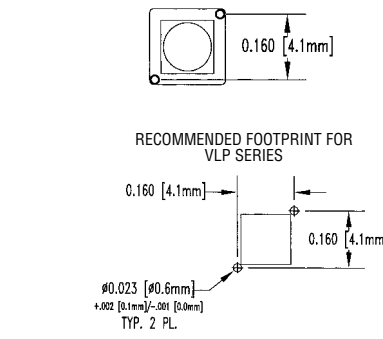
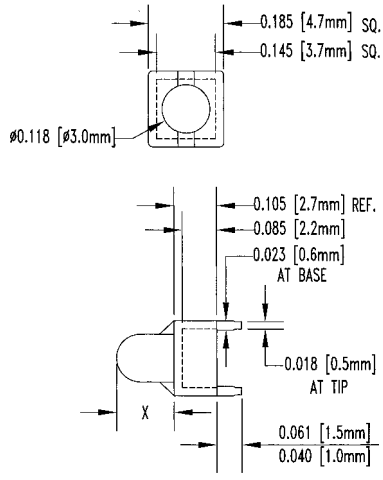


Vertical Light Pipes

VLP SERIES Vertical Light Pipes



- ◆ Protect Circuit From ESD
- ◆ Use With BivarOpto SM Series LEDs
- ◆ Round Or Flat Face Options

Light pipes are ideally suited for applications where light from a SMD LED is carried directly to a front panel or enclosure. Light pipes protect circuits from accidental damage from ESD by isolating the PCB from potential contact.

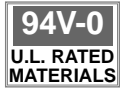
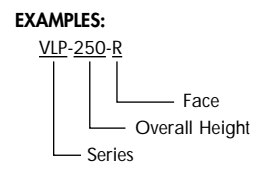
PART NO.	OVERALL HEIGHT	X = HEIGHT	FACE	PRICE CODE
VLP-200-R	0.200 (5.1)	0.095 (2.4)	R = Round	G
VLP-250-R	0.250 (6.4)	0.145 (3.7)	F = Flat	G
VLP-300-R	0.300 (7.6)	0.195 (5.0)		G
VLP-350-R	0.350 (8.9)	0.245 (6.2)		H
VLP-400-R	0.400 (10.2)	0.295 (7.5)		H
VLP-450-R	0.450 (11.4)	0.345 (8.8)		H
VLP-500-R	0.500 (12.7)	0.395 (10.0)		H
VLP-550-R	0.550 (13.9)	0.445 (11.5)		I

Material Specifications:
Clear Polycarbonate

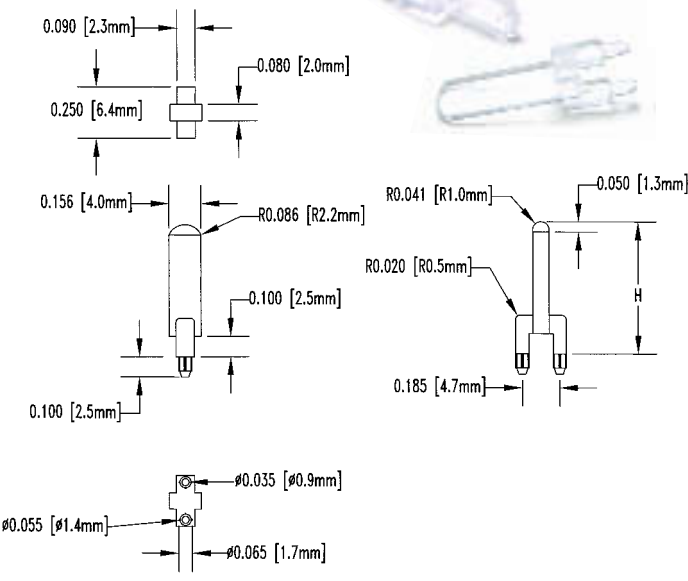
Oxygen Rating Index:
Over 28%

Standard Drawing Tolerances,
unless otherwise indicated:

Fractions	± 1/64 [.40]
.X	± 1/64 [.40]
.XX	± .010 [.254]
.XXX	± .005 [.127]



VLPR SERIES Vertical Rectangular Light Pipes



- ◆ Other Lengths Are Available
- ◆ Ideal For Bar Graph Arrays
- ◆ Works With All Bivar SM LEDs

Part Number	"H" Dimension
VLPR-24-500-2	0.500 (12.7mm)
VLPR-24-650-2	0.650 (16.5mm)

