



## PRIMARY-SIDE PUSH-PULL OSCILLATOR WITH DEAD-TIME CONTROL

### FEATURES

- Push-Pull Oscillator With Programmable Deadtime
- High-Current Totem-Pole Dual Output Stage Drives Push-Pull Configuration with 1-A Sink and 0.5-A Source Capability
- Can be Used in Push-Pull, Half-Bridge, or Full-Bridge Topologies
- Oscillator Synchronization Output
- Low Start-Up Current of 130  $\mu$ A and 1.4-mA Typical Run Current
- Over-Current Shutdown
- Digitally Controlled Over-Current/Retry Feature
- Undervoltage Lockout With Hysteresis

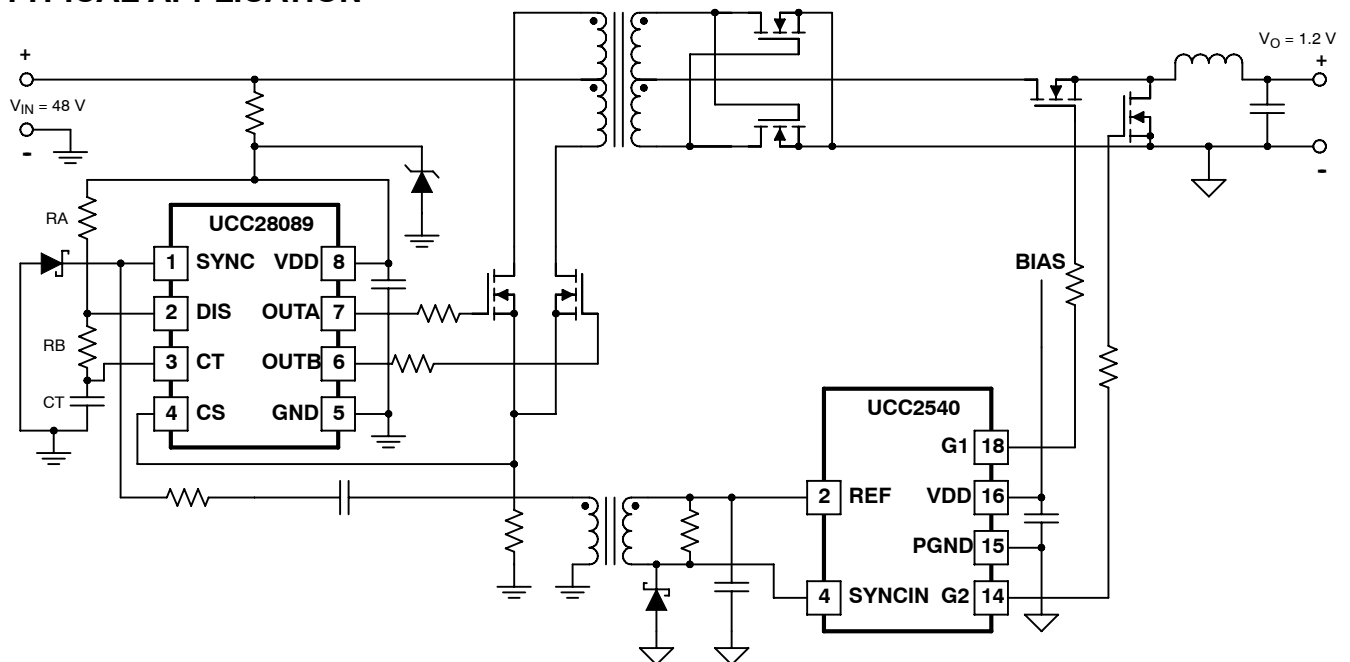
### APPLICATIONS

- High Efficiency Cascaded Converters
- Inverters
- Electronic Ballasts
- Uninterruptable Power Supplies (UPS)
- AC or DC Links

### DESCRIPTION

The UCC28089 is a versatile BiCMOS controller for dc-to-dc or off-line fixed-frequency switching power supplies. The UCC28089 has dual alternating output stages in dual-alternating push-pull configuration. Both outputs switch at half the oscillator frequency using a toggle flip-flop and duty cycle is limited to less than 50%.

### TYPICAL APPLICATION



UDG-04112



Please be aware that an important notice concerning availability, standard warranty, and use in critical applications of Texas Instruments semiconductor products and disclaimers thereto appears at the end of this data sheet.

PRODUCTION DATA information is current as of publication date. Products conform to specifications per the terms of Texas Instruments standard warranty. Production processing does not necessarily include testing of all parameters.

## DESCRIPTION (CONTINUED)

The UCC28089 is optimized for use as the primary-side companion controller for a cascaded converter that has secondary-side control. The device incorporates dead-time programming. The synchronization output also provides dead-time information. The retry and soft-start duration scales with the oscillator clock frequency for high performance fault recovery.

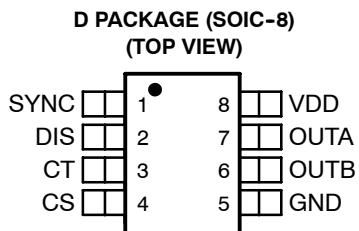
The UCC28089 also provides primary side under-voltage protection (UVLO), and over-current protection. Both the soft start and retry after fault durations scale with oscillator frequency for high performance. The turn-on/off UVLO thresholds are 10.5 V/8.0 V.

## ORDERING INFORMATION

TEMPERATURE RANGE $T_A = T_J$	PACKAGED DEVICES†
	SOIC-8 (D)
-40°C to 105°C	UCC28089D

† D (SOIC-8) package is available taped and reeled. Add R suffix to device type (e.g. UCC28089DR) to order quantities of 2,500 devices per reel (for D).

## CONNECTION DIAGRAM



**ABSOLUTE MAXIMUM RATINGS**over operating free-air temperature (unless otherwise noted)<sup>†‡</sup>

PARAMETER	SYMBOL	RATING	UNITS
Supply voltage ( $I_{DD} < 10$ mA)	$V_{DD}$	15	V
Supply current	$I_{DD}$	20	mA
OUTA/OUTB sink current (peak)	$I_{OUT(sink)}$	1.0	A
OUTA/OUTB source current (peak)	$I_{OUT(source)}$	-0.5	
SYNC sink current (peak)		50	mA
SYNC source current (peak)		-50	
Analog inputs (DIS, CT, CS)		-0.3 to $V_{DD} + 0.3$ , not to exceed 5	V
Power dissipation at $T_A = 25^\circ\text{C}$ (D package)		650	mW
Power dissipation at $T_A = 25^\circ\text{C}$ (DRB package)		TBD	
Junction operating temperature	$T_J$	-55 to 150	°C
Storage temperature	$T_{stg}$	-65 to 150	
Lead temperature (soldering, 10 sec.)	$T_{sol}$	+300	

<sup>†</sup> Stresses beyond those listed under "absolute maximum ratings" may cause permanent damage to the device. These are stress ratings only, and functional operation of the device at these or any other conditions beyond those indicated under "recommended operating conditions" is not implied. Exposure to absolute-maximum-rated conditions for extended periods may affect device reliability.

<sup>‡</sup> All voltages are with respect to GND. Currents are positive into, negative out of the specified terminal. Consult Packaging Section of the Databook for thermal limitations and considerations of packages.

**RECOMMENDED OPERATION CONDITIONS**

Parameter	Symbol	MIN	TYP	MAX	UNITS
Supply voltage ( $I_{DD} < 10$ mA)	$V_{DD}$	8.5		14	V
SYNC sink current (peak)		0	10	25	mA
SYNC source current (peak)		-25	-10	0	
Analog inputs (DIS, CT, CS)		0		4	V
Timing capacitor range	CT	100		100,000	pF
Timing charge resistor range	RA	32		750	k $\Omega$
Discharge resistor range	RB	0		250	
Timing charge current	$I_{CHG(RA+RB)}$	10		300	$\mu\text{A}$
Switching Frequency	$f_{SW}$			1000	kHz
Junction temperature	$T_J$	-40		105	°C

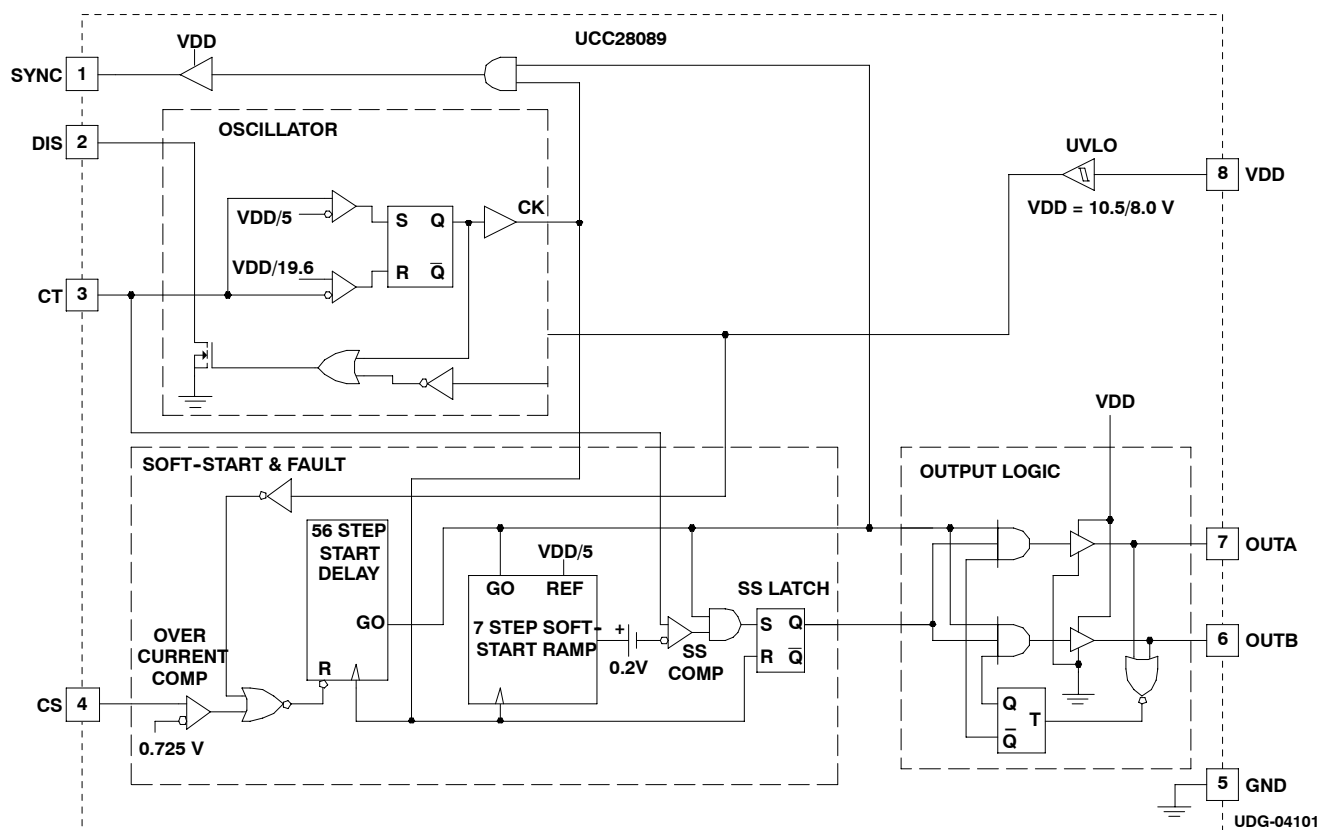
## ELECTRICAL CHARACTERISTICS:

$T_A = -40^\circ\text{C}$  to  $105^\circ\text{C}$  for UCC28089,  $V_{DD} = 9\text{ V}$  (see Note 1),  $1\ \mu\text{F}$  capacitor from VDD to GND,  $R_A = 110\ \text{k}\Omega$ ,  $R_B = 182\ \Omega$ ,  $C_T = 220\ \text{pF}$ ,  $T_A = T_J$ , (unless otherwise noted).

PARAMETER	TEST CONDITION	MIN	TYP	MAX	UNITS
<b>Overall Section</b>					
Startup current	VDD < UVLO start threshold (see Note 2)		130	260	$\mu\text{A}$
Operating supply current	CS = 0 V, (see Note 1, Note 2)		1.4	2.0	mA
<b>Undervoltage Lockout</b>					
Start threshold	See Note 1	9.5	10.5	11.5	V
Minimum operating voltage after start		7.4	8.0	8.4	
Hysteresis		2.1	2.5	2.9	
<b>Oscillator</b>					
Oscillator frequency	2 x OUTx frequency, Measured at output(s)	180	200	220	kHz
<b>Current Sense</b>					
Current Shutdown threshold	Resetting current limit	0.650	0.725	0.800	V
CS to output delay	CS from 0 mV to 900 mV		45	100	ns
<b>Output</b>					
Dead Time	Measured at OUTA or OUTB	90	100	110	ns
	Over temperature	80		125	
Minimum duty cycle	CS = 0.9 V			0	%
VOL (OUTA or OUTB)	$I_{OUT} = 75\ \text{mA}$		0.5	1	V
VOH (OUTA or OUTB)	$I_{OUT} = -35\ \text{mA}$ , (VDD - VOUT)		1.0	1.3	
Output resistance high	$T_A = 25^\circ\text{C}$ $I_{OUT} = -1\ \text{mA}$ (see Note 4)	70	80	90	$\Omega$
	$T_A = \text{full range}$ $I_{OUT} = -1\ \text{mA}$ (see Note 4)	40	80	135	
Output resistance low	$T_A = 25^\circ\text{C}$ $I_{OUT} = 1\ \text{mA}$ (see Note 4)	6.5	7.5	8.5	
	$T_A = \text{full range}$ $I_{OUT} = 1\ \text{mA}$ (see Note 4)	4	7.5	14	
tr, Rise Time	$C_{LOAD} = 1\ \text{nF}$		28	50	ns
tf, Fall Time	$C_{LOAD} = 1\ \text{nF}$		13	30	
<b>SYNC</b>					
SYNC duration	Measured at SYNC pin	75	95	115	ns
tr, delay	Rising SYNC until falling OUTA or OUTB	0	8.5	30	
tf, delay	Falling SYNC until rising OUTA or OUTB	0	14	50	
SYNC $V_{OH}$	$I_{SYNC} = -5\ \text{mA}$ (VDD - VSYNC)		0.3	1	V
SYNC $V_{OL}$	$I_{SYNC} = 5\ \text{mA}$		0.3	1	
tr, Rise Time	$C_{LOAD} = 100\ \text{pF}$		15	30	ns
tf, Fall Time	$C_{LOAD} = 100\ \text{pF}$		15	30	
<b>Soft Start &amp; Fault</b>					
OUTA/OUTB start delay time	Cycles as measured at CT pin	57	59	62	cycles
OUTA/OUTB soft start duration	First output stage cycle to first full output stage cycle, CS $\leq 0.6\ \text{V}$	4	5	7	

- NOTES: 1. Set VDD above the start threshold before setting at 9V.  
 2. Does not include current of the external oscillator network.  
 3. Ensured by design. Not 100% tested in production.  
 4. The pullup / pulldown circuits of the driver are bipolar and MOSFET transistors in parallel. The output resistance is the RDS(ON) of the MOSFET transistor when the voltage of the driver output is less than the saturation voltage of the bipolar transistor.

FUNCTIONAL BLOCK DIAGRAM



PIN #	NAME	I/O	FUNCTION
1	SYNC	O	Active when OUTA and OUTB are active, logic LO at all other times such as during under-voltage lock-out and over-current shutdown. When active, SYNC is logic HI (VDD) during the discharge time of the oscillator and logic LO (GND) at all other times. The pulse occur during the dead time.
2	DIS	I	Separate oscillator timing capacitor discharge pin that allows the dead time to be externally programmed.
3	CT	I	Oscillator timing capacitor connection.
4	CS	I	Current sense pin. An over current shutdown event is triggered when the voltage of this pin rises above 0.75 V.
5	GND	-	Ground pin. Analog and digital signals reference this pin and output drivers return current through this pin
6	OUTB	O	Driver output, capable of sinking 1 A and sourcing 0.5 A. OUTB signal alternates with OUTA.
7	OUTA	O	Driver output, capable of sinking 1 A and sourcing 0.5 A. OUTA signal alternates with OUTB.
8	VDD	I	Power input connection for this device.

APPLICATION INFORMATION

UCC28089 is an alternating dual-driver output oscillator with over-current and under-voltage fault protection. This feature set is ideal as a start-up controller for isolated power systems where the majority of control functions are performed on the secondary side. This device is especially useful for dc link for topologies such as the cascaded buck converter [1], ac link inverter topologies [2], and inexpensive modified square wave inverters. The UCC28089 has a brief 5 to 7 cycle leading-edge modulated soft-start cycle so that it will not interfere with secondary-side controlled soft start. Both systems with off-line self bias and auxiliary bias supplies are more fault tolerant with the UCC28089 because it consistently responds to a fault with a delay of at least 56 oscillator cycles before retry.

Detailed Functional Description

**VDD:** Power input connection for this device. Although quiescent VDD current is very low, total supply current is higher, depending on OUTA and OUTB current and the programmed oscillator frequency. During fault response, the current drops to a lower level because the oscillator is disabled.

In order to avoid noise problems, position a 1- $\mu$ F ceramic bypass capacitor, connected from VDD to GND, as close to the chip as possible. The ceramic bypass capacitor is in addition to any energy storage capacitance that would be used to hold up the VDD voltage during start-up transients.

**GND:** Ground pin. Analog signals reference this pin and output drivers return current through this pin. For best results, use this pin as a local ground point in a star ground configuration.

**OUTA and OUTB:** Output drivers capable of sinking 1 A and sourcing 0.5 A. The output pulse alternates between OUTA and OUTB. In addition, a T latch forces the output pulses to alternate in order to reduce flux build up in a transformer during low duty ratio operation. Each output is capable of driving the gate of a power MOSFET.

**CT and DIS:** Oscillator timing capacitor pin and timing capacitor discharge pin. The UCC28089 oscillator tracks VDD and GND internally in order to minimize oscillator frequency changes due to variations in the voltage of VDD. Figure 1 shows the oscillator block diagram.

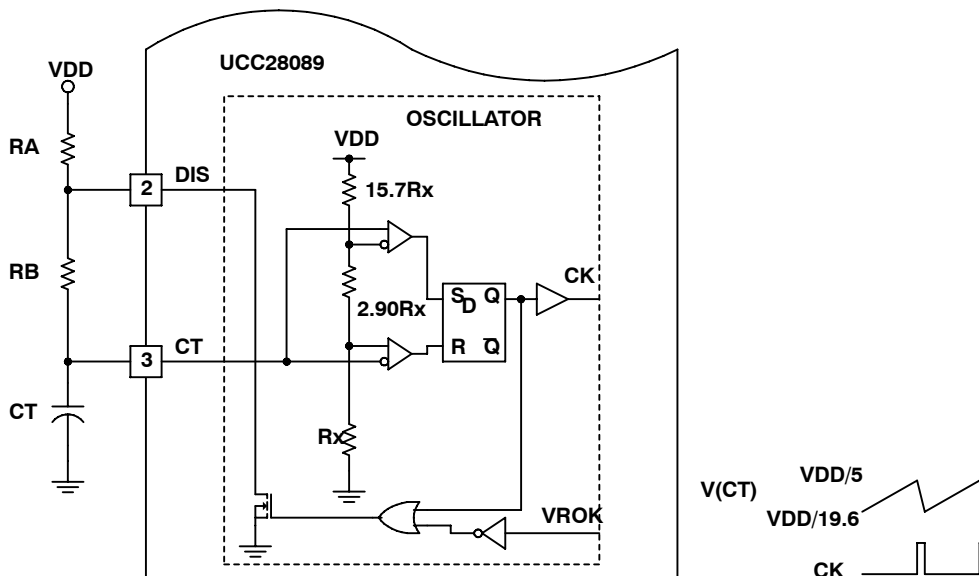


Figure 1. Block Diagram for Oscillator

## APPLICATION INFORMATION

The recommended oscillator frequency range is up to 1 MHz. In order to avoid noise issues,  $R_A$  and  $R_B$  should be small enough for the oscillator to have at least 10  $\mu$ A of current. There are two sets of oscillator programming equations that model the oscillator over its wide programming range. Measure the charge and the discharge times at the SYNC pin in order to avoid affecting the oscillator with probe impedances or output driver delays.

The approximate first order equations in the table are adequate for switching frequencies below 50 kHz and/or discharge times that are greater than 1  $\mu$ s. The specific requirements for using the first order equations versus the second order equations are related to the timing capacitor size and the discharge resistor. Keep in mind that the 1st order equations and 2nd order equations are merely approximations that are typically within +/-20% of the actual operating point. The frequency, charge and discharge times are relatively insensitive to temperature but larger values of  $C_T$  and  $R_B$  exhibit the least sensitivity to temperature. Incidentally, the second order equations apply for the operating conditions that are in the Electrical Characteristics table. The oscillator frequency is set according to the following equations:

	1 <sup>ST</sup> ORDER EQUATIONS	2 <sup>ND</sup> ORDER EQUATIONS
Condition	$R_A > 300 \text{ k}\Omega$ AND $C_T > 300 \text{ pF}$	$32 \text{ k}\Omega < R_A < 300 \text{ k}\Omega$ OR $100 \text{ pF} < C_T < 300 \text{ pF}$
$T_{\text{CHARGE}}$	$0.169(R_A + R_B)C_T$	$0.175(R_A + R_B)(C_T + 40 \text{ pF}) + 20 \text{ ns}$
$T_{\text{DISCHARGE}}$	$1.36 R_B C_T$	$(1.37)(R_B + 44)(C_T + 14 \text{ pF}) + 20 \text{ ns}$
$f_{\text{OSC}}$	$\frac{5.9}{(R_A + 8.0 R_B)C_T}$	$\frac{1}{T_{\text{CHARGE}} + T_{\text{DISCHARGE}}}$

Where  $R_A$  and  $R_B$  are in Ohms;  $C_T$  is in Farads;  $f_{\text{OSC}}$  is in Hz;  $t_{\text{CHARGE}}$  and  $t_{\text{DISCHARGE}}$  are in seconds.

The oscillator is optimized for a  $C_T$  timing capacitor range from 100 pF to 1000 nF and  $R_B$  more than 100  $\Omega$ . If the shortest discharge time possible is desired, it is permissible to short DIS to  $C_T$  for all recommended  $C_T$  values (100 pF to 0.100  $\mu$ F).

**SYNC:** This SYNC pin produces an output pulse from 0 to VDD that can be used to synchronize a secondary side-buck controller to the free running isolating power stage. The proper timing of this signal enables zero voltage switching on the primary side MOSFETs. The clean signal also solves a problem of getting a synchronization signal from the secondary side of the transformer, which can have leakage inductance voltage spikes that may cause false triggering. The SYNC pulse width is the oscillator discharge time, which is approximately equal to the dead time. Pulse frequency is the oscillator frequency. During fault conditions, the SYNC pulses are terminated and the SYNC output is held low for at least 56 oscillator cycles. During soft start, SYNC precedes the first output pulse by at least one oscillator cycle.

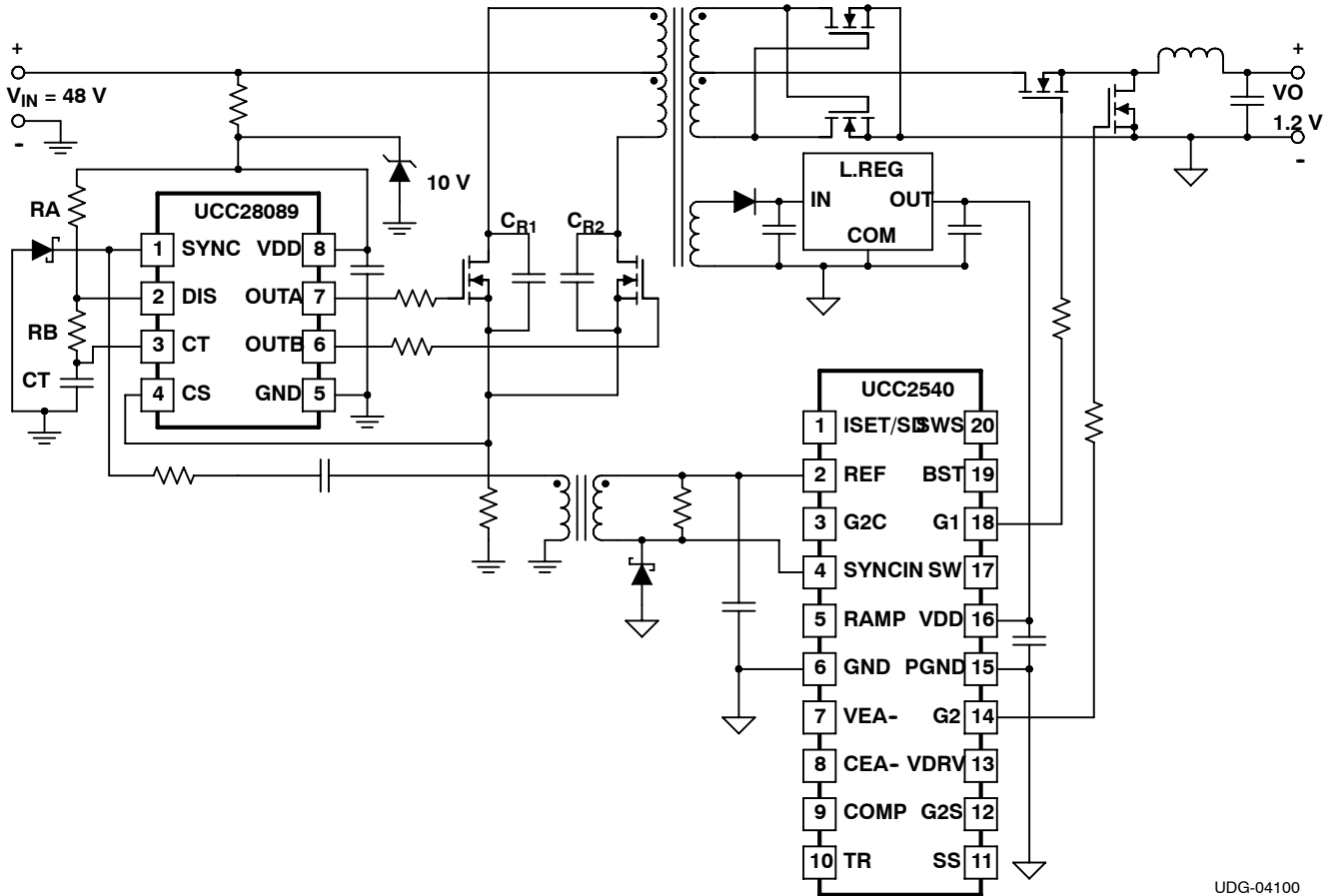
**CS:** Connect the current sense device to this pin. A voltage threshold of 0.725 V triggers a shutdown sequence.

An over-current fault triggers an immediate shutdown. After the fault clears, a total of 64 oscillator cycles are required for an entire soft start sequence to occur. First, the outputs and SYNC are kept OFF for at least 56 oscillator cycles. Next, after one or two SYNC pulses, the soft start progressively increases the output duty ratio over the next five to seven oscillator cycles.

APPLICATION INFORMATION

Using the UCC28089 as the Primary-Side start-up Controller in a Cascaded Push-Pull Buck Two-Stage Converter

The cascaded push-pull topology is ideal for converting from moderate bus voltages, such as 48-V telecom buses, to sub 2-V output voltages. The general topology is shown in Figure 2 using the UCC28089 as the primary-side start-up controller and the UCC2540 as the secondary-side regulator [3].



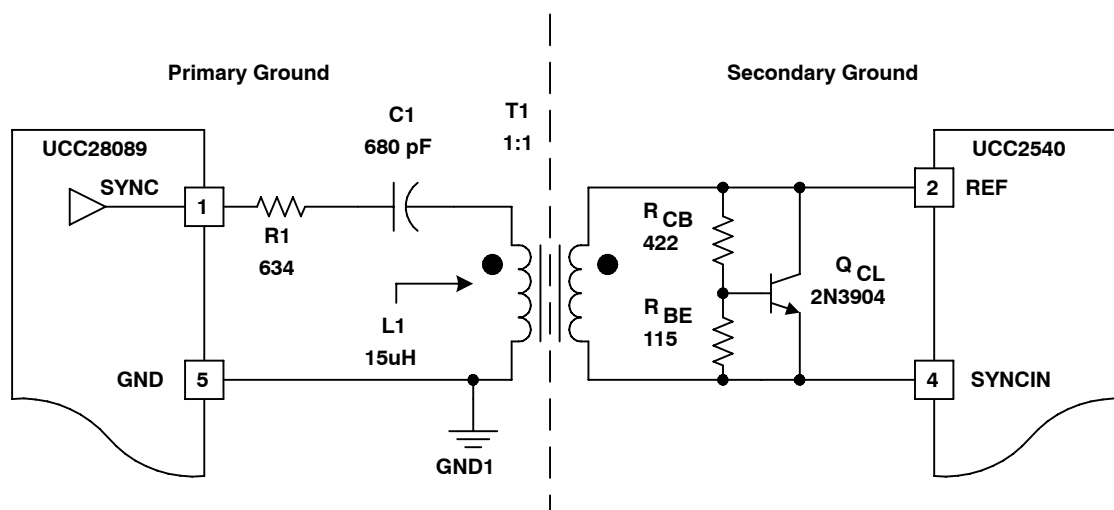
UDG-04100

Figure 2. Cascaded Push-Pull Buck Two-Stage Converter

## APPLICATION INFORMATION

Program the oscillator frequency of the UCC28089 to equal the desired switching frequency of the output post regulator. The secondary-side controller may also need corresponding switching frequency programming, such as RAMP and G2C capacitor values for the UCC2540. Program the dead time to be approximately 1/4 of the resonant period of the equivalent parasitic L-C circuit that is established by the primary leakage inductance of the transformer and the total drain-source capacitance of the primary-side power MOSFET transistors ( $C_{OSS}$  + stray capacitances). Remember that  $C_{OSS}$  predictably varies over input line voltage. If the variation is too great and/or 1/4 the resonant period is less than 100 ns, connect additional capacitance ( $C_{R1}$  and  $C_{R2}$  in Figure 2) between the drain and source of the primary transistors, which stabilizes the capacitance and raise the total capacitance value.

If the secondary-side controller is compatible with pulse edges, the pulse edge transformer circuit in Figure 3 can provide an isolated pulse edge signal on the secondary side using a transformer core that is 6-mm diameter or less. The recommended transformer (COEV #MGBBT-0001101) is compatible with all switching frequencies and it is smaller than many opto-isolators.



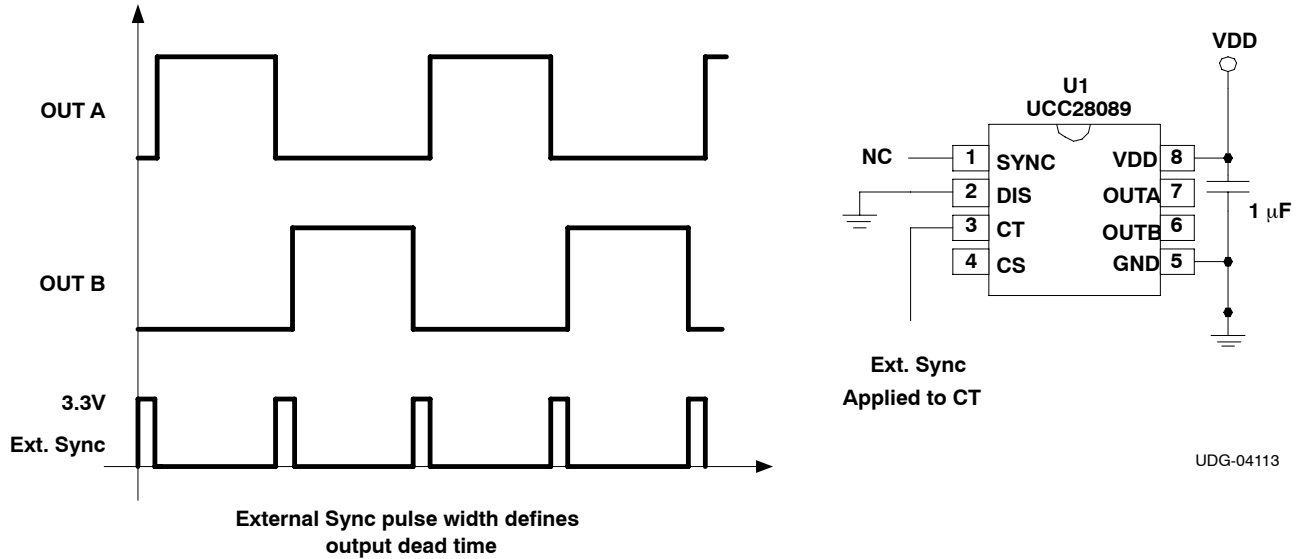
**Figure 3. Isolation and clamping the SYNC signal for Cascaded Buck Converters**

Notice that the peak-pulse voltage is proportional to the UCC28089 bias voltage. The circuit in Figure 3 is well suited to the full VDD bias voltage range of the UCC28089 bias voltage because it has a clamp circuit. The clamp circuit in Figure 3 ( $R_{CB}$ ,  $R_{BE}$  and  $Q_{CL}$ ) is a  $V_{BE}$  clamp rather than a Zener diode. A  $V_{BE}$  clamp is used here because it has much lower capacitance than typical Zener diodes so that the clamp does not affect the narrow 50-ns pulse width. The clamp may be replaced by a single resistor in applications, as in Figure 2, where the VDD bias voltage of the UCC28089 is regulated within a  $\pm 5\%$  window.

**APPLICATION INFORMATION**

**Synchronization of Multiple UCC28089 Controllers to an External Signal**

In systems where multiple UCC28089 parts need to be synchronized to a common clock, a 3.3-V logic-level signal can be directly applied to the CT pin (the SYNC pin on UCC28089 only provides output sync signals). As shown in Figure 4, the externally supplied sync pulse width determines the frequency and the dead time between OUT A and OUT B. In this configuration, the discharge pin DIS should be grounded since it is not used. The external sync signal should exceed the oscillator trip level of  $V_{DD}/5$  when high, and pull CT below  $V_{DD}/20$  when low.



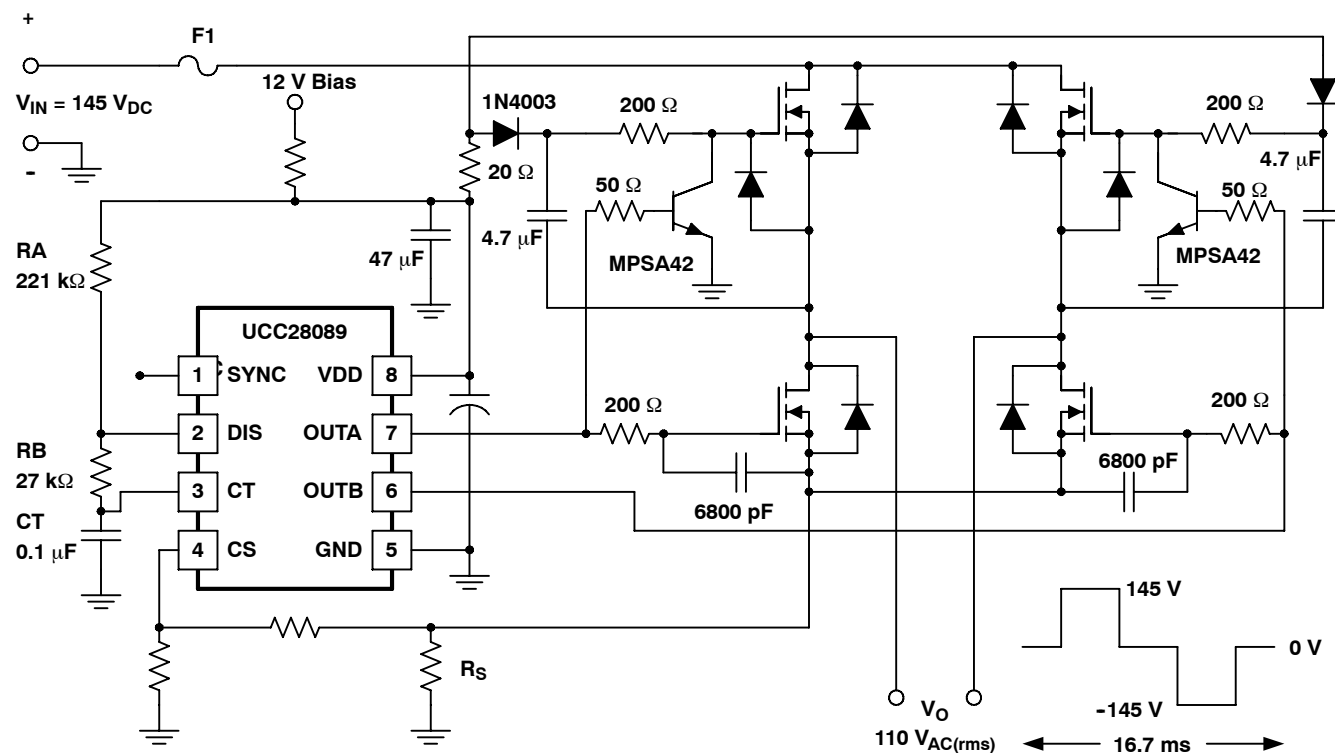
**Figure 4. Synchronizing the UCC28089 to an External Signal**

UDG-04113

## APPLICATION INFORMATION

## Using the UCC28089 as a Modified Square Wave Inverter

Remote or dc-only power systems often require a limited amount of 60-Hz ac line power to supply small appliances. Compatible loads include universal motors, incandescent lamps, and other electronic devices with switched mode power supplies to convert the 110-V<sub>AC</sub> to lower dc voltages. Many of these devices do not require a perfect sinusoidal line voltage, and acceptable performance can be obtained with a modified square wave voltage. Using the circuit in Figure 5, the UCC28089 can provide the appropriate waveform along with primary side over-current protection. Components RA, RB, and CT are selected to program the desired modified square waveform with the appropriate dead time.



NOTE: CS signal should be selected to limit peak inrush current to acceptable levels.

UDG-04105

Figure 5. Modified Square Wave Inverter

The high-side gate drives of the inverter in Figure 5 are suitable for low frequency applications with relatively constant duty ratio. The NPN transistors and the charge pump diodes on the high-side gate drives must be rated for high voltage (at least 145 V + V<sub>DD</sub>). The gates are protected from excessive negative voltage by the diodes shown from gate to source.

APPLICATION INFORMATION

If desired, the 60-Hz modified square wave inverter frequency could be programmed using an external sync signal that might originate from a separate oscillator or digital controller. The following diagram in Figure 6 shows a 50% duty cycle square wave fed into the CT pin, with a frequency of 120 Hz, and the resulting OUTA/OUTB wave shapes.

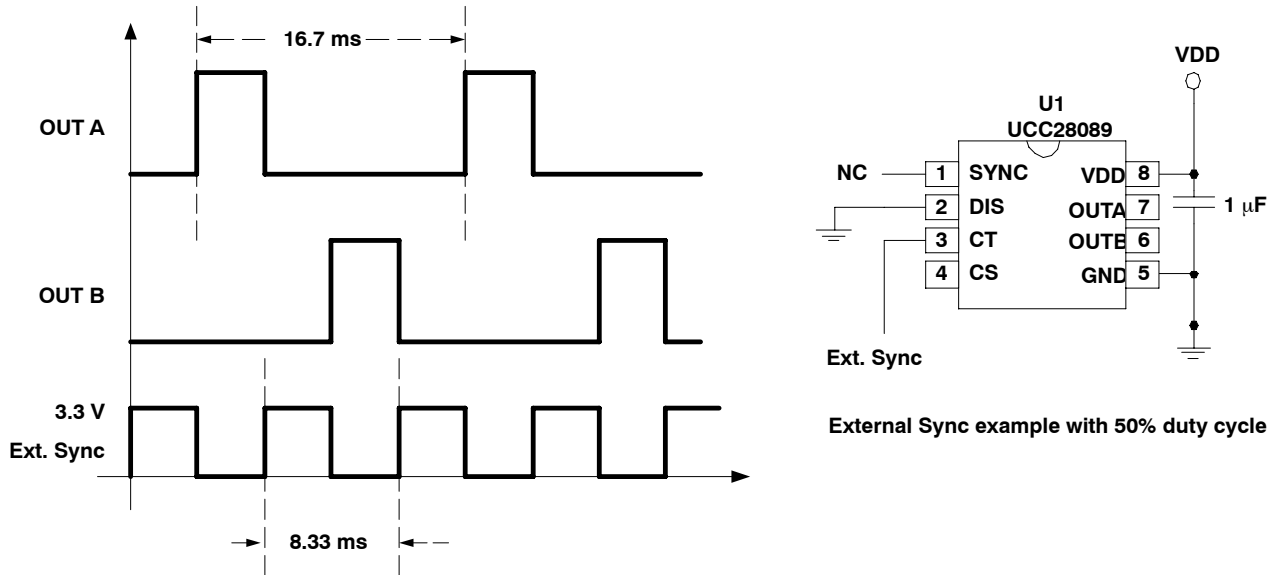


Figure 6. External Synchronization Example with 50% Duty Cycle Square Wave

RELATED PRODUCTS

DEVICE	DESCRIPTION
UCC2540	High-Efficiency Secondary-Side Synchronous-Buck PWM Controller

TYPICAL CHARACTERISTICS

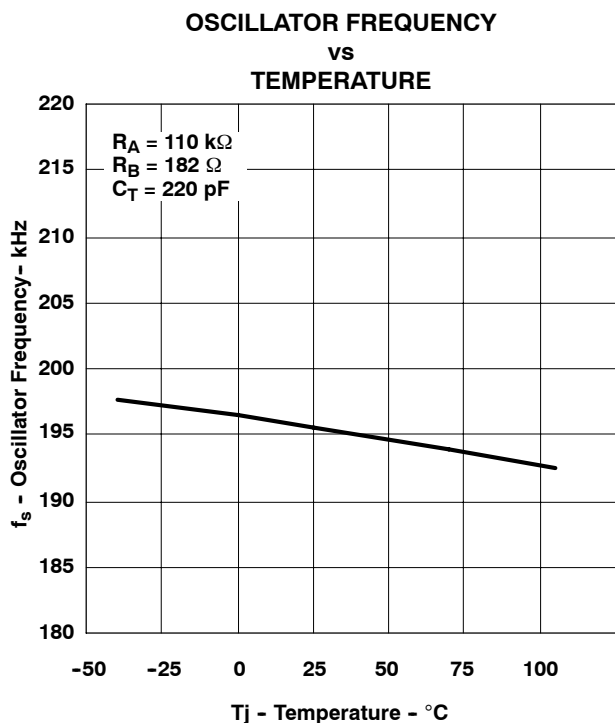


Figure 7

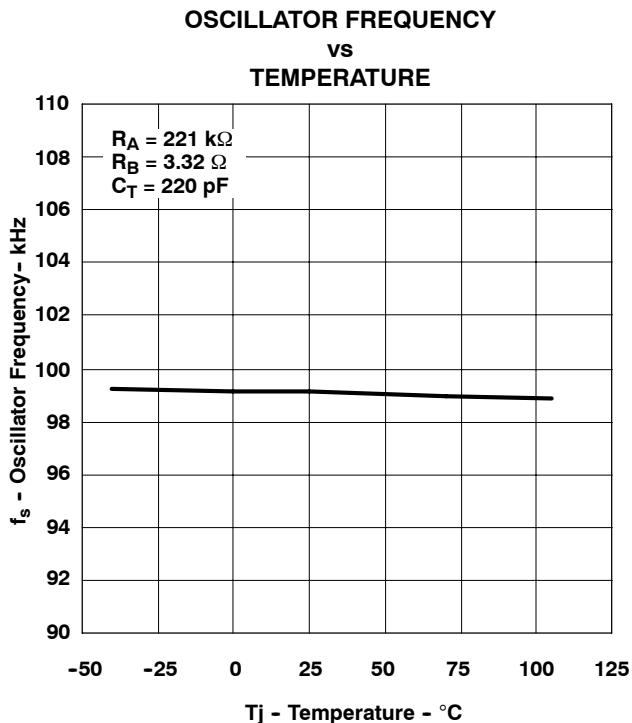


Figure 8

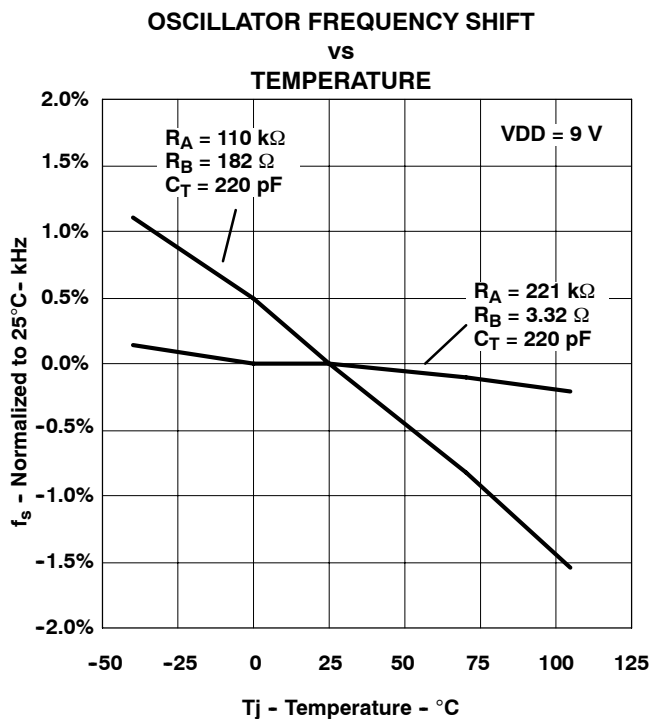


Figure 9

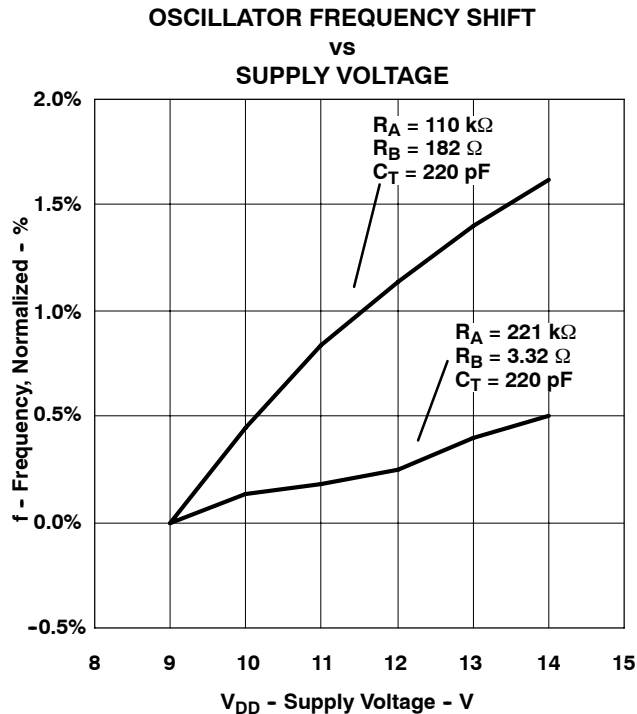
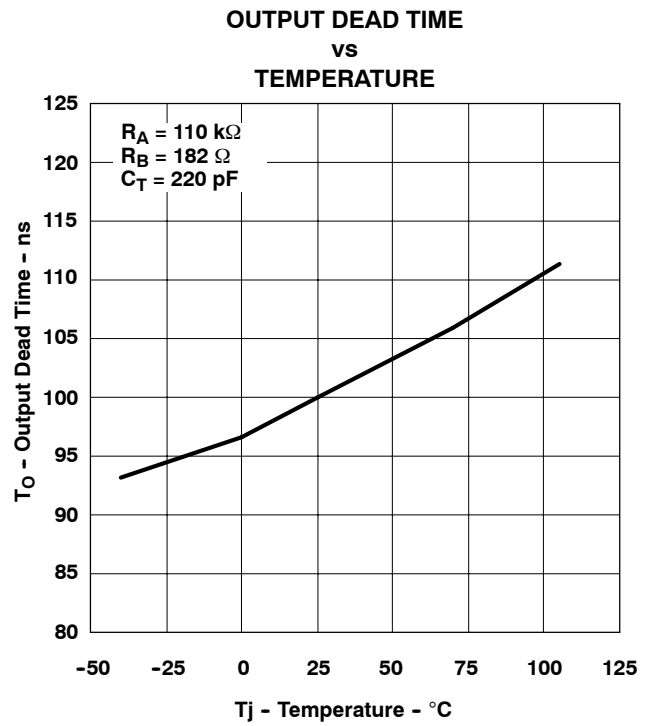
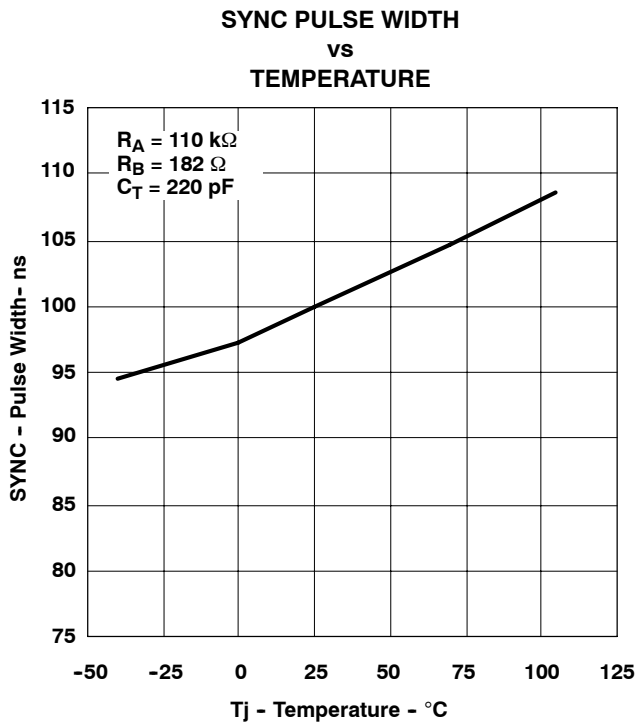
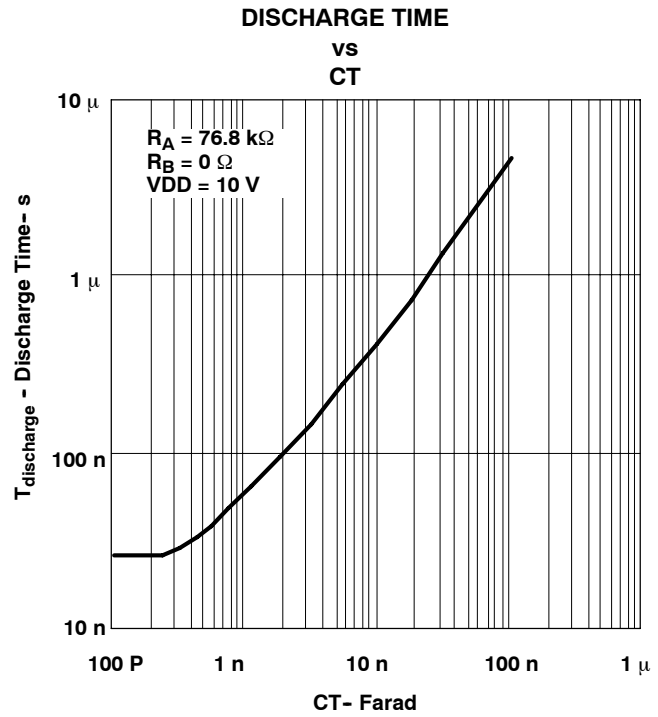
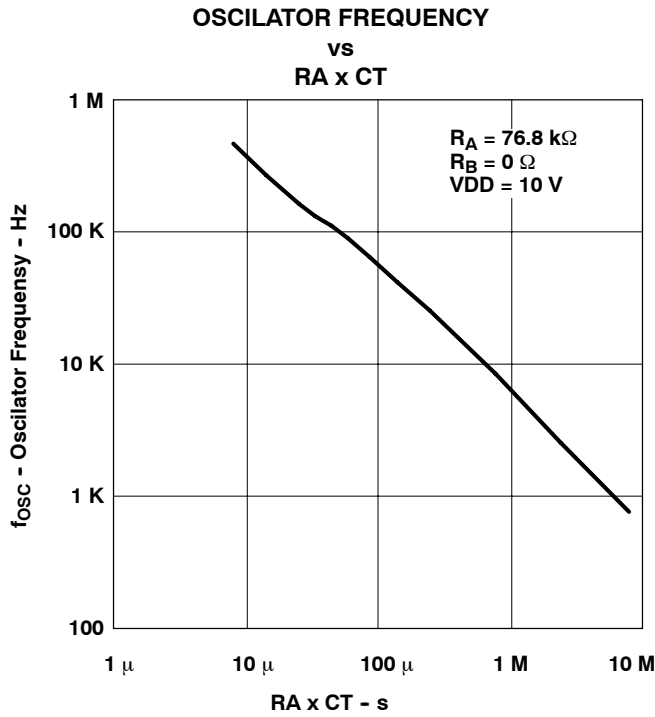


Figure 10

TYPICAL CHARACTERISTICS



PROPAGATION DELAY (SYNC RISE TO OUTPUT FALL)  
vs  
TEMPERATURE

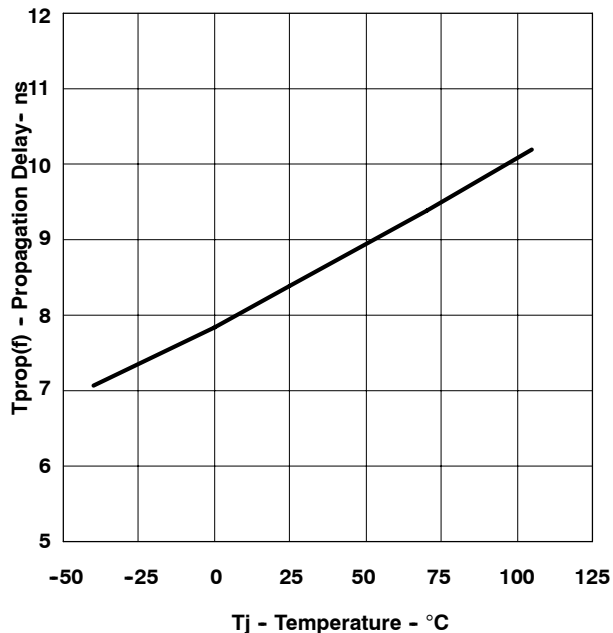


Figure 15

PROPAGATION DELAY (SYNC FALL TO OUTPUT RISE)  
vs  
TEMPERATURE

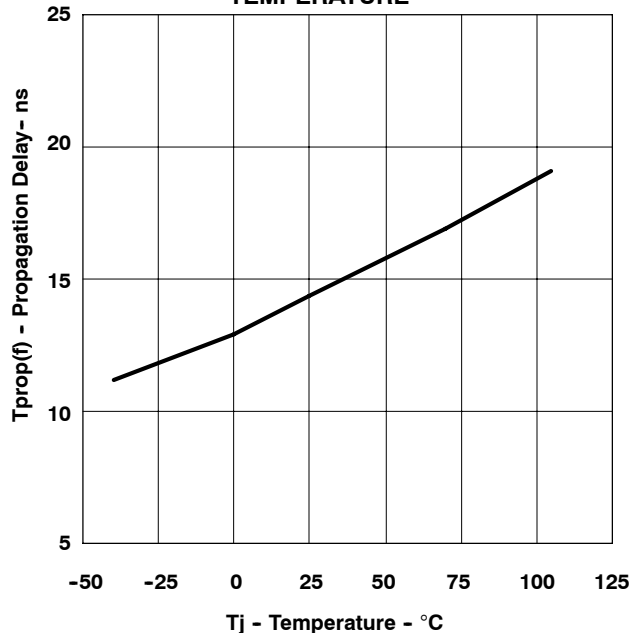


Figure 16

OSCILLATOR DISCHARGE ON-RESISTANCE  
vs  
TEMPERATURE

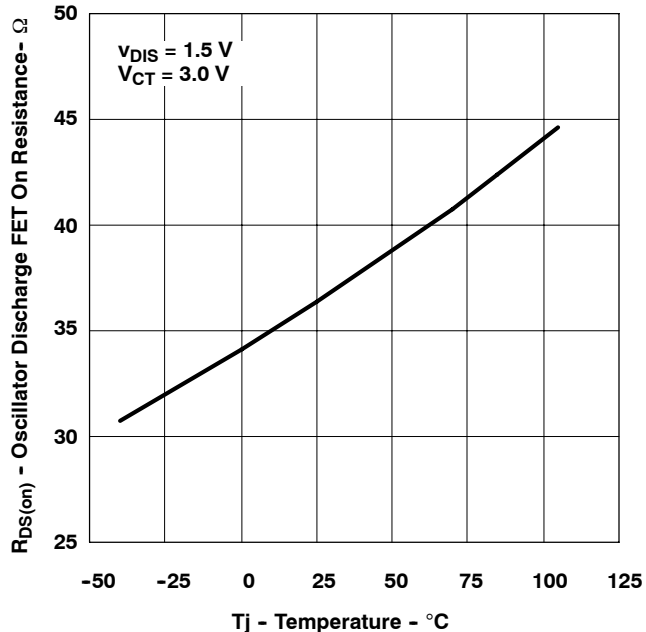


Figure 17

CURRENT SENSE THRESHOLD  
vs  
TEMPERATURE

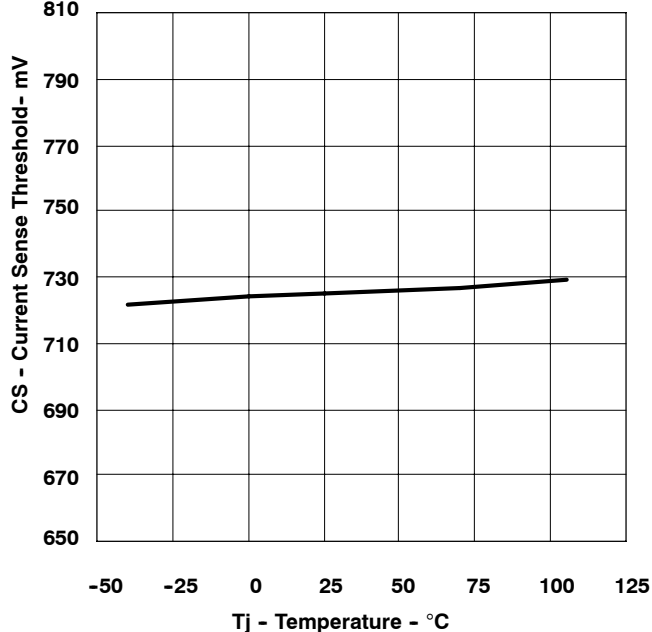


Figure 18

TYPICAL CHARACTERISTICS

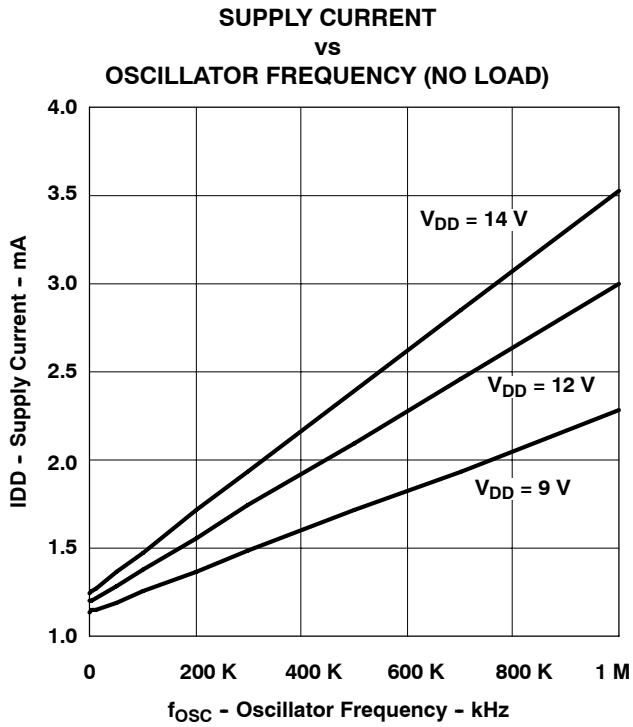


Figure 19

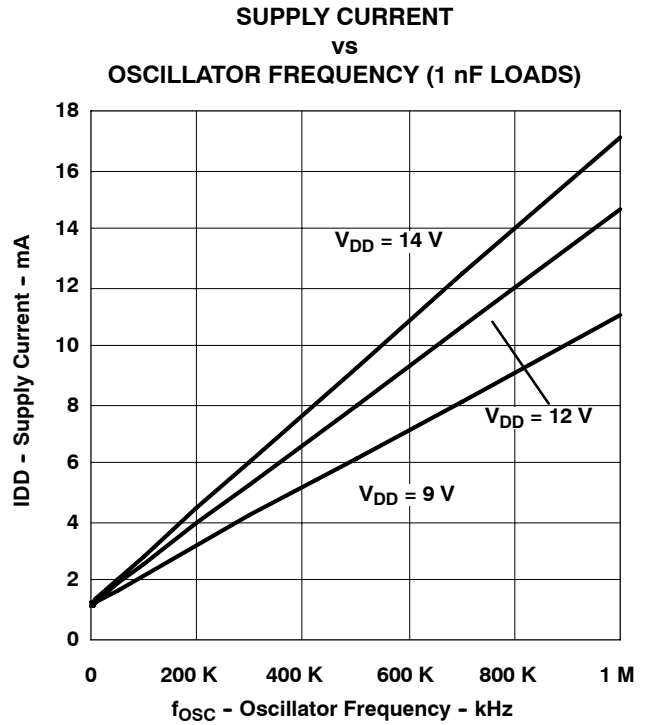


Figure 20

TYPICAL SOFT START WAVEFORMS

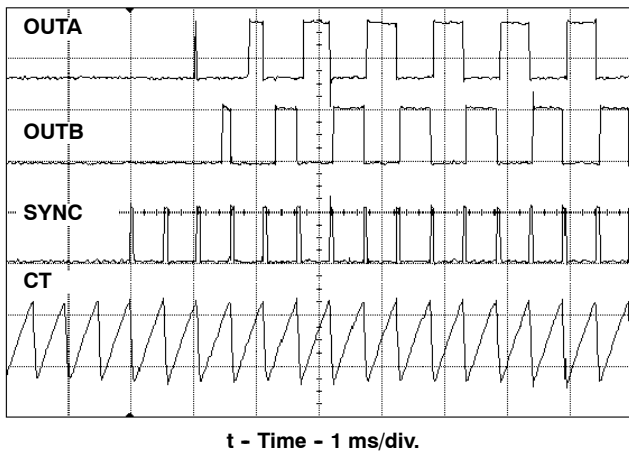


Figure 21

TYPICAL OVERALL START-UP WAVEFORMS

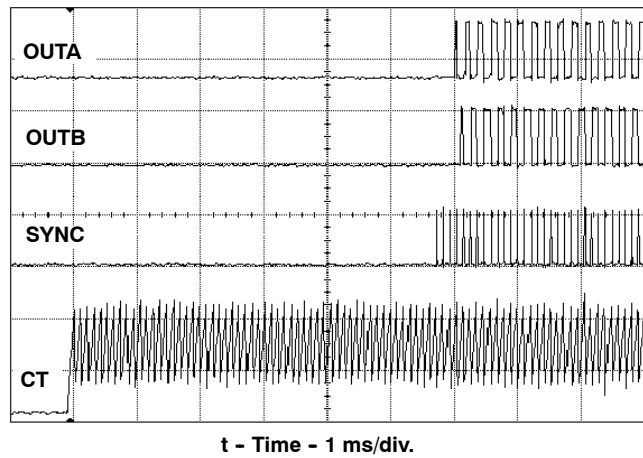


Figure 22

**REFERENCES**

1. Power Supply Seminar SEM-1300 Topic 1: *Unique Cascaded Power Converter Topology for High Current Low Output Voltage Applications*, by L. Balogh, C. Bridge and B. Andreyca, Texas Instruments Literature No. SLUP133
2. *Low Cost Inverter Suitable for Medium-Power Fuel Cell Sources*, by P.T. Krein and R Balog, IEEE Power Electronics Specialists Conference Proceedings, 2002, vol. 1, pp. 321-326.
3. Datasheet, UCC2540 *High-Efficiency Secondary-Side Synchronous-Buck PWM Controller*, Texas Instruments Literature No. SLUS539

**PACKAGING INFORMATION**

Orderable Device	Status <sup>(1)</sup>	Package Type	Package Drawing	Pins	Package Qty	Eco Plan <sup>(2)</sup>	Lead/Ball Finish	MSL Peak Temp <sup>(3)</sup>
UCC28089D	ACTIVE	SOIC	D	8	75	Green (RoHS & no Sb/Br)	CU NIPDAU	Level-1-260C-UNLIM
UCC28089DG4	ACTIVE	SOIC	D	8	75	Green (RoHS & no Sb/Br)	CU NIPDAU	Level-1-260C-UNLIM
UCC28089DR	ACTIVE	SOIC	D	8	2500	Green (RoHS & no Sb/Br)	CU NIPDAU	Level-1-260C-UNLIM
UCC28089DRG4	ACTIVE	SOIC	D	8	2500	Green (RoHS & no Sb/Br)	CU NIPDAU	Level-1-260C-UNLIM

<sup>(1)</sup> The marketing status values are defined as follows:

**ACTIVE:** Product device recommended for new designs.

**LIFEBUY:** TI has announced that the device will be discontinued, and a lifetime-buy period is in effect.

**NRND:** Not recommended for new designs. Device is in production to support existing customers, but TI does not recommend using this part in a new design.

**PREVIEW:** Device has been announced but is not in production. Samples may or may not be available.

**OBSOLETE:** TI has discontinued the production of the device.

<sup>(2)</sup> Eco Plan - The planned eco-friendly classification: Pb-Free (RoHS), Pb-Free (RoHS Exempt), or Green (RoHS & no Sb/Br) - please check <http://www.ti.com/productcontent> for the latest availability information and additional product content details.

**TBD:** The Pb-Free/Green conversion plan has not been defined.

**Pb-Free (RoHS):** TI's terms "Lead-Free" or "Pb-Free" mean semiconductor products that are compatible with the current RoHS requirements for all 6 substances, including the requirement that lead not exceed 0.1% by weight in homogeneous materials. Where designed to be soldered at high temperatures, TI Pb-Free products are suitable for use in specified lead-free processes.

**Pb-Free (RoHS Exempt):** This component has a RoHS exemption for either 1) lead-based flip-chip solder bumps used between the die and package, or 2) lead-based die adhesive used between the die and leadframe. The component is otherwise considered Pb-Free (RoHS compatible) as defined above.

**Green (RoHS & no Sb/Br):** TI defines "Green" to mean Pb-Free (RoHS compatible), and free of Bromine (Br) and Antimony (Sb) based flame retardants (Br or Sb do not exceed 0.1% by weight in homogeneous material)

<sup>(3)</sup> MSL, Peak Temp. -- The Moisture Sensitivity Level rating according to the JEDEC industry standard classifications, and peak solder temperature.

**Important Information and Disclaimer:**The information provided on this page represents TI's knowledge and belief as of the date that it is provided. TI bases its knowledge and belief on information provided by third parties, and makes no representation or warranty as to the accuracy of such information. Efforts are underway to better integrate information from third parties. TI has taken and continues to take reasonable steps to provide representative and accurate information but may not have conducted destructive testing or chemical analysis on incoming materials and chemicals. TI and TI suppliers consider certain information to be proprietary, and thus CAS numbers and other limited information may not be available for release.

In no event shall TI's liability arising out of such information exceed the total purchase price of the TI part(s) at issue in this document sold by TI to Customer on an annual basis.

**TAPE AND REEL INFORMATION**



**QUADRANT ASSIGNMENTS FOR PIN 1 ORIENTATION IN TAPE**



\*All dimensions are nominal

Device	Package Type	Package Drawing	Pins	SPQ	Reel Diameter (mm)	Reel Width W1 (mm)	A0 (mm)	B0 (mm)	K0 (mm)	P1 (mm)	W (mm)	Pin1 Quadrant
UCC28089DR	SOIC	D	8	2500	330.0	12.4	6.4	5.2	2.1	8.0	12.0	Q1

**TAPE AND REEL BOX DIMENSIONS**

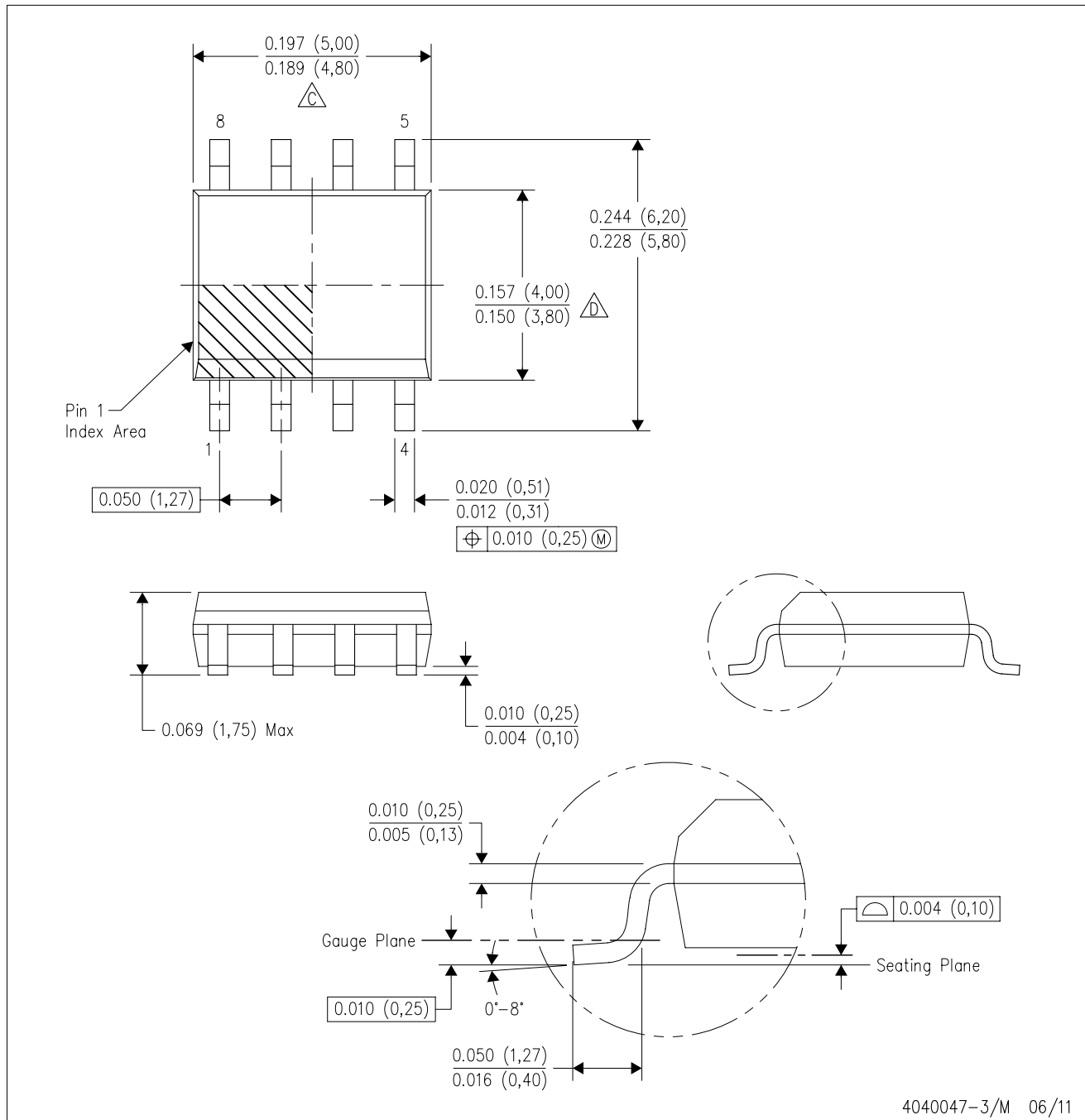


\*All dimensions are nominal

Device	Package Type	Package Drawing	Pins	SPQ	Length (mm)	Width (mm)	Height (mm)
UCC28089DR	SOIC	D	8	2500	346.0	346.0	29.0

D (R-PDSO-G8)

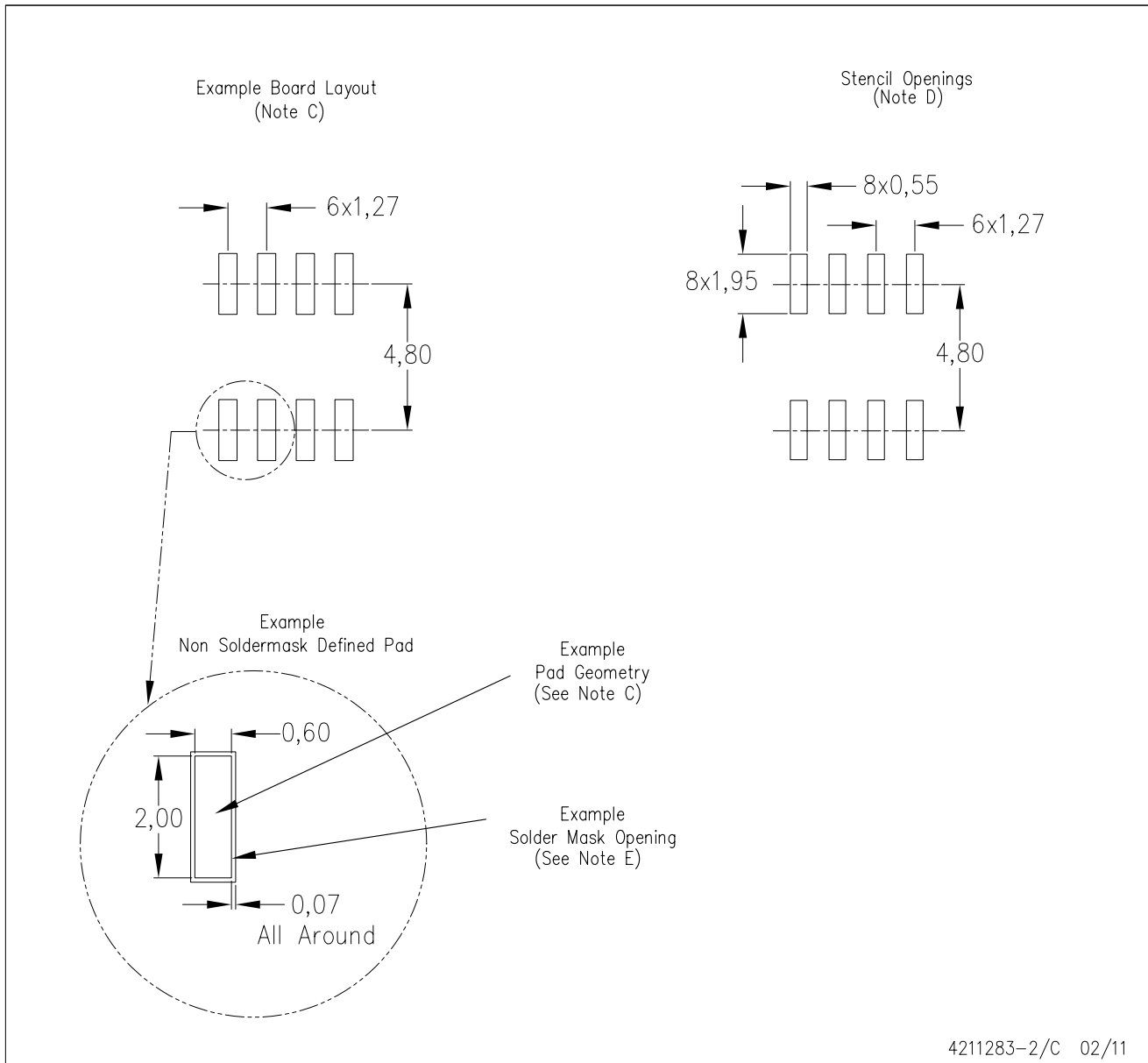
PLASTIC SMALL OUTLINE



NOTES: A. All linear dimensions are in inches (millimeters).  
 B. This drawing is subject to change without notice.  
 C. Body length does not include mold flash, protrusions, or gate burrs. Mold flash, protrusions, or gate burrs shall not exceed 0.006 (0,15) each side.  
 D. Body width does not include interlead flash. Interlead flash shall not exceed 0.017 (0,43) each side.  
 E. Reference JEDEC MS-012 variation AA.

D (R-PDSO-G8)

PLASTIC SMALL OUTLINE



- NOTES:
- All linear dimensions are in millimeters.
  - This drawing is subject to change without notice.
  - Publication IPC-7351 is recommended for alternate designs.
  - Laser cutting apertures with trapezoidal walls and also rounding corners will offer better paste release. Customers should contact their board assembly site for stencil design recommendations. Refer to IPC-7525 for other stencil recommendations.
  - Customers should contact their board fabrication site for solder mask tolerances between and around signal pads.

## IMPORTANT NOTICE

Texas Instruments Incorporated and its subsidiaries (TI) reserve the right to make corrections, modifications, enhancements, improvements, and other changes to its products and services at any time and to discontinue any product or service without notice. Customers should obtain the latest relevant information before placing orders and should verify that such information is current and complete. All products are sold subject to TI's terms and conditions of sale supplied at the time of order acknowledgment.

TI warrants performance of its hardware products to the specifications applicable at the time of sale in accordance with TI's standard warranty. Testing and other quality control techniques are used to the extent TI deems necessary to support this warranty. Except where mandated by government requirements, testing of all parameters of each product is not necessarily performed.

TI assumes no liability for applications assistance or customer product design. Customers are responsible for their products and applications using TI components. To minimize the risks associated with customer products and applications, customers should provide adequate design and operating safeguards.

TI does not warrant or represent that any license, either express or implied, is granted under any TI patent right, copyright, mask work right, or other TI intellectual property right relating to any combination, machine, or process in which TI products or services are used. Information published by TI regarding third-party products or services does not constitute a license from TI to use such products or services or a warranty or endorsement thereof. Use of such information may require a license from a third party under the patents or other intellectual property of the third party, or a license from TI under the patents or other intellectual property of TI.

Reproduction of TI information in TI data books or data sheets is permissible only if reproduction is without alteration and is accompanied by all associated warranties, conditions, limitations, and notices. Reproduction of this information with alteration is an unfair and deceptive business practice. TI is not responsible or liable for such altered documentation. Information of third parties may be subject to additional restrictions.

Resale of TI products or services with statements different from or beyond the parameters stated by TI for that product or service voids all express and any implied warranties for the associated TI product or service and is an unfair and deceptive business practice. TI is not responsible or liable for any such statements.

TI products are not authorized for use in safety-critical applications (such as life support) where a failure of the TI product would reasonably be expected to cause severe personal injury or death, unless officers of the parties have executed an agreement specifically governing such use. Buyers represent that they have all necessary expertise in the safety and regulatory ramifications of their applications, and acknowledge and agree that they are solely responsible for all legal, regulatory and safety-related requirements concerning their products and any use of TI products in such safety-critical applications, notwithstanding any applications-related information or support that may be provided by TI. Further, Buyers must fully indemnify TI and its representatives against any damages arising out of the use of TI products in such safety-critical applications.

TI products are neither designed nor intended for use in military/aerospace applications or environments unless the TI products are specifically designated by TI as military-grade or "enhanced plastic." Only products designated by TI as military-grade meet military specifications. Buyers acknowledge and agree that any such use of TI products which TI has not designated as military-grade is solely at the Buyer's risk, and that they are solely responsible for compliance with all legal and regulatory requirements in connection with such use.

TI products are neither designed nor intended for use in automotive applications or environments unless the specific TI products are designated by TI as compliant with ISO/TS 16949 requirements. Buyers acknowledge and agree that, if they use any non-designated products in automotive applications, TI will not be responsible for any failure to meet such requirements.

Following are URLs where you can obtain information on other Texas Instruments products and application solutions:

### Products

Audio	<a href="http://www.ti.com/audio">www.ti.com/audio</a>
Amplifiers	<a href="http://amplifier.ti.com">amplifier.ti.com</a>
Data Converters	<a href="http://dataconverter.ti.com">dataconverter.ti.com</a>
DLP® Products	<a href="http://www.dlp.com">www.dlp.com</a>
DSP	<a href="http://dsp.ti.com">dsp.ti.com</a>
Clocks and Timers	<a href="http://www.ti.com/clocks">www.ti.com/clocks</a>
Interface	<a href="http://interface.ti.com">interface.ti.com</a>
Logic	<a href="http://logic.ti.com">logic.ti.com</a>
Power Mgmt	<a href="http://power.ti.com">power.ti.com</a>
Microcontrollers	<a href="http://microcontroller.ti.com">microcontroller.ti.com</a>
RFID	<a href="http://www.ti-rfid.com">www.ti-rfid.com</a>
RF/IF and ZigBee® Solutions	<a href="http://www.ti.com/lprf">www.ti.com/lprf</a>

### Applications

Communications and Telecom	<a href="http://www.ti.com/communications">www.ti.com/communications</a>
Computers and Peripherals	<a href="http://www.ti.com/computers">www.ti.com/computers</a>
Consumer Electronics	<a href="http://www.ti.com/consumer-apps">www.ti.com/consumer-apps</a>
Energy and Lighting	<a href="http://www.ti.com/energy">www.ti.com/energy</a>
Industrial	<a href="http://www.ti.com/industrial">www.ti.com/industrial</a>
Medical	<a href="http://www.ti.com/medical">www.ti.com/medical</a>
Security	<a href="http://www.ti.com/security">www.ti.com/security</a>
Space, Avionics and Defense	<a href="http://www.ti.com/space-avionics-defense">www.ti.com/space-avionics-defense</a>
Transportation and Automotive	<a href="http://www.ti.com/automotive">www.ti.com/automotive</a>
Video and Imaging	<a href="http://www.ti.com/video">www.ti.com/video</a>
Wireless	<a href="http://www.ti.com/wireless-apps">www.ti.com/wireless-apps</a>

TI E2E Community Home Page

[e2e.ti.com](http://e2e.ti.com)

Mailing Address: Texas Instruments, Post Office Box 655303, Dallas, Texas 75265  
Copyright © 2011, Texas Instruments Incorporated