

LOW VOLTAGE DIFFERENTIAL (LVD) SCSI 9-LINE TERMINATOR

FEATURES

- Complies with SCSI, SCSI-2 and SPI-2 Standards
- 5-pF Channel Capacitance During Disconnect
- Meets SCSI Hot Plugging
- –400-mA Sourcing Current for Termination
- +100-mA Sinking Current for Active Negation
- 1-V Dropout Voltage Regulator
- Logic High Command Disconnects all Termination Lines
- 100- μ A Supply Current In Disconnect Mode
- Trimmed Termination Current to 5%
- Trimmed Impedance to 5%
- Low Thermal Resistance Surface Mount Packages

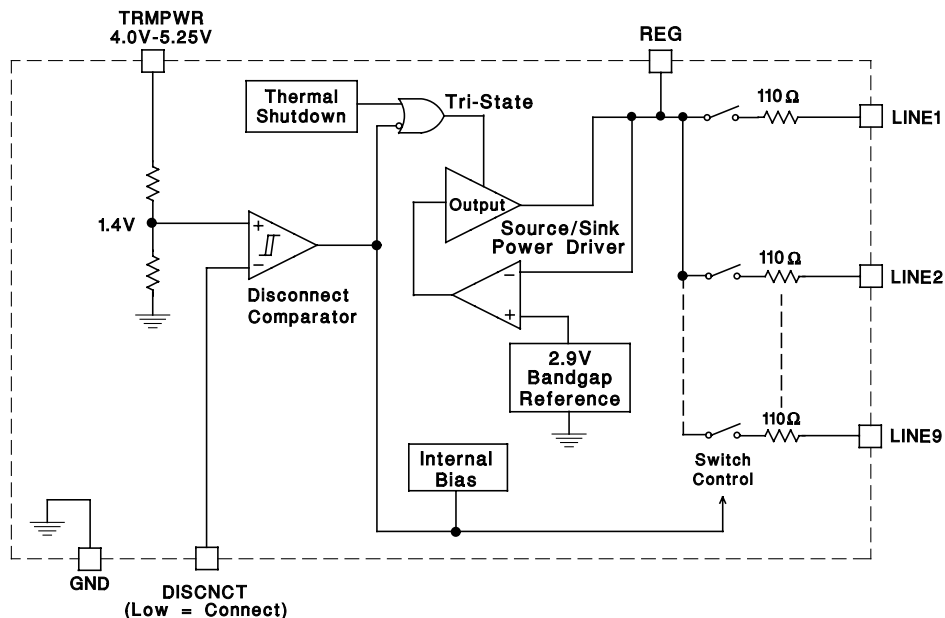
DESCRIPTION

The UC5612 provides 9 lines of active termination for a small computer systems interface (SCSI) parallel bus. The SCSI standard recommends active termination at both ends of the cable segment.

The only functional differences between the UC5603 and UC5612 is the absence of the negative clamps on the output lines. Parametrically, the UC5612 has a 5% tolerance on impedance and current compared to a 3% tolerance on the UC5603. Custom power packages are utilized to allow normal operation at full power at 2 W.

The UC5612 provides a disconnect feature which, when opened or driven high, disconnects all terminating resistors, disables the regulator and greatly reduces standby power consumption. The output channels remain high impedance even without TERMPWR applied. A low channel capacitance of 5 pF allows interim points of the bus to have little to no effect on the signal integrity.

BLOCK DIAGRAM



These devices have limited built-in ESD protection. The leads should be shorted together or the device placed in conductive foam during storage or handling to prevent electrostatic damage to the MOS gates.

DESCRIPTION (CONT.)

Internal circuit trimming is utilized, first to trim the impedance to a 5% tolerance, and then most importantly, to trim the output current to a 5% tolerance, as close to the maximum SCSI specification as possible. This maximizes the noise margin in fast SCSI operation. Other features include thermal shutdown and current limit.

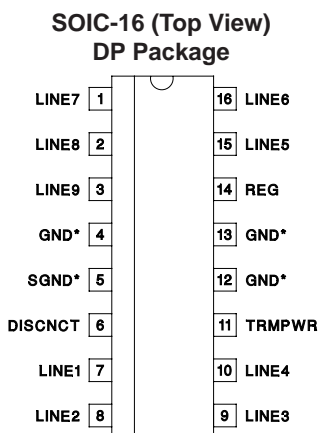
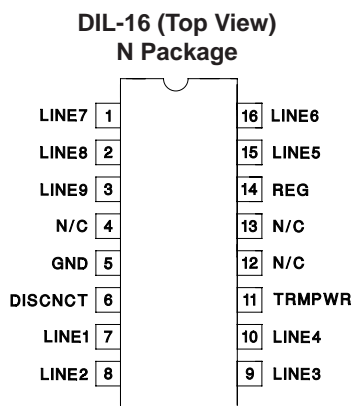
This device is offered in low thermal resistance versions of the industry standard 16-pin narrow body SOIC, 16-pin DIL and 24-pin TSSOP.

ORDERING INFORMATION

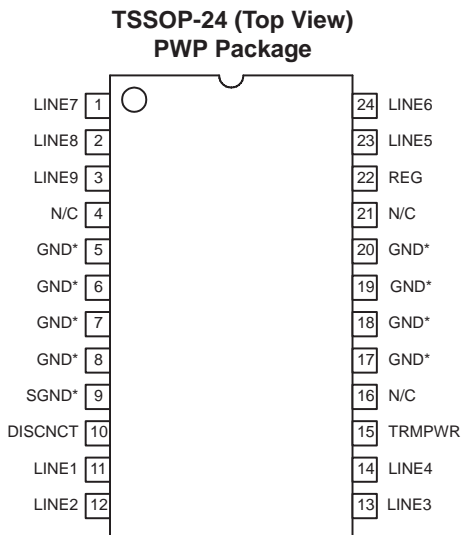
T _A	PACKAGED DEVICE†	PACKAGED DEVICE†	PACKAGED DEVICE†
	DIL-16 (N)	SOIC-16 (DP)	TSSOP-24 (PWP)
0°C to 70°C	UC5612N	UC5612DP	UC5612PWP

† The TSSOP packages are available taped and reeled. Add TR suffix to device type (e.g. UC5612PWPTR) to order quantities of 2,000 devices per reel.

CONNECTION DIAGRAM



* DP package pin 5 serves as signal ground; pins 4, 12, and 13 serve as heatsink/ground.



* PWP package pin 9 serves as signal ground; pins 5, 6, 7, 8, 17, 18, 19 and 20 serve as heatsink/ground.

RECOMMENDED OPERATING CONDITIONS

	MIN	NOM	MAX	UNIT
TRMPWR voltage	3.8		5.25	V
Signal line voltage	0		5.0	
Disconnect input voltage	0		6.0	

ABSOLUTE MAXIMUM RATINGS

over operating free-air temperature range unless otherwise noted†‡

	UCC5640	UNIT
TRMPWR voltage	7	V
Signal line voltage	0 to 7.0	
Regulator output current	0.6	A
Storage temperature, T_{stg}	-65 to 150	°C
Operating junction temperature, T_J	-55 to 150	
Lead temperature (soldering, 10 sec.)	300	

† Stresses beyond those listed under “absolute maximum ratings” may cause permanent damage to the device. These are stress ratings only, and functional operation of the device at these or any other conditions beyond those indicated under “recommended operating conditions” is not implied. Exposure to absolute-maximum-rated conditions for extended periods may affect device reliability. All voltages are with respect to GND. Currents are positive into and negative out of, the specified terminal.

‡ Currents are positive into, negative out of the specified terminal. Consult Packaging Section of Databook for thermal limitations and considerations of packages.

ELECTRICAL CHARACTERISTICST_A = 0°C to 70°C, TRMPWR = 4.75 V, T_A = T_J, (unless otherwise noted)

PARAMETER	TEST CONDITIONS	MIN	TYP	MAX	UNITS	
Supply Current Section						
Tempwr supply current	All termination lines = Open		17	23	mA	
	All termination lines = 0.5 V		200	225		
Power down mode	DISCNCT = Open		100	150	μA	
Output Section (Termination Lines)						
Terminator impedance	ΔI _{LINE} = -5 mA to -15 mA	104.5	110	115.5	Ω	
Output high voltage		2.65	2.9	3.1	V	
Max output current	V _{LINE} = 0.5 V	T _J = 25°C	-20.3	-21.5	-22.4	mA
		0°C < T _J < 70°C	-19.8	-21.5	-22.4	
Max output current	V _{LINE} = 0.5 V, TRMPWR = 4 V (1)	T _J = 25°C	-19.5	-21.5	-22.4	
		0°C < T _J < 70°C	-19.0	-21.5	-22.4	
Max output current	V _{LINE} = 0.2V, TRMPWR = 4 V to 5.25 V	0°C < T _J < 70°C	-21.6	-24.0	-25.4	
Output leakage	DISCNCT = 4 V, REG = 0 V, TRMPWR = 0 V to 5.25 V	V _{LINE} = 0 V to 4 V		10	400	nA
		V _{LINE} = 5.25 V			100	μA
	REG = Open	V _{LINE} = 0 V to 5.25 V		10	400	nA
Output capacitance	DISCNCT = Open, (DP package) ⁽²⁾		5	6	pF	
Regulator Section						
Regulator output voltage		2.7	2.9	3.1	V	
	All termination lines = 4 V	2.7	2.9	3.1		
Line regulation	TRMPWR = 4 V to 6 V		10	20	mV	
Drop out voltage	All termination lines = 0.5 V		1.0	1.2	V	
Short circuit current	REG = 0 V	-200	-400	-600	mA	
Sinking current capability	REG = 3.5 V	75	100	400		
Thermal shutdown			170		°C	
Thermal shutdown hysteresis			10			
Disconnect Section						
Disconnect threshold		1.1	1.4	1.7	V	
Input current	DISCNCT = 0 V		-10	-20	μA	

NOTE: (1) Measuring each termination line while other eight are low.

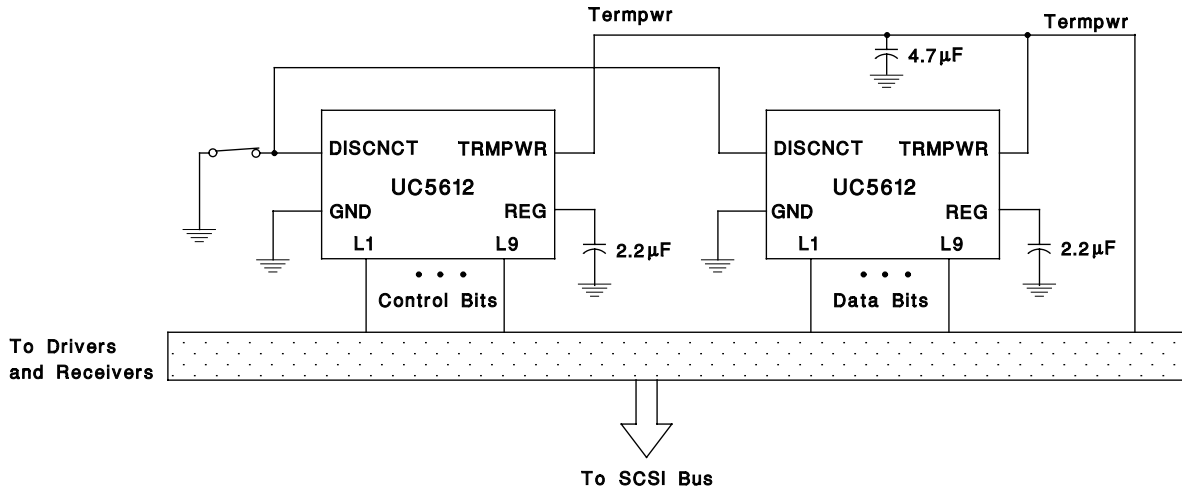
(2) Ensured by design. Not production tested.

TERMINAL FUNCTIONS(1)

TERMINAL		I/O	DESCRIPTION
NAME	NO.		
DISCNCT	6		Taking this pin high or leaving it open causes the nine channels to become high impedance and the chip to go into low-power mode; a low state allows the channels to provide normal termination.
GND	5		Ground reference for the device
LINE1 – LINE9	1, 2, 3, 7, 8, 9, 10, 15, 16		110-Ω termination channels.
REG	14		Output of the internal 2.8-V regulator.
TRMPWR	11		Power for the device.

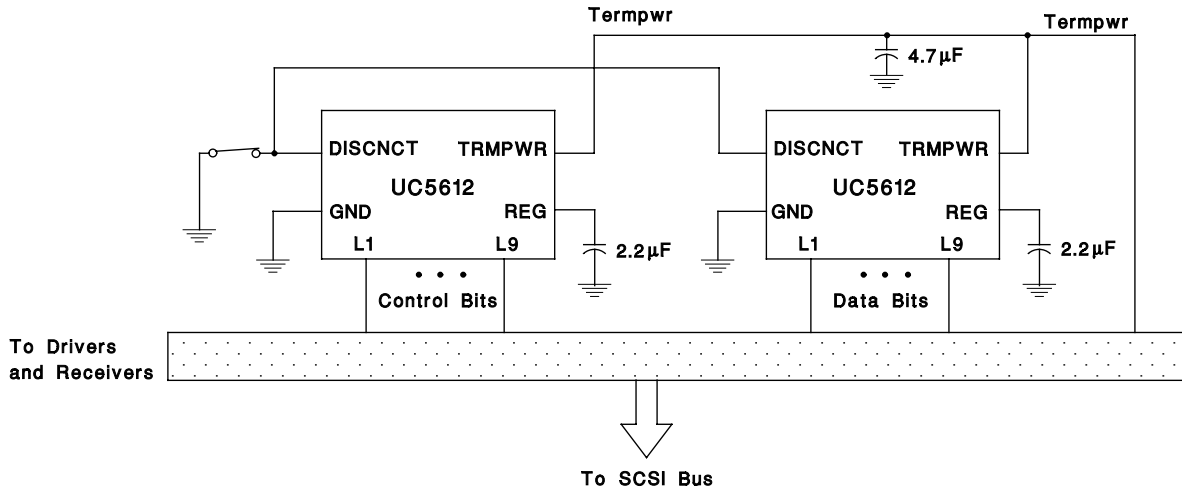
NOTE: (1) N package.

APPLICATION INFORMATION



UDG-94134

Figure 1. Typical SCSI Bus Configurations Utilizing Two UC5612 Devices



UDG-94135

Figure 2. Typical Wide SCSI Bus Configurations Utilizing Three UC5612 Devices

PACKAGING INFORMATION

Orderable Device	Status ⁽¹⁾	Package Type	Package Drawing	Pins	Package Qty	Eco Plan ⁽²⁾	Lead/ Ball Finish	MSL Peak Temp ⁽³⁾	Samples (Requires Login)
UC5612DP	OBSOLETE	SOIC	D	16		TBD	Call TI	Call TI	Samples Not Available
UC5612DPG4	OBSOLETE	SOIC	D	16		TBD	Call TI	Call TI	Samples Not Available
UC5612DPTR	OBSOLETE	SOIC	D	16		TBD	Call TI	Call TI	Samples Not Available
UC5612DPTRG4	OBSOLETE	SOIC	D	16		TBD	Call TI	Call TI	Samples Not Available
UC5612PWP	OBSOLETE	TSSOP	PW	24		TBD	Call TI	Call TI	Samples Not Available
UC5612PWPG4	OBSOLETE	TSSOP	PW	24		TBD	Call TI	Call TI	Samples Not Available
UC5612PWPTR	OBSOLETE	TSSOP	PW	24		TBD	Call TI	Call TI	Samples Not Available
UC5612PWPTRG4	OBSOLETE	TSSOP	PW	24		TBD	Call TI	Call TI	Samples Not Available

⁽¹⁾ The marketing status values are defined as follows:

ACTIVE: Product device recommended for new designs.

LIFEBUY: TI has announced that the device will be discontinued, and a lifetime-buy period is in effect.

NRND: Not recommended for new designs. Device is in production to support existing customers, but TI does not recommend using this part in a new design.

PREVIEW: Device has been announced but is not in production. Samples may or may not be available.

OBSOLETE: TI has discontinued the production of the device.

⁽²⁾ Eco Plan - The planned eco-friendly classification: Pb-Free (RoHS), Pb-Free (RoHS Exempt), or Green (RoHS & no Sb/Br) - please check <http://www.ti.com/productcontent> for the latest availability information and additional product content details.

TBD: The Pb-Free/Green conversion plan has not been defined.

Pb-Free (RoHS): TI's terms "Lead-Free" or "Pb-Free" mean semiconductor products that are compatible with the current RoHS requirements for all 6 substances, including the requirement that lead not exceed 0.1% by weight in homogeneous materials. Where designed to be soldered at high temperatures, TI Pb-Free products are suitable for use in specified lead-free processes.

Pb-Free (RoHS Exempt): This component has a RoHS exemption for either 1) lead-based flip-chip solder bumps used between the die and package, or 2) lead-based die adhesive used between the die and leadframe. The component is otherwise considered Pb-Free (RoHS compatible) as defined above.

Green (RoHS & no Sb/Br): TI defines "Green" to mean Pb-Free (RoHS compatible), and free of Bromine (Br) and Antimony (Sb) based flame retardants (Br or Sb do not exceed 0.1% by weight in homogeneous material)

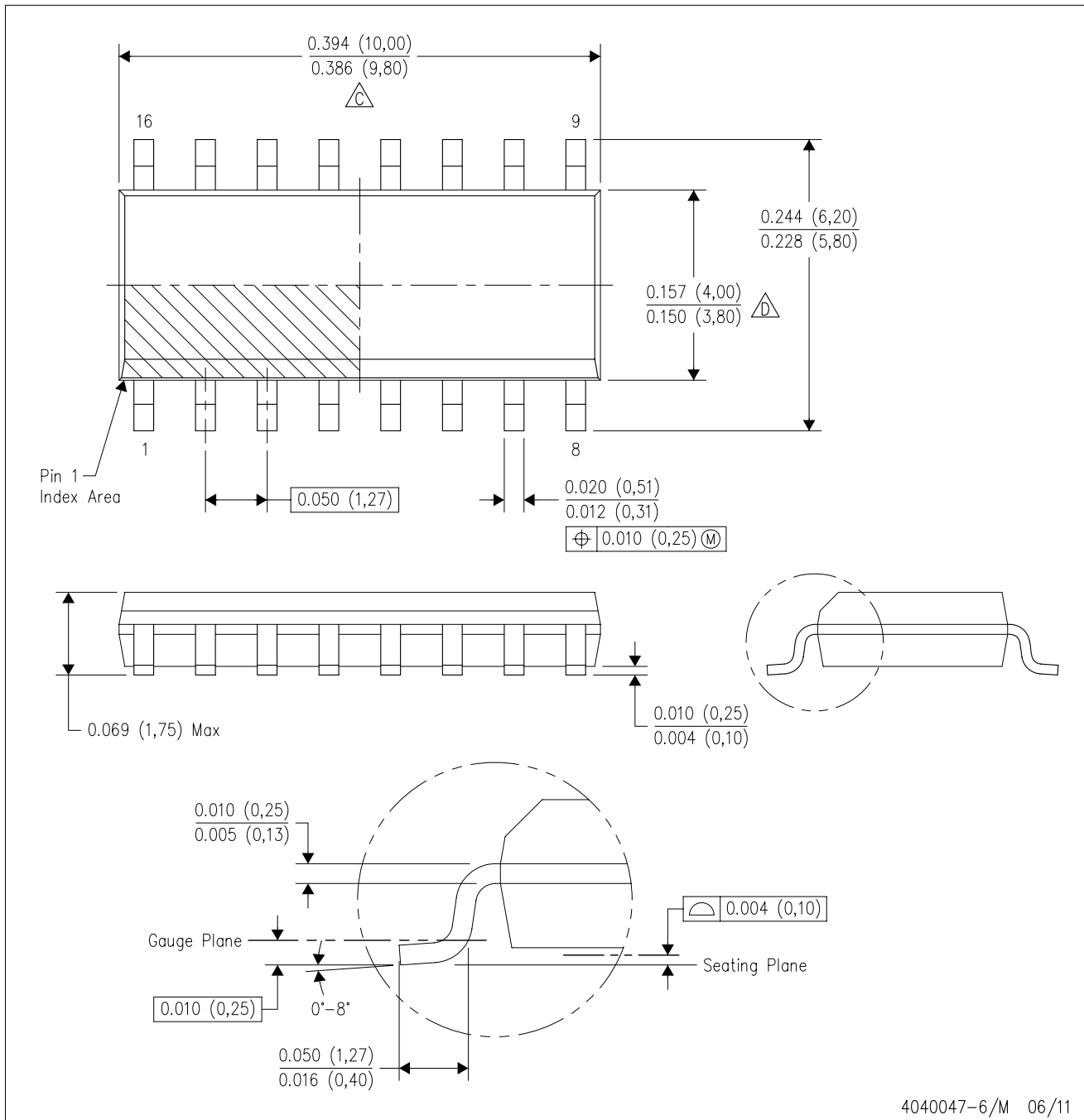
⁽³⁾ MSL, Peak Temp. -- The Moisture Sensitivity Level rating according to the JEDEC industry standard classifications, and peak solder temperature.

Important Information and Disclaimer: The information provided on this page represents TI's knowledge and belief as of the date that it is provided. TI bases its knowledge and belief on information provided by third parties, and makes no representation or warranty as to the accuracy of such information. Efforts are underway to better integrate information from third parties. TI has taken and continues to take reasonable steps to provide representative and accurate information but may not have conducted destructive testing or chemical analysis on incoming materials and chemicals. TI and TI suppliers consider certain information to be proprietary, and thus CAS numbers and other limited information may not be available for release.



In no event shall TI's liability arising out of such information exceed the total purchase price of the TI part(s) at issue in this document sold by TI to Customer on an annual basis.

D (R-PDSO-G16)

PLASTIC SMALL OUTLINE

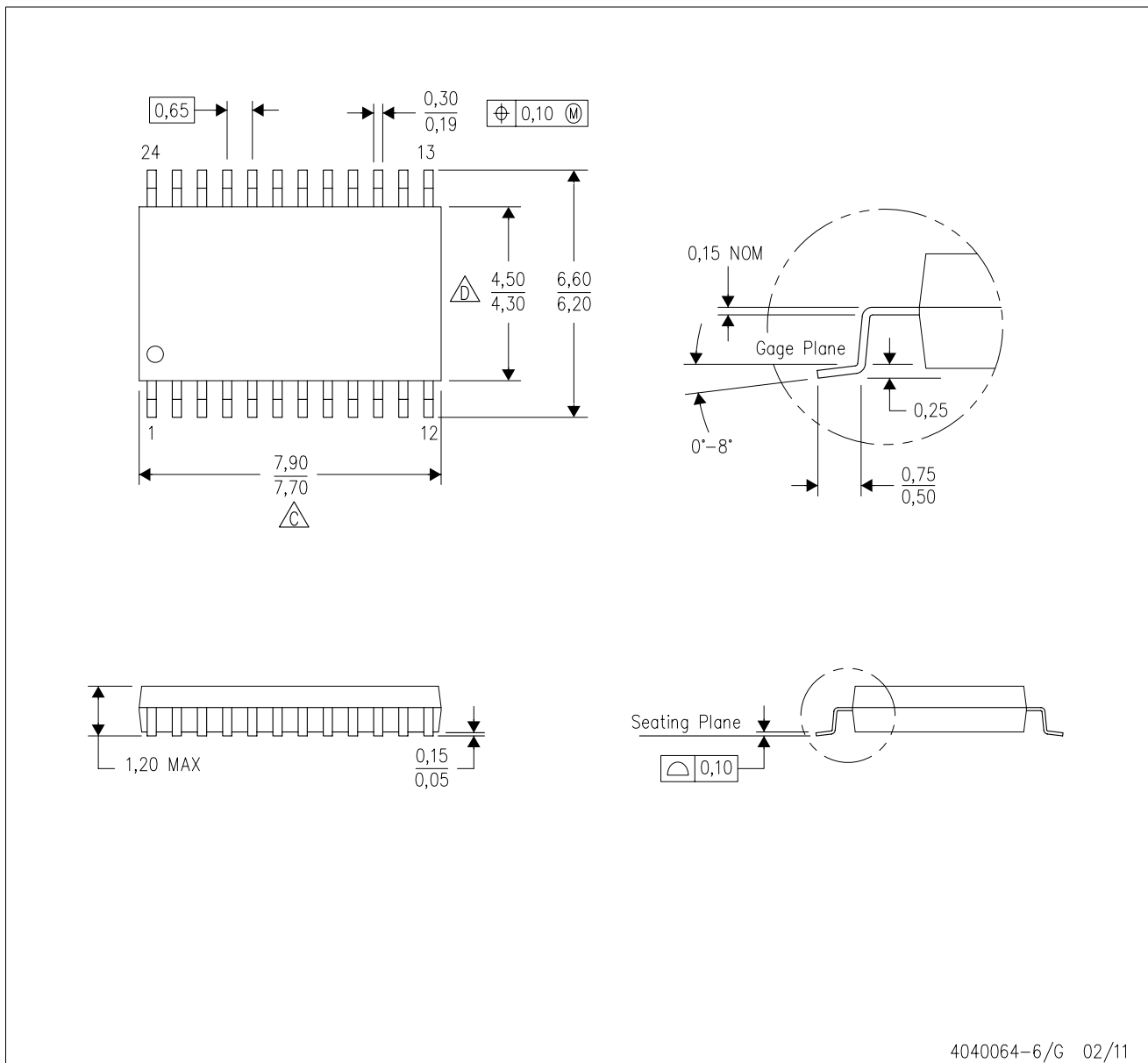


4040047-6/M 06/11

- NOTES:
- A. All linear dimensions are in inches (millimeters).
 - B. This drawing is subject to change without notice.
 -  Body length does not include mold flash, protrusions, or gate burrs. Mold flash, protrusions, or gate burrs shall not exceed 0.006 (0,15) each side.
 -  Body width does not include interlead flash. Interlead flash shall not exceed 0.017 (0,43) each side.
 - E. Reference JEDEC MS-012 variation AC.

PW (R-PDSO-G24)

PLASTIC SMALL OUTLINE



4040064-6/G 02/11

- NOTES:
- A. All linear dimensions are in millimeters. Dimensioning and tolerancing per ASME Y14.5M-1994.
 - B. This drawing is subject to change without notice.
 - C. Body length does not include mold flash, protrusions, or gate burrs. Mold flash, protrusions, or gate burrs shall not exceed 0,15 each side.
 - D. Body width does not include interlead flash. Interlead flash shall not exceed 0,25 each side.
 - E. Falls within JEDEC MO-153

IMPORTANT NOTICE

Texas Instruments Incorporated and its subsidiaries (TI) reserve the right to make corrections, modifications, enhancements, improvements, and other changes to its products and services at any time and to discontinue any product or service without notice. Customers should obtain the latest relevant information before placing orders and should verify that such information is current and complete. All products are sold subject to TI's terms and conditions of sale supplied at the time of order acknowledgment.

TI warrants performance of its hardware products to the specifications applicable at the time of sale in accordance with TI's standard warranty. Testing and other quality control techniques are used to the extent TI deems necessary to support this warranty. Except where mandated by government requirements, testing of all parameters of each product is not necessarily performed.

TI assumes no liability for applications assistance or customer product design. Customers are responsible for their products and applications using TI components. To minimize the risks associated with customer products and applications, customers should provide adequate design and operating safeguards.

TI does not warrant or represent that any license, either express or implied, is granted under any TI patent right, copyright, mask work right, or other TI intellectual property right relating to any combination, machine, or process in which TI products or services are used. Information published by TI regarding third-party products or services does not constitute a license from TI to use such products or services or a warranty or endorsement thereof. Use of such information may require a license from a third party under the patents or other intellectual property of the third party, or a license from TI under the patents or other intellectual property of TI.

Reproduction of TI information in TI data books or data sheets is permissible only if reproduction is without alteration and is accompanied by all associated warranties, conditions, limitations, and notices. Reproduction of this information with alteration is an unfair and deceptive business practice. TI is not responsible or liable for such altered documentation. Information of third parties may be subject to additional restrictions.

Resale of TI products or services with statements different from or beyond the parameters stated by TI for that product or service voids all express and any implied warranties for the associated TI product or service and is an unfair and deceptive business practice. TI is not responsible or liable for any such statements.

TI products are not authorized for use in safety-critical applications (such as life support) where a failure of the TI product would reasonably be expected to cause severe personal injury or death, unless officers of the parties have executed an agreement specifically governing such use. Buyers represent that they have all necessary expertise in the safety and regulatory ramifications of their applications, and acknowledge and agree that they are solely responsible for all legal, regulatory and safety-related requirements concerning their products and any use of TI products in such safety-critical applications, notwithstanding any applications-related information or support that may be provided by TI. Further, Buyers must fully indemnify TI and its representatives against any damages arising out of the use of TI products in such safety-critical applications.

TI products are neither designed nor intended for use in military/aerospace applications or environments unless the TI products are specifically designated by TI as military-grade or "enhanced plastic." Only products designated by TI as military-grade meet military specifications. Buyers acknowledge and agree that any such use of TI products which TI has not designated as military-grade is solely at the Buyer's risk, and that they are solely responsible for compliance with all legal and regulatory requirements in connection with such use.

TI products are neither designed nor intended for use in automotive applications or environments unless the specific TI products are designated by TI as compliant with ISO/TS 16949 requirements. Buyers acknowledge and agree that, if they use any non-designated products in automotive applications, TI will not be responsible for any failure to meet such requirements.

Following are URLs where you can obtain information on other Texas Instruments products and application solutions:

Products

Audio	www.ti.com/audio
Amplifiers	amplifier.ti.com
Data Converters	dataconverter.ti.com
DLP® Products	www.dlp.com
DSP	dsp.ti.com
Clocks and Timers	www.ti.com/clocks
Interface	interface.ti.com
Logic	logic.ti.com
Power Mgmt	power.ti.com
Microcontrollers	microcontroller.ti.com
RFID	www.ti-rfid.com
RF/IF and ZigBee® Solutions	www.ti.com/lprf

Applications

Communications and Telecom	www.ti.com/communications
Computers and Peripherals	www.ti.com/computers
Consumer Electronics	www.ti.com/consumer-apps
Energy and Lighting	www.ti.com/energy
Industrial	www.ti.com/industrial
Medical	www.ti.com/medical
Security	www.ti.com/security
Space, Avionics and Defense	www.ti.com/space-avionics-defense
Transportation and Automotive	www.ti.com/automotive
Video and Imaging	www.ti.com/video
Wireless	www.ti.com/wireless-apps

TI E2E Community Home Page

e2e.ti.com

Mailing Address: Texas Instruments, Post Office Box 655303, Dallas, Texas 75265
Copyright © 2011, Texas Instruments Incorporated