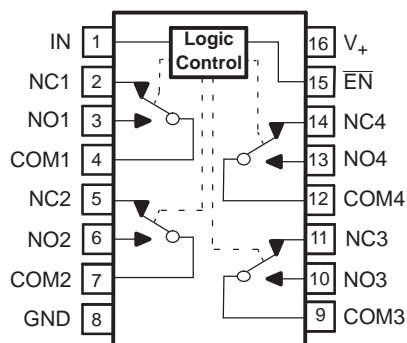


## 10-Ω QUAD SPDT ANALOG SWITCH

 Check for Samples: [TS3A5018](#)

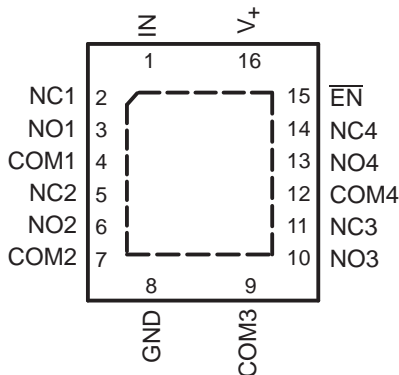
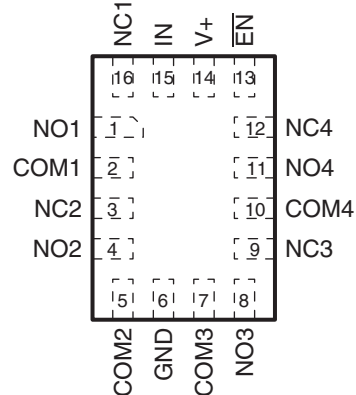
### FEATURES

- Low ON-State Resistance (10 Ω)
- Low Charge Injection
- Excellent ON-State Resistance Matching
- Low Total Harmonic Distortion (THD)
- 1.8-V to 3.6-V Single-Supply Operation
- Latch-Up Performance Exceeds 100 mA Per JESD 78, Class II
- ESD Performance Tested Per JESD 22
  - 2000-V Human-Body Model (A114-B, Class II)
  - 1000-V Charged-Device Model (C101)

 D, DBQ, DGV, OR PW PACKAGE  
(TOP VIEW)


### APPLICATIONS

- Sample-and-Hold Circuits
- Battery-Powered Equipment
- Audio and Video Signal Routing
- Communication Circuits

 RGY PACKAGE  
(TOP VIEW)

 RSV PACKAGE  
(TOP VIEW)


### DESCRIPTION

The TS3A5018 is a quad single-pole double-throw (SPDT) analog switch that is designed to operate from 1.8 V to 3.6 V. This device can handle both digital and analog signals, and signals up to  $V_+$  can be transmitted in either direction.



Please be aware that an important notice concerning availability, standard warranty, and use in critical applications of Texas Instruments semiconductor products and disclaimers thereto appears at the end of this data sheet.

**ORDERING INFORMATION<sup>(1)</sup>**

T <sub>A</sub>	PACKAGE <sup>(2)</sup>		ORDERABLE PART NUMBER	TOP-SIDE MARKING
-40°C to 85°C	SOIC – D	Tube of 40	TS3A5018D	TS3A5018
		Reel of 2500	TS3A5018DR	
	SSOP (QSOP) – DBQ	Reel of 2500	TS3A5018DBQR	YA018
	TSSOP – PW	Tube of 90	TS3A5018PW	YA018
		Reel of 2000	TS3A5018PWR	
	TVSOP – DGV	Reel of 2000	TS3A5018DGV	YA018
	QFN – RGY	Reel of 3000	TS3A5018RGYR	YA018
			TS3A5018RGYRG4	
uQFN – RSV	Reel of 3000	TS3A5018RSVR	ZUN	

- (1) For the most current package and ordering information, see the Package Option Addendum at the end of this document, or see the TI web site at [www.ti.com](http://www.ti.com).
- (2) Package drawings, thermal data, and symbolization are available at [www.ti.com/packaging](http://www.ti.com/packaging).

**SUMMARY OF CHARACTERISTICS<sup>(1)</sup>**

Configuration	Quad Single-Pole, Double Throw (4 × SPDT)
Number of channels	4
ON-state resistance (r <sub>on</sub> )	7 Ω
ON-state resistance match (Δr <sub>on</sub> )	0.3 Ω
ON-state resistance flatness (r <sub>on(flat)</sub> )	5 Ω
Turn-on/turn-off time (t <sub>ON</sub> /t <sub>OFF</sub> )	3.5 ns/2 ns
Charge injection (Q <sub>C</sub> )	2 pC
Bandwidth (BW)	300 MHz
OFF isolation (O <sub>ISO</sub> )	-48 dB at 10 MHz
Crosstalk (X <sub>TALK</sub> )	-48 dB at 10 MHz
Total harmonic distortion (THD)	0.2%
Leakage current (I <sub>COM(OFF)</sub> )	±5 μA
Power-supply current (I <sub>+</sub> )	2.5 μA
Package options	16-pin QFN, uQFN, SOIC, SSOP, TSSOP, or TVSOP

(1) V<sub>+</sub> = 1.65 V ~ 1.95 V, T<sub>A</sub> = 25°C

**FUNCTION TABLE**

$\overline{\text{EN}}$	IN	NO TO COM, COM TO NO	NC TO COM, COM TO NC
L	L	OFF	ON
L	H	ON	OFF
H	X	OFF	OFF

**Absolute Minimum and Maximum Ratings<sup>(1) (2)</sup>**

over operating free-air temperature range (unless otherwise noted)

		<b>MIN</b>	<b>MAX</b>	<b>UNIT</b>
$V_+$	Supply voltage range <sup>(3)</sup>	-0.5	4.6	V
$V_{NC}$ $V_{NO}$	Analog voltage range <sup>(3) (4)</sup>	-0.5	4.6	V
$V_{COM}$				
$I_K$	Analog port diode current	$V_{NC}, V_{NO}, V_{COM} < 0$		mA
$I_{NC}$ $I_{NO}$	On-state switch current	$V_{NC}, V_{NO}, V_{COM} = 0 \text{ to } 7 \text{ V}$		mA
$I_{COM}$				
$V_I$	Digital input voltage range <sup>(3) (4)</sup>	-0.5	4.6	V
$I_{IK}$	Digital input clamp current	$V_I < 0$		mA
$I_+$	Continuous current through $V_+$	-100	100	mA
$I_{GND}$	Continuous current through GND	-100	100	mA
$\theta_{JA}$	Package thermal impedance <sup>(5)</sup>	D package		73
		DBQ package		90
		DGV package		120
		PW package		108
		RGY package		51
		RSV package		184
$T_{stg}$	Storage temperature range	-65	150	°C

- (1) Stresses beyond those listed under "absolute maximum ratings" may cause permanent damage to the device. These are stress ratings only, and functional operation of the device at these or any other conditions beyond those indicated under "recommended operating conditions" is not implied. Exposure to absolute-maximum-rated conditions for extended periods may affect device reliability.
- (2) The algebraic convention, whereby the most negative value is a minimum and the most positive value is a maximum
- (3) All voltages are with respect to ground, unless otherwise specified.
- (4) The input and output voltage ratings may be exceeded if the input and output clamp-current ratings are observed.
- (5) The package thermal impedance is calculated in accordance with JESD 51-7.

**Electrical Characteristics for 3.3-V Supply<sup>(1)</sup>**

V<sub>+</sub> = 3 V to 3.6 V, T<sub>A</sub> = –40°C to 85°C (unless otherwise noted)

PARAMETER	SYMBOL	TEST CONDITIONS	T <sub>A</sub>	V <sub>+</sub>	MIN	TYP	MAX	UNIT
<b>Analog Switch</b>								
Analog signal range	V <sub>COM</sub> , V <sub>NO</sub> , V <sub>NC</sub>				0		V <sub>+</sub>	V
ON-state resistance	r <sub>on</sub>	0 ≤ (V <sub>NC</sub> or V <sub>NO</sub> ) ≤ V <sub>+</sub> , I <sub>COM</sub> = –32 mA, Switch ON, See Figure 18	25°C Full	3 V		7	10 12	Ω
ON-state resistance match between channels	Δr <sub>on</sub>	V <sub>NC</sub> or V <sub>NO</sub> = 2.1 V, I <sub>COM</sub> = –32 mA, Switch ON, See Figure 18	25°C Full	3 V		0.3	0.8 1	Ω
ON-state resistance flatness	r <sub>on(flat)</sub>	0 ≤ (V <sub>NC</sub> or V <sub>NO</sub> ) ≤ V <sub>+</sub> , I <sub>COM</sub> = –32 mA, Switch ON, See Figure 18	25°C Full	3 V		5	7 8	Ω
NC, NO OFF leakage current	I <sub>NC(OFF)</sub> , I <sub>NO(OFF)</sub>	V <sub>NC</sub> or V <sub>NO</sub> = 1 V, V <sub>COM</sub> = 3 V, or V <sub>NC</sub> or V <sub>NO</sub> = 3 V, V <sub>COM</sub> = 1 V, Switch OFF, See Figure 19	25°C Full	3.6 V	–0.1	0.05	0.1 0.2	μA
		V <sub>NC</sub> or V <sub>NO</sub> = 0 to 3.6 V, V <sub>COM</sub> = 3.6 V to 0, or V <sub>NC</sub> or V <sub>NO</sub> = 3.6 V to 0, V <sub>COM</sub> = 0 to 3.6 V, Switch OFF, See Figure 19	25°C Full	0 V	–2	0.05	2 10	
COM OFF leakage current	I <sub>COM(OFF)</sub>	V <sub>COM</sub> = 1 V, V <sub>NC</sub> or V <sub>NO</sub> = 3 V, or V <sub>COM</sub> = 3 V, V <sub>NC</sub> or V <sub>NO</sub> = 3 V, Switch OFF, See Figure 19	25°C Full	3.6 V	–0.1	0.05	0.1 0.2	μA
		V <sub>COM</sub> = 0 to 3.6 V, V <sub>NC</sub> or V <sub>NO</sub> = 3.6 V to 0, or V <sub>COM</sub> = 3.6 V to 0, V <sub>NC</sub> or V <sub>NO</sub> = 0 to 3.6 V, Switch OFF, See Figure 19	25°C Full	0 V	–2	0.05	2 10	
NC, NO ON leakage current	I <sub>NC(ON)</sub> , I <sub>NO(ON)</sub>	V <sub>NC</sub> or V <sub>NO</sub> = 1 V, V <sub>COM</sub> = Open, or V <sub>NC</sub> or V <sub>NO</sub> = 3 V, V <sub>COM</sub> = Open, Switch ON, See Figure 20	25°C Full	3.6 V	–0.1	0.05	0.1 0.2	μA
COM ON leakage current	I <sub>COM(ON)</sub>	V <sub>COM</sub> = 1 V, V <sub>NC</sub> or V <sub>NO</sub> = Open, or V <sub>COM</sub> = 3 V, V <sub>NC</sub> or V <sub>NO</sub> = Open, Switch ON, See Figure 20	25°C Full	3.6 V	–0.1	0.05	0.1 0.2	μA
<b>Digital Control Inputs (IN, EN)<sup>(2)</sup></b>								
Input logic high	V <sub>IH</sub>		Full		2		V <sub>+</sub>	V
Input logic low	V <sub>IL</sub>		Full		0		0.8	V
Input leakage current	I <sub>IH</sub> , I <sub>IL</sub>	V <sub>I</sub> = V <sub>+</sub> or 0	25°C	3.6 V	–1	0.05	1	μA
			Full					

(1) The algebraic convention is used in this data sheet; the most negative value is shown in the minimum column.

(2) All unused digital inputs of the device must be held at V<sub>+</sub> or GND to ensure proper device operation. Refer to the TI application report, *Implications of Slow or Floating CMOS Inputs*, literature number SCBA004.

**Electrical Characteristics for 3.3-V Supply<sup>(1)</sup> (continued)**
 $V_+ = 3\text{ V to }3.6\text{ V}$ ,  $T_A = -40^\circ\text{C to }85^\circ\text{C}$  (unless otherwise noted)

PARAMETER	SYMBOL	TEST CONDITIONS	$T_A$	$V_+$	MIN	TYP	MAX	UNIT	
<b>Dynamic</b>									
Turn-on time	$t_{ON}$	$V_{COM} = 2\text{ V}$ , $R_L = 300\ \Omega$ ,	$C_L = 35\text{ pF}$ , See <a href="#">Figure 22</a>	25°C	3.3 V	2.5	3.5	8	ns
				Full	3 V to 3.6 V	2.5		9	
Turn-off time	$t_{OFF}$	$V_{COM} = 2\text{ V}$ , $R_L = 300\ \Omega$ ,	$C_L = 35\text{ pF}$ , See <a href="#">Figure 22</a>	25°C	3.3 V	0.5	2	6.5	ns
				Full	3 V to 3.6 V	0.5		7	
Charge injection	$Q_C$	$V_{GEN} = 0$ , $R_{GEN} = 0$ ,	$C_L = 0.1\text{ nF}$ , See <a href="#">Figure 27</a>	25°C	3.3 V		2	pC	
NC, NO OFF capacitance	$C_{NC(OFF)}$ , $C_{NO(OFF)}$	$V_{NC}$ or $V_{NO} = V_+$ or GND, Switch OFF,	See <a href="#">Figure 21</a>	25°C	3.3 V		4.5	pF	
COM OFF capacitance	$C_{COM(OFF)}$	$V_{COM} = V_+$ or GND, Switch OFF,	See <a href="#">Figure 21</a>	25°C	3.3 V		9	pF	
NC, NO ON capacitance	$C_{NC(ON)}$ , $C_{NO(ON)}$	$V_{NC}$ or $V_{NO} = V_+$ or GND, Switch ON,	See <a href="#">Figure 21</a>	25°C	3.3 V		16	pF	
COM ON capacitance	$C_{COM(ON)}$	$V_{COM} = V_+$ or GND, Switch ON,	See <a href="#">Figure 21</a>	25°C	3.3 V		16	pF	
Digital input capacitance	$C_I$	$V_I = V_+$ or GND,	See <a href="#">Figure 21</a>	25°C	3.3 V		3	pF	
Bandwidth	BW	$R_L = 50\ \Omega$ , Switch ON,	See <a href="#">Figure 23</a>	25°C	3.3 V		300	MHz	
OFF isolation	$O_{ISO}$	$R_L = 50\ \Omega$ , $f = 10\text{ MHz}$ ,	Switch OFF, See <a href="#">Figure 24</a>	25°C	3.3 V		-48	dB	
Crosstalk	$X_{TALK}$	$R_L = 50\ \Omega$ , $f = 10\text{ MHz}$ ,	Switch ON, See <a href="#">Figure 25</a>	25°C	3.3 V		-48	dB	
Crosstalk adjacent	$X_{TALK(ADJ)}$	$R_L = 50\ \Omega$ , $f = 10\text{ MHz}$ ,	Switch ON, See <a href="#">Figure 26</a>	25°C	3.3 V		-81	dB	
Total harmonic distortion	THD	$R_L = 600\ \Omega$ , $C_L = 50\text{ pF}$ ,	$f = 20\text{ Hz to }20\text{ kHz}$ , See <a href="#">Figure 28</a>	25°C	3.3 V		0.21	%	
<b>Supply</b>									
Positive supply current	$I_+$	$V_I = V_+$ or GND,	Switch ON or OFF	25°C	3.6 V	2.5	7	$\mu\text{A}$	
				Full			10		

**Electrical Characteristics for 2.5-V Supply<sup>(1)</sup>**

V<sub>+</sub> = 2.3 V to 2.7 V, T<sub>A</sub> = –40°C to 85°C (unless otherwise noted)

PARAMETER	SYMBOL	TEST CONDITIONS	T <sub>A</sub>	V <sub>+</sub>	MIN	TYP	MAX	UNIT
<b>Analog Switch</b>								
Analog signal range	V <sub>COM</sub> , V <sub>NC</sub> , V <sub>NO</sub>				0		V <sub>+</sub>	V
ON-state resistance	r <sub>on</sub>	0 ≤ (V <sub>NC</sub> or V <sub>NO</sub> ) ≤ V <sub>+</sub> , I <sub>COM</sub> = –24 mA, Switch ON, See <a href="#">Figure 18</a>	25°C	2.3 V	12		20	Ω
			Full				22	
ON-state resistance match between channels	Δr <sub>on</sub>	V <sub>NC</sub> or V <sub>NO</sub> = 1.6 V, I <sub>COM</sub> = –24 mA, Switch ON, See <a href="#">Figure 18</a>	25°C	2.3 V	0.3		1	Ω
			Full				2	
ON-state resistance flatness	r <sub>on(flat)</sub>	0 ≤ (V <sub>NC</sub> or V <sub>NO</sub> ) ≤ V <sub>+</sub> , I <sub>COM</sub> = –24 mA, Switch ON, See <a href="#">Figure 18</a>	25°C	2.3 V	14		18	Ω
			Full				20	
NC, NO OFF leakage current	I <sub>NC(OFF)</sub> , I <sub>NO(OFF)</sub>	V <sub>NC</sub> or V <sub>NO</sub> = 0.5 V, V <sub>COM</sub> = 2.2 V, or V <sub>NC</sub> or V <sub>NO</sub> = 2.2 V, V <sub>COM</sub> = 0.5 V, Switch OFF, See <a href="#">Figure 19</a>	25°C	2.7 V	–0.1	0.05	0.1	μA
			Full		–0.2	0.2		
		V <sub>NC</sub> or V <sub>NO</sub> = 0 to 3.6 V, V <sub>COM</sub> = 3.6 V to 0, or V <sub>NC</sub> or V <sub>NO</sub> = 3.6 V to 0, V <sub>COM</sub> = 0 to 3.6 V, Switch OFF, See <a href="#">Figure 19</a>	25°C	0 V	–2	0.05	2	
			Full		–10	10		
COM OFF leakage current	I <sub>COM(OFF)</sub>	V <sub>COM</sub> = 0.5 V, V <sub>NC</sub> or V <sub>NO</sub> = 2.2 V, or V <sub>COM</sub> = 2.2 V, V <sub>NC</sub> or V <sub>NO</sub> = 0.5 V, Switch OFF, See <a href="#">Figure 19</a>	25°C	2.7 V	–0.1	0.05	0.1	μA
			Full		–0.2	0.2		
		V <sub>COM</sub> = 0 to 3.6 V, V <sub>NC</sub> or V <sub>NO</sub> = 3.6 V to 0, or V <sub>COM</sub> = 3.6 V to 0, V <sub>NC</sub> or V <sub>NO</sub> = 0 to 3.6 V, Switch OFF, See <a href="#">Figure 19</a>	25°C	0 V	–2	0.05	2	
			Full		–10	10		
NC, NO ON leakage current	I <sub>NC(ON)</sub> , I <sub>NO(ON)</sub>	V <sub>NC</sub> or V <sub>NO</sub> = 0.5 V, V <sub>COM</sub> = Open, or V <sub>NC</sub> or V <sub>NO</sub> = 2.2 V, V <sub>COM</sub> = Open, Switch ON, See <a href="#">Figure 20</a>	25°C	2.7 V	–0.1	0.05	0.1	μA
			Full		–0.2	0.2		
COM ON leakage current	I <sub>COM(ON)</sub>	V <sub>COM</sub> = 0.5 V, V <sub>NC</sub> or V <sub>NO</sub> = Open, or V <sub>COM</sub> = 2.2 V, V <sub>NC</sub> or V <sub>NO</sub> = Open, Switch ON, See <a href="#">Figure 20</a>	25°C	2.7 V	–0.1	0.05	0.1	μA
			Full		–0.2	0.2		
<b>Digital Control Inputs (IN, EN)<sup>(2)</sup></b>								
Input logic high	V <sub>IH</sub>		Full		1.7		V <sub>+</sub>	V
Input logic low	V <sub>IL</sub>		Full		0		0.7	V
Input leakage current	I <sub>IH</sub> , I <sub>IL</sub>	V <sub>I</sub> = V <sub>+</sub> or 0	25°C	2.7 V	–0.1	0.05	0.1	μA
			Full		–1	1		

(1) The algebraic convention is used in this data sheet; the most negative value is shown in the minimum column.  
 (2) All unused digital inputs of the device must be held at V<sub>+</sub> or GND to ensure proper device operation. Refer to the TI application report, *Implications of Slow or Floating CMOS Inputs*, literature number SCBA004.

**Electrical Characteristics for 2.5-V Supply<sup>(1)</sup> (continued)**
 $V_+ = 2.3 \text{ V to } 2.7 \text{ V}$ ,  $T_A = -40^\circ\text{C to } 85^\circ\text{C}$  (unless otherwise noted)

PARAMETER	SYMBOL	TEST CONDITIONS	$T_A$	$V_+$	MIN	TYP	MAX	UNIT	
<b>Dynamic</b>									
Turn-on time	$t_{ON}$	$V_{COM} = 1.5 \text{ V}$ , $R_L = 300 \Omega$ ,	$C_L = 35 \text{ pF}$ , See <a href="#">Figure 22</a>	25°C	2.5 V	2.5	5	9.5	ns
				Full	2.3 V to 2.7 V	2.5		10.5	
Turn-off time	$t_{OFF}$	$V_{COM} = 1.5 \text{ V}$ , $R_L = 300 \Omega$ ,	$C_L = 35 \text{ pF}$ , See <a href="#">Figure 22</a>	25°C	2.5 V	0.5	3	7.5	ns
				Full	2.3 V to 2.7 V	0.5		9	
Charge injection	$Q_C$	$V_{GEN} = 0$ , $R_{GEN} = 0$ ,	$C_L = 0.1 \text{ nF}$ , See <a href="#">Figure 27</a>	25°C	2.5 V		1	pC	
NC, NO OFF capacitance	$C_{NC(OFF)}$ , $C_{NO(OFF)}$	$V_{NC}$ or $V_{NO} = V_+$ or GND, Switch OFF,	See <a href="#">Figure 21</a>	25°C	2.5 V		3	pF	
COM OFF capacitance	$C_{COM(OFF)}$	$V_{COM} = V_+$ or GND, Switch OFF,	See <a href="#">Figure 21</a>	25°C	2.5 V		9	pF	
NC, NO ON capacitance	$C_{NC(ON)}$ , $C_{NO(ON)}$	$V_{NC}$ or $V_{NO} = V_+$ or GND, Switch ON,	See <a href="#">Figure 21</a>	25°C	2.5 V		16	pF	
COM ON capacitance	$C_{COM(ON)}$	$V_{COM} = V_+$ or GND, Switch ON,	See <a href="#">Figure 21</a>	25°C	2.5 V		16	pF	
Digital input capacitance	$C_I$	$V_I = V_+$ or GND,	See <a href="#">Figure 21</a>	25°C	2.5 V		3	pF	
Bandwidth	BW	$R_L = 50 \Omega$ , Switch ON,	See <a href="#">Figure 23</a>	25°C	2.5 V		300	MHz	
OFF isolation	$O_{ISO}$	$R_L = 50 \Omega$ , $f = 10 \text{ MHz}$ ,	Switch OFF, See <a href="#">Figure 24</a>	25°C	2.5 V		-48	dB	
Crosstalk	$X_{TALK}$	$R_L = 50 \Omega$ , $f = 10 \text{ MHz}$ ,	Switch ON, See <a href="#">Figure 25</a>	25°C	2.5 V		-48	dB	
Crosstalk adjacent	$X_{TALK(ADJ)}$	$R_L = 50 \Omega$ , $f = 10 \text{ MHz}$ ,	Switch ON, See <a href="#">Figure 26</a>	25°C	3.3 V		-81	dB	
Total harmonic distortion	THD	$R_L = 600 \Omega$ , $C_L = 50 \text{ pF}$ ,	$f = 20 \text{ Hz to } 20 \text{ kHz}$ , See <a href="#">Figure 28</a>	25°C	2.5 V		0.33	%	
<b>Supply</b>									
Positive supply current	$I_+$	$V_I = V_+$ or GND,	Switch ON or OFF	25°C	2.7 V		2.5	7	$\mu\text{A}$
				Full				10	

**Electrical Characteristics for 1.8-V Supply<sup>(1)</sup>**

V<sub>+</sub> = 1.6 V to 2.0 V, T<sub>A</sub> = –40°C to 85°C (unless otherwise noted)

PARAMETER	SYMBOL	TEST CONDITIONS	T <sub>A</sub>	V <sub>+</sub>	MIN	TYP	MAX	UNIT	
<b>Analog Switch</b>									
Analog signal range	V <sub>COM</sub> , V <sub>NC</sub> , V <sub>NO</sub>				0		V <sub>+</sub>	V	
ON-state resistance	r <sub>on</sub>	0 ≤ (V <sub>NC</sub> or V <sub>NO</sub> ) ≤ V <sub>+</sub> , I <sub>COM</sub> = –32 mA, Switch ON, See <a href="#">Figure 18</a>	25°C	1.65 V		5.50	8.00	Ω	
			Full			14.55			
ON-state resistance match between channels	Δr <sub>on</sub>	V <sub>NC</sub> or V <sub>NO</sub> = 1.5 V, I <sub>COM</sub> = –32 mA, Switch ON, See <a href="#">Figure 18</a>	25°C	1.65 V		0.30	1.00	Ω	
			Full			1.2			
ON-state resistance flatness	r <sub>on(flat)</sub>	0 ≤ (V <sub>NC</sub> or V <sub>NO</sub> ) ≤ V <sub>+</sub> , I <sub>COM</sub> = –32 mA, Switch ON, See <a href="#">Figure 18</a>	25°C	1.65 V		2.70	5.50	Ω	
			Full			7.30			
NC, NO OFF leakage current	I <sub>NC(OFF)</sub> , I <sub>NO(OFF)</sub>	V <sub>NC</sub> or V <sub>NO</sub> = 0.3 V, V <sub>COM</sub> = 1.65V, or V <sub>NC</sub> or V <sub>NO</sub> = 1.65V, V <sub>COM</sub> = 0.3 V, Switch OFF, See <a href="#">Figure 19</a>	25°C	1.95 V		–0.25	0.03	0.25	μA
			Full			–4.5	4.50		
		V <sub>NC</sub> or V <sub>NO</sub> = 1.95 V to 0 V, V <sub>COM</sub> = 0 V to 1.95 V, or V <sub>NC</sub> or V <sub>NO</sub> = 0 V to 1.95 V, V <sub>COM</sub> = 1.95 V to 0 V, Switch OFF, See <a href="#">Figure 19</a>	25°C	0 V		–0.40	0.01	0.40	
			Full			–6.5	6.50		
COM OFF leakage current	I <sub>COM(OFF)</sub>	V <sub>COM</sub> = 1.65 V, V <sub>NC</sub> or V <sub>NO</sub> = 0.3V, or V <sub>COM</sub> = 0.3 V, V <sub>NC</sub> or V <sub>NO</sub> = 1.65V, Switch OFF, See <a href="#">Figure 19</a>	25°C	1.95 V		–0.40	0.02	0.40	μA
			Full			–0.90	0.90		
		V <sub>COM</sub> = 0 V to 1.95 V, V <sub>NC</sub> or V <sub>NO</sub> = 1.95 V to 0 V, or V <sub>COM</sub> = 1.95 V to 0, V <sub>NC</sub> or V <sub>NO</sub> = 0 to 1.95 V, Switch OFF, See <a href="#">Figure 19</a>	25°C	0 V		–0.40	0.02	0.40	
			Full			–4.50	4.50		
NC, NO ON leakage current	I <sub>NC(ON)</sub> , I <sub>NO(ON)</sub>	V <sub>NC</sub> or V <sub>NO</sub> = 0.3 V, V <sub>COM</sub> = Open, or V <sub>NC</sub> or V <sub>NO</sub> = 1.65 V, V <sub>COM</sub> = Open, Switch ON, See <a href="#">Figure 20</a>	25°C	1.95 V		–2.0	0.02	2.00	μA
			Full			–2.0	0.02	2.00	
COM ON leakage current	I <sub>COM(ON)</sub>	V <sub>COM</sub> = 0.3 V, V <sub>NC</sub> or V <sub>NO</sub> = Open, or V <sub>COM</sub> = 1.65 V, V <sub>NC</sub> or V <sub>NO</sub> = Open, Switch ON, See <a href="#">Figure 20</a>	25°C	1.95 V		–4.50	4.50	μA	
			Full						
<b>Digital Control Inputs (IN, EN)<sup>(2)</sup></b>									
Input logic high	V <sub>IH</sub>	V <sub>I</sub> = V <sub>+</sub> or GND	Full	1.95 V	1.00		3.60	V	
Input logic low	V <sub>IL</sub>		Full	1.95 V	0.00		0.40	V	
Input leakage current	I <sub>IH</sub> , I <sub>IL</sub>	V <sub>I</sub> = V <sub>+</sub> or 0	25°C	1.95 V		–0.10	0.01	0.10	μA
			Full			–2.10	2.10		

(1) The algebraic convention is used in this data sheet; the most negative value is shown in the minimum column.

(2) All unused digital inputs of the device must be held at V<sub>+</sub> or GND to ensure proper device operation. Refer to the TI application report, *Implications of Slow or Floating CMOS Inputs*, literature number SCBA004.

**Electrical Characteristics for 1.8-V Supply<sup>(1)</sup> (continued)**
 $V_+ = 1.6\text{ V to }2.0\text{ V}$ ,  $T_A = -40^\circ\text{C to }85^\circ\text{C}$  (unless otherwise noted)

PARAMETER	SYMBOL	TEST CONDITIONS	$T_A$	$V_+$	MIN	TYP	MAX	UNIT	
<b>Dynamic</b>									
Turn-on time	$t_{ON}$	$V_{COM} = V_+$ , $R_L = 50\ \Omega$ ,	$C_L = 35\text{ pF}$ , See <a href="#">Figure 22</a>	25°C	1.8 V	14.10	49.30	ns	
				Full	1.65 V to 1.95 V	49.30	56.70		
Turn-off time	$t_{OFF}$	$V_{COM} = V_+$ , $R_L = 50\ \Omega$ ,	$C_L = 35\text{ pF}$ , See <a href="#">Figure 22</a>	25°C	1.8 V	16.10	26.50	ns	
				Full	1.65 V to 1.95 V		31.20		
Break-before-make time	$t_{BBM}$	$V_{NC} = V_{NO} = V_+/2$ , $R_L = 50\ \Omega$ ,	$C_L = 35\text{ pF}$ , See <a href="#">Figure 22</a>	25°C	1.8 V	5.30	18.40	58.00	ns
				Full	1.65 V to 1.95 V			58.00	

TYPICAL PERFORMANCE

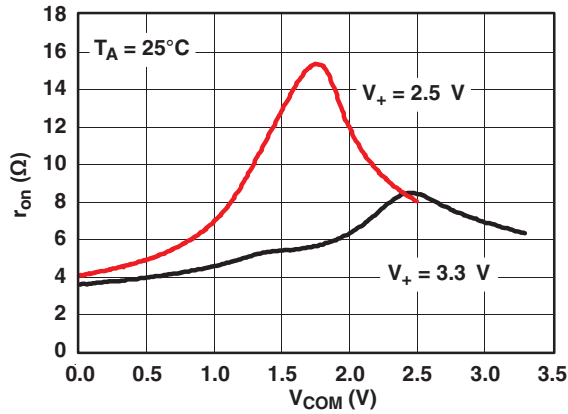


Figure 1.  $r_{on}$  vs  $V_{COM}$

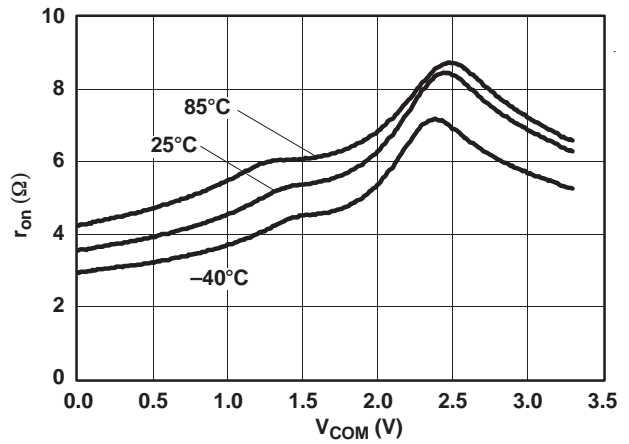


Figure 2.  $r_{on}$  vs  $V_{COM}$  ( $V_+ = 2.5$  V)

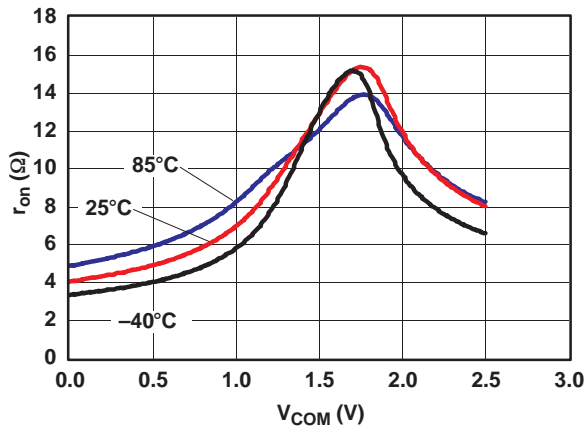


Figure 3.  $r_{on}$  vs  $V_{COM}$  ( $V_+ = 2.5$  V)

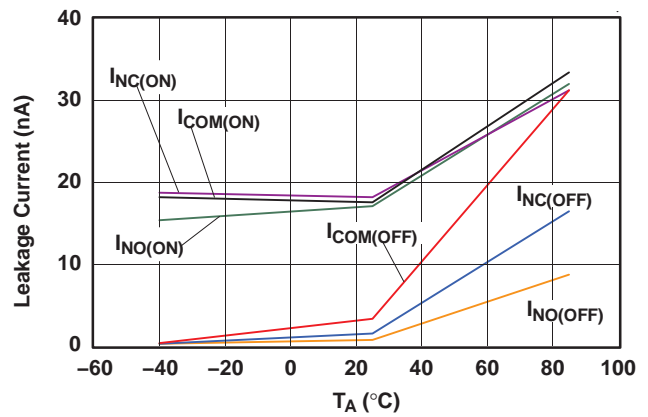


Figure 4. Leakage Current vs Temperature ( $V_+ = 3.6$  V)

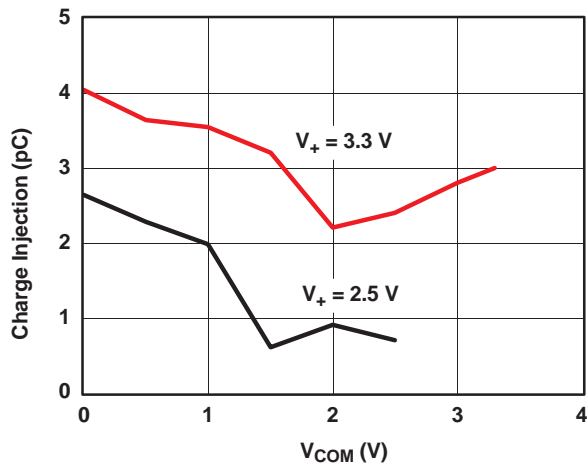


Figure 5. Charge Injection ( $Q_C$ ) vs  $V_{COM}$

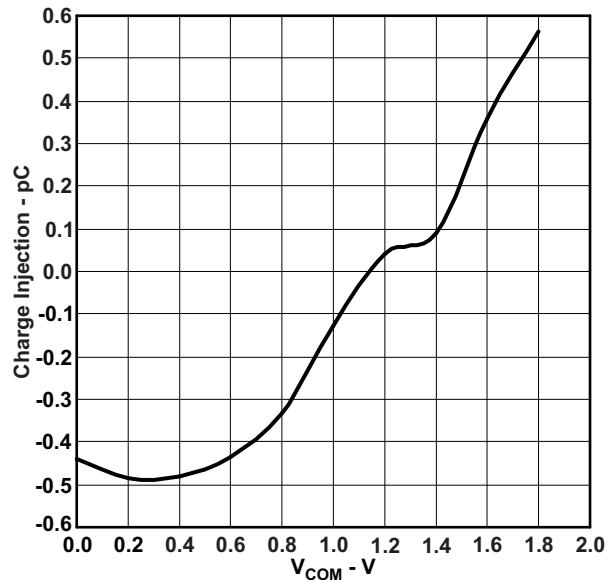


Figure 6. Charge Injection ( $Q_C$ ) vs  $V_{COM}$  ( $V_+ = 1.8$  V)

TYPICAL PERFORMANCE (continued)

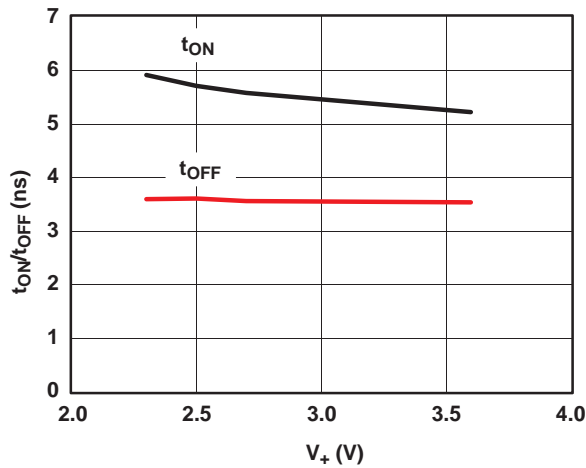


Figure 7.  $t_{ON}$  and  $t_{OFF}$  vs Supply Voltage

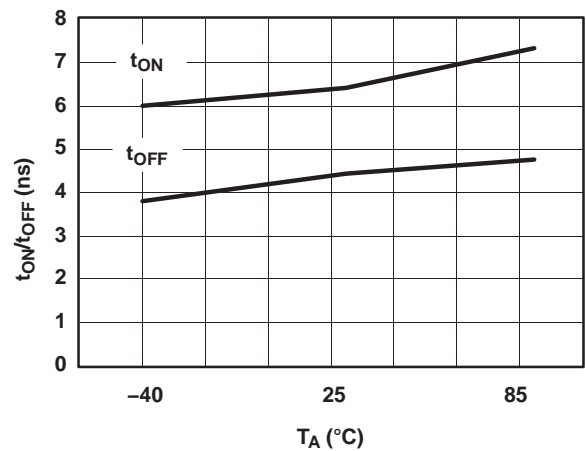


Figure 8.  $t_{ON}$  and  $t_{OFF}$  vs Temperature ( $V_+ = 3.3$  V)

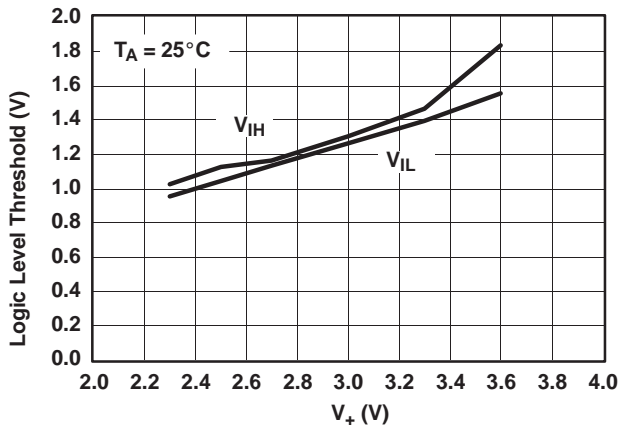


Figure 9. Logic-Level Threshold vs  $V_+$

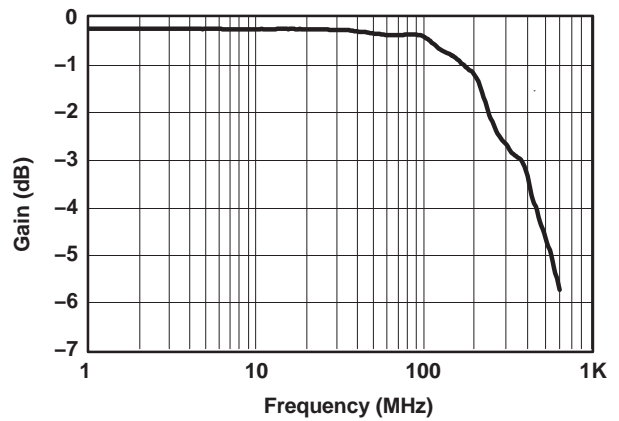


Figure 10. Gain vs Frequency Bandwidth ( $V_+ = 3.3$  V)

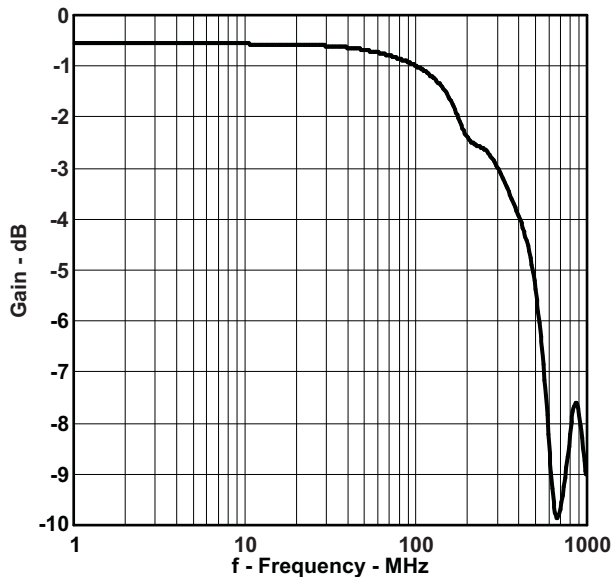


Figure 11. Gain vs Frequency Bandwidth ( $V_+ = 1.8$  V)

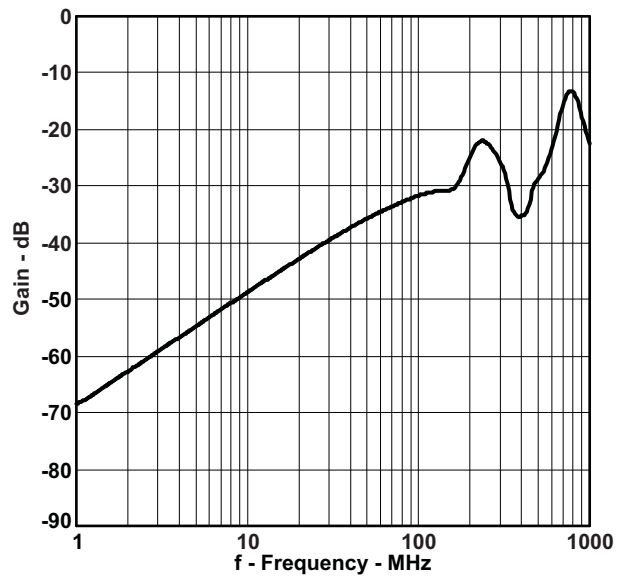


Figure 12. OFF Isolation and Crosstalk vs Frequency ( $V_+ = 1.8$  V)

TYPICAL PERFORMANCE (continued)

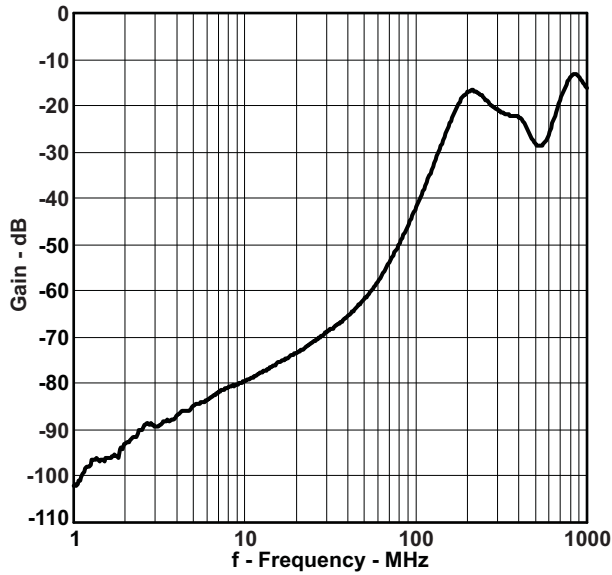


Figure 13. Crosstalk Adjacent vs Frequency ( $V_+ = 1.8\text{ V}$ )

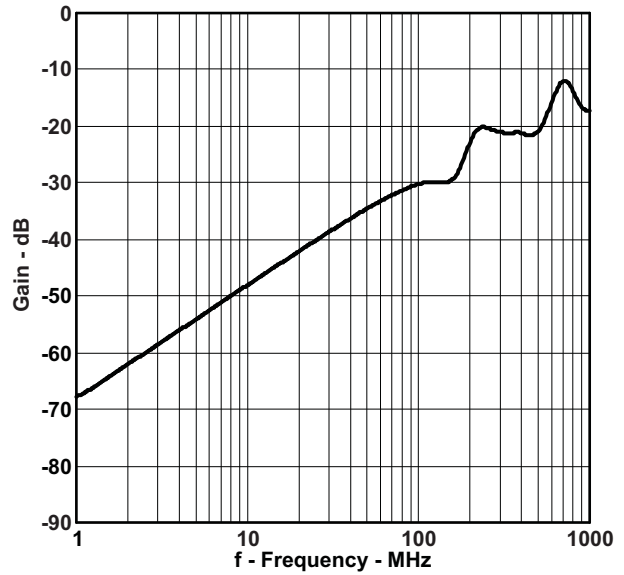


Figure 14. Crosstalk vs Frequency ( $V_+ = 1.8\text{ V}$ )

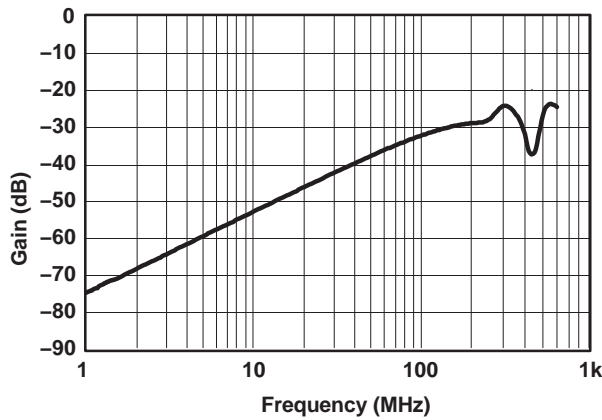


Figure 15. OFF Isolation and Crosstalk vs Frequency ( $V_+ = 3.3\text{ V}$ )

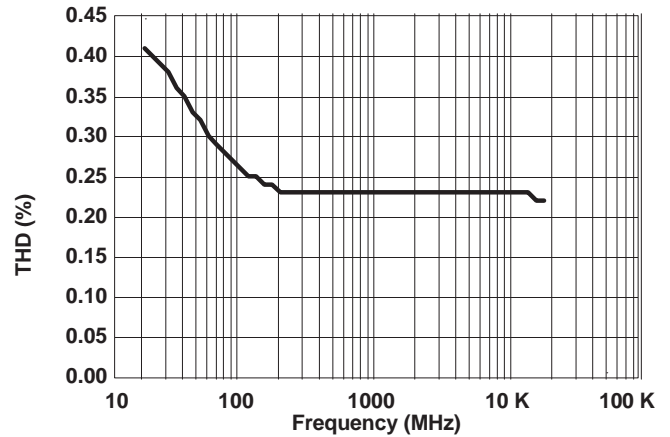


Figure 16. Total Harmonic Distortion vs Frequency

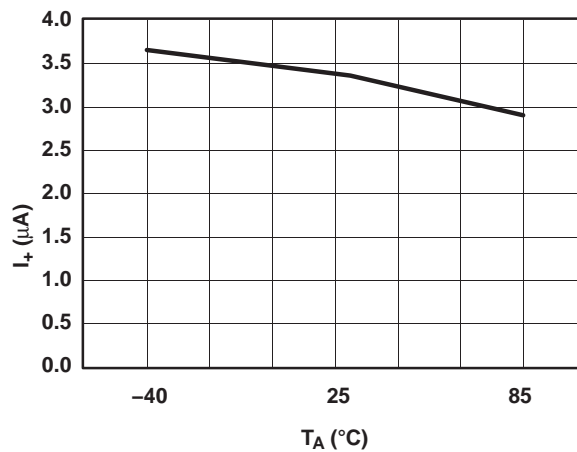


Figure 17. Power-Supply Current vs Temperature ( $V_+ = 3.3\text{ V}$ )

**PIN DESCRIPTION**

<b>PIN NO.</b>	<b>NAME</b>	<b>DESCRIPTION</b>
1	IN	Digital control pin to select between NC and NO
2	NC1	Normally closed
3	NO1	Normally open
4	COM1	Common
5	NC2	Normally closed
6	NO2	Normally open
7	COM2	Common
8	GND	Digital ground
9	COM3	Common
10	NO3	Normally open
11	NC3	Normally closed
12	COM4	Common
13	NO4	Normally open
14	NC4	Normally closed
15	$\overline{\text{EN}}$	Chip enable (active low)
16	V <sub>+</sub>	Power supply

## PARAMETER DESCRIPTION

SYMBOL	DESCRIPTION
$V_{COM}$	Voltage at COM
$V_{NC}$	Voltage at NC
$V_{NO}$	Voltage at NO
$r_{on}$	Resistance between COM and NC or NO ports when the channel is ON
$\Delta r_{on}$	Difference of $r_{on}$ between channels in a specific device
$r_{on(flat)}$	Difference between the maximum and minimum value of $r_{on}$ in a channel over the specified range of conditions
$I_{NC(OFF)}$	Leakage current measured at the NC port, with the corresponding channel (NC to COM) in the OFF state
$I_{NC(ON)}$	Leakage current measured at the NC port, with the corresponding channel (NC to COM) in the ON state and the output (COM) open
$I_{NO(OFF)}$	Leakage current measured at the NO port, with the corresponding channel (NO to COM) in the OFF state
$I_{NO(ON)}$	Leakage current measured at the NO port, with the corresponding channel (NO to COM) in the ON state and the output (COM) open
$I_{COM(OFF)}$	Leakage current measured at the COM port, with the corresponding channel (COM to NC or NO) in the OFF state
$I_{COM(ON)}$	Leakage current measured at the COM port, with the corresponding channel (COM to NC or NO) in the ON state and the output (NC or NO) open
$V_{IH}$	Minimum input voltage for logic high for the control input (IN, $\overline{EN}$ )
$V_{IL}$	Maximum input voltage for logic low for the control input (IN, $\overline{EN}$ )
$V_I$	Voltage at the control input (IN, $\overline{EN}$ )
$I_{IH}, I_{IL}$	Leakage current measured at the control input (IN, $\overline{EN}$ )
$t_{ON}$	Turn-on time for the switch. This parameter is measured under the specified range of conditions and by the propagation delay between the digital control (IN) signal and analog output NC or NO) signal when the switch is turning ON.
$t_{OFF}$	Turn-off time for the switch. This parameter is measured under the specified range of conditions and by the propagation delay between the digital control (IN) signal and analog output (NC or NO) signal when the switch is turning OFF.
$Q_C$	Charge injection is a measurement of unwanted signal coupling from the control (IN) input to the analog (NC or NO) output. This is measured in coulomb (C) and measured by the total charge induced due to switching of the control input. Charge injection, $Q_C = C_L \times \Delta V_{COM}$ , $C_L$ is the load capacitance and $\Delta V_{COM}$ is the change in analog output voltage.
$C_{NC(OFF)}$	Capacitance at the NC port when the corresponding channel (NC to COM) is OFF
$C_{NC(ON)}$	Capacitance at the NC port when the corresponding channel (NC to COM) is ON
$C_{NO(OFF)}$	Capacitance at the NO port when the corresponding channel (NO to COM) is OFF
$C_{NO(ON)}$	Capacitance at the NO port when the corresponding channel (NO to COM) is ON
$C_{COM(OFF)}$	Capacitance at the COM port when the corresponding channel (COM to NC) is OFF
$C_{COM(ON)}$	Capacitance at the COM port when the corresponding channel (COM to NC) is ON
$C_I$	Capacitance of control input (IN, $\overline{EN}$ )
$O_{ISO}$	OFF isolation of the switch is a measurement of OFF-state switch impedence. This is measured in dB in a specific frequency, with the corresponding channel (NC to COM) in the OFF state.
$X_{TALK}$	Crosstalk is a measurement of unwanted signal coupling from an ON channel to an OFF channel (NC1 to NO1). Adjacent crosstalk is a measure of unwanted signal coupling from an ON channel to an adjacent ON channel (NC1 to NC2). This is measured in a specific frequency and in dB.
BW	Bandwidth of the switch. This is the frequency in which the gain of an ON channel is –3 dB below the DC gain.
THD	Total harmonic distortion describes the signal distortion caused by the analog switch. This is defined as the ratio of root mean square (RMS) value of the second, third, and higher harmonic to the absolute magnitude of the fundamental harmonic.
$I_+$	Static power-supply current with the control (IN) pin at $V_+$ or GND

PARAMETER MEASUREMENT INFORMATION

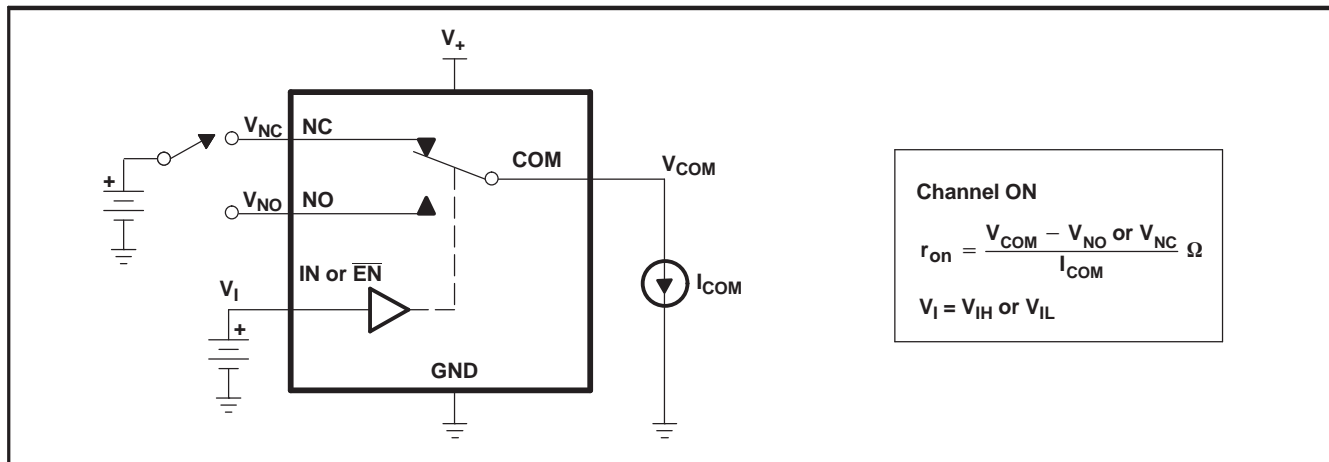


Figure 18. ON-State Resistance ( $r_{on}$ )

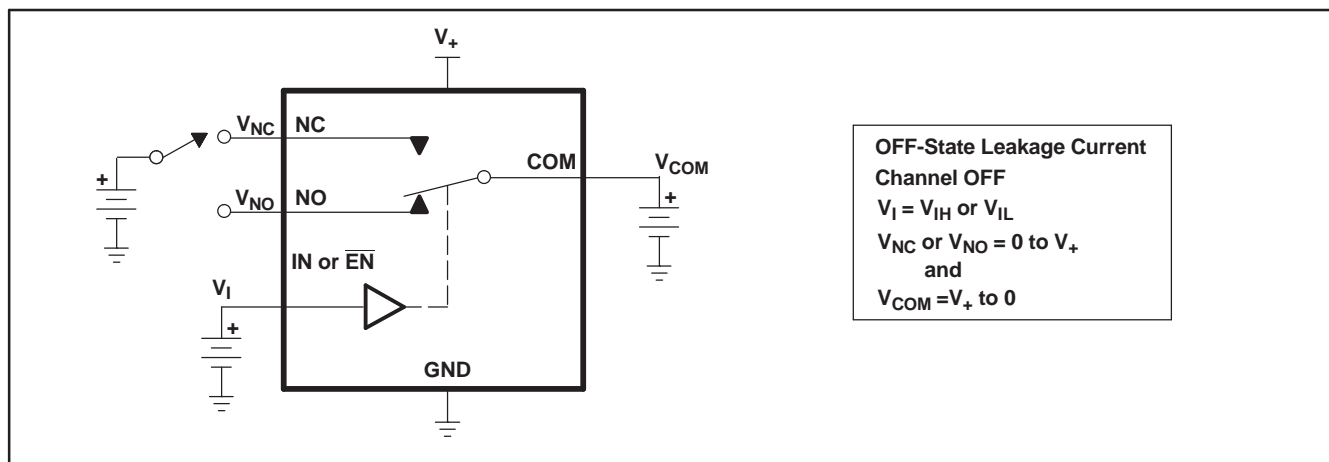


Figure 19. OFF-State Leakage Current ( $I_{COM(OFF)}$ ,  $I_{NC(OFF)}$ ,  $I_{NO(OFF)}$ )

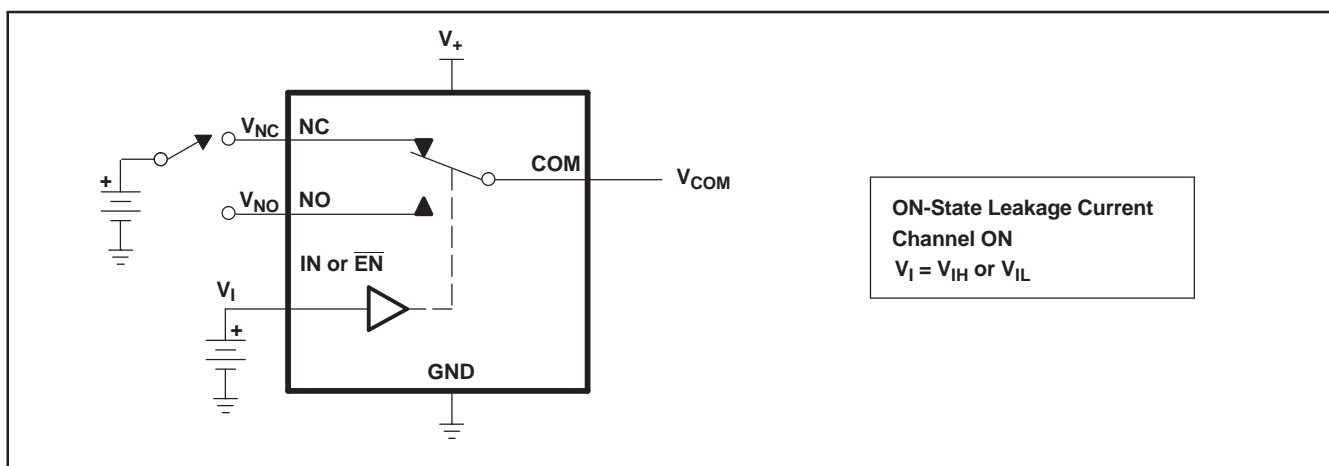
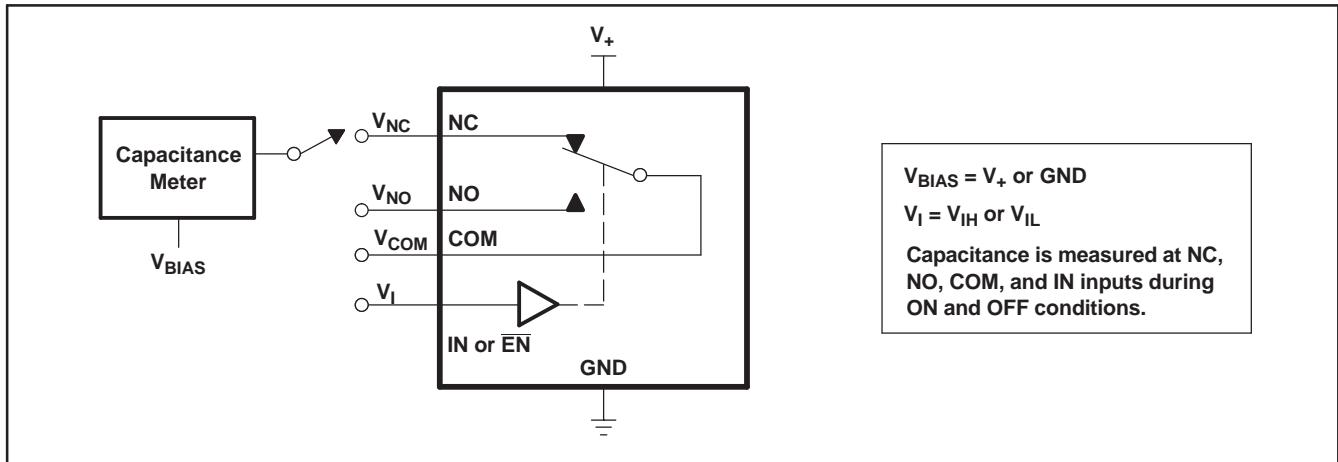
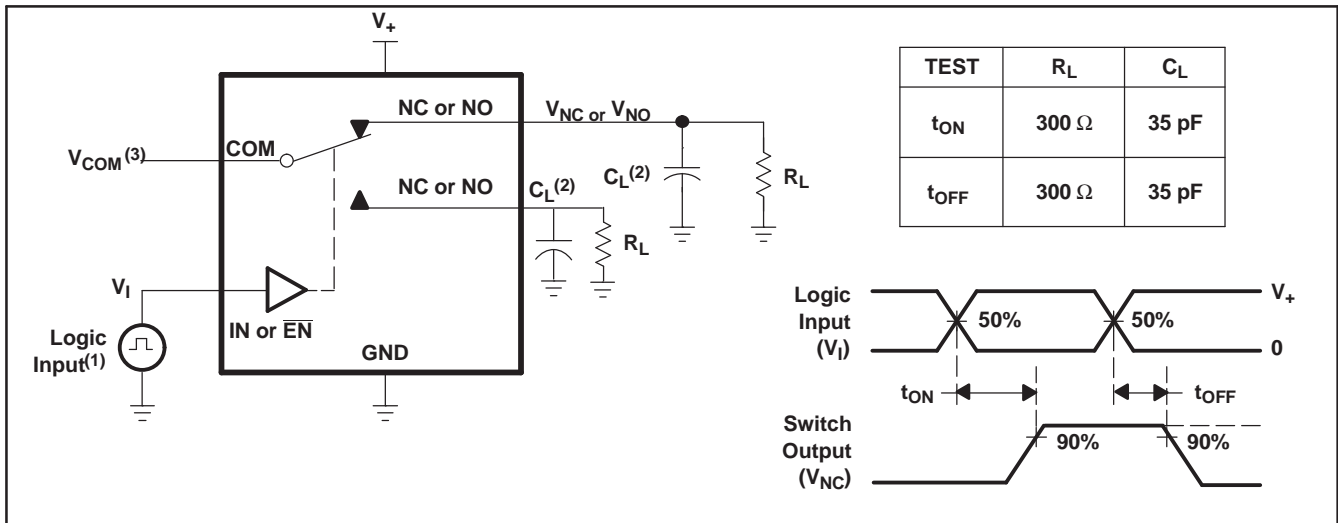


Figure 20. ON-State Leakage Current ( $I_{COM(ON)}$ ,  $I_{NC(ON)}$ )

**PARAMETER MEASUREMENT INFORMATION (continued)**



**Figure 21. Capacitance ( $C_I$ ,  $C_{COM(OFF)}$ ,  $C_{COM(ON)}$ ,  $C_{NC(OFF)}$ ,  $C_{NC(ON)}$ )**



- A. All input pulses are supplied by generators having the following characteristics: PRR  $\leq$  10 MHz,  $Z_O = 50 \Omega$ ,  $t_r < 5$  ns,  $t_f < 5$  ns.
- B.  $C_L$  includes probe and jig capacitance.
- C. See Electrical Characteristics for  $V_{COM}$ .

**Figure 22. Turn-On ( $t_{ON}$ ) and Turn-Off Time ( $t_{OFF}$ )**

PARAMETER MEASUREMENT INFORMATION (continued)

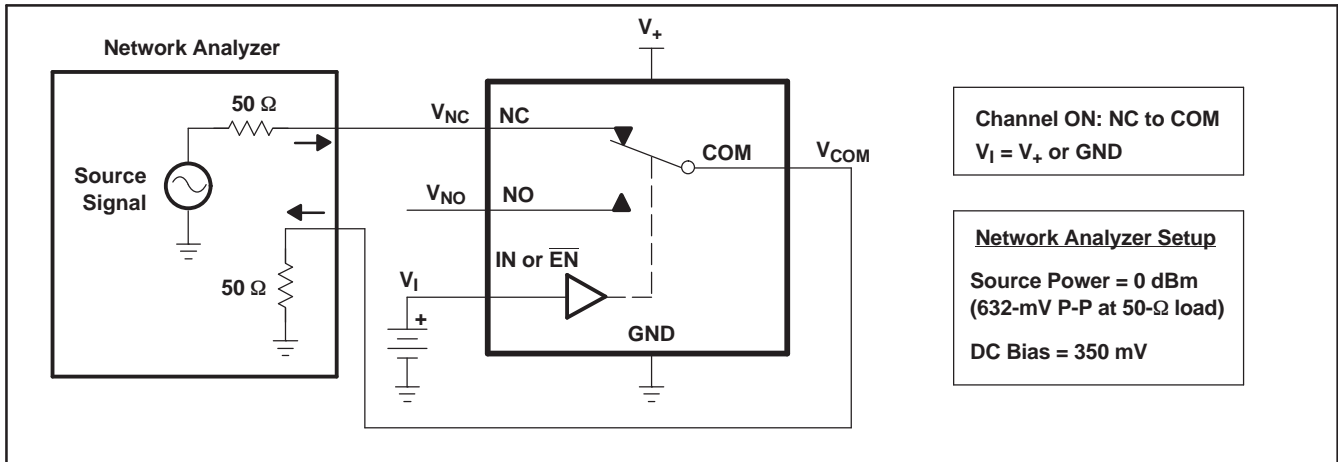


Figure 23. Bandwidth (BW)

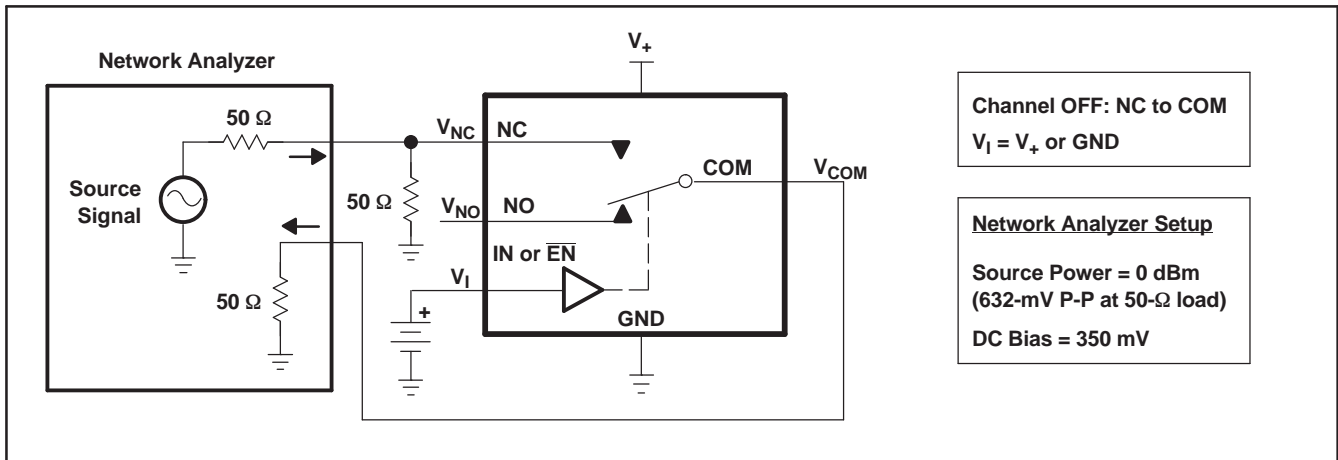


Figure 24. OFF Isolation ( $O_{ISO}$ )

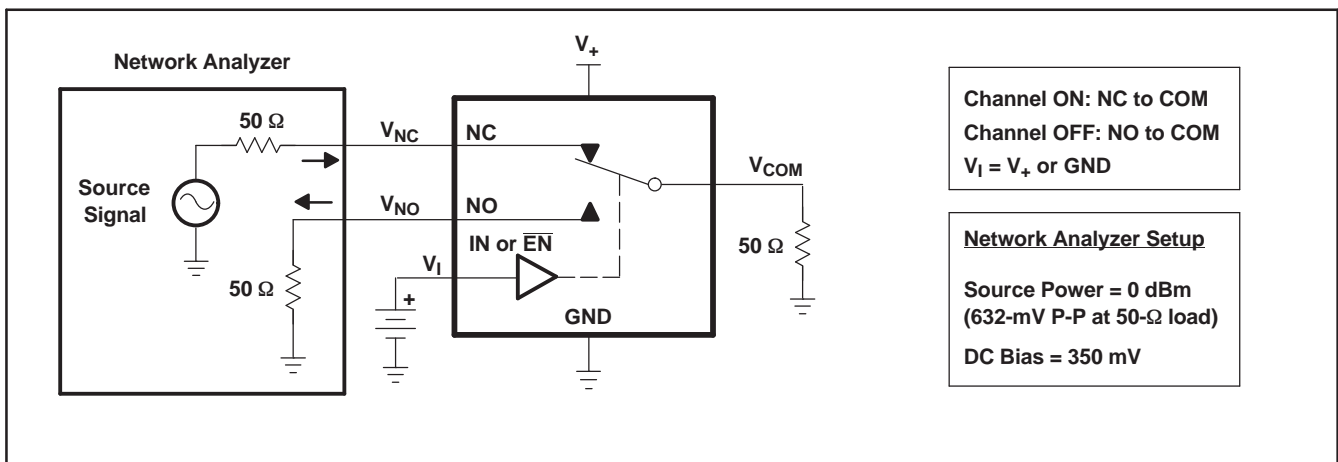


Figure 25. Crosstalk ( $X_{TALK}$ )

PARAMETER MEASUREMENT INFORMATION (continued)

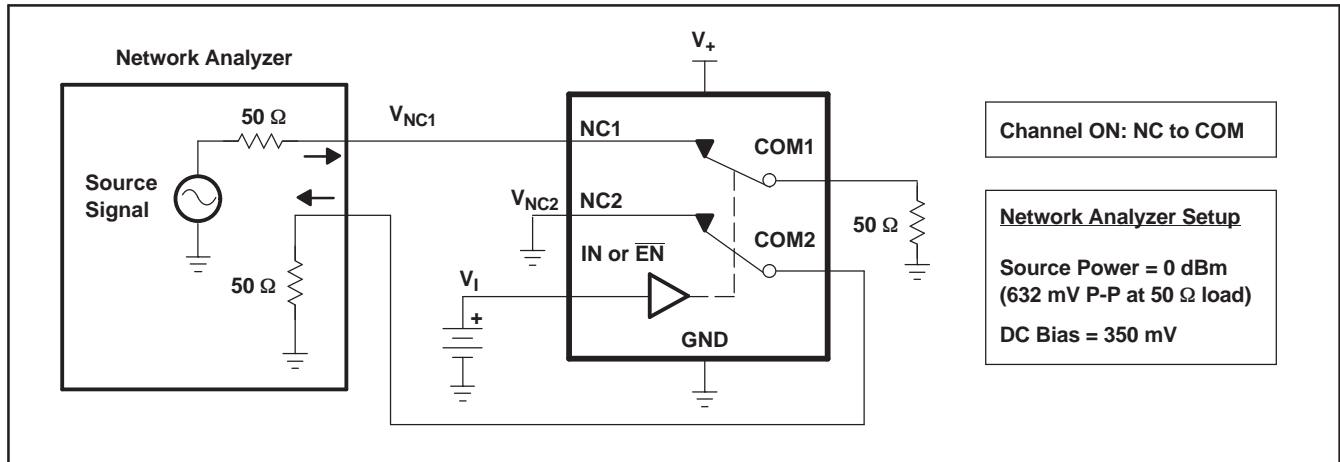
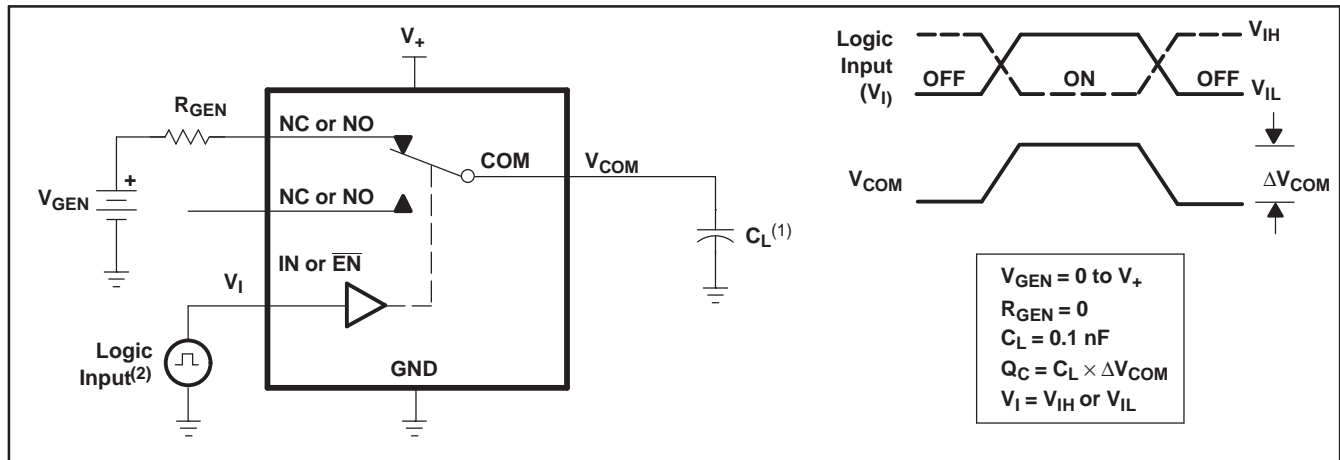


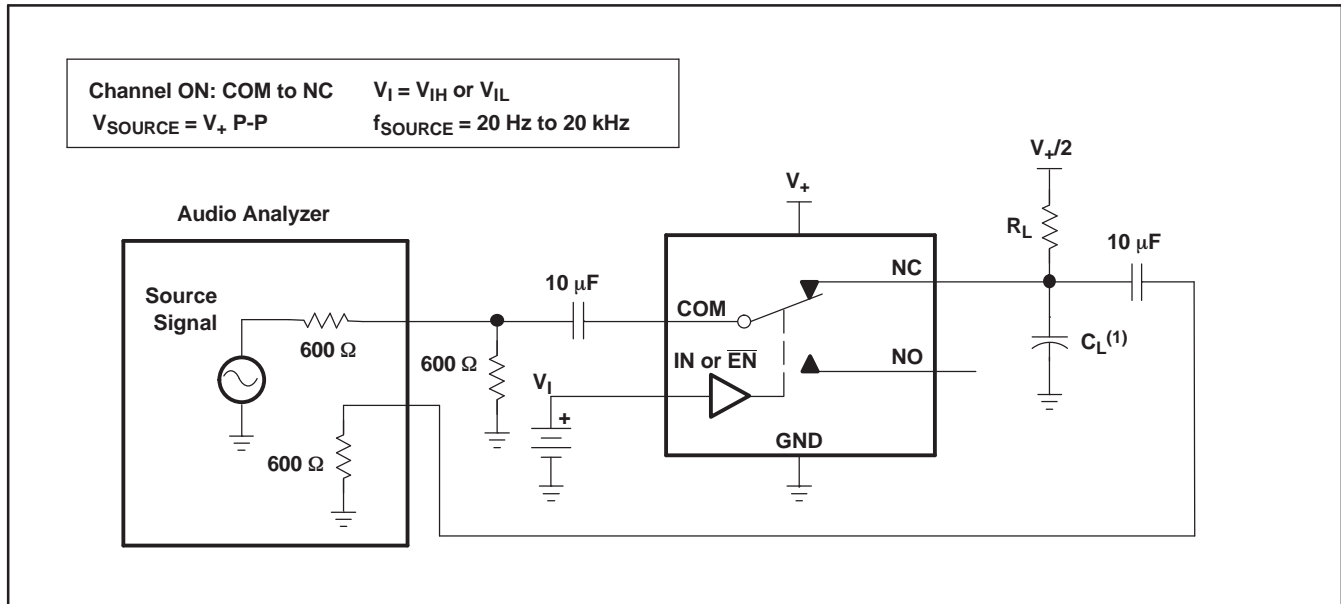
Figure 26. Crosstalk Adjacent



- A.  $C_L$  includes probe and jig capacitance.
- B. All input pulses are supplied by generators having the following characteristics:  $PRR \leq 10$  MHz,  $Z_O = 50 \Omega$ ,  $t_r < 5$  ns,  $t_f < 5$  ns.

Figure 27. Charge Injection ( $Q_C$ )

PARAMETER MEASUREMENT INFORMATION (continued)



A.  $C_L$  includes probe and jig capacitance.

Figure 28. Total Harmonic Distortion (THD)

## REVISION HISTORY

Changes from Revision D (March 2010) to Revision E	Page
• Changed Single-Supply Operation in Features to 1.8-V to 3.6-V .....	1
• Changed $V_+$ range to 1.6 V to 2.0 V for 1.8-V Supply. ....	8
• Changed $V_+$ range to 1.6 V to 2.0 V for 1.8-V Supply. ....	9

**PACKAGING INFORMATION**

Orderable Device	Status <sup>(1)</sup>	Package Type	Package Drawing	Pins	Package Qty	Eco Plan <sup>(2)</sup>	Lead/ Ball Finish	MSL Peak Temp <sup>(3)</sup>	Samples (Requires Login)
TS3A5018D	ACTIVE	SOIC	D	16	40	Green (RoHS & no Sb/Br)	CU NIPDAU	Level-1-260C-UNLIM	Contact TI Distributor or Sales Office
TS3A5018DBQR	ACTIVE	SSOP/QSOP	DBQ	16	2500	Green (RoHS & no Sb/Br)	CU NIPDAU	Level-2-260C-1 YEAR	<a href="#">Request Free Samples</a>
TS3A5018DBQRE4	ACTIVE	SSOP/QSOP	DBQ	16	2500	Green (RoHS & no Sb/Br)	CU NIPDAU	Level-2-260C-1 YEAR	<a href="#">Request Free Samples</a>
TS3A5018DBQRG4	ACTIVE	SSOP/QSOP	DBQ	16	2500	Green (RoHS & no Sb/Br)	CU NIPDAU	Level-2-260C-1 YEAR	<a href="#">Request Free Samples</a>
TS3A5018DE4	ACTIVE	SOIC	D	16	40	Green (RoHS & no Sb/Br)	CU NIPDAU	Level-1-260C-UNLIM	Contact TI Distributor or Sales Office
TS3A5018DG4	ACTIVE	SOIC	D	16	40	Green (RoHS & no Sb/Br)	CU NIPDAU	Level-1-260C-UNLIM	Contact TI Distributor or Sales Office
TS3A5018DGV	ACTIVE	TVSOP	DGV	16	2000	Green (RoHS & no Sb/Br)	CU NIPDAU	Level-1-260C-UNLIM	<a href="#">Request Free Samples</a>
TS3A5018DGVRE4	ACTIVE	TVSOP	DGV	16	2000	Green (RoHS & no Sb/Br)	CU NIPDAU	Level-1-260C-UNLIM	<a href="#">Request Free Samples</a>
TS3A5018DGVRG4	ACTIVE	TVSOP	DGV	16	2000	Green (RoHS & no Sb/Br)	CU NIPDAU	Level-1-260C-UNLIM	<a href="#">Request Free Samples</a>
TS3A5018DR	ACTIVE	SOIC	D	16	2500	Green (RoHS & no Sb/Br)	CU NIPDAU	Level-1-260C-UNLIM	<a href="#">Request Free Samples</a>
TS3A5018DRE4	ACTIVE	SOIC	D	16	2500	Green (RoHS & no Sb/Br)	CU NIPDAU	Level-1-260C-UNLIM	<a href="#">Request Free Samples</a>
TS3A5018DRG4	ACTIVE	SOIC	D	16	2500	Green (RoHS & no Sb/Br)	CU NIPDAU	Level-1-260C-UNLIM	<a href="#">Request Free Samples</a>
TS3A5018PW	ACTIVE	TSSOP	PW	16	90	Green (RoHS & no Sb/Br)	CU NIPDAU	Level-1-260C-UNLIM	Contact TI Distributor or Sales Office
TS3A5018PWE4	ACTIVE	TSSOP	PW	16	90	Green (RoHS & no Sb/Br)	CU NIPDAU	Level-1-260C-UNLIM	Contact TI Distributor or Sales Office
TS3A5018PWG4	ACTIVE	TSSOP	PW	16	90	Green (RoHS & no Sb/Br)	CU NIPDAU	Level-1-260C-UNLIM	Contact TI Distributor or Sales Office
TS3A5018PWR	ACTIVE	TSSOP	PW	16	2000	Green (RoHS & no Sb/Br)	CU NIPDAU	Level-1-260C-UNLIM	<a href="#">Request Free Samples</a>
TS3A5018PWRE4	ACTIVE	TSSOP	PW	16	2000	Green (RoHS & no Sb/Br)	CU NIPDAU	Level-1-260C-UNLIM	<a href="#">Request Free Samples</a>

Orderable Device	Status <sup>(1)</sup>	Package Type	Package Drawing	Pins	Package Qty	Eco Plan <sup>(2)</sup>	Lead/ Ball Finish	MSL Peak Temp <sup>(3)</sup>	Samples (Requires Login)
TS3A5018PWRG4	ACTIVE	TSSOP	PW	16	2000	Green (RoHS & no Sb/Br)	CU NIPDAU	Level-1-260C-UNLIM	<a href="#">Request Free Samples</a>
TS3A5018RGYR	ACTIVE	VQFN	RGY	16	3000	Green (RoHS & no Sb/Br)	CU NIPDAU	Level-2-260C-1 YEAR	<a href="#">Request Free Samples</a>
TS3A5018RGYRG4	ACTIVE	VQFN	RGY	16	3000	Green (RoHS & no Sb/Br)	CU NIPDAU	Level-2-260C-1 YEAR	<a href="#">Request Free Samples</a>
TS3A5018RSVR	ACTIVE	UQFN	RSV	16	3000	Green (RoHS & no Sb/Br)	CU NIPDAU	Level-1-260C-UNLIM	<a href="#">Request Free Samples</a>

<sup>(1)</sup> The marketing status values are defined as follows:

**ACTIVE:** Product device recommended for new designs.

**LIFEBUY:** TI has announced that the device will be discontinued, and a lifetime-buy period is in effect.

**NRND:** Not recommended for new designs. Device is in production to support existing customers, but TI does not recommend using this part in a new design.

**PREVIEW:** Device has been announced but is not in production. Samples may or may not be available.

**OBSOLETE:** TI has discontinued the production of the device.

<sup>(2)</sup> Eco Plan - The planned eco-friendly classification: Pb-Free (RoHS), Pb-Free (RoHS Exempt), or Green (RoHS & no Sb/Br) - please check <http://www.ti.com/productcontent> for the latest availability information and additional product content details.

**TBD:** The Pb-Free/Green conversion plan has not been defined.

**Pb-Free (RoHS):** TI's terms "Lead-Free" or "Pb-Free" mean semiconductor products that are compatible with the current RoHS requirements for all 6 substances, including the requirement that lead not exceed 0.1% by weight in homogeneous materials. Where designed to be soldered at high temperatures, TI Pb-Free products are suitable for use in specified lead-free processes.

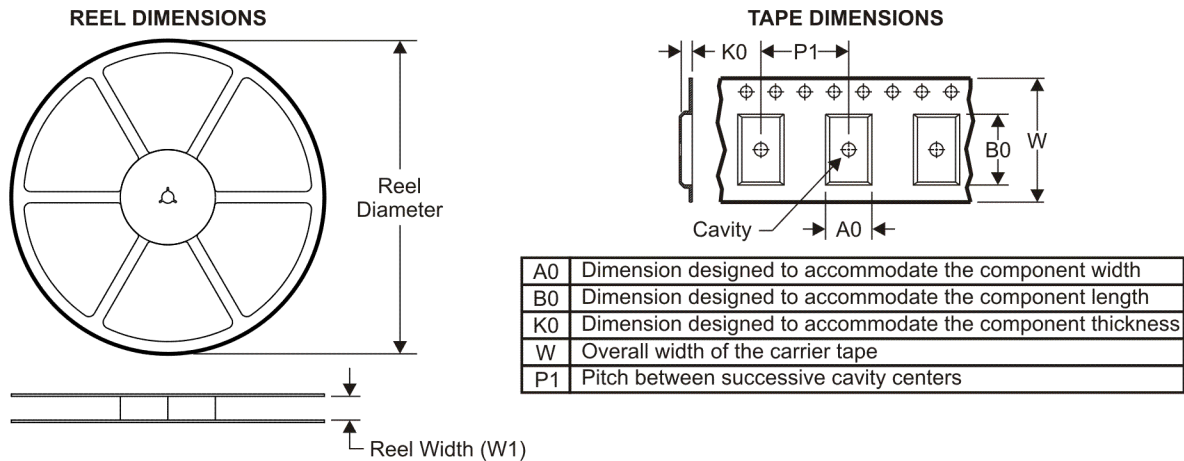
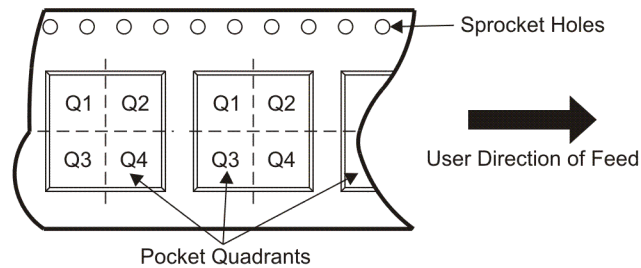
**Pb-Free (RoHS Exempt):** This component has a RoHS exemption for either 1) lead-based flip-chip solder bumps used between the die and package, or 2) lead-based die adhesive used between the die and leadframe. The component is otherwise considered Pb-Free (RoHS compatible) as defined above.

**Green (RoHS & no Sb/Br):** TI defines "Green" to mean Pb-Free (RoHS compatible), and free of Bromine (Br) and Antimony (Sb) based flame retardants (Br or Sb do not exceed 0.1% by weight in homogeneous material)

<sup>(3)</sup> MSL, Peak Temp. -- The Moisture Sensitivity Level rating according to the JEDEC industry standard classifications, and peak solder temperature.

**Important Information and Disclaimer:** The information provided on this page represents TI's knowledge and belief as of the date that it is provided. TI bases its knowledge and belief on information provided by third parties, and makes no representation or warranty as to the accuracy of such information. Efforts are underway to better integrate information from third parties. TI has taken and continues to take reasonable steps to provide representative and accurate information but may not have conducted destructive testing or chemical analysis on incoming materials and chemicals. TI and TI suppliers consider certain information to be proprietary, and thus CAS numbers and other limited information may not be available for release.

In no event shall TI's liability arising out of such information exceed the total purchase price of the TI part(s) at issue in this document sold by TI to Customer on an annual basis.

**TAPE AND REEL INFORMATION**

**QUADRANT ASSIGNMENTS FOR PIN 1 ORIENTATION IN TAPE**


\*All dimensions are nominal

Device	Package Type	Package Drawing	Pins	SPQ	Reel Diameter (mm)	Reel Width W1 (mm)	A0 (mm)	B0 (mm)	K0 (mm)	P1 (mm)	W (mm)	Pin1 Quadrant
TS3A5018DGVR	TVSOP	DGV	16	2000	330.0	12.4	6.8	4.0	1.6	8.0	12.0	Q1
TS3A5018DR	SOIC	D	16	2500	330.0	16.4	6.5	10.3	2.1	8.0	16.0	Q1
TS3A5018PWR	TSSOP	PW	16	2000	330.0	12.4	6.9	5.6	1.6	8.0	12.0	Q1
TS3A5018RGYR	VQFN	RGY	16	3000	330.0	12.4	3.8	4.3	1.5	8.0	12.0	Q1
TS3A5018RSVR	UQFN	RSV	16	3000	177.8	12.4	2.0	2.8	0.7	4.0	12.0	Q1

**TAPE AND REEL BOX DIMENSIONS**




\*All dimensions are nominal

Device	Package Type	Package Drawing	Pins	SPQ	Length (mm)	Width (mm)	Height (mm)
TS3A5018DGVR	TVSOP	DGV	16	2000	346.0	346.0	29.0
TS3A5018DR	SOIC	D	16	2500	333.2	345.9	28.6
TS3A5018PWR	TSSOP	PW	16	2000	346.0	346.0	29.0
TS3A5018RGYR	VQFN	RGY	16	3000	346.0	346.0	29.0
TS3A5018RSVR	UQFN	RSV	16	3000	202.0	201.0	28.0

D (R-PDSO-G16)

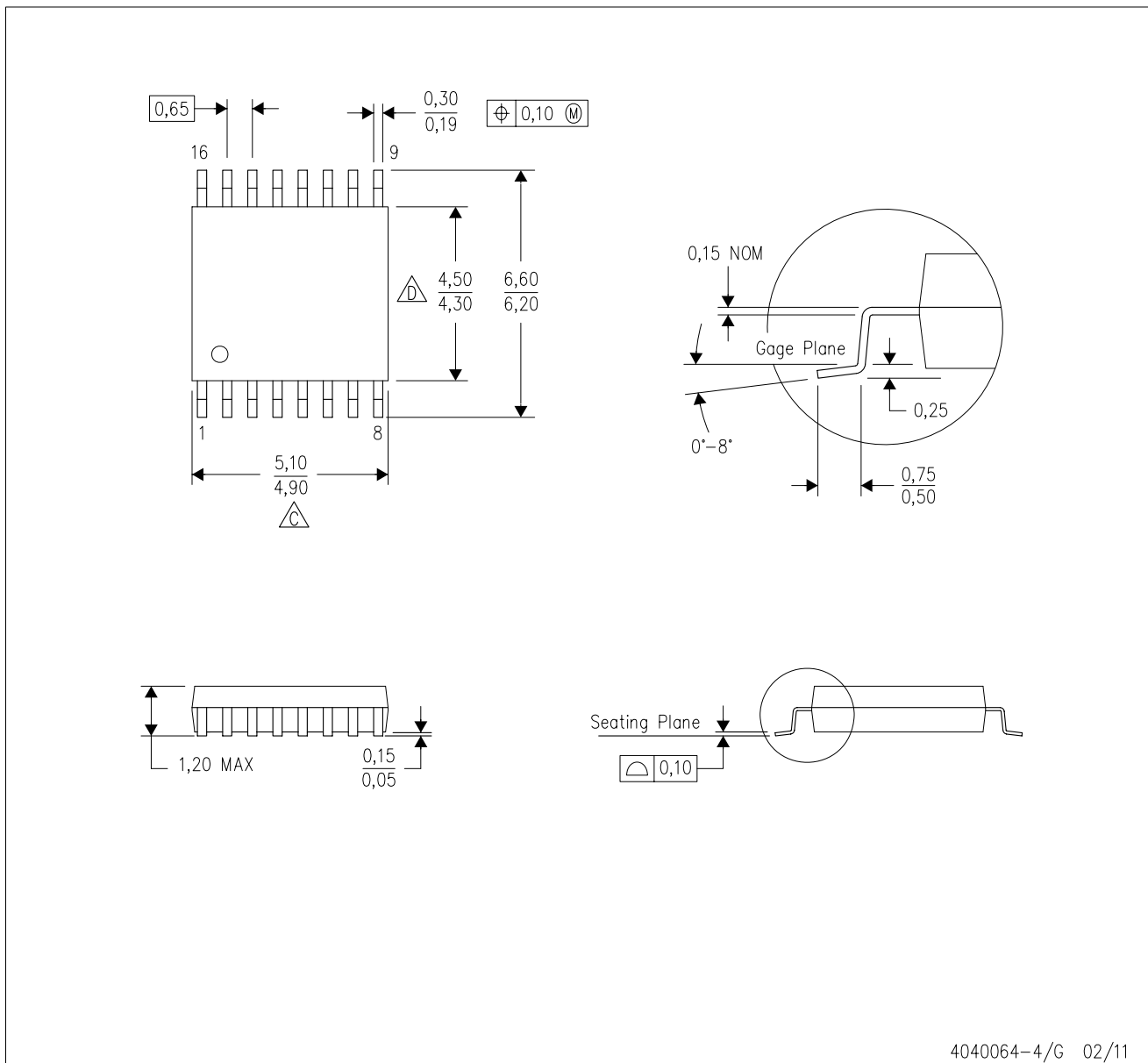
PLASTIC SMALL OUTLINE





- NOTES:
- A. All linear dimensions are in inches (millimeters).
  - B. This drawing is subject to change without notice.
  -  C. Body length does not include mold flash, protrusions, or gate burrs. Mold flash, protrusions, or gate burrs shall not exceed 0.006 (0,15) each side.
  -  D. Body width does not include interlead flash. Interlead flash shall not exceed 0.017 (0,43) each side.
  - E. Reference JEDEC MS-012 variation AC.

PW (R-PDSO-G16)

PLASTIC SMALL OUTLINE

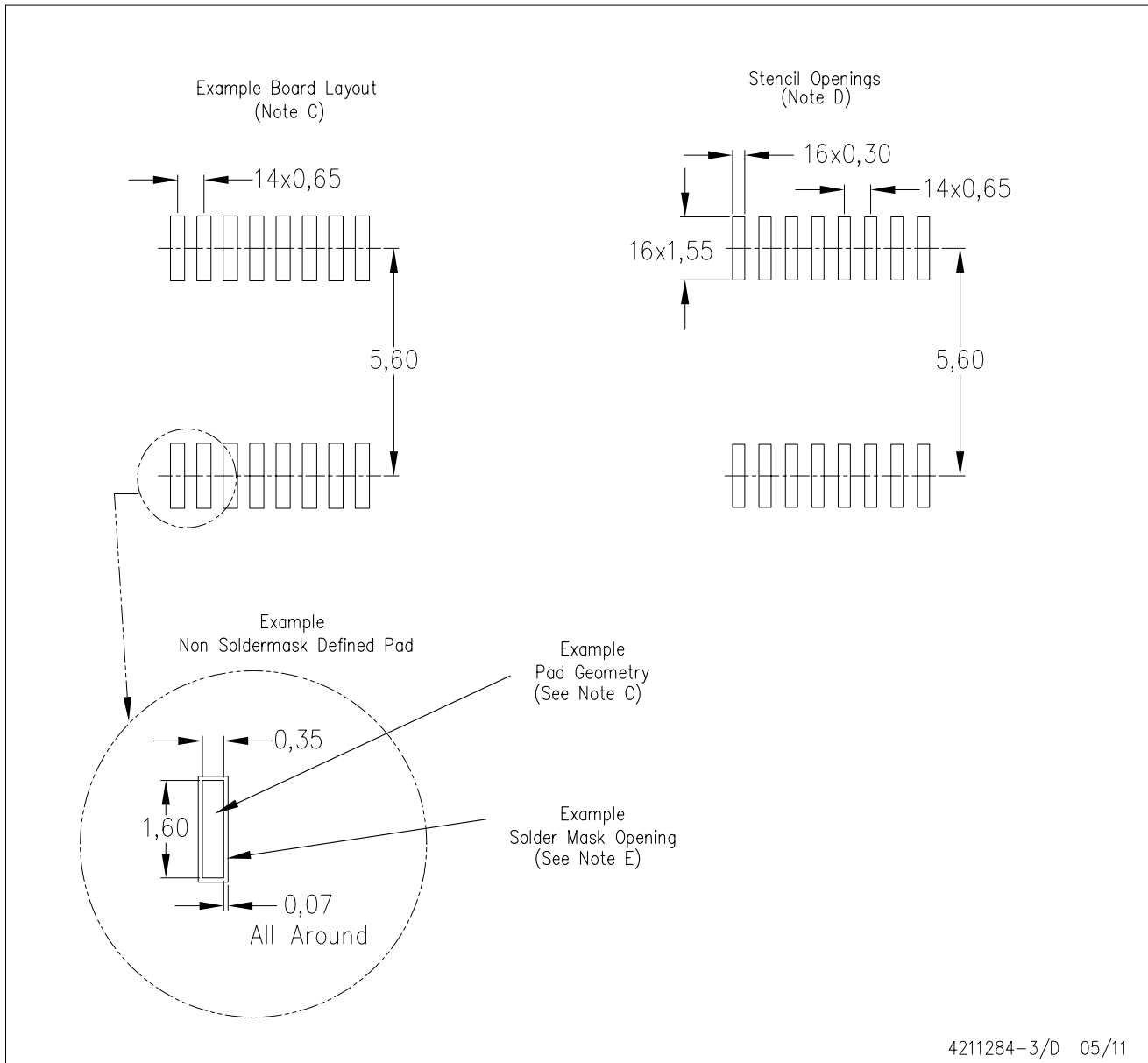


4040064-4/G 02/11

- NOTES:
- A. All linear dimensions are in millimeters. Dimensioning and tolerancing per ASME Y14.5M-1994.
  - B. This drawing is subject to change without notice.
  -  Body length does not include mold flash, protrusions, or gate burrs. Mold flash, protrusions, or gate burrs shall not exceed 0,15 each side.
  -  Body width does not include interlead flash. Interlead flash shall not exceed 0,25 each side.
  - E. Falls within JEDEC MO-153

PW (R-PDSO-G16)

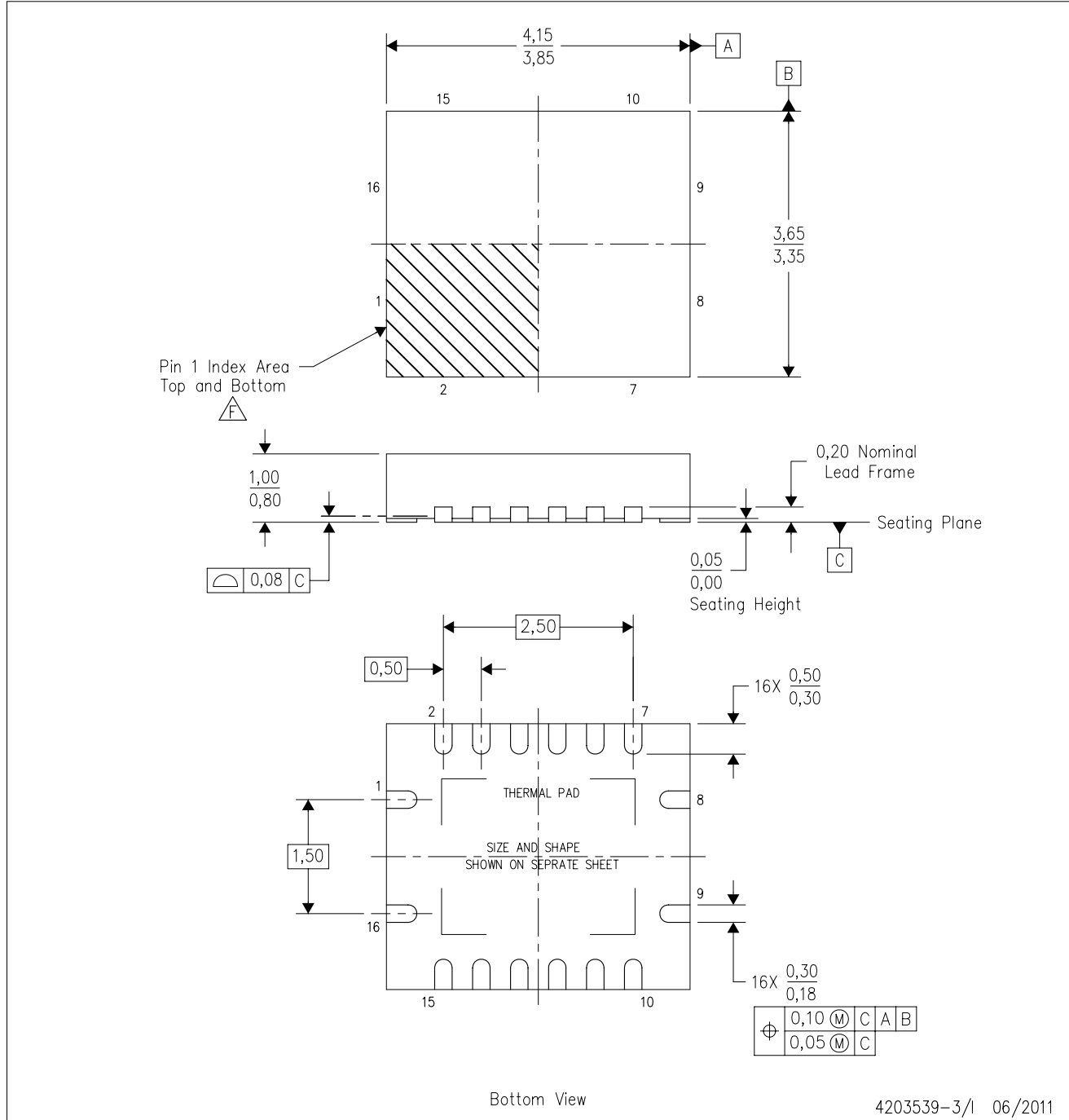
PLASTIC SMALL OUTLINE



- NOTES:
- All linear dimensions are in millimeters.
  - This drawing is subject to change without notice.
  - Publication IPC-7351 is recommended for alternate designs.
  - Laser cutting apertures with trapezoidal walls and also rounding corners will offer better paste release. Customers should contact their board assembly site for stencil design recommendations. Refer to IPC-7525 for other stencil recommendations.
  - Customers should contact their board fabrication site for solder mask tolerances between and around signal pads.

RGY (R-PVQFN-N16)

PLASTIC QUAD FLATPACK NO-LEAD



4203539-3/1 06/2011

- NOTES:
- All linear dimensions are in millimeters. Dimensioning and tolerancing per ASME Y14.5M-1994.
  - This drawing is subject to change without notice.
  - QFN (Quad Flatpack No-Lead) package configuration.
  - The package thermal pad must be soldered to the board for thermal and mechanical performance.
  - See the additional figure in the Product Data Sheet for details regarding the exposed thermal pad features and dimensions.
  - Pin 1 identifiers are located on both top and bottom of the package and within the zone indicated. The Pin 1 identifiers are either a molded, marked, or metal feature.
  - Package complies to JEDEC MO-241 variation BA.

RGY (R-PVQFN-N16)

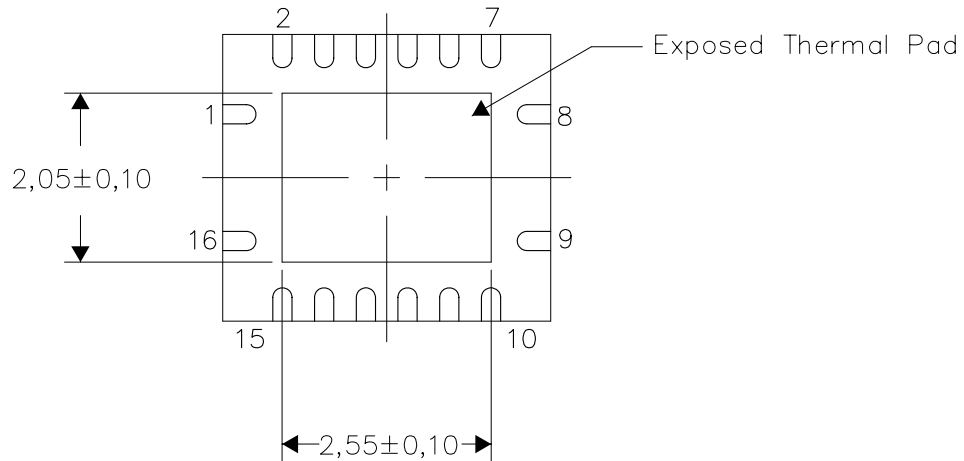
PLASTIC QUAD FLATPACK NO-LEAD

**THERMAL INFORMATION**

This package incorporates an exposed thermal pad that is designed to be attached directly to an external heatsink. The thermal pad must be soldered directly to the printed circuit board (PCB). After soldering, the PCB can be used as a heatsink. In addition, through the use of thermal vias, the thermal pad can be attached directly to the appropriate copper plane shown in the electrical schematic for the device, or alternatively, can be attached to a special heatsink structure designed into the PCB. This design optimizes the heat transfer from the integrated circuit (IC).

For information on the Quad Flatpack No-Lead (QFN) package and its advantages, refer to Application Report, QFN/SON PCB Attachment, Texas Instruments Literature No. SLUA271. This document is available at [www.ti.com](http://www.ti.com).

The exposed thermal pad dimensions for this package are shown in the following illustration.



Bottom View

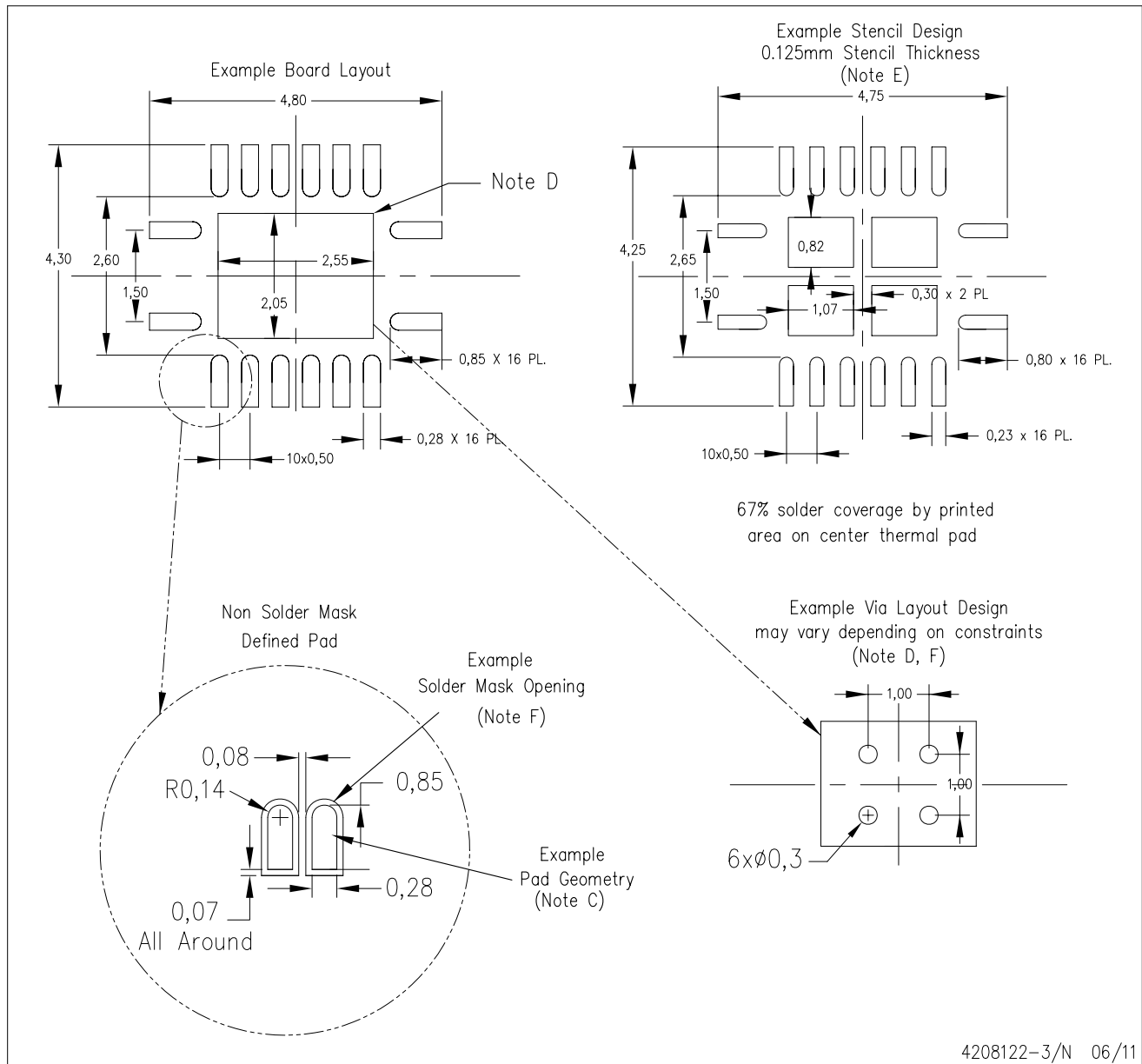
Exposed Thermal Pad Dimensions

4206353-3/N 06/11

NOTE: A. All linear dimensions are in millimeters

RGY (R-PVQFN-N16)

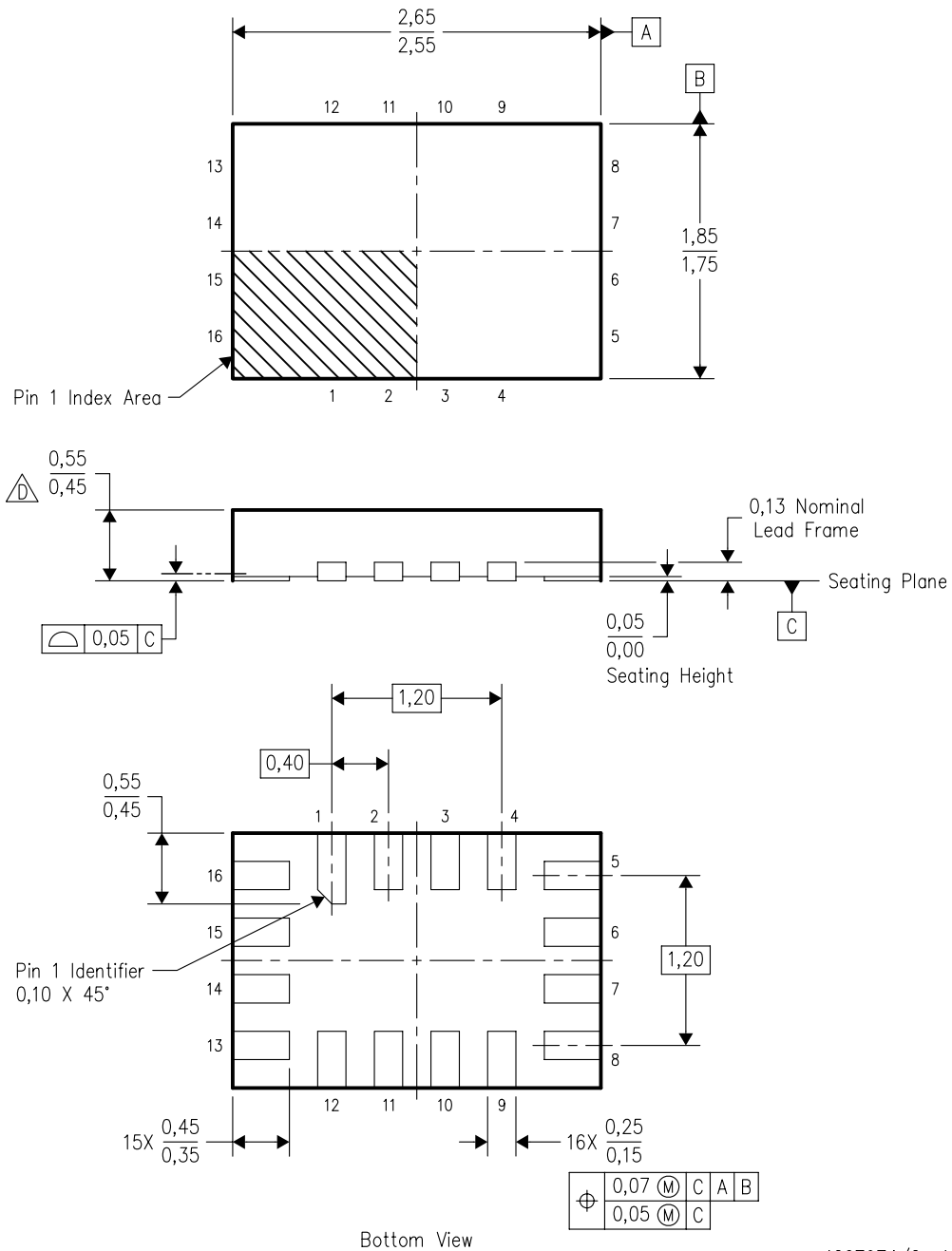
PLASTIC QUAD FLATPACK NO-LEAD




- NOTES:
- A. All linear dimensions are in millimeters.
  - B. This drawing is subject to change without notice.
  - C. Publication IPC-7351 is recommended for alternate designs.
  - D. This package is designed to be soldered to a thermal pad on the board. Refer to Application Note, Quad Flat-Pack QFN/SON PCB Attachment, Texas Instruments Literature No. SLUA271, and also the Product Data Sheets for specific thermal information, via requirements, and recommended board layout. These documents are available at [www.ti.com](http://www.ti.com) <<http://www.ti.com>>.
  - E. Laser cutting apertures with trapezoidal walls and also rounding corners will offer better paste release. Customers should contact their board assembly site for stencil design recommendations. Refer to IPC 7525 for stencil design considerations.
  - F. Customers should contact their board fabrication site for minimum solder mask web tolerances between signal pads.

RSV (R-PQFP-N16)

PLASTIC QUAD FLATPACK



4207974/C 10/2007

- NOTES:
- A. All linear dimensions are in millimeters. Dimensioning and tolerancing per ASME Y14.5M-1994.
  - B. This drawing is subject to change without notice.
  - C. QFN (Quad Flatpack No-Lead) package configuration.
  -  This package complies to JEDEC MO-288 variation UFHE, except minimum package thickness.





## IMPORTANT NOTICE

Texas Instruments Incorporated and its subsidiaries (TI) reserve the right to make corrections, modifications, enhancements, improvements, and other changes to its products and services at any time and to discontinue any product or service without notice. Customers should obtain the latest relevant information before placing orders and should verify that such information is current and complete. All products are sold subject to TI's terms and conditions of sale supplied at the time of order acknowledgment.

TI warrants performance of its hardware products to the specifications applicable at the time of sale in accordance with TI's standard warranty. Testing and other quality control techniques are used to the extent TI deems necessary to support this warranty. Except where mandated by government requirements, testing of all parameters of each product is not necessarily performed.

TI assumes no liability for applications assistance or customer product design. Customers are responsible for their products and applications using TI components. To minimize the risks associated with customer products and applications, customers should provide adequate design and operating safeguards.

TI does not warrant or represent that any license, either express or implied, is granted under any TI patent right, copyright, mask work right, or other TI intellectual property right relating to any combination, machine, or process in which TI products or services are used. Information published by TI regarding third-party products or services does not constitute a license from TI to use such products or services or a warranty or endorsement thereof. Use of such information may require a license from a third party under the patents or other intellectual property of the third party, or a license from TI under the patents or other intellectual property of TI.

Reproduction of TI information in TI data books or data sheets is permissible only if reproduction is without alteration and is accompanied by all associated warranties, conditions, limitations, and notices. Reproduction of this information with alteration is an unfair and deceptive business practice. TI is not responsible or liable for such altered documentation. Information of third parties may be subject to additional restrictions.

Resale of TI products or services with statements different from or beyond the parameters stated by TI for that product or service voids all express and any implied warranties for the associated TI product or service and is an unfair and deceptive business practice. TI is not responsible or liable for any such statements.

TI products are not authorized for use in safety-critical applications (such as life support) where a failure of the TI product would reasonably be expected to cause severe personal injury or death, unless officers of the parties have executed an agreement specifically governing such use. Buyers represent that they have all necessary expertise in the safety and regulatory ramifications of their applications, and acknowledge and agree that they are solely responsible for all legal, regulatory and safety-related requirements concerning their products and any use of TI products in such safety-critical applications, notwithstanding any applications-related information or support that may be provided by TI. Further, Buyers must fully indemnify TI and its representatives against any damages arising out of the use of TI products in such safety-critical applications.

TI products are neither designed nor intended for use in military/aerospace applications or environments unless the TI products are specifically designated by TI as military-grade or "enhanced plastic." Only products designated by TI as military-grade meet military specifications. Buyers acknowledge and agree that any such use of TI products which TI has not designated as military-grade is solely at the Buyer's risk, and that they are solely responsible for compliance with all legal and regulatory requirements in connection with such use.

TI products are neither designed nor intended for use in automotive applications or environments unless the specific TI products are designated by TI as compliant with ISO/TS 16949 requirements. Buyers acknowledge and agree that, if they use any non-designated products in automotive applications, TI will not be responsible for any failure to meet such requirements.

Following are URLs where you can obtain information on other Texas Instruments products and application solutions:

### Products

Audio	<a href="http://www.ti.com/audio">www.ti.com/audio</a>
Amplifiers	<a href="http://amplifier.ti.com">amplifier.ti.com</a>
Data Converters	<a href="http://dataconverter.ti.com">dataconverter.ti.com</a>
DLP® Products	<a href="http://www.dlp.com">www.dlp.com</a>
DSP	<a href="http://dsp.ti.com">dsp.ti.com</a>
Clocks and Timers	<a href="http://www.ti.com/clocks">www.ti.com/clocks</a>
Interface	<a href="http://interface.ti.com">interface.ti.com</a>
Logic	<a href="http://logic.ti.com">logic.ti.com</a>
Power Mgmt	<a href="http://power.ti.com">power.ti.com</a>
Microcontrollers	<a href="http://microcontroller.ti.com">microcontroller.ti.com</a>
RFID	<a href="http://www.ti-rfid.com">www.ti-rfid.com</a>
OMAP Mobile Processors	<a href="http://www.ti.com/omap">www.ti.com/omap</a>
Wireless Connectivity	<a href="http://www.ti.com/wirelessconnectivity">www.ti.com/wirelessconnectivity</a>

### Applications

Communications and Telecom	<a href="http://www.ti.com/communications">www.ti.com/communications</a>
Computers and Peripherals	<a href="http://www.ti.com/computers">www.ti.com/computers</a>
Consumer Electronics	<a href="http://www.ti.com/consumer-apps">www.ti.com/consumer-apps</a>
Energy and Lighting	<a href="http://www.ti.com/energy">www.ti.com/energy</a>
Industrial	<a href="http://www.ti.com/industrial">www.ti.com/industrial</a>
Medical	<a href="http://www.ti.com/medical">www.ti.com/medical</a>
Security	<a href="http://www.ti.com/security">www.ti.com/security</a>
Space, Avionics and Defense	<a href="http://www.ti.com/space-avionics-defense">www.ti.com/space-avionics-defense</a>
Transportation and Automotive	<a href="http://www.ti.com/automotive">www.ti.com/automotive</a>
Video and Imaging	<a href="http://www.ti.com/video">www.ti.com/video</a>

TI E2E Community Home Page

[e2e.ti.com](http://e2e.ti.com)

Mailing Address: Texas Instruments, Post Office Box 655303, Dallas, Texas 75265  
Copyright © 2011, Texas Instruments Incorporated