

- **High-Performance Floating-Point Digital Signal Processor (DSP):**
 - TMS320C31-80 (5 V)
25-ns Instruction Cycle Time
440 MOPS, 80 MFLOPS, 40 MIPS
 - TMS320C31-60 (5 V)
33-ns Instruction Cycle Time
330 MOPS, 60 MFLOPS, 30 MIPS
 - TMS320C31-50 (5 V)
40-ns Instruction Cycle Time
275 MOPS, 50 MFLOPS, 25 MIPS
 - TMS320C31-40 (5 V)
50-ns Instruction Cycle Time
220 MOPS, 40 MFLOPS, 20 MIPS
 - TMS320LC31-40 (3.3 V)
50-ns Instruction Cycle Time
220 MOPS, 40 MFLOPS, 20 MIPS
 - TMS320LC31-33 (3.3 V)
60-ns Instruction Cycle Time
183.7 MOPS, 33.3 MFLOPS, 16.7 MIPS
- **32-Bit High-Performance CPU**
- **16-/32-Bit Integer and 32-/40-Bit Floating-Point Operations**
- **32-Bit Instruction Word, 24-Bit Addresses**
- **Two 1K × 32-Bit Single-Cycle Dual-Access On-Chip RAM Blocks**
- **Boot-Program Loader**
- **On-Chip Memory-Mapped Peripherals:**
 - One Serial Port
 - Two 32-Bit Timers
 - One-Channel Direct Memory Access (DMA) Coprocessor for Concurrent I/O and CPU Operation
- **Fabricated Using 0.6 μm Enhanced Performance Implanted CMOS (EPIC™) Technology by Texas Instruments (TI™)**
- **132-Pin Plastic Quad Flat Package (PQ Suffix)**
- **Eight Extended-Precision Registers**
- **Two Address Generators With Eight Auxiliary Registers and Two Auxiliary Register Arithmetic Units (ARAUs)**
- **Two Low-Power Modes**
- **Two- and Three-Operand Instructions**
- **Parallel Arithmetic/Logic Unit (ALU) and Multiplier Execution in a Single Cycle**
- **Block-Repeat Capability**
- **Zero-Overhead Loops With Single-Cycle Branches**
- **Conditional Calls and Returns**
- **Interlocked Instructions for Multiprocessing Support**
- **Bus-Control Registers Configure Strobe-Control Wait-State Generation**

description

The TMS320C31 and TMS320LC31 DSPs are 32-bit, floating-point processors manufactured in 0.6 μm triple-level-metal CMOS technology. The TMS320C31 and TMS320LC31 are part of the TMS320C3x generation of DSPs from Texas Instruments.

The TMS320C3x's internal busing and special digital-signal-processing instruction set have the speed and flexibility to execute up to 80 million floating-point operations per second (MFLOPS). The TMS320C3x optimizes speed by implementing functions in hardware that other processors implement through software or microcode. This hardware-intensive approach provides performance previously unavailable on a single chip.

The TMS320C3x can perform parallel multiply and ALU operations on integer or floating-point data in a single cycle. Each processor also possesses a general-purpose register file, a program cache, dedicated ARAUs, internal dual-access memories, one DMA channel supporting concurrent I/O, and a short machine-cycle time. High performance and ease of use are results of these features.



Please be aware that an important notice concerning availability, standard warranty, and use in critical applications of Texas Instruments semiconductor products and disclaimers thereto appears at the end of this data sheet.

EPIC and TI are trademarks of Texas Instruments Incorporated. All trademarks are the property of their respective owners.

PRODUCTION DATA information is current as of publication date. Products conform to specifications per the terms of Texas Instruments standard warranty. Production processing does not necessarily include testing of all parameters.



TMS320C31, TMS320LC31 DIGITAL SIGNAL PROCESSORS

SPRS035B - MARCH 1996 - REVISED JANUARY 1999

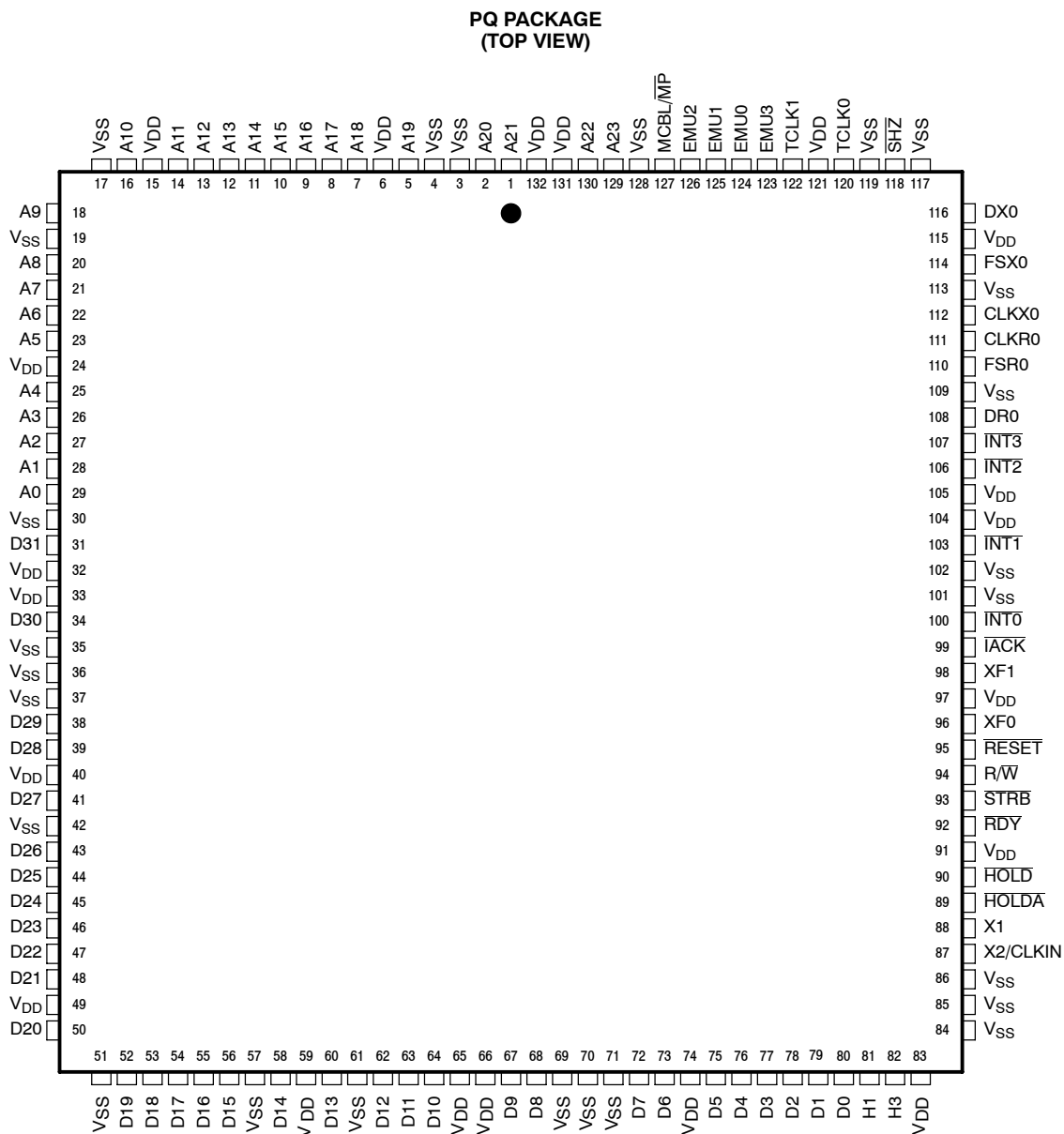
description (continued)

General-purpose applications are greatly enhanced by the large address space, multiprocessor interface, internally and externally generated wait states, one external interface port, two timers, one serial port, and multiple-interrupt structure. The TMS320C3x supports a wide variety of system applications from host processor to dedicated coprocessor.

High-level-language support is easily implemented through a register-based architecture, large address space, powerful addressing modes, flexible instruction set, and well-supported floating-point arithmetic.

TMS320C31 and TMS320LC31 pinout (top view)

The TMS320C31 and TMS320LC31 devices are packaged in 132-pin plastic quad flatpacks (PQ Suffix).



TMS320C31, TMS320LC31 DIGITAL SIGNAL PROCESSORS

SPRS035B - MARCH 1996 - REVISED JANUARY 1999

TMS320C31 and TMS320LC31 Terminal Assignments (Alphabetical)[†]

TERMINAL NAME	TERMINAL NO.	TERMINAL NAME	TERMINAL NO.	TERMINAL NAME	TERMINAL NO.	TERMINAL NAME	TERMINAL NO.	TERMINAL NAME	TERMINAL NO.
A0	29	D4	76	EMU0	124	V _{DD}	40	V _{SS}	84
A1	28	D5	75	EMU1	125	V _{DD}	49	V _{SS}	85
A2	27	D6	73	EMU2	126	V _{DD}	59	V _{SS}	86
A3	26	D7	72	EMU3	123	V _{DD}	65	V _{SS}	101
A4	25	D8	68	FSR0	110	V _{DD}	66	V _{SS}	102
A5	23	D9	67	FSX0	114	V _{DD}	74	V _{SS}	109
A6	22	D10	64	H1	81	V _{DD}	83	V _{SS}	113
A7	21	D11	63	H3	82	V _{DD}	91	V _{SS}	117
A8	20	D12	62	HOLD	90	V _{DD}	97	V _{SS}	119
A9	18	D13	60	HOLD \bar{A}	89	V _{DD}	104	V _{SS}	128
A10	16	D14	58	IACK	99	V _{DD}	105	X1	88
A11	14	D15	56	INT $\bar{0}$	100	V _{DD}	115	X2/CLKIN	87
A12	13	D16	55	INT $\bar{1}$	103	V _{DD}	121	XF0	96
A13	12	D17	54	INT $\bar{2}$	106	V _{DD}	131	XF1	98
A14	11	D18	53	INT $\bar{3}$	107	V _{DD}	132		
A15	10	D19	52	MCBL/MP	127	V _{SS}	3		
A16	9	D20	50	RDY	92	V _{SS}	4		
A17	8	D21	48	RESET	95	V _{SS}	17		
A18	7	D22	47	R/W	94	V _{SS}	19		
A19	5	D23	46	SHZ	118	V _{SS}	30		
A20	2	D24	45	STRB	93	V _{SS}	35		
A21	1	D25	44	TCLK0	120	V _{SS}	36		
A22	130	D26	43	TCLK1	122	V _{SS}	37		
A23	129	D27	41			V _{SS}	42		
CLKR0	111	D28	39			V _{SS}	51		
CLKX0	112	D29	38	V _{DD}	6	V _{SS}	57		
D0	80	D30	34	V _{DD}	15	V _{SS}	61		
D1	79	D31	31	V _{DD}	24	V _{SS}	69		
D2	78	DR0	108	V _{DD}	32	V _{SS}	70		
D3	77	DX0	116	V _{DD}	33	V _{SS}	71		

[†] V_{DD} and V_{SS} pins are on a common plane internal to the device.



TMS320C31, TMS320LC31 DIGITAL SIGNAL PROCESSORS

SPRS035B - MARCH 1996 - REVISED JANUARY 1999

TMS320C31 and TMS320LC31 Terminal Assignments (Numerical)[†]

TERMINAL NO. NAME		TERMINAL NO. NAME		TERMINAL NO. NAME		TERMINAL NO. NAME		TERMINAL NO. NAME	
1	A21	31	D31	61	V _{SS}	91	V _{DD}	121	V _{DD}
2	A20	32	V _{DD}	62	D12	92	$\overline{\text{RDY}}$	122	TCLK1
3	V _{SS}	33	V _{DD}	63	D11	93	$\overline{\text{STRB}}$	123	EMU3
4	V _{SS}	34	D30	64	D10	94	R/ $\overline{\text{W}}$	124	EMU0
5	A19	35	V _{SS}	65	V _{DD}	95	$\overline{\text{RESET}}$	125	EMU1
6	V _{DD}	36	V _{SS}	66	V _{DD}	96	XF0	126	EMU2
7	A18	37	V _{SS}	67	D9	97	V _{DD}	127	MCBL/MP
8	A17	38	D29	68	D8	98	XF1	128	V _{SS}
9	A16	39	D28	69	V _{SS}	99	$\overline{\text{TACK}}$	129	A23
10	A15	40	V _{DD}	70	V _{SS}	100	$\overline{\text{INT0}}$	130	A22
11	A14	41	D27	71	V _{SS}	101	V _{SS}	131	V _{DD}
12	A13	42	V _{SS}	72	D7	102	V _{SS}	132	V _{DD}
13	A12	43	D26	73	D6	103	$\overline{\text{INT1}}$		
14	A11	44	D25	74	V _{DD}	104	V _{DD}		
15	V _{DD}	45	D24	75	D5	105	V _{DD}		
16	A10	46	D23	76	D4	106	$\overline{\text{INT2}}$		
17	V _{SS}	47	D22	77	D3	107	$\overline{\text{INT3}}$		
18	A9	48	D21	78	D2	108	DR0		
19	V _{SS}	49	V _{DD}	79	D1	109	V _{SS}		
20	A8	50	D20	80	D0	110	FSR0		
21	A7	51	V _{SS}	81	H1	111	CLKR0		
22	A6	52	D19	82	H3	112	CLKX0		
23	A5	53	D18	83	V _{DD}	113	V _{SS}		
24	V _{DD}	54	D17	84	V _{SS}	114	FSX0		
25	A4	55	D16	85	V _{SS}	115	V _{DD}		
26	A3	56	D15	86	V _{SS}	116	DX0		
27	A2	57	V _{SS}	87	X2/CLKIN	117	V _{SS}		
28	A1	58	D14	88	X1	118	$\overline{\text{SHZ}}$		
29	A0	59	V _{DD}	89	$\overline{\text{HOLDA}}$	119	V _{SS}		
30	V _{SS}	60	D13	90	$\overline{\text{HOLD}}$	120	TCLK0		

[†] V_{DD} and V_{SS} pins are on a common plane internal to the device.



TMS320C31 and TMS320LC31 Terminal Functions

TERMINAL NAME	QTY	TYPE†	DESCRIPTION	CONDITIONS WHEN SIGNAL IS Z TYPE‡
PRIMARY-BUS INTERFACE				
D31-D0	32	I/O/Z	32-bit data port	S H R
A23-A0	24	O/Z	24-bit address port	S H R
R/W	1	O/Z	Read/write. R/W is high when a read is performed and low when a write is performed over the parallel interface.	S H R
STRB	1	O/Z	External-access strobe	S H
RDY	1	I	Ready. RDY indicates that the external device is prepared for a transaction completion.	
HOLD	1	I	Hold. When HOLD is a logic low, any ongoing transaction is completed. A23-A0, D31-D0, STRB, and R/W are placed in the high-impedance state and all transactions over the primary-bus interface are held until HOLD becomes a logic high or until the NOHOLD bit of the primary-bus-control register is set.	
HOLDA	1	O/Z	Hold acknowledge. HOLDA is generated in response to a logic low on HOLD. HOLDA indicates that A23-A0, D31-D0, STRB, and R/W are in the high-impedance state and that all transactions over the bus are held. HOLDA is high in response to a logic high of HOLD or the NOHOLD bit of the primary-bus-control register is set.	S
CONTROL SIGNALS				
RESET	1	I	Reset. When RESET is a logic low, the device is in the reset condition. When RESET becomes a logic high, execution begins from the location specified by the reset vector.	
INT3-INT0	4	I	External interrupts	
IACK	1	O/Z	Interrupt acknowledge. IACK is generated by the IACK instruction. IACK can be used to indicate the beginning or the end of an interrupt-service routine.	S
MCBL/MP	1	I	Microcomputer boot-loader/microprocessor mode-select	
SHZ	1	I	Shutdown high impedance. When active, SHZ shuts down the device and places all pins in the high-impedance state. SHZ is used for board-level testing to ensure that no dual-drive conditions occur. CAUTION: A low on SHZ corrupts the device memory and register contents. Reset the device with SHZ high to restore it to a known operating condition.	
XF1, XF0	2	I/O/Z	External flags. XF1 and XF0 are used as general-purpose I/Os or to support interlocked processor instruction.	S R
SERIAL PORT 0 SIGNALS				
CLKR0	1	I/O/Z	Serial port 0 receive clock. CLKR0 is the serial shift clock for the serial port 0 receiver.	S R
CLKX0	1	I/O/Z	Serial port 0 transmit clock. CLKX0 is the serial shift clock for the serial port 0 transmitter.	S R
DR0	1	I/O/Z	Data-receive. Serial port 0 receives serial data on DR0.	S R
DX0	1	I/O/Z	Data-transmit output. Serial port 0 transmits serial data on DX0.	S R
FSR0	1	I/O/Z	Frame-synchronization pulse for receive. The FSR0 pulse initiates the data-receive process using DR0.	S R
FSX0	1	I/O/Z	Frame-synchronization pulse for transmit. The FSX0 pulse initiates the data-transmit process using DX0.	S R
TIMER SIGNALS				
TCLK0	1	I/O/Z	Timer clock 0. As an input, TCLK0 is used by timer 0 to count external pulses. As an output, TCLK0 outputs pulses generated by timer 0.	S R
TCLK1	1	I/O/Z	Timer clock 1. As an input, TCLK0 is used by timer 1 to count external pulses. As an output, TCLK1 outputs pulses generated by timer 1.	S R

† I = input, O = output, Z = high-impedance state

‡ S = SHZ active, H = HOLD active, R = RESET active

TMS320C31, TMS320LC31 DIGITAL SIGNAL PROCESSORS

SPRS035B - MARCH 1996 - REVISED JANUARY 1999

TMS320C31 and TMS320LC31 Terminal Functions (Continued)

TERMINAL NAME	QTY	TYPE†	DESCRIPTION	CONDITIONS WHEN SIGNAL IS Z TYPE‡
SUPPLY AND OSCILLATOR SIGNALS				
H1	1	O/Z	External H1 clock. H1 has a period equal to twice CLKIN.	S
H3	1	O/Z	External H3 clock. H3 has a period equal to twice CLKIN.	S
V _{DD}	20	I	5-V supply for 'C31 devices and 3.3-V supply for 'LC31 devices. All must be connected to a common supply plane.§	
V _{SS}	25	I	Ground. All grounds must be connected to a common ground plane.	
X1	1	O	Output from the internal-crystal oscillator. If a crystal is not used, X1 should be left unconnected.	
X2/CLKIN	1	I	Internal-oscillator input from a crystal or a clock	
RESERVED††				
EMU2-EMU0	3	I	Reserved for emulation. Use pullup resistors to V _{DD}	
EMU3	1	O/Z	Reserved for emulation	S

† I = input, O = output, Z = high-impedance state

‡ S = SHZ active, H = HOLD active, R = RESET active

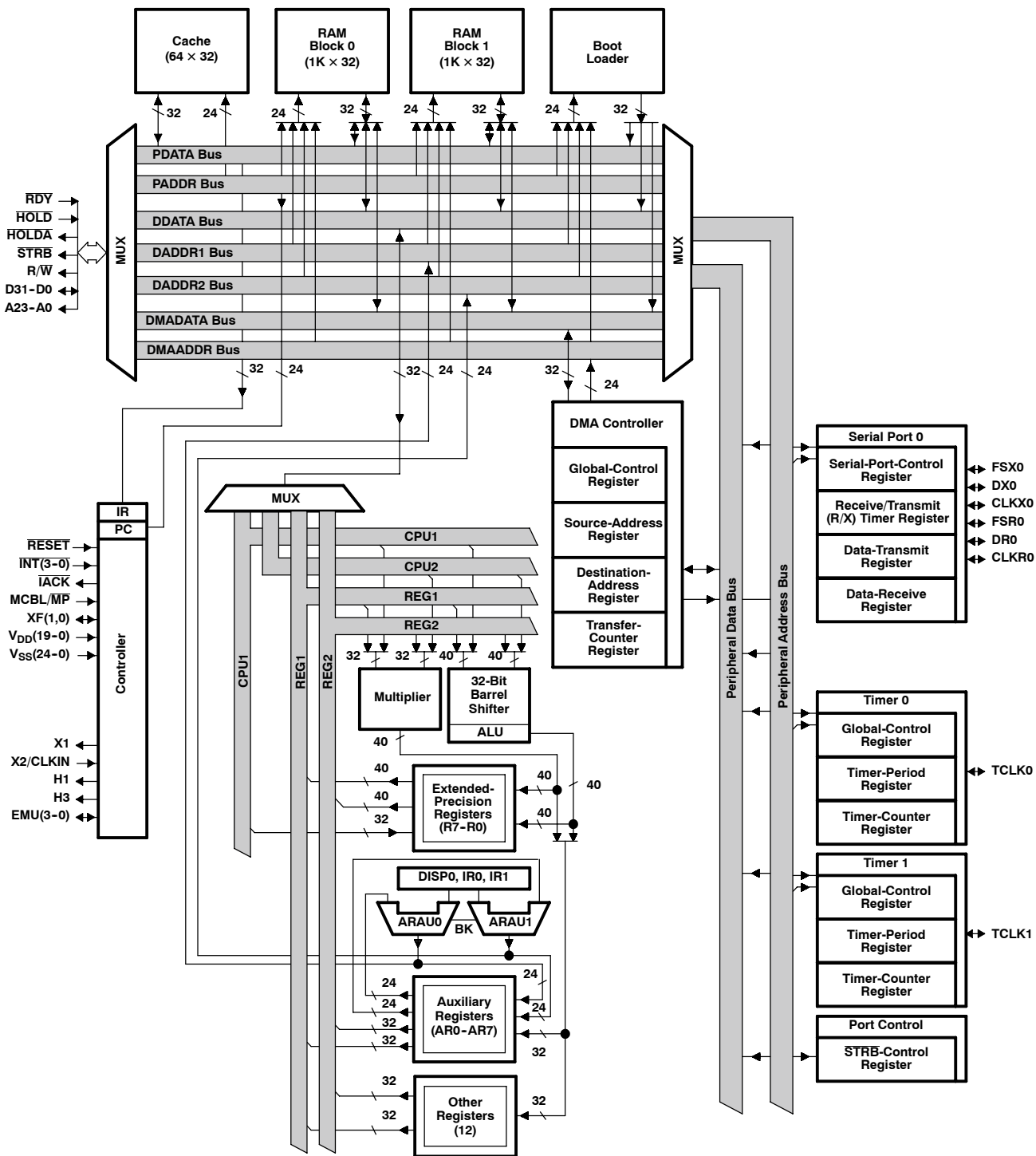
§ Recommended decoupling capacitor value is 0.1 μ F.

†† Follow the connections specified for the reserved pins. Use 18-k Ω -22-k Ω pullup resistors for best results. All V_{DD} supply pins must be connected to a common supply plane, and all ground pins must be connected to a common ground plane.

- NOTES:
1. A test mode for measuring leakage currents in the TMS320C31 is implemented. This test mode powers down the clock oscillator circuit resulting in currents below 10 μ A. The test mode is entered by asserting SHZ low, which tri-states all output pins and then holds both H1 and H3 at logic high. The test mode is not intended for application use because it does not preserve the processor state.
 2. Since SHZ is a synchronized input and the clock is disabled, exiting the test mode occurs only when at least one of the H1/H3 pins is pulled low. Reset cannot be used to wake up in test mode since the SHZ pin is sampled and the clocks are not running.
 3. On power up, the processor can be in an indeterminate state. If the state is SHZ mode and H1 and H3 are both held logic high by pull-ups, then shutdown will occur. Normally, if H1 and H3 do not have pull-ups, the rise time lag due to capacitive loading on a tri-state pin is enough to ensure a clean start. However, a slowly rising supply and board leakages to V_{CC} may be enough to cause a bad start. Therefore, a pulldown resistor on either H1 or H3 is recommended for proper wakeup.



functional block diagram



TMS320C31, TMS320LC31 DIGITAL SIGNAL PROCESSORS

SPRS035B - MARCH 1996 - REVISED JANUARY 1999

memory map

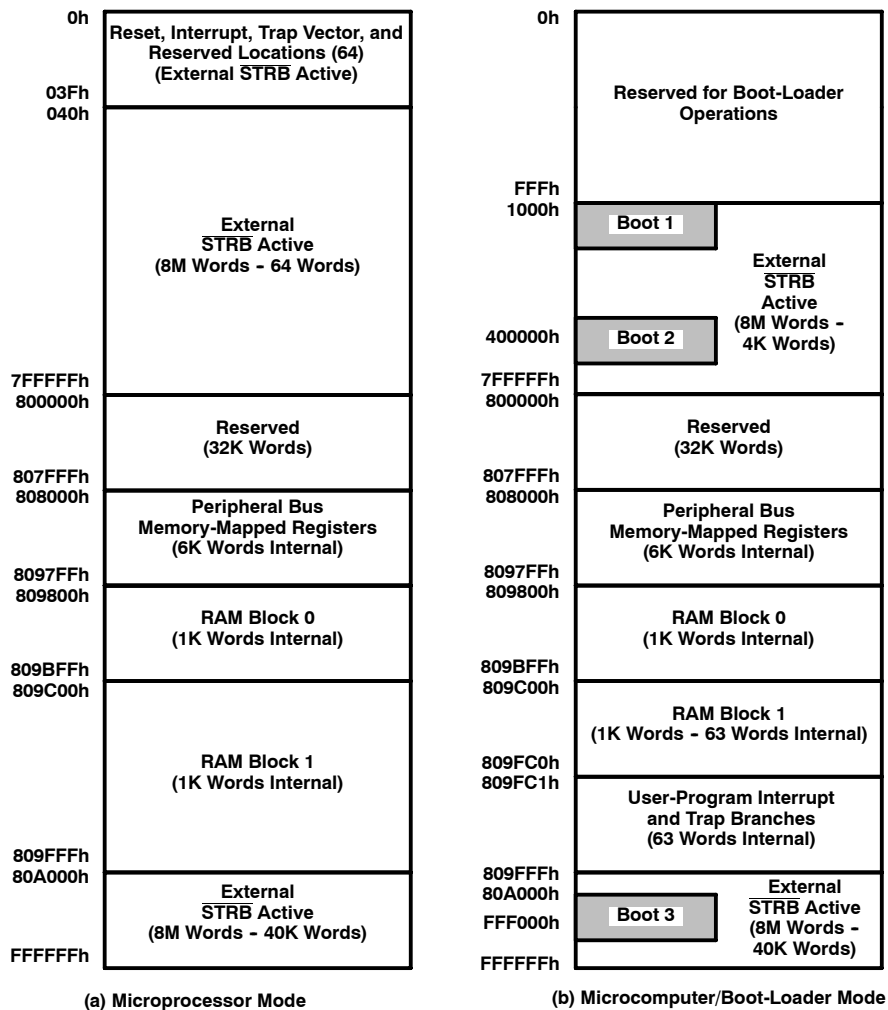


Figure 1. TMS320C31 Memory Maps

memory map (continued)

00h	Reset
01h	INT0
02h	INT1
03h	INT2
04h	INT3
05h	XINT0
06h	RINT0
07h	Reserved
08h	Reserved
09h	TINT0
0Ah	TINT1
0Bh	DINT
0Ch	Reserved
1Fh	Reserved
20h	TRAP 0
	•
	•
	•
3Bh	TRAP 27
3Ch	Reserved
3Fh	Reserved

(a) Microprocessor Mode

809FC1h	INT0
809FC2h	INT1
809FC3h	INT2
809FC4h	INT3
809FC5h	XINT0
809FC6h	RINT0
809FC7h	Reserved
809FC8h	Reserved
809FC9h	TINT0
809FCAh	TINT1
809FCBh	DINT
809FCCh	Reserved
809FDFh	Reserved
809FE0h	TRAP 0
	•
	•
	•
809FFBh	TRAP 27
809FFCh	Reserved
809FFFh	Reserved

(b) Microcomputer/Boot-Loader Mode

Figure 2. Reset, Interrupt, and Trap Vector/Branches Memory-Map Locations

TMS320C31, TMS320LC31 DIGITAL SIGNAL PROCESSORS

SPRS035B - MARCH 1996 - REVISED JANUARY 1999

memory map (continued)

808000h	DMA Global Control
808004h	DMA Source Address
808006h	DMA Destination Address
808008h	DMA Transfer Counter
808020h	Timer 0 Global Control
808024h	Timer 0 Counter
808028h	Timer 0 Period Register
808030h	Timer 1 Global Control
808034h	Timer 1 Counter
808038h	Timer 1 Period Register
808040h	Serial Global Control
808042h	FSX/DX/CLKX Serial Port Control
808043h	FSR/DR/CLKR Serial Port Control
808044h	Serial R/X Timer Control
808045h	Serial R/X Timer Counter
808046h	Serial R/X Timer Period Register
808048h	Data-Transmit
80804Ch	Data-Receive
808064h	Primary-Bus Control

†Shading denotes reserved address locations

Figure 3. Peripheral Bus Memory-Mapped Registers†

absolute maximum ratings over specified temperature range (unless otherwise noted)[†]

	'C31	'LC31
Supply voltage range, V_{DD} (see Note 1)	-0.3 V to 7 V	-0.3 V to 5 V
Input voltage range, V_I	-0.3 V to 7 V	-0.3 V to 5 V
Output voltage range, V_O	-0.3 V to 7 V	-0.3 V to 5 V
Continuous power dissipation (worst case) (see Note 5)	2.6 W (for TMS320C31-80)	850 mW (for TMS320LC31-33)
Operating case temperature range, T_C	PQL (commercial) 0°C to 85°C	0°C to 85°C
	PQA (industrial) - 40°C to 125°C	
Storage temperature range, T_{stg}	- 55°C to 150°C	- 55°C to 150°C

[†] Stresses beyond those listed under "absolute maximum ratings" may cause permanent damage to the device. These are stress ratings only, and functional operation of the device at these or any other conditions beyond those indicated under "recommended operating conditions" is not implied. Exposure to absolute-maximum-rated conditions for extended periods may affect device reliability.

NOTES: 4. All voltage values are with respect to V_{SS} .

5. Actual operating power is less. This value was obtained under specially produced worst-case test conditions for the TMS320C31, which are not sustained during normal device operation. These conditions consist of continuous parallel writes of a checkerboard pattern to both primary and extension buses at the maximum rate possible. See normal (I_{CC}) current specification in the electrical characteristics table and also read *Calculation of TMS320C30 Power Dissipation Application Report* (literature number SPRA020).

recommended operating conditions (see Note 6)

		'C31			'LC31			UNIT
		MIN	NOM	MAX	MIN	NOM	MAX	
V_{DD}	Supply voltage (DV_{DD} , etc.)	4.75	5	5.25	3.13	3.3	3.47	V
V_{SS}	Supply voltage (CV_{SS} , etc.)	0			0			V
V_{IH}	High-level input voltage	2	$V_{DD} + 0.3^\ddagger$		1.8	$V_{DD} + 0.3^\ddagger$		V
V_{IL}	Low-level input voltage	- 0.3 [‡]		0.8	- 0.3 [‡]		0.6	V
I_{OH}	High-level output current	- 300			- 300			μ A
I_{OL}	Low-level output current	2			2			mA
T_C	Operating case temperature (commercial)	0	85		0	85		°C
	Operating case temperature (industrial)	- 40		125				°C
V_{TH}	High-level input voltage for CLKIN	2.6	$V_{DD} + 0.3^\ddagger$		2.5	$V_{DD} + 0.3^\ddagger$		V

[‡] These values are derived from characterization and not tested.

NOTE 6: All voltage values are with respect to V_{SS} . All input and output voltage levels are TTL-compatible. CLKIN can be driven by a CMOS clock.

TMS320C31, TMS320LC31 DIGITAL SIGNAL PROCESSORS

SPRS035B - MARCH 1996 - REVISED JANUARY 1999

**electrical characteristics over recommended ranges of supply voltage (unless otherwise noted)
(see Note 3)[†]**

PARAMETER	TEST CONDITIONS	'C31			'LC31			UNIT
		MIN	TYP [‡]	MAX	MIN	TYP [‡]	MAX	
V _{OH} High-level output voltage	V _{DD} = MIN, I _{OH} = MAX	2.4	3		2			V
V _{OL} Low-level output voltage	V _{DD} = MIN, I _{OH} = MAX		0.3	0.6			0.4	V
I _Z High-impedance current	V _{DD} = MAX	- 20		+ 20	- 20		+ 20	μA
I _I Input current	V _I = V _{SS} to V _{DD}	- 10		+ 10	- 10		+ 10	μA
I _{IP} Input current (with internal pullup)	Inputs with internal pullups [§]	- 600		20	- 600		10	μA
I _{CC} Supply current ^{¶#}	T _A = 25°C, V _{DD} = MAX	f _x = 33 MHz	'LC31-33	150	325	120	250	mA
		f _x = 33 MHz	'C31-33 (ext. temp)	150	325			
		f _x = 40 MHz	'C31-40	160	390	150	300	
		f _x = 50 MHz	'C31-50	200	425			
		f _x = 60 MHz	'C31-60	225	475			
		f _x = 80 MHz	'C31-80	275	550			
I _{DD} Supply current	Standby, IDLE2 Clocks shut off			50		20		μA
C _i Input capacitance	All inputs except CLKIN			15			15	pF
	CLKIN			25			25	
C _o Output capacitance				20			20	pF

[†] All input and output voltage levels are TTL compatible.

[‡] For 'C31, all typical values are at V_{DD} = 5 V, T_A (air temperature) = 25°C. For 'LC31, all typical values are at V_{DD} = 3.3 V, T_A (air temperature) = 25°C.

[§] Pins with internal pullup devices: INT3-INT0, MCBL/MP.

[¶] Actual operating current is less than this maximum value. This value was obtained under specially produced worst-case test conditions, which are not sustained during normal device operation. These conditions consist of continuous parallel writes of a checkerboard pattern at the maximum rate possible. See *Calculation of TMS320C30 Power Dissipation Application Report* (literature number SPRA020).

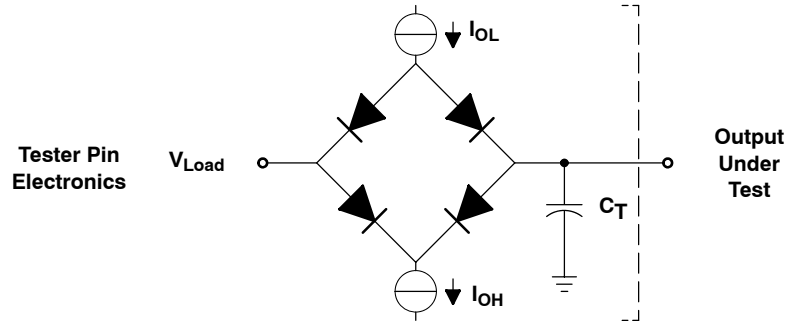
[#] f_x is the input clock frequency.

|| Specified by design but not tested

NOTE 6: All voltage values are with respect to V_{SS}. All input and output voltage levels are TTL-compatible. CLKIN can be driven by a CMOS clock.



PARAMETER MEASUREMENT INFORMATION



Where: I_{OL} = 2 mA (all outputs)
 I_{OH} = 300 μ A (all outputs)
 V_{LOAD} = 2.15 V
 C_T = 80-pF typical load-circuit capacitance

Figure 4. TMS320C31 Test Load Circuit

signal transition levels for 'C31 (see Figure 5 and Figure 6)

TTL-level outputs are driven to a minimum logic-high level of 2.4 V and to a maximum logic-low level of 0.6 V. Output transition times are specified as follows:

- For a high-to-low transition on a TTL-compatible output signal, the level at which the output is said to be no longer high is 2 V and the level at which the output is said to be low is 1 V.
- For a low-to-high transition, the level at which the output is said to be no longer low is 1 V and the level at which the output is said to be high is 2 V.

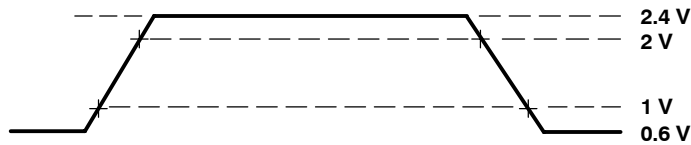


Figure 5. TTL-Level Outputs

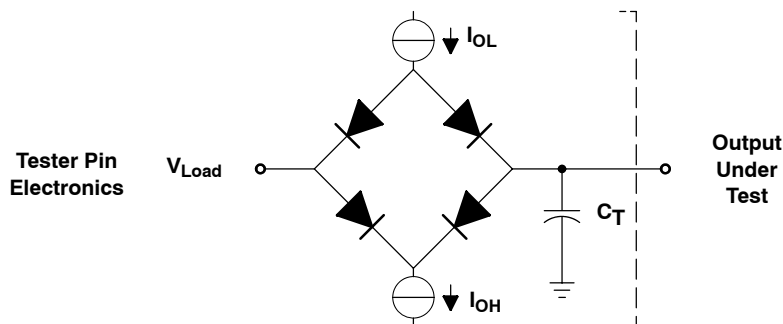
Transition times for TTL-compatible inputs are specified as follows:

- For a high-to-low transition on an input signal, the level at which the input is said to be no longer high is 2 V and the level at which the input is said to be low is 0.8 V.
- For a low-to-high transition on an input signal, the level at which the input is said to be no longer low is 0.8 V and the level at which the input is said to be high is 2 V.



Figure 6. TTL-Level Inputs

PARAMETER MEASUREMENT INFORMATION



Where: I_{OL} = 2 mA (all outputs)
 I_{OH} = 300 μ A (all outputs)
 V_{LOAD} = 2.15 V
 C_T = 80-pF typical load-circuit capacitance

Figure 7. TMS320LC31 Test Load Circuit

signal transition levels for 'LC31 (see Figure 8 and Figure 9)

Outputs are driven to a minimum logic-high level of 2 V and to a maximum logic-low level of 0.4 V. Output transition times are specified as follows:

- For a high-to-low transition on an output signal, the level at which the output is said to be no longer high is 2 V and the level at which the output is said to be low is 1 V.
- For a low-to-high transition, the level at which the output is said to be no longer low is 1 V and the level at which the output is said to be high is 2 V.

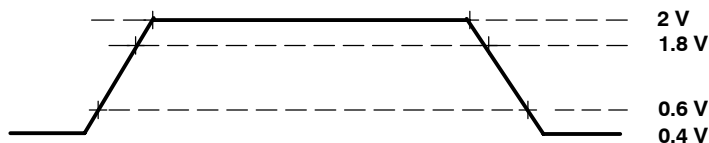


Figure 8. 'LC31 Output Levels

Transition times for inputs are specified as follows:

- For a high-to-low transition on an input signal, the level at which the input is said to be no longer high is 1.8 V and the level at which the input is said to be low is 0.6 V.
- For a low-to-high transition on an input signal, the level at which the input is said to be no longer low is 0.6 V and the level at which the input is said to be high is 1.8 V.



Figure 9. 'LC31 Input Levels

PARAMETER MEASUREMENT INFORMATION

timing parameter symbology

Timing parameter symbols used herein were created in accordance with JEDEC Standard 100-A. In order to shorten the symbols, some of the pin names and other related terminology have been abbreviated as follows, unless otherwise noted:

A	A23-A0	H	H1 and H3
ASYNCH	Asynchronous reset signals	HOLD	$\overline{\text{HOLD}}$
C	CLKX0	HOLDA	$\overline{\text{HOLDA}}$
CI	CLKIN	IACK	$\overline{\text{IACK}}$
CLKR	CLKR0	INT	$\overline{\text{INT3-INT0}}$
CONTROL	Control signals	RDY	$\overline{\text{RDY}}$
D	D31-D0	RW	R/ $\overline{\text{W}}$
DR	DR	RESET	$\overline{\text{RESET}}$
DX	DX	S	$\overline{\text{STRB}}$
FS	FSX/R	SCK	CLKX/R
FSX	FSX0	SHZ	$\overline{\text{SHZ}}$
FSR	FSR0	TCLK	TCLK0, TCLK1, or TCLKx
GPI	General-purpose input	XF	XF0, XF1, or XFx
GPIO	General-purpose input/output; peripheral pin	XFIO	XFx switching from input to output
GPO	General-purpose output		

TMS320C31, TMS320LC31 DIGITAL SIGNAL PROCESSORS

SPRS035B - MARCH 1996 - REVISED JANUARY 1999

timing

Timing specifications apply to the TMS320C31 and TMS320LC31.

X2/CLKIN, H1, and H3 timing

The following table defines the timing parameters for the X2/CLKIN, H1, and H3 interface signals. The numbers shown in Figure 10 and Figure 11 correspond with those in the NO. column of the table below.

timing parameters for X2/CLKIN, H1, H3 (see Figure 10 and Figure 11)

NO.		'LC31		'C31-40 'LC31-40		'C31-50		'C31-60		'C31-80		UNIT
		MIN	MAX	MIN	MAX	MIN	MAX	MIN	MAX	MIN	MAX	
1	$t_{f(C)}$	Fall time, CLKIN		5 [†]		5 [†]		5 [†]		4 [†]		ns
2	$t_{w(CIL)}$	Pulse duration, CLKIN low $t_{c(C)} = \text{min}$		10		9		7		6		ns
3	$t_{w(CH)}$	Pulse duration, CLKIN high $t_{c(C)} = \text{min}$		10		9		7		6		ns
4	$t_{r(C)}$	Rise time, CLKIN		5 [†]		5 [†]		5 [†]		4 [†]		ns
5	$t_{c(C)}$	Cycle time, CLKIN		30 303		25 303		20 303		16.67 303		ns
6	$t_{f(H)}$	Fall time, H1 and H3		3		3		3		3		ns
7	$t_{w(HL)}$	Pulse duration, H1 and H3 low		P-6 [‡]		P-5 [‡]		P-5 [‡]		P-4 [‡]		ns
8	$t_{w(HH)}$	Pulse duration, H1 and H3 high		P-7 [‡]		P-6 [‡]		P-6 [‡]		P-5 [‡]		ns
9	$t_{r(H)}$	Rise time, H1 and H3		4		3		3		3		ns
10	$t_{d(HL-HH)}$	Delay time. from H1 low to H3 high or from H3 low to H1 high		0 5		0 4		0 4		0 3		ns
11	$t_{c(H)}$	Cycle time, H1 and H3		60 606		50 606		40 606		33.3 606		ns

[†] Specified by design but not tested

[‡] P = $t_{c(C)}$

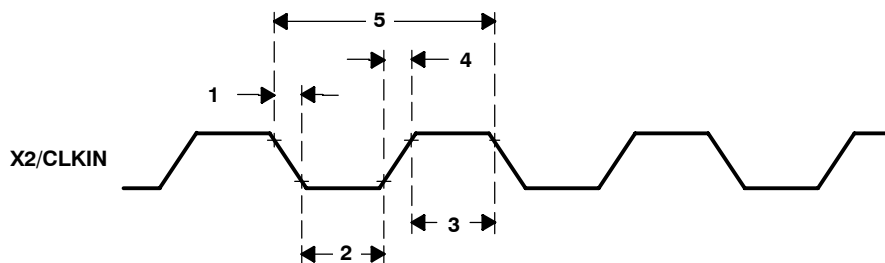


Figure 10. Timing for X2/CLKIN

X2/CLKIN, H1, and H3 timing (continued)

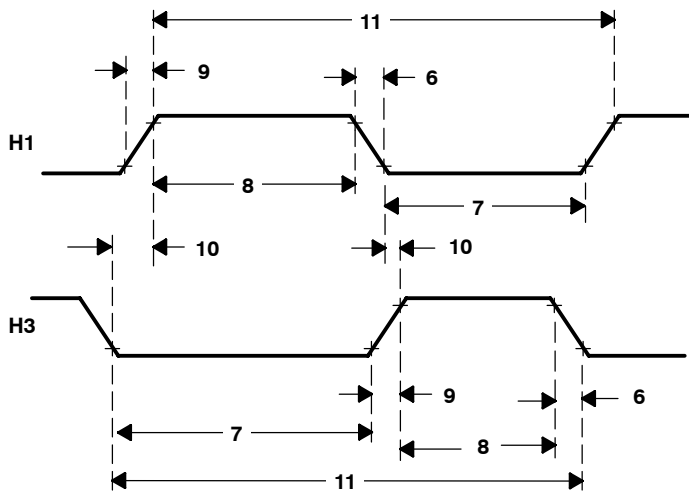


Figure 11. Timing for H1 and H3

TMS320C31, TMS320LC31 DIGITAL SIGNAL PROCESSORS

SPRS035B - MARCH 1996 - REVISED JANUARY 1999

memory read/write timing

The following table defines memory read/write timing parameters for $\overline{\text{STRB}}$. The numbers shown in Figure 12 and Figure 13 correspond with those in the NO. column of the table below.

timing parameters for memory ($\overline{\text{STRB}} = 0$) read/write (see Figure 12 and Figure 13)[†]

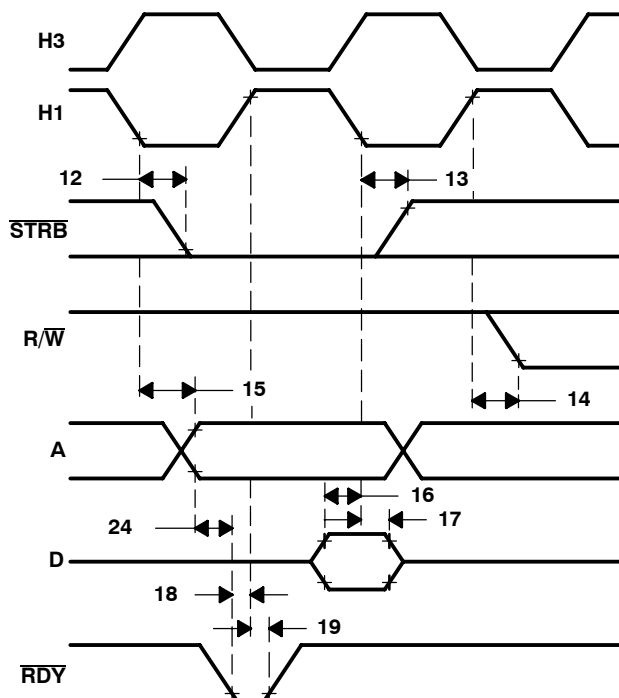
NO.		'LC31-33		'C31-40 'LC31-40		'C31-50		'C31-60		'C31-80		UNIT
		MIN	MAX	MIN	MAX	MIN	MAX	MIN	MAX	MIN	MAX	
12	$t_{d(H1L-SL)}$ Delay time, H1 low to $\overline{\text{STRB}}$ low	0 [‡]	10	0 [‡]	6	0 [‡]	5	0 [‡]	5	0 [‡]	5	ns
13	$t_{d(H1L-SH)}$ Delay time, H1 low to $\overline{\text{STRB}}$ high	0 [‡]	10	0 [‡]	6	0 [‡]	5	0 [‡]	5	0 [‡]	5	ns
14	$t_{d(H1H-RWLJR)}$ Delay time, H1 high to $\overline{\text{RW}}$ low (read)	0 [‡]	10	0 [‡]	9	0 [‡]	7	0 [‡]	6	0 [‡]	4	ns
15	$t_{d(H1L-A)}$ Delay time, H1 low to A valid	0 [‡]	14	0 [‡]	11	0 [‡]	9	0 [‡]	8	0 [‡]	7	ns
16	$t_{su(D-H1L)R}$ Setup time, D before H1 low (read)	16		14		10		9		8		ns
17	$t_{h(H1L-D)R}$ Hold time, D after H1 low (read)	0		0		0		0		0		ns
18	$t_{su(RDY-H1H)}$ Setup time, $\overline{\text{RDY}}$ before H1 high	8		8		6		5		4		ns
19	$t_{h(H1H-RDY)}$ Hold time, $\overline{\text{RDY}}$ after H1 high	0		0		0		0		0		ns
20	$t_{d(H1H-RWH)W}$ Delay time, H1 high to $\overline{\text{RW}}$ high (write)	10		9		7		6		4		ns
21	$t_{v(H1L-D)W}$ Valid time, D after H1 low (write)	20		17		14		12		8		ns
22	$t_{h(H1H-D)W}$ Hold time, D after H1 high (write)	0		0		0		0		0		ns
23	$t_{d(H1H-A)W}$ Delay time, H1 high to A valid on back-to-back write cycles (write)	18		15		12		10		8		ns
24	$t_{d(A-RDY)}$ Delay time, $\overline{\text{RDY}}$ from A valid	8 [‡]		7 [‡]		6 [‡]		6 [‡]		P - 8 [§]		ns
24A	T_{aa} Address valid to data valid (read)	30		25		21		16		10		ns

[†] See Figure 14 for address bus timing variation with load capacitance greater than typical load-circuit capacitance ($C_T = 80$ pF).

[‡] This value is characterized but not tested

[§] In earlier data sheets, this parameter was shown as an "at speed" value. It is in fact a synchronized signal and therefore relative to $T_{c(H)}$ where $P = t_{c(C1)} = t_{c(H)}/2$.

memory read/write timing (continued)



NOTE A: STRB remains low during back-to-back read operations.

Figure 12. Timing for Memory (STRB = 0) Read

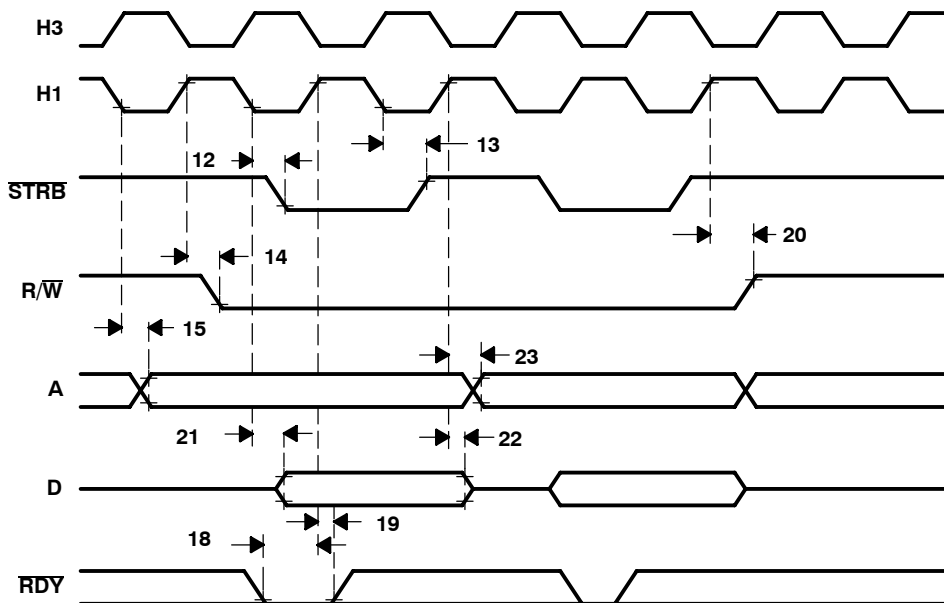
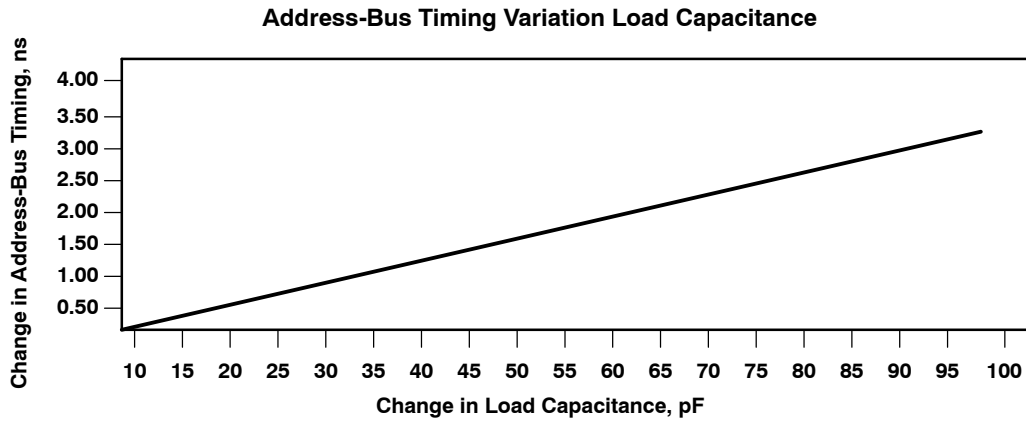


Figure 13. Timing for Memory (STRB = 0) Write

TMS320C31, TMS320LC31 DIGITAL SIGNAL PROCESSORS

SPRS035B - MARCH 1996 - REVISED JANUARY 1999

memory read/write timing (continued)



NOTE A: 30 pF/ns slope

Figure 14. Address-Bus Timing Variation With Load Capacitance (see Note A)

XF0 and XF1 timing when executing LDFI or LDII

The following tables define the timing parameters for XF0 and XF1 during execution of LDFI or LDII. The numbers shown in Figure 15 correspond with those in the NO. column of the tables below.

timing parameters for XF0 and XF1 when executing LDFI or LDII for TMS320C31 (see Figure 15)

NO.			'LC31-33		'C31-40 'LC31-40		'C31-50		'C31-60		'C31-80		UNIT
			MIN	MAX	MIN	MAX	MIN	MAX	MIN	MAX	MIN	MAX	
25	$t_{d(H3H-XF0L)}$	Delay time, H3 high to XF0 low		15		13		12		11		8	ns
26	$t_{su(XF1-H1L)}$	Setup time, XF1 before H1 low	10		9		9		8		6		ns
27	$t_{h(H1L-XF1)}$	Hold time, XF1 after H1 low	0		0		0		0		0		ns

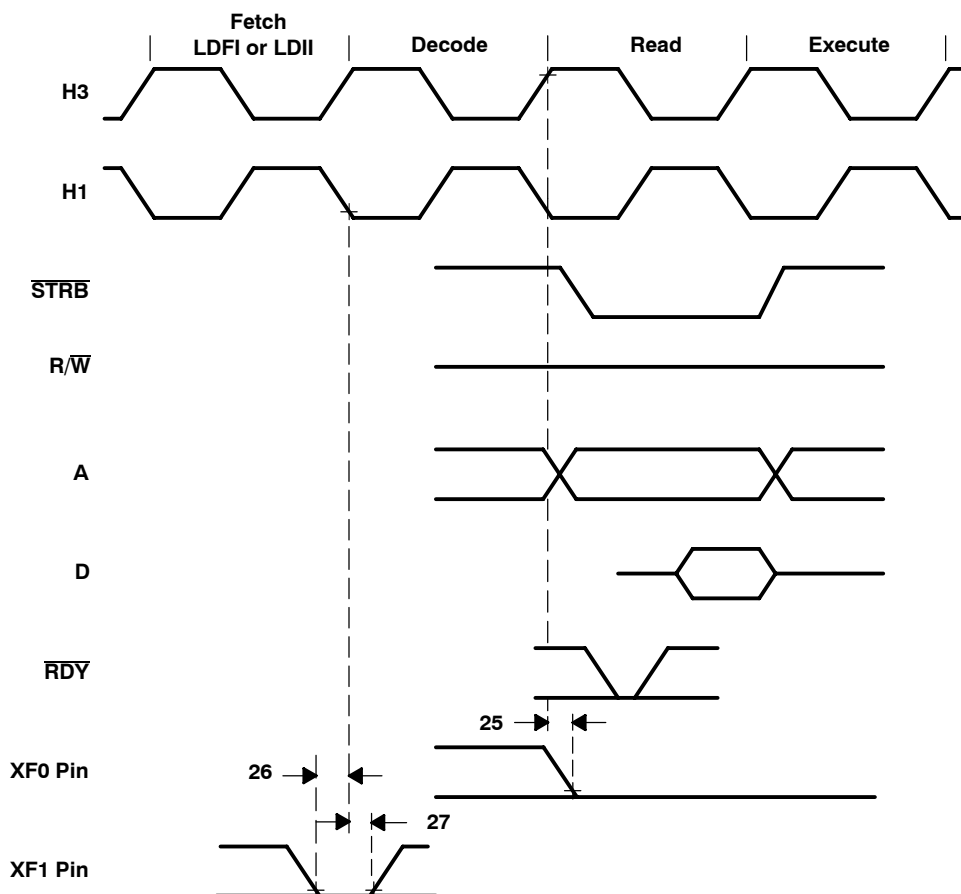


Figure 15. Timing for XF0 and XF1 When Executing LDFI or LDII

TMS320C31, TMS320LC31 DIGITAL SIGNAL PROCESSORS

SPRS035B - MARCH 1996 - REVISED JANUARY 1999

XF0 timing when executing STFI and STII†

The following table defines the timing parameters for the XF0 pin during execution of STFI or STII. The number shown in Figure 16 corresponds with the number in the NO. column of the table below.

timing parameters for XF0 when executing STFI or STII (see Figure 16)

NO.		'LC31-33		'C31-40 'LC31-40		'C31-50		'C31-60		'C31-80		UNIT
		MIN	MAX	MIN	MAX	MIN	MAX	MIN	MAX	MIN	MAX	
28	$t_{d(H3H-XF0H)}$ Delay time, H3 high to XF0 high		15		13		12		11		8	ns

† XF0 is always set high at the beginning of the execute phase of the interlock-store instruction. When no pipeline conflicts occur, the address of the store is also driven at the beginning of the execute phase of the interlock-store instruction. However, if a pipeline conflict prevents the store from executing, the address of the store will not be driven until the store can execute.

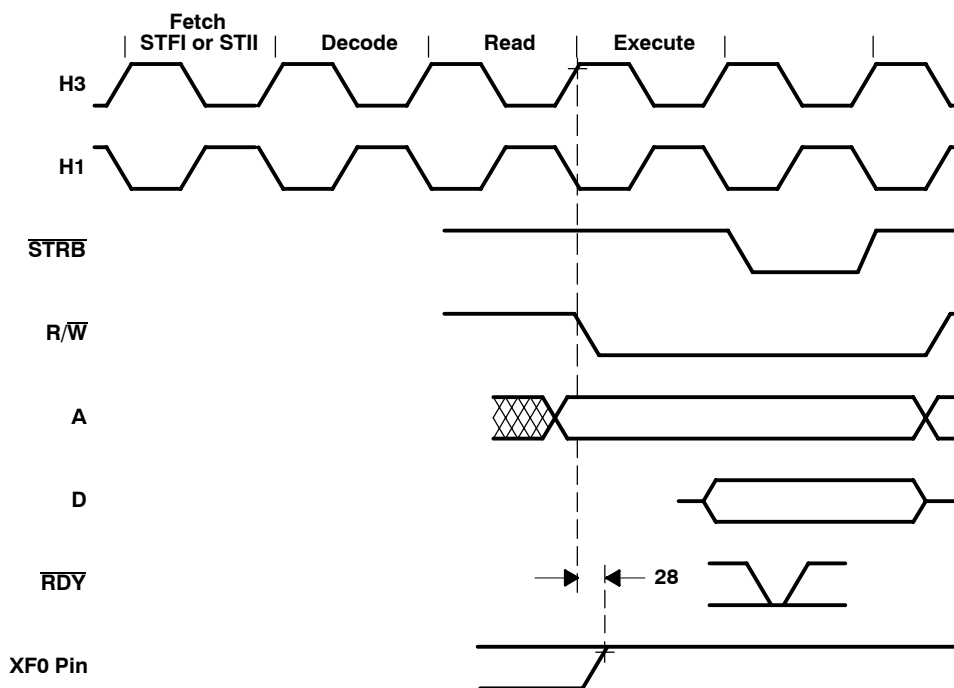


Figure 16. Timing for XF0 When Executing an STFI or STII

XF0 and XF1 timing when executing SIGI

The following tables define the timing parameters for the XF0 and XF1 pins during execution of SIGI. The numbers shown in Figure 17 correspond with those in the NO. column of the tables below.

timing parameters for XF0 and XF1 when executing SIGI for TMS320C31 (see Figure 17)

NO.			'LC31-33		'C31-40 'LC31-40		'C31-50		'C31-60		'C31-80		UNIT
			MIN	MAX	MIN	MAX	MIN	MAX	MIN	MAX	MIN	MAX	
29	$t_{d(H3H-XF0L)}$	Delay time, H3 high to XF0 low		15		13		12		11		8	ns
30	$t_{d(H3H-XF0H)}$	Delay time, H3 high to XF0 high		15		13		12		11		8	ns
31	$t_{su(XF1-H1L)}$	Setup time, XF1 before H1 low	10		9		9		8		6		ns
32	$t_h(H1L-XF1)$	Hold time, XF1 after H1 low	0		0		0		0		0		ns

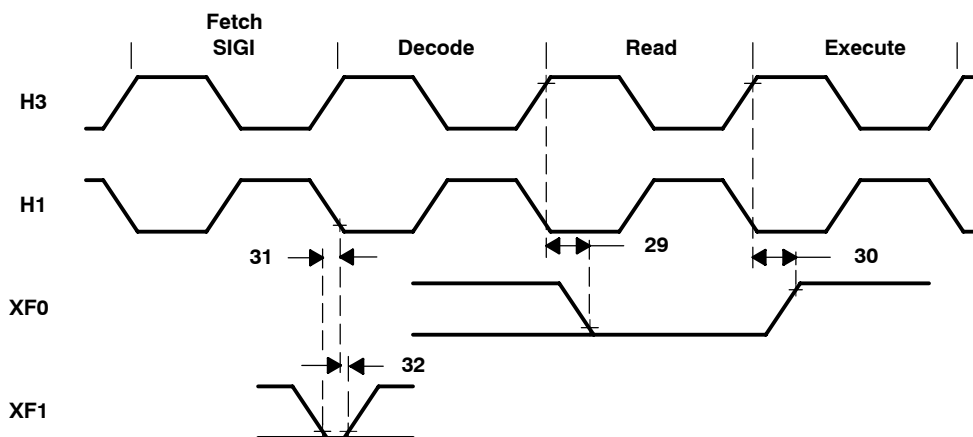


Figure 17. Timing for XF0 and XF1 When Executing SIGI

TMS320C31, TMS320LC31 DIGITAL SIGNAL PROCESSORS

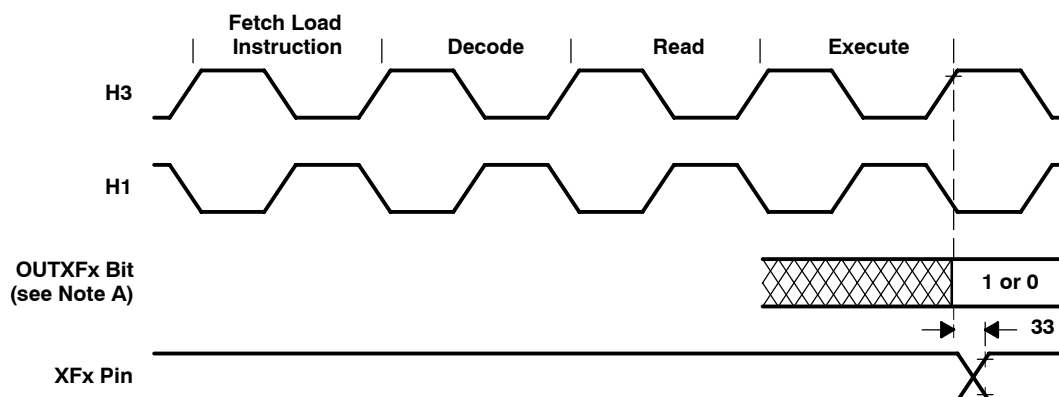
SPRS035B - MARCH 1996 - REVISED JANUARY 1999

loading when XF is configured as an output

The following table defines the timing parameter for loading the XF register when the XFx pin is configured as an output. The number shown in Figure 18 corresponds with the number in the NO. column of the table below.

timing parameters for loading the XF register when configured as an output pin (see Figure 18)

NO.		'LC31-33	'C31-40 'LC31-40	'C31-50	'C31-60	'C31-80	UNIT
		MIN MAX	MIN MAX	MIN MAX	MIN MAX	MIN MAX	
33	$t_{v(H3H-XF)}$ Valid time, H3 high to XFx	15	13	12	11	8	ns



NOTE A: OUTXFx represents either bit 2 or 6 of the IOF register.

Figure 18. Timing for Loading XF Register When Configured as an Output Pin

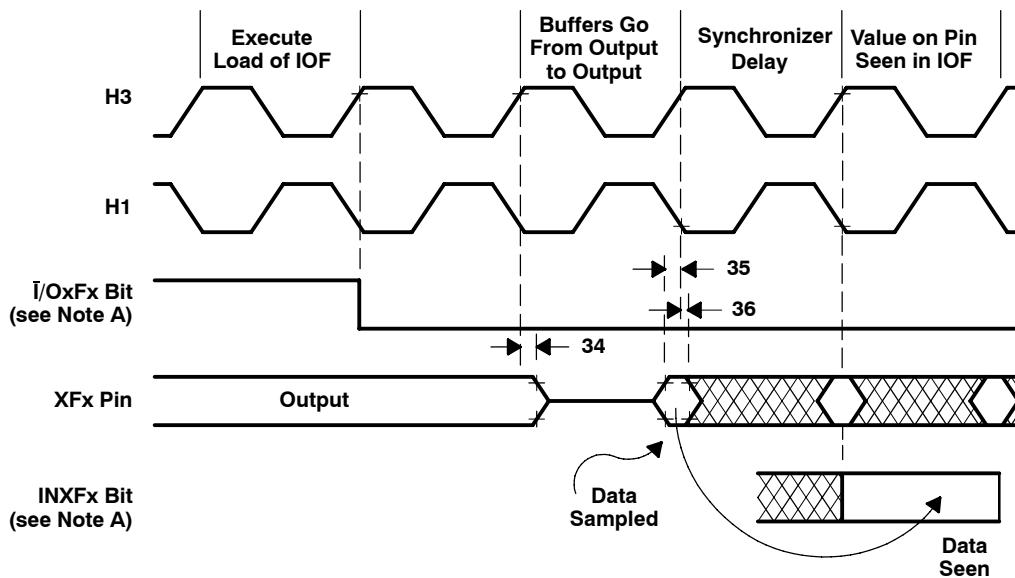
changing XFx from an output to an input

The following table defines the timing parameters for changing the XFx pin from an output pin to an input pin. The numbers shown in Figure 19 correspond with those in the NO. column of the table below.

timing parameters of XFx changing from output to input mode for TMS320C31 (see Figure 19)

NO.		'LC31-33		'C31-40 'LC31-40		'C31-50		'C31-60		'C31-80		UNIT
		MIN	MAX	MIN	MAX	MIN	MAX	MIN	MAX	MIN	MAX	
34	$t_{h(H3H-XF)}$	15 [†]		13 [†]		12 [†]		11 [†]		9 [†]		ns
35	$t_{su(XF-H1L)}$	10		9		9		8		6		ns
36	$t_{h(H1L-XF)}$	0		0		0		0		0		ns

[†] This value is characterized but not tested.



NOTE A: $\bar{I}/OxFx$ represents either bit 1 or bit 5 of the IOF register, and $INxFx$ represents either bit 3 or bit 7 of the IOF register.

Figure 19. Timing for Change of XFx From Output to Input Mode

TMS320C31, TMS320LC31 DIGITAL SIGNAL PROCESSORS

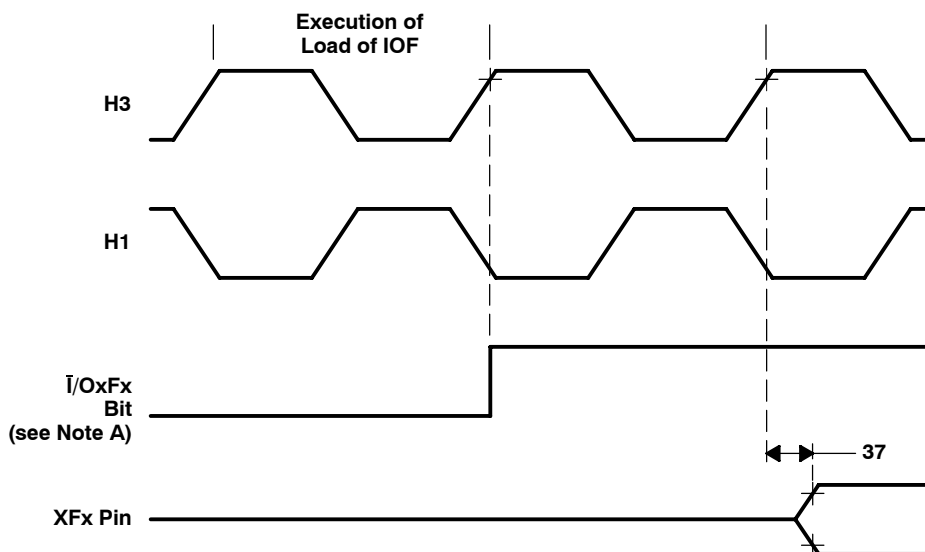
SPRS035B - MARCH 1996 - REVISED JANUARY 1999

changing XFx from an input to an output

The following table defines the timing parameter for changing the XFx pin from an input pin to an output pin. The number shown in Figure 20 corresponds with the number in the NO. column of the table below.

timing parameters of XFx changing from input to output mode (see Figure 20)

NO.			'LC31-33	'C31-40 'LC31-40	'C31-50	'C31-60	'C31-80	UNIT	
			MIN	MAX	MIN	MAX	MIN		MAX
37	$t_{d(H3H-XFIO)}$	Delay time, H3 high to XFx switching from input to output		20	17	17	16	9	ns



NOTE A: $\overline{I/OxFx}$ represents either bit 1 or bit 5 of the IOF register.

Figure 20. Timing for Change of XFx From Input to Output Mode

reset timing

\overline{RESET} is an asynchronous input that can be asserted at any time during a clock cycle. If the specified timings are met, the exact sequence shown in Figure 21 occurs; otherwise, an additional delay of one clock cycle is possible.

The asynchronous reset signals include XF0/1, CLKX0, DX0, FSX0, CLKR0, DR0, FSR0, and TCLK0/1.

The following table defines the timing parameters for the \overline{RESET} signal. The numbers shown in Figure 21 correspond with those in the NO. column of the following table.

Resetting the device initializes the bus control register to seven software wait states and therefore results in slow external accesses until these registers are initialized.

\overline{HOLD} is an asynchronous input and can be asserted during reset.

timing parameters for **RESET** for the TMS320C31 and TMS320LC31 (see Figure 21)

NO.		'LC31-33		'C31-40 'LC31-40		'LC31-40		'C31-50		'C31-60		'C31-80		UNIT
		MIN	MAX	MIN	MAX	MIN	MAX	MIN	MAX	MIN	MAX	MIN	MAX	
38	$t_{su}(\text{RESET-CL})$	10	P††	10	P††	10	P††	10	P††	7	P††	4	P††	ns
39	$t_d(\text{CLKINH-H1H})$	2	12	2	12 [‡]	2	14	2	10	2	10	2	8	ns
40	$t_d(\text{CLKINH-H1L})$	2	12	2	12 [‡]	2	14	2	10	2	10	2	8	ns
41	$t_{su}(\text{RESETH-H1L})$	10		9		9		7		6		5		ns
42	$t_d(\text{CLKINH-H3L})$	2	12 [‡]	2	12	2	14	2	10	2	10	2	8	ns
43	$t_d(\text{CLKINH-H3H})$	2	12 [‡]	2	12	2	14	2	10	2	10	2	8	ns
44	$t_{dis}(\text{H1H-DZ})$		15 [§]		13 [§]		13 [§]		12 [§]		11 [§]		9 [§]	ns
45	$t_{dis}(\text{H3H-AZ})$		10 [§]		9 [§]		9 [§]		8 [§]		7 [§]		6 [§]	ns
46	$t_d(\text{H3H-CONTROLH})$		10 [§]		9 [§]		9 [§]		8 [§]		7 [§]		6 [§]	ns
47	$t_d(\text{H1H-RWH})$		10 [§]		9 [§]		9 [§]		8 [§]		7 [§]		6 [§]	ns
48	$t_d(\text{H1H-IACKH})$		10 [§]		9 [§]		9 [§]		8 [§]		7 [§]		6 [§]	ns
49	$t_{dis}(\text{RESETL-ASYNCH})$		25 [#]		21 [#]		21 [#]		17 [#]		14 [#]		12 [#]	ns

† P = $t_c(C)$

‡ Specified by design but not tested

§ See Figure 22 for temperature dependence.

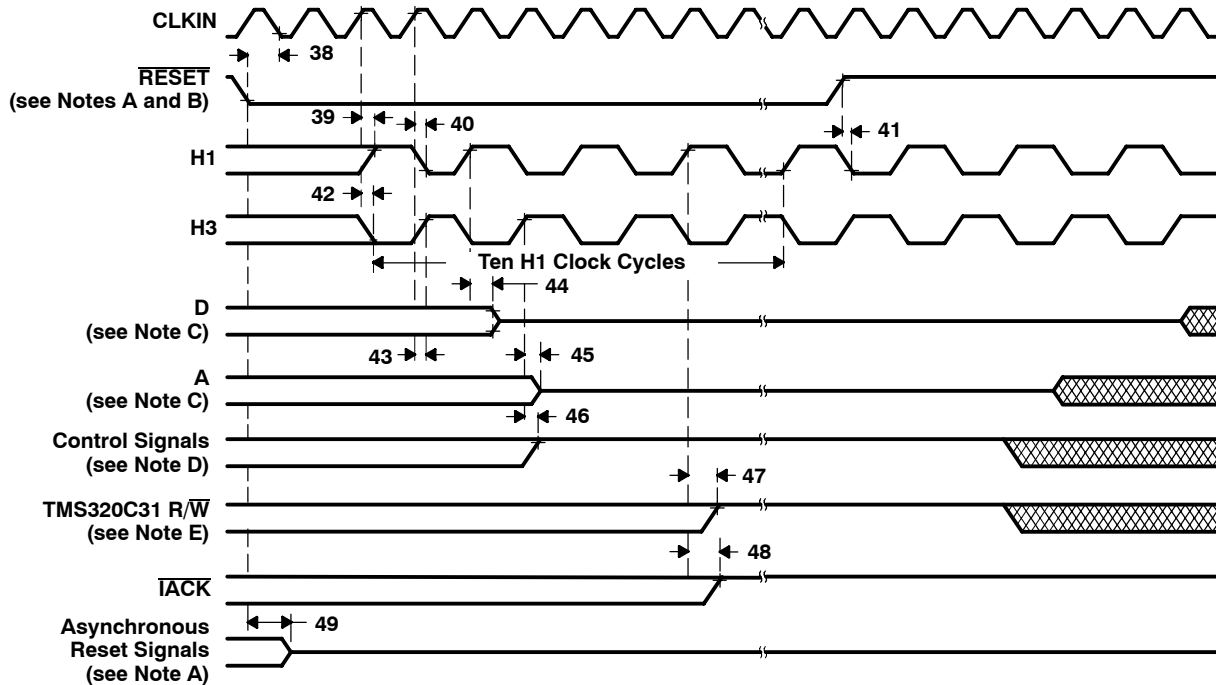
[¶] 14 ns for the extended temperature 'C31-40

[#] This value is characterized but not tested

TMS320C31, TMS320LC31 DIGITAL SIGNAL PROCESSORS

SPRS035B - MARCH 1996 - REVISED JANUARY 1999

timing parameters for $\overline{\text{RESET}}$ for the TMS320C31 and TMS320LC31 (continued)



- NOTES:
- A. Asynchronous reset signals include XF0/1, CLKX0, DX0, FSX0, CLKR0, DR0, FSR0, and TCLK0/1.
 - B. $\overline{\text{RESET}}$ is an asynchronous input and can be asserted at any point during a clock cycle. If the specified timings are met, the exact sequence shown occurs; otherwise, an additional delay of one clock cycle is possible.
 - C. In microprocessor mode, the reset vector is fetched twice, with seven software wait states each time. In microcomputer mode, the reset vector is fetched twice, with no software wait states.
 - D. Control signals include STRB.
 - E. The R/W outputs are placed in a high-impedance state during reset and can be provided with a resistive pullup, nominally 18-22 k Ω , if undesirable spurious writes are caused when these outputs go low.

Figure 21. Timing for $\overline{\text{RESET}}$

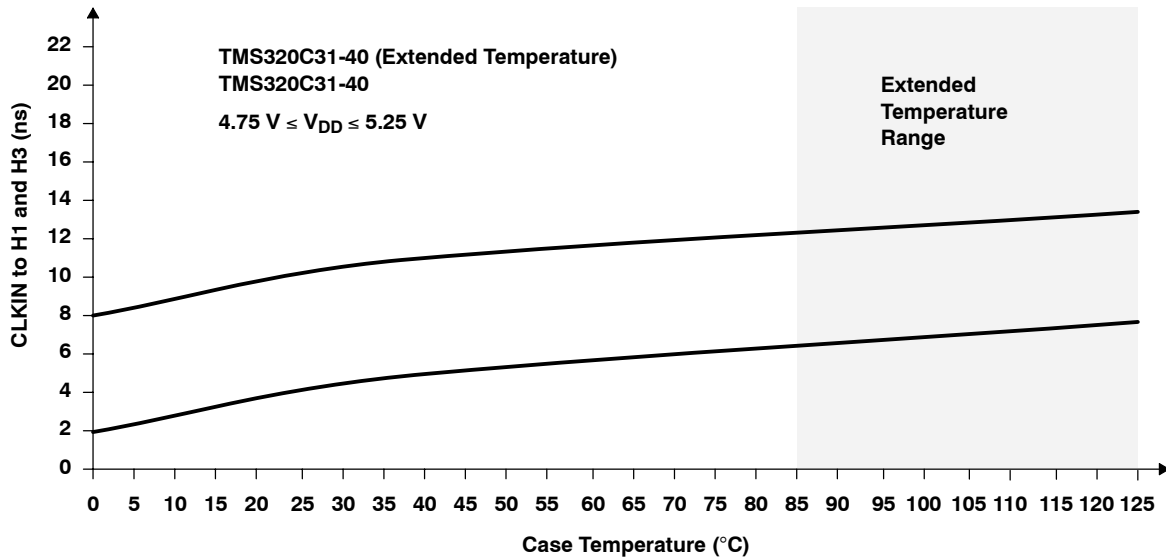


Figure 22. CLKIN to H1 and H3 as a Function of Temperature



interrupt response timing

The following table defines the timing parameters for the \overline{INT} signals. The numbers shown in Figure 23 correspond with those in the NO. column of the table below.

timing parameters for $\overline{INT3}$ - $\overline{INT0}$ response (see Figure 23)

NO.		'LC31-33		'C31-40 'LC31-40		'C31-50		'C31-60		'C31-80		UNIT
		MIN	MAX	MIN	MAX	MIN	MAX	MIN	MAX	MIN	MAX	
50	$t_{su(INT-H1L)}$ Setup time, $\overline{INT3}$ - $\overline{INT0}$ before H1 low	15		13		10		8		5		ns
51	$t_w(INT)$ Pulse duration, interrupt to ensure only one interrupt	P	2P†‡	P	2P†‡	P	2P†‡	P	2P†‡	P	2P†‡	ns

† This value is characterized but not tested.

‡ P = $t_{c(H)}$

The interrupt (\overline{INT}) pins are asynchronous inputs that can be asserted at any time during a clock cycle. The TMS320C3x interrupts are level-sensitive, not edge-sensitive. Interrupts are detected on the falling edge of H1. Therefore, interrupts must be set up and held to the falling edge of H1 for proper detection. The CPU and DMA respond to detected interrupts on instruction-fetch boundaries only.

For the processor to recognize only one interrupt on a given input, an interrupt pulse must be set up and held to:

- A minimum of one H1 falling edge
- No more than two H1 falling edges

The TMS320C3x can accept an interrupt from the same source every two H1 clock cycles.

If the specified timings are met, the exact sequence shown in Figure 23 occurs; otherwise, an additional delay of one clock cycle is possible.

TMS320C31, TMS320LC31 DIGITAL SIGNAL PROCESSORS

SPRS035B - MARCH 1996 - REVISED JANUARY 1999

timing parameters for $\overline{\text{INT3}}-\overline{\text{INT0}}$ response (continued)

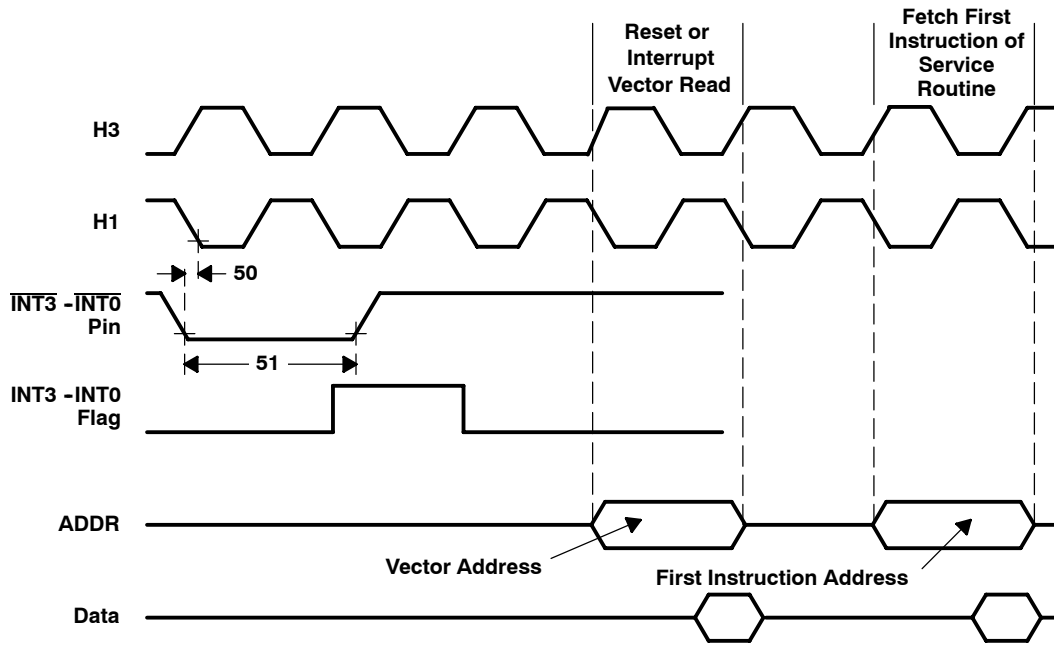


Figure 23. Timing for $\overline{\text{INT3}}-\overline{\text{INT0}}$ Response

interrupt-acknowledge timing

The $\overline{\text{IACK}}$ output goes active on the first half-cycle (H1 rising) of the decode phase of the IACK instruction and goes inactive at the first half-cycle (H1 rising) of the read phase of the IACK instruction.

The following table defines the timing parameters for the $\overline{\text{IACK}}$ signal. The numbers shown in Figure 24 correspond with those in the NO. column of the table below.

timing parameters for $\overline{\text{IACK}}$ (see Note 7 and Figure 24)

NO.			'LC31-33		'C31-40 'LC31-40		'C31-50		'C31-60		'C31-80		UNIT
			MIN	MAX	MIN	MAX	MIN	MAX	MIN	MAX	MIN	MAX	
52	$t_{d(H1H-IACKL)}$	Delay time, H1 high to $\overline{\text{IACK}}$ low		10		9		7		6		5	ns
53	$t_{d(H1H-IACKH)}$	Delay time, H1 high to $\overline{\text{IACK}}$ high		10		9		7		6		5	ns

NOTE 7: $\overline{\text{IACK}}$ goes active on the first half-cycle (H1 rising) of the decode phase of the IACK instruction and goes inactive at the first half-cycle (H1 rising) of the read phase of the IACK instruction. Because of pipeline conflicts, $\overline{\text{IACK}}$ remains low for one cycle even if the decode phase of the IACK instruction is extended.

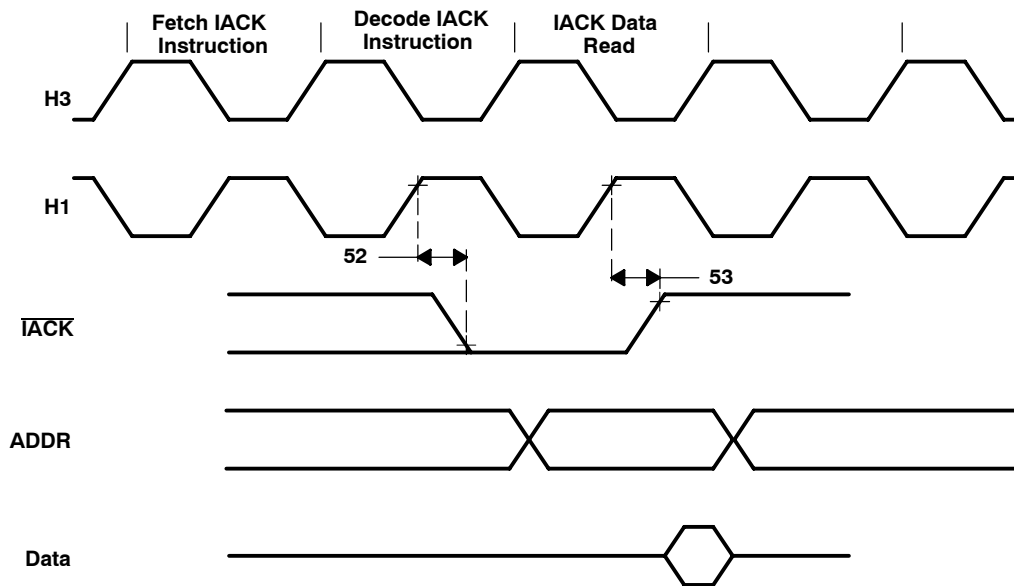


Figure 24. Timing for $\overline{\text{IACK}}$

TMS320C31, TMS320LC31 DIGITAL SIGNAL PROCESSORS

SPRS035B - MARCH 1996 - REVISED JANUARY 1999

serial-port timing parameters for TMS320C31-33 and TMS320LC31-33 (see Figure 25 and Figure 26)

NO.			'LC31-33		UNIT
			MIN	MAX	
54	$t_{d(H1H-SCK)}$	Delay time, H1 high to internal CLKX/R		15	ns
55	$t_{c(SCK)}$	Cycle time, CLKX/R	CLKX/R ext	$t_{c(H)} \times 2.6$	ns
			CLKX/R int	$t_{c(H)} \times 2$ $t_{c(H)} \times 2^{32}$	
56	$t_w(SCK)$	Pulse duration, CLKX/R high/low	CLKX/R ext	$t_{c(H)} + 12$	ns
			CLKX/R int	$[t_{c(SCK)}/2] - 15$ $[t_{c(SCK)}/2] + 5$	
57	$t_r(SCK)$	Rise time, CLKX/R		8	ns
58	$t_f(SCK)$	Fall time, CLKX/R		8	ns
59	$t_d(C-DX)$	Delay time, CLKX to DX valid	CLKX ext	35	ns
			CLKX int	20	
60	$t_{su}(DR-CLKRL)$	Setup time, DR before CLKR low	CLKR ext	10	ns
			CLKR int	25	
61	$t_h(CLKRL-DR)$	Hold time, DR from CLKR low	CLKR ext	10	ns
			CLKR int	0	
62	$t_d(C-FSX)$	Delay time, CLKX to internal FSX high/low	CLKX ext	32	ns
			CLKX int	17	
63	$t_{su}(FSR-CLKRL)$	Setup time, FSR before CLKR low	CLKR ext	10	ns
			CLKR int	10	
64	$t_h(SCKL-FS)$	Hold time, FSX/R input from CLKX/R low	CLKX/R ext	10	ns
			CLKX/R int	0	
65	$t_{su}(FSX-C)$	Setup time, external FSX before CLKX	CLKX ext	$-[t_{c(H)} - 8]^{\dagger}$ $[t_{c(SCK)}/2] - 10^{\dagger}$	ns
			CLKX int	$[t_{c(H)} - 21]^{\dagger}$ $t_{c(SCK)}/2^{\dagger}$	
66	$t_d(CH-DX)V$	Delay time, CLKX to first DX bit, FSX precedes CLKX high	CLKX ext	36^{\dagger}	ns
			CLKX int	21^{\dagger}	
67	$t_d(FSX-DX)V$	Delay time, FSX to first DX bit, CLKX precedes FSX		36^{\dagger}	ns
68	$t_d(CH-DXZ)$	Delay time, CLKX high to DX high impedance following last data bit		20^{\dagger}	ns

[†] This value is characterized but not tested



serial-port timing parameters for TMS320C31-40 and TMS320LC31-40 (see Figure 25 and Figure 26)

NO.			'C31-40 'LC31-40		UNIT
			MIN	MAX	
54	$t_{d(H1H-SCK)}$	Delay time, H1 high to internal CLKX/R		13	ns
55	$t_{c(SCK)}$	Cycle time, CLKX/R	CLKX/R ext	$t_{c(H)} \times 2.6$	ns
			CLKX/R int	$t_{c(H)} \times 2$ $t_{c(H)} \times 2^{32}$	
56	$t_{w(SCK)}$	Pulse duration, CLKX/R high/low	CLKX/R ext	$t_{c(H)} + 10$	ns
			CLKX/R int	$[t_{c(SCK)}/2] - 5$ $[t_{c(SCK)}/2] + 5$	
57	$t_{r(SCK)}$	Rise time, CLKX/R		7	ns
58	$t_{f(SCK)}$	Fall time, CLKX/R		7	ns
59	$t_{d(C-DX)}$	Delay time, CLKX to DX valid	CLKX ext	30	ns
			CLKX int	17	
60	$t_{su(DR-CLKRL)}$	Setup time, DR before CLKR low	CLKR ext	9	ns
			CLKR int	21	
61	$t_{h(CLKRL-DR)}$	Hold time, DR from CLKR low	CLKR ext	9	ns
			CLKR int	0	
62	$t_{d(C-FSX)}$	Delay time, CLKX to internal FSX high/low	CLKX ext	27	ns
			CLKX int	15	
63	$t_{su(FSR-CLKRL)}$	Setup time, FSR before CLKR low	CLKR ext	9	ns
			CLKR int	9	
64	$t_{h(SCKL-FS)}$	Hold time, FSX/R input from CLKX/R low	CLKX/R ext	9	ns
			CLKX/R int	0	
65	$t_{su(FSX-C)}$	Setup time, external FSX before CLKX	CLKX ext	$-[t_{c(H)} - 8]^{\dagger}$ $[t_{c(SCK)}/2] - 10^{\dagger}$	ns
			CLKX int	$[t_{c(H)} - 21]^{\dagger}$ $t_{c(SCK)}/2^{\dagger}$	
66	$t_{d(CH-DX)V}$	Delay time, CLKX to first DX bit, FSX precedes CLKX high	CLKX ext	30^{\dagger}	ns
			CLKX int	18^{\dagger}	
67	$t_{d(FSX-DX)V}$	Delay time, FSX to first DX bit, CLKX precedes FSX		30^{\dagger}	ns
68	$t_{d(CH-DXZ)}$	Delay time, CLKX high to DX high impedance following last data bit		17^{\dagger}	ns

[†] This value is characterized but not tested

TMS320C31, TMS320LC31 DIGITAL SIGNAL PROCESSORS

SPRS035B - MARCH 1996 - REVISED JANUARY 1999

serial-port timing parameters for TMS320C31-50 (see Figure 25 and Figure 26)

NO.			'C31-50		UNIT
			MIN	MAX	
54	$t_{d(H1H-SCK)}$	Delay time, H1 high to internal CLKX/R		10	ns
55	$t_{c(SCK)}$	Cycle time, CLKX/R	CLKX/R ext	$t_{c(H)} \times 2.6$	ns
			CLKX/R int	$t_{c(H)} \times 2$ $t_{c(H)} \times 2^{32}$	
56	$t_{w(SCK)}$	Pulse duration, CLKX/R high/low	CLKX/R ext	$t_{c(H)} + 10$	ns
			CLKX/R int	$[t_{c(SCK)}/2] - 5$ $[t_{c(SCK)}/2] + 5$	
57	$t_r(SCK)$	Rise time, CLKX/R		6	ns
58	$t_f(SCK)$	Fall time, CLKX/R		6	ns
59	$t_{d(C-DX)}$	Delay time, CLKX to DX valid	CLKX ext	24	ns
			CLKX int	16	
60	$t_{su(DR-CLKRL)}$	Setup time, DR before CLKR low	CLKR ext	9	ns
			CLKR int	17	
61	$t_h(CLKRL-DR)$	Hold time, DR from CLKR low	CLKR ext	7	ns
			CLKR int	0	
62	$t_{d(C-FSX)}$	Delay time, CLKX to internal FSX high/low	CLKX ext	22	ns
			CLKX int	15	
63	$t_{su(FSR-CLKRL)}$	Setup time, FSR before CLKR low	CLKR ext	7	ns
			CLKR int	7	
64	$t_h(SCKL-FS)$	Hold time, FSX/R input from CLKX/R low	CLKX/R ext	7	ns
			CLKX/R int	0	
65	$t_{su(FSX-C)}$	Setup time, external FSX before CLKX	CLKX ext	$-[t_{c(H)} - 8]^{\dagger}$ $[t_{c(SCK)}/2] - 10^{\dagger}$	ns
			CLKX int	$-[t_{c(H)} - 21]^{\dagger}$ $t_{c(SCK)}/2^{\dagger}$	
66	$t_{d(CH-DX)V}$	Delay time, CLKX to first DX bit, FSX precedes CLKX high	CLKX ext	24^{\dagger}	ns
			CLKX int	14^{\dagger}	
67	$t_{d(FSX-DX)V}$	Delay time, FSX to first DX bit, CLKX precedes FSX		24^{\dagger}	ns
68	$t_{d(CH-DXZ)}$	Delay time, CLKX high to DX high impedance following last data bit		14^{\dagger}	ns

[†] This value is characterized but not tested



serial-port timing parameters for TMS320C31-60 (see Figure 25 and Figure 26)

NO.			'C31-60		UNIT
			MIN	MAX	
54	$t_{d(H1H-SCK)}$	Delay time, H1 high to internal CLKX/R	8		ns
55	$t_{c(SCK)}$	Cycle time, CLKX/R	CLKX/R ext	$t_{c(H)} \times 2.6$	ns
			CLKX/R int	$t_{c(H)} \times 2$ $t_{c(H)} \times 2^{32}$	
56	$t_{w(SCK)}$	Pulse duration, CLKX/R high/low	CLKX/R ext	$t_{c(H)} + 10$	ns
			CLKX/R int	$[t_{c(SCK)}/2] - 5$ $[t_{c(SCK)}/2] + 5$	
57	$t_r(SCK)$	Rise time, CLKX/R	5		ns
58	$t_f(SCK)$	Fall time, CLKX/R	5		ns
59	$t_{d(C-DX)}$	Delay time, CLKX to DX valid	CLKX ext	20	ns
			CLKX int	15	
60	$t_{su(DR-CLKRL)}$	Setup time, DR before CLKR low	CLKR ext	8	ns
			CLKR int	15	
61	$t_h(CLKRL-DR)$	Hold time, DR from CLKR low	CLKR ext	6	ns
			CLKR int	0	
62	$t_{d(C-FSX)}$	Delay time, CLKX to internal FSX high/low	CLKX ext	20	ns
			CLKX int	14	
63	$t_{su(FSR-CLKRL)}$	Setup time, FSR before CLKR low	CLKR ext	6	ns
			CLKR int	6	
64	$t_h(SCKL-FS)$	Hold time, FSX/R input from CLKX/R low	CLKX/R ext	6	ns
			CLKX/R int	0	
65	$t_{su(FSX-C)}$	Setup time, external FSX before CLKX	CLKX ext	$-[t_{c(H)} - 8]^{\dagger}$ $[t_{c(SCK)}/2] - 10^{\dagger}$	ns
			CLKX int	$-[t_{c(H)} - 21]^{\dagger}$ $t_{c(SCK)}/2^{\dagger}$	
66	$t_{d(CH-DX)V}$	Delay time, CLKX to first DX bit, FSX precedes CLKX high	CLKX ext	20^{\dagger}	ns
			CLKX int	12^{\dagger}	
67	$t_{d(FSX-DX)V}$	Delay time, FSX to first DX bit, CLKX precedes FSX	20^{\dagger}		ns
68	$t_{d(CH-DXZ)}$	Delay time, CLKX high to DX high impedance following last data bit	12^{\dagger}		ns

[†] This value is characterized but not tested

TMS320C31, TMS320LC31 DIGITAL SIGNAL PROCESSORS

SPRS035B - MARCH 1996 - REVISED JANUARY 1999

serial-port timing parameters for TMS320C31-80 (see Figure 25 and Figure 26)

NO.			'C31-80		UNIT
			MIN	MAX	
54	$t_{d(H1H-SCK)}$	Delay time, H1 high to internal CLKX/R		7	ns
55	$t_{c(SCK)}$	Cycle time, CLKX/R	CLKX/R ext	$t_{c(H)} \times 2.6$	ns
			CLKX/R int	$t_{c(H)} \times 2$ $t_{c(H)} \times 2^{32}$	
56	$t_w(SCK)$	Pulse duration, CLKX/R high/low	CLKX/R ext	$t_{c(H)} + 6$	ns
			CLKX/R int	$[t_{c(SCK)}/2] - 5$ $[t_{c(SCK)}/2] + 5$	
57	$t_r(SCK)$	Rise time, CLKX/R		3	ns
58	$t_f(SCK)$	Fall time, CLKX/R		3	ns
59	$t_d(C-DX)$	Delay time, CLKX to DX valid	CLKX ext	16	ns
			CLKX int	11	
60	$t_{su}(DR-CLKRL)$	Setup time, DR before CLKR low	CLKR ext	6	ns
			CLKR int	13	
61	$t_h(CLKRL-DR)$	Hold time, DR from CLKR low	CLKR ext	5	ns
			CLKR int	0	
62	$t_d(C-FSX)$	Delay time, CLKX to internal FSX high/low	CLKX ext	16	ns
			CLKX int	12	
63	$t_{su}(FSR-CLKRL)$	Setup time, FSR before CLKR low	CLKR ext	5	ns
			CLKR int	5	
64	$t_h(SCKL-FS)$	Hold time, FSX/R input from CLKX/R low	CLKX/R ext	5	ns
			CLKX/R int	0	
65	$t_{su}(FSX-C)$	Setup time, external FSX before CLKX	CLKX ext	$-[t_{c(H)} - 8]^\dagger$ $[t_{c(SCK)}/2] - 10^\dagger$	ns
			CLKX int	$-[t_{c(H)} - 21]^\dagger$ $t_{c(SCK)}/2^\dagger$	
66	$t_d(CH-DX)V$	Delay time, CLKX to first DX bit, FSX precedes CLKX high	CLKX ext	16	ns
			CLKX int	10	
67	$t_d(FSX-DX)V$	Delay time, FSX to first DX bit, CLKX precedes FSX		16	ns
68	$t_d(CH-DXZ)$	Delay time, CLKX high to DX high impedance following last data bit		10	ns

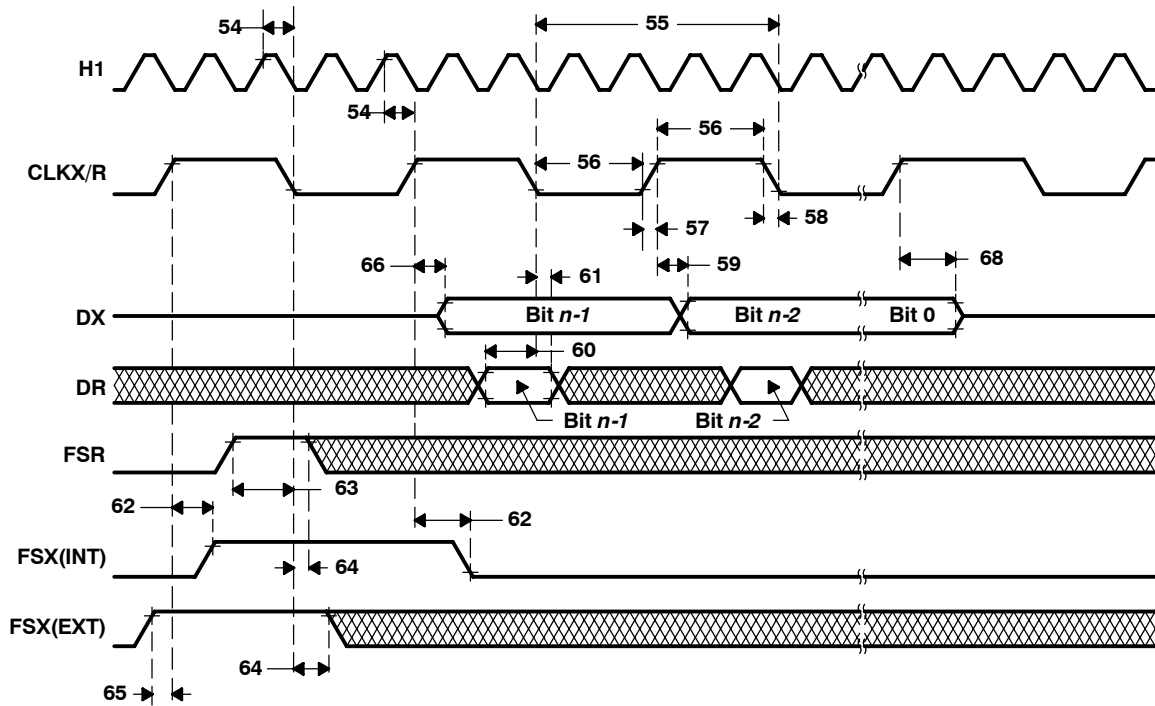
† This value is characterized but not tested



data-rate timing modes

Unless otherwise indicated, the data-rate timings shown in Figure 25 and Figure 26 are valid for all serial-port modes, including handshake. For a functional description of serial-port operation refer to subsection 8.2.12 of the *TMS320C3x User's Guide* (literature number SPRU031).

The serial-port timing parameters for seven 'C3x devices are defined in the preceding "serial-port timing parameters" tables (such as "serial-port timing parameters for TMS320C31-60"). The numbers shown in Figure 25 and Figure 26 correspond with those in the NO. column of each table.



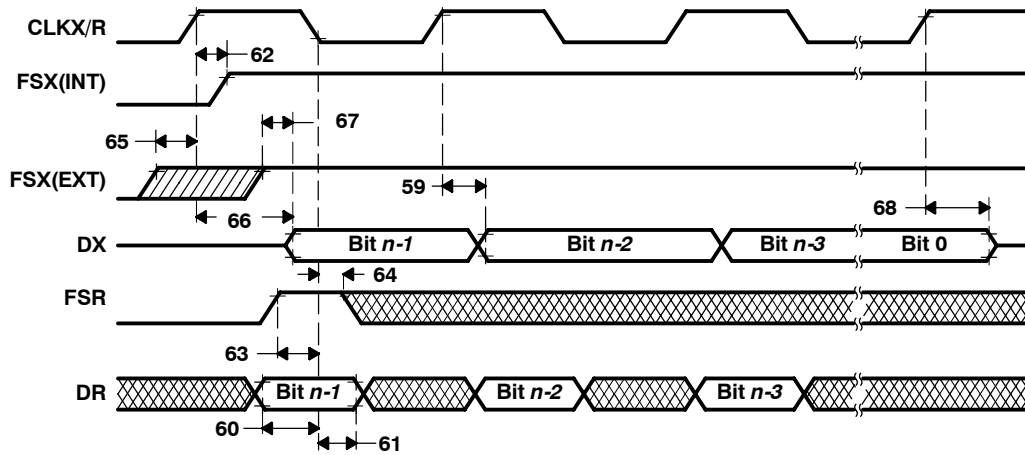
- NOTES: A. Timing diagrams show operations with CLKXP = CLKRP = FSXP = FSRP = 0.
B. Timing diagrams depend on the length of the serial-port word, where n = 8, 16, 24, or 32 bits, respectively.

Figure 25. Timing for Fixed Data-Rate Mode

TMS320C31, TMS320LC31 DIGITAL SIGNAL PROCESSORS

SPRS035B - MARCH 1996 - REVISED JANUARY 1999

data-rate timing modes (continued)



- NOTES: A. Timing diagrams show operation with CLKXP = CLKRP = FSXP = FSRP = 0.
 B. Timing diagrams depend on the length of the serial-port word, where n = 8, 16, 24, or 32 bits, respectively.
 C. The timings that are not specified expressly for the variable data-rate mode are the same as those that are specified for the fixed data-rate mode.

Figure 26. Timing for Variable Data-Rate Mode

HOLD timing

$\overline{\text{HOLD}}$ is an asynchronous input that can be asserted at any time during a clock cycle. If the specified timings are met, the exact sequence shown in Figure 27 occurs; otherwise, an additional delay of one clock cycle is possible.

The table, "timing parameters for $\overline{\text{HOLD}}/\overline{\text{HOLDA}}$ ", defines the timing parameters for the $\overline{\text{HOLD}}$ and $\overline{\text{HOLDA}}$ signals. The numbers shown in Figure 27 correspond with those in the NO. column of the table.

The $\overline{\text{NOHOLD}}$ bit of the primary-bus control register overrides the $\overline{\text{HOLD}}$ signal. When this bit is set, the device comes out of hold and prevents future hold cycles.

Asserting $\overline{\text{HOLD}}$ prevents the processor from accessing the primary bus. Program execution continues until a read from or a write to the primary bus is requested. In certain circumstances, the first write is pending, thus allowing the processor to continue until a second write is encountered.

timing parameters for $\overline{\text{HOLD}}/\overline{\text{HOLDA}}$ (see Figure 27)

NO.		'LC31-33		'C31-40 'LC31-40		'C31-50		'C31-60		'C31-80		UNIT
		MIN	MAX	MIN	MAX	MIN	MAX	MIN	MAX	MIN	MAX	
69	$t_{su}(\overline{\text{HOLD}}-\text{H1L})$	15		13		10		8		5		ns
70	$t_v(\text{H1L}-\overline{\text{HOLDA}})$	0 [†]	10	0 [†]	9	0 [†]	7	0 [†]	6	0 [†]	5	ns
71	$t_w(\overline{\text{HOLD}})$ [‡]		2 $t_{c(H)}$		2 $t_{c(H)}$		2 $t_{c(H)}$		2 $t_{c(H)}$		2 $t_{c(H)}$	ns
72	$t_w(\overline{\text{HOLDA}})$		$t_{cH}-5$ [†]		$t_{cH}-5$ [†]		$t_{cH}-5$ [†]		$t_{cH}-5$ [†]		$t_{cH}-5$ [†]	ns
73	$t_d(\text{H1L}-\text{SHH})$	0 [§]	10	0 [§]	9	0 [§]	7	0 [§]	6	0 [§]	4	ns
74	$t_{dis}(\text{H1L}-\text{S})$	0 [§]	10 [†]	0 [§]	9 [†]	0 [§]	8 [†]	0 [§]	7 [†]	0 [§]	7 [†]	ns
75	$t_{en}(\text{H1L}-\text{S})$	0 [§]	10	0 [§]	9	0 [§]	7	0 [§]	6	0 [§]	6	ns
76	$t_{dis}(\text{H1L}-\text{RW})$	0 [†]	10 [†]	0 [†]	9 [†]	0 [†]	8 [†]	0 [†]	7 [†]	0 [†]	6 [†]	ns
77	$t_{en}(\text{H1L}-\text{RW})$	0 [†]	10	0 [†]	9	0 [†]	7	0 [†]	6	0 [†]	6	ns
78	$t_{dis}(\text{H1L}-\text{A})$	0 [§]	10 [†]	0 [§]	10 [†]	0 [§]	8 [†]	0 [§]	7 [†]	0 [§]	7 [†]	ns
79	$t_{en}(\text{H1L}-\text{A})$	0 [§]	15	0 [§]	13	0 [§]	12	0 [§]	11	0 [§]	10	ns
80	$t_{dis}(\text{H1H}-\text{D})$	0 [§]	10 [†]	0 [§]	9 [†]	0 [§]	8 [†]	0 [§]	7 [†]	0 [§]	6 [†]	ns

[†] This value is characterized but not tested

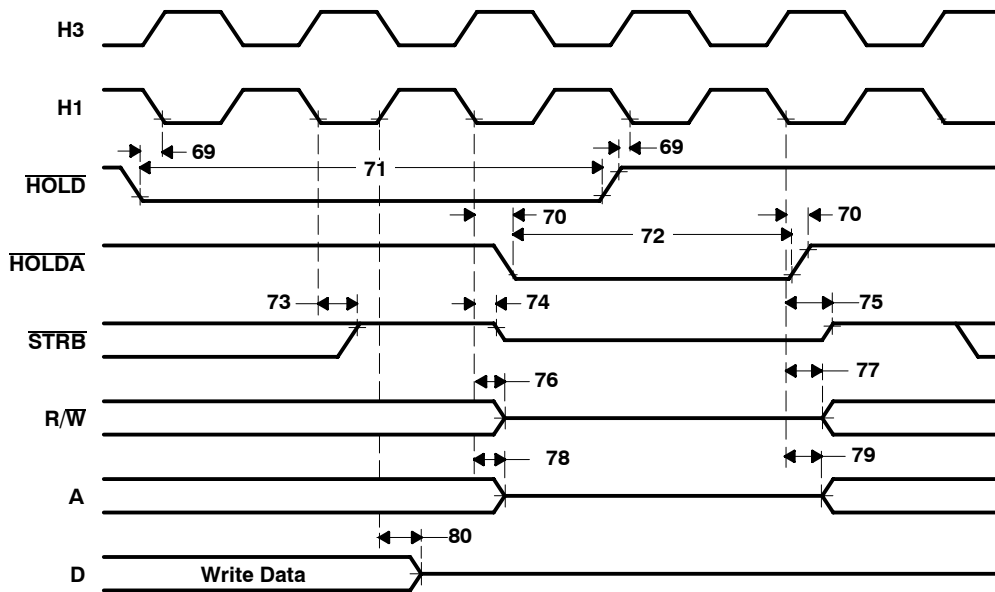
[‡] $\overline{\text{HOLD}}$ is an asynchronous input and can be asserted at any point during a clock cycle. If the specified timings are met, the exact sequence shown in Figure 27 occurs; otherwise, an additional delay of one clock cycle is possible.

[§] Not tested

TMS320C31, TMS320LC31 DIGITAL SIGNAL PROCESSORS

SPRS035B - MARCH 1996 - REVISED JANUARY 1999

HOLD timing (continued)



NOTE A: $\overline{\text{HOLDA}}$ goes low in response to $\overline{\text{HOLD}}$ going low and continues to remain low until one H1 cycle after $\overline{\text{HOLD}}$ goes back high.

Figure 27. Timing for $\overline{\text{HOLD}}/\overline{\text{HOLDA}}$

general-purpose I/O timing

Peripheral pins include CLKX0, CLKR0, DX0, DR0, FSX0, FSR0, and TCLK0/1. The contents of the internal control registers associated with each peripheral define the modes for these pins.

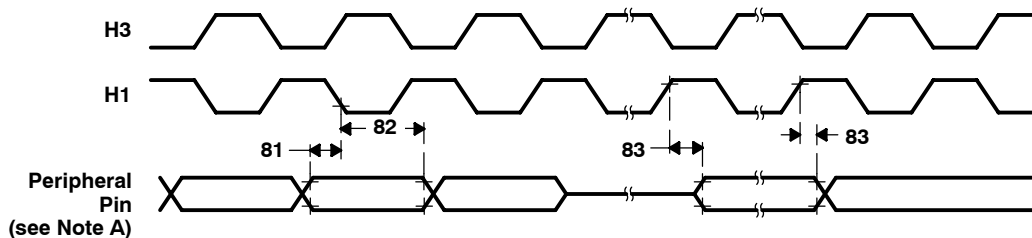
peripheral pin I/O timing

The table, timing parameters for peripheral pin general-purpose I/O, defines peripheral pin general-purpose I/O timing parameters. The numbers shown in Figure 28 correspond with those in the NO. column of the table below.

timing parameters for peripheral pin general-purpose I/O (see Note 8 and Figure 28)

NO.		LC31-33		'C31-40 'LC31-40		'C31-50		'C31-60		'C31-80		UNIT
		MIN	MAX	MIN	MAX	MIN	MAX	MIN	MAX	MIN	MAX	
81	$t_{su(GPIO-H1L)}$ Setup time, general-purpose input before H1 low	12		10		9		8		7		ns
82	$t_{h(H1L-GPIO)}$ Hold time, general-purpose input after H1 low	0		0		0		0		0		ns
83	$t_{d(H1H-GPIO)}$ Delay time, general-purpose output after H1 high		15		13		10		8		6	ns

NOTE 8: Peripheral pins include CLKX0, CLKR0, DX0, DR0, FSX0, FSR0, and TCLK0/1. The modes of these pins are defined by the contents of internal-control registers associated with each peripheral.



NOTE A: Peripheral pins include CLKX0, CLKR0, DX0, DR0, FSX0, FSR0, and TCLK0/1.

Figure 28. Timing for Peripheral Pin General-Purpose I/O

TMS320C31, TMS320LC31 DIGITAL SIGNAL PROCESSORS

SPRS035B - MARCH 1996 - REVISED JANUARY 1999

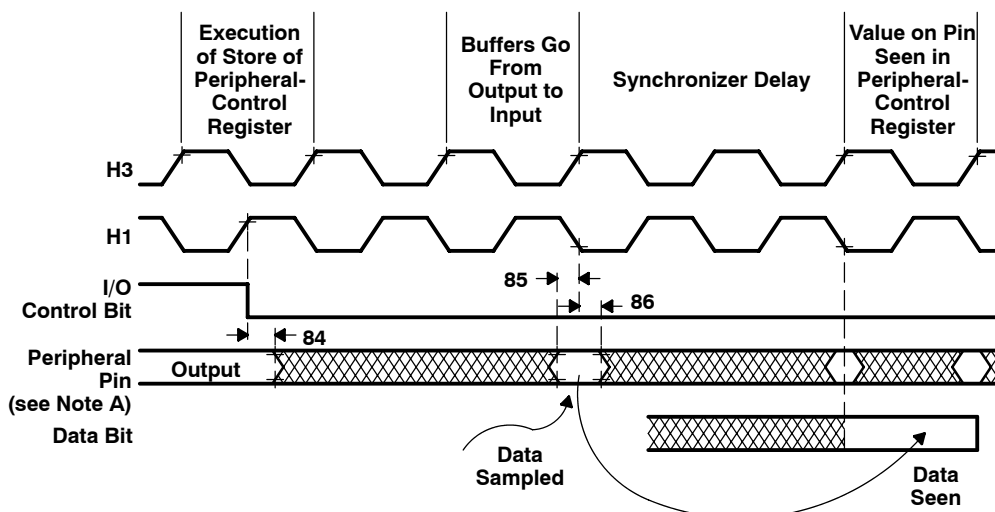
changing the peripheral pin I/O modes

The following tables show the timing parameters for changing the peripheral pin from a general-purpose output pin to a general-purpose input pin and vice versa. The numbers shown in Figure 29 and Figure 30 correspond to those shown in the NO. column of the tables below.

timing parameters for peripheral pin changing from general-purpose output to input mode (see Note 8 and Figure 29)

NO.			'LC31-33		'C31-40 'LC31-40		'C31-50		'C31-60		'C31-80		UNIT
			MIN	MAX	MIN	MAX	MIN	MAX	MIN	MAX	MIN	MAX	
84	$t_{h(H1H)}$	Hold time, peripheral pin after H1 high		15		13		10		8		6	ns
85	$t_{su(GPIO-H1L)}$	Setup time, peripheral pin before H1 low	10		9		9		8		7		ns
86	$t_{h(H1L-GPIO)}$	Hold time, peripheral pin after H1 low	0		0		0		0		0		ns

NOTE 8: Peripheral pins include CLKX0, CLKR0, DX0, DR0, FSX0, FSR0, and TCLK0/1. The modes of these pins are defined by the contents of internal-control registers associated with each peripheral.



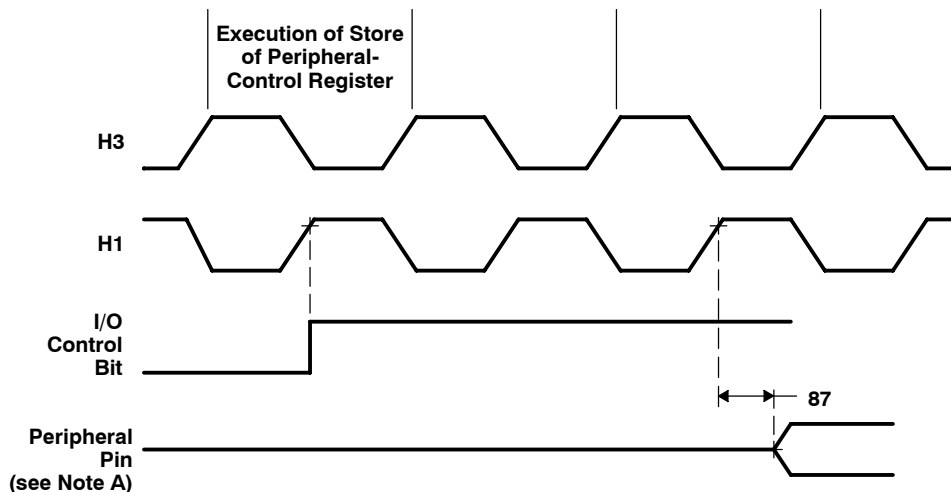
NOTE A: Peripheral pins include CLKX0, CLKR0, DX0, DR0, FSX0, FSR0, and TCLK0/1.

Figure 29. Timing for Change of Peripheral Pin From General-Purpose Output to Input Mode

timing parameters for peripheral pin changing from general-purpose input to output mode
(see Note 8 and Figure 30)

NO.		'LC31-33		'C31-40 'LC31-40		'C31-50		'C31-60		'C31-80		UNIT
		MIN	MAX	MIN	MAX	MIN	MAX	MIN	MAX	MIN	MAX	
87	$t_{d(H1H-GPIO)}$ Delay time, H1 high to peripheral pin switching from input to output		15		13		10		8		6	ns

NOTE 8: Peripheral pins include CLKX0, CLKR0, DX0, DR0, FSX0, FSR0, and TCLK0/1. The modes of these pins are defined by the contents of internal-control registers associated with each peripheral.



NOTE A: Peripheral pins include CLKX0, CLKR0, DX0, DR0, FSX0, FSR0, and TCLK0/1.

Figure 30. Timing for Change of Peripheral Pin From General-Purpose Input to Output Mode

timer pin timing

Valid logic-level periods and polarity are specified by the contents of the internal control registers.

The following tables define the timing parameters for the timer pin. The numbers shown in Figure 31 correspond with those in the NO. column of the tables below.

timing parameters for timer pin for TMS320LC31-33 (see Figure 31) †

NO.	DESCRIPTION#	'LC31-33		UNIT
		MIN	MAX	
88	$t_{su}(TCLK-H1L)$ Setup time, TCLK external before H1 low	12		ns
89	$t_h(H1L-TCLK)$ Hold time, TCLK external after H1 low	0		ns
90	$t_d(H1H-TCLK)$ Delay time, H1 high to TCLK internal valid		10	ns
91	Cycle time, TCLK	$t_c(H) \times 2.6$		ns
		$t_c(H) \times 2$	$t_c(H) \times 2.6$	
92	Pulse duration, TCLK high/low	$t_c(H) + 12$	$t_c(H) \times 2.6$	ns
		$t_c(H) + 10$	$t_c(H) \times 2$	
		$[t_c(TCLK)/2] - 15$	$[t_c(TCLK)/2] + 5$	

† Timing parameters 88 and 89 are applicable for a synchronous input clock. Timing parameters 91 and 92 are applicable for an asynchronous input clock.

Specified by design but not tested

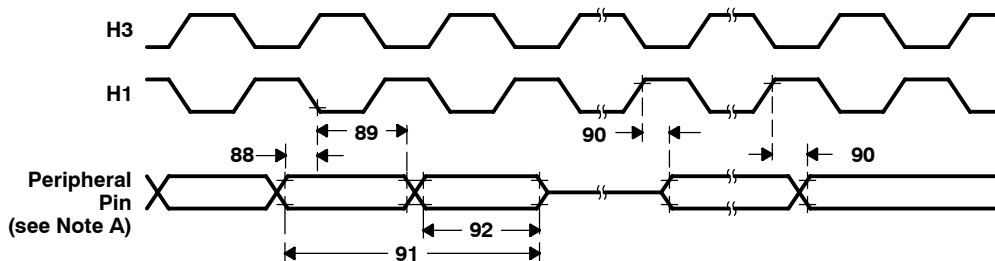
timing parameters for timer pin for TMS320LC31-40, TMS320C31-50, and TMS320C31-60 (see Figure 31) †

NO.	DESCRIPTION#	'C31-50		'C31-60		UNIT
		MIN	MAX	MIN	MAX	
88	$t_{su}(TCLK-H1L)$ Setup time, TCLK external before H1 low	8		6		ns
89	$t_h(H1L-TCLK)$ Hold time, TCLK external after H1 low	0		0		ns
90	Delay time, H1 high to TCLK internal valid		9		8	ns
		$t_c(H) \times 2.6$		$t_c(H) \times 2.6$		
91	TCLK ext	$t_c(H) \times 2$	$t_c(H) \times 2.6$	$t_c(H) \times 2$	$t_c(H) \times 2.6$	ns
		$t_c(H) + 10$		$t_c(H) + 10$		
		$[t_c(TCLK)/2] - 5$	$[t_c(TCLK)/2] + 5$	$[t_c(TCLK)/2] - 5$	$[t_c(TCLK)/2] + 5$	
92	TCLK int	$t_c(H) + 10$		$t_c(H) + 6$		ns
		$[t_c(TCLK)/2] - 5$	$[t_c(TCLK)/2] + 5$	$[t_c(TCLK)/2] - 5$	$[t_c(TCLK)/2] + 5$	

† Timing parameters 88 and 89 are applicable for a synchronous input clock. Timing parameters 91 and 92 are applicable for an asynchronous input clock.

Specified by design but not tested

timer pin timing (continued)



NOTE A: \overline{HOLDA} goes low in response to \overline{HOLD} going low and continues to remain low until one H1 cycle after \overline{HOLD} goes back high.

Figure 31. Timing for Timer Pin

\overline{SHZ} pin timing

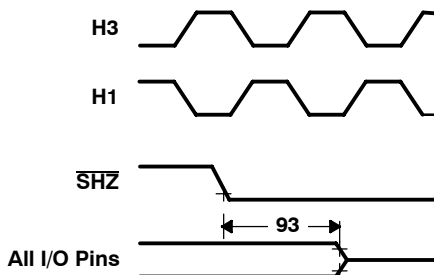
The following table defines the timing parameter for the \overline{SHZ} pin. The number shown in Figure 32 corresponds with that in the NO. column of the table below.

timing parameters for \overline{SHZ} (see Figure 32)

NO.		'C31 'LC31		UNIT
		MIN	MAX	
93	$t_{dis(SHZ)}$ Disable time, \overline{SHZ} low to all O, I/O pins disabled (high impedance)	0 [†]	2P [‡]	ns

[†] This value is characterized but not tested

[‡] P = $t_c(CI)$



NOTE A: Enabling \overline{SHZ} destroys TMS320C3x register and memory contents. Assert $\overline{SHZ} = 1$ and reset the TMS320C3x to restore it to a known condition.

Figure 32. Timing for \overline{SHZ}

TMS320C31, TMS320LC31 DIGITAL SIGNAL PROCESSORS

SPRS035B - MARCH 1996 - REVISED JANUARY 1999

SHZ pin timing (continued)

Table 1. Thermal Resistance Characteristics

PARAMETER	°C/W	AIR FLOW LFPM
$R_{\theta JC}^{\dagger}$	11.0	N/A
$R_{\theta JA}^{\ddagger}$	49.0	0
$R_{\theta JA}^{\ddagger}$	35.5	200
$R_{\theta JA}^{\ddagger}$	28.0	400
$R_{\theta JA}^{\ddagger}$	23.5	600
$R_{\theta JA}^{\ddagger}$	21.6	800
$R_{\theta JA}^{\ddagger}$	20.0	1000

$\dagger R_{\theta SC}$ = junction-to-case

$\ddagger R_{\theta JA}$ = junction-to-free air

MECHANICAL DATA

The following packaging information and addendum reflect the most current data available for the designated device(s). This data is subject to change without notice and without revision of this document.

PACKAGING INFORMATION

Orderable Device	Status (1)	Package Type	Package Drawing	Pins	Package Qty	Eco Plan (2)	Lead/Ball Finish (6)	MSL Peak Temp (3)	Op Temp (°C)	Device Marking (4/5)	Samples
TMS320C31PQA40	OBSOLETE	BQFP	PQ	132		Green (RoHS & no Sb/Br)	CU NIPDAU	Level-4-260C-72 HR	-40 to 125	@1991 TI TMS320C31PQA40	
TMS320C31PQA50	OBSOLETE	BQFP	PQ	132		Green (RoHS & no Sb/Br)	CU NIPDAU	Level-4-260C-72 HR	-40 to 125	@1991 TI TMS320C31PQA50	
TMS320C31PQL40	OBSOLETE	BQFP	PQ	132		Green (RoHS & no Sb/Br)	CU NIPDAU	Level-4-260C-72 HR	0 to 85	@1991 TI TMS320C31PQL40	
TMS320C31PQL50	OBSOLETE	BQFP	PQ	132		Green (RoHS & no Sb/Br)	CU NIPDAU	Level-4-260C-72 HR	0 to 85	@1991 TI TMS320C31PQL50	
TMS320C31PQL60	OBSOLETE	BQFP	PQ	132		Green (RoHS & no Sb/Br)	CU NIPDAU	Level-4-260C-72 HR	0 to 85	@1991 TI TMS320C31PQL60	
TMS320C31PQL80	OBSOLETE	BQFP	PQ	132		Green (RoHS & no Sb/Br)	CU NIPDAU	Level-4-260C-72 HR	0 to 85	@1991 TI TMS320C31PQL80	
TMS320LC31PQ40	OBSOLETE	BQFP	PQ	132		Green (RoHS & no Sb/Br)	CU NIPDAU	Level-4-260C-72 HR	0 to 85	@1991 TI TMS320LC31PQ40	

(1) The marketing status values are defined as follows:

ACTIVE: Product device recommended for new designs.

LIFEBUY: TI has announced that the device will be discontinued, and a lifetime-buy period is in effect.

NRND: Not recommended for new designs. Device is in production to support existing customers, but TI does not recommend using this part in a new design.

PREVIEW: Device has been announced but is not in production. Samples may or may not be available.

OBSOLETE: TI has discontinued the production of the device.

(2) Eco Plan - The planned eco-friendly classification: Pb-Free (RoHS), Pb-Free (RoHS Exempt), or Green (RoHS & no Sb/Br) - please check <http://www.ti.com/productcontent> for the latest availability information and additional product content details.

TBD: The Pb-Free/Green conversion plan has not been defined.

Pb-Free (RoHS): TI's terms "Lead-Free" or "Pb-Free" mean semiconductor products that are compatible with the current RoHS requirements for all 6 substances, including the requirement that lead not exceed 0.1% by weight in homogeneous materials. Where designed to be soldered at high temperatures, TI Pb-Free products are suitable for use in specified lead-free processes.

Pb-Free (RoHS Exempt): This component has a RoHS exemption for either 1) lead-based flip-chip solder bumps used between the die and package, or 2) lead-based die adhesive used between the die and leadframe. The component is otherwise considered Pb-Free (RoHS compatible) as defined above.

Green (RoHS & no Sb/Br): TI defines "Green" to mean Pb-Free (RoHS compatible), and free of Bromine (Br) and Antimony (Sb) based flame retardants (Br or Sb do not exceed 0.1% by weight in homogeneous material)

(3) MSL, Peak Temp. - The Moisture Sensitivity Level rating according to the JEDEC industry standard classifications, and peak solder temperature.

(4) There may be additional marking, which relates to the logo, the lot trace code information, or the environmental category on the device.

(5) Multiple Device Markings will be inside parentheses. Only one Device Marking contained in parentheses and separated by a "--" will appear on a device. If a line is indented then it is a continuation of the previous line and the two combined represent the entire Device Marking for that device.

(6) Lead/Ball Finish - Orderable Devices may have multiple material finish options. Finish options are separated by a vertical ruled line. Lead/Ball Finish values may wrap to two lines if the finish value exceeds the maximum column width.

Important Information and Disclaimer:The information provided on this page represents TI's knowledge and belief as of the date that it is provided. TI bases its knowledge and belief on information provided by third parties, and makes no representation or warranty as to the accuracy of such information. Efforts are underway to better integrate information from third parties. TI has taken and continues to take reasonable steps to provide representative and accurate information but may not have conducted destructive testing or chemical analysis on incoming materials and chemicals. TI and TI suppliers consider certain information to be proprietary, and thus CAS numbers and other limited information may not be available for release.

In no event shall TI's liability arising out of such information exceed the total purchase price of the TI part(s) at issue in this document sold by TI to Customer on an annual basis.

OTHER QUALIFIED VERSIONS OF TMS320C31, TMS320LC31 :

- Catalog: [SM320C31](#)

- Enhanced Product: [SM320LC31-EP](#)

- Military: [SMJ320C31](#)

NOTE: Qualified Version Definitions:

- Catalog - TI's standard catalog product

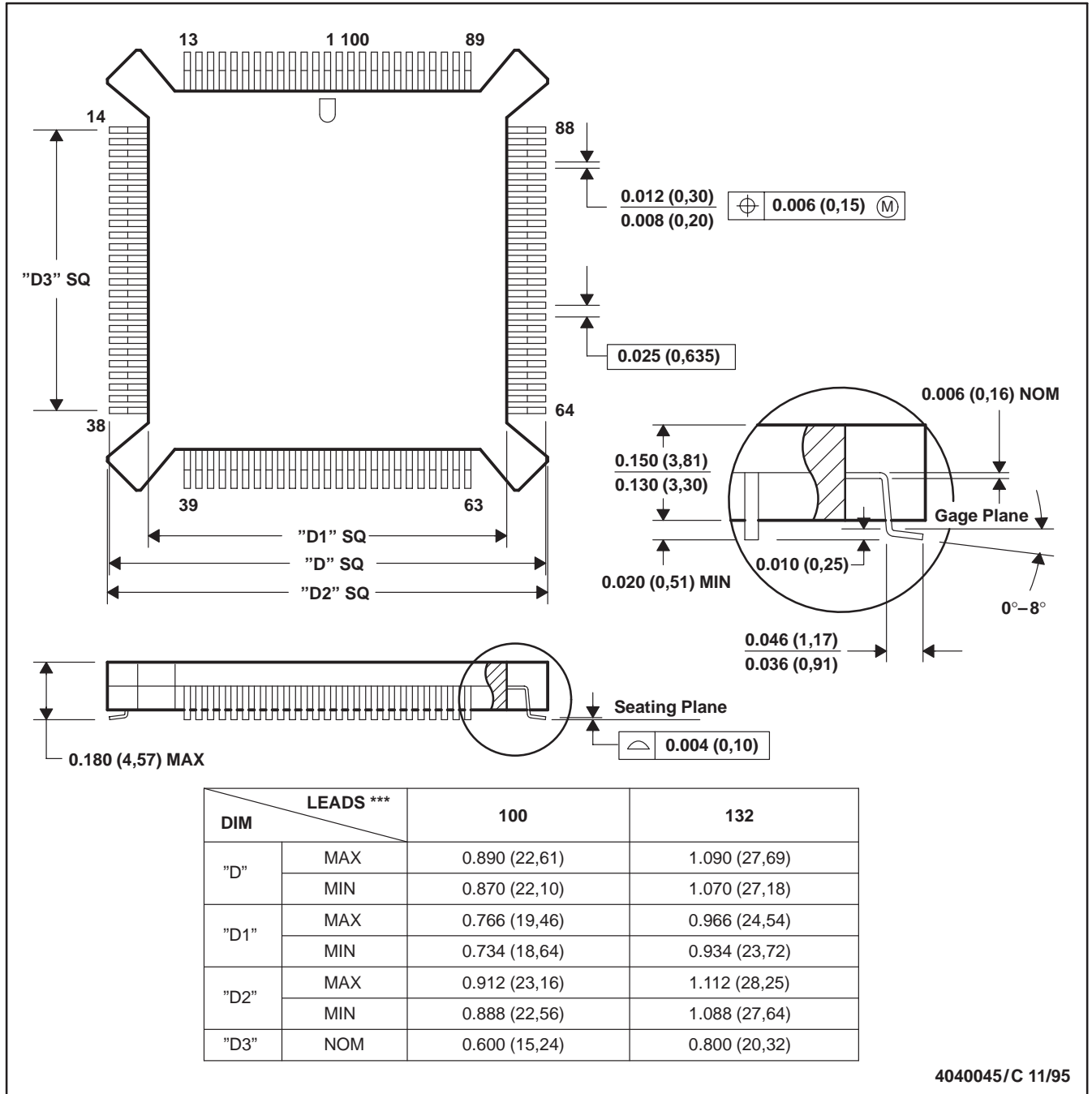
- Enhanced Product - Supports Defense, Aerospace and Medical Applications

- Military - QML certified for Military and Defense Applications

PQ (S-PQFP-G^{***})

PLASTIC QUAD FLATPACK

100 LEAD SHOWN



- NOTES: A. All linear dimensions are in inches (millimeters).
 B. This drawing is subject to change without notice.
 C. Falls within JEDEC MO-069

IMPORTANT NOTICE

Texas Instruments Incorporated and its subsidiaries (TI) reserve the right to make corrections, enhancements, improvements and other changes to its semiconductor products and services per JESD46, latest issue, and to discontinue any product or service per JESD48, latest issue. Buyers should obtain the latest relevant information before placing orders and should verify that such information is current and complete. All semiconductor products (also referred to herein as "components") are sold subject to TI's terms and conditions of sale supplied at the time of order acknowledgment.

TI warrants performance of its components to the specifications applicable at the time of sale, in accordance with the warranty in TI's terms and conditions of sale of semiconductor products. Testing and other quality control techniques are used to the extent TI deems necessary to support this warranty. Except where mandated by applicable law, testing of all parameters of each component is not necessarily performed.

TI assumes no liability for applications assistance or the design of Buyers' products. Buyers are responsible for their products and applications using TI components. To minimize the risks associated with Buyers' products and applications, Buyers should provide adequate design and operating safeguards.

TI does not warrant or represent that any license, either express or implied, is granted under any patent right, copyright, mask work right, or other intellectual property right relating to any combination, machine, or process in which TI components or services are used. Information published by TI regarding third-party products or services does not constitute a license to use such products or services or a warranty or endorsement thereof. Use of such information may require a license from a third party under the patents or other intellectual property of the third party, or a license from TI under the patents or other intellectual property of TI.

Reproduction of significant portions of TI information in TI data books or data sheets is permissible only if reproduction is without alteration and is accompanied by all associated warranties, conditions, limitations, and notices. TI is not responsible or liable for such altered documentation. Information of third parties may be subject to additional restrictions.

Resale of TI components or services with statements different from or beyond the parameters stated by TI for that component or service voids all express and any implied warranties for the associated TI component or service and is an unfair and deceptive business practice. TI is not responsible or liable for any such statements.

Buyer acknowledges and agrees that it is solely responsible for compliance with all legal, regulatory and safety-related requirements concerning its products, and any use of TI components in its applications, notwithstanding any applications-related information or support that may be provided by TI. Buyer represents and agrees that it has all the necessary expertise to create and implement safeguards which anticipate dangerous consequences of failures, monitor failures and their consequences, lessen the likelihood of failures that might cause harm and take appropriate remedial actions. Buyer will fully indemnify TI and its representatives against any damages arising out of the use of any TI components in safety-critical applications.

In some cases, TI components may be promoted specifically to facilitate safety-related applications. With such components, TI's goal is to help enable customers to design and create their own end-product solutions that meet applicable functional safety standards and requirements. Nonetheless, such components are subject to these terms.

No TI components are authorized for use in FDA Class III (or similar life-critical medical equipment) unless authorized officers of the parties have executed a special agreement specifically governing such use.

Only those TI components which TI has specifically designated as military grade or "enhanced plastic" are designed and intended for use in military/aerospace applications or environments. Buyer acknowledges and agrees that any military or aerospace use of TI components which have **not** been so designated is solely at the Buyer's risk, and that Buyer is solely responsible for compliance with all legal and regulatory requirements in connection with such use.

TI has specifically designated certain components as meeting ISO/TS16949 requirements, mainly for automotive use. In any case of use of non-designated products, TI will not be responsible for any failure to meet ISO/TS16949.

Products

Audio	www.ti.com/audio
Amplifiers	amplifier.ti.com
Data Converters	dataconverter.ti.com
DLP® Products	www.dlp.com
DSP	dsp.ti.com
Clocks and Timers	www.ti.com/clocks
Interface	interface.ti.com
Logic	logic.ti.com
Power Mgmt	power.ti.com
Microcontrollers	microcontroller.ti.com
RFID	www.ti-rfid.com
OMAP Applications Processors	www.ti.com/omap
Wireless Connectivity	www.ti.com/wirelessconnectivity

Applications

Automotive and Transportation	www.ti.com/automotive
Communications and Telecom	www.ti.com/communications
Computers and Peripherals	www.ti.com/computers
Consumer Electronics	www.ti.com/consumer-apps
Energy and Lighting	www.ti.com/energy
Industrial	www.ti.com/industrial
Medical	www.ti.com/medical
Security	www.ti.com/security
Space, Avionics and Defense	www.ti.com/space-avionics-defense
Video and Imaging	www.ti.com/video

TI E2E Community

e2e.ti.com