

TLV170x 2.2-V to 36-V, microPower Comparator

1 Features

- Supply Range:
+2.2 V to +36 V or ± 1.1 V to ± 18 V
- Low Quiescent Current:
55 μ A per Comparator
- Input Common-Mode Range Includes Both Rails
- Low Propagation Delay: 560 ns
- Low Input Offset Voltage: 300 μ V
- Open Collector Outputs:
 - Up to 36 V Above Negative Supply Regardless of Supply Voltage
- Industrial Temperature Range:
–40°C to +125°C
- Small Packages:
 - Single: SC70-5, SOT-23-5, SOT553-5
 - Dual: VSSOP-8, X2QFN-8
 - Quad: TSSOP-14

2 Applications

- Overvoltage and Undervoltage Detectors
- Window Comparators
- Overcurrent Detectors
- Zero-Crossing Detectors
- System Monitoring for:
 - Power Supplies
 - White Goods
 - Industrial Sensors
 - Automotive
 - Medical

3 Description

The TLV170x family of devices offers a wide supply range, rail-to-rail inputs, low quiescent current, and low propagation delay. All these features come in industry-standard, extremely-small packages, making these devices the best general-purpose comparators available.

The open collector output offers the advantage of allowing the output to be pulled to any voltage rail up to +36 V above the negative power supply, regardless of the TLV170x supply voltage.

These devices are available in single (TLV1701), dual (TLV1702), and quad (TLV1704) channel versions. Low input offset voltage, low input bias currents, low supply current, and open-collector configuration make the TLV170x family flexible enough to handle almost any application, from simple voltage detection to driving a single relay.

All devices are specified for operation across the expanded industrial temperature range of –40°C to +125°C.

Device Information⁽¹⁾

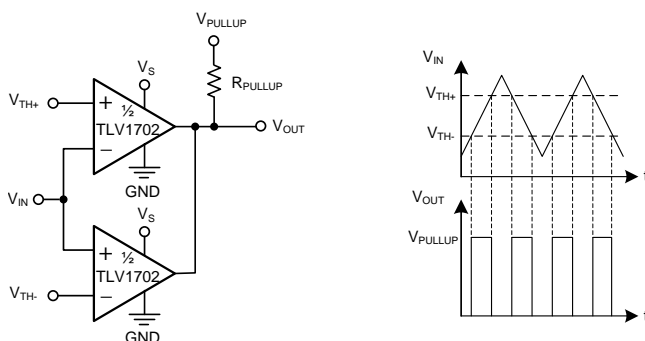
| PART NUMBER | PACKAGE | BODY SIZE (NOM) |
|------------------------|--------------------------|-------------------|
| TLV1701 | SOT553 (5) | 1.20 mm x 1.60 mm |
| | SC-70 (5) | 1.25 mm x 2.00 mm |
| | SOT-23 (5) | 1.60 mm x 2.90 mm |
| TLV1702 ⁽²⁾ | X2QFN (8) | 1.50 mm x 1.50 mm |
| | VSSOP (8) ⁽³⁾ | 3.00 mm x 3.00 mm |
| TLV1704 | TSSOP (14) | 4.40 mm x 5.00 mm |

(1) For all available packages, see the package option addendum at the end of the datasheet.

(2) TLV1702 RUG (X2QFN) package is product preview.

(3) The VSSOP package is the same as the MSOP package.

TLV1702 as a Window Comparator



Stable Propagation Delay vs Temperature

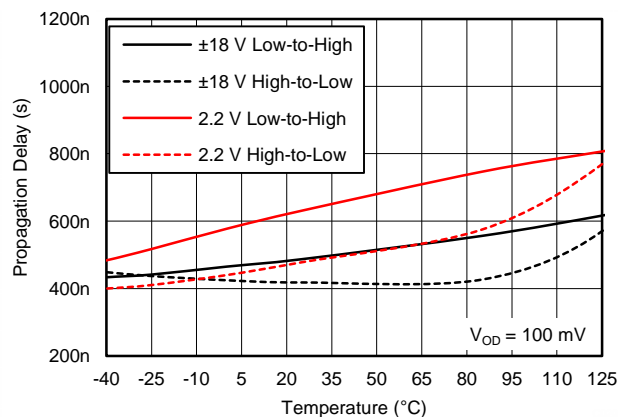


Table of Contents

| | | | |
|--|-----------|--|-----------|
| 1 Features | 1 | 8.2 Functional Block Diagram | 11 |
| 2 Applications | 1 | 8.3 Feature Description | 12 |
| 3 Description | 1 | 8.4 Device Functional Modes | 12 |
| 4 Revision History | 2 | 9 Applications and Implementation | 13 |
| 5 Device Comparison | 4 | 9.1 Application Information | 13 |
| 6 Pin Configuration and Functions | 5 | 9.2 Typical Application | 13 |
| 7 Specifications | 6 | 10 Power Supply Recommendations | 14 |
| 7.1 Absolute Maximum Ratings | 6 | 11 Layout | 15 |
| 7.2 ESD Ratings | 6 | 11.1 Layout Guidelines | 15 |
| 7.3 Recommended Operating Conditions | 6 | 11.2 Layout Example | 15 |
| 7.4 Thermal Information: TLV1701 | 6 | 12 Device and Documentation Support | 16 |
| 7.5 Thermal Information: TLV1702 and TLV1704 | 7 | 12.1 Documentation Support | 16 |
| 7.6 Electrical Characteristics | 7 | 12.2 Related Links | 16 |
| 7.7 Switching Characteristics | 7 | 12.3 Trademarks | 16 |
| 7.8 Typical Characteristics | 8 | 12.4 Electrostatic Discharge Caution | 16 |
| 8 Detailed Description | 11 | 12.5 Glossary | 16 |
| 8.1 Overview | 11 | 13 Mechanical, Packaging, and Orderable Information | 16 |

4 Revision History

NOTE: Page numbers for previous revisions may differ from page numbers in the current version.

| Changes from Revision B (October 2014) to Revision C | Page |
|--|-------------|
| • Changed TLV1701 DCK package from preview to production data | 1 |
| • Changed Handling Ratings table to ESD Ratings table, and moved storage temperature to Absolute Maximum Ratings table | 6 |

| Changes from Revision A (September 2014) to Revision B | Page |
|--|-------------|
| • Changed footnote 2 in Device Information table: added TLV1701 to list of available devices | 1 |
| • Added TLV1701 to list of production data packages in footnote for the <i>Pin Configuration and Functions</i> section | 5 |
| • Added TLV1701 row to $V_{(ESD)}$ parameter in Handling Ratings table | 6 |

Changes from Original (December 2013) to Revision A
Page

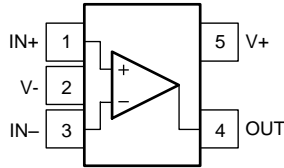
| | |
|--|----|
| • Changed document format to latest data sheet standards; added new sections and moved existing sections | 1 |
| • Changed TLV1704 PW (TSSOP-14) package from preview to production data | 1 |
| • Added sub-bullet to the Open Collector Outputs feature | 1 |
| • Added second paragraph to the <i>Description</i> section..... | 1 |
| • Deleted package information from <i>Description</i> section; redundant information | 1 |
| • Changed Related Products table to Device Comparison table, moved from page 1, and added TLV370x family..... | 4 |
| • Added TLV1701, TLV1702 RUG, and TLV704 package drawings | 5 |
| • Added thermal information for TLV1702 RUG, TLV1704 PW, and all TLV1701 packages | 6 |
| • Moved switching characteristics parameters from Electrical Characteristics table to new <i>Switching Characteristics</i> table.. | 7 |
| • Changed all typical values in <i>Switching Characteristics</i> table..... | 7 |
| • Changed title for <i>Figure 1</i> | 8 |
| • Changed <i>Figure 8</i> | 8 |
| • Changed <i>Figure 9</i> | 8 |
| • Changed <i>Figure 10</i> | 8 |
| • Changed <i>Figure 11</i> | 8 |
| • Changed <i>Figure 12</i> | 8 |
| • Changed <i>Figure 13</i> | 9 |
| • Changed <i>Figure 14</i> | 9 |
| • Changed <i>Application Information</i> and moved section | 13 |
| • Deleted <i>Application Examples</i> section | 13 |

5 Device Comparison

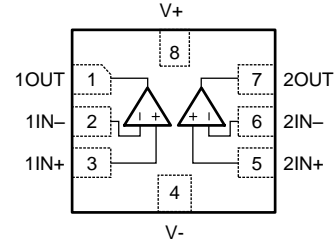
| DEVICE | FEATURES |
|-------------------------|--|
| TLV3201 | 40-ns, 40- μ A, push-pull comparator |
| TLV3202 | |
| TLV3501 | 4.5-ns, rail-to-rail, push-pull, high-speed comparator |
| TLV3502 | |
| TLV3401 | Nanopower open-drain output comparator |
| TLV3402 | |
| TLV3404 | |
| TLV3701 | Nanopower push-pull output comparator |
| TLV3702 | |
| TLV3704 | |
| REF3325 | 3.9- μ A, SC70-3 voltage reference |
| REF3330 | |
| REF3333 | |

6 Pin Configuration and Functions

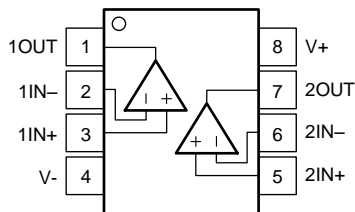
TLV1701
 DBV (SOT-23-5), DCK (SC70-5), DRL (SOT553-5) Packages
 (Top View)



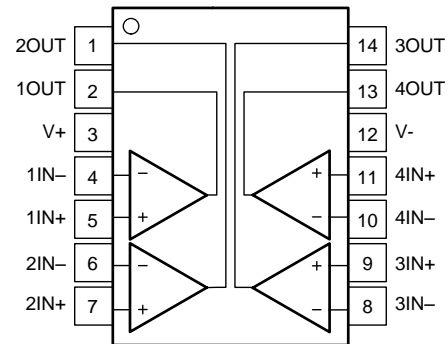
TLV1702⁽¹⁾
 RUG (X2QFN-8) Package
 (Top View)



TLV1702
 DGK (VSSOP-8) Package
 (Top View)



TLV1704
 PW (TSSOP-14) Package
 (Top View)



(1) TLV1702 RUG (X2QFN) package is product preview.

Pin Functions

| NAME | PIN | | | I/O | DESCRIPTION |
|------|--------------------------|---------------------|---------------|-----|---------------------------------|
| | TLV1701 DBV, DCK, DRL | TLV1702 DGK, RUG | TLV1704 PW | | |
| IN+ | 1 | - | - | I | Noninverting input |
| 1IN+ | - | 3 | 5 | I | Noninverting input, channel 1 |
| 2IN+ | - | 5 | 7 | I | Noninverting input, channel 2 |
| 3IN+ | - | - | 9 | I | Noninverting input, channel 3 |
| 4IN+ | - | - | 11 | I | Noninverting input, channel 4 |
| IN- | 3 | - | - | I | Inverting input |
| 1IN- | - | 2 | 4 | I | Inverting input, channel 1 |
| 2IN- | - | 6 | 6 | I | Inverting input, channel 2 |
| 3IN- | - | - | 8 | I | Inverting input, channel 3 |
| 4IN- | - | - | 10 | I | Inverting input, channel 4 |
| OUT | 4 | - | - | O | Output |
| 1OUT | - | 1 | 2 | O | Output, channel 1 |
| 2OUT | - | 7 | 1 | O | Output, channel 2 |
| 3OUT | - | - | 14 | O | Output, channel 3 |
| 4OUT | - | - | 13 | O | Output, channel 4 |
| V+ | 5 | 8 | 3 | - | Positive (highest) power supply |
| V- | 2 | 4 | 12 | - | Negative (lowest) power supply |

7 Specifications

7.1 Absolute Maximum Ratings⁽¹⁾

over operating free-air temperature range (unless otherwise noted)

| | | MIN | MAX | UNIT |
|-------------------------------------|------------------------|------------------|------------------|------|
| Supply voltage | | +40 (±20) | | V |
| Signal input pins | Voltage ⁽²⁾ | $(V_{S-}) - 0.5$ | $(V_{S+}) + 0.5$ | V |
| | Current ⁽²⁾ | ±10 | | mA |
| Output short-circuit ⁽³⁾ | | Continuous | | mA |
| Operating temperature range | | -55 | +150 | °C |
| Junction temperature, T_J | | 150 | | °C |
| Storage temperature, T_{stg} | | -65 | +150 | °C |

- Stresses beyond those listed under absolute maximum ratings may cause permanent damage to the device. These are stress ratings only, and functional operation of the device at these or any other conditions beyond those indicated under recommended operating conditions is not implied. Exposure to absolute-maximum-rated conditions for extended periods may affect device reliability.
- Input pins are diode-clamped to the power-supply rails. Input signals that can swing more than 0.5 V beyond the supply rails should be current limited to 10 mA or less.
- Short-circuit to ground; one comparator per package.

7.2 ESD Ratings

| | | | VALUE | UNIT |
|---------------------|-------------------------|--|-------|------|
| TLV1701 and TLV1702 | | | | |
| $V_{(ESD)}$ | Electrostatic discharge | Human-body model (HBM), per ANSI/ESDA/JEDEC JS-001 ⁽¹⁾ | ±2000 | V |
| | | Charged-device model (CDM), per JEDEC specification JESD22-C101 ⁽²⁾ | ±1500 | |
| TLV1704 | | | | |
| $V_{(ESD)}$ | Electrostatic discharge | Human-body model (HBM), per ANSI/ESDA/JEDEC JS-001 ⁽¹⁾ | ±1000 | V |
| | | Charged-device model (CDM), per JEDEC specification JESD22-C101 ⁽²⁾ | ±1500 | |

- JEDEC document JEP155 states that 500-V HBM allows safe manufacturing with a standard ESD control process.
- JEDEC document JEP157 states that 250-V CDM allows safe manufacturing with a standard ESD control process.

7.3 Recommended Operating Conditions

over operating free-air temperature range (unless otherwise noted)

| | MIN | NOM | MAX | UNIT |
|--|------------|-----|----------|------|
| Supply voltage $V_S = (V_{S+}) - (V_{S-})$ | 2.2 (±1.1) | | 36 (±18) | V |
| Specified temperature | -40 | | 125 | °C |

7.4 Thermal Information: TLV1701

| THERMAL METRIC ⁽¹⁾ | TLV1701 | | | UNIT |
|---|--------------|------------|-------------|------|
| | DRL (SOT553) | DCK (SC70) | DBV (SOT23) | |
| | 5 PINS | 5 PINS | 5 PINS | |
| $R_{\theta JA}$ Junction-to-ambient thermal resistance | 271.5 | 283.6 | 233.1 | °C/W |
| $R_{\theta JC(top)}$ Junction-to-case (top) thermal resistance | 115.6 | 94.1 | 156.4 | |
| $R_{\theta JB}$ Junction-to-board thermal resistance | 89.7 | 61.3 | 60.6 | |
| ψ_{JT} Junction-to-top characterization parameter | 17.6 | 1.9 | 35.7 | |
| ψ_{JB} Junction-to-board characterization parameter | 89.2 | 60.5 | 59.7 | |
| $R_{\theta JC(bot)}$ Junction-to-case (bottom) thermal resistance | N/A | N/A | N/A | |

- For more information about traditional and new thermal metrics, see the *IC Package Thermal Metrics* application report, [SPRA953](#).

7.5 Thermal Information: TLV1702 and TLV1704

| THERMAL METRIC ⁽¹⁾ | | TLV1702 | | TLV1704 | UNIT |
|-------------------------------|--|-----------|-------------|------------|------|
| | | RUG (QFN) | DGK (VSSOP) | PW (TSSOP) | |
| | | 8 PINS | 8 PINS | 14 PINS | |
| θ_{JA} | Junction-to-ambient thermal resistance | 205.6 | 199 | 128.1 | °C/W |
| θ_{JCTop} | Junction-to-case (top) thermal resistance | 77.1 | 89.5 | 56.5 | |
| θ_{JB} | Junction-to-board thermal resistance | 107.0 | 120.4 | 69.9 | |
| ψ_{JT} | Junction-to-top characterization parameter | 2.0 | 22.0 | 9.1 | |
| ψ_{JB} | Junction-to-board characterization parameter | 107.0 | 118.7 | 69.3 | |
| θ_{JCbott} | Junction-to-case (bottom) thermal resistance | N/A | N/A | N/A | |

(1) For more information about traditional and new thermal metrics, see the *IC Package Thermal Metrics* application report, [SPRA953](#).

7.6 Electrical Characteristics

at $T_A = +25^\circ\text{C}$, $V_S = +2.2\text{ V to }+36\text{ V}$, $C_L = 15\text{ pF}$, $R_{PULLUP} = 5.1\text{ k}\Omega$, $V_{CM} = V_S / 2$ and $V_S = V_{PULLUP}$ (unless otherwise noted)

| PARAMETER | TEST CONDITIONS | MIN | TYP | MAX | UNIT | |
|----------------------------|---------------------------------|--|-----|-----------|-----------|------------------------------|
| OFFSET VOLTAGE | | | | | | |
| V_{OS} | Input offset voltage | $T_A = 25^\circ\text{C}$, $V_S = 2.2\text{ V}$ | | ± 0.5 | ± 3.5 | mV |
| | | $T_A = 25^\circ\text{C}$, $V_S = 36\text{ V}$ | | ± 0.3 | ± 2.5 | mV |
| | | $T_A = -40^\circ\text{C to }+125^\circ\text{C}$ | | | ± 5.5 | mV |
| dV_{OS}/dT | Input offset voltage drift | $T_A = -40^\circ\text{C to }+125^\circ\text{C}$ | | ± 4 | ± 20 | $\mu\text{V}/^\circ\text{C}$ |
| PSRR | Power-supply rejection ratio | | | 15 | 100 | $\mu\text{V}/\text{V}$ |
| | | $T_A = -40^\circ\text{C to }+125^\circ\text{C}$ | | 20 | | $\mu\text{V}/\text{V}$ |
| INPUT VOLTAGE RANGE | | | | | | |
| V_{CM} | Common-mode voltage range | $T_A = -40^\circ\text{C to }+125^\circ\text{C}$ | | (V-) | (V+) | V |
| INPUT BIAS CURRENT | | | | | | |
| I_B | Input bias current | | | 5 | 15 | nA |
| | | $T_A = -40^\circ\text{C to }+125^\circ\text{C}$ | | | 20 | nA |
| I_{OS} | Input offset current | | | 0.5 | | nA |
| C_{LOAD} | Capacitive load drive | See Typical Characteristics | | | | |
| OUTPUT | | | | | | |
| V_O | Voltage output swing from rail | $I_O \leq 4\text{ mA}$, input overdrive = 100 mV, $V_S = 36\text{ V}$ | | | 900 | mV |
| | | $I_O = 0\text{ mA}$, input overdrive = 100 mV, $V_S = 36\text{ V}$ | | | 600 | mV |
| I_{SC} | Short circuit sink current | | | 20 | | mA |
| | Output leakage current | $V_{IN+} > V_{IN-}$ | | 70 | | nA |
| POWER SUPPLY | | | | | | |
| V_S | Specified voltage range | | | 2.2 | 36 | V |
| I_Q | Quiescent current (per channel) | $I_O = 0\text{ A}$ | | 55 | 75 | μA |
| | | $I_O = 0\text{ A}$, $T_A = -40^\circ\text{C to }+125^\circ\text{C}$ | | | 100 | μA |

7.7 Switching Characteristics

at $T_A = +25^\circ\text{C}$, $V_S = +2.2\text{ V to }+36\text{ V}$, $C_L = 15\text{ pF}$, $R_{PULLUP} = 5.1\text{ k}\Omega$, $V_{CM} = V_S / 2$ and $V_S = V_{PULLUP}$ (unless otherwise noted)

| PARAMETER | TEST CONDITIONS | MIN | TYP | MAX | UNIT |
|-----------|-------------------------------------|--------------------------|-----|-----|------|
| t_{pHL} | Propagation delay time, high-to-low | Input overdrive = 100 mV | | 460 | ns |
| t_{pLH} | Propagation delay time, low-to-high | Input overdrive = 100 mV | | 560 | ns |
| t_R | Rise time | Input overdrive = 100 mV | | 365 | ns |
| t_F | Fall time | Input overdrive = 100 mV | | 240 | ns |

7.8 Typical Characteristics

At $T_A = +25^\circ\text{C}$, $V_S = +5\text{ V}$, $R_{\text{PULLUP}} = 5.1\text{ k}\Omega$, and input overdrive = 100 mV, unless otherwise noted.

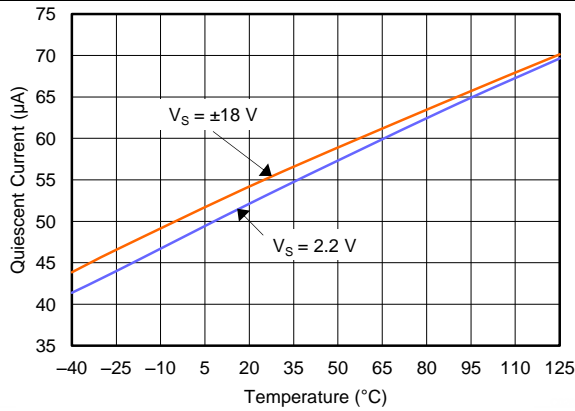


Figure 1. Quiescent Current vs Temperature

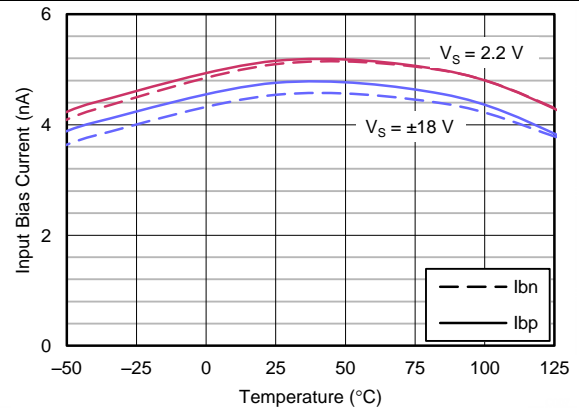


Figure 2. Input Bias Current vs Temperature

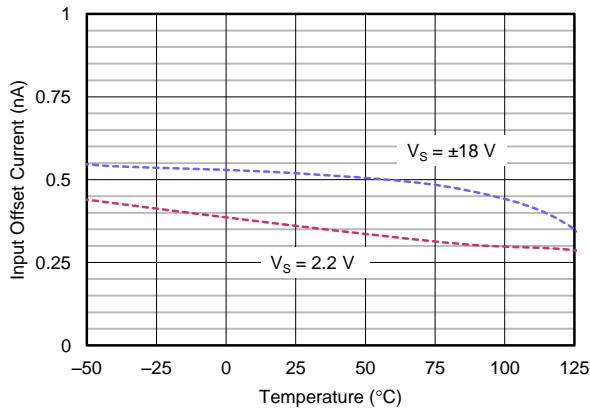


Figure 3. Input Offset Current vs Temperature

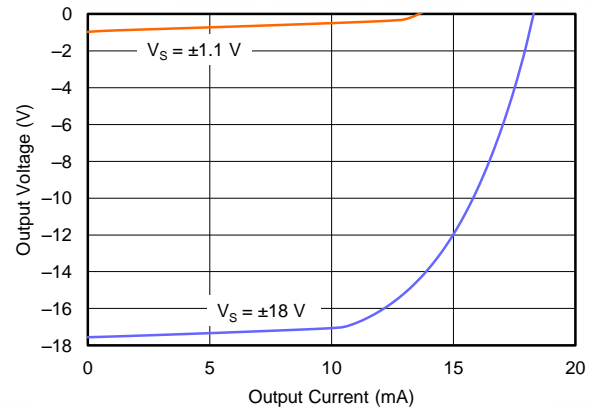


Figure 4. Output Voltage vs Output Current

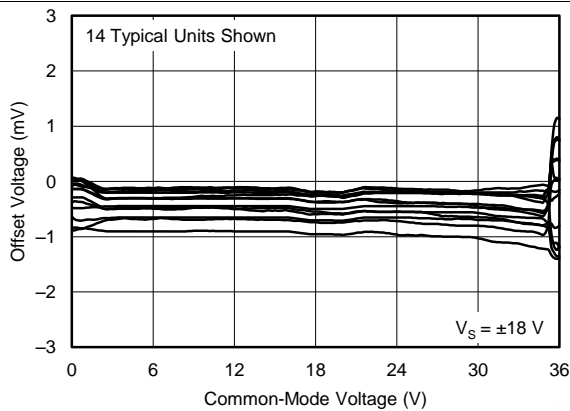


Figure 5. Offset Voltage vs Common-Mode Voltage

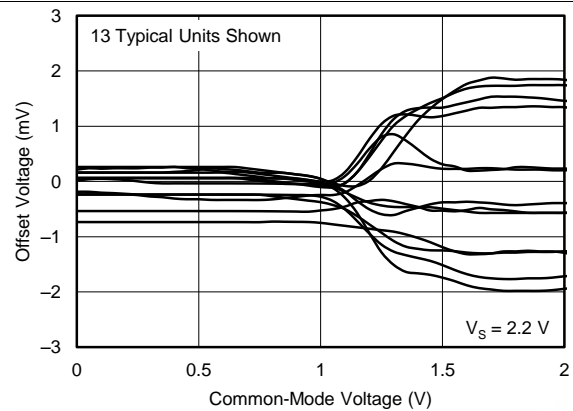


Figure 6. Offset Voltage vs Common-Mode Voltage

Typical Characteristics (continued)

At $T_A = +25^\circ\text{C}$, $V_S = +5\text{ V}$, $R_{PULLUP} = 5.1\text{ k}\Omega$, and input overdrive = 100 mV, unless otherwise noted.

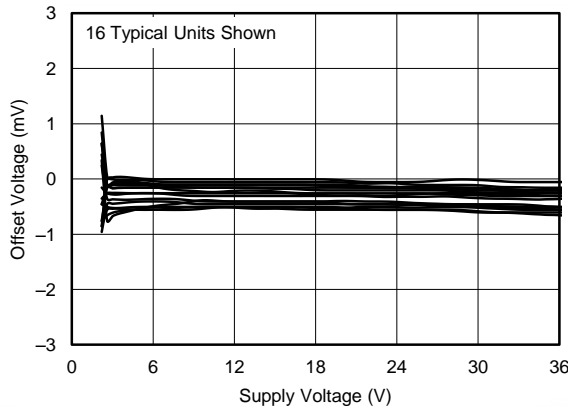


Figure 7. Offset Voltage vs Supply Voltage

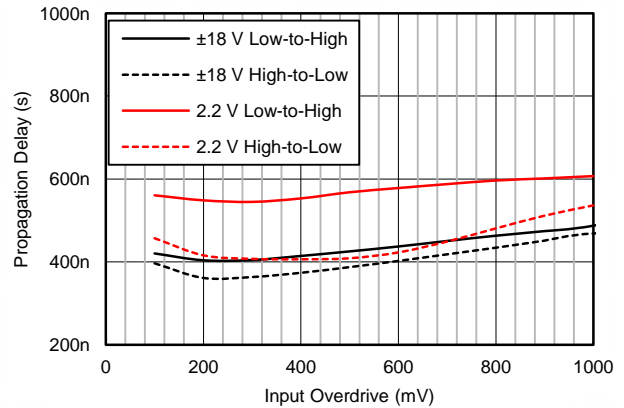


Figure 8. Propagation Delay vs Input Overdrive

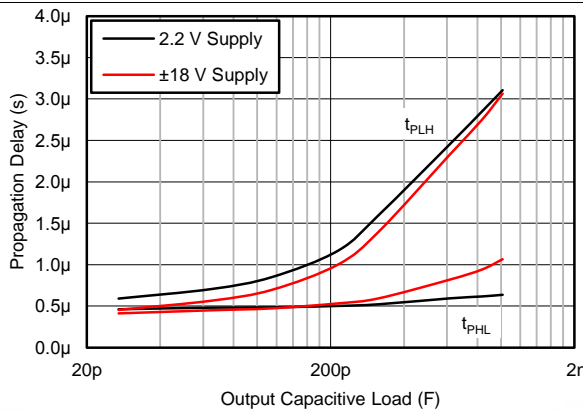


Figure 9. Propagation Delay vs Capacitive Load

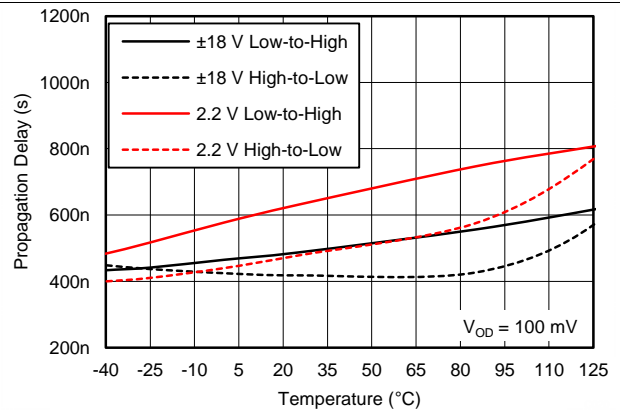


Figure 10. Propagation Delay vs Temperature

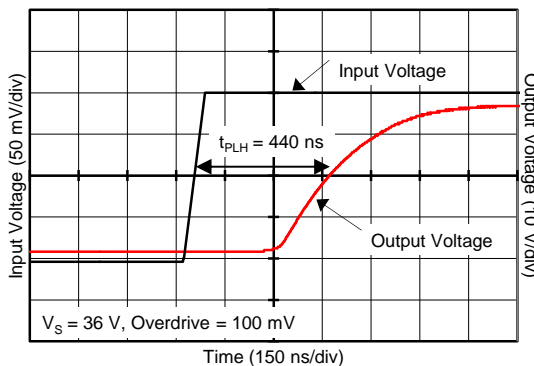


Figure 11. Propagation Delay ($T_{P_{LH}}$)

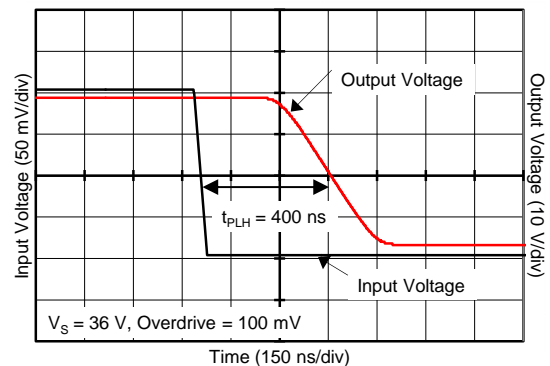


Figure 12. Propagation Delay ($T_{P_{HL}}$)

Typical Characteristics (continued)

At $T_A = +25^\circ\text{C}$, $V_S = +5\text{ V}$, $R_{PULLUP} = 5.1\text{ k}\Omega$, and input overdrive = 100 mV, unless otherwise noted.

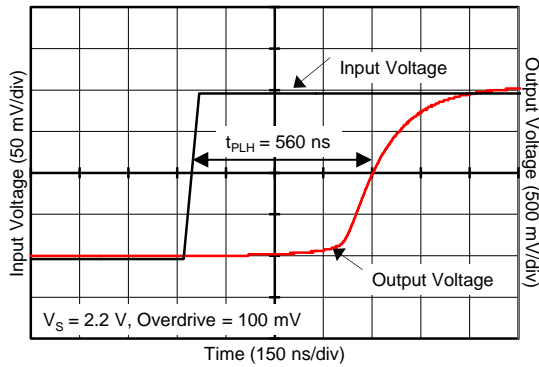


Figure 13. Propagation Delay (T_{pLH})



Figure 14. Propagation Delay (T_{pHL})

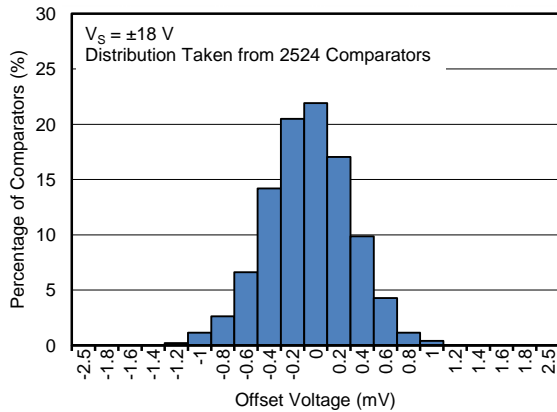


Figure 15. Offset Voltage Production Distribution

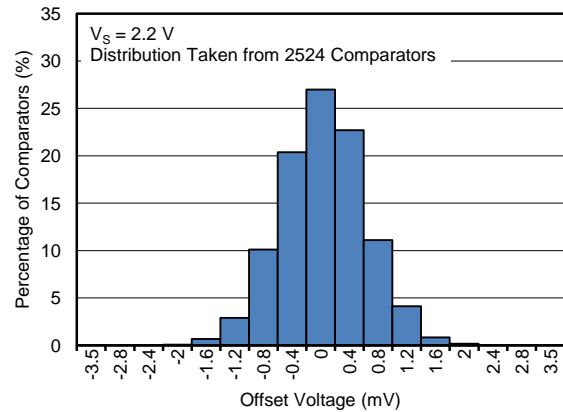


Figure 16. Offset Voltage Production Distribution

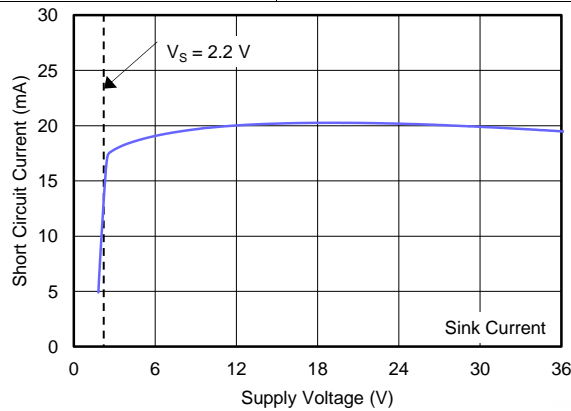


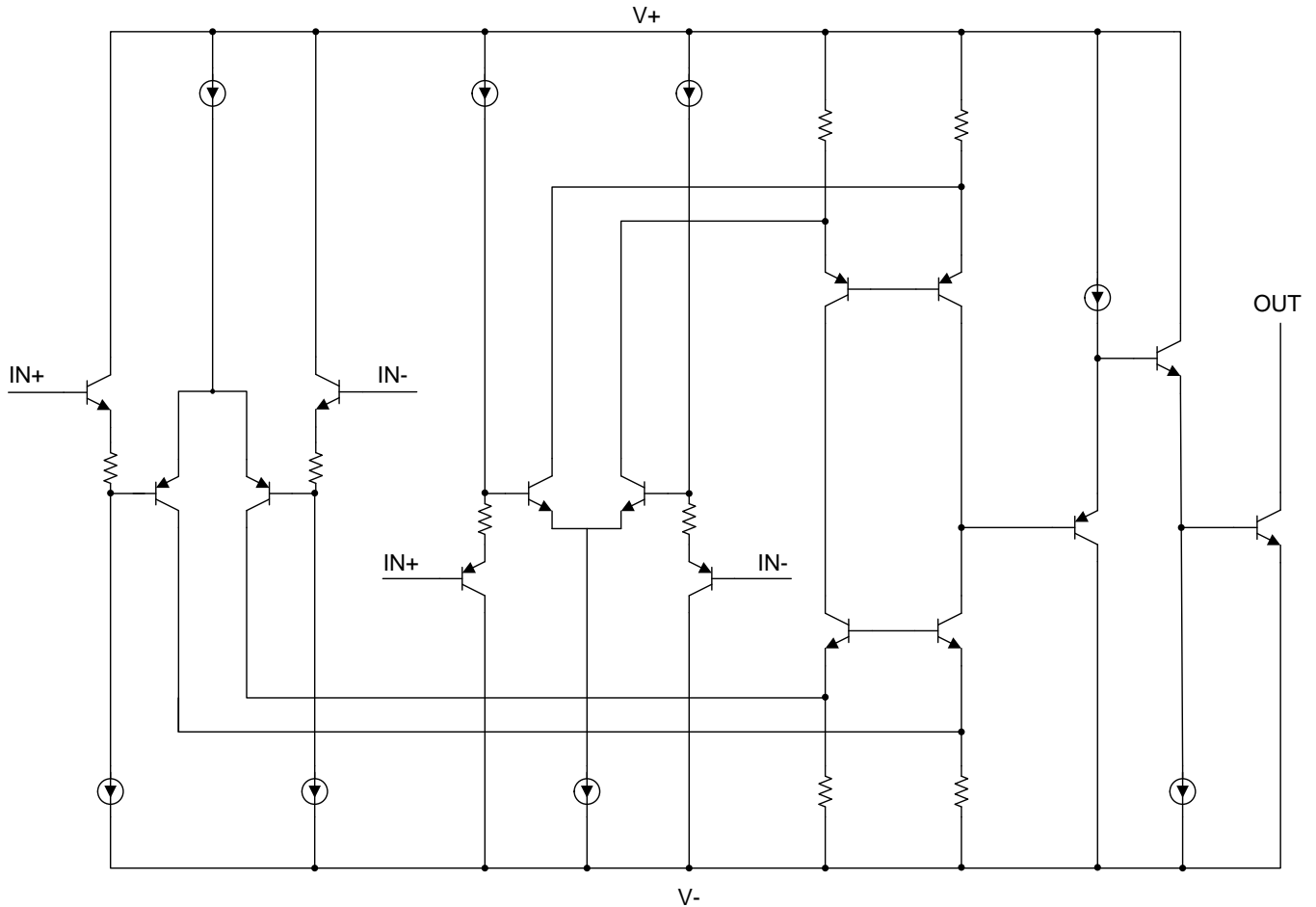
Figure 17. Short-Circuit Current vs Supply Voltage

8 Detailed Description

8.1 Overview

The TLV170x comparators features rail-to-rail input and output on supply voltages as high as 36 V. The rail-to-rail input stage enables detection of signals close to the supply and ground. The open collector configuration allows the device to be used in wired-OR configurations, such as a window comparator. A low supply current of 55 μA /channel with small, space-saving packages, makes these comparators versatile for use in a wide range of applications, from portable to industrial.

8.2 Functional Block Diagram



8.3 Feature Description

8.3.1 Comparator Inputs

The TLV170x are rail-to-rail input comparators, with an input common-mode range that includes the supply rails. The TLV170x is designed to prevent phase inversion when the input pins exceed the supply voltage. Figure 18 shows the TLV170x response when input voltages exceed the supply, resulting in no phase inversion.

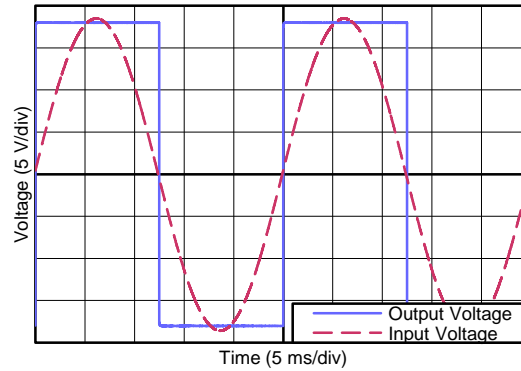


Figure 18. No Phase Inversion: Comparator Response to Input Voltage (Propagation Delay Included)

8.4 Device Functional Modes

8.4.1 Setting Reference Voltage

It is important to use a stable reference when setting the transition point for the TLV170x. The REF3333, as shown in Figure 19, provides a 3.3-V reference voltage with low drift and only 3.9 μ A of quiescent current.

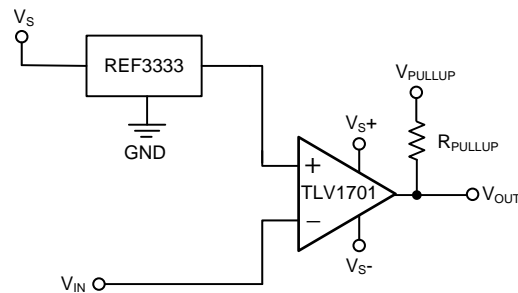


Figure 19. Reference Voltage for TLV170x

9 Applications and Implementation

NOTE

Information in the following applications and implementation sections is not part of the TI component specification, and TI does not warrant its accuracy or completeness. TI's customers are responsible for determining suitability of components for their purposes. Customers should validate and test their design implementation to confirm system functionality.

9.1 Application Information

The TLV170x can be used in a wide variety of applications, such as zero crossing detectors, window comparators, over and undervoltage detectors, and high-side voltage sense circuits.

9.2 Typical Application

9.2.1 Comparator with Hysteresis

Comparators are used to differentiate between two different signal levels. For example, a comparator differentiates between an overtemperature and normal-temperature condition. However, noise or signal variation at the comparison threshold causes multiple transitions. This application example sets upper and lower hysteresis thresholds to eliminate the multiple transitions caused by noise.

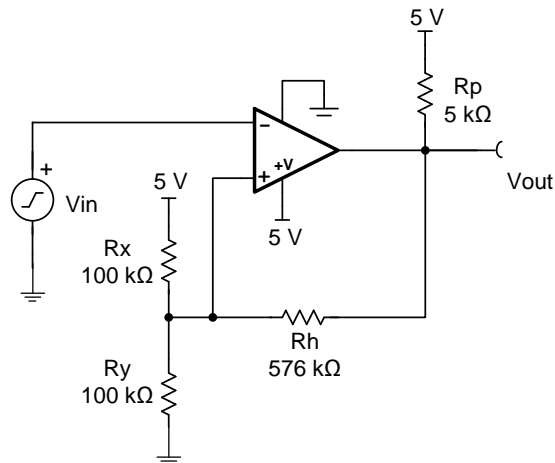


Figure 20. Comparator Schematic with Hysteresis

9.2.1.1 Design Requirements

The design requirements are as follows:

- Supply voltage: 5 V
- Input: 0 V to 5 V
- Lower threshold (VL) = 2.3 V \pm 0.1 V
- Upper threshold (VH) = 2.7 V \pm 0.1 V
- VH – VL = 2.4 V \pm 0.1 V
- Low power consumption

Typical Application (continued)

9.2.1.2 Detailed Design Procedure

Make a small change to the comparator circuit to add hysteresis. Hysteresis uses two different threshold voltages to avoid the multiple transitions introduced in the previous circuit. The input signal must exceed the upper threshold (VH) to transition low, or below the lower threshold (VL) to transition high.

[Figure 20](#) illustrates hysteresis on a comparator. Resistor Rh sets the hysteresis level. An open-collector output stage requires a pullup resistor (Rp). The pullup resistor creates a voltage divider at the comparator output that introduces an error when the output is at logic high. This error can be minimized if $R_h > 100R_p$.

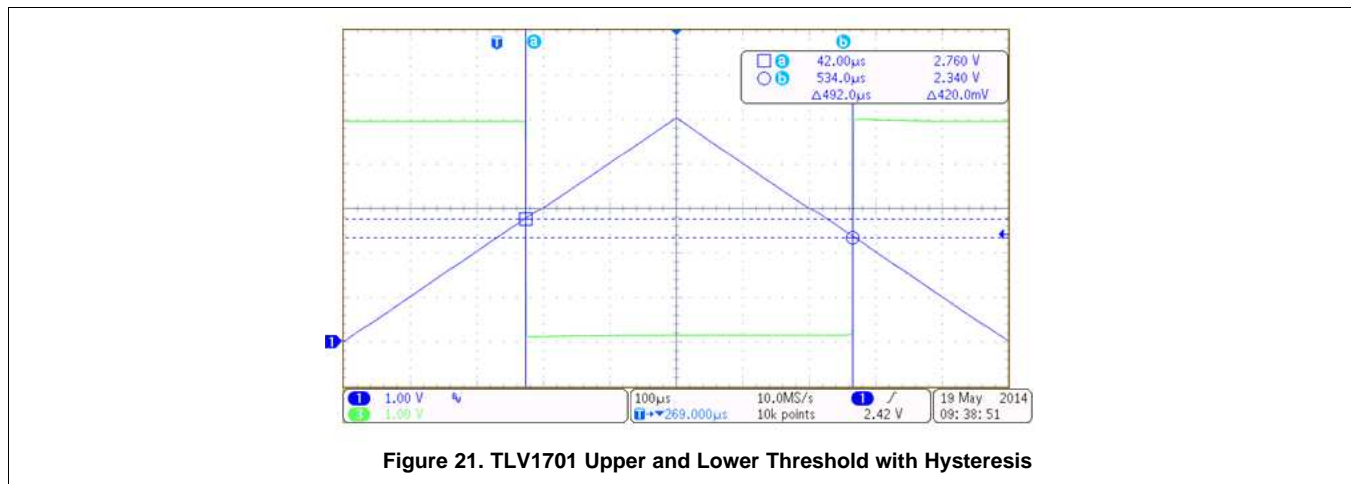
When the output is at a logic high (5 V), Rh is in parallel with Rx (ignoring Rp). This configuration drives more current into Ry, and raises the threshold voltage (VH) to 2.7 V. The input signal must drive above $V_H = 2.7$ V to cause the output to transition to logic low (0 V).

When the output is at logic low (0 V), Rh is in parallel with Ry. This configuration reduces the current into Ry, and reduces the threshold voltage to 2.3 V. The input signal must drive below $V_L = 2.3$ V to cause the output to transition to logic high (5 V).

For more details on this design and other alternative devices that can be used in place of the TLV1702, refer to Precision Design [TIPD144](#), *Comparator with Hysteresis Reference Design*.

9.2.1.3 Application Curves

[Figure 21](#) shows the upper and lower thresholds for hysteresis. The upper threshold is 2.76 V and the lower threshold is 2.34 V, both of which are close to the design target.



10 Power Supply Recommendations

The TLV170x is specified for operation from 2.2 V to 36 V (± 1.1 to ± 18 V); many specifications apply from -40°C to $+125^\circ\text{C}$. Parameters that can exhibit significant variance with regard to operating voltage or temperature are presented in the [Typical Characteristics](#).

CAUTION

Supply voltages larger than 40 V can permanently damage the device; see the [Absolute Maximum Ratings](#).

Place 0.1- μF bypass capacitors close to the power-supply pins to reduce errors coupling in from noisy or high-impedance power supplies. For more detailed information on bypass capacitor placement, refer to the [Layout Guidelines](#) section.

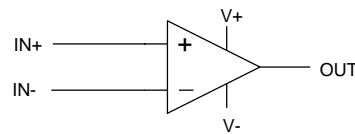
11 Layout

11.1 Layout Guidelines

Comparators are very sensitive to input noise. For best results, the following layout guidelines should be maintained:

- Use a printed circuit board (PCB) with a good, unbroken low-inductance ground plane. Proper grounding (use of ground plane) helps maintain specified performance of the TLV170x.
- To minimize supply noise, place a decoupling capacitor (0.1- μ F ceramic, surface-mount capacitor) as close as possible to V_S as shown in [Layout Example](#).
- On the inputs and the output, keep lead lengths as short as possible to avoid unwanted parasitic feedback around the comparator. Keep inputs away from the output.
- Solder the device directly to the PCB rather than using a socket.
- For slow-moving input signals, take care to prevent parasitic feedback. A small capacitor (1000 pF or less) placed between the inputs can help eliminate oscillations in the transition region. This capacitor causes some degradation to propagation delay when the impedance is low. Run the topside ground plane between the output and inputs.
- Run the ground pin ground trace under the device up to the bypass capacitor, shielding the inputs from the outputs.

11.2 Layout Example



(Schematic Representation)

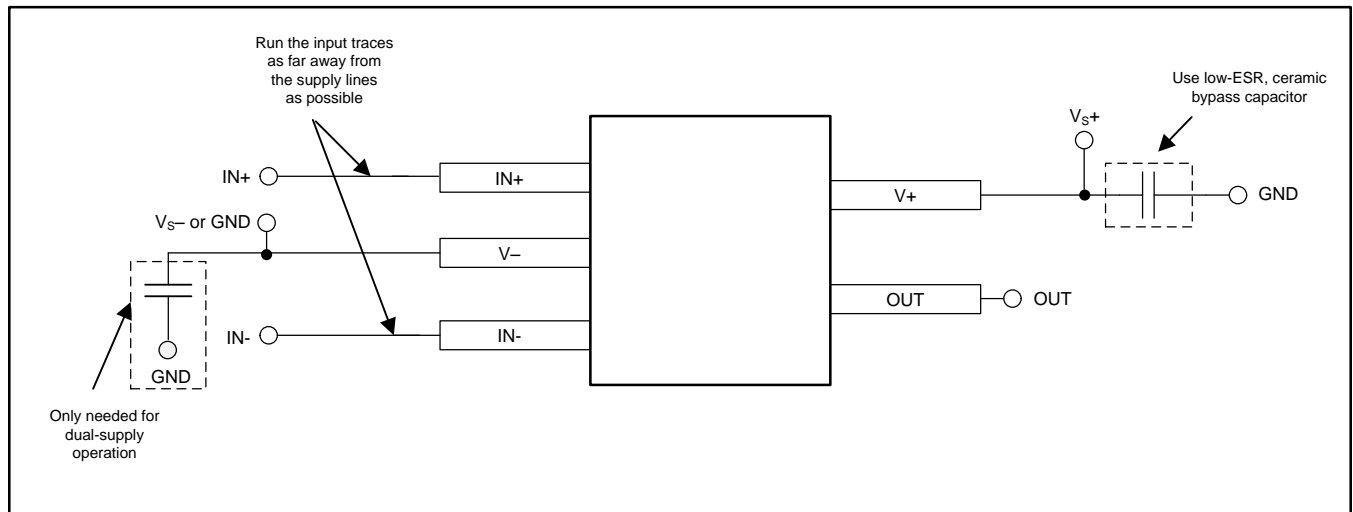


Figure 22. Comparator Board Layout

12 Device and Documentation Support

12.1 Documentation Support

12.1.1 Related Documentation

[TIDU020](#) — *Precision Design, Comparator with Hysteresis Reference Design.*

12.2 Related Links

[Table 1](#) lists quick access links. Categories include technical documents, support and community resources, tools and software, and quick access to sample or buy.

Table 1. Related Links

| PARTS | PRODUCT FOLDER | SAMPLE & BUY | TECHNICAL DOCUMENTS | TOOLS & SOFTWARE | SUPPORT & COMMUNITY |
|---------|----------------------------|----------------------------|----------------------------|----------------------------|----------------------------|
| TLV1701 | Click here | Click here | Click here | Click here | Click here |
| TLV1702 | Click here | Click here | Click here | Click here | Click here |
| TLV1704 | Click here | Click here | Click here | Click here | Click here |

12.3 Trademarks

All trademarks are the property of their respective owners.

12.4 Electrostatic Discharge Caution



This integrated circuit can be damaged by ESD. Texas Instruments recommends that all integrated circuits be handled with appropriate precautions. Failure to observe proper handling and installation procedures can cause damage.

ESD damage can range from subtle performance degradation to complete device failure. Precision integrated circuits may be more susceptible to damage because very small parametric changes could cause the device not to meet its published specifications.

12.5 Glossary

[SLYZ022](#) — *TI Glossary.*

This glossary lists and explains terms, acronyms, and definitions.

13 Mechanical, Packaging, and Orderable Information

The following pages include mechanical packaging and orderable information. This information is the most current data available for the designated devices. This data is subject to change without notice and revision of this document. For browser-based versions of this data sheet, refer to the left-hand navigation.

PACKAGING INFORMATION

| Orderable Device | Status (1) | Package Type | Package Drawing | Pins | Package Qty | Eco Plan (2) | Lead/Ball Finish (6) | MSL Peak Temp (3) | Op Temp (°C) | Device Marking (4/5) | Samples |
|------------------|---------------|--------------|-----------------|------|-------------|-------------------------|-------------------------|----------------------|--------------|-------------------------|-------------------------|
| TLV1701AIDBVR | ACTIVE | SOT-23 | DBV | 5 | 3000 | Green (RoHS & no Sb/Br) | CU NIPDAU | Level-2-260C-1 YEAR | -40 to 125 | ZAYF | Samples |
| TLV1701AIDBVT | ACTIVE | SOT-23 | DBV | 5 | 250 | Green (RoHS & no Sb/Br) | CU NIPDAU | Level-2-260C-1 YEAR | -40 to 125 | ZAYF | Samples |
| TLV1701AIDCKR | ACTIVE | SC70 | DCK | 5 | 3000 | Green (RoHS & no Sb/Br) | CU NIPDAU | Level-2-260C-1 YEAR | -40 to 125 | SIR | Samples |
| TLV1701AIDCKT | ACTIVE | SC70 | DCK | 5 | 250 | Green (RoHS & no Sb/Br) | CU NIPDAU | Level-2-260C-1 YEAR | -40 to 125 | SIR | Samples |
| TLV1702AIDGK | ACTIVE | VSSOP | DGK | 8 | 80 | Green (RoHS & no Sb/Br) | CU NIPDAUAG | Level-1-260C-UNLIM | -40 to 125 | 1702 | Samples |
| TLV1702AIDGKR | ACTIVE | VSSOP | DGK | 8 | 2500 | Green (RoHS & no Sb/Br) | CU NIPDAUAG | Level-1-260C-UNLIM | -40 to 125 | 1702 | Samples |
| TLV1702AIRUGR | PREVIEW | X2QFN | RUG | 8 | 3000 | TBD | Call TI | Call TI | -40 to 125 | | |
| TLV1704AIPW | ACTIVE | TSSOP | PW | 14 | 90 | Green (RoHS & no Sb/Br) | CU NIPDAU | Level-2-260C-1 YEAR | -40 to 125 | TL1704 | Samples |
| TLV1704AIPWR | ACTIVE | TSSOP | PW | 14 | 2000 | Green (RoHS & no Sb/Br) | CU NIPDAU | Level-2-260C-1 YEAR | -40 to 125 | TL1704 | Samples |

(1) The marketing status values are defined as follows:

ACTIVE: Product device recommended for new designs.

LIFEBUY: TI has announced that the device will be discontinued, and a lifetime-buy period is in effect.

NRND: Not recommended for new designs. Device is in production to support existing customers, but TI does not recommend using this part in a new design.

PREVIEW: Device has been announced but is not in production. Samples may or may not be available.

OBSOLETE: TI has discontinued the production of the device.

(2) Eco Plan - The planned eco-friendly classification: Pb-Free (RoHS), Pb-Free (RoHS Exempt), or Green (RoHS & no Sb/Br) - please check <http://www.ti.com/productcontent> for the latest availability information and additional product content details.

TBD: The Pb-Free/Green conversion plan has not been defined.

Pb-Free (RoHS): TI's terms "Lead-Free" or "Pb-Free" mean semiconductor products that are compatible with the current RoHS requirements for all 6 substances, including the requirement that lead not exceed 0.1% by weight in homogeneous materials. Where designed to be soldered at high temperatures, TI Pb-Free products are suitable for use in specified lead-free processes.

Pb-Free (RoHS Exempt): This component has a RoHS exemption for either 1) lead-based flip-chip solder bumps used between the die and package, or 2) lead-based die adhesive used between the die and leadframe. The component is otherwise considered Pb-Free (RoHS compatible) as defined above.

Green (RoHS & no Sb/Br): TI defines "Green" to mean Pb-Free (RoHS compatible), and free of Bromine (Br) and Antimony (Sb) based flame retardants (Br or Sb do not exceed 0.1% by weight in homogeneous material)

(3) MSL, Peak Temp. - The Moisture Sensitivity Level rating according to the JEDEC industry standard classifications, and peak solder temperature.

(4) There may be additional marking, which relates to the logo, the lot trace code information, or the environmental category on the device.

(5) Multiple Device Markings will be inside parentheses. Only one Device Marking contained in parentheses and separated by a "~" will appear on a device. If a line is indented then it is a continuation of the previous line and the two combined represent the entire Device Marking for that device.

(6) Lead/Ball Finish - Orderable Devices may have multiple material finish options. Finish options are separated by a vertical ruled line. Lead/Ball Finish values may wrap to two lines if the finish value exceeds the maximum column width.

Important Information and Disclaimer: The information provided on this page represents TI's knowledge and belief as of the date that it is provided. TI bases its knowledge and belief on information provided by third parties, and makes no representation or warranty as to the accuracy of such information. Efforts are underway to better integrate information from third parties. TI has taken and continues to take reasonable steps to provide representative and accurate information but may not have conducted destructive testing or chemical analysis on incoming materials and chemicals. TI and TI suppliers consider certain information to be proprietary, and thus CAS numbers and other limited information may not be available for release.

In no event shall TI's liability arising out of such information exceed the total purchase price of the TI part(s) at issue in this document sold by TI to Customer on an annual basis.

TAPE AND REEL INFORMATION



QUADRANT ASSIGNMENTS FOR PIN 1 ORIENTATION IN TAPE



*All dimensions are nominal

| Device | Package Type | Package Drawing | Pins | SPQ | Reel Diameter (mm) | Reel Width W1 (mm) | A0 (mm) | B0 (mm) | K0 (mm) | P1 (mm) | W (mm) | Pin1 Quadrant |
|---------------|--------------|-----------------|------|------|--------------------|--------------------|---------|---------|---------|---------|--------|---------------|
| TLV1701AIDBVR | SOT-23 | DBV | 5 | 3000 | 178.0 | 9.0 | 3.23 | 3.17 | 1.37 | 4.0 | 8.0 | Q3 |
| TLV1701AIDBVT | SOT-23 | DBV | 5 | 250 | 178.0 | 9.0 | 3.23 | 3.17 | 1.37 | 4.0 | 8.0 | Q3 |
| TLV1701AIDCKR | SC70 | DCK | 5 | 3000 | 178.0 | 9.0 | 2.4 | 2.5 | 1.2 | 4.0 | 8.0 | Q3 |
| TLV1701AIDCKT | SC70 | DCK | 5 | 250 | 178.0 | 9.0 | 2.4 | 2.5 | 1.2 | 4.0 | 8.0 | Q3 |
| TLV1702AIDGKR | VSSOP | DGK | 8 | 2500 | 330.0 | 12.4 | 5.3 | 3.4 | 1.4 | 8.0 | 12.0 | Q1 |
| TLV1704AIPWR | TSSOP | PW | 14 | 2000 | 330.0 | 12.4 | 6.9 | 5.6 | 1.6 | 8.0 | 12.0 | Q1 |

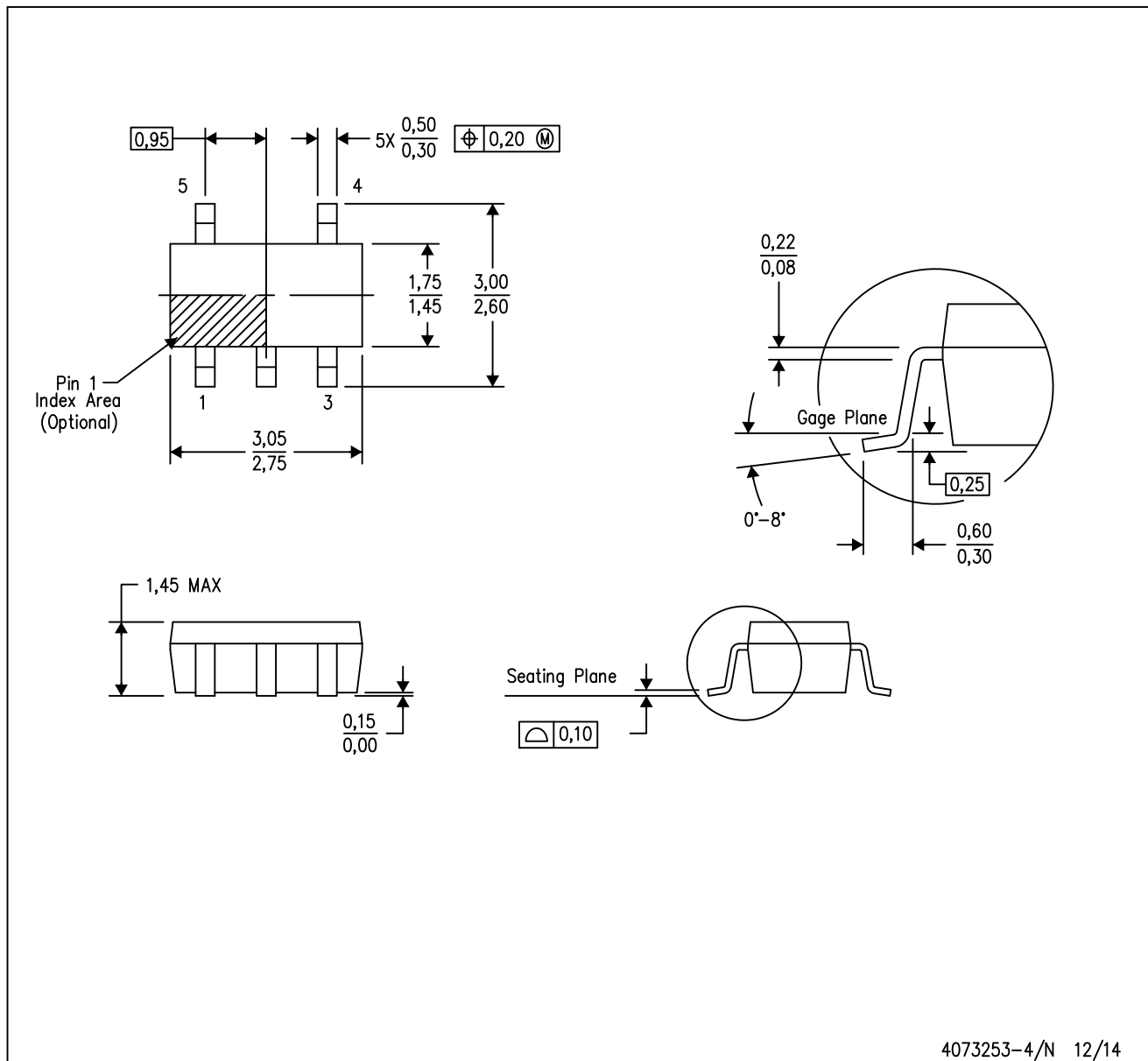
TAPE AND REEL BOX DIMENSIONS


*All dimensions are nominal

| Device | Package Type | Package Drawing | Pins | SPQ | Length (mm) | Width (mm) | Height (mm) |
|---------------|--------------|-----------------|------|------|-------------|------------|-------------|
| TLV1701AIDBVR | SOT-23 | DBV | 5 | 3000 | 180.0 | 180.0 | 18.0 |
| TLV1701AIDBVT | SOT-23 | DBV | 5 | 250 | 180.0 | 180.0 | 18.0 |
| TLV1701AIDCKR | SC70 | DCK | 5 | 3000 | 190.0 | 190.0 | 30.0 |
| TLV1701AIDCKT | SC70 | DCK | 5 | 250 | 190.0 | 190.0 | 30.0 |
| TLV1702AIDGKR | VSSOP | DGK | 8 | 2500 | 364.0 | 364.0 | 27.0 |
| TLV1704AIPWR | TSSOP | PW | 14 | 2000 | 367.0 | 367.0 | 35.0 |

DBV (R-PDSO-G5)

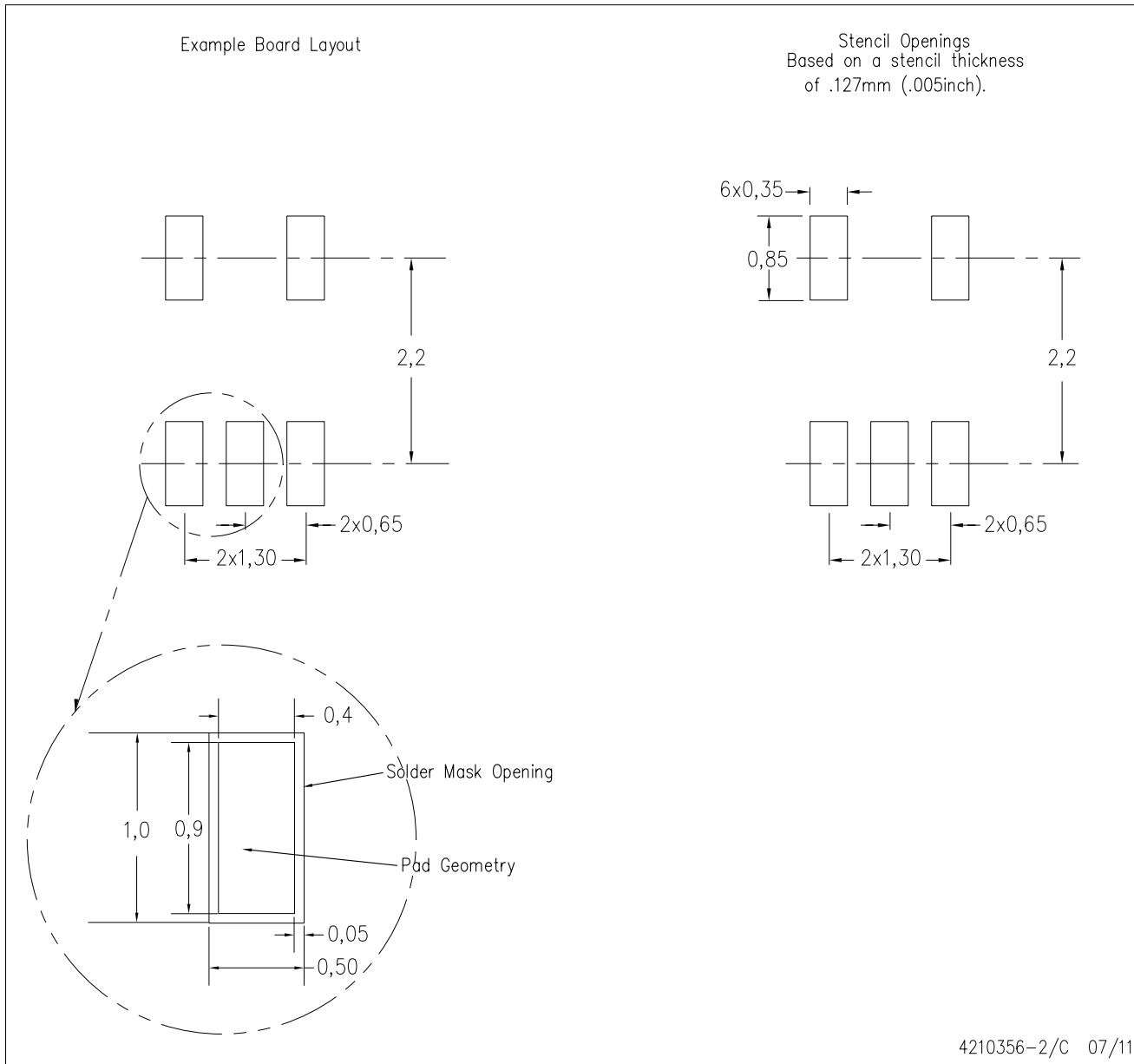
PLASTIC SMALL-OUTLINE PACKAGE



- NOTES:
- A. All linear dimensions are in millimeters.
 - B. This drawing is subject to change without notice.
 - C. Body dimensions do not include mold flash or protrusion. Mold flash and protrusion shall not exceed 0.15 per side.
 - D. Falls within JEDEC MO-178 Variation AA.

DCK (R-PDSO-G5)

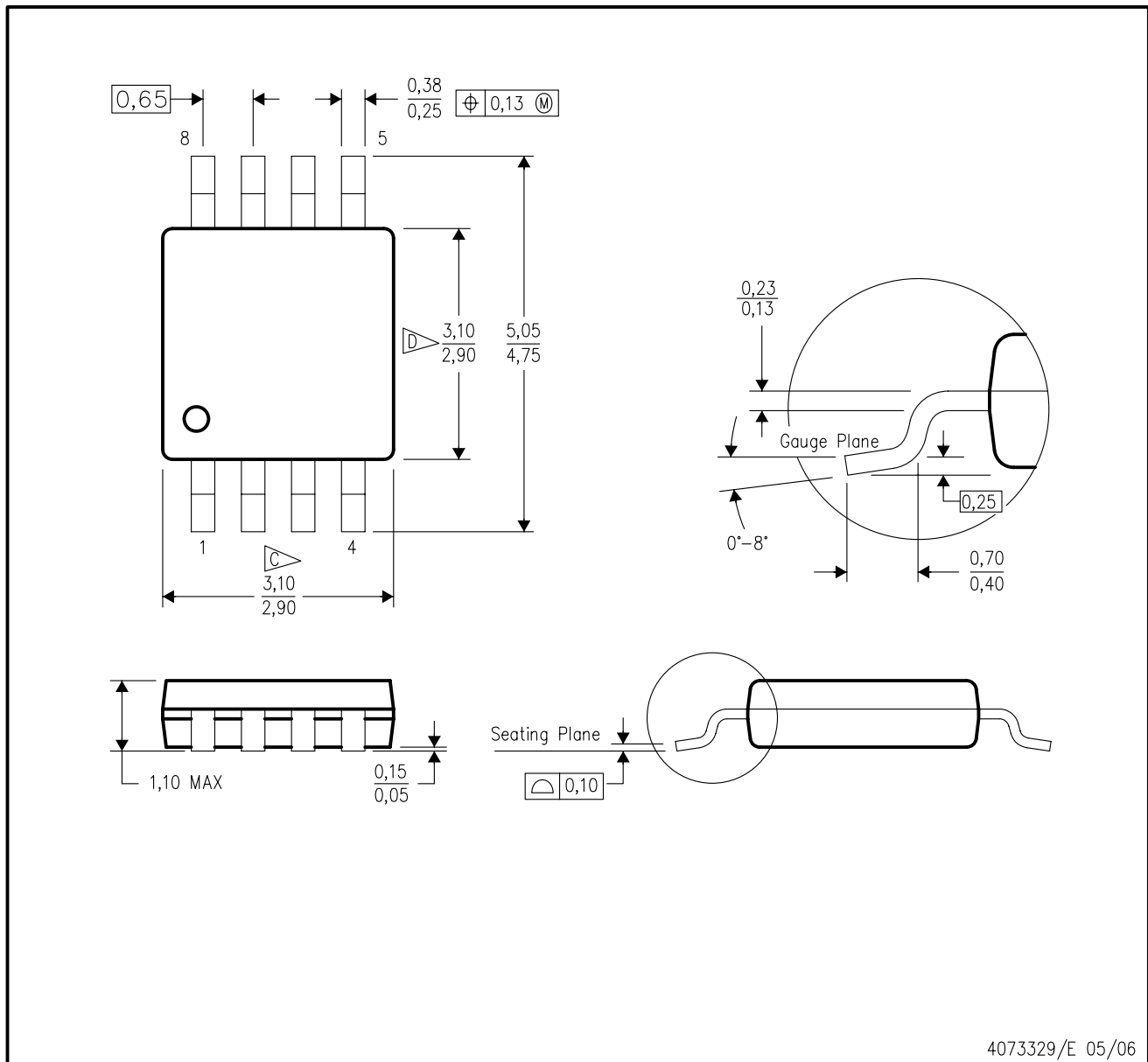
PLASTIC SMALL OUTLINE



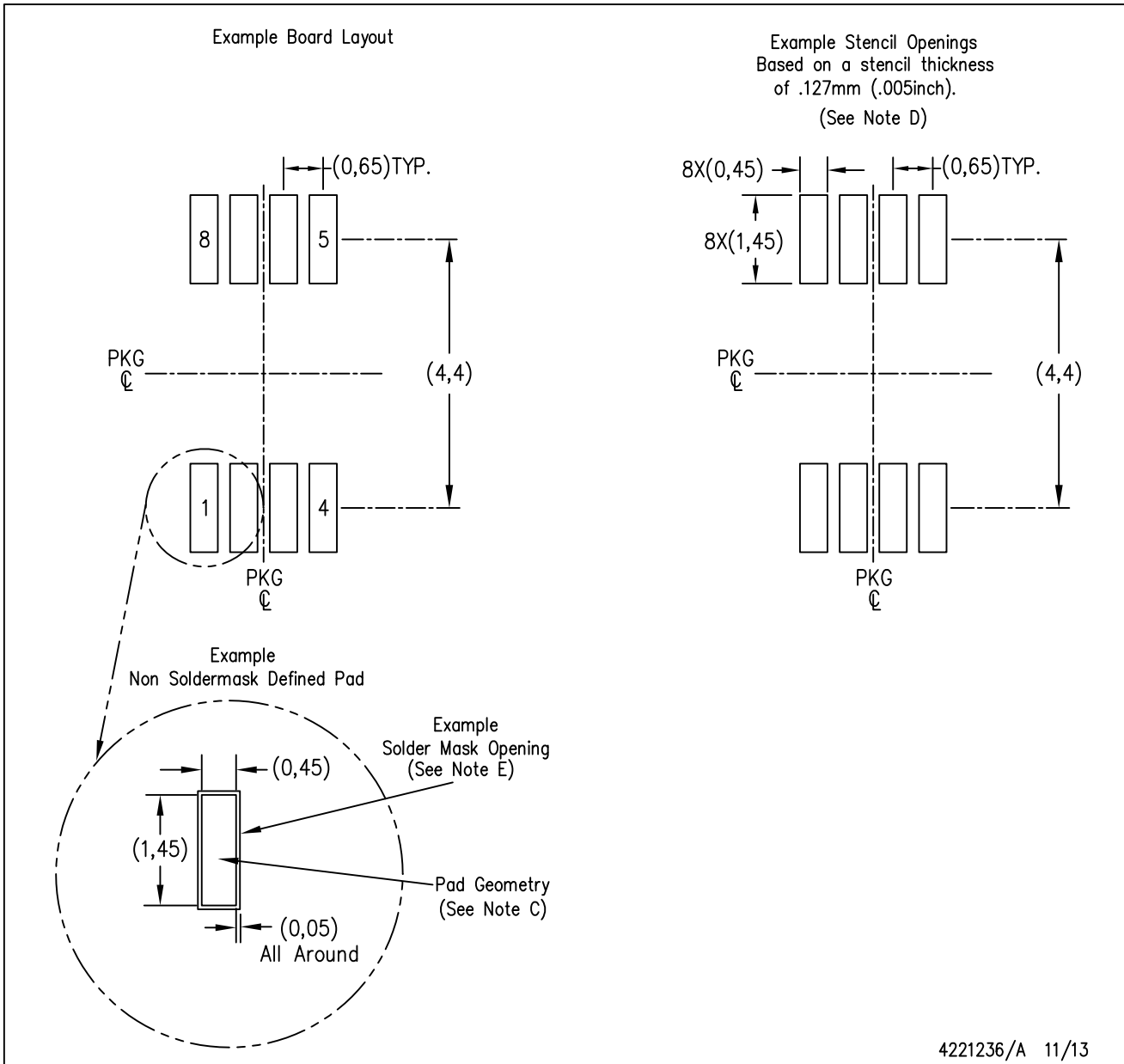
- NOTES:
- A. All linear dimensions are in millimeters.
 - B. This drawing is subject to change without notice.
 - C. Customers should place a note on the circuit board fabrication drawing not to alter the center solder mask defined pad.
 - D. Publication IPC-7351 is recommended for alternate designs.
 - E. Laser cutting apertures with trapezoidal walls and also rounding corners will offer better paste release. Customers should contact their board assembly site for stencil design recommendations. Example stencil design based on a 50% volumetric metal load solder paste. Refer to IPC-7525 for other stencil recommendations.

DGK (S-PDSO-G8)

PLASTIC SMALL-OUTLINE PACKAGE



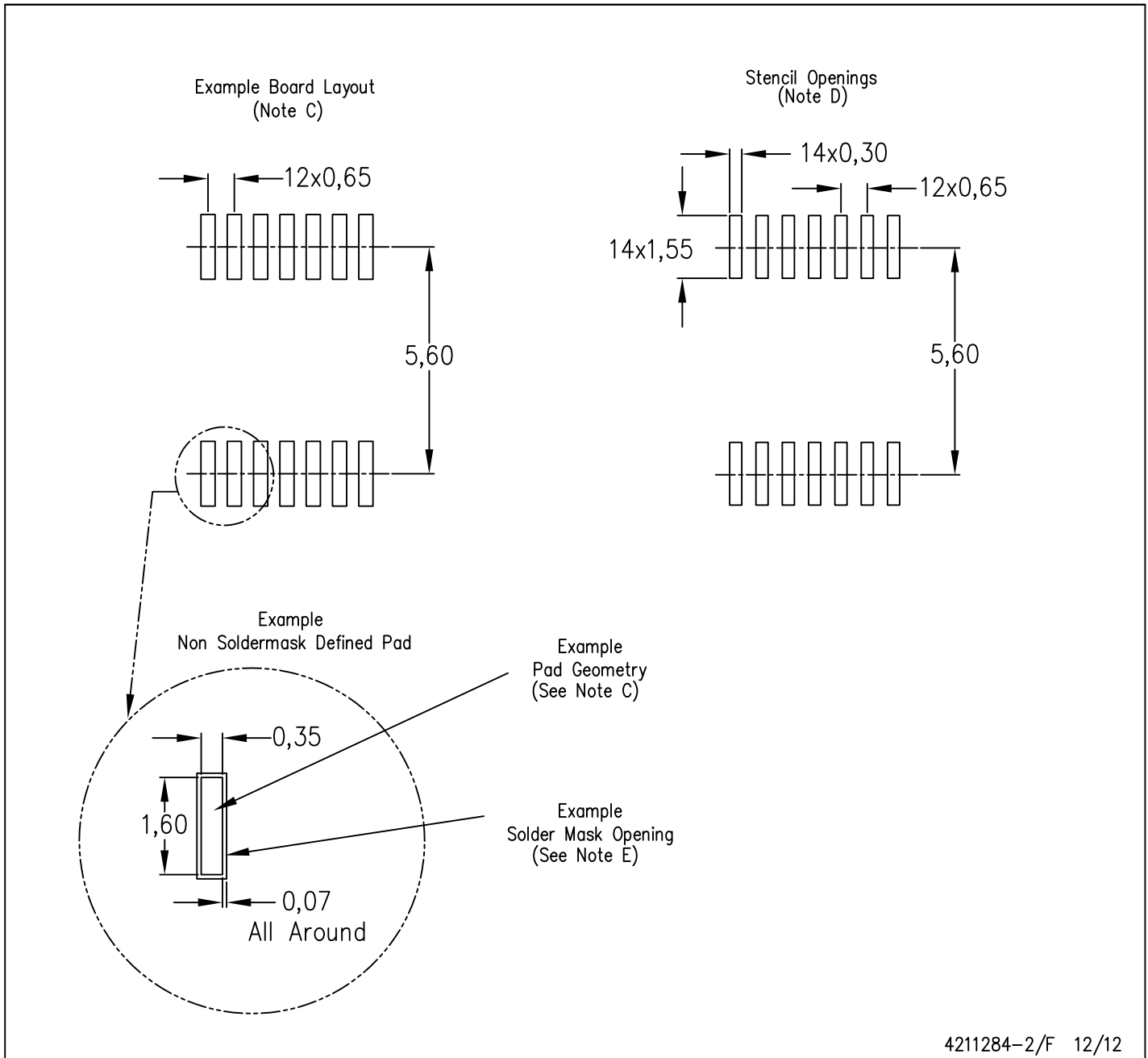
- NOTES:
- A. All linear dimensions are in millimeters.
 - B. This drawing is subject to change without notice.
 - C. Body length does not include mold flash, protrusions, or gate burrs. Mold flash, protrusions, or gate burrs shall not exceed 0.15 per end.
 - D. Body width does not include interlead flash. Interlead flash shall not exceed 0.50 per side.
 - E. Falls within JEDEC MO-187 variation AA, except interlead flash.



- NOTES:
- A. All linear dimensions are in millimeters.
 - B. This drawing is subject to change without notice.
 - C. Publication IPC-7351 is recommended for alternate designs.
 - D. Laser cutting apertures with trapezoidal walls and also rounding corners will offer better paste release. Customers should contact their board assembly site for stencil design recommendations. Refer to IPC-7525 for other stencil recommendations.
 - E. Customers should contact their board fabrication site for solder mask tolerances between and around signal pads.

PW (R-PDSO-G14)

PLASTIC SMALL OUTLINE



- NOTES:
- A. All linear dimensions are in millimeters.
 - B. This drawing is subject to change without notice.
 - C. Publication IPC-7351 is recommended for alternate designs.
 - D. Laser cutting apertures with trapezoidal walls and also rounding corners will offer better paste release. Customers should contact their board assembly site for stencil design recommendations. Refer to IPC-7525 for other stencil recommendations.
 - E. Customers should contact their board fabrication site for solder mask tolerances between and around signal pads.

IMPORTANT NOTICE

Texas Instruments Incorporated and its subsidiaries (TI) reserve the right to make corrections, enhancements, improvements and other changes to its semiconductor products and services per JESD46, latest issue, and to discontinue any product or service per JESD48, latest issue. Buyers should obtain the latest relevant information before placing orders and should verify that such information is current and complete. All semiconductor products (also referred to herein as "components") are sold subject to TI's terms and conditions of sale supplied at the time of order acknowledgment.

TI warrants performance of its components to the specifications applicable at the time of sale, in accordance with the warranty in TI's terms and conditions of sale of semiconductor products. Testing and other quality control techniques are used to the extent TI deems necessary to support this warranty. Except where mandated by applicable law, testing of all parameters of each component is not necessarily performed.

TI assumes no liability for applications assistance or the design of Buyers' products. Buyers are responsible for their products and applications using TI components. To minimize the risks associated with Buyers' products and applications, Buyers should provide adequate design and operating safeguards.

TI does not warrant or represent that any license, either express or implied, is granted under any patent right, copyright, mask work right, or other intellectual property right relating to any combination, machine, or process in which TI components or services are used. Information published by TI regarding third-party products or services does not constitute a license to use such products or services or a warranty or endorsement thereof. Use of such information may require a license from a third party under the patents or other intellectual property of the third party, or a license from TI under the patents or other intellectual property of TI.

Reproduction of significant portions of TI information in TI data books or data sheets is permissible only if reproduction is without alteration and is accompanied by all associated warranties, conditions, limitations, and notices. TI is not responsible or liable for such altered documentation. Information of third parties may be subject to additional restrictions.

Resale of TI components or services with statements different from or beyond the parameters stated by TI for that component or service voids all express and any implied warranties for the associated TI component or service and is an unfair and deceptive business practice. TI is not responsible or liable for any such statements.

Buyer acknowledges and agrees that it is solely responsible for compliance with all legal, regulatory and safety-related requirements concerning its products, and any use of TI components in its applications, notwithstanding any applications-related information or support that may be provided by TI. Buyer represents and agrees that it has all the necessary expertise to create and implement safeguards which anticipate dangerous consequences of failures, monitor failures and their consequences, lessen the likelihood of failures that might cause harm and take appropriate remedial actions. Buyer will fully indemnify TI and its representatives against any damages arising out of the use of any TI components in safety-critical applications.

In some cases, TI components may be promoted specifically to facilitate safety-related applications. With such components, TI's goal is to help enable customers to design and create their own end-product solutions that meet applicable functional safety standards and requirements. Nonetheless, such components are subject to these terms.

No TI components are authorized for use in FDA Class III (or similar life-critical medical equipment) unless authorized officers of the parties have executed a special agreement specifically governing such use.

Only those TI components which TI has specifically designated as military grade or "enhanced plastic" are designed and intended for use in military/aerospace applications or environments. Buyer acknowledges and agrees that any military or aerospace use of TI components which have **not** been so designated is solely at the Buyer's risk, and that Buyer is solely responsible for compliance with all legal and regulatory requirements in connection with such use.

TI has specifically designated certain components as meeting ISO/TS16949 requirements, mainly for automotive use. In any case of use of non-designated products, TI will not be responsible for any failure to meet ISO/TS16949.

Products

| | |
|------------------------------|--|
| Audio | www.ti.com/audio |
| Amplifiers | amplifier.ti.com |
| Data Converters | dataconverter.ti.com |
| DLP® Products | www.dlp.com |
| DSP | dsp.ti.com |
| Clocks and Timers | www.ti.com/clocks |
| Interface | interface.ti.com |
| Logic | logic.ti.com |
| Power Mgmt | power.ti.com |
| Microcontrollers | microcontroller.ti.com |
| RFID | www.ti-rfid.com |
| OMAP Applications Processors | www.ti.com/omap |
| Wireless Connectivity | www.ti.com/wirelessconnectivity |

Applications

| | |
|-------------------------------|--|
| Automotive and Transportation | www.ti.com/automotive |
| Communications and Telecom | www.ti.com/communications |
| Computers and Peripherals | www.ti.com/computers |
| Consumer Electronics | www.ti.com/consumer-apps |
| Energy and Lighting | www.ti.com/energy |
| Industrial | www.ti.com/industrial |
| Medical | www.ti.com/medical |
| Security | www.ti.com/security |
| Space, Avionics and Defense | www.ti.com/space-avionics-defense |
| Video and Imaging | www.ti.com/video |

TI E2E Community

e2e.ti.com