

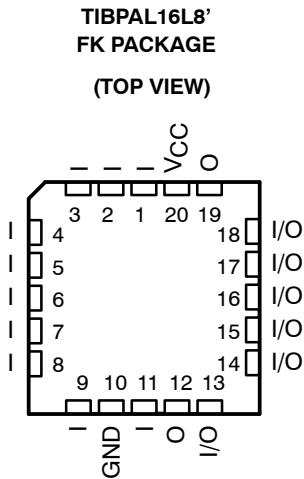
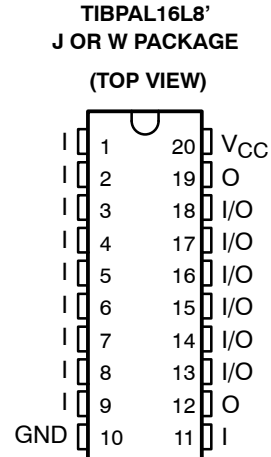
- **High-Performance Operation:**
Propagation Delay . . . 15 ns Max
- **Power-Up Clear on Registered Devices (All Register Outputs are Set High, but Voltage Levels at the Output Pins Go Low)**
- **Package Options Include Ceramic Flat (W) Packages, Ceramic Chip Carriers (FK), and Ceramic (J) 300-mil DIPs**
- **Dependable Texas Instruments Quality and Reliability**

DEVICE	I INPUTS	3-STATE O OUTPUTS	REGISTERED Q OUTPUTS	I/O PORTS
PAL16L8	10	2	0	6
PAL16R4	8	0	4 (3-state buffers)	4
PAL16R6	8	0	6 (3-state buffers)	2
PAL16R8	8	0	8 (3-state buffers)	0

description

These programmable array logic devices feature high speed and functional equivalency when compared with currently available devices. These *IMPACT-X*™ circuits combine the latest Advanced Low-Power Schottky technology with proven titanium-tungsten fuses to provide reliable, high-performance substitutes for conventional TTL logic. Their easy programmability allows for quick design of custom functions and typically results in a more compact circuit board. In addition, chip carriers are available for further reduction in board space.

The TIBPAL16' M series is characterized for operation over the full military temperature range of -55°C to 125°C.



Pin assignments in operating mode

IMPORTANT PROGRAMMING NOTE: For TIBPAL16L8-15M devices in J, W, or FK packages – For date code 9903A or later device programming, select from either **TI Military/16L8-12** or TI commercial **TI/16L8-10** on the Manufacturer/Device menu listing in your programming system.

IMPORTANT PROGRAMMING NOTE: For TIBPAL16R4-15M devices in J, W, or FK packages – For date code 9616A or later device programming, select from either **TI Military/16R4-12** or TI commercial **TI/16R4-10** on the Manufacturer/Device menu listing in your programming system.



Please be aware that an important notice concerning availability, standard warranty, and use in critical applications of Texas Instruments semiconductor products and disclaimers thereto appears at the end of this data sheet.

IMPACT is a trademark of Texas Instruments Incorporated.
PAL is a registered trademark of Advanced Micro Devices Inc.

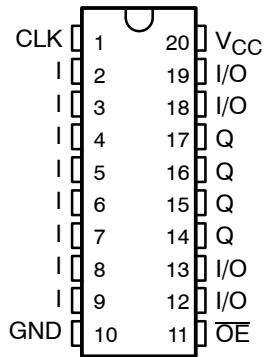
PRODUCTION DATA information is current as of publication date. Products conform to specifications per the terms of Texas Instruments standard warranty. Production processing does not necessarily include testing of all parameters.



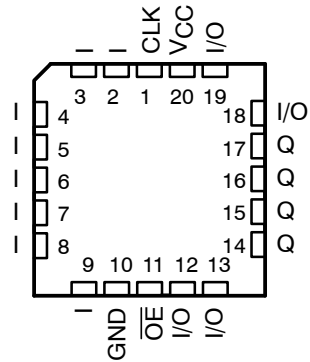
TIBPAL16L8-15M, TIBPAL16R4-15M HIGH-PERFORMANCE *IMPACT*™ PAL® CIRCUITS

SRPS018B – D3338, JANUARY 1986 – REVISED NOVEMBER 2011

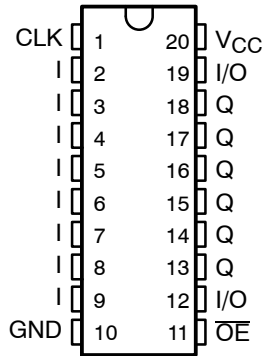
TIBPAL16R4'
J OR W PACKAGE
(TOP VIEW)



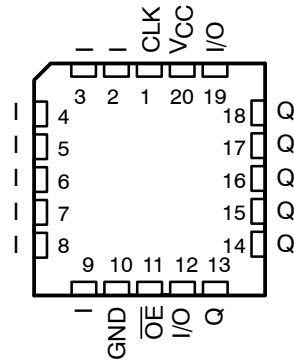
TIBPAL16R4'
FK PACKAGE
(TOP VIEW)



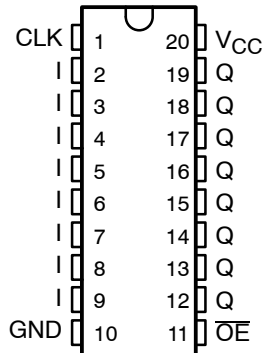
TIBPAL16R6'
J OR W PACKAGE
(TOP VIEW)



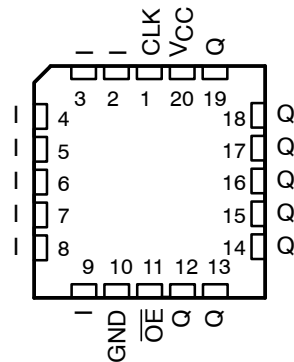
TIBPAL16R6'
FK PACKAGE
(TOP VIEW)



TIBPAL16R8'
J OR W PACKAGE
(TOP VIEW)

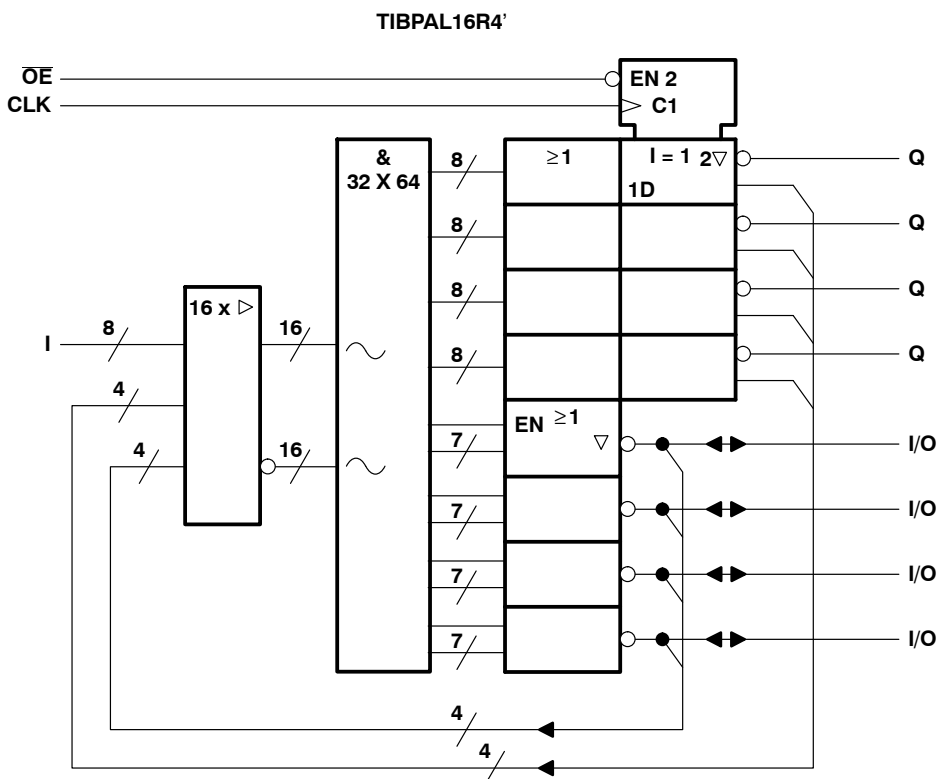
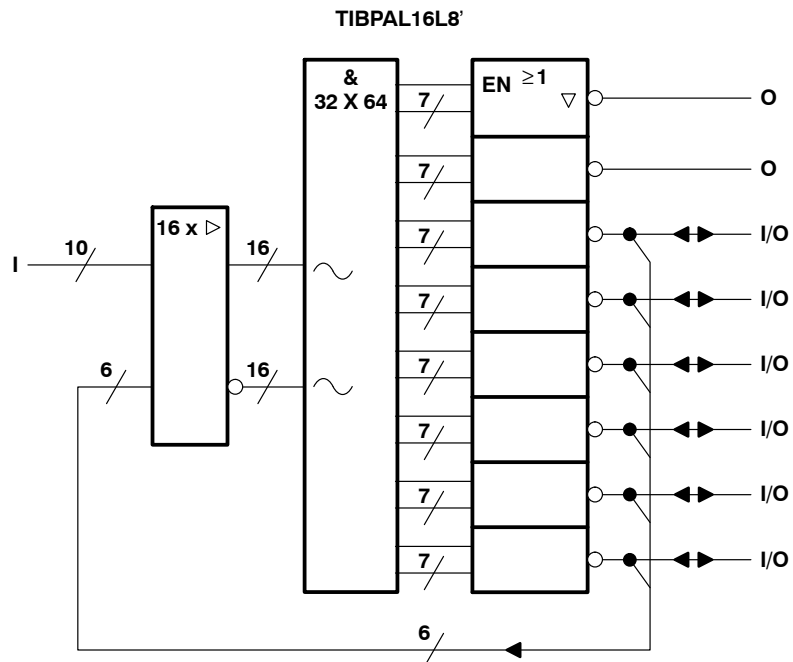


TIBPAL16R8'
FK PACKAGE
(TOP VIEW)



Pin assignments in operating mode

functional block diagrams (positive logic)

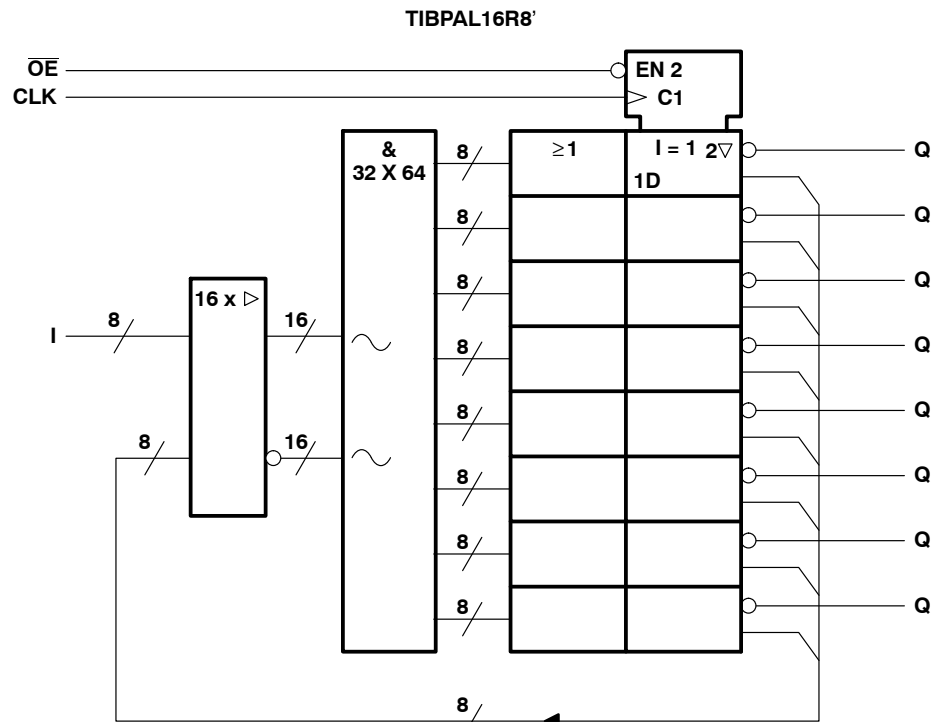
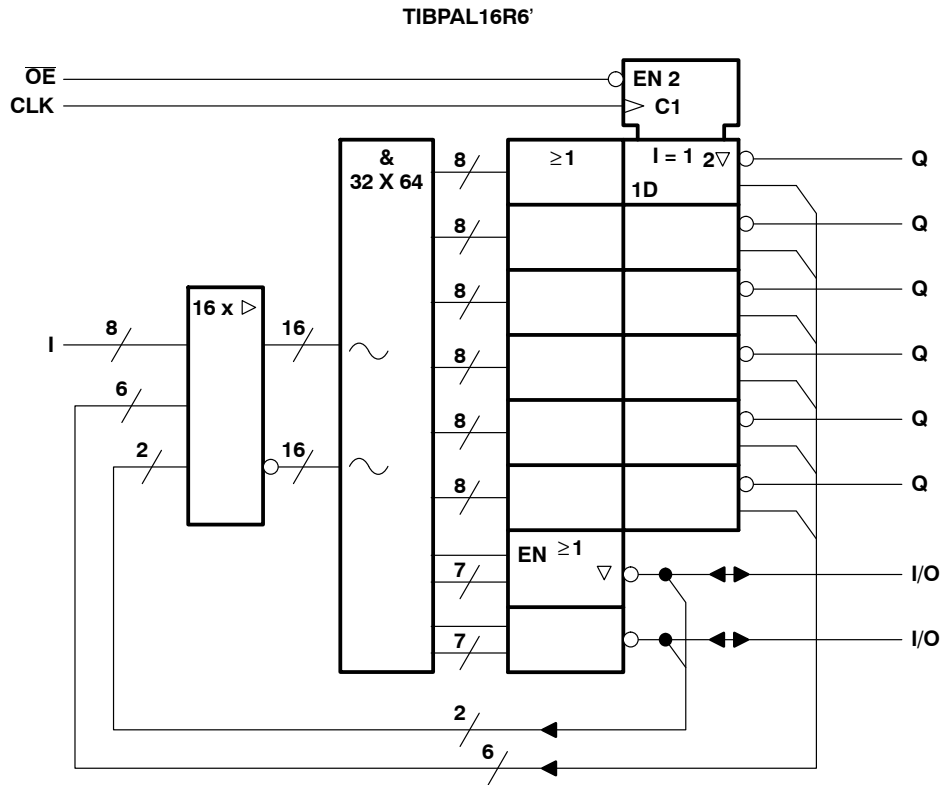


~ denotes fused inputs

TIBPAL16L8-15M, TIBPAL16R4-15M HIGH-PERFORMANCE *IMPACT*™ PAL® CIRCUITS

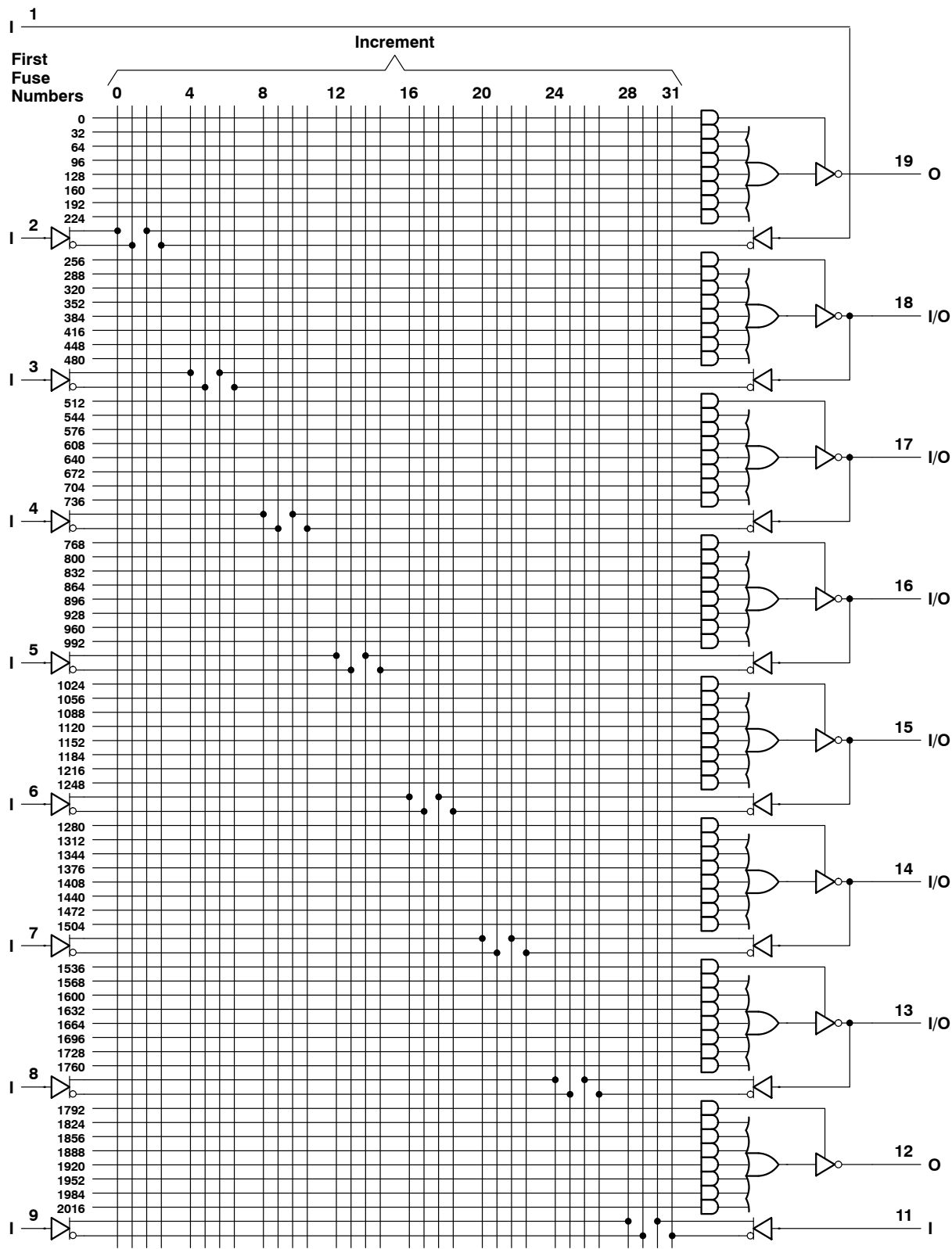
SRPS018B – D3338, JANUARY 1986 – REVISED NOVEMBER 2011

functional block diagrams (positive logic)



~ denotes fused inputs

TIBPAL16L8-15M logic diagram (positive logic)

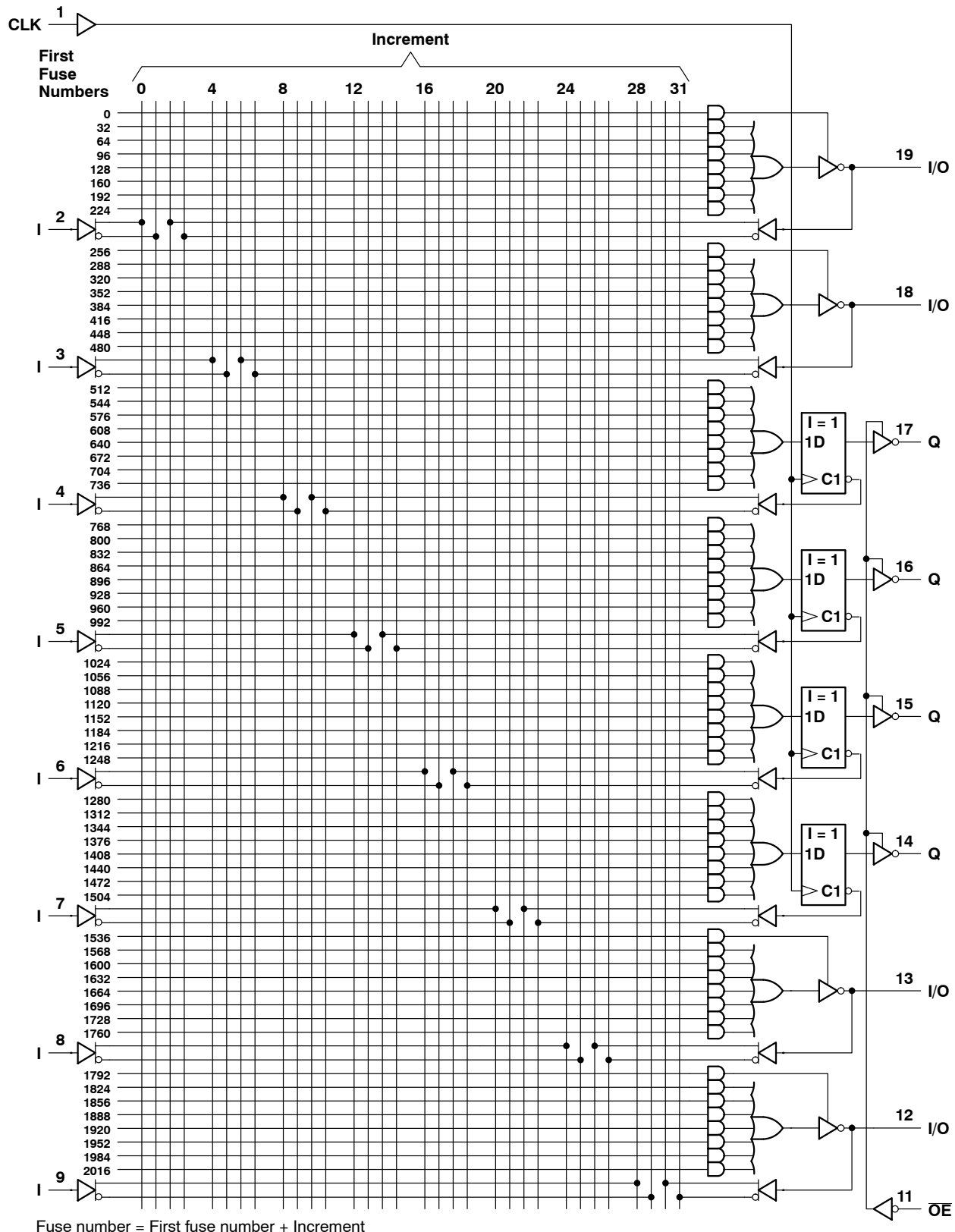


Fuse number = First fuse number + Increment

TIBPAL16L8-15M, TIBPAL16R4-15M HIGH-PERFORMANCE *IMPACT*™ PAL® CIRCUITS

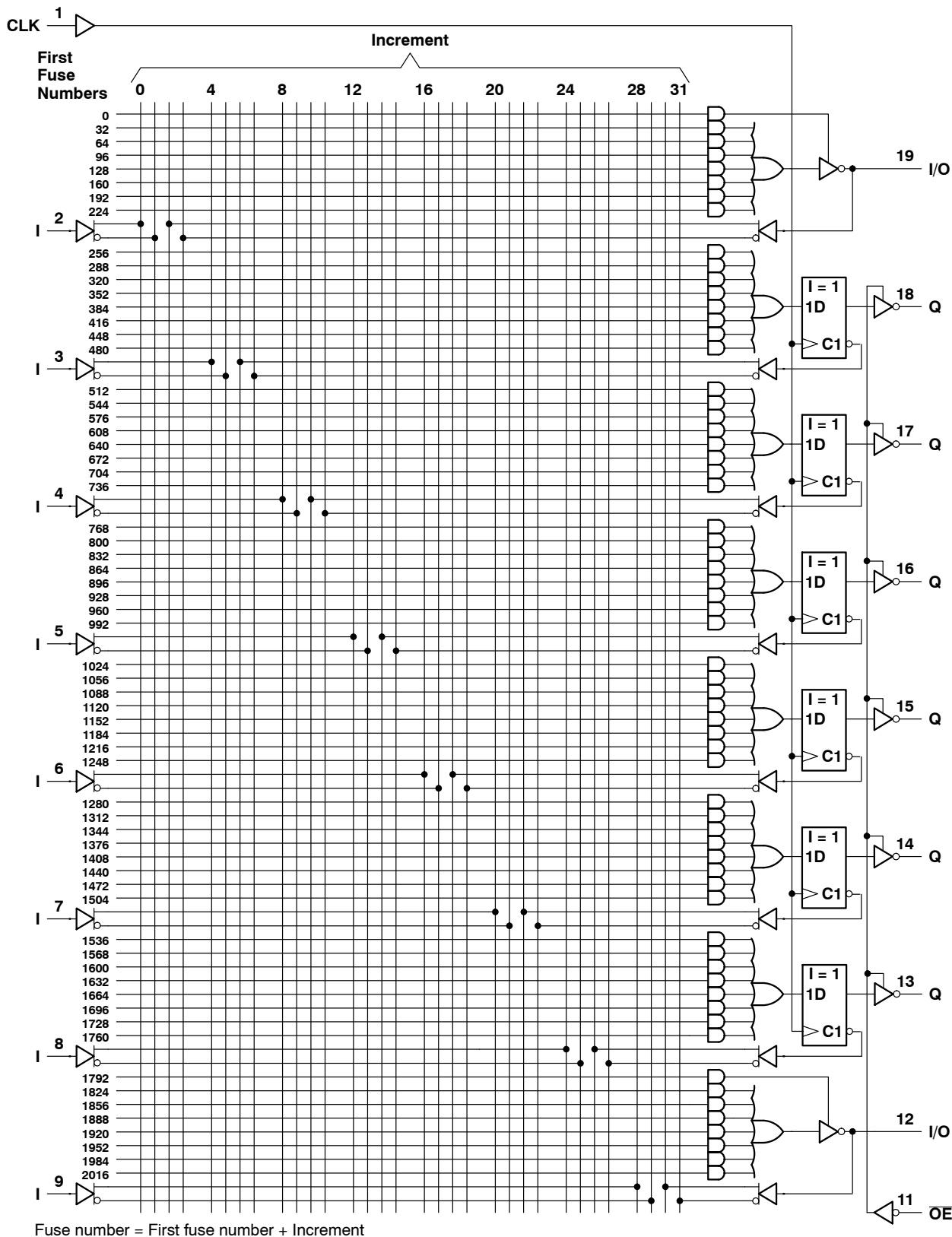
SRPS018B - D3338, JANUARY 1986 - REVISED NOVEMBER 2011

TIBPAL16R4-15M logic diagram (positive logic)



POST OFFICE BOX 655303 • DALLAS, TEXAS 75265

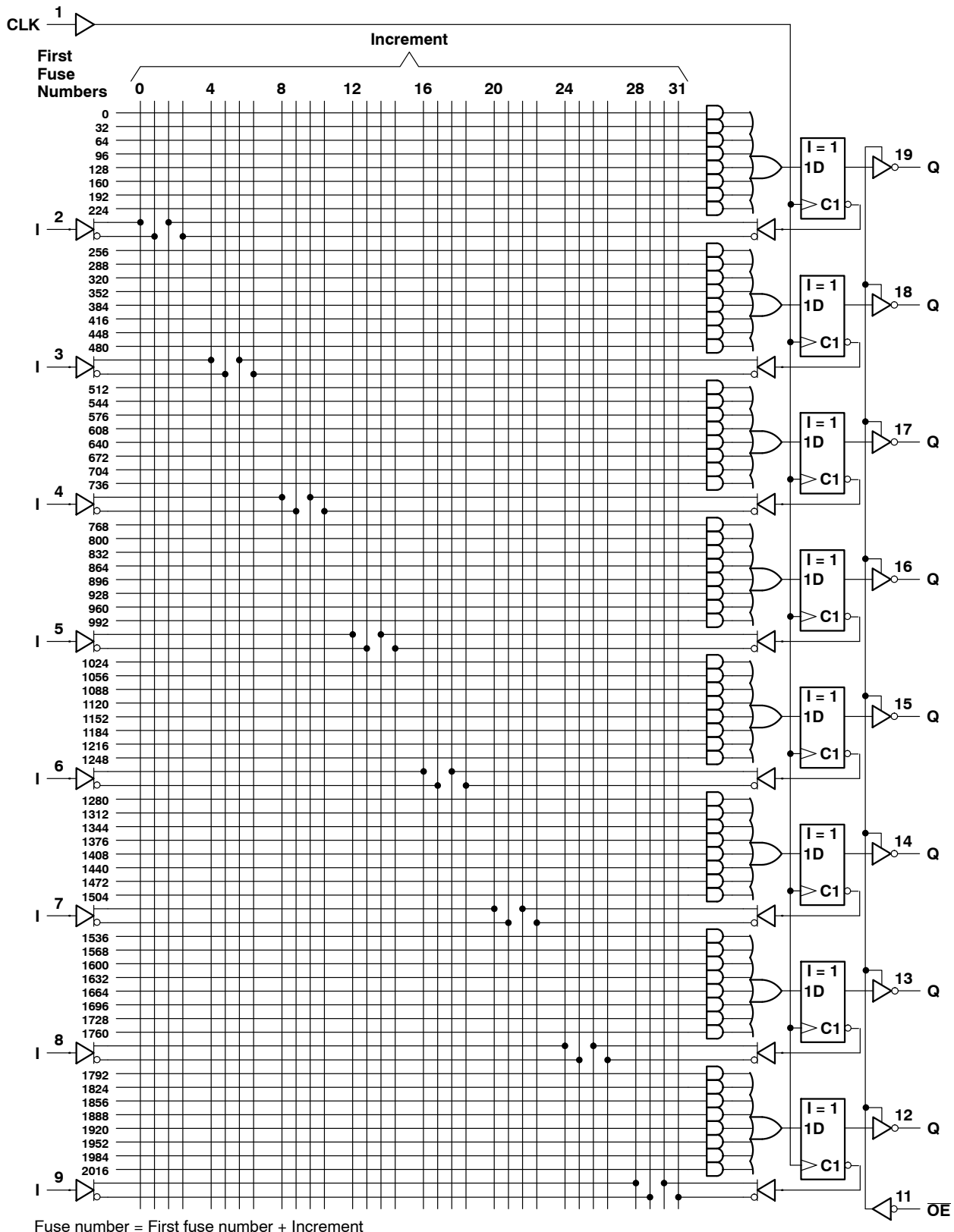
TIBPAL16R6-15M logic diagram (positive logic)



TIBPAL16L8-15M, TIBPAL16R4-15M HIGH-PERFORMANCE *IMPACT*™ PAL® CIRCUITS

SRPS018B - D3338, JANUARY 1986 - REVISED NOVEMBER 2011

TIBPAL16R8-15M logic diagram (positive logic)



TIBPAL16L8-15M, TIBPAL16R4-15M HIGH-PERFORMANCE *IMPACT*™ *PAL*® CIRCUITS

SRPS018B – D3338, JANUARY 1986 – REVISED NOVEMBER 2011

absolute maximum ratings over operating free-air temperature range (unless otherwise noted)†

Supply voltage, V_{CC} (see Note 1)	7 V
Input voltage (see Note 1)	5.5 V
Voltage applied to disabled output (see Note 1)	5.5 V
Operating free-air temperature range	–55°C to 125°C
Storage temperature range	–65°C to 150°C

† Stresses beyond those listed under “absolute maximum ratings” may cause permanent damage to the device. These are stress ratings only, and functional operation of the device at these or any other conditions beyond those indicated under “recommended operating conditions” is not implied. Exposure to absolute-maximum-rated conditions for extended periods may affect device reliability.

NOTE 1: These ratings apply except for programming pins during a programming cycle.

recommended operating conditions

		MIN	NOM	MAX	UNIT
V_{CC}	Supply voltage	4.5	5	5.5	V
V_{IH}	High-level input voltage	2		5.5	V
V_{IL}	Low-level input voltage			0.8	V
I_{OH}	High-level output current			–2	mA
I_{OL}	Low-level output current			12	mA
f_{clock}	Clock frequency	0		50	MHz
t_w	Pulse duration, clock (see Note 2)	High		9	ns
		Low		10	
t_{su}	Setup time, input or feedback before clock↑	15			ns
t_h	Hold time, input or feedback after clock↑	0			ns
T_A	Operating free-air temperature	–55	25	125	°C

NOTE 2: The total clock period of clock high and clock low must not exceed clock frequency, f_{clock} . The minimum pulse durations specified are only for clock high or low, but not for both simultaneously.

electrical characteristics over recommended operating free-air temperature range

PARAMETER	TEST CONDITIONS	TIBPAL16R4-15M			UNIT
		MIN	TYP‡	MAX	
V_{IK}	$V_{CC} = 4.5$ V, $I_I = -18$ mA			–1.5	V
V_{OH}	$V_{CC} = 4.5$ V, $I_{OH} = -2$ mA	2.4	3.3		V
V_{OL}	$V_{CC} = 4.5$ V, $I_{OL} = 12$ mA		0.35	0.5	V
I_{OZH}	Outputs			20	μ A
	I/O ports	$V_{CC} = 5.5$ V, $V_O = 2.7$ V		100	
I_{OZL}	Outputs			–20	μ A
	I/O ports	$V_{CC} = 5.5$ V, $V_O = 0.4$ V		–250	
I_I	Pin 1, 11			0.2	mA
	All others	$V_{CC} = 5.5$ V, $V_I = 5.5$ V		0.1	
I_{IH}	Pin 1, 11			50	μ A
	I/O ports	$V_{CC} = 5.5$ V, $V_I = 2.7$ V		100	
	All others			25	
I_{IL}	$V_{CC} = 5.5$ V, $V_I = 0.4$ V			–0.25	mA
I_{OS}^{\S}	$V_{CC} = 5.5$ V, $V_O = 0.5$ V	–30		–250	mA
I_{CC}	$V_{CC} = 5.5$ V, $V_I = 0$, Outputs open		170	220	mA

‡ All typical values are at $V_{CC} = 5$ V, $T_A = 25^\circ\text{C}$.

§ Not more than one output should be shorted at a time and the duration of the short circuit should not exceed one second. Set V_O at 0.5 V to avoid test equipment degradation.



TIBPAL16L8-15M, TIBPAL16R4-15M HIGH-PERFORMANCE *IMPACT*™ *PAL*® CIRCUITS

SRPS018B – D3338, JANUARY 1986 – REVISED NOVEMBER 2011

electrical characteristics over recommended operating free-air temperature range

PARAMETER	TEST CONDITIONS		TIBPAL16L8-15M TIBPAL16R6-15M TIBPAL16R8-15M			UNIT
			MIN	TYP†	MAX	
V _{IK}	V _{CC} = 4.5 V,	I _I = -18 mA	-1.5			V
V _{OH}	V _{CC} = 4.5 V,	I _{OH} = -2 mA	2.4	3.3		V
V _{OL}	V _{CC} = 4.5 V,	I _{OL} = 12 mA	0.35	0.5		V
I _{OZH}	Outputs	V _{CC} = 5.5 V, V _O = 2.7 V	20			μA
	I/O ports		100			
I _{OZL}	Outputs	V _{CC} = 5.5 V, V _O = 0.4 V	-20			μA
	I/O ports		-250			
I _I	Pin 1, 11	V _{CC} = 5.5 V, V _I = 5.5 V	0.2			mA
	All others		0.1			
I _{IH}	Pin 1, 11	V _{CC} = 5.5 V, V _I = 2.7 V	50			μA
	I/O ports		100			
	All others		20			
I _{IL}	I/O ports	V _{CC} = 5.5 V, V _I = 0.4 V	-0.25			mA
	All others		-0.2			
I _{OS} ‡	V _{CC} = 5.5 V,	V _O = 0.5 V	-30		-250	mA
I _{CC}	V _{CC} = 5.5 V,	V _I = 0, Outputs open	170		220	mA

† All typical values are at V_{CC} = 5 V, T_A = 25°C.

‡ Not more than one output should be shorted at a time and the duration of the short circuit should not exceed one second. Set V_O at 0.5 V to avoid test equipment degradation.

switching characteristics over recommended ranges of supply voltage and operating free-air temperature (unless otherwise noted)

PARAMETER	FROM (INPUT)	TO (OUTPUT)	TEST CONDITIONS	MIN	TYP†	MAX	UNIT
f _{max} §			R1 = 390 Ω, R2 = 750 Ω, See Figure 1	50			MHz
t _{pd}	I, I/O	O, I/O		8	15		ns
t _{pd}	CLK↑	Q		7	12		ns
t _{en}	OE↓	Q		8	12		ns
t _{dis}	OE↑	Q		7	12		ns
t _{en}	I, I/O	O, I/O		8	15		ns
t _{dis}	I, I/O	O, I/O		8	15		ns

† All typical values are at V_{CC} = 5 V, T_A = 25°C.

§ Maximum operating frequency and propagation delay are specified for the basic building block. When using feedback, limits must be calculated accordingly.



programming information

Texas Instruments programmable logic devices can be programmed using widely available software and inexpensive device programmers.

The TIBPAL16R4-15M with date codes prior to 9616A must be programmed according to programming algorithms/specifications corresponding to the TIBPAL16R4-12C. The TIBPAL16R4-15M with date code 9616A or newer must be programmed according to programming algorithms/specifications corresponding to the TIBPAL16R4-10C.

Regardless of date code, the TIBPAL16L8-15M, TIBPAL16R6-15M, and TIBPAL16R8-15M must be programmed according to programming algorithms/specifications corresponding to the TIBPAL16L8-12C, TIBPAL16R6-12C, and TIBPAL16R8-12C, respectively. Failure to do so may damage the devices.

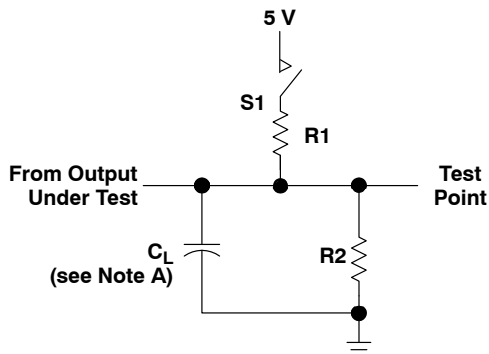
Complete programming specifications, algorithms, and the latest information on hardware, software, and firmware are available upon request. Information on programmers capable of programming Texas Instruments programmable logic is also available, upon request, from the nearest TI field sales office, local authorized TI distributor, or by calling Texas Instruments at (214) 997-5666.

Table 1. Programming Reference Table
(see Note 3)

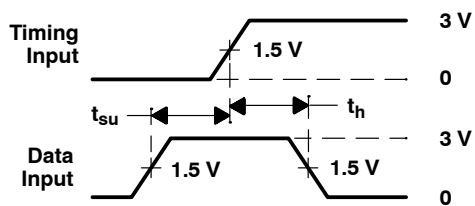
DEVICE	DESC SMD NUMBER	FAMILY/PINOUT CODE
TIBPAL16L8-15MJB	5962-8515509RA	9A/17
TIBPAL16L8-15MFKB	5962-85155092A	9A/717
TIBPAL16L8-15MWB	5962-8515509SA	9A/17
TIBPAL16R4-15MJB	5962-8515512RA	A1/24
TIBPAL16R4-15MFKB	5962-85155122A	0A1/724
TIBPAL16R4-15MWB	5962-8515512SA	A1/24
TIBPAL16R6-15MJB	5962-8515511RA	9A/24
TIBPAL16R6-15MFKB	5962-85155112A	9A/724
TIBPAL16R6-15MWB	5962-8515511SA	9A/24
TIBPAL16R8-15MJB	5962-8515510RA	9A/24
TIBPAL16R8-15MFKB	5962-85155102A	9A/724
TIBPAL16R8-15MWB	5962-8515510SA	9A/24

NOTE 3: Programming information for TIBPAL16R4-15M with date codes 9616A or newer. Programming information for TIBPAL16L8-15M, TIBPAL16R6-15M, and TIBPAL16R8-15M regardless of date code.

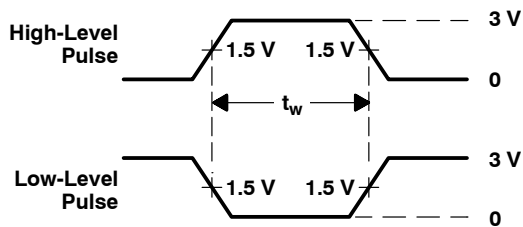
PARAMETER MEASUREMENT INFORMATION



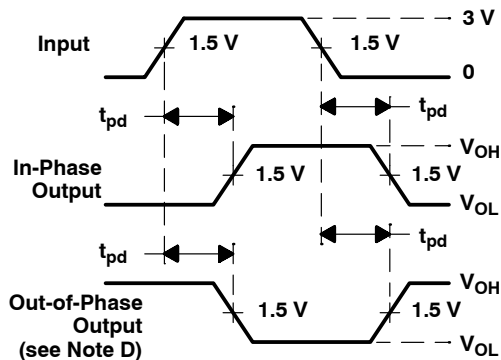
LOAD CIRCUIT FOR 3-STATE OUTPUTS



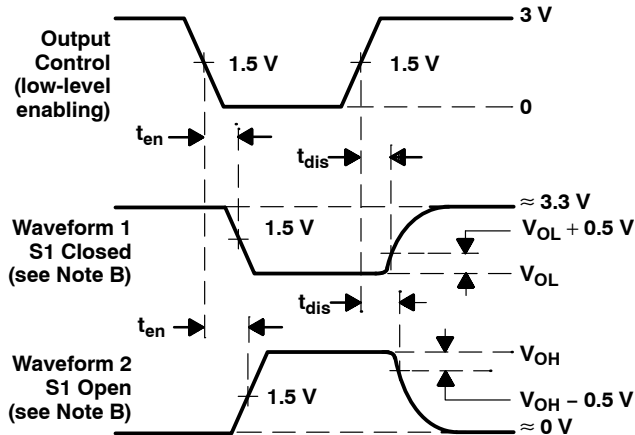
VOLTAGE WAVEFORMS
 SETUP AND HOLD TIMES



VOLTAGE WAVEFORMS
 PULSE DURATIONS



VOLTAGE WAVEFORMS
 PROPAGATION DELAY TIMES



VOLTAGE WAVEFORMS
 ENABLE AND DISABLE TIMES, 3-STATE OUTPUTS

- NOTES: A. C_L includes probe and jig capacitance and is 50 pF for t_{pd} and t_{en} , 5 pF for t_{dis} .
 B. Waveform 1 is for an output with internal conditions such that the output is low except when disabled by the output control. Waveform 2 is for an output with internal conditions such that the output is high except when disabled by the output control.
 C. All input pulses have the following characteristics: $PRR \leq 10$ MHz, t_r and $t_f \leq 2$ ns, duty cycle = 50%.
 D. When measuring propagation delay times of 3-state outputs, switch S1 is closed.
 E. Equivalent loads may be used for testing.

Figure 1. Load Circuit and Voltage Waveforms

PACKAGING INFORMATION

Orderable Device	Status ⁽¹⁾	Package Type	Package Drawing	Pins	Package Qty	Eco Plan ⁽²⁾	Lead/ Ball Finish	MSL Peak Temp ⁽³⁾	Samples (Requires Login)
5962-85155092A	ACTIVE	LCCC	FK	20	1	TBD	Call TI	Call TI	
5962-8515509RA	ACTIVE	CDIP	J	20	1	TBD	Call TI	Call TI	
5962-8515509SA	ACTIVE	CFP	W	20	1	TBD	Call TI	Call TI	
5962-85155102A	OBSOLETE	LCCC	FK	20		TBD	Call TI	Call TI	
5962-8515510RA	OBSOLETE	CDIP	J	20		TBD	Call TI	Call TI	
5962-8515510SA	OBSOLETE	CFP	W	20		TBD	Call TI	Call TI	
5962-85155112A	OBSOLETE	LCCC	FK	20		TBD	Call TI	Call TI	
5962-8515511RA	OBSOLETE	CDIP	J	20		TBD	A42	N / A for Pkg Type	
5962-8515511SA	OBSOLETE	CFP	W	20		TBD	Call TI	Call TI	
5962-85155122A	ACTIVE	LCCC	FK	20	1	TBD	Call TI	Call TI	
5962-8515512RA	ACTIVE	CDIP	J	20	1	TBD	Call TI	Call TI	
5962-8515512SA	ACTIVE	CFP	W	20	1	TBD	Call TI	Call TI	
TIBPAL16L8-15MFKB	ACTIVE	LCCC	FK	20	1	TBD	POST-PLATE	N / A for Pkg Type	
TIBPAL16L8-15MJ	ACTIVE	CDIP	J	20	1	TBD	A42	N / A for Pkg Type	
TIBPAL16L8-15MJB	ACTIVE	CDIP	J	20	1	TBD	A42	N / A for Pkg Type	
TIBPAL16L8-15MWB	ACTIVE	CFP	W	20	1	TBD	Call TI	N / A for Pkg Type	
TIBPAL16R4-15MFKB	ACTIVE	LCCC	FK	20	1	TBD	POST-PLATE	N / A for Pkg Type	
TIBPAL16R4-15MJB	ACTIVE	CDIP	J	20	1	TBD	A42	N / A for Pkg Type	
TIBPAL16R4-15MWB	ACTIVE	CFP	W	20	1	TBD	Call TI	N / A for Pkg Type	
TIBPAL16R6-15MFKB	OBSOLETE	LCCC	FK	20		TBD	Call TI	Call TI	
TIBPAL16R6-15MJ	OBSOLETE	CDIP	J	20		TBD	Call TI	Call TI	
TIBPAL16R6-15MJB	OBSOLETE	CDIP	J	20		TBD	A42	N / A for Pkg Type	
TIBPAL16R6-15MWB	OBSOLETE	CFP	W	20		TBD	Call TI	Call TI	
TIBPAL16R8-15MFKB	OBSOLETE	LCCC	FK	20		TBD	POST-PLATE	N / A for Pkg Type	
TIBPAL16R8-15MJB	OBSOLETE	CDIP	J	20		TBD	Call TI	Call TI	
TIBPAL16R8-15MWB	OBSOLETE	CFP	W	20		TBD	Call TI	Call TI	

⁽¹⁾ The marketing status values are defined as follows:

ACTIVE: Product device recommended for new designs.

LIFEBUY: TI has announced that the device will be discontinued, and a lifetime-buy period is in effect.

NRND: Not recommended for new designs. Device is in production to support existing customers, but TI does not recommend using this part in a new design.

PREVIEW: Device has been announced but is not in production. Samples may or may not be available.

OBSELETE: TI has discontinued the production of the device.

⁽²⁾ Eco Plan - The planned eco-friendly classification: Pb-Free (RoHS), Pb-Free (RoHS Exempt), or Green (RoHS & no Sb/Br) - please check <http://www.ti.com/productcontent> for the latest availability information and additional product content details.

TBD: The Pb-Free/Green conversion plan has not been defined.

Pb-Free (RoHS): TI's terms "Lead-Free" or "Pb-Free" mean semiconductor products that are compatible with the current RoHS requirements for all 6 substances, including the requirement that lead not exceed 0.1% by weight in homogeneous materials. Where designed to be soldered at high temperatures, TI Pb-Free products are suitable for use in specified lead-free processes.

Pb-Free (RoHS Exempt): This component has a RoHS exemption for either 1) lead-based flip-chip solder bumps used between the die and package, or 2) lead-based die adhesive used between the die and leadframe. The component is otherwise considered Pb-Free (RoHS compatible) as defined above.

Green (RoHS & no Sb/Br): TI defines "Green" to mean Pb-Free (RoHS compatible), and free of Bromine (Br) and Antimony (Sb) based flame retardants (Br or Sb do not exceed 0.1% by weight in homogeneous material)

⁽³⁾ MSL, Peak Temp. -- The Moisture Sensitivity Level rating according to the JEDEC industry standard classifications, and peak solder temperature.

Important Information and Disclaimer: The information provided on this page represents TI's knowledge and belief as of the date that it is provided. TI bases its knowledge and belief on information provided by third parties, and makes no representation or warranty as to the accuracy of such information. Efforts are underway to better integrate information from third parties. TI has taken and continues to take reasonable steps to provide representative and accurate information but may not have conducted destructive testing or chemical analysis on incoming materials and chemicals. TI and TI suppliers consider certain information to be proprietary, and thus CAS numbers and other limited information may not be available for release.

In no event shall TI's liability arising out of such information exceed the total purchase price of the TI part(s) at issue in this document sold by TI to Customer on an annual basis.

J (R-GDIP-T**)

14 LEADS SHOWN

CERAMIC DUAL IN-LINE PACKAGE



DIM \ PINS **	14	16	18	20
A	0.300 (7,62) BSC	0.300 (7,62) BSC	0.300 (7,62) BSC	0.300 (7,62) BSC
B MAX	0.785 (19,94)	.840 (21,34)	0.960 (24,38)	1.060 (26,92)
B MIN	—	—	—	—
C MAX	0.300 (7,62)	0.300 (7,62)	0.310 (7,87)	0.300 (7,62)
C MIN	0.245 (6,22)	0.245 (6,22)	0.220 (5,59)	0.245 (6,22)



4040083/F 03/03

- NOTES:
- All linear dimensions are in inches (millimeters).
 - This drawing is subject to change without notice.
 - This package is hermetically sealed with a ceramic lid using glass frit.
 - Index point is provided on cap for terminal identification only on press ceramic glass frit seal only.
 - Falls within MIL STD 1835 GDIP1-T14, GDIP1-T16, GDIP1-T18 and GDIP1-T20.

W (R-GDFP-F20)

CERAMIC DUAL FLATPACK



- NOTES:
- A. All linear dimensions are in inches (millimeters).
 - B. This drawing is subject to change without notice.
 - C. This package can be hermetically sealed with a ceramic lid using glass frit.
 - D. Index point is provided on cap for terminal identification only.
 - E. Falls within Mil-Std 1835 GDFP2-F20

FK (S-CQCC-N**)

LEADLESS CERAMIC CHIP CARRIER

28 TERMINAL SHOWN



NO. OF TERMINALS **	A		B	
	MIN	MAX	MIN	MAX
20	0.342 (8,69)	0.358 (9,09)	0.307 (7,80)	0.358 (9,09)
28	0.442 (11,23)	0.458 (11,63)	0.406 (10,31)	0.458 (11,63)
44	0.640 (16,26)	0.660 (16,76)	0.495 (12,58)	0.560 (14,22)
52	0.740 (18,78)	0.761 (19,32)	0.495 (12,58)	0.560 (14,22)
68	0.938 (23,83)	0.962 (24,43)	0.850 (21,6)	0.858 (21,8)
84	1.141 (28,99)	1.165 (29,59)	1.047 (26,6)	1.063 (27,0)



4040140/D 01/11

- NOTES:
- All linear dimensions are in inches (millimeters).
 - This drawing is subject to change without notice.
 - This package can be hermetically sealed with a metal lid.
 - Falls within JEDEC MS-004

IMPORTANT NOTICE

Texas Instruments Incorporated and its subsidiaries (TI) reserve the right to make corrections, modifications, enhancements, improvements, and other changes to its products and services at any time and to discontinue any product or service without notice. Customers should obtain the latest relevant information before placing orders and should verify that such information is current and complete. All products are sold subject to TI's terms and conditions of sale supplied at the time of order acknowledgment.

TI warrants performance of its hardware products to the specifications applicable at the time of sale in accordance with TI's standard warranty. Testing and other quality control techniques are used to the extent TI deems necessary to support this warranty. Except where mandated by government requirements, testing of all parameters of each product is not necessarily performed.

TI assumes no liability for applications assistance or customer product design. Customers are responsible for their products and applications using TI components. To minimize the risks associated with customer products and applications, customers should provide adequate design and operating safeguards.

TI does not warrant or represent that any license, either express or implied, is granted under any TI patent right, copyright, mask work right, or other TI intellectual property right relating to any combination, machine, or process in which TI products or services are used. Information published by TI regarding third-party products or services does not constitute a license from TI to use such products or services or a warranty or endorsement thereof. Use of such information may require a license from a third party under the patents or other intellectual property of the third party, or a license from TI under the patents or other intellectual property of TI.

Reproduction of TI information in TI data books or data sheets is permissible only if reproduction is without alteration and is accompanied by all associated warranties, conditions, limitations, and notices. Reproduction of this information with alteration is an unfair and deceptive business practice. TI is not responsible or liable for such altered documentation. Information of third parties may be subject to additional restrictions.

Resale of TI products or services with statements different from or beyond the parameters stated by TI for that product or service voids all express and any implied warranties for the associated TI product or service and is an unfair and deceptive business practice. TI is not responsible or liable for any such statements.

TI products are not authorized for use in safety-critical applications (such as life support) where a failure of the TI product would reasonably be expected to cause severe personal injury or death, unless officers of the parties have executed an agreement specifically governing such use. Buyers represent that they have all necessary expertise in the safety and regulatory ramifications of their applications, and acknowledge and agree that they are solely responsible for all legal, regulatory and safety-related requirements concerning their products and any use of TI products in such safety-critical applications, notwithstanding any applications-related information or support that may be provided by TI. Further, Buyers must fully indemnify TI and its representatives against any damages arising out of the use of TI products in such safety-critical applications.

TI products are neither designed nor intended for use in military/aerospace applications or environments unless the TI products are specifically designated by TI as military-grade or "enhanced plastic." Only products designated by TI as military-grade meet military specifications. Buyers acknowledge and agree that any such use of TI products which TI has not designated as military-grade is solely at the Buyer's risk, and that they are solely responsible for compliance with all legal and regulatory requirements in connection with such use.

TI products are neither designed nor intended for use in automotive applications or environments unless the specific TI products are designated by TI as compliant with ISO/TS 16949 requirements. Buyers acknowledge and agree that, if they use any non-designated products in automotive applications, TI will not be responsible for any failure to meet such requirements.

Following are URLs where you can obtain information on other Texas Instruments products and application solutions:

Products

Audio	www.ti.com/audio
Amplifiers	amplifier.ti.com
Data Converters	dataconverter.ti.com
DLP® Products	www.dlp.com
DSP	dsp.ti.com
Clocks and Timers	www.ti.com/clocks
Interface	interface.ti.com
Logic	logic.ti.com
Power Mgmt	power.ti.com
Microcontrollers	microcontroller.ti.com
RFID	www.ti-rfid.com
OMAP Mobile Processors	www.ti.com/omap
Wireless Connectivity	www.ti.com/wirelessconnectivity

Applications

Communications and Telecom	www.ti.com/communications
Computers and Peripherals	www.ti.com/computers
Consumer Electronics	www.ti.com/consumer-apps
Energy and Lighting	www.ti.com/energy
Industrial	www.ti.com/industrial
Medical	www.ti.com/medical
Security	www.ti.com/security
Space, Avionics and Defense	www.ti.com/space-avionics-defense
Transportation and Automotive	www.ti.com/automotive
Video and Imaging	www.ti.com/video

TI E2E Community Home Page

e2e.ti.com

Mailing Address: Texas Instruments, Post Office Box 655303, Dallas, Texas 75265
Copyright © 2011, Texas Instruments Incorporated