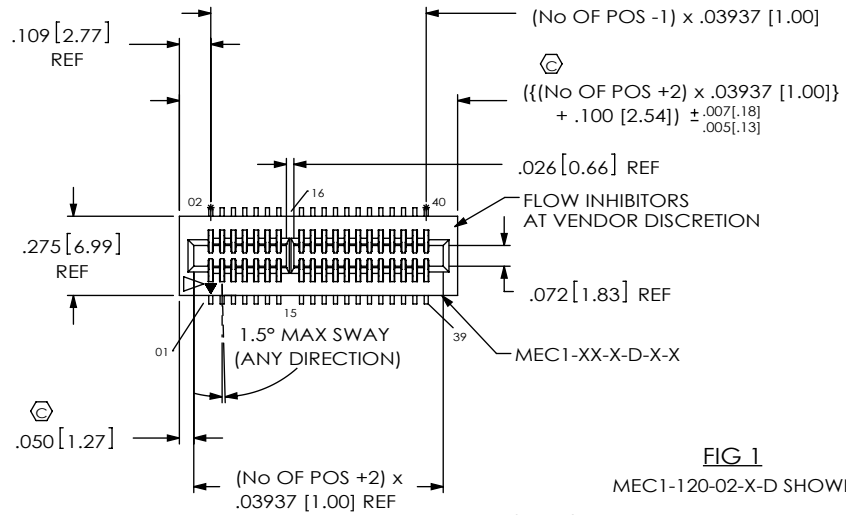


DO NOT SCALE FROM THIS PRINT



MEC1-1XX-XX-XX-D-XX-XX

No OF POSITIONS
05, 08, 10, 20, 30, 40, 50, 60 & 70 (PER ROW, SEE TABLE 2)

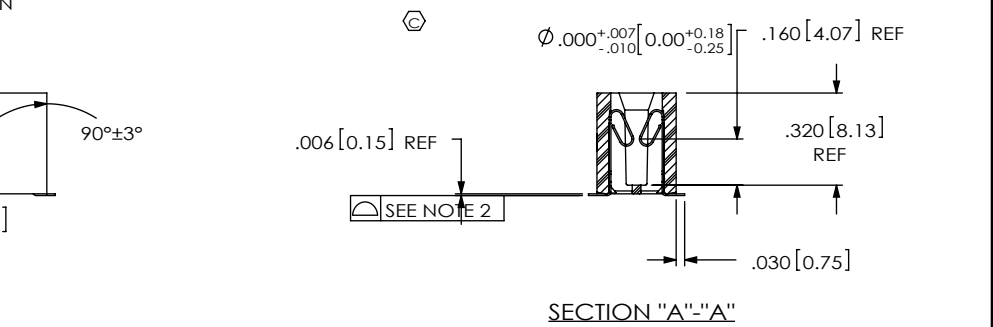
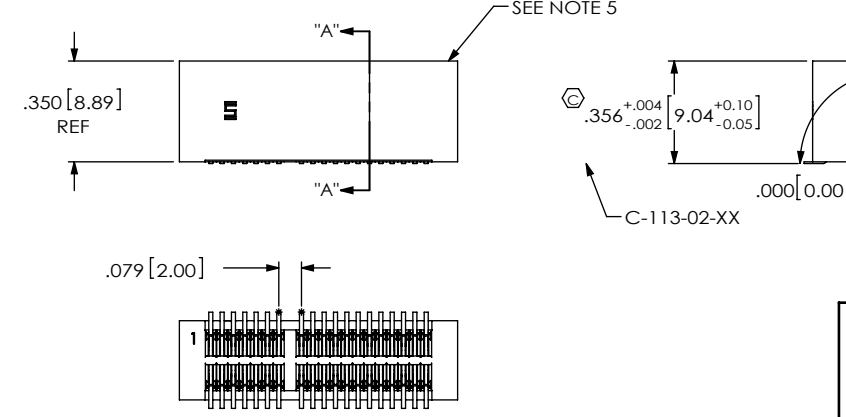
CARD THICKNESS
-02: .062 [1.58] THICK CARD (USE MEC1-XX-S-D-X-X)

PLATING SPECIFICATION
-F: 3μ" FLASH GOLD IN CONTACT AREA, MATTE TIN ON TAIL
-L: 10μ" LIGHT GOLD IN CONTACT AREA, MATTE TIN ON TAIL
-S: 30μ" SELECTIVE GOLD IN CONTACT AREA, MATTE TIN ON TAIL
-FM: 3μ" FLASH GOLD IN CONTACT AREA, MATTE TIN ON TAIL
-LM: 10μ" LIGHT GOLD IN CONTACT AREA, MATTE TIN ON TAIL
-SM: 30μ" SELECTIVE GOLD IN CONTACT AREA, MATTE TIN ON TAIL

OTHER OPTIONS
-LC: LOCKING CLIP (SEE NOTE 8) (SEE FIG 2) (USE LC-05-TM)
-A: ALIGNMENT PIN (MOLDED, SEE FIG 4, SHT 2) (USE MEC1-XX-X-D-X-A)
-K: POLYIMIDE FILM PAD (SEE FIG 6, SHT 2) (USE K-DOT-.310-.406-.005)
-TR: TAPE & REEL PACKAGING (N/A IN 70 POSITION) (SEE FIG 5, SHT 2)

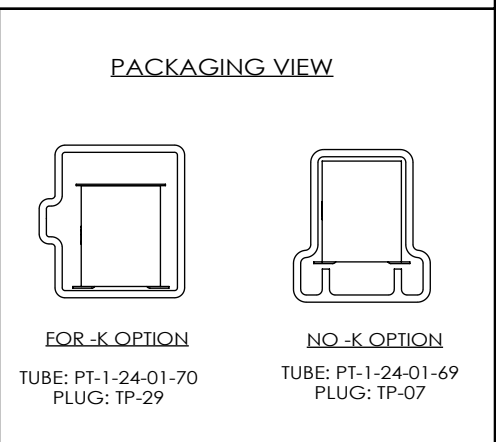
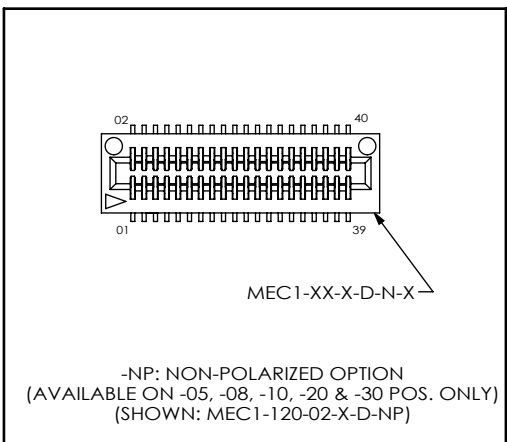
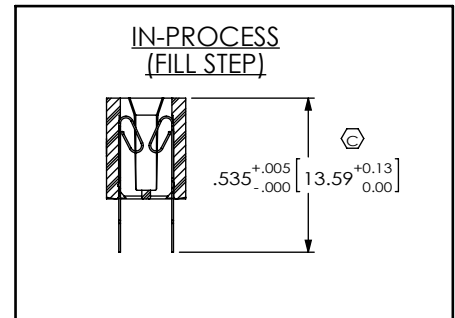
POLARIZED OPTION (SEE TABLE 2)
-BLANK: BODY IS POLARIZED
-NP: NO POLARIZATION (-05 THRU -30 ONLY) (USE MEC1-XX-X-D-N-X)

ROW SPECIFICATION
-D: DOUBLE ROW (USE MEC1-XX-X-D-X-X)



No OF POS	POSITIONS POLARIZED
-05	3, 4
-08	5, 6
-10	13 & 14
-20	15, 16
-30	21, 22
-40	31, 32
-50	41, 42
-60	31, 32, 63 & 64
-70	53, 54, 115 & 116

- NOTES:
- MINIMUM PUSHOUT FORCE: 10 oz.
 - COPLANARITY: POS -05 THRU -26: .004 [.10]
POS -27 THRU -70: .006 [.15]
 - ⊙ REPRESENTS A CRITICAL DIMENSION.
 - PACKAGE ALL POSITIONS IN TUBES.
(WITH -K OPTION, USE PT-1-24-01-70 TUBE & TP-29 TUBE PLUG)
(WITHOUT -K OPTION, USE PT-1-24-01-69 TUBE & TP-07 TUBE PLUG)
 - MAXIMUM CUT FLASH: .010; FLASH NOT TO EXTEND BELOW LEADS.
 - MAXIMUM ALLOWABLE BOW: .002 INCH/INCH AFTER ASSEMBLY.
 - MAXIMUM BURR: .003 [.08], BURR DIRECTION TO BE OPPOSITE OF SOLDER PAD AREA
 - DUE TO THE HIGH AMOUNT OF INSERTION FORCE NEEDED, THE -LC OPTION IS NOT COMPATIBLE WITH AUTO PLACEMENT. SAMTEC RECOMMENDS MANUAL PLACEMENT FOR ALL ASSEMBLIES WITH THE -LC OPTION.



UNLESS OTHERWISE SPECIFIED, DIMENSIONS ARE IN INCHES.

TOLERANCES ARE:

DECIMALS	ANGLES
.XX: ±.01 [.3]	2°
.XXX: ±.005 [.13]	
.XXXX: ±.0015 [.038]	

MATERIAL: DO NOT SCALE DRAWING SHEET SCALE: 1.5:1

INSULATOR: VECTRA E130i COLOR: BLACK

CONTACT: BeCu 190 HM

F:\DWG\MISC\MKTG\MEC1-1XX-XX-XX-D-XX-XX-MKT.SLDRW

PROPRIETARY NOTE
THIS DOCUMENT CONTAINS CONFIDENTIAL AND PROPRIETARY INFORMATION AND ALL DESIGN, MANUFACTURING, REPRODUCTION, USE, PATENT RIGHTS AND SALES RIGHTS ARE EXPRESSLY RESERVED BY SAMTEC, INC. THIS DOCUMENT SHALL NOT BE DISCLOSED, IN WHOLE OR PART, TO ANY UNAUTHORIZED PERSON OR ENTITY NOR REPRODUCED, TRANSFERRED OR INCORPORATED IN ANY OTHER PROJECT IN ANY MANNER WITHOUT THE EXPRESS WRITTEN CONSENT OF SAMTEC, INC.

samtec

520 PARK EAST BLVD, NEW ALBANY, IN 47150
PHONE: 812-944-6733 FAX: 812-948-5047
e-Mail: info@SAMTEC.com code: 5332

DESCRIPTION:
1mm MINI-EDGE CARD ASSEMBLY

DWG. NO. MEC1-1XX-XX-XX-D-XX-XX

BY: KEVIN B 5/11/2000 SHEET 1 OF 2

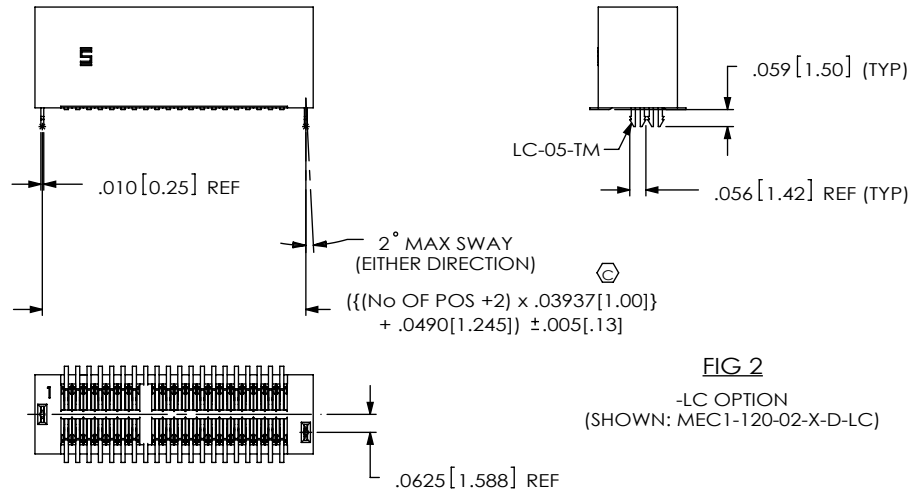


FIG 2
-LC OPTION
(SHOWN: MEC1-120-02-X-D-LC)

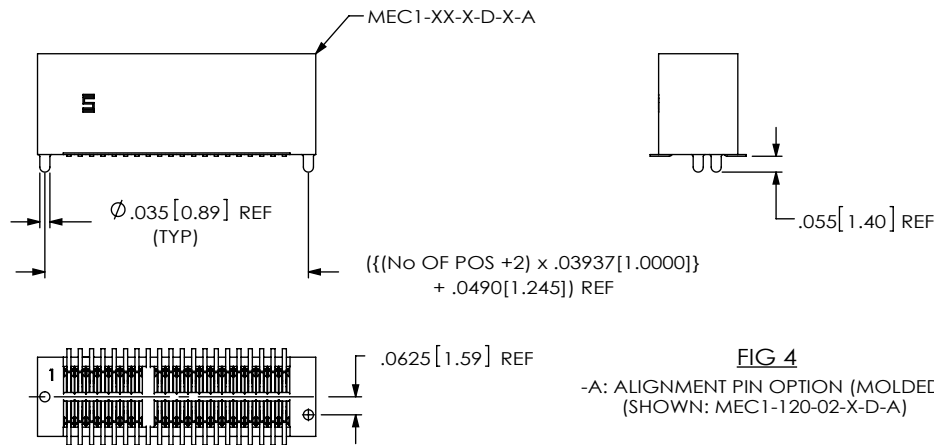


FIG 4
-A: ALIGNMENT PIN OPTION (MOLDED)
(SHOWN: MEC1-120-02-X-D-A)

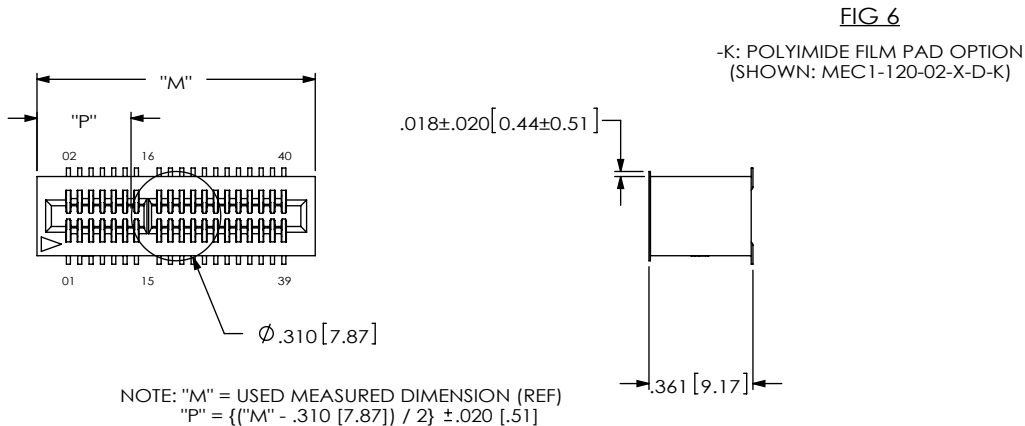
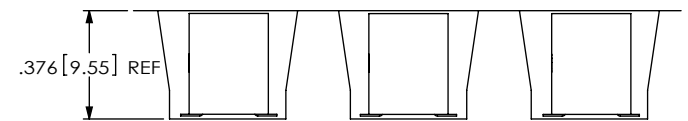
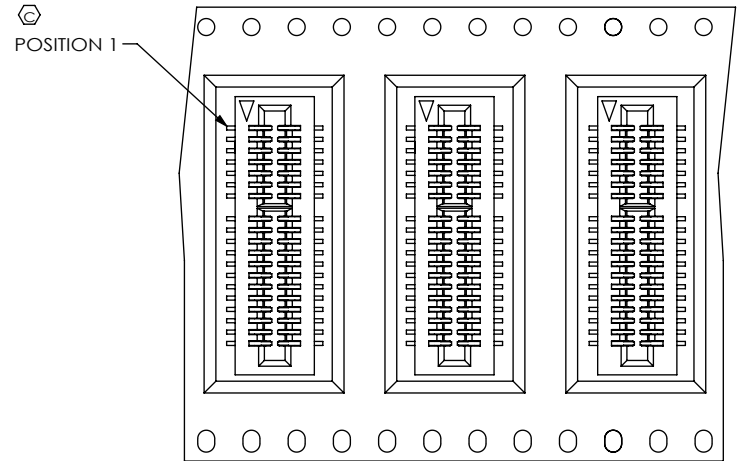


FIG 6
-K: POLYIMIDE FILM PAD OPTION
(SHOWN: MEC1-120-02-X-D-K)

FIG 5
-TR: TAPE & REEL PACKAGING VIEW
(NOT DRAWN TO SCALE)



USER DIRECTION OF UNREELING →

F:\DWG\MISC\MKTG\MEC1-1XX-XX-XX-D-XX-XX-MKT.SLDDRW

PROPRIETARY NOTE
THIS DOCUMENT CONTAINS CONFIDENTIAL AND PROPRIETARY INFORMATION AND ALL DESIGN, MANUFACTURING, REPRODUCTION, USE, PATENT RIGHTS AND SALES RIGHTS ARE EXPRESSLY RESERVED BY SAMTEC, INC. THIS DOCUMENT SHALL NOT BE DISCLOSED, IN WHOLE OR PART, TO ANY UNAUTHORIZED PERSON OR ENTITY NOR REPRODUCED, TRANSFERRED OR INCORPORATED IN ANY OTHER PROJECT IN ANY MANNER WITHOUT THE EXPRESS WRITTEN CONSENT OF SAMTEC, INC.

DO NOT SCALE DRAWING

SHEET SCALE: 1.5:1



520 PARK EAST BLVD, NEW ALBANY, IN 47150
PHONE: 812-944-6733 FAX: 812-948-5047
e-Mail: info@SAMTEC.com code: 55322

DESCRIPTION:
1mm MINI-EDGE CARD ASSEMBLY

DWG. NO.
MEC1-1XX-XX-XX-D-XX-XX

BY: KEVIN B 5/11/2000 SHEET 2 OF 2