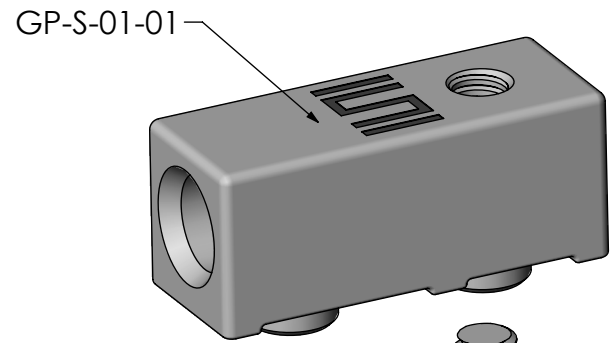


DO NOT SCALE FROM THIS PRINT



DESIGNED & DIMENSIONED IN INCHES[MILLIMETERS]

GPSK-XX-XX  
 SOCKET  
 LEAD STYLE  
 -01: 4 THRU 10 ROW SEAF-RA  
 \*02: 4 THRU 10 ROW SEAF-RA  
 THREADING  
 -01: M3 x 0.5

\* = NOT RELEASED FOR PRODUCTION

GPSK-01-01 SHOWN

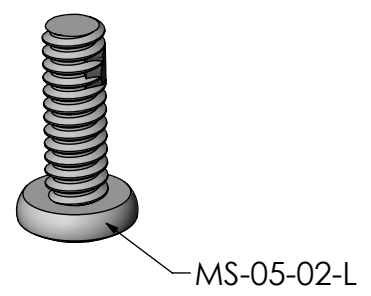


TABLE 1

	"A"	"B"
MS-04-02-L	.232	.157
MS-05-02-L	.389	.315

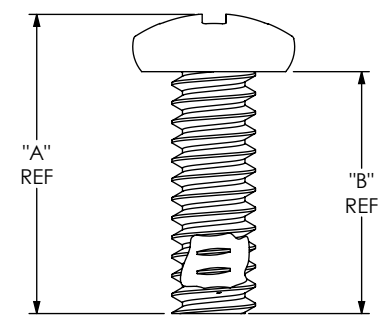


FIG 1  
MS-XX-02-L

GP-S-02-01

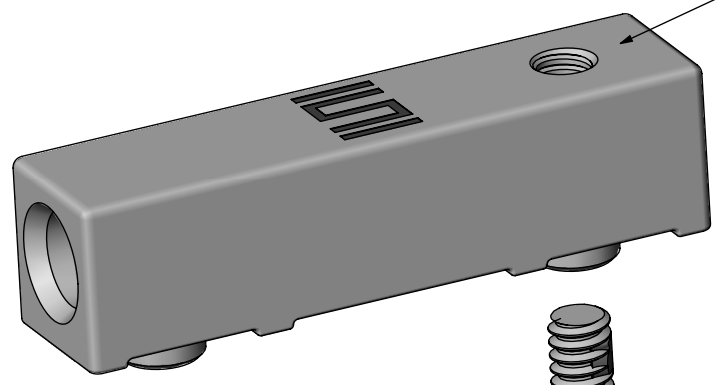


TABLE 2

	"C"	"D"
GP-S-01-01	0.75	.375
GP-S-02-01	1.20	.800

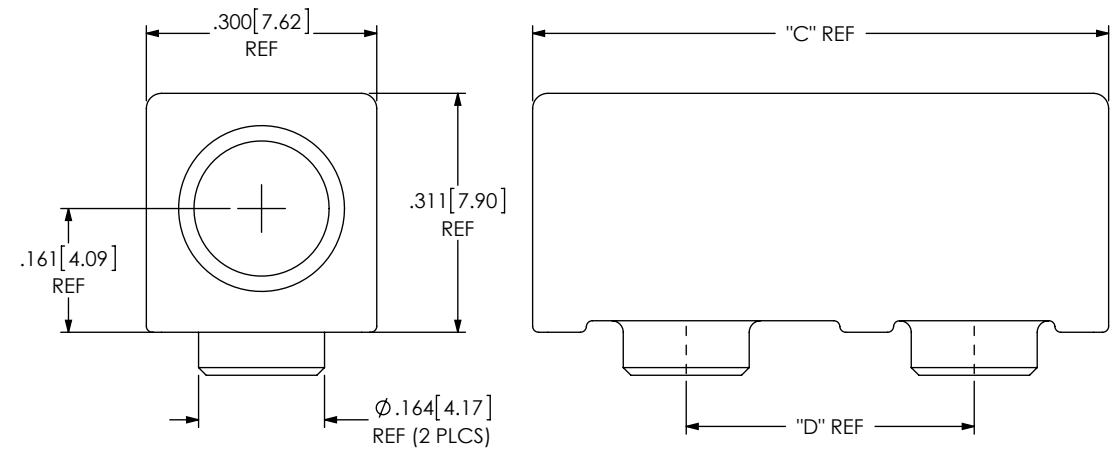
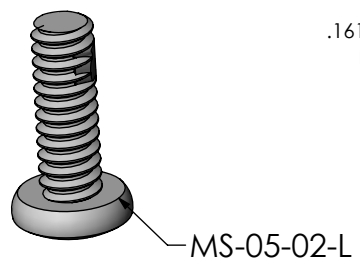
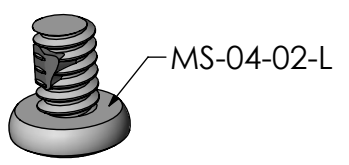


FIG 2  
GP-S-XX-01



GPSK-02-01 SHOWN

NOTES:

- PARTS TO BE PACKAGED IN BAGS AS A KIT.
- GPSK-01-01 KIT TO INCLUDE ONE GP-S-01-01 AND ONE MS-05-02-L.  
GPSK-02-01 KIT TO INCLUDE ONE GP-S-02-01, ONE MS-05-02-L AND ONE MS-04-02-L.
- PARTS TO BE USED WITH PCB THICKNESSES OF .062" TO .125".

UNLESS OTHERWISE SPECIFIED, DIMENSIONS ARE IN INCHES. TOLERANCES ARE:  
 DECIMALS ANGLES  
 .XX: ±.01 [.3] 2°  
 .XXX: ±.005 [.13]  
 .XXXX: ±.0020 [.051]

PROPRIETARY NOTE  
 THIS DOCUMENT CONTAINS INFORMATION CONFIDENTIAL AND PROPRIETARY TO SAMTEC, INC. AND SHALL NOT BE REPRODUCED OR TRANSFERRED TO OTHER DOCUMENTS OR DISCLOSED TO OTHERS OR USED FOR ANY PURPOSE OTHER THAN THAT WHICH IT WAS OBTAINED WITHOUT THE EXPRESSED WRITTEN CONSENT OF SAMTEC, INC.

**samtec**  
 520 PARK EAST BLVD., NEW ALBANY, IN 47150  
 PHONE: 812-944-6733 FAX: 812-948-5047  
 e-Mail: info@SAMTEC.com code 55322

MATERIAL: DO NOT SCALE DRAWING SHEET SCALE: 3:1  
 SOCKET: ZAMAK 3  
 SCREW: 303 STAINLESS STEEL

DESCRIPTION: SEAF - RA GPK OPTION KIT

DWG. NO. GPSK-XX-XX

BY: VICKY Z 12/23/2010 SHEET 1 OF 1