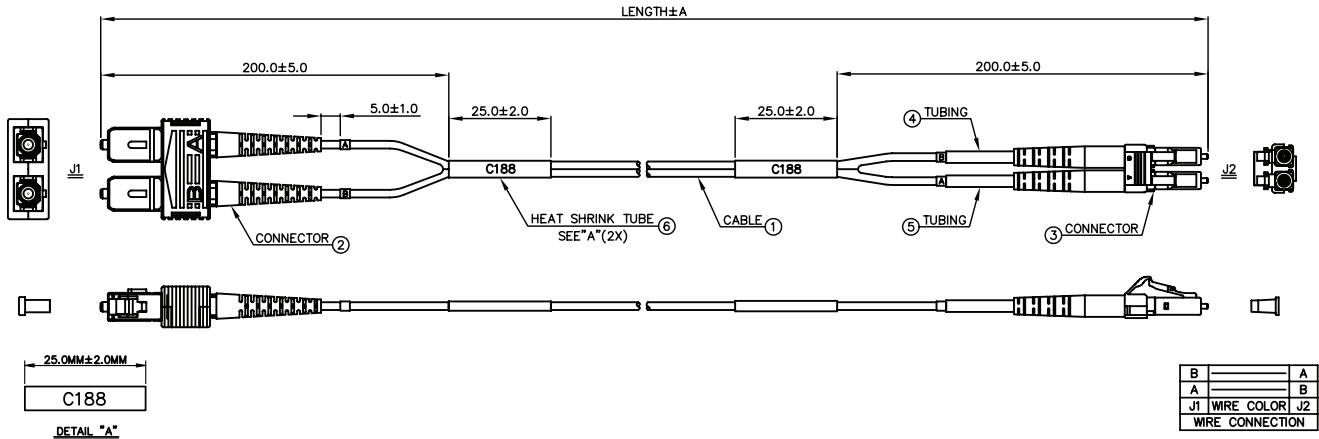
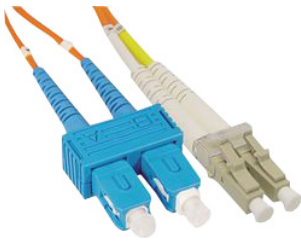


LC to LC Fiber Optic Jumpers 62.5/125 Multimode Duplex

pro-SIGNAL

RoHS
Compliant



Dimensions : Millimetres

No.	Item	Description	Qty.
1	Cable	Optical Fiber, Multi-Mode, 62.5/125, Duplex, Ø2mm Tight, Orange, PVC Jacket.	1PC
2	Connector	SC, Duplex, Multi-Mode, Blue coupling & Boots & Cup	1PC
3	Connector	LC, Duplex, Multi-Mode, Beige Housing, White Boots	1PC
3	Tubing	Heat Shrink Sleeve, Yellow.	1PC
4	Tubing	Heat Shrink Sleeve, White	1PC
5	Heat Shrink Tube	Colour = Black	2PCs

Notes:

New products shall be reference to Bellcore GR-326 Standard.

Insertion Loss : <= 0.2dB Typical (1,300nm)

Part Number Table

Description	Length (Meters)	Part Number
LC to LC Fiber Optic Jumpers, 62.5/125 Multimode Duplex	4	SPC22943
	8	SPC22945
	15	SPC22947
	20	SPC22948
	25	SPC22949
	30	SPC22950

Important Notice : This data sheet and its contents (the "Information") belong to the members of the Premier Farnell group of companies (the "Group") or are licensed to it. No licence is granted for the use of it other than for information purposes in connection with the products to which it relates. No licence of any intellectual property rights is granted. The Information is subject to change without notice and replaces all data sheets previously supplied. The Information supplied is believed to be accurate but the Group assumes no responsibility for its accuracy or completeness, any error in or omission from it or for any use made of it. Users of this data sheet should check for themselves the Information and the suitability of the products for their purpose and not make any assumptions based on information included or omitted. Liability for loss or damage resulting from any reliance on the Information or use of it (including liability resulting from negligence or where the Group was aware of the possibility of such loss or damage arising) is excluded. This will not operate to limit or restrict the Group's liability for death or personal injury resulting from its negligence. pro-SIGNAL is the registered trademark of the Group. © Premier Farnell plc 2012.

www.element14.com
www.farnell.com
www.newark.com
www.cpc.co.uk

pro-SIGNAL