

SN54S182, SN74S182 LOOK-AHEAD CARRY GENERATORS

SDLS206 - DECEMBER 1972 - REVISED MARCH 1988

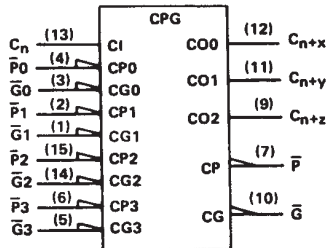
- Directly Compatible for Use With:
SN54LS181/SN74LS181,
SN54S281/SN74S281, SN54S381,
SN74S381, SN54S481/SN74S481

PIN DESIGNATIONS

ALTERNATIVE DESIGNATIONS†	DESIGNATIONS†	PIN NOS.	FUNCTION
$\bar{G}0, \bar{G}1, \bar{G}2, \bar{G}3$	G0, G1, G2, G3	3, 1, 14, 5	CARRY GENERATE INPUTS
$\bar{P}0, \bar{P}1, \bar{P}2, \bar{P}3$	P0, P1, P2, P3	4, 2, 15, 6	CARRY PROPAGATE INPUTS
C_n	\bar{C}_n	13	CARRY INPUT
$C_{n+x}, C_{n+y}, C_{n+z}$	$\bar{C}_{n+x}, \bar{C}_{n+y}, \bar{C}_{n+z}$	12, 11, 9	CARRY OUTPUTS
\bar{G}	Y	10	CARRY GENERATE OUTPUT
\bar{P}	X	7	CARRY PROPAGATE OUTPUT
VCC		16	SUPPLY VOLTAGE
GND		8	GROUND

† Interpretations are illustrated in the 'LS181, 'S181 data sheet.

logic symbol‡



‡ This symbol is in accordance with ANSI/IEEE Std. 91-1984 and IEC Publication 617-12.

Pin numbers shown are for D, J, N, and W packages.

description

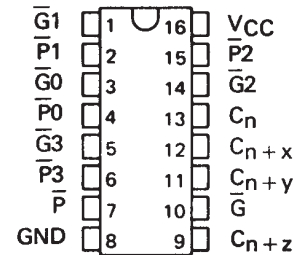
The SN54S182 and SN74S182 are high-speed, look-ahead carry generators capable of anticipating a carry across four binary adders or group of adders. They are cascadable to perform full look-ahead across n-bit adders. Carry, generate-carry, and propagate-carry functions are provided as enumerated in the pin designation table above.

When used in conjunction with the 'LS181 or 'S181 arithmetic logic unit (ALU), these generators provide high-speed carry look-ahead capability for any word length. Each 'S182 generates the look-ahead (anticipated carry) across a group of four ALUs and, in addition, other carry look-ahead circuits may be employed to anticipate carry across sections of four look-ahead packages up to n-bits. The method of cascading 'S182 circuits to perform multilevel look-ahead is illustrated under typical application data.

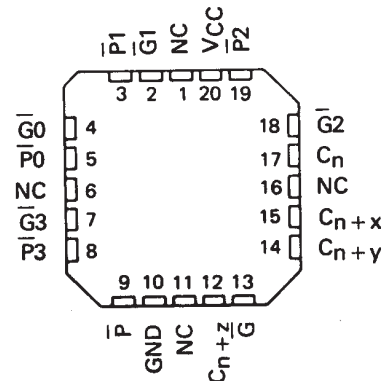
The carry functions (inputs, outputs, generate, and propagate) of the look-ahead generators are implemented in the compatible forms for direct connection to the ALU. Reinterpretations of carry functions as explained on the 'LS181 and 'S181 data sheet are also applicable to and compatible with the look-ahead generator. Logic equations for the 'S182 are:

$$\begin{aligned}
 C_{n+x} &= G0 + P0 C_n & \bar{C}_{n+x} &= \overline{Y0 (X0 + C_n)} \\
 C_{n+y} &= G1 + P1 G0 + P1 P0 C_n & \bar{C}_{n+y} &= \overline{Y1 [X1 + Y0 (X0 + C_n)]} \\
 C_{n+z} &= G2 + P2 G1 + P2 P1 G0 + P2 P1 P0 C_n & \bar{C}_{n+z} &= \overline{Y2 \{ X2 + Y1 [X1 + Y0 (X0 + C_n)] \}} \\
 \bar{G} &= \bar{G}3 + P3 G2 + P3 P2 G1 + P3 P2 P1 G0 & Y &= Y3 (X3 + Y2) (X3 + X2 + Y1) (X3 + X2 + X1 + Y0) \\
 \bar{P} &= \bar{P}3 P2 P1 P0 & X &= X3 + X2 + X1 + X0
 \end{aligned}$$

SN54S182 . . . J OR W PACKAGE
SN74S182 . . . D OR N PACKAGE
(TOP VIEW)



SN54S182 . . . FK PACKAGE
(TOP VIEW)



NC - No internal connection

SN54S182, SN74S182 LOOK-AHEAD CARRY GENERATORS

SDLS206 – DECEMBER 1972 – REVISED MARCH 1988

FUNCTION TABLE FOR \bar{G} OUTPUT

INPUTS							OUTPUT
\bar{G}_3	\bar{G}_2	\bar{G}_1	\bar{G}_0	\bar{P}_3	\bar{P}_2	\bar{P}_1	\bar{G}
L	X	X	X	X	X	X	L
X	L	X	X	L	X	X	L
X	X	L	X	L	L	X	L
X	X	X	L	L	L	L	L
All other combinations							H

FUNCTION TABLE FOR \bar{P} OUTPUT

INPUTS				OUTPUT
\bar{P}_3	\bar{P}_2	\bar{P}_1	\bar{P}_0	\bar{P}
L	L	L	L	L
All other combinations				H

FUNCTION TABLE FOR C_{n+x} OUTPUT

INPUTS			OUTPUT
\bar{G}_0	\bar{P}_0	C_n	C_{n+x}
L	X	X	H
X	L	H	H
All other combinations			L

FUNCTION TABLE FOR C_{n+y} OUTPUT

INPUTS					OUTPUT
\bar{G}_1	\bar{G}_0	\bar{P}_1	\bar{P}_0	C_n	C_{n+y}
L	X	X	X	X	H
X	L	L	X	X	H
X	X	L	L	H	H
All other combinations					L

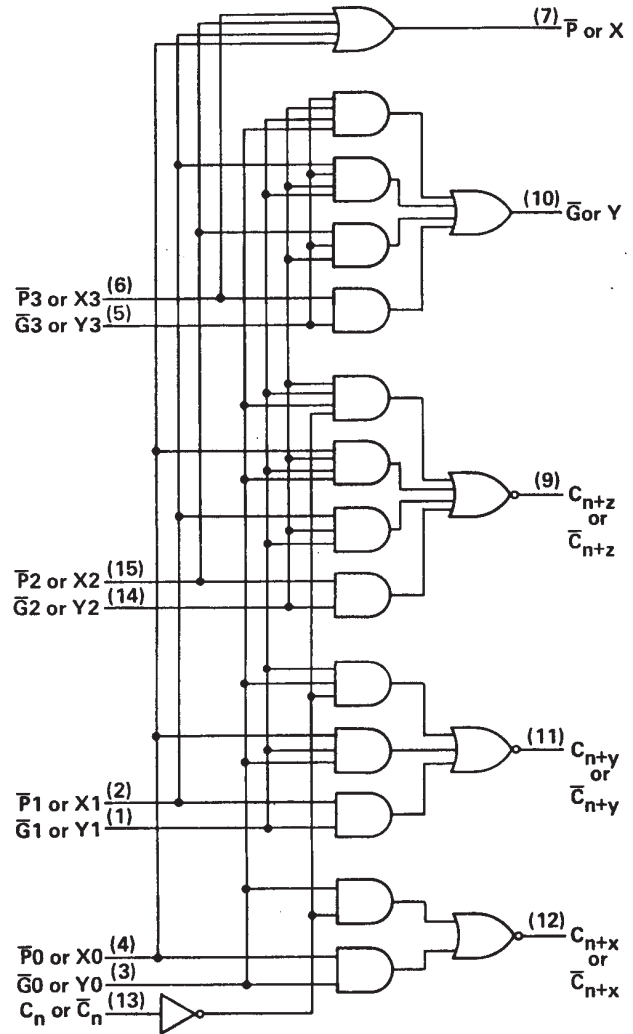
FUNCTION TABLE FOR C_{n+z} OUTPUT

INPUTS							OUTPUT
\bar{G}_2	\bar{G}_1	\bar{G}_0	\bar{P}_2	\bar{P}_1	\bar{P}_0	C_n	C_{n+z}
L	X	X	X	X	X	X	H
X	L	X	L	X	X	X	H
X	X	L	L	L	X	X	H
X	X	X	L	L	L	H	H
All other combinations							L

H = high level, L = low level, X = irrelevant

Any inputs not shown in a given table are irrelevant with respect to that output.

logic diagram (positive logic)

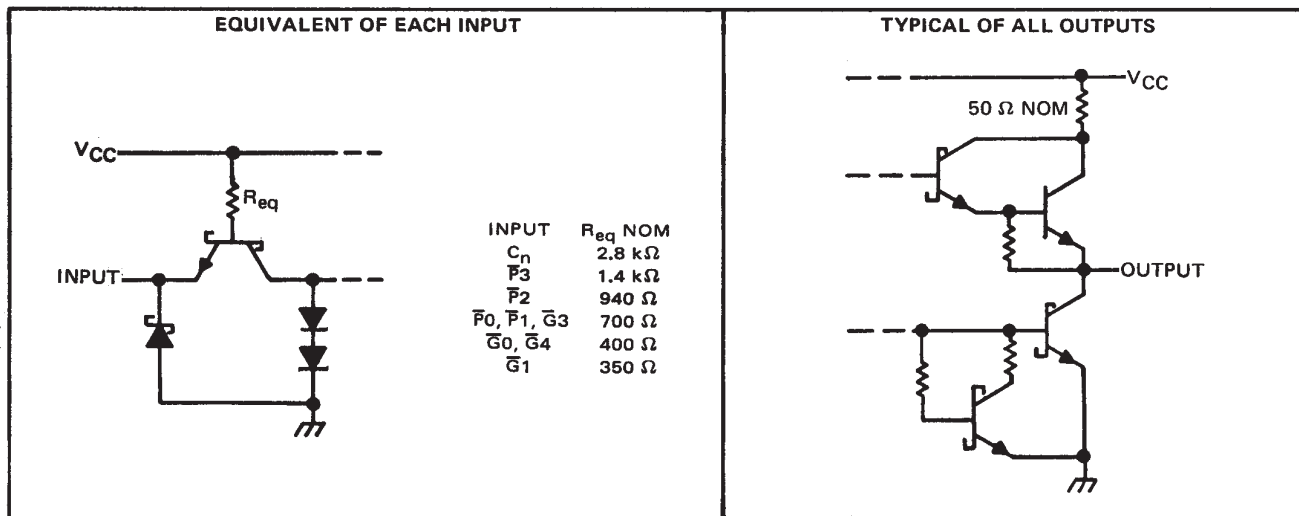


Pin numbers shown are for D, J, N, and W packages.

SN54S182, SN74S182 LOOK-AHEAD CARRY GENERATORS

SDLS206 – DECEMBER 1972 – REVISED MARCH 1988

schematics of inputs and outputs



absolute maximum ratings over operating free-air temperature range (unless otherwise noted)

Supply voltage, V_{CC} (see Note 1)	7 V
Input voltage	5.5 V
Interemitter voltage (see Note 2)	5.5 V
Operating free-air temperature range: SN54S182	-55°C to 125°C
SN74S182	0°C to 70°C
Storage temperature range	-65°C to 150°C

- NOTES: 1. Voltage values, except interemitter voltage, are with respect to network ground terminal.
 2. This is the voltage between two emitters of a multiple-emitter input transistor. For these circuits, this rating applies to each \bar{G} input in conjunction with any other \bar{G} input or in conjunction with any \bar{P} input.

SN54S182, SN74S182 LOOK-AHEAD CARRY GENERATORS

SDLS206 – DECEMBER 1972 – REVISED MARCH 1988

recommended operating conditions

	SN54S182			SN74S182			UNIT
	MIN	NOM	MAX	MIN	NOM	MAX	
Supply voltage, V_{CC}	4.5	5	5.5	4.75	5	5.25	V
High-level output current, I_{OH}			-1			-1	mA
Low-level output current, I_{OL}			20			20	mA
Operating free-air temperature, T_A	-55		125	0		70	°C

electrical characteristics over recommended operating free-air temperature range (unless otherwise noted)

PARAMETER		TEST CONDITIONS†	SN54S182			SN74S182			UNIT	
			MIN	TYP‡	MAX	MIN	TYP‡	MAX		
V_{IH}	High-level input voltage		2			2			V	
V_{IL}	Low-level input voltage				0.8			0.8	V	
V_{IK}	Input clamp voltage	$V_{CC} = \text{MIN}, I_I = -18 \text{ mA}$			-1.2			-1.2	V	
V_{OH}	High-level output voltage	$V_{CC} = \text{MIN}, V_{IH} = 2 \text{ V}, V_{IL} = 0.8 \text{ V}, I_{OH} = -1 \text{ mA}$	2.5	3.4		2.7	3.4		V	
V_{OL}	Low-level output voltage	$V_{CC} = \text{MIN}, V_{IH} = 2 \text{ V}, V_{IL} = 0.8 \text{ V}, I_{OL} = 20 \text{ mA}$			0.5			0.5	V	
I_I	Input current at maximum input voltage	$V_{CC} = \text{MAX}, V_I = 5.5 \text{ V}$			1			1	mA	
I_{IH}	High-level input current	C_n input			50			50	μA	
		$\bar{P}3$ input			100			100		
		$\bar{P}2$ input			150			150		
		$\bar{P}0, \bar{P}1, \text{ or } \bar{G}3$ input	$V_{CC} = \text{MAX}, V_I = 2.7 \text{ V}$			200				200
		$\bar{G}0$ or $\bar{G}2$ input				350				350
		$\bar{G}1$ input				400				400
I_{IL}	Low-level input current	C_n input			-2			-2	mA	
		$\bar{P}3$ input			-4			-4		
		$\bar{P}2$ input			-6			-6		
		$\bar{P}0, \bar{P}1, \text{ or } \bar{G}3$ input	$V_{CC} = \text{MAX}, V_I = 0.5 \text{ V}$			-8				-8
		$\bar{G}0$ or $\bar{G}2$ input				-14				-14
		$\bar{G}1$ input				-16				-16
I_{OS}	Short-circuit output current§	$V_{CC} = \text{MAX}$			-40		-100		mA	
I_{CCH}	Supply current, all outputs high	$V_{CC} = 5 \text{ V}$, See Note 3			35		65		mA	
I_{CCL}	Supply current, all outputs low	$V_{CC} = \text{MAX}$, See Note 4			69		99		mA	

† For conditions shown as MIN or MAX, use the appropriate value specified under recommended operating conditions for the applicable type.

‡ All typical values are at $V_{CC} = 5 \text{ V}, T_A = 25^\circ\text{C}$.

§ Not more than one output should be shorted at a time and duration of the short-circuit test should not exceed one second.

NOTES: 3. I_{CCH} is measured with all outputs open, inputs $\bar{P}3$ and $\bar{G}3$ at 4.5 V, and all other inputs grounded. MAX is determined at 5.5 V.

4. I_{CCL} is measured with all outputs open; inputs $\bar{G}0, \bar{G}1, \text{ and } \bar{G}2$ at 4.5 V; and all other inputs grounded.

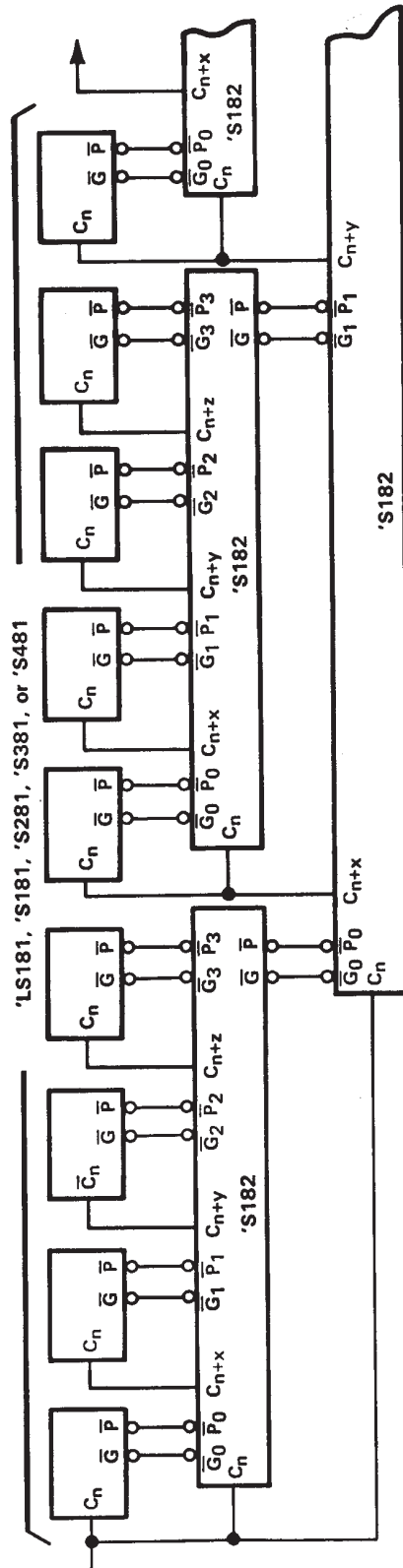
switching characteristics, $V_{CC} = 5 \text{ V}, T_A = 25^\circ\text{C}$

PARAMETER	FROM (INPUT)	TO (OUTPUT)	TEST CONDITIONS	MIN	TYP	MAX	UNIT
t_{PLH}	$\bar{G}0, \bar{G}1, \bar{G}2, \bar{G}3,$	$C_{n+x}, C_{n+y},$	$R_L = 280 \Omega, C_L = 15 \text{ pF},$ See Note 5		4.5	7	ns
t_{PHL}	$P0, P1, P2, \text{ or } P3$	$\text{or } C_{n+z}$			4.5	7	
t_{PLH}	$\bar{G}0, \bar{G}1, \bar{G}2, \bar{G}3,$	\bar{G}			5	7.5	ns
t_{PHL}	$P1, P2, \text{ or } P3$				7	10.5	
t_{PLH}	$\bar{P}0, \bar{P}1, \bar{P}2, \text{ or } \bar{P}3$	\bar{P}			4.5	6.5	ns
t_{PHL}					6.5	10	
t_{PLH}	C_n	$C_{n+x}, C_{n+y},$			6.5	10	ns
t_{PHL}		$\text{or } C_{n+z}$			7	10.5	

NOTE 5: Load circuits and voltage waveforms are shown in Section 1.



TYPICAL APPLICATION DATA



64-BIT ALU, FULL-CARRY LOOK-AHEAD IN THREE LEVELS

Remaining inputs and outputs of 'LS181, 'S181, 'S281, 'S381, and 'S481 are not shown.

PACKAGING INFORMATION

Orderable Device	Status ⁽¹⁾	Package Type	Package Drawing	Pins	Package Qty	Eco Plan ⁽²⁾	Lead/ Ball Finish	MSL Peak Temp ⁽³⁾	Samples (Requires Login)
JM38510/07802BEA	ACTIVE	CDIP	J	16	1	TBD	A42	N / A for Pkg Type	Purchase Samples
SN54S182J	ACTIVE	CDIP	J	16	1	TBD	A42	N / A for Pkg Type	Purchase Samples
SN74S182N	OBSOLETE	PDIP	N	16		TBD	Call TI	Call TI	Samples Not Available
SN74S182N3	OBSOLETE	PDIP	N	16		TBD	Call TI	Call TI	Samples Not Available
SNJ54S182FK	ACTIVE	LCCC	FK	20	1	TBD	POST-PLATE	N / A for Pkg Type	Purchase Samples
SNJ54S182J	ACTIVE	CDIP	J	16	1	TBD	A42	N / A for Pkg Type	Purchase Samples
SNJ54S182W	ACTIVE	CFP	W	16	1	TBD	A42	N / A for Pkg Type	Purchase Samples

⁽¹⁾ The marketing status values are defined as follows:

ACTIVE: Product device recommended for new designs.

LIFEBUY: TI has announced that the device will be discontinued, and a lifetime-buy period is in effect.

NRND: Not recommended for new designs. Device is in production to support existing customers, but TI does not recommend using this part in a new design.

PREVIEW: Device has been announced but is not in production. Samples may or may not be available.

OBSOLETE: TI has discontinued the production of the device.

⁽²⁾ Eco Plan - The planned eco-friendly classification: Pb-Free (RoHS), Pb-Free (RoHS Exempt), or Green (RoHS & no Sb/Br) - please check <http://www.ti.com/productcontent> for the latest availability information and additional product content details.

TBD: The Pb-Free/Green conversion plan has not been defined.

Pb-Free (RoHS): TI's terms "Lead-Free" or "Pb-Free" mean semiconductor products that are compatible with the current RoHS requirements for all 6 substances, including the requirement that lead not exceed 0.1% by weight in homogeneous materials. Where designed to be soldered at high temperatures, TI Pb-Free products are suitable for use in specified lead-free processes.

Pb-Free (RoHS Exempt): This component has a RoHS exemption for either 1) lead-based flip-chip solder bumps used between the die and package, or 2) lead-based die adhesive used between the die and leadframe. The component is otherwise considered Pb-Free (RoHS compatible) as defined above.

Green (RoHS & no Sb/Br): TI defines "Green" to mean Pb-Free (RoHS compatible), and free of Bromine (Br) and Antimony (Sb) based flame retardants (Br or Sb do not exceed 0.1% by weight in homogeneous material)

⁽³⁾ MSL, Peak Temp. -- The Moisture Sensitivity Level rating according to the JEDEC industry standard classifications, and peak solder temperature.

Important Information and Disclaimer: The information provided on this page represents TI's knowledge and belief as of the date that it is provided. TI bases its knowledge and belief on information provided by third parties, and makes no representation or warranty as to the accuracy of such information. Efforts are underway to better integrate information from third parties. TI has taken and continues to take reasonable steps to provide representative and accurate information but may not have conducted destructive testing or chemical analysis on incoming materials and chemicals. TI and TI suppliers consider certain information to be proprietary, and thus CAS numbers and other limited information may not be available for release.

In no event shall TI's liability arising out of such information exceed the total purchase price of the TI part(s) at issue in this document sold by TI to Customer on an annual basis.

OTHER QUALIFIED VERSIONS OF SN54S182, SN74S182 :

- Catalog: [SN74S182](#)

- Military: [SN54S182](#)

NOTE: Qualified Version Definitions:

- Catalog - TI's standard catalog product
- Military - QML certified for Military and Defense Applications

J (R-GDIP-T**)

14 LEADS SHOWN

CERAMIC DUAL IN-LINE PACKAGE



DIM \ PINS **	14	16	18	20
A	0.300 (7,62) BSC	0.300 (7,62) BSC	0.300 (7,62) BSC	0.300 (7,62) BSC
B MAX	0.785 (19,94)	.840 (21,34)	0.960 (24,38)	1.060 (26,92)
B MIN	—	—	—	—
C MAX	0.300 (7,62)	0.300 (7,62)	0.310 (7,87)	0.300 (7,62)
C MIN	0.245 (6,22)	0.245 (6,22)	0.220 (5,59)	0.245 (6,22)

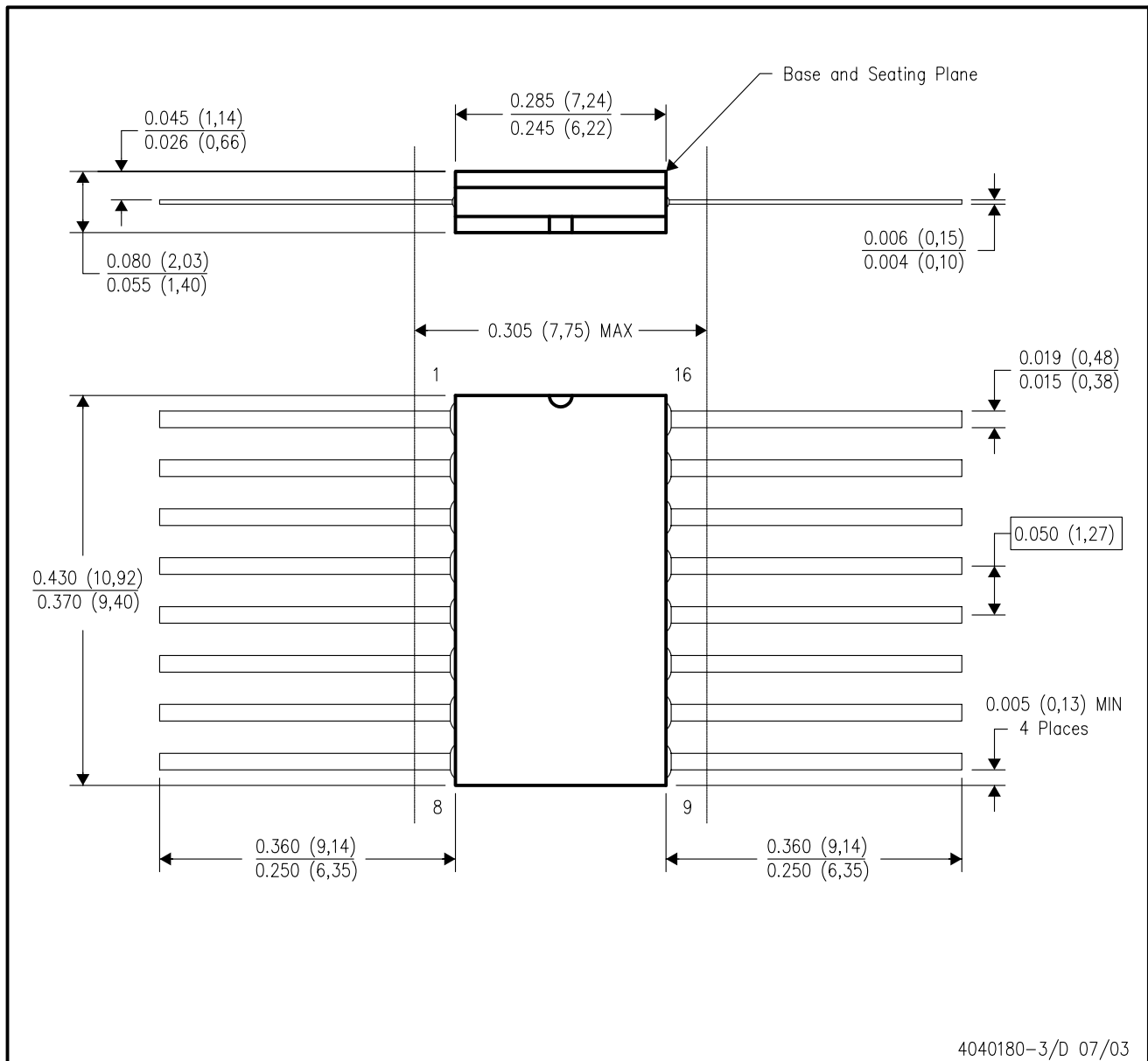


4040083/F 03/03

- NOTES:
- All linear dimensions are in inches (millimeters).
 - This drawing is subject to change without notice.
 - This package is hermetically sealed with a ceramic lid using glass frit.
 - Index point is provided on cap for terminal identification only on press ceramic glass frit seal only.
 - Falls within MIL STD 1835 GDIP1-T14, GDIP1-T16, GDIP1-T18 and GDIP1-T20.

W (R-GDFP-F16)

CERAMIC DUAL FLATPACK



- NOTES:
- A. All linear dimensions are in inches (millimeters).
 - B. This drawing is subject to change without notice.
 - C. This package can be hermetically sealed with a ceramic lid using glass frit.
 - D. Index point is provided on cap for terminal identification only.
 - E. Falls within MIL STD 1835 GDFP1-F16 and JEDEC MO-092AC

FK (S-CQCC-N**)

LEADLESS CERAMIC CHIP CARRIER

28 TERMINAL SHOWN



NO. OF TERMINALS **	A		B	
	MIN	MAX	MIN	MAX
20	0.342 (8,69)	0.358 (9,09)	0.307 (7,80)	0.358 (9,09)
28	0.442 (11,23)	0.458 (11,63)	0.406 (10,31)	0.458 (11,63)
44	0.640 (16,26)	0.660 (16,76)	0.495 (12,58)	0.560 (14,22)
52	0.740 (18,78)	0.761 (19,32)	0.495 (12,58)	0.560 (14,22)
68	0.938 (23,83)	0.962 (24,43)	0.850 (21,6)	0.858 (21,8)
84	1.141 (28,99)	1.165 (29,59)	1.047 (26,6)	1.063 (27,0)



4040140/D 01/11

- NOTES:
- All linear dimensions are in inches (millimeters).
 - This drawing is subject to change without notice.
 - This package can be hermetically sealed with a metal lid.
 - Falls within JEDEC MS-004

N (R-PDIP-T**)

PLASTIC DUAL-IN-LINE PACKAGE

16 PINS SHOWN



- NOTES:
- A. All linear dimensions are in inches (millimeters).
 - B. This drawing is subject to change without notice.
 - Falls within JEDEC MS-001, except 18 and 20 pin minimum body length (Dim A).
 - The 20 pin end lead shoulder width is a vendor option, either half or full width.

IMPORTANT NOTICE

Texas Instruments Incorporated and its subsidiaries (TI) reserve the right to make corrections, modifications, enhancements, improvements, and other changes to its products and services at any time and to discontinue any product or service without notice. Customers should obtain the latest relevant information before placing orders and should verify that such information is current and complete. All products are sold subject to TI's terms and conditions of sale supplied at the time of order acknowledgment.

TI warrants performance of its hardware products to the specifications applicable at the time of sale in accordance with TI's standard warranty. Testing and other quality control techniques are used to the extent TI deems necessary to support this warranty. Except where mandated by government requirements, testing of all parameters of each product is not necessarily performed.

TI assumes no liability for applications assistance or customer product design. Customers are responsible for their products and applications using TI components. To minimize the risks associated with customer products and applications, customers should provide adequate design and operating safeguards.

TI does not warrant or represent that any license, either express or implied, is granted under any TI patent right, copyright, mask work right, or other TI intellectual property right relating to any combination, machine, or process in which TI products or services are used. Information published by TI regarding third-party products or services does not constitute a license from TI to use such products or services or a warranty or endorsement thereof. Use of such information may require a license from a third party under the patents or other intellectual property of the third party, or a license from TI under the patents or other intellectual property of TI.

Reproduction of TI information in TI data books or data sheets is permissible only if reproduction is without alteration and is accompanied by all associated warranties, conditions, limitations, and notices. Reproduction of this information with alteration is an unfair and deceptive business practice. TI is not responsible or liable for such altered documentation. Information of third parties may be subject to additional restrictions.

Resale of TI products or services with statements different from or beyond the parameters stated by TI for that product or service voids all express and any implied warranties for the associated TI product or service and is an unfair and deceptive business practice. TI is not responsible or liable for any such statements.

TI products are not authorized for use in safety-critical applications (such as life support) where a failure of the TI product would reasonably be expected to cause severe personal injury or death, unless officers of the parties have executed an agreement specifically governing such use. Buyers represent that they have all necessary expertise in the safety and regulatory ramifications of their applications, and acknowledge and agree that they are solely responsible for all legal, regulatory and safety-related requirements concerning their products and any use of TI products in such safety-critical applications, notwithstanding any applications-related information or support that may be provided by TI. Further, Buyers must fully indemnify TI and its representatives against any damages arising out of the use of TI products in such safety-critical applications.

TI products are neither designed nor intended for use in military/aerospace applications or environments unless the TI products are specifically designated by TI as military-grade or "enhanced plastic." Only products designated by TI as military-grade meet military specifications. Buyers acknowledge and agree that any such use of TI products which TI has not designated as military-grade is solely at the Buyer's risk, and that they are solely responsible for compliance with all legal and regulatory requirements in connection with such use.

TI products are neither designed nor intended for use in automotive applications or environments unless the specific TI products are designated by TI as compliant with ISO/TS 16949 requirements. Buyers acknowledge and agree that, if they use any non-designated products in automotive applications, TI will not be responsible for any failure to meet such requirements.

Following are URLs where you can obtain information on other Texas Instruments products and application solutions:

Products

Audio	www.ti.com/audio
Amplifiers	amplifier.ti.com
Data Converters	dataconverter.ti.com
DLP® Products	www.dlp.com
DSP	dsp.ti.com
Clocks and Timers	www.ti.com/clocks
Interface	interface.ti.com
Logic	logic.ti.com
Power Mgmt	power.ti.com
Microcontrollers	microcontroller.ti.com
RFID	www.ti-rfid.com
RF/IF and ZigBee® Solutions	www.ti.com/lprf

Applications

Communications and Telecom	www.ti.com/communications
Computers and Peripherals	www.ti.com/computers
Consumer Electronics	www.ti.com/consumer-apps
Energy and Lighting	www.ti.com/energy
Industrial	www.ti.com/industrial
Medical	www.ti.com/medical
Security	www.ti.com/security
Space, Avionics and Defense	www.ti.com/space-avionics-defense
Transportation and Automotive	www.ti.com/automotive
Video and Imaging	www.ti.com/video
Wireless	www.ti.com/wireless-apps

TI E2E Community Home Page

e2e.ti.com

Mailing Address: Texas Instruments, Post Office Box 655303, Dallas, Texas 75265
Copyright © 2011, Texas Instruments Incorporated