

SN54LS846 THRU SN54LS649 SN74LS646 THRU SN74LS649 OCTAL BUS TRANSCEIVERS AND REGISTERS

SDLS190A - DECEMBER 1982 - REVISED MAY 2004

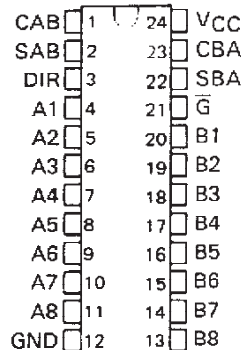
- Independent Registers for A and B Buses
- Multiplexed Real-Time and Stored Data
- Choice of True or Inverting Data Paths
- Choice of 3-State or Open-Collector Outputs
- Included Among the Package Options Are Compact 24-pin 300-mil-Wide Plastic and Ceramic DIPs, Ceramic Chip Carriers, and Plastic "Small Outline" Packages
- Dependable Texas Instruments Quality and Reliability

DEVICE	OUTPUT	LOGIC
'LS646	3-State	True
'LS647	Open-Collector	True
'LS648	3-State	Inverting
'LS649	Open-Collector	Inverting

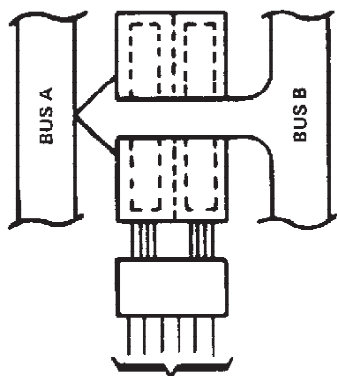
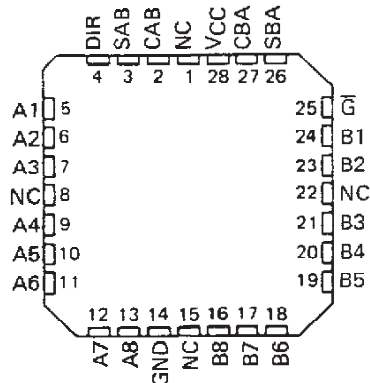
description

These devices consist of bus transceiver circuits with 3-state or open-collector outputs, D-type flip-flops, and control circuitry arranged for multiplexed transmission of data directly from the input bus or from the internal registers. Data on the A or B bus will be clocked into the registers on the low-to-high transition of the appropriate clock pin (CAB or CBA). The following examples demonstrate the four fundamental bus-management functions that can be performed with the octal bus transceivers and registers.

SN54LS' . . . JT PACKAGE
SN74LS' . . . DW OR NT PACKAGE
(TOP VIEW)

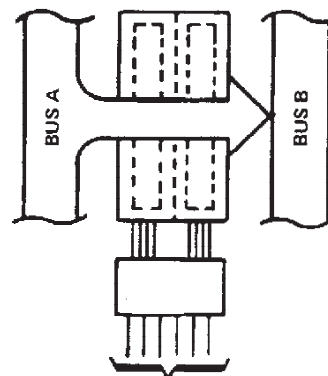


SN54LS' . . . FK PACKAGE
(TOP VIEW)



(21)	(3)	(1)	(23)	(2)	(22)
\bar{G}	DIR	CAB	CBA	SAB	SBA
L	L	X	X	X	L

REAL-TIME TRANSFER
BUS B TO BUS A



(21)	(3)	(1)	(23)	(2)	(22)
\bar{G}	DIR	CAB	CBA	SAB	SBA
L	H	X	X	L	X

REAL-TIME TRANSFER
BUS A TO BUS B



Please be aware that an important notice concerning availability, standard warranty, and use in critical applications of Texas Instruments semiconductor products and disclaimers thereto appears at the end of this data sheet.

PRODUCTION DATA information is current as of publication date. Products conform to specifications per the terms of Texas Instruments standard warranty. Production processing does not necessarily include testing of all parameters.

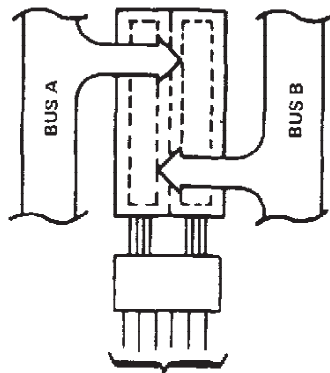
 **TEXAS
INSTRUMENTS**

POST OFFICE BOX 655303 • DALLAS, TEXAS 75265

Copyright © 2004, Texas Instruments Incorporated

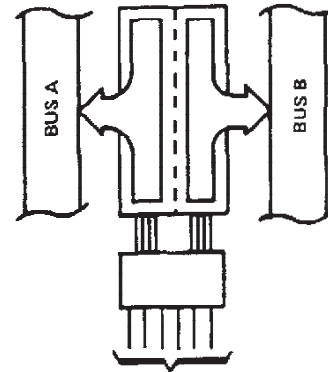
SN54LS646 THRU SN54LS649, SN74LS646 THRU SN74LS649 OCTAL BUS TRANSCEIVERS AND REGISTERS

SDLS190A – DECEMBER 1982 – REVISED MAY 2004



(21)	(3)	(1)	(23)	(2)	(22)
\bar{G}	DIR	CAB	CBA	SAB	SBA
X	X	↑	X	X	X
X	X	X	↑	X	X
H	X	↑	↑	X	X

STORAGE FROM
A, B, OR A AND B



(21)	(3)	(1)	(23)	(2)	(22)
\bar{G}	DIR	CAB	CBA	SAB	SBA
L	L	X	HorL	X	H
L	H	HorL	X	H	X

TRANSFER
STORED DATA
TO A OR B

Enable (\bar{G}) and direction (DIR) pins are provided to control the transceiver functions. In the transceiver mode, data present at the high-impedance port may be stored in either register or in both. The select controls (SAB and SBA) can multiplex stored and real-time (transparent mode) data. The direction control determines which bus will receive data when enable \bar{G} is active (low). In the isolation mode (control \bar{G} high), A data may be stored in one register and/or B data may be stored in the other register.

When an output function is disabled, the input function is still enabled and may be used to store and transmit data. Only one of the two buses, A or B, may be driven at a time.

The SN54' family is characterized for operation over the full military temperature range of -55°C to 125°C . The SN74' family is characterized for operation from 0° to 70°C .

FUNCTION TABLE

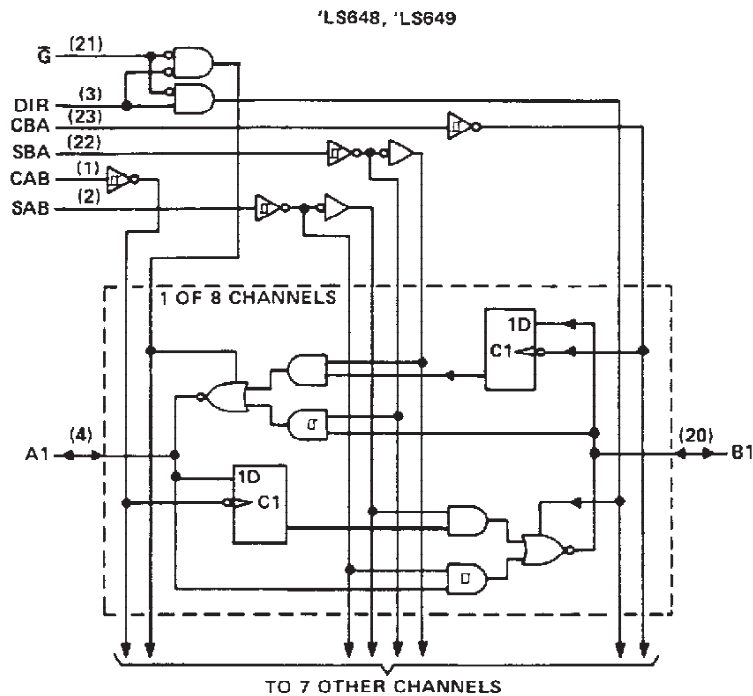
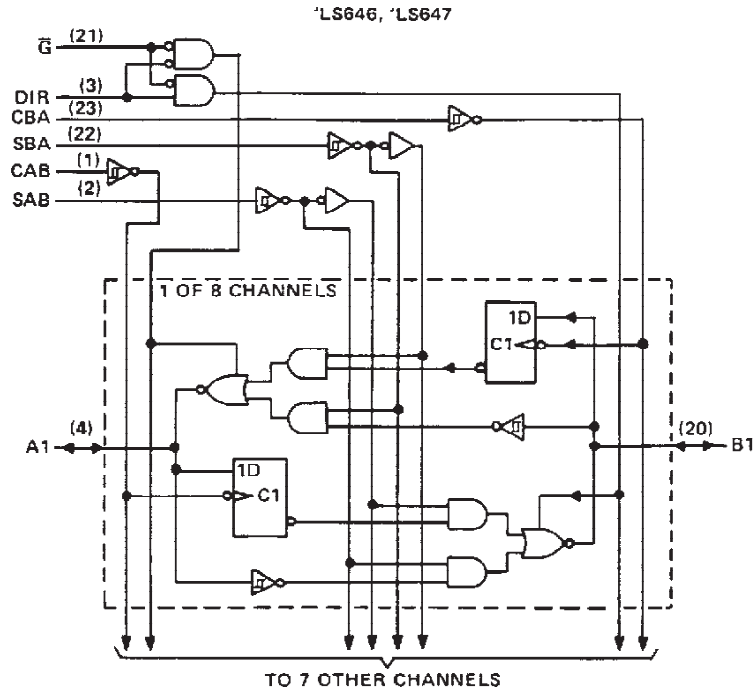
INPUTS						DATA I/O†		OPERATION OR FUNCTION	
\bar{G}	DIR	CAB	CBA	SAB	SBA	A1 THRU A8	B1 THRU B8	LS646, LS647	LS648, LS649
X	X	↑	X	X	X	Input	Not specified	Store A, B unspecified	Store A, B unspecified
X	X	X	↑	X	X	Not specified	Input	Store B, A unspecified	Store B, A unspecified
H	X	↑	↑	X	X	Input	Input	Store A and B Data	Store A and B Data
H	X	H or L	H or L	X	X	Input	Input	Isolation, hold storage	Isolation, hold storage
L	L	X	X	X	L	Output	Input	Real-Time B Data to A Bus	Real-Time \bar{B} Data to A Bus
L	L	X	HorL	X	H	Output	Input	Stored B Data to A Bus	Stored \bar{B} Data to A Bus
L	H	X	X	L	X	Input	Output	Real-Time A Data to B Bus	Real-Time \bar{A} Data to B Bus
L	H	H or L	X	H	X	Input	Output	Stored A Data to B Bus	Stored \bar{A} Data to B Bus

† The data output functions may be enabled or disabled by various signals at the \bar{G} and DIR inputs. Data input functions are always enabled, i.e., data at the bus pins will be stored on every low-to-high transition on the clock inputs.

SN54LS646 THRU SN54LS649, SN74LS646 THRU SN74LS649 OCTAL BUS TRANSCEIVERS AND REGISTERS

SDLS190A - DECEMBER 1982 - REVISED MAY 2004

logic diagrams (positive logic)



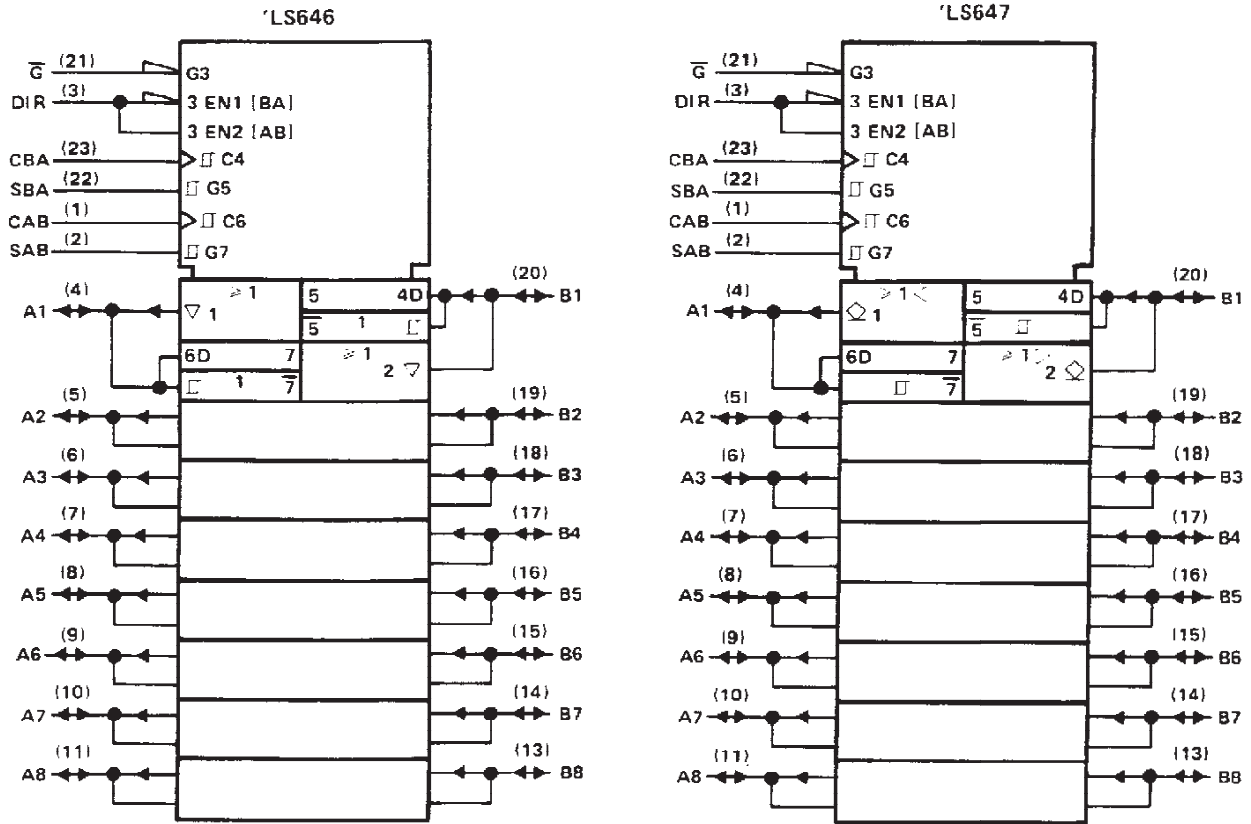
Pin numbers shown are for DW, JT, and NT packages.

SN54LS646, SN54LS647, SN74LS646, SN74LS647

OCTAL BUS TRANSCEIVERS AND REGISTERS

SDLS190A – DECEMBER 1982 – REVISED MAY 2004

logic symbols †

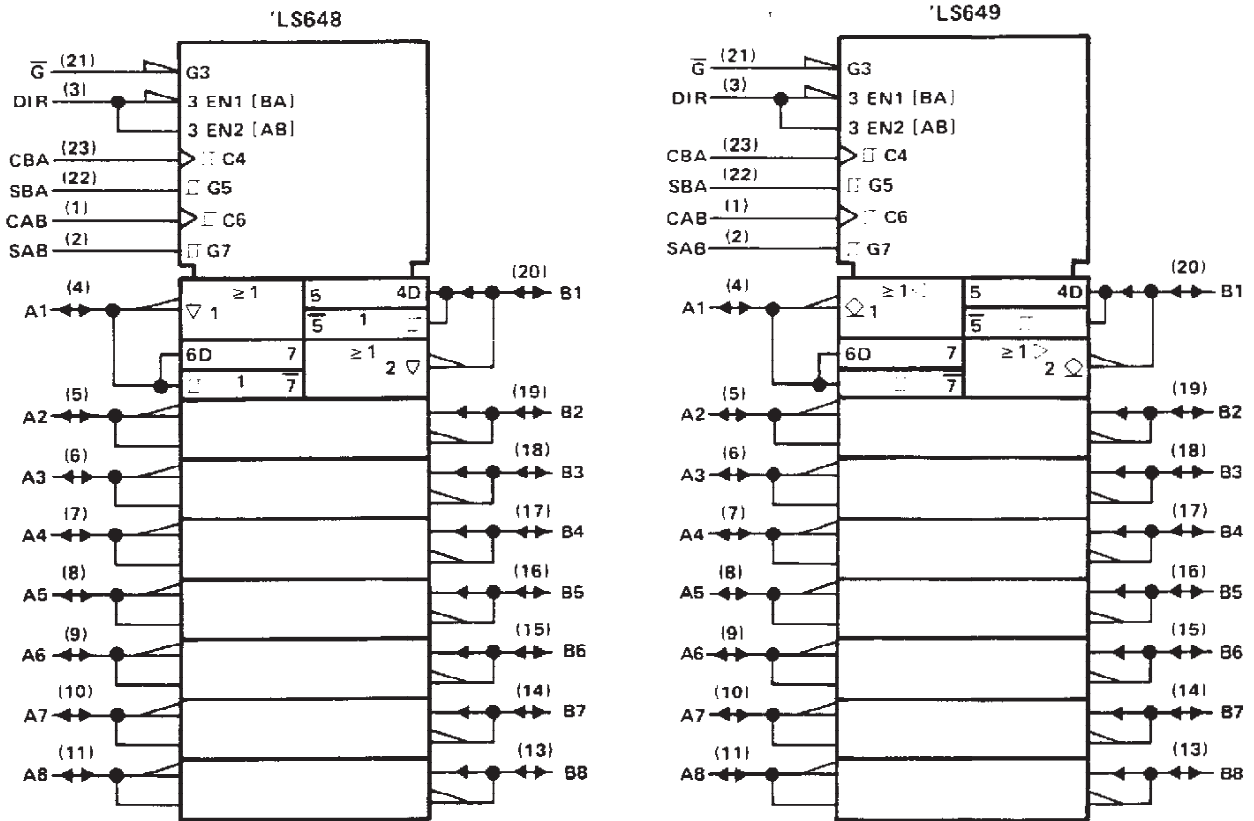


†These symbols are in accordance with ANSI/IEEE Std. 91-1984 and IEC Publication 617-12. Pin numbers shown are for DW, JT, and NT packages.

SN54LS648, SN54LS649, SN74LS648, SN74LS649 OCTAL BUS TRANSCEIVERS AND REGISTERS

SDLS190A - DECEMBER 1982 - REVISED MAY 2004

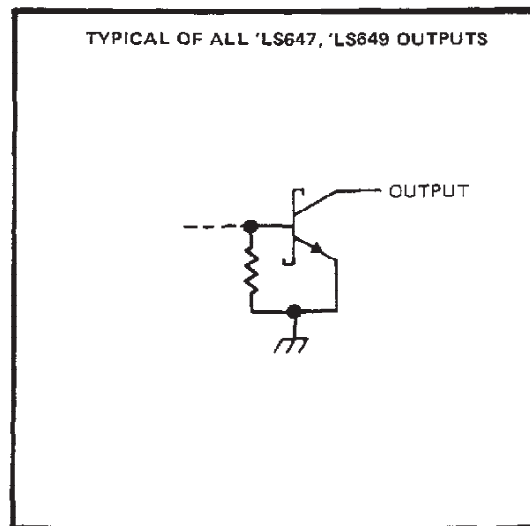
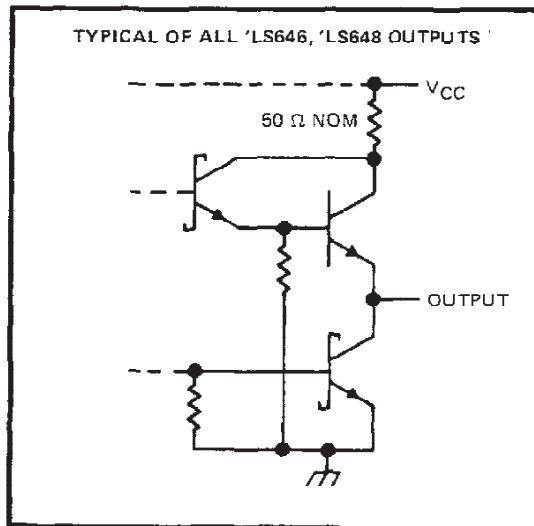
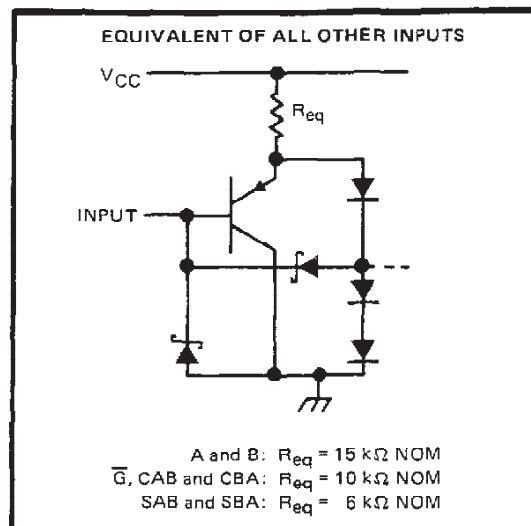
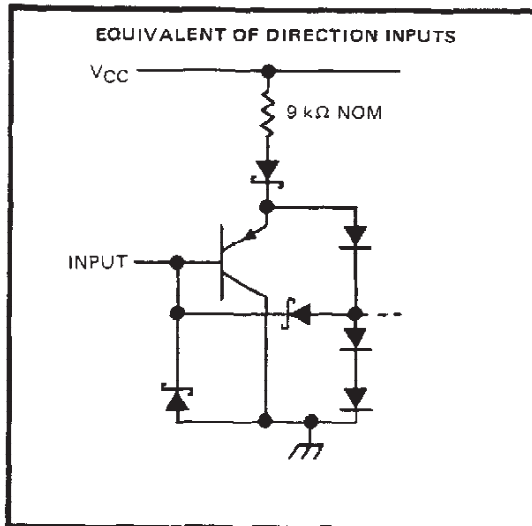
logic symbols[†] (continued)



[†]These symbols are in accordance with ANSI/IEEE Std. 91-1984 and IEC Publication 617-12.
Pin numbers shown are for DW, JT, and NT packages.

SN54LS646 THRU SN54LS649
SN74LS646 THRU SN74LS649
OCTAL BUS TRANSCEIVERS AND REGISTERS
 SDLS190A – DECEMBER 1982 – REVISED MAY 2004

schematics of inputs and outputs



SN54LS646, SN54LS648, SN74LS646, SN74LS648

OCTAL BUS TRANSCEIVERS AND REGISTERS WITH 3-STATE OUTPUTS

SDLS190A – DECEMBER 1982 – REVISED MAY 2004

switching characteristics, $V_{CC} = 5\text{ V}$, $T_A = 25^\circ\text{C}$

PARAMETER	FROM (INPUT)	TO (OUTPUT)	TEST CONDITIONS	'LS646			'LS648			UNIT
				MIN	TYP	MAX	MIN	TYP	MAX	
t_{PLH}	CAB or CBA	A or B	$R_L = 667\ \Omega$, $C_L = 45\ \text{pF}$, See Note 2	15	25		15	25	ns	
t_{PHL}				23	35		24	40	ns	
t_{PLH}	A or B	B or A		12	18		12	18	ns	
t_{PHL}				13	20		15	25	ns	
t_{PLH}	SAB or SBA† with Bus input high	A or B		26	40		37	55	ns	
t_{PHL}				21	35		24	40	ns	
t_{PLH}	SAB or SBA† with Bus input low	A or B		33	50		26	40	ns	
t_{PHL}				14	25		23	40	ns	
t_{PZH}	\overline{G}	A or B		33	55		30	50	ns	
t_{PZL}				42	65		37	55	ns	
t_{PZH}	DIR	A or B	28	45		23	40	ns		
t_{PZL}			39	60		30	45	ns		
t_{PHZ}	\overline{G}	A or B	23	35		28	45	ns		
t_{PLZ}			22	35		22	35	ns		
t_{PHZ}	DIR	A or B	20	30		24	35	ns		
t_{PLZ}			19	30		19	30	ns		

† These parameters are measured with the internal output state of the storage register opposite to that of the input.

NOTE 2: Load circuits and voltage waveforms are shown in Section 1.

SN54LS647, SN54LS649, SN74LS647, SN74LS649

OCTAL BUS TRANSCEIVERS AND REGISTERS WITH OPEN-COLLECTOR OUTPUTS

SDLS190A – DECEMBER 1982 – REVISED MAY 2004

absolute maximum ratings over operating free-air temperature range (unless otherwise noted)

Supply voltage, V_{CC} (see Note 1)	7 V
Input voltage (control inputs)	7 V
Off-state output voltage (A and B ports)	5.5 V
Operating free-air temperature range: SN54LS647, SN54LS649	– 55°C to 125°C
SN74LS647, SN74LS649	– 0°C to 70°C
Storage temperature range	– 65°C to 150°C

recommended operating conditions

		SN54LS647 SN54LS649			SN74LS647 SN74LS649			UNIT
		MIN	NOM	MAX	MIN	NOM	MAX	
V_{CC}	Supply voltage	4.5	5	5.5	4.75	5	5.25	V
V_{IH}	High-level input voltage	2			2			V
V_{IL}	Low-level input voltage	0.5			0.6			V
V_{OH}	High-level output voltage	5.5			5.5			V
I_{OL}	Low-level output voltage	12			24			mA
t_w	Pulse duration	CBA or CAB high		15	15		ns	
		CBA or CAB low		30	30			
		Data high or low		30	30			
t_{su}	Setup time before CAB † or CBA †	A or B		15	15		ns	
t_h	Hold time after CAB † or CBA †	A or B		0	0		ns	
T_A	Operating free-air temperature	– 55		125	0		70	°C

electrical characteristics over recommended operating free-air temperature range (unless otherwise noted)

PARAMETER		TEST CONDITIONS†	SN54LS647 SN54LS649			SN74LS647 SN74LS649			UNIT	
			MIN	TYP‡	MAX	MIN	TYP‡	MAX		
V_{IK}		$V_{CC} = \text{MIN}, I_I = -18 \text{ mA}$	– 1.5			– 1.5			V	
Hysteresis ($V_{T+} - V_{T-}$)	A or B input	$V_{CC} = \text{MIN}$	0.1	0.4		0.2	0.4		V	
I_{OH}		$V_{CC} = \text{MIN}, V_{IH} = 2 \text{ V}, V_{IL} = \text{MAX}, V_{OH} = 5.5 \text{ V}$	0.1			0.1			mA	
V_{OL}		$V_{CC} = \text{MIN}, V_{IH} = 2 \text{ V}, V_{IL} = \text{MAX}$	0.25		0.4	0.25		0.4	V	
I_I	A or B	$V_{CC} = \text{MAX}$			$V_I = 5.5 \text{ V}$			0.1	mA	
	All others				$V_I = 7 \text{ V}$			0.1		
I_{IH}		$V_{CC} = \text{MAX}, V_I = 2.7 \text{ V}$	20			20			µA	
I_{IL}		$V_{CC} = \text{MAX}, V_I = 0.4 \text{ V}$	– 0.4			– 0.4			mA	
I_{CC}	'LS647	$V_{CC} = \text{MAX}, \text{Outputs open}$	Outputs high		79	130	79		130	mA
			Outputs low		94	150	94		150	
	'LS649	$V_{CC} = \text{MAX}, \text{Outputs open}$	Outputs high		79	130	79		130	
			Outputs low		94	150	94		150	

† For conditions shown as MIN or MAX, use the appropriate value specified under recommended operating conditions.

‡ All typical values are at $V_{CC} = 5 \text{ V}, T_A = 25^\circ\text{C}$.



SN54LS647, SN54LS649, SN74LS647, SN74LS649

OCTAL BUS TRANSCEIVERS AND REGISTERS WITH OPEN-COLLECTOR OUTPUTS

SDLS190A – DECEMBER 1982 – REVISED MAY 2004

switching characteristics, $V_{CC} = 5\text{ V}$, $T_A = 25^\circ\text{C}$

PARAMETER	FROM (INPUT)	TO (OUTPUT)	TEST CONDITIONS	'LS647			'LS649			UNIT
				MIN	TYP	MAX	MIN	TYP	MAX	
t_{PLH}	CAB or CBA	A or B	$R_L = 667\ \Omega$, $C_L = 45\ \text{pF}$, See Note 2	22	35		17	30	ns	
t_{PHL}				28	45		28	45	ns	
t_{PLH}	A or B	B or A		17	26		15	25	ns	
t_{PHL}				18	27		20	30	ns	
t_{PLH}	SAB or SBA† with Bus input high	A or B		33	50		37	55	ns	
t_{PHL}				29	45		28	45	ns	
t_{PLH}	SAB or SBA† with Bus input low			39	60		30	45	ns	
t_{PHL}				19	30		26	40	ns	
t_{PLH}	G	A or B		25	40		21	40	ns	
t_{PHL}				33	50		34	50	ns	
t_{PLH}	DIR		23	35		19	30	ns		
t_{PHL}			25	40		27	45	ns		

† These parameters are measured with the internal outputs state of the storage register opposite to that of the bus input.

NOTE 2: Load circuits and voltage waveforms are shown in Section 1.

PACKAGING INFORMATION

Orderable Device	Status (1)	Package Type	Package Drawing	Pins	Package Qty	Eco Plan (2)	Lead/Ball Finish (6)	MSL Peak Temp (3)	Op Temp (°C)	Device Marking (4/5)	Samples
SN74LS646DW	ACTIVE	SOIC	DW	24	25	Green (RoHS & no Sb/Br)	Call TI	Level-1-260C-UNLIM	0 to 70	LS646	Samples
SN74LS646NT	ACTIVE	PDIP	NT	24	15	Pb-Free (RoHS)	CU NIPDAU	N / A for Pkg Type	0 to 70	SN74LS646NT	Samples
SN74LS646NT3	OBSOLETE	PDIP	NT	24		TBD	Call TI	Call TI	0 to 70		
SN74LS647DW	OBSOLETE	SOIC	DW	24		TBD	Call TI	Call TI	0 to 70		
SN74LS647NT	OBSOLETE	PDIP	NT	24		TBD	Call TI	Call TI	0 to 70		
SN74LS648NT	ACTIVE	PDIP	NT	24	15	Pb-Free (RoHS)	CU NIPDAU	N / A for Pkg Type	0 to 70	SN74LS648NT	Samples
SN74LS649NT	OBSOLETE	PDIP	NT	24		TBD	Call TI	Call TI	0 to 70		

(1) The marketing status values are defined as follows:

ACTIVE: Product device recommended for new designs.

LIFEBUY: TI has announced that the device will be discontinued, and a lifetime-buy period is in effect.

NRND: Not recommended for new designs. Device is in production to support existing customers, but TI does not recommend using this part in a new design.

PREVIEW: Device has been announced but is not in production. Samples may or may not be available.

OBSOLETE: TI has discontinued the production of the device.

(2) Eco Plan - The planned eco-friendly classification: Pb-Free (RoHS), Pb-Free (RoHS Exempt), or Green (RoHS & no Sb/Br) - please check <http://www.ti.com/productcontent> for the latest availability information and additional product content details.

TBD: The Pb-Free/Green conversion plan has not been defined.

Pb-Free (RoHS): TI's terms "Lead-Free" or "Pb-Free" mean semiconductor products that are compatible with the current RoHS requirements for all 6 substances, including the requirement that lead not exceed 0.1% by weight in homogeneous materials. Where designed to be soldered at high temperatures, TI Pb-Free products are suitable for use in specified lead-free processes.

Pb-Free (RoHS Exempt): This component has a RoHS exemption for either 1) lead-based flip-chip solder bumps used between the die and package, or 2) lead-based die adhesive used between the die and leadframe. The component is otherwise considered Pb-Free (RoHS compatible) as defined above.

Green (RoHS & no Sb/Br): TI defines "Green" to mean Pb-Free (RoHS compatible), and free of Bromine (Br) and Antimony (Sb) based flame retardants (Br or Sb do not exceed 0.1% by weight in homogeneous material)

(3) MSL, Peak Temp. - The Moisture Sensitivity Level rating according to the JEDEC industry standard classifications, and peak solder temperature.

(4) There may be additional marking, which relates to the logo, the lot trace code information, or the environmental category on the device.

(5) Multiple Device Markings will be inside parentheses. Only one Device Marking contained in parentheses and separated by a "-" will appear on a device. If a line is indented then it is a continuation of the previous line and the two combined represent the entire Device Marking for that device.

⁽⁶⁾ Lead/Ball Finish - Orderable Devices may have multiple material finish options. Finish options are separated by a vertical ruled line. Lead/Ball Finish values may wrap to two lines if the finish value exceeds the maximum column width.

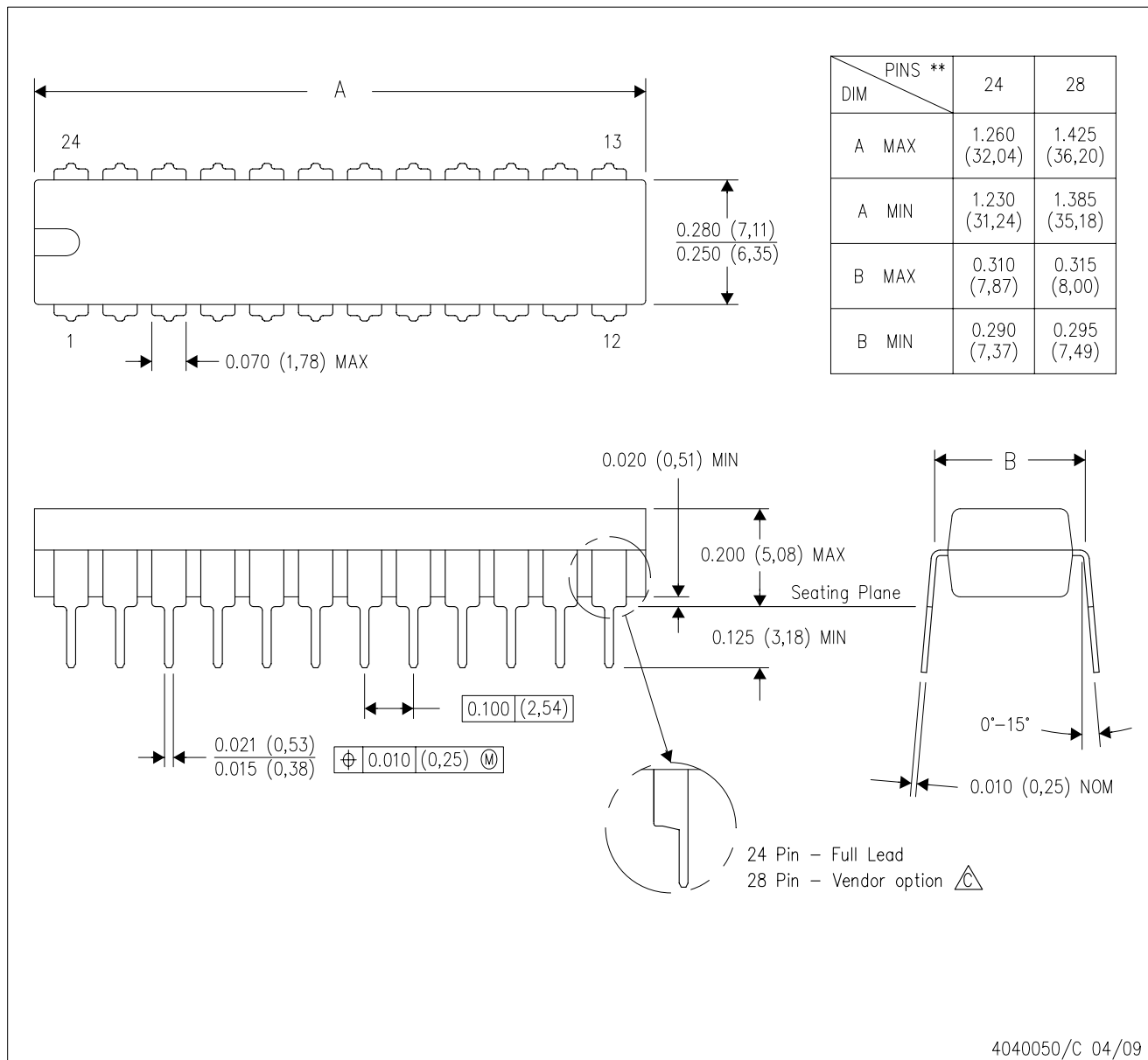
Important Information and Disclaimer:The information provided on this page represents TI's knowledge and belief as of the date that it is provided. TI bases its knowledge and belief on information provided by third parties, and makes no representation or warranty as to the accuracy of such information. Efforts are underway to better integrate information from third parties. TI has taken and continues to take reasonable steps to provide representative and accurate information but may not have conducted destructive testing or chemical analysis on incoming materials and chemicals. TI and TI suppliers consider certain information to be proprietary, and thus CAS numbers and other limited information may not be available for release.

In no event shall TI's liability arising out of such information exceed the total purchase price of the TI part(s) at issue in this document sold by TI to Customer on an annual basis.


MECHANICAL DATA

NT (R-PDIP-T**) 24 PINS SHOWN

PLASTIC DUAL-IN-LINE PACKAGE



4040050/C 04/09

- NOTES:
- A. All linear dimensions are in millimeters. Dimensioning and tolerancing per ASME Y14.5M-1994.
 - B. This drawing is subject to change without notice.
 -  The 28 pin end lead shoulder width is a vendor option, either half or full width.

DW (R-PDSO-G24)

PLASTIC SMALL OUTLINE



- NOTES:
- All linear dimensions are in inches (millimeters). Dimensioning and tolerancing per ASME Y14.5M-1994.
 - This drawing is subject to change without notice.
 - Body dimensions do not include mold flash or protrusion not to exceed 0.006 (0,15).
 - Falls within JEDEC MS-013 variation AD.

IMPORTANT NOTICE

Texas Instruments Incorporated and its subsidiaries (TI) reserve the right to make corrections, enhancements, improvements and other changes to its semiconductor products and services per JESD46, latest issue, and to discontinue any product or service per JESD48, latest issue. Buyers should obtain the latest relevant information before placing orders and should verify that such information is current and complete. All semiconductor products (also referred to herein as "components") are sold subject to TI's terms and conditions of sale supplied at the time of order acknowledgment.

TI warrants performance of its components to the specifications applicable at the time of sale, in accordance with the warranty in TI's terms and conditions of sale of semiconductor products. Testing and other quality control techniques are used to the extent TI deems necessary to support this warranty. Except where mandated by applicable law, testing of all parameters of each component is not necessarily performed.

TI assumes no liability for applications assistance or the design of Buyers' products. Buyers are responsible for their products and applications using TI components. To minimize the risks associated with Buyers' products and applications, Buyers should provide adequate design and operating safeguards.

TI does not warrant or represent that any license, either express or implied, is granted under any patent right, copyright, mask work right, or other intellectual property right relating to any combination, machine, or process in which TI components or services are used. Information published by TI regarding third-party products or services does not constitute a license to use such products or services or a warranty or endorsement thereof. Use of such information may require a license from a third party under the patents or other intellectual property of the third party, or a license from TI under the patents or other intellectual property of TI.

Reproduction of significant portions of TI information in TI data books or data sheets is permissible only if reproduction is without alteration and is accompanied by all associated warranties, conditions, limitations, and notices. TI is not responsible or liable for such altered documentation. Information of third parties may be subject to additional restrictions.

Resale of TI components or services with statements different from or beyond the parameters stated by TI for that component or service voids all express and any implied warranties for the associated TI component or service and is an unfair and deceptive business practice. TI is not responsible or liable for any such statements.

Buyer acknowledges and agrees that it is solely responsible for compliance with all legal, regulatory and safety-related requirements concerning its products, and any use of TI components in its applications, notwithstanding any applications-related information or support that may be provided by TI. Buyer represents and agrees that it has all the necessary expertise to create and implement safeguards which anticipate dangerous consequences of failures, monitor failures and their consequences, lessen the likelihood of failures that might cause harm and take appropriate remedial actions. Buyer will fully indemnify TI and its representatives against any damages arising out of the use of any TI components in safety-critical applications.

In some cases, TI components may be promoted specifically to facilitate safety-related applications. With such components, TI's goal is to help enable customers to design and create their own end-product solutions that meet applicable functional safety standards and requirements. Nonetheless, such components are subject to these terms.

No TI components are authorized for use in FDA Class III (or similar life-critical medical equipment) unless authorized officers of the parties have executed a special agreement specifically governing such use.

Only those TI components which TI has specifically designated as military grade or "enhanced plastic" are designed and intended for use in military/aerospace applications or environments. Buyer acknowledges and agrees that any military or aerospace use of TI components which have **not** been so designated is solely at the Buyer's risk, and that Buyer is solely responsible for compliance with all legal and regulatory requirements in connection with such use.

TI has specifically designated certain components as meeting ISO/TS16949 requirements, mainly for automotive use. In any case of use of non-designated products, TI will not be responsible for any failure to meet ISO/TS16949.

Products

Audio	www.ti.com/audio
Amplifiers	amplifier.ti.com
Data Converters	dataconverter.ti.com
DLP® Products	www.dlp.com
DSP	dsp.ti.com
Clocks and Timers	www.ti.com/clocks
Interface	interface.ti.com
Logic	logic.ti.com
Power Mgmt	power.ti.com
Microcontrollers	microcontroller.ti.com
RFID	www.ti-rfid.com
OMAP Applications Processors	www.ti.com/omap
Wireless Connectivity	www.ti.com/wirelessconnectivity

Applications

Automotive and Transportation	www.ti.com/automotive
Communications and Telecom	www.ti.com/communications
Computers and Peripherals	www.ti.com/computers
Consumer Electronics	www.ti.com/consumer-apps
Energy and Lighting	www.ti.com/energy
Industrial	www.ti.com/industrial
Medical	www.ti.com/medical
Security	www.ti.com/security
Space, Avionics and Defense	www.ti.com/space-avionics-defense
Video and Imaging	www.ti.com/video

TI E2E Community

e2e.ti.com