

# SN54LS597, SN54LS598, SN74LS597, SN74LS598 8-BIT SHIFT REGISTERS WITH INPUT LATCHES

SDLS007

D2635, JANUARY 1981—REVISED MARCH 1988

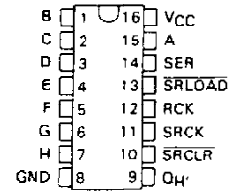
- 8-Bit Parallel Storage Register Inputs ('LS597)
- Parallel 3-State I/O, Storage Register Inputs, Shift Register Outputs ('LS598)
- Shift Register has Direct Overriding Load and Clear
- Accurate Shift-Frequency . . . DC to 20 MHz

## description

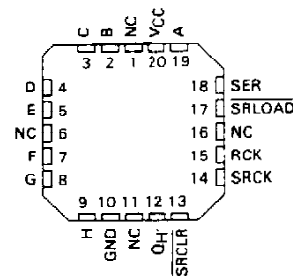
The 'LS597 comes in a 16-pin package and consists of an 8-bit storage latch feeding a parallel-in, serial-out 8-bit shift register. Both the storage register and shift register have positive-edge triggered clocks. The shift register also has direct load (from storage) and clear inputs.

The 'LS598 comes in a 20-pin package and has all the features of the 'LS597 plus 3-state I/O ports that provide parallel shift register outputs and also has multiplexed serial data inputs.

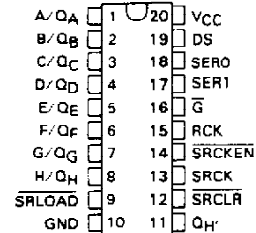
SN54LS597 . . . J OR W PACKAGE  
SN74LS597 . . . N PACKAGE  
(TOP VIEW)



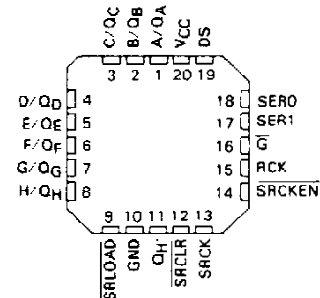
SN54LS597 . . . FK PACKAGE  
(TOP VIEW)



SN54LS598 . . . J OR W PACKAGE  
LS598 . . . DW OR N PACKAGE  
(TOP VIEW)



SN54LS598 . . . FK PACKAGE  
(TOP VIEW)



NC - No internal connection

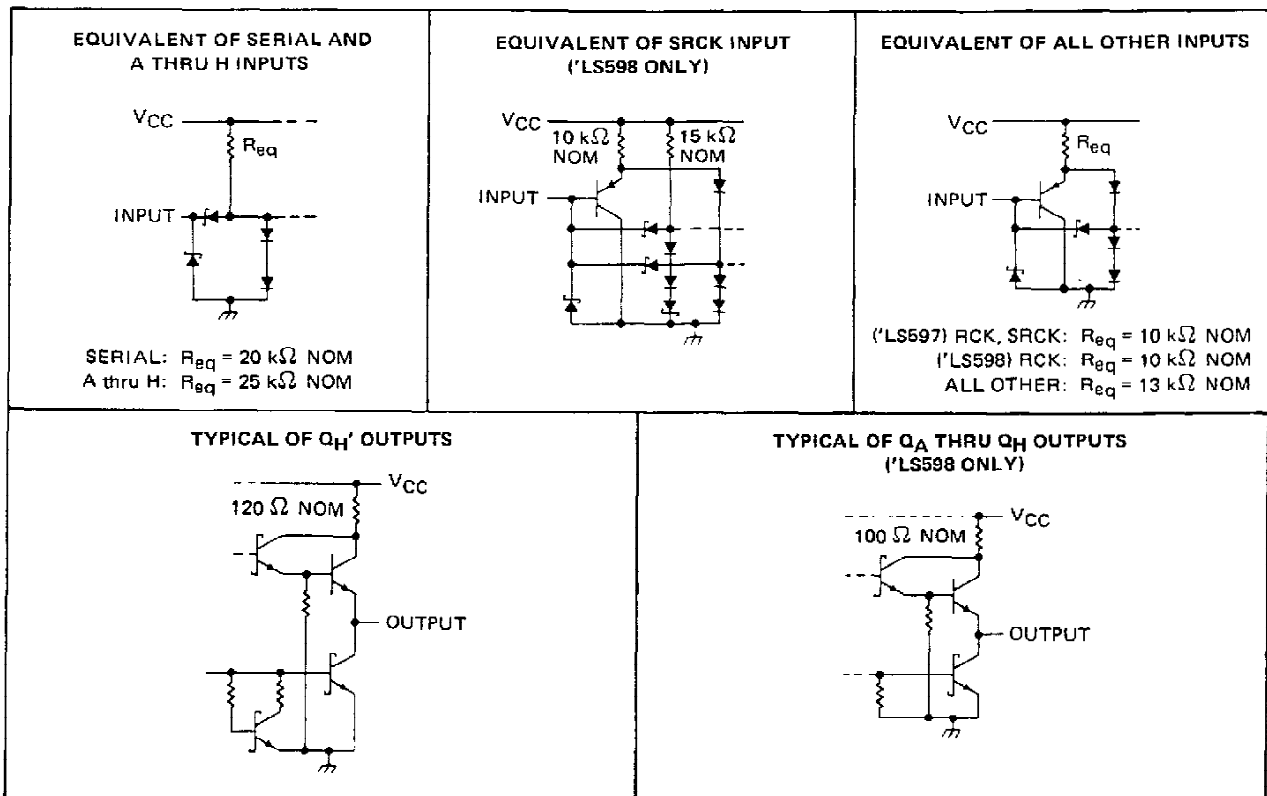
PRODUCTION DATA documents contain information current as of publication date. Products conform to specifications per the terms of Texas Instruments standard warranty. Production processing does not necessarily include testing of all parameters.

**TEXAS  
INSTRUMENTS**

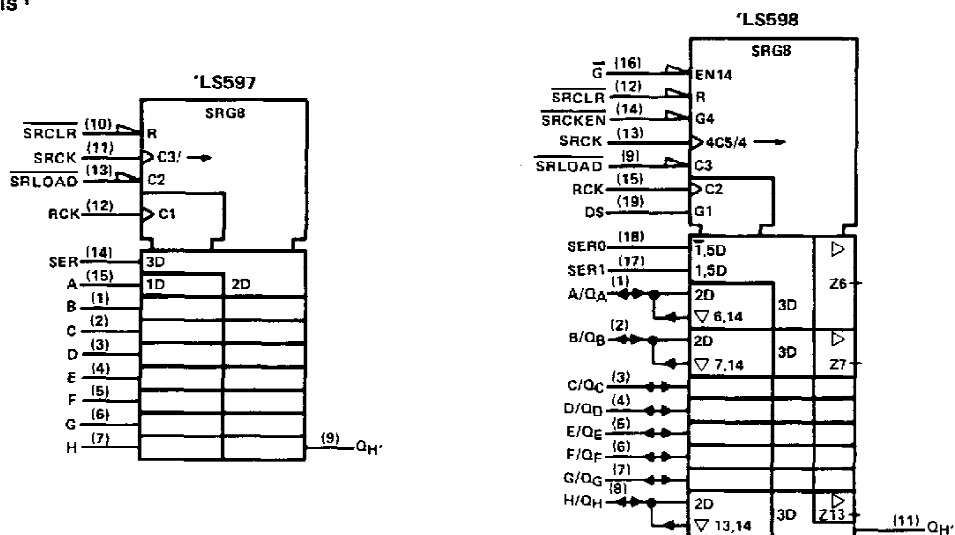
POST OFFICE BOX 655012 • DALLAS, TEXAS 75265

# SN54LS597, SN54LS598, SN74LS597, SN74LS598 8-BIT SHIFT REGISTERS WITH INPUT LATCHES

schematics of inputs and outputs



logic symbols†



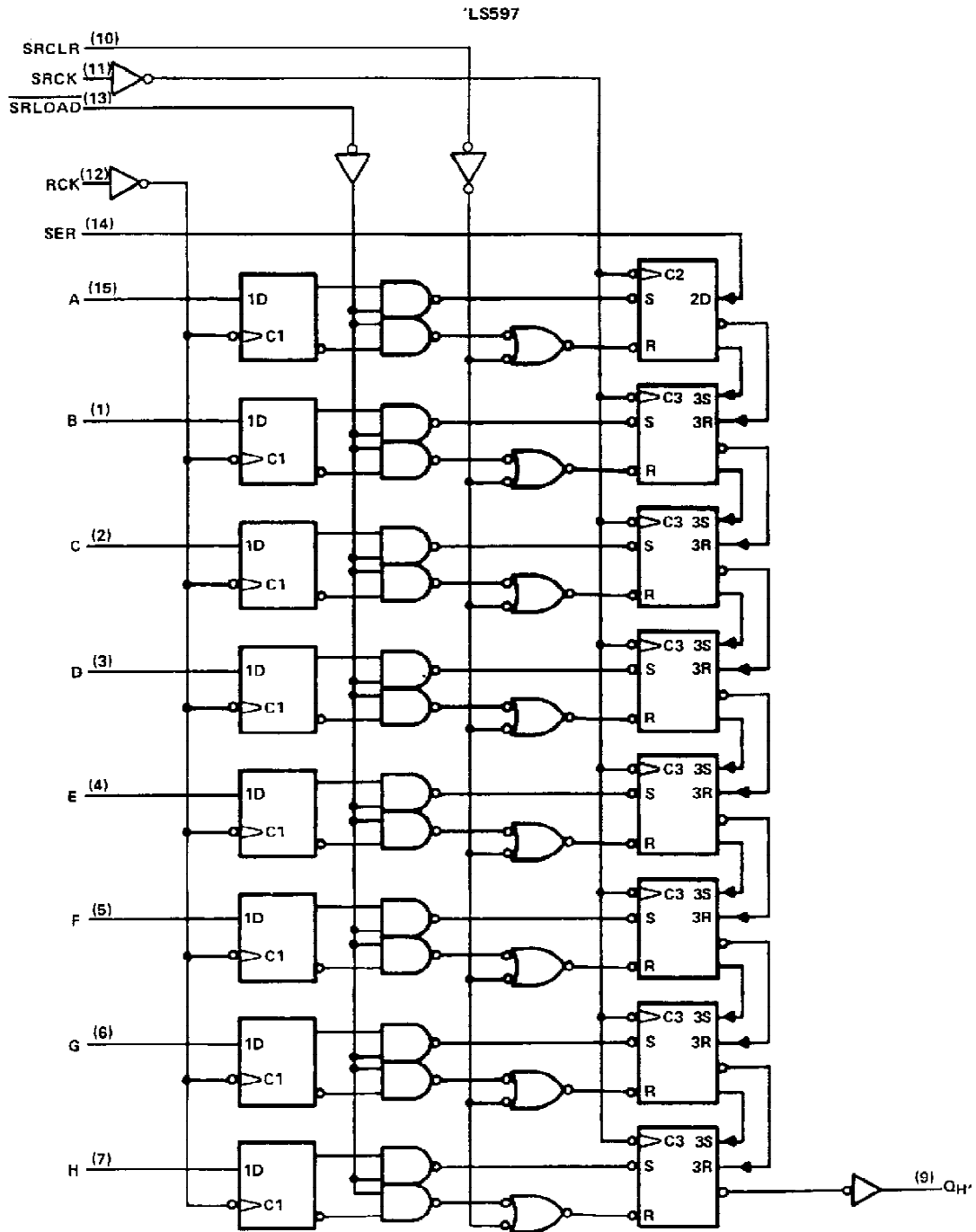
†This symbol is in accordance with ANSI/IEEE Std. 91-1984 and IEC Publication 617-12. Pin numbers shown are for DW, J, N, and W packages.

TEXAS  
INSTRUMENTS

POST OFFICE BOX 655012 • DALLAS, TEXAS 75265

**SN54LS597, SN74LS597**  
**8-BIT SHIFT REGISTERS WITH INPUT LATCHES**

logic diagram (positive logic)



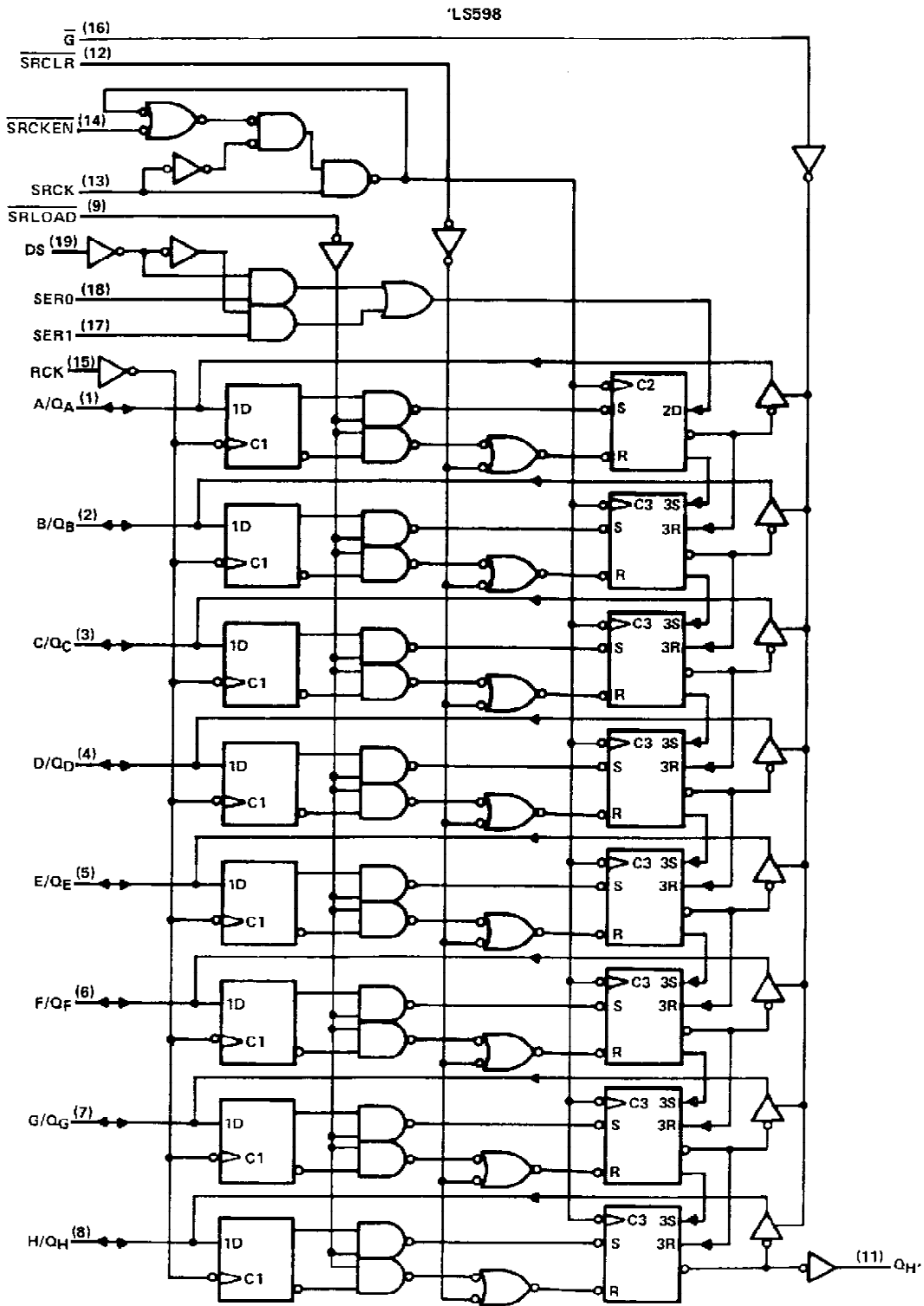
Pin numbers shown are for DW, J, N, and W packages.

**TEXAS**  
**INSTRUMENTS**

POST OFFICE BOX 655012 • DALLAS, TEXAS 75265

# SN54LS598, SN74LS598 8-BIT SHIFT REGISTERS WITH INPUT LATCHES

logic diagram (positive logic)



Pin numbers shown are for DW, J, N, and W packages.

TEXAS  
INSTRUMENTS

POST OFFICE BOX 555012 • DALLAS, TEXAS 75265

# SN54LS597, SN54LS598, SN74LS597, SN74LS598 8-BIT SHIFT REGISTERS WITH INPUT LATCHES

## absolute maximum ratings over operating free-air temperature range (unless otherwise noted)

Supply voltage, $V_{CC}$ (see Note 1) .....	7 V
Input voltage (excluding I/O ports) .....	7 V
Off-state output voltage (including I/O ports) .....	5.5 V
Operating free-air temperature range: SN54LS597, SN54LS598 .....	- 55°C to 125°C
SN74LS597, SN74LS598 .....	0°C to 70°C
Storage temperature range .....	- 65°C to 150°C

NOTE 1: Voltage values are with respect to the network ground terminal.

## recommended operating conditions

		SN54LS'			SN74LS'			UNIT
		MIN	NOM	MAX	MIN	NOM	MAX	
$V_{CC}$	Supply voltage	4.5	5	5.5	4.75	5	5.25	V
$V_{IH}$	High-level input voltage	2			2			V
$V_{IL}$	Low-level input voltage	0.7			0.8			V
$I_{OH}$	High-level output current	$Q_H'$		- 1	- 1		mA	
		$Q_A$ thru $Q_H$ , 'LS598 only		- 1	- 2.6			
$I_{OL}$	Low-level output current	$Q_H'$		8	16		mA	
		$Q_A$ thru $Q_H$ , 'LS598 only		12	24			
$f_{SCK}$	Shift clock frequency	0		20	0		20	MHz
$t_w$	Pulse duration	SRCK	high	15	15		ns	
			low	35	35			
		RCK		20	20			
		SRCLR		20	20			
		SRLOAD		40	40			
$t_{su}$	Setup time	Data before RCK ↑		20	20		ns	
		DS before SRCK ↑ ('LS598 only)		30	30			
		SRCKEN low before SRCK ↑ ('LS598 only)		20	20			
		SRCLR inactive before SRCK ↑		25	25			
		SRLOAD inactive before SRCK ↑		30	30			
		RCK ↑ before SRLOAD ↑ (see Note 2)		40	40			
SER before SRCK ↑		20	20					
$t_h$	Hold time	0		0	0		ns	
$T_A$	Operating free-air temperature	- 55		125	0		70	°C

NOTE 2: The RCK ↑ before SRLOAD ↑ setup time ensures the data saved by RCK ↑ will also be loaded into the shift register.



**SN54LS597, SN54LS598, SN74LS597, SN74LS598**  
**8-BIT SHIFT REGISTERS WITH INPUT LATCHES**

electrical characteristics over recommended operating free-air temperature range (unless otherwise noted)

PARAMETER	TEST CONDITIONS†	SN54LS*		SN74LS*		UNIT		
		MIN	TYP‡	MAX	MIN		TYP‡	MAX
V <sub>IK</sub>	V <sub>CC</sub> = MIN, I <sub>I</sub> = -18 mA			-1.5		-1.5	V	
V <sub>OH</sub>	'LS598 Q Q <sub>H</sub> '	V <sub>CC</sub> = MIN, V <sub>IH</sub> = 2 V, V <sub>IL</sub> = MAX	I <sub>OH</sub> = -1 mA	2.4	3.2			
			I <sub>OH</sub> = -2.6 mA			2.4	3.1	
V <sub>OL</sub>	'LS598 Q Q <sub>H</sub> '	V <sub>CC</sub> = MIN, V <sub>IH</sub> = 2 V, V <sub>IL</sub> = MAX	I <sub>OL</sub> = 12 mA		0.25	0.4	0.25	0.4
			I <sub>OL</sub> = 24 mA				0.35	0.5
			I <sub>OL</sub> = 8 mA		0.25	0.4	0.25	0.4
			I <sub>OL</sub> = 16 mA				0.35	0.5
I <sub>OZH</sub>	'LS598 Q	V <sub>CC</sub> = MAX, V <sub>O</sub> = 2.7 V	V <sub>IH</sub> = 2 V, V <sub>IL</sub> = MAX,			20	20	μA
I <sub>OZL</sub>	'LS598 Q	V <sub>CC</sub> = MAX, V <sub>O</sub> = 0.4 V	V <sub>IH</sub> = 2 V, V <sub>IL</sub> = MAX,			-0.4	-0.4	mA
I <sub>I</sub>	'LS598 Q	V <sub>CC</sub> = MAX	V <sub>I</sub> = 5.5 V			0.1	0.1	mA
	Others		V <sub>I</sub> = 7 V			0.1	0.1	mA
I <sub>IH</sub>		V <sub>CC</sub> = MAX, V <sub>I</sub> = 2.7 V				20	20	μA
I <sub>IL</sub>	'LS598 SRCK	V <sub>CC</sub> = MAX, V <sub>I</sub> = 0.4 V				-0.8	-0.8	mA
	SER, A Thru H					-0.4	-0.4	mA
	Others					-0.2	-0.2	mA
I <sub>OS</sub> §	'LS598 Q	V <sub>CC</sub> = MAX, V <sub>O</sub> = 0 V				-30	-130	mA
	Q <sub>H</sub> '					-20	-100	mA
I <sub>CC</sub>	'LS597	V <sub>CC</sub> = MAX, All possible inputs grounded, All outputs open	I <sub>CC</sub> H	35	53	35	53	mA
			I <sub>CC</sub> L	35	53	35	53	
	'LS598		I <sub>CC</sub> H	45	68	45	68	
			I <sub>CC</sub> L	54	80	54	80	
			I <sub>CC</sub> Z	56	85	56	85	

† For conditions shown as MIN or MAX, use the appropriate value specified under recommended operating conditions.

‡ All typical values are at V<sub>CC</sub> = 5 V, T<sub>A</sub> = 25°C

§ Not more than one output should be shorted at a time and the duration of the short-circuit should not exceed one second.

**SN54LS597, SN54LS598, SN74LS597, SN74LS598  
8-BIT SHIFT REGISTERS WITH INPUT LATCHES**

switching characteristics,  $V_{CC} = 5\text{ V}$ ,  $T_A = 25^\circ\text{C}$ . (see note 3)

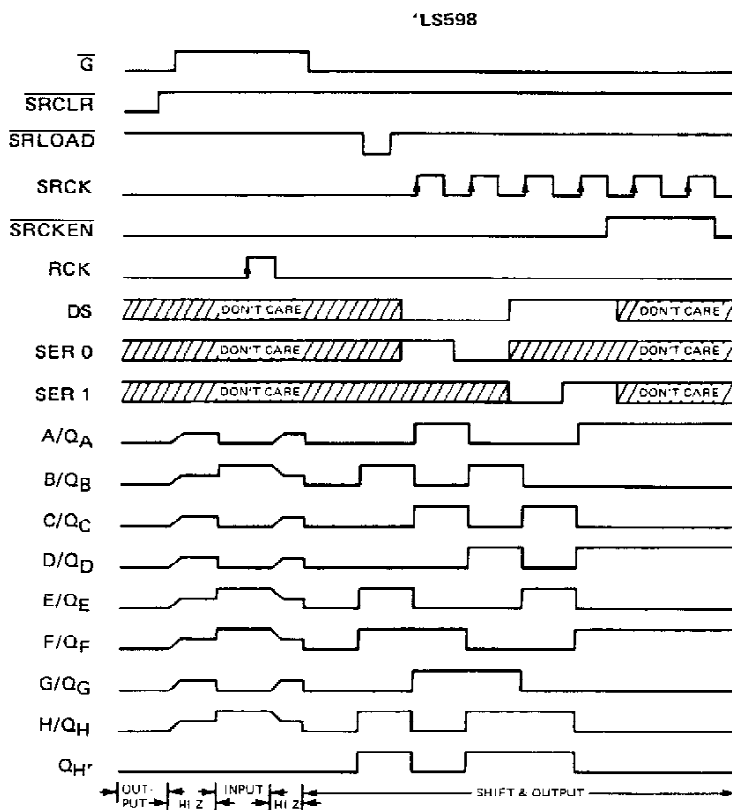
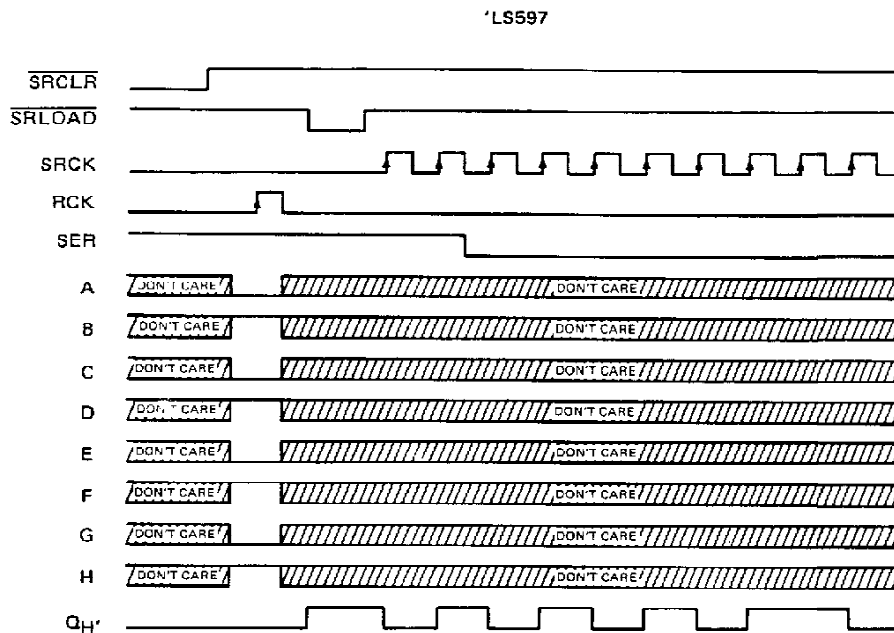
PARAMETER	FROM (INPUT)	TO (OUTPUT)	TEST CONDITIONS	LS597			LS598			UNIT
				MIN	TYP	MAX	MIN	TYP	MAX	
$f_{max}$	SRCK	Q	$R_L = 667\ \Omega$ , $C_L = 45\ \mu\text{F}$	20	35		20	35		MHz
$f_{max}$	SRCK	$Q_H'$	$R_L = 1\ \text{k}\Omega$ , $C_L = 30\ \text{pF}$	20	35					MHz
$t_{PLH}$	SRCK $\uparrow$	$Q_H'$	$R_L = 1\ \text{k}\Omega$ , $C_L = 30\ \text{pF}$		15	23		11	17	ns
$t_{PHL}$	SPCK $\uparrow$	$Q_H'$			20	30		15	23	ns
$t_{PLH}$	$\overline{\text{SRLOAD}}\downarrow$	$Q_H'$			38	57		28	42	ns
$t_{PHL}$	$\overline{\text{SRLOAD}}\downarrow$	$Q_H'$			29	44		20	30	ns
$t_{PHL}$	SRCLR $\downarrow$	$Q_H'$			24	36		18	27	ns
$t_{PLH}$	RCK $\uparrow$	$Q_H'$	$R_L = 1\ \text{k}\Omega$ , $C_L = 30\ \text{pF}$ SRLOAD = L	41	60		32	48		ns
$t_{PHL}$	RCK $\uparrow$	$Q_H'$			32	48		24	36	ns
$t_{PLH}$	SRCK $\uparrow$	Q	$R_L = 667\ \Omega$ , $C_L = 45\ \text{pF}$					12	18	ns
$t_{PHL}$	SRCK $\uparrow$	Q						19	28	ns
$t_{PLH}$	$\overline{\text{SRLOAD}}\downarrow$	Q						32	48	ns
$t_{PHL}$	$\overline{\text{SRLOAD}}\downarrow$	Q						27	40	ns
$t_{PHL}$	SRCLR $\downarrow$	Q						25	38	ns
$t_{PZH}$	G $\downarrow$	Q						26	31	ns
$t_{PZL}$	G $\downarrow$	Q						29	43	ns
$t_{PHZ}$	G $\uparrow$	Q	$R_L = 667\ \Omega$ , $C_L = 5\ \text{pF}$					25	38	ns
$t_{PLZ}$	G $\uparrow$	Q						20	30	ns

NOTE 3: Load circuits and voltage waveforms are shown in Section 1.



# SN54LS597, SN54LS598, SN74LS597, SN74LS598 8-BIT SHIFT REGISTERS WITH INPUT LATCHES

typical operating sequences



  
**TEXAS  
INSTRUMENTS**

POST OFFICE BOX 655012 • DALLAS, TEXAS 75265

**PACKAGING INFORMATION**

Orderable Device	Status (1)	Package Type	Package Drawing	Pins	Package Qty	Eco Plan (2)	Lead finish/ Ball material (6)	MSL Peak Temp (3)	Op Temp (°C)	Device Marking (4/5)	Samples
5962-89444012A	ACTIVE	LCCC	FK	20	1	Non-RoHS & Green	SNPB	N / A for Pkg Type	-55 to 125	5962-89444012A SNJ54LS 597FK	<a href="#">Samples</a>
5962-8944401EA	ACTIVE	CDIP	J	16	1	Non-RoHS & Green	SNPB	N / A for Pkg Type	-55 to 125	5962-8944401EA SNJ54LS597J	<a href="#">Samples</a>
5962-8944401EA	ACTIVE	CDIP	J	16	1	Non-RoHS & Green	SNPB	N / A for Pkg Type	-55 to 125	5962-8944401EA SNJ54LS597J	<a href="#">Samples</a>
5962-8944401FA	ACTIVE	CFP	W	16	1	Non-RoHS & Green	SNPB	N / A for Pkg Type	-55 to 125	5962-8944401FA SNJ54LS597W	<a href="#">Samples</a>
5962-8944401FA	ACTIVE	CFP	W	16	1	Non-RoHS & Green	SNPB	N / A for Pkg Type	-55 to 125	5962-8944401FA SNJ54LS597W	<a href="#">Samples</a>
SN74LS597D	ACTIVE	SOIC	D	16	40	RoHS & Green	NIPDAU	Level-1-260C-UNLIM	0 to 70	LS597	<a href="#">Samples</a>
SN74LS597D	ACTIVE	SOIC	D	16	40	RoHS & Green	NIPDAU	Level-1-260C-UNLIM	0 to 70	LS597	<a href="#">Samples</a>
SN74LS597N	ACTIVE	PDIP	N	16	25	RoHS & Green	NIPDAU	N / A for Pkg Type	0 to 70	SN74LS597N	<a href="#">Samples</a>
SN74LS597N	ACTIVE	PDIP	N	16	25	RoHS & Green	NIPDAU	N / A for Pkg Type	0 to 70	SN74LS597N	<a href="#">Samples</a>
SN74LS598N	ACTIVE	PDIP	N	20	20	RoHS & Green	NIPDAU	N / A for Pkg Type	0 to 70	SN74LS598N	<a href="#">Samples</a>
SN74LS598N	ACTIVE	PDIP	N	20	20	RoHS & Green	NIPDAU	N / A for Pkg Type	0 to 70	SN74LS598N	<a href="#">Samples</a>
SNJ54LS597FK	ACTIVE	LCCC	FK	20	1	Non-RoHS & Green	SNPB	N / A for Pkg Type	-55 to 125	5962-89444012A SNJ54LS 597FK	<a href="#">Samples</a>
SNJ54LS597FK	ACTIVE	LCCC	FK	20	1	Non-RoHS & Green	SNPB	N / A for Pkg Type	-55 to 125	5962-89444012A SNJ54LS 597FK	<a href="#">Samples</a>
SNJ54LS597J	ACTIVE	CDIP	J	16	1	Non-RoHS & Green	SNPB	N / A for Pkg Type	-55 to 125	5962-8944401EA SNJ54LS597J	<a href="#">Samples</a>
SNJ54LS597J	ACTIVE	CDIP	J	16	1	Non-RoHS & Green	SNPB	N / A for Pkg Type	-55 to 125	5962-8944401EA SNJ54LS597J	<a href="#">Samples</a>

Orderable Device	Status (1)	Package Type	Package Drawing	Pins	Package Qty	Eco Plan (2)	Lead finish/ Ball material (6)	MSL Peak Temp (3)	Op Temp (°C)	Device Marking (4/5)	Samples
SNJ54LS597W	ACTIVE	CFP	W	16	1	Non-RoHS & Green	SNPB	N / A for Pkg Type	-55 to 125	5962-8944401FA SNJ54LS597W	Samples
SNJ54LS597W	ACTIVE	CFP	W	16	1	Non-RoHS & Green	SNPB	N / A for Pkg Type	-55 to 125	5962-8944401FA SNJ54LS597W	Samples

(1) The marketing status values are defined as follows:

**ACTIVE:** Product device recommended for new designs.

**LIFEBUY:** TI has announced that the device will be discontinued, and a lifetime-buy period is in effect.

**NRND:** Not recommended for new designs. Device is in production to support existing customers, but TI does not recommend using this part in a new design.

**PREVIEW:** Device has been announced but is not in production. Samples may or may not be available.

**OBSELETE:** TI has discontinued the production of the device.

(2) **RoHS:** TI defines "RoHS" to mean semiconductor products that are compliant with the current EU RoHS requirements for all 10 RoHS substances, including the requirement that RoHS substance do not exceed 0.1% by weight in homogeneous materials. Where designed to be soldered at high temperatures, "RoHS" products are suitable for use in specified lead-free processes. TI may reference these types of products as "Pb-Free".

**RoHS Exempt:** TI defines "RoHS Exempt" to mean products that contain lead but are compliant with EU RoHS pursuant to a specific EU RoHS exemption.

**Green:** TI defines "Green" to mean the content of Chlorine (Cl) and Bromine (Br) based flame retardants meet JS709B low halogen requirements of <=1000ppm threshold. Antimony trioxide based flame retardants must also meet the <=1000ppm threshold requirement.

(3) MSL, Peak Temp. - The Moisture Sensitivity Level rating according to the JEDEC industry standard classifications, and peak solder temperature.

(4) There may be additional marking, which relates to the logo, the lot trace code information, or the environmental category on the device.

(5) Multiple Device Markings will be inside parentheses. Only one Device Marking contained in parentheses and separated by a "-" will appear on a device. If a line is indented then it is a continuation of the previous line and the two combined represent the entire Device Marking for that device.

(6) Lead finish/Ball material - Orderable Devices may have multiple material finish options. Finish options are separated by a vertical ruled line. Lead finish/Ball material values may wrap to two lines if the finish value exceeds the maximum column width.

**Important Information and Disclaimer:**The information provided on this page represents TI's knowledge and belief as of the date that it is provided. TI bases its knowledge and belief on information provided by third parties, and makes no representation or warranty as to the accuracy of such information. Efforts are underway to better integrate information from third parties. TI has taken and continues to take reasonable steps to provide representative and accurate information but may not have conducted destructive testing or chemical analysis on incoming materials and chemicals. TI and TI suppliers consider certain information to be proprietary, and thus CAS numbers and other limited information may not be available for release.

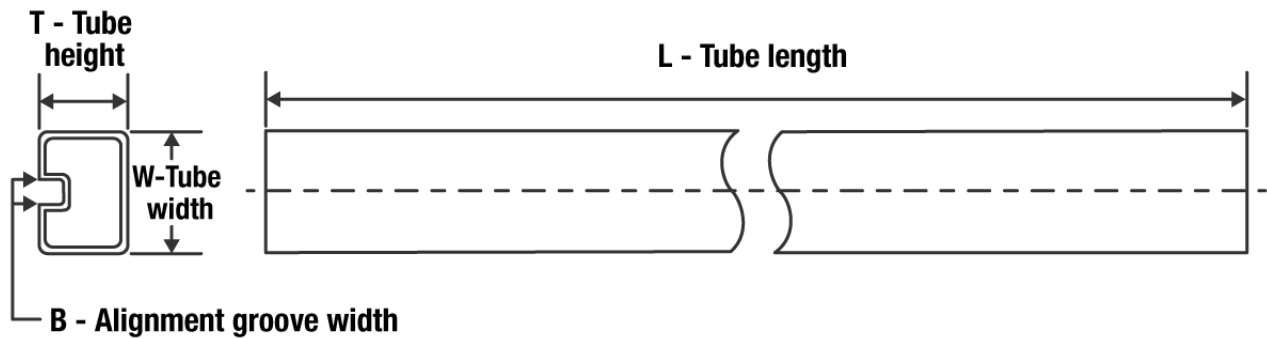
In no event shall TI's liability arising out of such information exceed the total purchase price of the TI part(s) at issue in this document sold by TI to Customer on an annual basis.

**OTHER QUALIFIED VERSIONS OF SN54LS597, SN74LS597 :**

- Catalog : [SN74LS597](#)
- Military : [SN54LS597](#)

## NOTE: Qualified Version Definitions:

- Catalog - TI's standard catalog product
- Military - QML certified for Military and Defense Applications

**TUBE**


\*All dimensions are nominal

Device	Package Name	Package Type	Pins	SPQ	L (mm)	W (mm)	T (μm)	B (mm)
5962-89444012A	FK	LCCC	20	1	506.98	12.06	2030	NA
SN74LS597D	D	SOIC	16	40	507	8	3940	4.32
SN74LS597N	N	PDIP	16	25	506	13.97	11230	4.32
SN74LS597N	N	PDIP	16	25	506	13.97	11230	4.32
SN74LS598N	N	PDIP	20	20	506	13.97	11230	4.32
SNJ54LS597FK	FK	LCCC	20	1	506.98	12.06	2030	NA

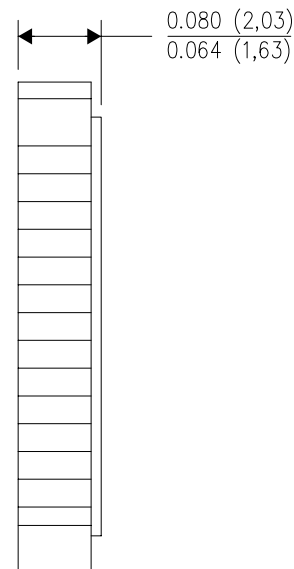
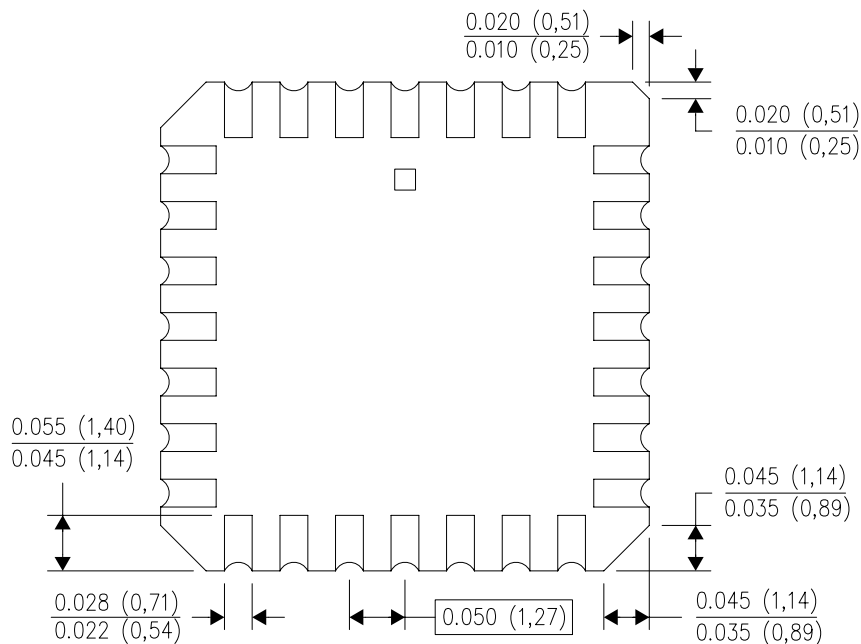
FK (S-CQCC-N\*\*)

LEADLESS CERAMIC CHIP CARRIER

28 TERMINAL SHOWN



NO. OF TERMINALS **	A		B	
	MIN	MAX	MIN	MAX
20	0.342 (8,69)	0.358 (9,09)	0.307 (7,80)	0.358 (9,09)
28	0.442 (11,23)	0.458 (11,63)	0.406 (10,31)	0.458 (11,63)
44	0.640 (16,26)	0.660 (16,76)	0.495 (12,58)	0.560 (14,22)
52	0.740 (18,78)	0.761 (19,32)	0.495 (12,58)	0.560 (14,22)
68	0.938 (23,83)	0.962 (24,43)	0.850 (21,6)	0.858 (21,8)
84	1.141 (28,99)	1.165 (29,59)	1.047 (26,6)	1.063 (27,0)



4040140/D 01/11

- NOTES:
- All linear dimensions are in inches (millimeters).
  - This drawing is subject to change without notice.
  - This package can be hermetically sealed with a metal lid.
  - Falls within JEDEC MS-004

D (R-PDSO-G16)

PLASTIC SMALL OUTLINE



- NOTES:
- A. All linear dimensions are in inches (millimeters).
  - B. This drawing is subject to change without notice.
  - C. Body length does not include mold flash, protrusions, or gate burrs. Mold flash, protrusions, or gate burrs shall not exceed 0.006 (0,15) each side.
  - D. Body width does not include interlead flash. Interlead flash shall not exceed 0.017 (0,43) each side.
  - E. Reference JEDEC MS-012 variation AC.

D (R-PDSO-G16)

PLASTIC SMALL OUTLINE



- NOTES:
- A. All linear dimensions are in millimeters.
  - B. This drawing is subject to change without notice.
  - C. Publication IPC-7351 is recommended for alternate designs.
  - D. Laser cutting apertures with trapezoidal walls and also rounding corners will offer better paste release. Customers should contact their board assembly site for stencil design recommendations. Refer to IPC-7525 for other stencil recommendations.
  - E. Customers should contact their board fabrication site for solder mask tolerances between and around signal pads.

W (R-GDFP-F16)

CERAMIC DUAL FLATPACK



4040180-3/F 04/14

- NOTES:
- A. All linear dimensions are in inches (millimeters).
  - B. This drawing is subject to change without notice.
  - C. This package can be hermetically sealed with a ceramic lid using glass frit.
  - D. Index point is provided on cap for terminal identification only.
  - E. Falls within MIL STD 1835 GDFP2-F16

J (R-GDIP-T\*\*)

14 LEADS SHOWN

CERAMIC DUAL IN-LINE PACKAGE



DIM \ PINS **	14	16	18	20
A	0.300 (7,62) BSC	0.300 (7,62) BSC	0.300 (7,62) BSC	0.300 (7,62) BSC
B MAX	0.785 (19,94)	.840 (21,34)	0.960 (24,38)	1.060 (26,92)
B MIN	—	—	—	—
C MAX	0.300 (7,62)	0.300 (7,62)	0.310 (7,87)	0.300 (7,62)
C MIN	0.245 (6,22)	0.245 (6,22)	0.220 (5,59)	0.245 (6,22)



4040083/F 03/03

- NOTES:
- All linear dimensions are in inches (millimeters).
  - This drawing is subject to change without notice.
  - This package is hermetically sealed with a ceramic lid using glass frit.
  - Index point is provided on cap for terminal identification only on press ceramic glass frit seal only.
  - Falls within MIL STD 1835 GDIP1-T14, GDIP1-T16, GDIP1-T18 and GDIP1-T20.

N (R-PDIP-T\*\*)

PLASTIC DUAL-IN-LINE PACKAGE

16 PINS SHOWN



- NOTES:
- A. All linear dimensions are in inches (millimeters).
  - B. This drawing is subject to change without notice.
  - Falls within JEDEC MS-001, except 18 and 20 pin minimum body length (Dim A).
  - The 20 pin end lead shoulder width is a vendor option, either half or full width.

## IMPORTANT NOTICE AND DISCLAIMER

TI PROVIDES TECHNICAL AND RELIABILITY DATA (INCLUDING DATA SHEETS), DESIGN RESOURCES (INCLUDING REFERENCE DESIGNS), APPLICATION OR OTHER DESIGN ADVICE, WEB TOOLS, SAFETY INFORMATION, AND OTHER RESOURCES "AS IS" AND WITH ALL FAULTS, AND DISCLAIMS ALL WARRANTIES, EXPRESS AND IMPLIED, INCLUDING WITHOUT LIMITATION ANY IMPLIED WARRANTIES OF MERCHANTABILITY, FITNESS FOR A PARTICULAR PURPOSE OR NON-INFRINGEMENT OF THIRD PARTY INTELLECTUAL PROPERTY RIGHTS.

These resources are intended for skilled developers designing with TI products. You are solely responsible for (1) selecting the appropriate TI products for your application, (2) designing, validating and testing your application, and (3) ensuring your application meets applicable standards, and any other safety, security, regulatory or other requirements.

These resources are subject to change without notice. TI grants you permission to use these resources only for development of an application that uses the TI products described in the resource. Other reproduction and display of these resources is prohibited. No license is granted to any other TI intellectual property right or to any third party intellectual property right. TI disclaims responsibility for, and you will fully indemnify TI and its representatives against, any claims, damages, costs, losses, and liabilities arising out of your use of these resources.

TI's products are provided subject to [TI's Terms of Sale](#) or other applicable terms available either on [ti.com](http://ti.com) or provided in conjunction with such TI products. TI's provision of these resources does not expand or otherwise alter TI's applicable warranties or warranty disclaimers for TI products.

TI objects to and rejects any additional or different terms you may have proposed.

Mailing Address: Texas Instruments, Post Office Box 655303, Dallas, Texas 75265  
Copyright © 2022, Texas Instruments Incorporated