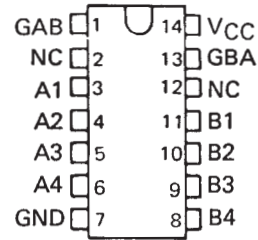


# SN54LS242, SN54LS243, SN74LS242, SN74LS243 QUADRUPLE BUS TRANSCEIVERS

SDLS145 – APRIL 1985 – REVISED MARCH 1988

- Two-Way Asynchronous Communication Between Data Buses
- PNP Inputs Reduce D-C Loading
- Hysteresis (Typically 400 mV) at Inputs Improves Noise Margin

SN54LS242, SN54LS243 . . . J OR W PACKAGE  
SN74LS242, SN74LS243 . . . D OR N PACKAGE  
(TOP VIEW)

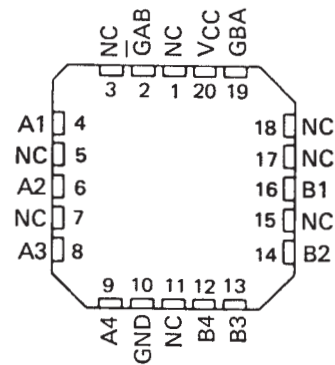


## description

These four-data-line transceivers are designed for asynchronous two-way communications between data buses. The SN74LS' can be used to drive terminated lines down to 133 ohms.

The SN54' family is characterized for operation over the full military temperature range of  $-55^{\circ}\text{C}$  to  $125^{\circ}\text{C}$ . The SN74' family is characterized for operation from  $0^{\circ}\text{C}$  to  $70^{\circ}\text{C}$ .

SN54LS242, SN54LS243 . . . FK PACKAGE  
(TOP VIEW)

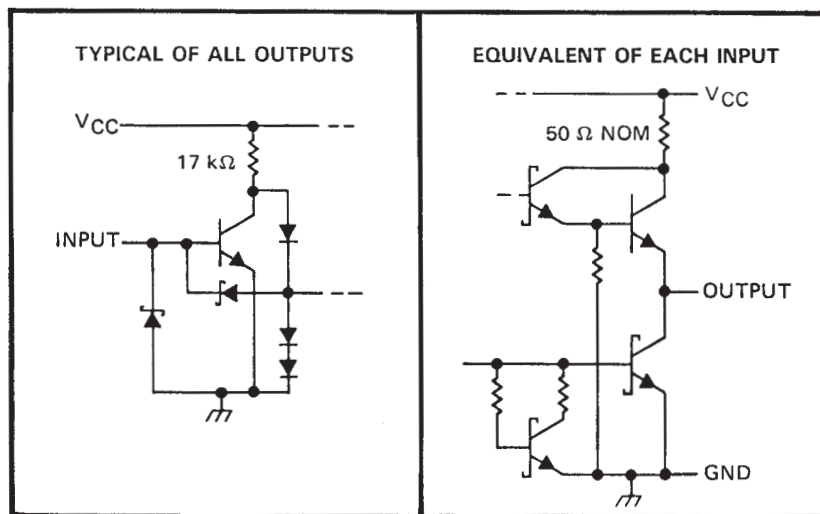


FUNCTION TABLE (EACH TRANSCEIVER)

INPUTS		'LS242	'LS243
$\bar{G}AB$	GBA		
L	L	$\bar{A}$ to B	A to B
H	H	$\bar{B}$ to A	B to A
H	L	Isolation	Isolation
L	H	Latch A and B ( $A = \bar{B}$ )	Latch A and B ( $A = B$ )

NC—No internal connection

## schematics of inputs and outputs



PRODUCTION DATA information is current as of publication date. Products conform to specifications per the terms of Texas Instruments standard warranty. Production processing does not necessarily include testing of all parameters.

 **TEXAS  
INSTRUMENTS**

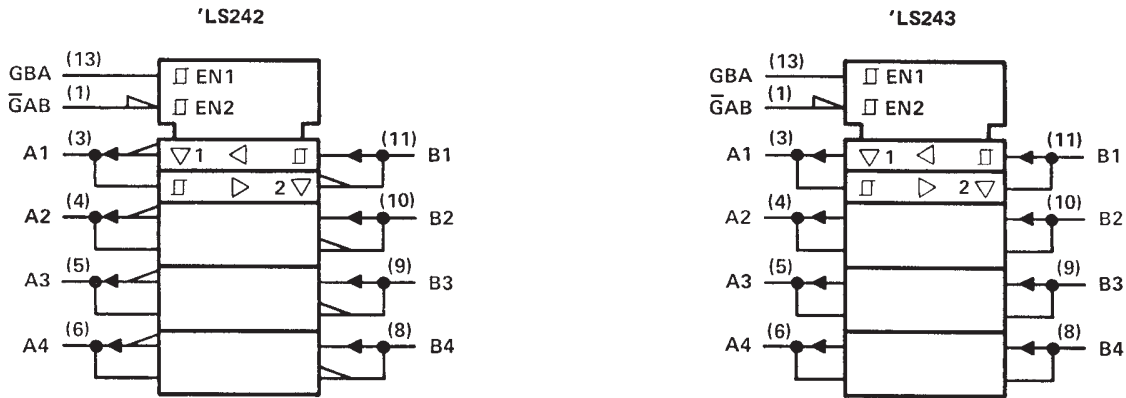
POST OFFICE BOX 655303 • DALLAS, TEXAS 75265

Copyright © 1988, Texas Instruments Incorporated

# SN54LS242, SN54LS243, SN74LS242, SN74LS243 QUADRUPLE BUS TRANSCEIVERS

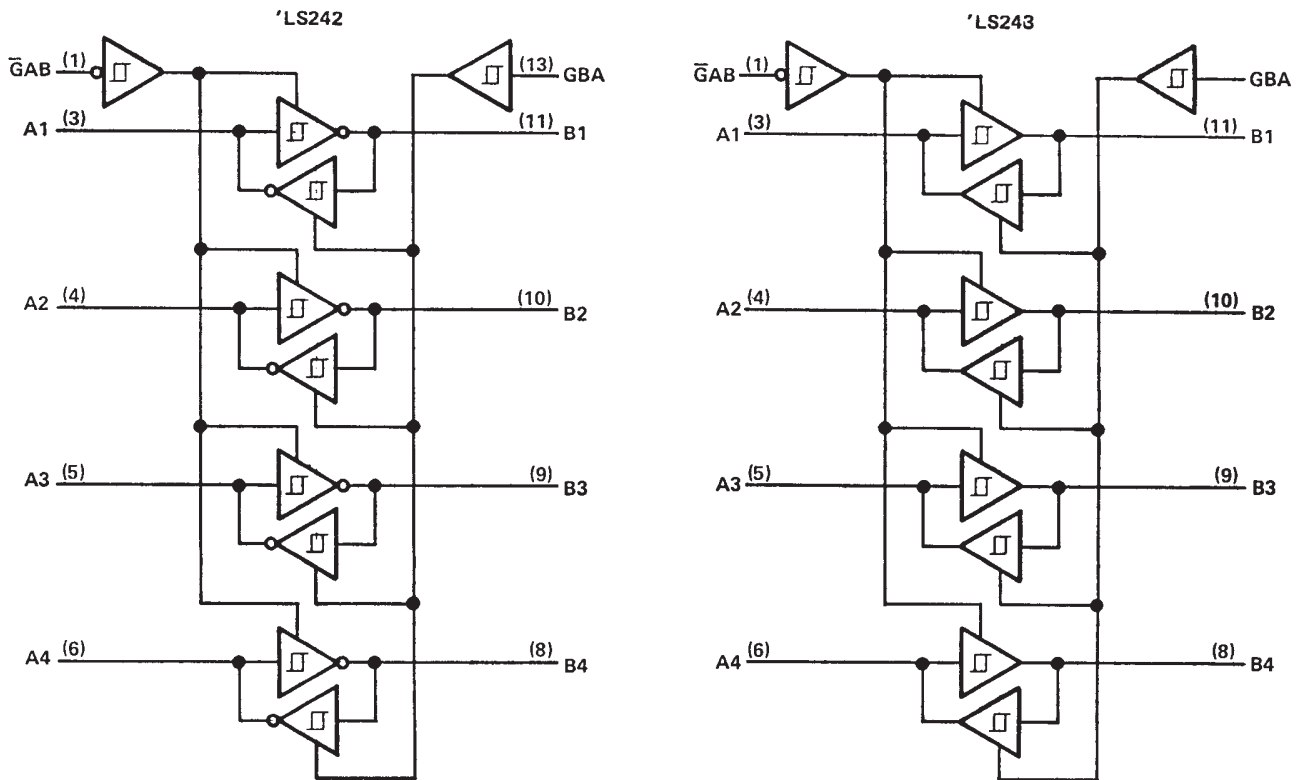
SDLS145 – APRIL 1985 – REVISED MARCH 1988

## logic symbols†



†These symbols are in accordance with ANSI/IEEE Std. 91-1984 and IEC Publication 617-12.

## logic diagrams (positive logic)



Pin numbers shown are for D, J, N, and W packages.

## absolute maximum ratings over operating free-air temperature range (unless otherwise noted)

Supply voltage, $V_{CC}$ (see Note 1) .....	7 V
Input voltage .....	7 V
Off-state output voltage .....	5.5 V
Operating free-air temperature range: SN54LS' .....	-55°C to 125°C
SN74LS' .....	0°C to 70°C
Storage temperature range .....	-65°C to 150°C

NOTE 1: Voltage values are with respect to network ground terminal.



POST OFFICE BOX 655303 • DALLAS, TEXAS 75265

# SN54LS242, SN54LS243, SN74LS242, SN74LS243 QUADRUPLE BUS TRANSCEIVERS

SDLS145 – APRIL 1985 – REVISED MARCH 1988

## recommended operating conditions

		SN54LS'			SN74LS'			UNIT		
		MIN	NOM	MAX	MIN	NOM	MAX			
$V_{CC}$	Supply voltage, (see Note 1)	4.5	5	5.5	4.75	5	5.25	V		
$V_{IH}$	High-level input voltage	2			2			V		
$V_{IL}$	Low-level input voltage	0.7			0.8			V		
$I_{OH}$	High-level output current	-12			-15			mA		
$I_{OL}$	Low-level output current	12			24			mA		
$T_A$	Operating free-air temperature	-55			125			0	70	°C

## electrical characteristics over recommended operating free-air temperature range (unless otherwise noted)

PARAMETER	TEST CONDITIONS†	SN54LS'			SN74LS'			UNIT		
		MIN	TYP‡	MAX	MIN	TYP‡	MAX			
$V_{IK}$	A or B	$V_{CC} = \text{MIN}, I_I = -18 \text{ mA}$			-1.5			V		
Hysteresis ( $V_{T+} - V_{T-}$ )		$V_{CC} = \text{MIN}$			0.2	0.4	0.2	0.4	V	
$V_{OH}$		$V_{CC} = \text{MIN}, V_{IH} = 2 \text{ V}, V_{IL} = \text{MAX}, I_{OH} = -3 \text{ mA}$			2.4	3.1	2.4	3.1	V	
		$V_{CC} = \text{MIN}, V_{IH} = 2 \text{ V}, V_{IL} = 0.5 \text{ V}, I_{OH} = \text{MAX}$			2					
$V_{OL}$		$V_{CC} = \text{MIN}, V_{IH} = 2 \text{ V}, V_{IL} = \text{MAX}$			0.25	0.4	0.25	0.4	V	
					$I_{OL} = 12 \text{ mA}$					
					$I_{OL} = 24 \text{ mA}$					
$I_{OZH}$		$V_{CC} = \text{MAX}, V_{IH} = 2 \text{ V}, V_{IL} = \text{MAX}$			40			$\mu\text{A}$		
$I_{OZL}$					-200			$\mu\text{A}$		
$I_I$	A or B	$V_{CC} = \text{MAX}, V_I = 5.5 \text{ V}$			0.1			mA		
	$\overline{\text{GAB}}$ or GBA	$V_{CC} = \text{MAX}, V_I = 7 \text{ V}$			0.1					
$I_{IH}$		$V_{CC} = \text{MAX}, V_I = 2.7 \text{ V}$			20			$\mu\text{A}$		
$I_{IL}$	A inputs	$V_{CC} = \text{MAX}, V_I = 0.4 \text{ V}, \overline{\text{GAB}}$ and GBA at 0 V			-0.2			mA		
	B inputs	$V_{CC} = \text{MAX}, V_I = 0.4 \text{ V}, \overline{\text{GAB}}$ and GBA at 4.5 V			-0.2					
	$\overline{\text{GAB}}$ or GBA	$V_{CC} = \text{MAX}, V_I = 0.4 \text{ V}$			-0.2					
$I_{OS}\S$		$V_{CC} = \text{MAX}$			-40	-225	-40	-225	mA	
$I_{CC}$	Outputs high				'LS242, 'LS243	22	38	22	38	mA
	Outputs low	$V_{CC} = \text{MAX},$ Outputs open,			'LS242, 'LS243	29	50	29	50	
	All outputs disabled	See Note 2			'LS242	29	50	29	50	
					'LS243	32	54	32	54	

† For conditions shown as MIN or MAX, use the appropriate value specified under recommended operating conditions.

‡ All typical values are at  $V_{CC} = 5 \text{ V}, T_A = 25^\circ\text{C}$ .

§ Not more than one output should be shorted at a time, and duration of the short-circuit should not exceed one second.

NOTE 2:  $I_{CC}$  is measured with transceivers enabled in one direction only, or with all transceivers disabled.

## switching characteristics, $V_{CC} = 5 \text{ V}, T_A = 25^\circ\text{C}$

PARAMETER	TEST CONDITIONS	'LS242			'LS243			UNIT	
		MIN	TYP	MAX	MIN	TYP	MAX		
$t_{PLH}$	$R_L = 667 \Omega$ See Note 3				9	14	12	18	ns
$t_{PHL}$					12	18	12	18	ns
$t_{PZL}$					20	30	20	30	ns
$t_{PZH}$					15	23	15	23	ns
$t_{PLZ}$	$R_L = 667 \Omega,$ See Note 3				10	20	10	20	ns
$t_{PHZ}$					15	25	15	25	ns

NOTE 3: Load circuits and voltage waveforms are shown in Section 1.



**PACKAGING INFORMATION**

Orderable Device	Status <sup>(1)</sup>	Package Type	Package Drawing	Pins	Package Qty	Eco Plan <sup>(2)</sup>	Lead/Ball Finish	MSL Peak Temp <sup>(3)</sup>
80020012A	OBSOLETE	LCCC	FK	20		TBD	Call TI	Call TI
8002001CA	OBSOLETE	CDIP	J	14		TBD	Call TI	Call TI
8002001CA	OBSOLETE	CDIP	J	14		TBD	Call TI	Call TI
8002001DA	OBSOLETE	CFP	W	14		TBD	Call TI	Call TI
8002001DA	OBSOLETE	CFP	W	14		TBD	Call TI	Call TI
80020022A	OBSOLETE			20		TBD	Call TI	Call TI
80020022A	OBSOLETE			20		TBD	Call TI	Call TI
8002002CA	ACTIVE	CDIP	J	14	1	TBD	A42 SNPB	N / A for Pkg Type
8002002CA	ACTIVE	CDIP	J	14	1	TBD	A42 SNPB	N / A for Pkg Type
8002002DA	ACTIVE	CFP	W	14	1	TBD	A42	N / A for Pkg Type
8002002DA	ACTIVE	CFP	W	14	1	TBD	A42	N / A for Pkg Type
SN54LS243J	ACTIVE	CDIP	J	14	1	TBD	A42 SNPB	N / A for Pkg Type
SN54LS243J	ACTIVE	CDIP	J	14	1	TBD	A42 SNPB	N / A for Pkg Type
SN74LS242D	OBSOLETE	SOIC	D	14		TBD	Call TI	Call TI
SN74LS242D	OBSOLETE	SOIC	D	14		TBD	Call TI	Call TI
SN74LS242DR	OBSOLETE	SOIC	D	14		TBD	Call TI	Call TI
SN74LS242DR	OBSOLETE	SOIC	D	14		TBD	Call TI	Call TI
SN74LS242N	OBSOLETE	PDIP	N	14		TBD	Call TI	Call TI
SN74LS242N	OBSOLETE	PDIP	N	14		TBD	Call TI	Call TI
SN74LS243D	ACTIVE	SOIC	D	14	50	Green (RoHS & no Sb/Br)	CU NIPDAU	Level-1-260C-UNLIM
SN74LS243D	ACTIVE	SOIC	D	14	50	Green (RoHS & no Sb/Br)	CU NIPDAU	Level-1-260C-UNLIM
SN74LS243DE4	ACTIVE	SOIC	D	14	50	Green (RoHS & no Sb/Br)	CU NIPDAU	Level-1-260C-UNLIM
SN74LS243DE4	ACTIVE	SOIC	D	14	50	Green (RoHS & no Sb/Br)	CU NIPDAU	Level-1-260C-UNLIM
SN74LS243DR	ACTIVE	SOIC	D	14	2500	Green (RoHS & no Sb/Br)	CU NIPDAU	Level-1-260C-UNLIM
SN74LS243DR	ACTIVE	SOIC	D	14	2500	Green (RoHS & no Sb/Br)	CU NIPDAU	Level-1-260C-UNLIM
SN74LS243DRE4	ACTIVE	SOIC	D	14	2500	Green (RoHS & no Sb/Br)	CU NIPDAU	Level-1-260C-UNLIM
SN74LS243DRE4	ACTIVE	SOIC	D	14	2500	Green (RoHS & no Sb/Br)	CU NIPDAU	Level-1-260C-UNLIM
SN74LS243J	OBSOLETE	CDIP	J	14		TBD	Call TI	Call TI
SN74LS243J	OBSOLETE	CDIP	J	14		TBD	Call TI	Call TI
SN74LS243N	ACTIVE	PDIP	N	14	25	Pb-Free (RoHS)	CU NIPDAU	N / A for Pkg Type
SN74LS243N	ACTIVE	PDIP	N	14	25	Pb-Free (RoHS)	CU NIPDAU	N / A for Pkg Type
SN74LS243N3	OBSOLETE	PDIP	N	14		TBD	Call TI	Call TI
SN74LS243N3	OBSOLETE	PDIP	N	14		TBD	Call TI	Call TI
SN74LS243NE4	ACTIVE	PDIP	N	14	25	Pb-Free (RoHS)	CU NIPDAU	N / A for Pkg Type

Orderable Device	Status <sup>(1)</sup>	Package Type	Package Drawing	Pins	Package Qty	Eco Plan <sup>(2)</sup>	Lead/Ball Finish	MSL Peak Temp <sup>(3)</sup>
SN74LS243NE4	ACTIVE	PDIP	N	14	25	Pb-Free (RoHS)	CU NIPDAU	N / A for Pkg Type
SNJ54LS243FK	OBSOLETE			20		TBD	Call TI	Call TI
SNJ54LS243FK	OBSOLETE			20		TBD	Call TI	Call TI
SNJ54LS243J	ACTIVE	CDIP	J	14	1	TBD	A42 SNPB	N / A for Pkg Type
SNJ54LS243J	ACTIVE	CDIP	J	14	1	TBD	A42 SNPB	N / A for Pkg Type
SNJ54LS243W	ACTIVE	CFP	W	14	1	TBD	A42	N / A for Pkg Type
SNJ54LS243W	ACTIVE	CFP	W	14	1	TBD	A42	N / A for Pkg Type

<sup>(1)</sup> The marketing status values are defined as follows:

**ACTIVE:** Product device recommended for new designs.

**LIFEBUY:** TI has announced that the device will be discontinued, and a lifetime-buy period is in effect.

**NRND:** Not recommended for new designs. Device is in production to support existing customers, but TI does not recommend using this part in a new design.

**PREVIEW:** Device has been announced but is not in production. Samples may or may not be available.

**OBSOLETE:** TI has discontinued the production of the device.

<sup>(2)</sup> Eco Plan - The planned eco-friendly classification: Pb-Free (RoHS), Pb-Free (RoHS Exempt), or Green (RoHS & no Sb/Br) - please check <http://www.ti.com/productcontent> for the latest availability information and additional product content details.

**TBD:** The Pb-Free/Green conversion plan has not been defined.

**Pb-Free (RoHS):** TI's terms "Lead-Free" or "Pb-Free" mean semiconductor products that are compatible with the current RoHS requirements for all 6 substances, including the requirement that lead not exceed 0.1% by weight in homogeneous materials. Where designed to be soldered at high temperatures, TI Pb-Free products are suitable for use in specified lead-free processes.

**Pb-Free (RoHS Exempt):** This component has a RoHS exemption for either 1) lead-based flip-chip solder bumps used between the die and package, or 2) lead-based die adhesive used between the die and leadframe. The component is otherwise considered Pb-Free (RoHS compatible) as defined above.

**Green (RoHS & no Sb/Br):** TI defines "Green" to mean Pb-Free (RoHS compatible), and free of Bromine (Br) and Antimony (Sb) based flame retardants (Br or Sb do not exceed 0.1% by weight in homogeneous material)

<sup>(3)</sup> MSL, Peak Temp. -- The Moisture Sensitivity Level rating according to the JEDEC industry standard classifications, and peak solder temperature.

**Important Information and Disclaimer:**The information provided on this page represents TI's knowledge and belief as of the date that it is provided. TI bases its knowledge and belief on information provided by third parties, and makes no representation or warranty as to the accuracy of such information. Efforts are underway to better integrate information from third parties. TI has taken and continues to take reasonable steps to provide representative and accurate information but may not have conducted destructive testing or chemical analysis on incoming materials and chemicals. TI and TI suppliers consider certain information to be proprietary, and thus CAS numbers and other limited information may not be available for release.

In no event shall TI's liability arising out of such information exceed the total purchase price of the TI part(s) at issue in this document sold by TI to Customer on an annual basis.

## IMPORTANT NOTICE

Texas Instruments Incorporated and its subsidiaries (TI) reserve the right to make corrections, modifications, enhancements, improvements, and other changes to its products and services at any time and to discontinue any product or service without notice. Customers should obtain the latest relevant information before placing orders and should verify that such information is current and complete. All products are sold subject to TI's terms and conditions of sale supplied at the time of order acknowledgment.

TI warrants performance of its hardware products to the specifications applicable at the time of sale in accordance with TI's standard warranty. Testing and other quality control techniques are used to the extent TI deems necessary to support this warranty. Except where mandated by government requirements, testing of all parameters of each product is not necessarily performed.

TI assumes no liability for applications assistance or customer product design. Customers are responsible for their products and applications using TI components. To minimize the risks associated with customer products and applications, customers should provide adequate design and operating safeguards.

TI does not warrant or represent that any license, either express or implied, is granted under any TI patent right, copyright, mask work right, or other TI intellectual property right relating to any combination, machine, or process in which TI products or services are used. Information published by TI regarding third-party products or services does not constitute a license from TI to use such products or services or a warranty or endorsement thereof. Use of such information may require a license from a third party under the patents or other intellectual property of the third party, or a license from TI under the patents or other intellectual property of TI.

Reproduction of information in TI data books or data sheets is permissible only if reproduction is without alteration and is accompanied by all associated warranties, conditions, limitations, and notices. Reproduction of this information with alteration is an unfair and deceptive business practice. TI is not responsible or liable for such altered documentation.

Resale of TI products or services with statements different from or beyond the parameters stated by TI for that product or service voids all express and any implied warranties for the associated TI product or service and is an unfair and deceptive business practice. TI is not responsible or liable for any such statements.

Following are URLs where you can obtain information on other Texas Instruments products and application solutions:

### Products

Amplifiers	<a href="http://amplifier.ti.com">amplifier.ti.com</a>
Data Converters	<a href="http://dataconverter.ti.com">dataconverter.ti.com</a>
DSP	<a href="http://dsp.ti.com">dsp.ti.com</a>
Interface	<a href="http://interface.ti.com">interface.ti.com</a>
Logic	<a href="http://logic.ti.com">logic.ti.com</a>
Power Mgmt	<a href="http://power.ti.com">power.ti.com</a>
Microcontrollers	<a href="http://microcontroller.ti.com">microcontroller.ti.com</a>
Low Power Wireless	<a href="http://www.ti.com/lpw">www.ti.com/lpw</a>

### Applications

Audio	<a href="http://www.ti.com/audio">www.ti.com/audio</a>
Automotive	<a href="http://www.ti.com/automotive">www.ti.com/automotive</a>
Broadband	<a href="http://www.ti.com/broadband">www.ti.com/broadband</a>
Digital Control	<a href="http://www.ti.com/digitalcontrol">www.ti.com/digitalcontrol</a>
Military	<a href="http://www.ti.com/military">www.ti.com/military</a>
Optical Networking	<a href="http://www.ti.com/opticalnetwork">www.ti.com/opticalnetwork</a>
Security	<a href="http://www.ti.com/security">www.ti.com/security</a>
Telephony	<a href="http://www.ti.com/telephony">www.ti.com/telephony</a>
Video & Imaging	<a href="http://www.ti.com/video">www.ti.com/video</a>
Wireless	<a href="http://www.ti.com/wireless">www.ti.com/wireless</a>

Mailing Address: Texas Instruments  
Post Office Box 655303 Dallas, Texas 75265