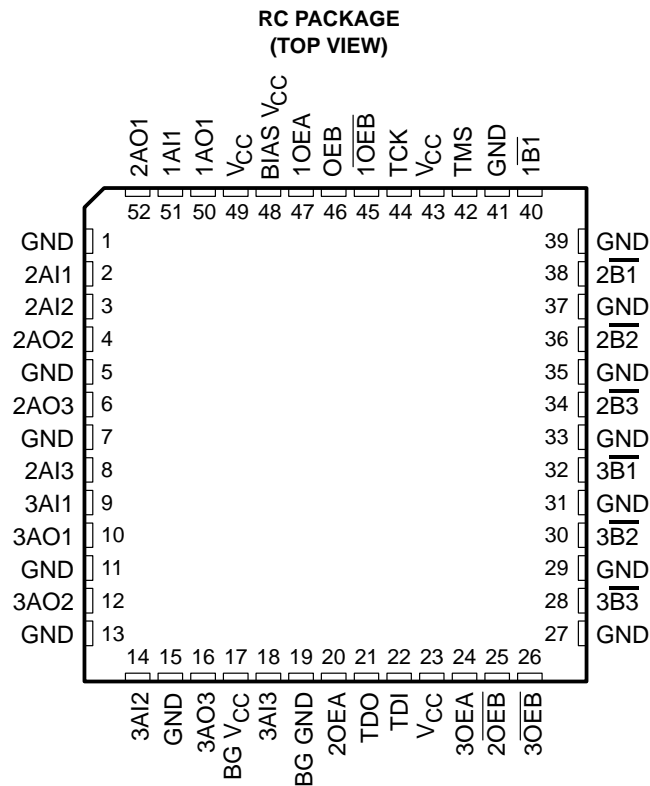


# SN74FB2041A 7-BIT TTL/BTL TRANSCEIVER

SCBS172M – NOVEMBER 1991 – REVISED MARCH 2002

- Compatible With IEEE Std 1194.1-1991 (BTL)
- TTL A Port, Backplane Transceiver Logic (BTL)  $\bar{B}$  Port
- Open-Collector  $\bar{B}$ -Port Outputs Sink 100 mA
- BIAS  $V_{CC}$  Pin Minimizes Signal Distortion During Live Insertion or Withdrawal
- High-Impedance State During Power Up and Power Down
- $\bar{B}$ -Port Biasing Network Preconditions the Connector and PC Trace to the BTL High-Level Voltage
- TTL-Input Structures Incorporate Active Clamping to Aid in Line Termination



## description

The SN74FB2041A is a 7-bit transceiver designed to translate signals between TTL and backplane transceiver logic (BTL) environments. The device is specifically designed to be compatible with IEEE Std 1194.1-1991.

The  $\bar{B}$  port operates at BTL signal levels. The open-collector  $\bar{B}$  ports are specified to sink 100 mA. Two output enables (OEB and  $\bar{OEB}$ ) are provided for the  $\bar{B}$  outputs. When OEB is high and  $\bar{OEB}$  is low, the  $\bar{B}$  port is active and reflects the inverse of the data present at the A-input pins. When OEB is low,  $\bar{OEB}$  is high, or  $V_{CC}$  is less than 2.1 V, the  $\bar{B}$  port is turned off. The enable/disable logic partitions the device as two 3-bit sections and one 1-bit section.

The A port operates at TTL signal levels and has split input and output pins. The A outputs reflect the inverse of the data at the  $\bar{B}$  port when the A-port output enable (OEA) is high. When OEA is low or when  $V_{CC}$  is less than 2.1 V, the A outputs are in the high-impedance state.



Please be aware that an important notice concerning availability, standard warranty, and use in critical applications of Texas Instruments semiconductor products and disclaimers thereto appears at the end of this data sheet.

PRODUCTION DATA information is current as of publication date. Products conform to specifications per the terms of Texas Instruments standard warranty. Production processing does not necessarily include testing of all parameters.

 **TEXAS  
INSTRUMENTS**

POST OFFICE BOX 655303 • DALLAS, TEXAS 75265

Copyright © 2002, Texas Instruments Incorporated

# SN74FB2041A

## 7-BIT TTL/BTL TRANSCEIVER

SCBS172M – NOVEMBER 1991 – REVISED MARCH 2002

### description (continued)

The pins TMS, TCK, TDI, and TDO are nonfunctional, i.e., not intended for use with the IEEE Std 1149.1 (JTAG) test bus. TMS and TCK are not connected and TDI is shorted to TDO.

BIAS  $V_{CC}$  establishes a voltage between 1.62 V and 2.1 V on the BTL outputs when  $V_{CC}$  is not connected.

### ORDERING INFORMATION

TA	PACKAGE†		ORDERABLE PART NUMBER	TOP-SIDE MARKING
0°C to 70°C	QFP – RC	Tube	SN74FB2041ARC	FB2041A

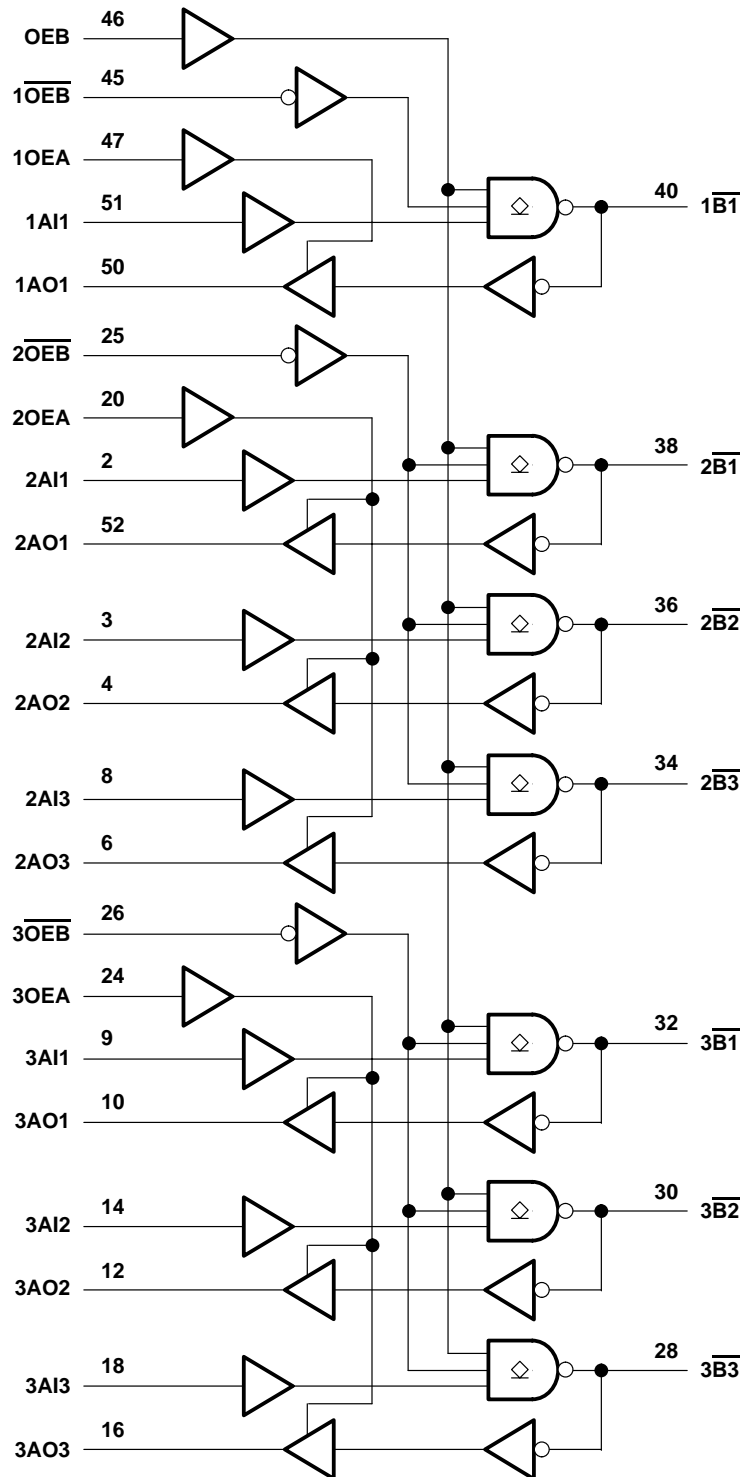
† Package drawings, standard packing quantities, thermal data, symbolization, and PCB design guidelines are available at [www.ti.com/sc/package](http://www.ti.com/sc/package).

### FUNCTION TABLE

INPUTS			FUNCTION
OEB	$\overline{\text{OEB}}$	OEA	
L	X	L	Isolation
X	H	L	
L	X	H	$\overline{\text{B}}$ data to AO bus
X	H	H	
H	L	L	$\overline{\text{A}}$ data to B bus
H	L	H	$\overline{\text{A}}$ data to B bus, $\overline{\text{B}}$ data to AO bus



functional block diagram



# SN74FB2041A

## 7-BIT TTL/BTL TRANSCEIVER

SCBS172M – NOVEMBER 1991 – REVISED MARCH 2002

### absolute maximum ratings over operating free-air temperature range (unless otherwise noted)†

Supply voltage range, $V_{CC}$ .....	-0.5 V to 7 V
Input voltage range, $V_I$ : Except $\overline{B}$ port .....	-1.2 V to 7 V
$\overline{B}$ port .....	-1.2 V to 3.5 V
Voltage range applied to any $\overline{B}$ output in the disabled or power-off state, $V_O$ .....	-0.5 V to 3.5 V
Voltage range applied to any output in the high state, $V_O$ : A port .....	-0.5 V to $V_{CC}$
Input clamp current, $I_{IK}$ : Except $\overline{B}$ port .....	-40 mA
$\overline{B}$ port .....	-18 mA
Current applied to any single output in the low state, $I_O$ : A port .....	48 mA
$\overline{B}$ port .....	200 mA
Package thermal impedance, $\theta_{JA}$ (see Note 1) .....	44°C/W
Storage temperature range, $T_{stg}$ .....	-65°C to 150°C

† Stresses beyond those listed under “absolute maximum ratings” may cause permanent damage to the device. These are stress ratings only, and functional operation of the device at these or any other conditions beyond those indicated under “recommended operating conditions” is not implied. Exposure to absolute-maximum-rated conditions for extended periods may affect device reliability.

NOTE 1: The package thermal impedance is calculated in accordance with JESD 51-7.

### recommended operating conditions (see Note 2)

		MIN	NOM	MAX	UNIT
$V_{CC}$ , BIAS $V_{CC}$ , BG $V_{CC}$	Supply voltage	4.5	5	5.5	V
$V_{IH}$	High-level input voltage	$\overline{B}$ port	1.62	2.3	V
		Except $\overline{B}$ port	2		
$V_{IL}$	Low-level input voltage	$\overline{B}$ port	0.75	1.47	V
		Except $\overline{B}$ port		0.8	
$I_{IK}$	Input clamp current			-18	mA
$I_{OH}$	High-level output current			-3	mA
$I_{OL}$	Low-level output current	AO port		24	mA
		$\overline{B}$ port		100	
$T_A$	Operating free-air temperature	0		70	°C

NOTE 2: To ensure proper device operation, all unused inputs must be terminated as follows: A and control inputs to  $V_{CC}$ (5 V) or GND, and B inputs to GND only. Refer to the TI application report, *Implications of Slow or Floating CMOS Inputs*, literature number SCBA004.



**electrical characteristics over recommended operating free-air temperature range (unless otherwise noted)**

PARAMETER		TEST CONDITIONS		MIN	TYP†	MAX	UNIT
V <sub>IK</sub>	$\bar{B}$ port	V <sub>CC</sub> = 4.5 V,	I <sub>I</sub> = -18 mA			-1.2	V
	Except $\bar{B}$ port	V <sub>CC</sub> = 4.5 V,	I <sub>I</sub> = -40 mA			-0.5	
V <sub>OH</sub>	AO port	V <sub>CC</sub> = 4.5 V,	I <sub>OH</sub> = -3 mA	2.5	3.3		V
V <sub>OL</sub>	AO port	V <sub>CC</sub> = 4.5 V,	I <sub>OL</sub> = 24 mA		0.35	0.5	V
	$\bar{B}$ port	V <sub>CC</sub> = 4.5 V	I <sub>OL</sub> = 80 mA	0.75		1.1	
			I <sub>OL</sub> = 100 mA			1.15	
I <sub>I</sub>	Except $\bar{B}$ port	V <sub>CC</sub> = 5.5 V,	V <sub>I</sub> = 5.5 V			50	μA
I <sub>IH</sub> ‡	Except $\bar{B}$ port	V <sub>CC</sub> = 5.5 V,	V <sub>I</sub> = 2.7 V			50	μA
I <sub>IL</sub> ‡	Except $\bar{B}$ port	V <sub>CC</sub> = 5.5 V,	V <sub>I</sub> = 0.5 V			-50	μA
	$\bar{B}$ port	V <sub>CC</sub> = 5.5 V,	V <sub>I</sub> = 0.75 V			-100	
I <sub>OH</sub>	$\bar{B}$ port	V <sub>CC</sub> = 0 to 5.5 V,	V <sub>O</sub> = 2.1 V			100	μA
I <sub>OZH</sub>	AO port	V <sub>CC</sub> = 5.5 V,	V <sub>O</sub> = 2.7 V			50	μA
I <sub>OZL</sub>	AO port	V <sub>CC</sub> = 5.5 V,	V <sub>O</sub> = 0.5 V			-50	μA
I <sub>OZPU</sub>	AO port	V <sub>CC</sub> = 0 to 2.1 V,	V <sub>O</sub> = 0.5 V to 2.7 V			50	μA
I <sub>OZPD</sub>	AO port	V <sub>CC</sub> = 2.1 V to 0,	V <sub>O</sub> = 0.5 V to 2.7 V			-50	μA
I <sub>OS</sub> §	AO port	V <sub>CC</sub> = 5.5 V,	V <sub>O</sub> = 0	-30		-180	mA
I <sub>CC</sub>	AI port to $\bar{B}$ port	V <sub>CC</sub> = 5.5 V,	I <sub>O</sub> = 0			45	mA
	$\bar{B}$ port to AO port					65	
C <sub>i</sub>	AI port	V <sub>I</sub> = 0.5 V or 2.5 V			3		pF
	Control inputs				3		
C <sub>o</sub>	AO port	V <sub>O</sub> = 0.5 V or 2.5 V			5.5		pF
C <sub>io</sub>	$\bar{B}$ port per IEEE Std 1194.1-1991	V <sub>CC</sub> = 0 to 4.5 V				5	pF
		V <sub>CC</sub> = 4.5 V to 5.5 V				5	

† All typical values are at V<sub>CC</sub> = 5 V, T<sub>A</sub> = 25°C.

‡ For I/O ports, the parameters I<sub>IH</sub> and I<sub>IL</sub> include the off-state output current.

§ Not more than one output should be shorted at a time, and the duration of the short circuit should not exceed one second.

**live-insertion specifications over recommended operating free-air temperature range**

PARAMETER		TEST CONDITIONS		MIN	MAX	UNIT
I <sub>CC</sub> (BIAS V <sub>CC</sub> )		V <sub>CC</sub> = 0 to 4.5 V	V <sub>B</sub> = 0 to 2 V, V <sub>I</sub> (BIAS V <sub>CC</sub> ) = 4.5 V to 5.5 V		450	μA
		V <sub>CC</sub> = 4.5 V to 5.5 V			10	
V <sub>O</sub>	$\bar{B}$ port	V <sub>CC</sub> = 0,	V <sub>I</sub> (BIAS V <sub>CC</sub> ) = 5 V	1.62	2.1	V
I <sub>O</sub>	$\bar{B}$ port	V <sub>CC</sub> = 0,	V <sub>B</sub> = 1 V, V <sub>I</sub> (BIAS V <sub>CC</sub> ) = 4.5 V to 5.5 V		-1	μA
		V <sub>CC</sub> = 0 to 5.5 V,	OEB = 0 to 0.8 V		100	
		V <sub>CC</sub> = 0 to 2.2 V,	OEB = 0 to 5 V		100	

# SN74FB2041A

## 7-BIT TTL/BTL TRANSCEIVER

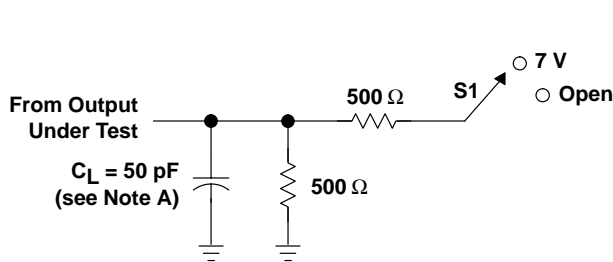
SCBS172M – NOVEMBER 1991 – REVISED MARCH 2002

switching characteristics over recommended ranges of supply voltage and operating free-air temperature (unless otherwise noted) (see Figure 1)

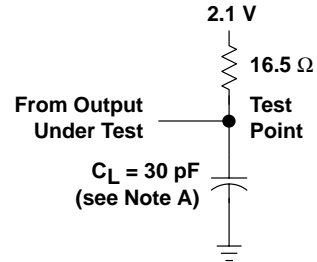
PARAMETER	FROM (INPUT)	TO (OUTPUT)	V <sub>CC</sub> = 5 V, T <sub>A</sub> = 25°C			MIN	MAX	UNIT
			MIN	TYP	MAX			
t <sub>PLH</sub>	AI	$\overline{B}$	2.3	3.9	5.1	2	5.6	ns
t <sub>PHL</sub>			2.6	4.1	5	2.5	5.3	
t <sub>PLH</sub>	$\overline{B}$	AO	2	3.6	4.8	1.7	5.3	ns
t <sub>PHL</sub>			2.3	3.8	4.9	2	6.4	
t <sub>PLH</sub>	OEB	$\overline{B}$	3	4.6	5.8	2.6	6.3	ns
t <sub>PHL</sub>			3.1	4.7	6	3.1	6.2	
t <sub>PLH</sub>	$\overline{OEB}$	$\overline{B}$	2.7	4.3	5.6	2.6	5.8	ns
t <sub>PHL</sub>			2.7	4.2	5.3	2.5	6.4	
t <sub>PZH</sub>	OEA	AO	1.5	3.2	5.2	1.5	5.2	ns
t <sub>PZL</sub>			1.1	2.8	5	1	5	
t <sub>PHZ</sub>	OEA	AO	1	2.4	3.9	1	4.2	ns
t <sub>PLZ</sub>			2.2	3.8	5.6	1.7	5.8	
t <sub>sk(p)</sub> <sup>†</sup>	Pulse skew, AI to $\overline{B}$ or $\overline{B}$ to AO		0.5					ns
t <sub>sk(o)</sub> <sup>†</sup>	Output skew, AI to $\overline{B}$ or $\overline{B}$ to AO		0.4					ns
t <sub>t</sub>	Rise time, 1.3 V to 1.8 V, $\overline{B}$ outputs		1	1.6	2.4	1	2.5	ns
	Fall time, 1.8 V to 1.3 V, $\overline{B}$ outputs		1	1.4	2.3	1	2.4	
t <sub>(pr)</sub>	$\overline{B}$ -port input pulse rejection		1			1		ns

<sup>†</sup> Skew values are applicable for through mode only.

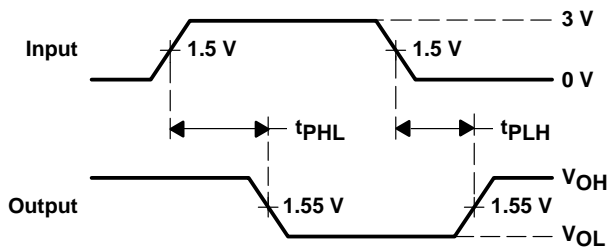
PARAMETER MEASUREMENT INFORMATION



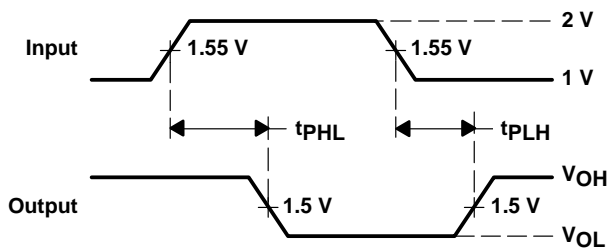
LOAD CIRCUIT FOR A OUTPUTS



LOAD CIRCUIT FOR B OUTPUTS

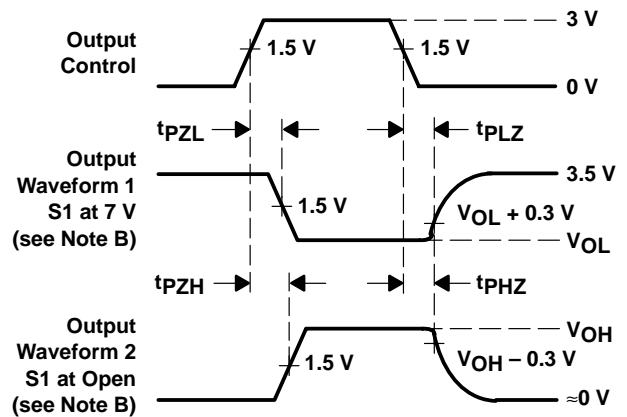


VOLTAGE WAVEFORMS  
PROPAGATION DELAY TIMES (A TO B)



VOLTAGE WAVEFORMS  
PROPAGATION DELAY TIMES (B TO A)

TEST	S1
$t_{PLH}/t_{PHL}$	Open
$t_{PLZ}/t_{PZL}$	7 V
$t_{PHZ}/t_{PZH}$	Open



VOLTAGE WAVEFORMS  
ENABLE AND DISABLE TIMES (A PORT)

- NOTES: A.  $C_L$  includes probe and jig capacitance.  
 B. Waveform 1 is for an output with internal conditions such that the output is low except when disabled by the output control. Waveform 2 is for an output with internal conditions such that the output is high except when disabled by the output control.  
 C. All input pulses are supplied by generators having the following characteristics: TTL inputs:  $PRR \leq 10$  MHz,  $Z_O = 50 \Omega$ ,  $t_r \leq 2.5$  ns,  $t_f \leq 2.5$  ns; BTL inputs:  $PRR \leq 10$  MHz,  $Z_O = 50 \Omega$ ,  $t_r \leq 2.5$  ns,  $t_f \leq 2.5$  ns.  
 D. The outputs are measured one at a time with one transition per measurement.

Figure 1. Load Circuits and Voltage Waveforms

**PACKAGING INFORMATION**

Orderable Device	Status (1)	Package Type	Package Drawing	Pins	Package Qty	Eco Plan (2)	Lead/Ball Finish (6)	MSL Peak Temp (3)	Op Temp (°C)	Device Marking (4/5)	Samples
SN74FB2041ARC	LIFEBUY	QFP	RC	52		TBD	Call TI	Call TI	0 to 70	FB2041A	
SN74FB2041ARCR	OBSOLETE	QFP	RC	52		TBD	Call TI	Call TI	0 to 70	FB2041A	

(1) The marketing status values are defined as follows:

**ACTIVE:** Product device recommended for new designs.

**LIFEBUY:** TI has announced that the device will be discontinued, and a lifetime-buy period is in effect.

**NRND:** Not recommended for new designs. Device is in production to support existing customers, but TI does not recommend using this part in a new design.

**PREVIEW:** Device has been announced but is not in production. Samples may or may not be available.

**OBSOLETE:** TI has discontinued the production of the device.

(2) Eco Plan - The planned eco-friendly classification: Pb-Free (RoHS), Pb-Free (RoHS Exempt), or Green (RoHS & no Sb/Br) - please check <http://www.ti.com/productcontent> for the latest availability information and additional product content details.

**TBD:** The Pb-Free/Green conversion plan has not been defined.

**Pb-Free (RoHS):** TI's terms "Lead-Free" or "Pb-Free" mean semiconductor products that are compatible with the current RoHS requirements for all 6 substances, including the requirement that lead not exceed 0.1% by weight in homogeneous materials. Where designed to be soldered at high temperatures, TI Pb-Free products are suitable for use in specified lead-free processes.

**Pb-Free (RoHS Exempt):** This component has a RoHS exemption for either 1) lead-based flip-chip solder bumps used between the die and package, or 2) lead-based die adhesive used between the die and leadframe. The component is otherwise considered Pb-Free (RoHS compatible) as defined above.

**Green (RoHS & no Sb/Br):** TI defines "Green" to mean Pb-Free (RoHS compatible), and free of Bromine (Br) and Antimony (Sb) based flame retardants (Br or Sb do not exceed 0.1% by weight in homogeneous material)

(3) MSL, Peak Temp. - The Moisture Sensitivity Level rating according to the JEDEC industry standard classifications, and peak solder temperature.

(4) There may be additional marking, which relates to the logo, the lot trace code information, or the environmental category on the device.

(5) Multiple Device Markings will be inside parentheses. Only one Device Marking contained in parentheses and separated by a "~" will appear on a device. If a line is indented then it is a continuation of the previous line and the two combined represent the entire Device Marking for that device.

(6) Lead/Ball Finish - Orderable Devices may have multiple material finish options. Finish options are separated by a vertical ruled line. Lead/Ball Finish values may wrap to two lines if the finish value exceeds the maximum column width.

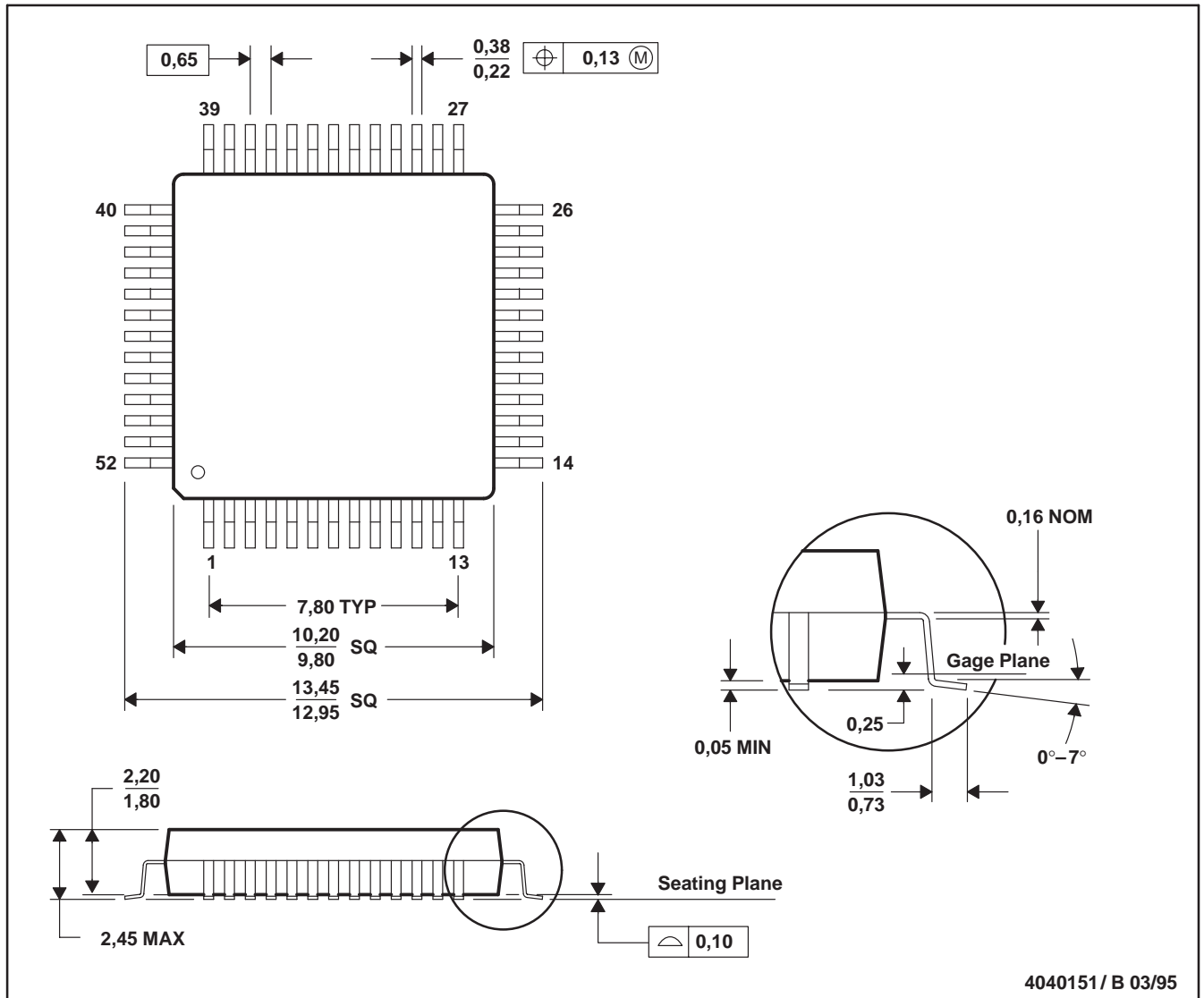
**Important Information and Disclaimer:** The information provided on this page represents TI's knowledge and belief as of the date that it is provided. TI bases its knowledge and belief on information provided by third parties, and makes no representation or warranty as to the accuracy of such information. Efforts are underway to better integrate information from third parties. TI has taken and continues to take reasonable steps to provide representative and accurate information but may not have conducted destructive testing or chemical analysis on incoming materials and chemicals. TI and TI suppliers consider certain information to be proprietary, and thus CAS numbers and other limited information may not be available for release.

In no event shall TI's liability arising out of such information exceed the total purchase price of the TI part(s) at issue in this document sold by TI to Customer on an annual basis.



RC (S-PQFP-G52)

PLASTIC QUAD FLATPACK



- NOTES: A. All linear dimensions are in millimeters.  
 B. This drawing is subject to change without notice.  
 C. Falls within JEDEC MS-022

## IMPORTANT NOTICE

Texas Instruments Incorporated and its subsidiaries (TI) reserve the right to make corrections, enhancements, improvements and other changes to its semiconductor products and services per JESD46, latest issue, and to discontinue any product or service per JESD48, latest issue. Buyers should obtain the latest relevant information before placing orders and should verify that such information is current and complete. All semiconductor products (also referred to herein as "components") are sold subject to TI's terms and conditions of sale supplied at the time of order acknowledgment.

TI warrants performance of its components to the specifications applicable at the time of sale, in accordance with the warranty in TI's terms and conditions of sale of semiconductor products. Testing and other quality control techniques are used to the extent TI deems necessary to support this warranty. Except where mandated by applicable law, testing of all parameters of each component is not necessarily performed.

TI assumes no liability for applications assistance or the design of Buyers' products. Buyers are responsible for their products and applications using TI components. To minimize the risks associated with Buyers' products and applications, Buyers should provide adequate design and operating safeguards.

TI does not warrant or represent that any license, either express or implied, is granted under any patent right, copyright, mask work right, or other intellectual property right relating to any combination, machine, or process in which TI components or services are used. Information published by TI regarding third-party products or services does not constitute a license to use such products or services or a warranty or endorsement thereof. Use of such information may require a license from a third party under the patents or other intellectual property of the third party, or a license from TI under the patents or other intellectual property of TI.

Reproduction of significant portions of TI information in TI data books or data sheets is permissible only if reproduction is without alteration and is accompanied by all associated warranties, conditions, limitations, and notices. TI is not responsible or liable for such altered documentation. Information of third parties may be subject to additional restrictions.

Resale of TI components or services with statements different from or beyond the parameters stated by TI for that component or service voids all express and any implied warranties for the associated TI component or service and is an unfair and deceptive business practice. TI is not responsible or liable for any such statements.

Buyer acknowledges and agrees that it is solely responsible for compliance with all legal, regulatory and safety-related requirements concerning its products, and any use of TI components in its applications, notwithstanding any applications-related information or support that may be provided by TI. Buyer represents and agrees that it has all the necessary expertise to create and implement safeguards which anticipate dangerous consequences of failures, monitor failures and their consequences, lessen the likelihood of failures that might cause harm and take appropriate remedial actions. Buyer will fully indemnify TI and its representatives against any damages arising out of the use of any TI components in safety-critical applications.

In some cases, TI components may be promoted specifically to facilitate safety-related applications. With such components, TI's goal is to help enable customers to design and create their own end-product solutions that meet applicable functional safety standards and requirements. Nonetheless, such components are subject to these terms.

No TI components are authorized for use in FDA Class III (or similar life-critical medical equipment) unless authorized officers of the parties have executed a special agreement specifically governing such use.

Only those TI components which TI has specifically designated as military grade or "enhanced plastic" are designed and intended for use in military/aerospace applications or environments. Buyer acknowledges and agrees that any military or aerospace use of TI components which have **not** been so designated is solely at the Buyer's risk, and that Buyer is solely responsible for compliance with all legal and regulatory requirements in connection with such use.

TI has specifically designated certain components as meeting ISO/TS16949 requirements, mainly for automotive use. In any case of use of non-designated products, TI will not be responsible for any failure to meet ISO/TS16949.

### Products

Audio	<a href="http://www.ti.com/audio">www.ti.com/audio</a>
Amplifiers	<a href="http://amplifier.ti.com">amplifier.ti.com</a>
Data Converters	<a href="http://dataconverter.ti.com">dataconverter.ti.com</a>
DLP® Products	<a href="http://www.dlp.com">www.dlp.com</a>
DSP	<a href="http://dsp.ti.com">dsp.ti.com</a>
Clocks and Timers	<a href="http://www.ti.com/clocks">www.ti.com/clocks</a>
Interface	<a href="http://interface.ti.com">interface.ti.com</a>
Logic	<a href="http://logic.ti.com">logic.ti.com</a>
Power Mgmt	<a href="http://power.ti.com">power.ti.com</a>
Microcontrollers	<a href="http://microcontroller.ti.com">microcontroller.ti.com</a>
RFID	<a href="http://www.ti-rfid.com">www.ti-rfid.com</a>
OMAP Applications Processors	<a href="http://www.ti.com/omap">www.ti.com/omap</a>
Wireless Connectivity	<a href="http://www.ti.com/wirelessconnectivity">www.ti.com/wirelessconnectivity</a>

### Applications

Automotive and Transportation	<a href="http://www.ti.com/automotive">www.ti.com/automotive</a>
Communications and Telecom	<a href="http://www.ti.com/communications">www.ti.com/communications</a>
Computers and Peripherals	<a href="http://www.ti.com/computers">www.ti.com/computers</a>
Consumer Electronics	<a href="http://www.ti.com/consumer-apps">www.ti.com/consumer-apps</a>
Energy and Lighting	<a href="http://www.ti.com/energy">www.ti.com/energy</a>
Industrial	<a href="http://www.ti.com/industrial">www.ti.com/industrial</a>
Medical	<a href="http://www.ti.com/medical">www.ti.com/medical</a>
Security	<a href="http://www.ti.com/security">www.ti.com/security</a>
Space, Avionics and Defense	<a href="http://www.ti.com/space-avionics-defense">www.ti.com/space-avionics-defense</a>
Video and Imaging	<a href="http://www.ti.com/video">www.ti.com/video</a>

### TI E2E Community

[e2e.ti.com](http://e2e.ti.com)