

# SN54ALS161B, SN54ALS162B, SN54ALS163B, SN54AS161, SN54AS163 SN74ALS161B, SN74ALS163B, SN74AS161, SN74AS163 SYNCHRONOUS 4-BIT DECADE AND BINARY COUNTERS

SDAS276A – DECEMBER 1994 – REVISED JULY 2000

- Internal Look-Ahead Circuitry for Fast Counting
- Carry Output for n-Bit Cascading
- Synchronous Counting
- Synchronously Programmable
- Package Options Include Plastic Small-Outline (D) and Shrink Small-Outline (DB) Packages, Ceramic Chip Carriers (FK), Standard Plastic (N) and Ceramic (J) DIPs

## description

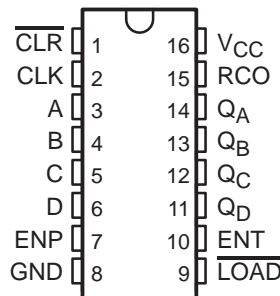
These synchronous, presettable, 4-bit decade and binary counters feature an internal carry look-ahead circuitry for application in high-speed counting designs. The SN54ALS162B is a 4-bit decade counter. The 'ALS161B, 'ALS163B, 'AS161, and 'AS163 devices are 4-bit binary counters. Synchronous operation is provided by having all flip-flops clocked simultaneously so that the outputs change coincidentally with each other when instructed by the count-enable (ENP, ENT) inputs and internal gating. This mode of operation eliminates the output counting spikes normally associated with asynchronous (ripple-clock) counters. A buffered clock (CLK) input triggers the four flip-flops on the rising (positive-going) edge of the clock input waveform.

These counters are fully programmable; they can be preset to any number between 0 and 9 or 15. Because presetting is synchronous, setting up a low level at the load (LOAD) input disables the counter and causes the outputs to agree with the setup data after the next clock pulse, regardless of the levels of the enable inputs.

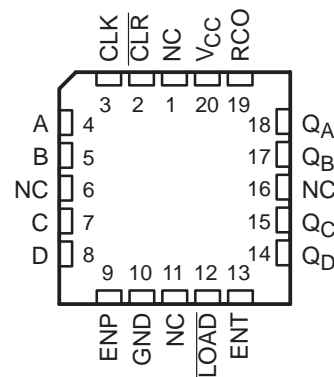
The clear function for the 'ALS161B and 'AS161 devices is asynchronous. A low level at the clear ( $\overline{\text{CLR}}$ ) input sets all four of the flip-flop outputs low, regardless of the levels of the CLK, LOAD, or enable inputs. The clear function for the SN54ALS162B, 'ALS163B, and 'AS163 devices is synchronous, and a low level at CLR sets all four of the flip-flop outputs low after the next clock pulse, regardless of the levels of the enable inputs. This synchronous clear allows the count length to be modified easily by decoding the Q outputs for the maximum count desired. The active-low output of the gate used for decoding is connected to  $\overline{\text{CLR}}$  to synchronously clear the counter to 0000 (LLLL).

The carry look-ahead circuitry provides for cascading counters for n-bit synchronous applications without additional gating. ENP and ENT inputs and a ripple-carry (RCO) output are instrumental in accomplishing this function. Both ENP and ENT must be high to count, and ENT is fed forward to enable RCO. RCO, thus enabled,

SN54ALS161B, SN54ALS162B, SN54ALS163B,  
SN54AS161, SN54AS163 . . . J PACKAGE  
SN74ALS161B, SN74AS161,  
SN74AS163 . . . D OR N PACKAGE  
SN74ALS163B . . . D, DB, OR N PACKAGE  
(TOP VIEW)



SN54ALS161B, SN54ALS162B, SN54ALS163B,  
SN54AS161, SN54AS163 . . . FK PACKAGE  
(TOP VIEW)



NC – No internal connection



Please be aware that an important notice concerning availability, standard warranty, and use in critical applications of Texas Instruments semiconductor products and disclaimers thereto appears at the end of this data sheet.

PRODUCTION DATA information is current as of publication date. Products conform to specifications per the terms of Texas Instruments standard warranty. Production processing does not necessarily include testing of all parameters.

 **TEXAS  
INSTRUMENTS**

POST OFFICE BOX 655303 • DALLAS, TEXAS 75265

Copyright © 2000, Texas Instruments Incorporated  
On products compliant to MIL-PRF-38535, all parameters are tested unless otherwise noted. On all other products, production processing does not necessarily include testing of all parameters.

**SN54ALS161B, SN54ALS162B, SN54ALS163B, SN54AS161, SN54AS163  
SN74ALS161B, SN74ALS163B, SN74AS161, SN74AS163  
SYNCHRONOUS 4-BIT DECADE AND BINARY COUNTERS**

SDAS276A – DECEMBER 1994 – REVISED JULY 2000

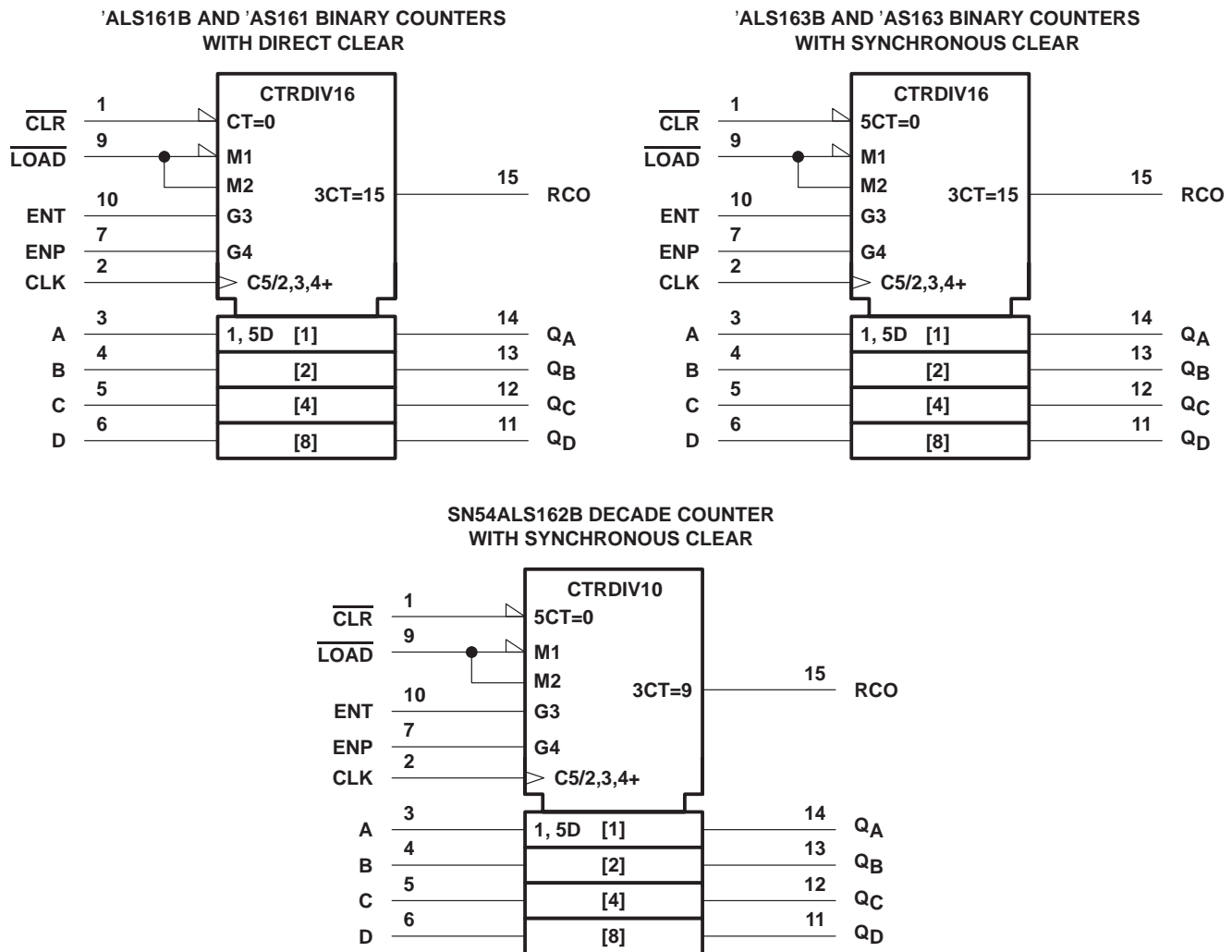
**description (continued)**

produces a high-level pulse while the count is maximum (9 or 15, with  $Q_A$  high). The high-level overflow ripple-carry pulse can be used to enable successive cascaded stages. Transitions at ENP or ENT are allowed, regardless of the level of CLK.

These counters feature a fully independent clock circuit. Changes at control inputs (ENP, ENT, or  $\overline{LOAD}$ ) that modify the operating mode have no effect on the contents of the counter until clocking occurs. The function of the counter (whether enabled, disabled, loading, or counting) is dictated solely by the conditions meeting the stable setup and hold times.

The SN54ALS161B, SN54ALS162B, SN54ALS163B, SN54AS161, and SN54AS163 are characterized for operation over the full military temperature range of  $-55^{\circ}\text{C}$  to  $125^{\circ}\text{C}$ . The SN74ALS161B, SN74ALS163B, SN74AS161, and SN74AS163 are characterized for operation from  $0^{\circ}\text{C}$  to  $70^{\circ}\text{C}$ .

**logic symbols†**



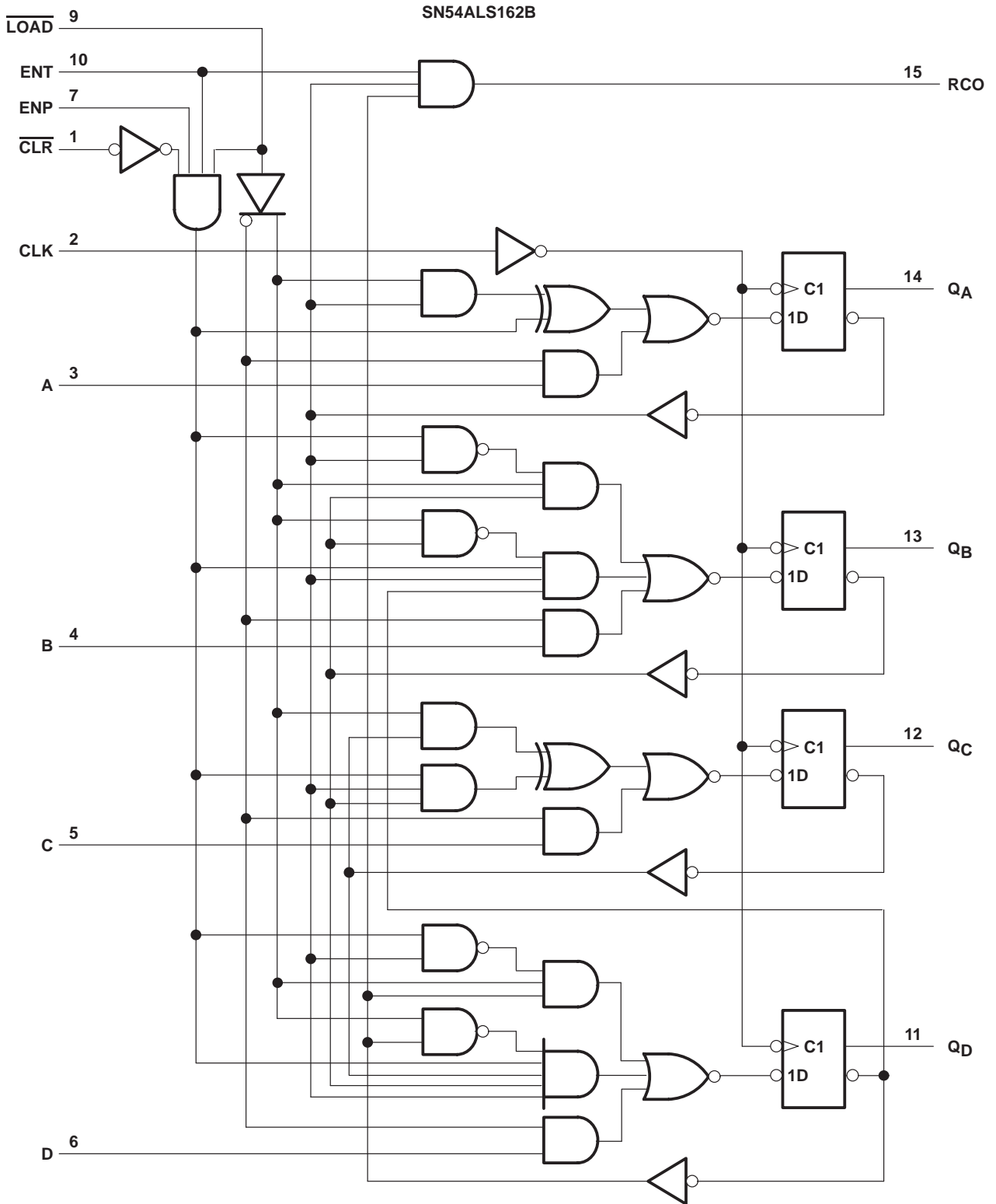
† These symbols are in accordance with ANSI/IEEE Std 91-1984 and IEC Publication 617-12. Pin numbers shown are for the D, DB, J, and N packages.



SN54ALS161B, SN54ALS162B, SN54ALS163B, SN54AS161, SN54AS163  
 SN74ALS161B, SN74ALS163B, SN74AS161, SN74AS163  
 SYNCHRONOUS 4-BIT DECADE AND BINARY COUNTERS

SDAS276A – DECEMBER 1994 – REVISED JULY 2000

logic diagram (positive logic)



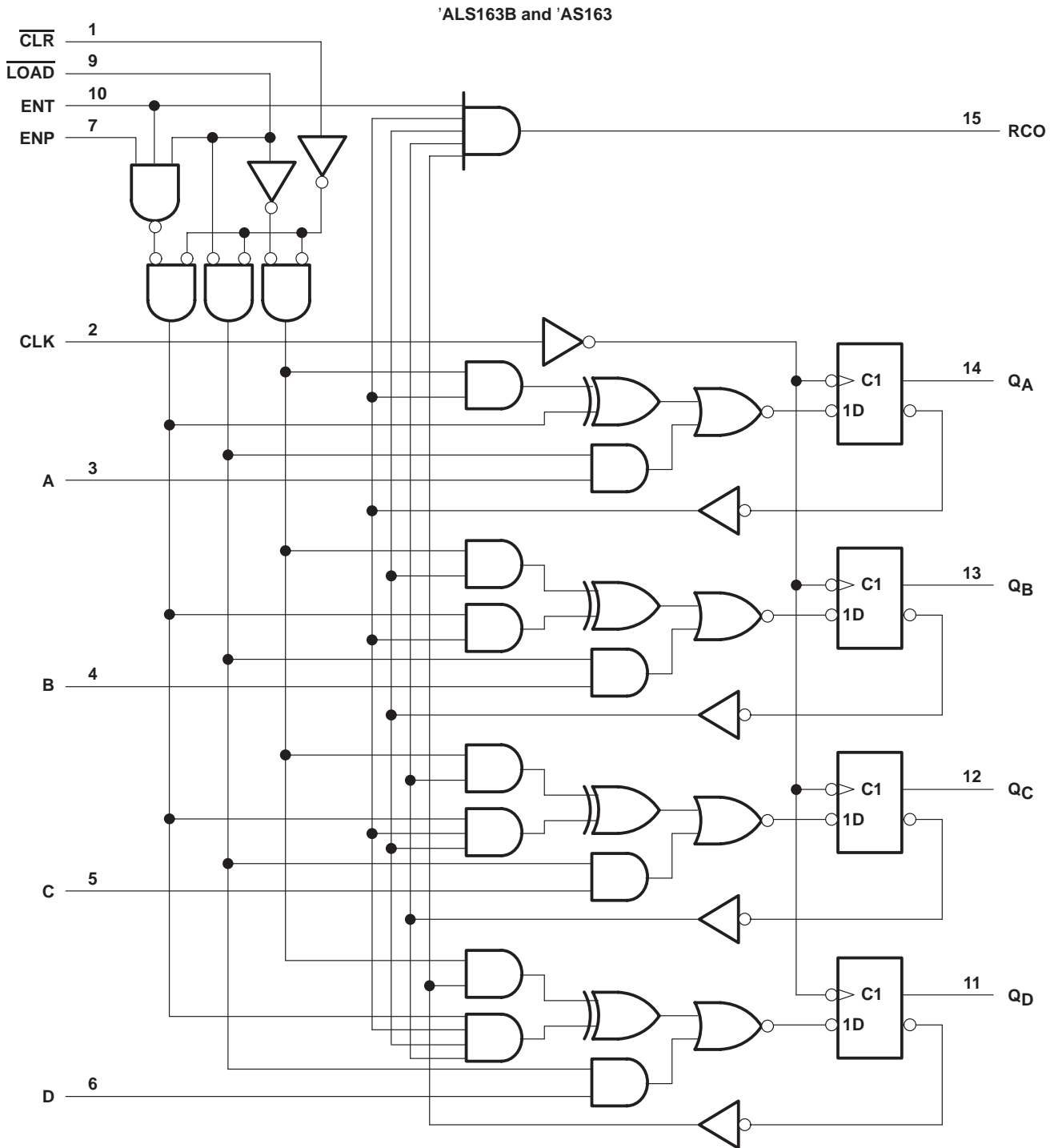
Pin numbers shown are for the J package.



**SN54ALS161B, SN54ALS162B, SN54ALS163B, SN54AS161, SN54AS163  
 SN74ALS161B, SN74ALS163B, SN74AS161, SN74AS163  
 SYNCHRONOUS 4-BIT DECADE AND BINARY COUNTERS**

SDAS276A – DECEMBER 1994 – REVISED JULY 2000

**logic diagram (positive logic)**



Pin numbers shown are for the D, DB, J, and N packages.  
 'ALS161B and 'AS161 synchronous binary counters are similar; however,  $\overline{\text{CLR}}$  is asynchronous.



POST OFFICE BOX 655303 • DALLAS, TEXAS 75265

SN54ALS161B, SN54ALS162B, SN54ALS163B, SN54AS161, SN54AS163  
 SN74ALS161B, SN74ALS163B, SN74AS161, SN74AS163  
 SYNCHRONOUS 4-BIT DECADE AND BINARY COUNTERS

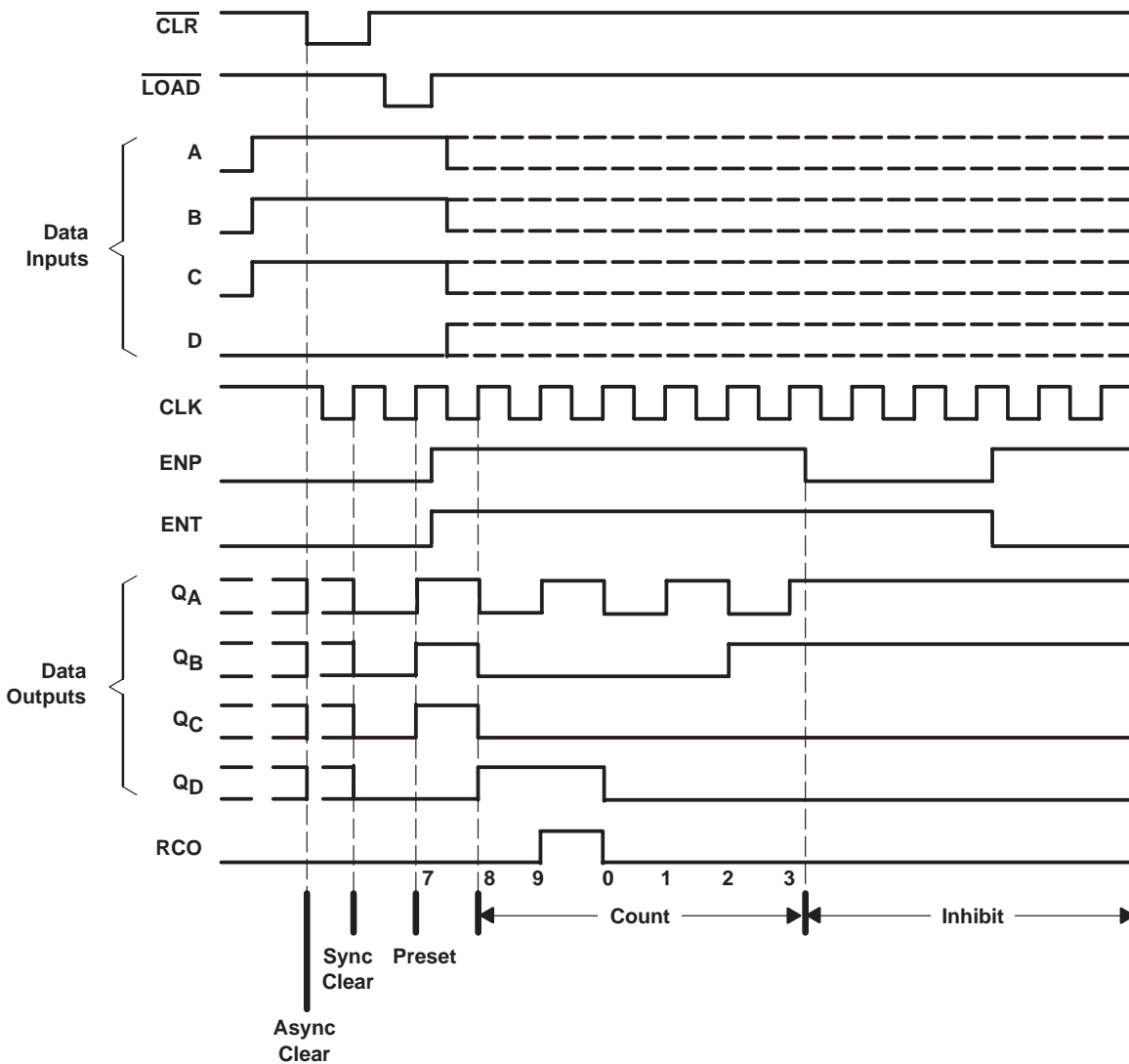
SDAS276A – DECEMBER 1994 – REVISED JULY 2000

typical clear, preset, count, and inhibit sequences

SN54ALS162B

The following sequence is illustrated below:

1. Clear outputs to zero (SN54ALS162B is synchronous)
2. Preset to BCD 7
3. Count to 8, 9, 0, 1, 2, and 3
4. Inhibit



**SN54ALS161B, SN54ALS162B, SN54ALS163B, SN54AS161, SN54AS163  
 SN74ALS161B, SN74ALS163B, SN74AS161, SN74AS163  
 SYNCHRONOUS 4-BIT DECADE AND BINARY COUNTERS**

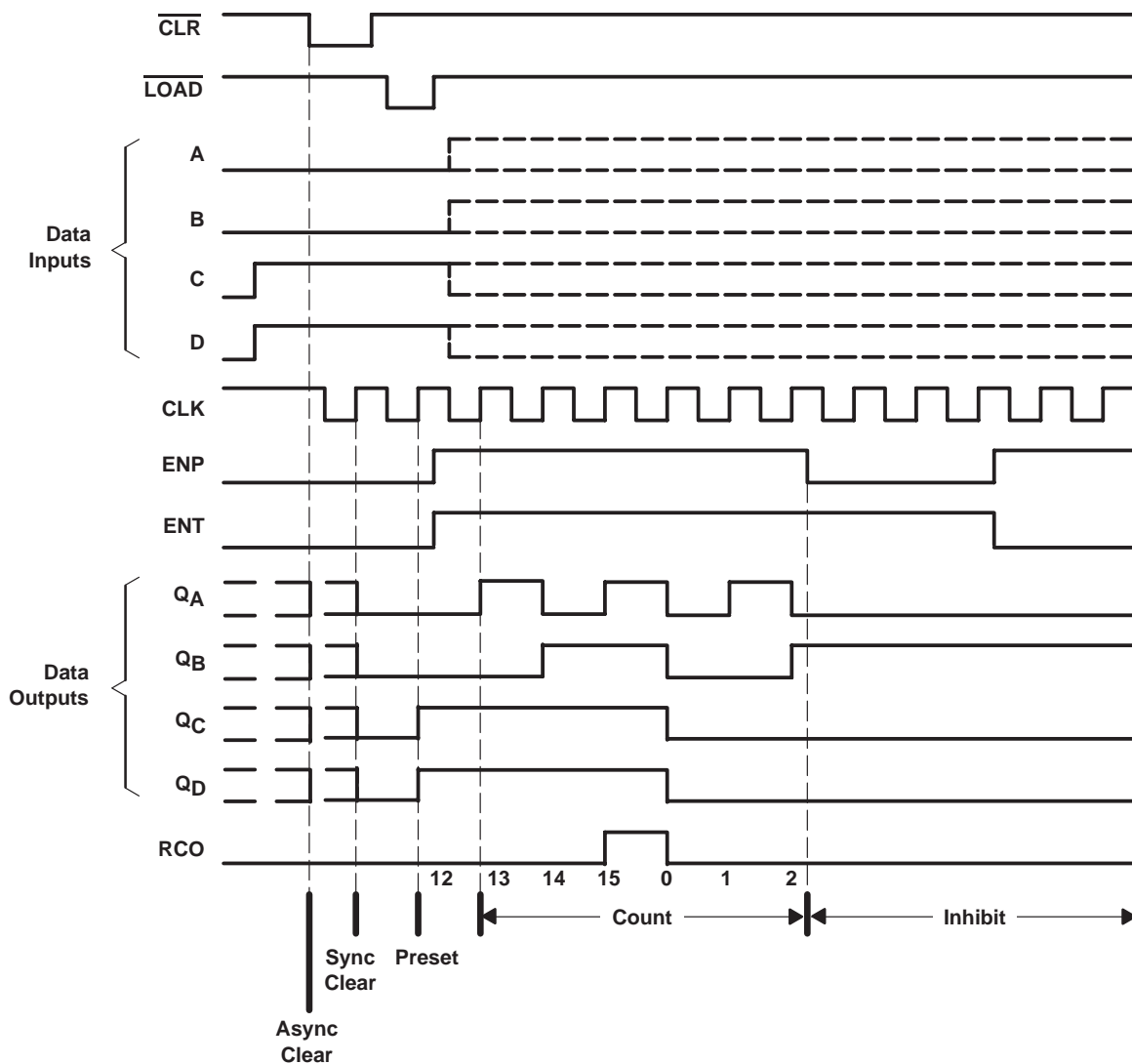
SDAS276A – DECEMBER 1994 – REVISED JULY 2000

**typical clear, preset, count, and inhibit sequences**

'ALS161B, 'AS161, 'ALS163B, and 'AS163

The following sequence is illustrated below:

1. Clear outputs to zero ('ALS161B and 'AS161 are asynchronous; 'ALS163B and 'AS163 are synchronous.)
2. Preset to binary 12
3. Count to 13, 14, 15, 0, 1, and 2
4. Inhibit



**SN54ALS161B, SN54ALS162B, SN54ALS163B, SN54AS161, SN54AS163  
SN74ALS161B, SN74ALS163B, SN74AS161, SN74AS163  
SYNCHRONOUS 4-BIT DECADE AND BINARY COUNTERS**

SDAS276A – DECEMBER 1994 – REVISED JULY 2000

**absolute maximum ratings over operating free-air temperature range (unless otherwise noted)†**

Supply voltage range, $V_{CC}$ .....	–0.5 V to 7 V	
Input voltage range, $V_I$ .....	–0.5 V to 7 V	
Package thermal impedance, $\theta_{JA}$ (see Note 1):	D package .....	73°C/W
	DB package .....	82°C/W
	N package .....	67°C/W
Storage temperature range, $T_{stg}$ .....	–65°C to 150°C	

† Stresses beyond those listed under “absolute maximum ratings” may cause permanent damage to the device. These are stress ratings only, and functional operation of the device at these or any other conditions beyond those indicated under “recommended operating conditions” is not implied. Exposure to absolute-maximum-rated conditions for extended periods may affect device reliability.

NOTE 1: The package thermal impedance is calculated in accordance with JESD 51.

**recommended operating conditions**

		SN54ALS161B SN54ALS162B SN54ALS163B			SN74ALS161B SN74ALS163B			UNIT
		MIN	NOM	MAX	MIN	NOM	MAX	
$V_{CC}$	Supply voltage	4.5	5	5.5	4.5	5	5.5	V
$V_{IH}$	High-level input voltage	2			2			V
$V_{IL}$	Low-level input voltage			0.7			0.8	V
$I_{OH}$	High-level output current			–0.4			–0.4	mA
$I_{OL}$	Low-level output current			4			8	mA
$T_A$	Operating free-air temperature	–55		125	0		70	°C

**electrical characteristics over recommended operating free-air temperature range (unless otherwise noted)**

PARAMETER	TEST CONDITIONS	SN54ALS161B SN54ALS162B SN54ALS163B			SN74ALS161B SN74ALS163B			UNIT	
		MIN	TYP‡	MAX	MIN	TYP‡	MAX		
$V_{IK}$	$V_{CC} = 4.5\text{ V}$ , $I_I = -18\text{ mA}$			–1.5			–1.5	V	
$V_{OH}$	$V_{CC} = 4.5\text{ V to }5.5\text{ V}$ , $I_{OH} = -0.4\text{ mA}$	$V_{CC} - 2$			$V_{CC} - 2$			V	
$V_{OL}$	$V_{CC} = 4.5\text{ V}$		$I_{OL} = 4\text{ mA}$	0.25	0.4		0.25	0.4	V
			$I_{OL} = 8\text{ mA}$				0.35	0.5	
$I_I$	$V_{CC} = 5.5\text{ V}$ , $V_I = 7\text{ V}$			0.1			0.1	mA	
$I_{IH}$	$V_{CC} = 5.5\text{ V}$ , $V_I = 2.7\text{ V}$			20			20	µA	
$I_{IL}$	$V_{CC} = 5.5\text{ V}$ , $V_I = 0.4\text{ V}$			–0.2			–0.2	mA	
$I_{O}^{\S}$	$V_{CC} = 5.5\text{ V}$ , $V_O = 2.25\text{ V}$	–20		–112	–30		–112	mA	
$I_{CC}$	$V_{CC} = 5.5\text{ V}$			12			12	21	mA

‡ All typical values are at  $V_{CC} = 5\text{ V}$ ,  $T_A = 25^\circ\text{C}$ .

§ The output conditions have been chosen to produce a current that closely approximates one-half of the true short-circuit output current,  $I_{OS}$ .



**SN54ALS161B, SN54ALS162B, SN54ALS163B, SN54AS161, SN54AS163  
SN74ALS161B, SN74ALS163B, SN74AS161, SN74AS163  
SYNCHRONOUS 4-BIT DECADE AND BINARY COUNTERS**

SDAS276A – DECEMBER 1994 – REVISED JULY 2000

**timing requirements over recommended operating conditions (unless otherwise noted) (see Figure 1)**

			SN54ALS161B SN54ALS162B SN54ALS163B		SN74ALS161B SN74ALS163B		UNIT	
			MIN	MAX	MIN	MAX		
$f_{clock}$	Clock frequency		22		40		MHz	
$t_w$	Pulse duration	$\overline{CLR}$ high or low	20		12.5		ns	
		'ALS161B $\overline{CLR}$ low	20		15			
$t_{su}$	Setup time, before CLK $\uparrow$	A, B, C, D	50		15		ns	
		$\overline{LOAD}$	20		15			
		'ALS161B	ENP, ENT	25		15		
		SN54ALS162B, 'ALS163B		20		15		
		'ALS161B	$\overline{CLR}$ inactive	10		10		
		SN54ALS162B, 'ALS163B	$\overline{CLR}$ low	20		15		
		$\overline{CLR}$ high	20		10			
$t_h$	Hold time, all synchronous inputs after CLK $\uparrow$		0		0		ns	

**switching characteristics over recommended operating conditions (unless otherwise noted) (see Figure 1)**

PARAMETER	FROM (INPUT)	TO (OUTPUT)	SN54ALS161B		SN74ALS161B		UNIT
			MIN	MAX	MIN	MAX	
$f_{max}$			22		40		MHz
$t_{PLH}$	CLK	RCO	5	34	5	20	ns
$t_{PHL}$			5	27	5	20	
$t_{PLH}$	CLK	Any Q	4	19	4	15	ns
$t_{PHL}$			6	25	6	20	
$t_{PLH}$	ENT	RCO	3	18	3	13	ns
$t_{PHL}$			3	17	3	13	
$t_{PHL}$	$\overline{CLR}$	Any Q	8	27	8	24	ns
		RCO	11	32	11	23	

**switching characteristics over recommended operating conditions (unless otherwise noted) (see Figure 1)**

PARAMETER	FROM (INPUT)	TO (OUTPUT)	SN54ALS162B SN54ALS163B		SN74ALS163B		UNIT
			MIN	MAX	MIN	MAX	
$f_{max}$			22		40		MHz
$t_{PLH}$	CLK	RCO	5	25	5	20	ns
$t_{PHL}$			5	25	5	20	
$t_{PLH}$	CLK	Any Q	4	18	4	15	ns
$t_{PHL}$			6	25	6	20	
$t_{PLH}$	ENT	RCO	3	16	3	13	ns
$t_{PHL}$			3	16	3	13	



**SN54ALS161B, SN54ALS162B, SN54ALS163B, SN54AS161, SN54AS163  
SN74ALS161B, SN74ALS163B, SN74AS161, SN74AS163  
SYNCHRONOUS 4-BIT DECADE AND BINARY COUNTERS**

SDAS276A – DECEMBER 1994 – REVISED JULY 2000

**recommended operating conditions**

		SN54AS161 SN54AS163			SN74AS161 SN74AS163			UNIT
		MIN	NOM	MAX	MIN	NOM	MAX	
V <sub>CC</sub>	Supply voltage	4.5	5	5.5	4.5	5	5.5	V
V <sub>IH</sub>	High-level input voltage	2			2			V
V <sub>IL</sub>	Low-level input voltage			0.8			0.8	V
I <sub>OH</sub>	High-level output current			-2			-2	mA
I <sub>OL</sub>	Low-level output current			20			20	mA
T <sub>A</sub>	Operating free-air temperature	-55		125	0		70	°C

**electrical characteristics over recommended operating free-air temperature range (unless otherwise noted)**

PARAMETER		TEST CONDITIONS		SN54AS161 SN54AS163			SN74AS161 SN74AS163			UNIT
				MIN	TYP†	MAX	MIN	TYP†	MAX	
V <sub>IK</sub>		V <sub>CC</sub> = 4.5 V,	I <sub>I</sub> = -18 mA			-1.2			-1.2	V
V <sub>OH</sub>		V <sub>CC</sub> = 4.5 V to 5.5 V,	I <sub>OH</sub> = -2 mA	V <sub>CC</sub> - 2			V <sub>CC</sub> - 2			V
V <sub>OL</sub>		V <sub>CC</sub> = 4.5 V,	I <sub>OL</sub> = 20 mA	0.25	0.5		0.25	0.5		V
I <sub>I</sub>	LOAD	V <sub>CC</sub> = 5.5 V,	V <sub>I</sub> = 7 V			0.3			0.3	mA
	ENT					0.2		0.2		
	All others					0.1		0.1		
I <sub>IH</sub>	LOAD	V <sub>CC</sub> = 5.5 V,	V <sub>I</sub> = 2.7 V			60			60	μA
	ENT					40		40		
	All others					20		20		
I <sub>IL</sub>	LOAD	V <sub>CC</sub> = 5.5 V,	V <sub>I</sub> = 0.4 V			-1.5			-1.5	mA
	ENT					-1		-1		
	All others					-0.5		-0.5		
I <sub>O</sub> ‡		V <sub>CC</sub> = 5.5 V,	V <sub>O</sub> = 2.25 V	-30		-112	-30		-112	mA
I <sub>CC</sub>		V <sub>CC</sub> = 5.5 V		35	53		35	53		mA

† All typical values are at V<sub>CC</sub> = 5 V, T<sub>A</sub> = 25°C.

‡ The output conditions have been chosen to produce a current that closely approximates one half of the true short-circuit output current, I<sub>OS</sub>.

**SN54ALS161B, SN54ALS162B, SN54ALS163B, SN54AS161, SN54AS163  
SN74ALS161B, SN74ALS163B, SN74AS161, SN74AS163  
SYNCHRONOUS 4-BIT DECADE AND BINARY COUNTERS**

SDAS276A – DECEMBER 1994 – REVISED JULY 2000

**timing requirements over recommended operating conditions (see Figure 1)**

		SN54AS161 SN54AS163		SN74AS161 SN74AS163		UNIT
		MIN	MAX	MIN	MAX	
$f_{\text{clock}}$	Clock frequency	65		75		MHz
$t_w$	Pulse duration	$\overline{\text{CLR}}$ high or low		7.7	6.7	ns
		'AS161	$\overline{\text{CLR}}$ low	10	8	
$t_{\text{su}}$	Setup time, before CLK $\uparrow$	A, B, C, D		10	8	ns
		$\overline{\text{LOAD}}$		10	8	
		ENP, ENT		10	8	
		'AS161	$\overline{\text{CLR}}$ inactive	10	8	
		'AS163	$\overline{\text{CLR}}$ low	14	12	
			$\overline{\text{CLR}}$ high (inactive)	10	9	
$t_h$	Hold time, all synchronous inputs after CLK $\uparrow$	2		0		ns

**switching characteristics over recommended operating conditions (see Figure 1)**

PARAMETER	FROM (INPUT)	TO (OUTPUT)	SN54AS161		SN74AS161		UNIT
			MIN	MAX	MIN	MAX	
$f_{\text{max}}$			65*		75		MHz
$t_{\text{PLH}}$	CLK	RCO (with $\overline{\text{LOAD}}$ high)	1	8.5	1	8	ns
		RCO (with $\overline{\text{LOAD}}$ low)	3	17.5	3	16.5	
$t_{\text{PHL}}$	CLK	RCO	2	14	2	12.5	ns
$t_{\text{PLH}}$	CLK	Any Q	1	7.5	1	7	ns
$t_{\text{PHL}}$			2	14	2	13	
$t_{\text{PLH}}$	ENT	RCO	1.5	10	1.5	9	ns
$t_{\text{PHL}}$			1	9.5	1	8.5	
$t_{\text{PHL}}$	$\overline{\text{CLR}}$	Any Q	2	14	2	13	ns
		RCO	2	14	2	12.5	

\* On products compliant to MIL-PRF-38535, this parameter is not production tested.

**switching characteristics over recommended operating conditions (see Figure 1)**

PARAMETER	FROM (INPUT)	TO (OUTPUT)	SN54AS163		SN74AS163		UNIT
			MIN	MAX	MIN	MAX	
$f_{\text{max}}$			65*		75		MHz
$t_{\text{PLH}}$	CLK	RCO (with $\overline{\text{LOAD}}$ high)	1	8.5	1	8	ns
		RCO (with $\overline{\text{LOAD}}$ low)	3	17.5	3	16.5	
$t_{\text{PHL}}$	CLK	RCO	2	14	2	12.5	ns
$t_{\text{PLH}}$	CLK	Any Q	1	7.5	1	7	ns
$t_{\text{PHL}}$			2	14	2	13	
$t_{\text{PLH}}$	ENT	RCO	1.5	10	1.5	9	ns
$t_{\text{PHL}}$			1	9.5	1	8.5	

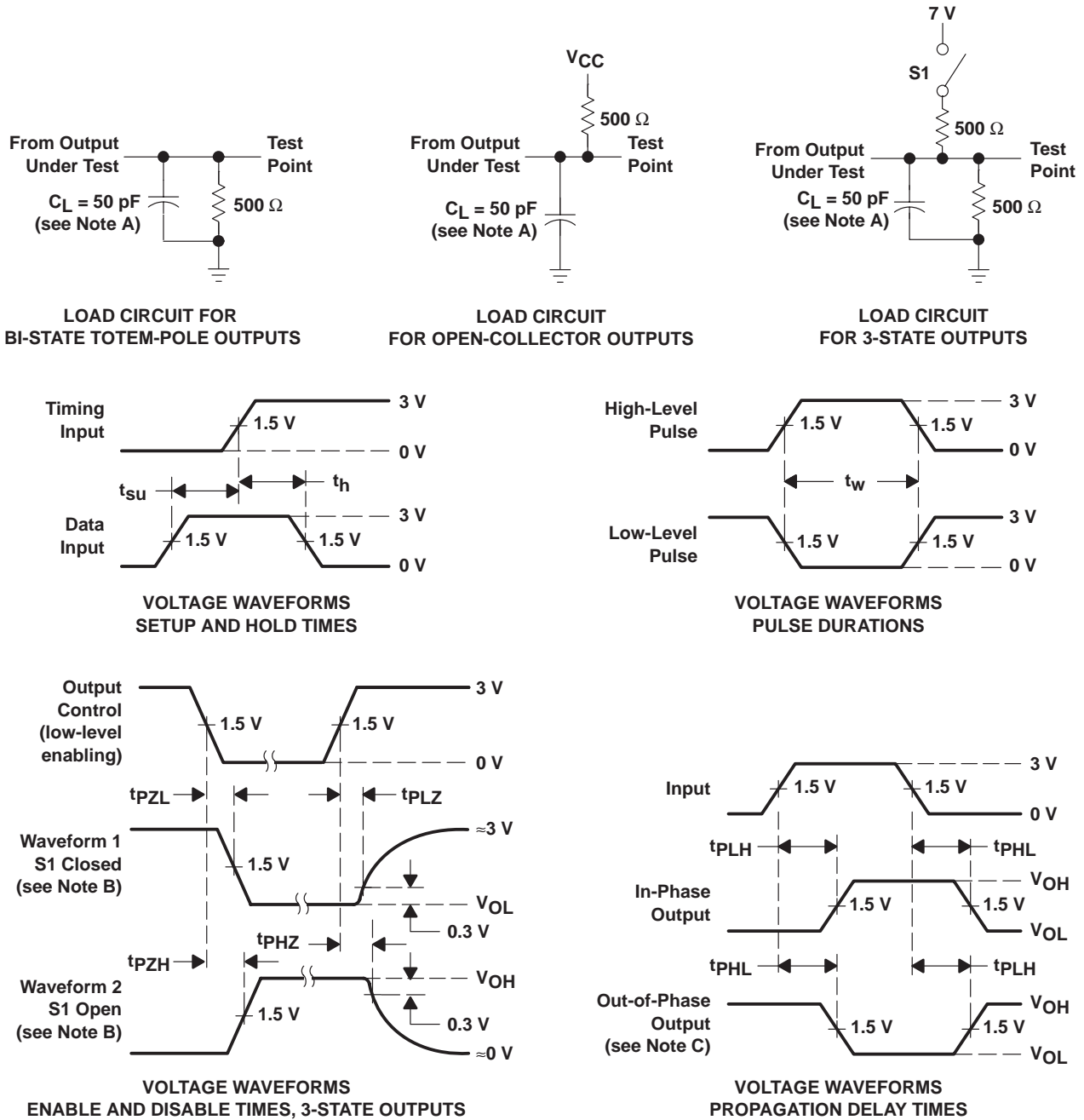
\* On products compliant to MIL-PRF-38535, this parameter is not production tested.



SN54ALS161B, SN54ALS162B, SN54ALS163B, SN54AS161, SN54AS163  
 SN74ALS161B, SN74ALS163B, SN74AS161, SN74AS163  
 SYNCHRONOUS 4-BIT DECADE AND BINARY COUNTERS

SDAS276A – DECEMBER 1994 – REVISED JULY 2000

PARAMETER MEASUREMENT INFORMATION  
 SERIES 54ALS/74ALS AND 54AS/74AS DEVICES



- NOTES: A.  $C_L$  includes probe and jig capacitance.  
 B. Waveform 1 is for an output with internal conditions such that the output is low except when disabled by the output control. Waveform 2 is for an output with internal conditions such that the output is high except when disabled by the output control.  
 C. When measuring propagation delay items of 3-state outputs, switch S1 is open.  
 D. All input pulses have the following characteristics:  $PRR \leq 1$  MHz,  $t_r = t_f = 2$  ns, duty cycle = 50%.  
 E. The outputs are measured one at a time with one input transition per measurement.

Figure 1. Load Circuits and Voltage Waveforms

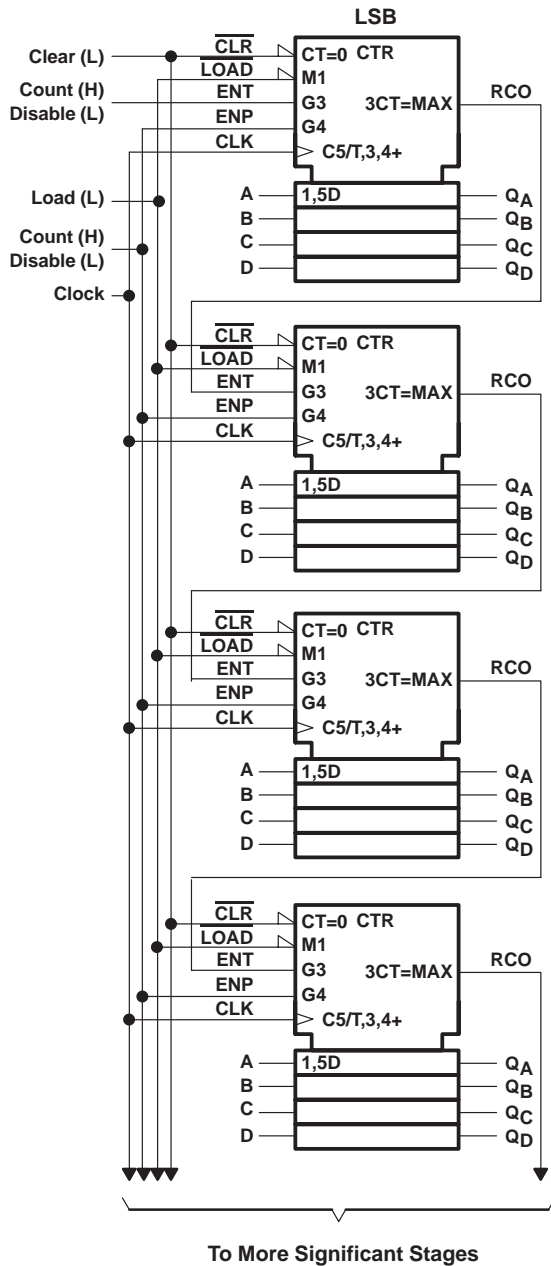
SN54ALS161B, SN54ALS162B, SN54ALS163B, SN54AS161, SN54AS163  
 SN74ALS161B, SN74ALS163B, SN74AS161, SN74AS163  
 SYNCHRONOUS 4-BIT DECADE AND BINARY COUNTERS

SDAS276A – DECEMBER 1994 – REVISED JULY 2000

APPLICATION INFORMATION

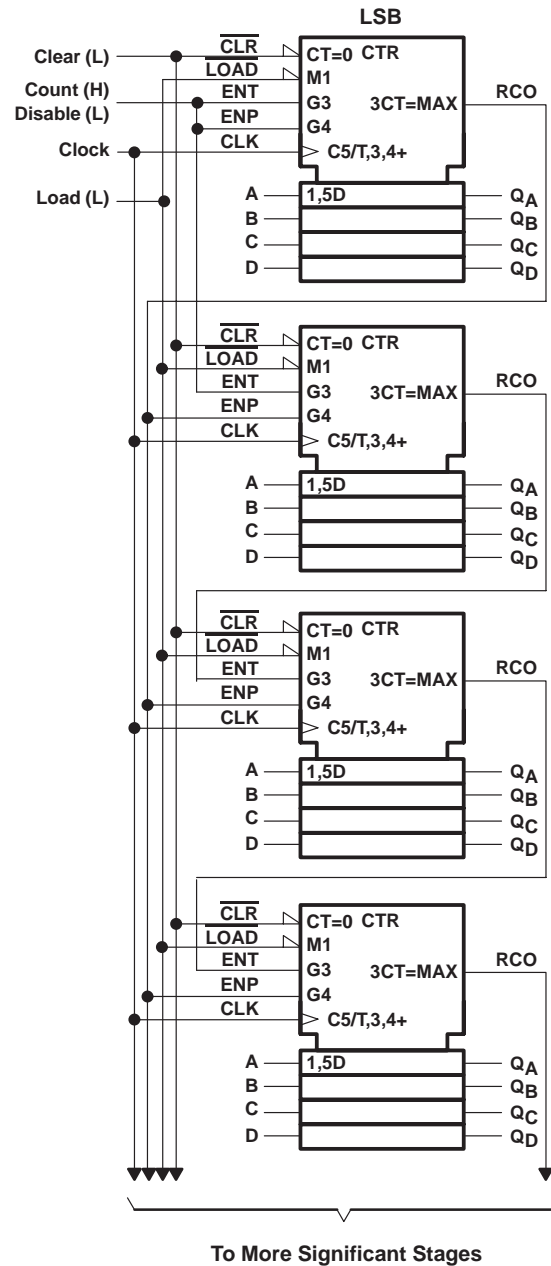
n-bit synchronous counters

This application demonstrates how the ripple-mode carry circuit (see Figure 2) and the carry look-ahead circuit (see Figure 3) can be used to implement a high-speed n-bit counter. The SN54ALS162B counts in BCD. The 'ALS161B, 'AS161, 'ALS163B, and 'AS163 devices count in binary. When additional stages are added, the  $f_{max}$  decreases in Figure 2, but remains unchanged in Figure 3.



$$f_{max} = 1/(\text{CLK to RCO } t_{PLH}) + (\text{ENT to RCO } t_{PLH}) (N - 2) + (\text{ENT } t_{su})$$

Figure 2. Ripple-Mode Carry Circuit



$$f_{max} = 1/(\text{CLK to RCO } t_{PLH}) + (\text{ENP } t_{su})$$

Figure 3. Carry Look-Ahead Circuit



## IMPORTANT NOTICE

Texas Instruments Incorporated and its subsidiaries (TI) reserve the right to make corrections, modifications, enhancements, improvements, and other changes to its products and services at any time and to discontinue any product or service without notice. Customers should obtain the latest relevant information before placing orders and should verify that such information is current and complete. All products are sold subject to TI's terms and conditions of sale supplied at the time of order acknowledgment.

TI warrants performance of its hardware products to the specifications applicable at the time of sale in accordance with TI's standard warranty. Testing and other quality control techniques are used to the extent TI deems necessary to support this warranty. Except where mandated by government requirements, testing of all parameters of each product is not necessarily performed.

TI assumes no liability for applications assistance or customer product design. Customers are responsible for their products and applications using TI components. To minimize the risks associated with customer products and applications, customers should provide adequate design and operating safeguards.

TI does not warrant or represent that any license, either express or implied, is granted under any TI patent right, copyright, mask work right, or other TI intellectual property right relating to any combination, machine, or process in which TI products or services are used. Information published by TI regarding third-party products or services does not constitute a license from TI to use such products or services or a warranty or endorsement thereof. Use of such information may require a license from a third party under the patents or other intellectual property of the third party, or a license from TI under the patents or other intellectual property of TI.

Reproduction of information in TI data books or data sheets is permissible only if reproduction is without alteration and is accompanied by all associated warranties, conditions, limitations, and notices. Reproduction of this information with alteration is an unfair and deceptive business practice. TI is not responsible or liable for such altered documentation.

Resale of TI products or services with statements different from or beyond the parameters stated by TI for that product or service voids all express and any implied warranties for the associated TI product or service and is an unfair and deceptive business practice. TI is not responsible or liable for any such statements.

TI products are not authorized for use in safety-critical applications (such as life support) where a failure of the TI product would reasonably be expected to cause severe personal injury or death, unless officers of the parties have executed an agreement specifically governing such use. Buyers represent that they have all necessary expertise in the safety and regulatory ramifications of their applications, and acknowledge and agree that they are solely responsible for all legal, regulatory and safety-related requirements concerning their products and any use of TI products in such safety-critical applications, notwithstanding any applications-related information or support that may be provided by TI. Further, Buyers must fully indemnify TI and its representatives against any damages arising out of the use of TI products in such safety-critical applications.

TI products are neither designed nor intended for use in military/aerospace applications or environments unless the TI products are specifically designated by TI as military-grade or "enhanced plastic." Only products designated by TI as military-grade meet military specifications. Buyers acknowledge and agree that any such use of TI products which TI has not designated as military-grade is solely at the Buyer's risk, and that they are solely responsible for compliance with all legal and regulatory requirements in connection with such use.

TI products are neither designed nor intended for use in automotive applications or environments unless the specific TI products are designated by TI as compliant with ISO/TS 16949 requirements. Buyers acknowledge and agree that, if they use any non-designated products in automotive applications, TI will not be responsible for any failure to meet such requirements.

Following are URLs where you can obtain information on other Texas Instruments products and application solutions:

<b>Products</b>		<b>Applications</b>	
Amplifiers	<a href="http://amplifier.ti.com">amplifier.ti.com</a>	Audio	<a href="http://www.ti.com/audio">www.ti.com/audio</a>
Data Converters	<a href="http://dataconverter.ti.com">dataconverter.ti.com</a>	Automotive	<a href="http://www.ti.com/automotive">www.ti.com/automotive</a>
DSP	<a href="http://dsp.ti.com">dsp.ti.com</a>	Broadband	<a href="http://www.ti.com/broadband">www.ti.com/broadband</a>
Interface	<a href="http://interface.ti.com">interface.ti.com</a>	Digital Control	<a href="http://www.ti.com/digitalcontrol">www.ti.com/digitalcontrol</a>
Logic	<a href="http://logic.ti.com">logic.ti.com</a>	Military	<a href="http://www.ti.com/military">www.ti.com/military</a>
Power Mgmt	<a href="http://power.ti.com">power.ti.com</a>	Optical Networking	<a href="http://www.ti.com/opticalnetwork">www.ti.com/opticalnetwork</a>
Microcontrollers	<a href="http://microcontroller.ti.com">microcontroller.ti.com</a>	Security	<a href="http://www.ti.com/security">www.ti.com/security</a>
Low Power Wireless	<a href="http://www.ti.com/lpw">www.ti.com/lpw</a>	Telephony	<a href="http://www.ti.com/telephony">www.ti.com/telephony</a>
		Video & Imaging	<a href="http://www.ti.com/video">www.ti.com/video</a>
		Wireless	<a href="http://www.ti.com/wireless">www.ti.com/wireless</a>

Mailing Address: Texas Instruments, Post Office Box 655303, Dallas, Texas 75265  
Copyright © 2007, Texas Instruments Incorporated

**PACKAGING INFORMATION**

Orderable Device	Status <sup>(1)</sup>	Package Type	Package Drawing	Pins	Package Qty	Eco Plan <sup>(2)</sup>	Lead/Ball Finish	MSL Peak Temp <sup>(3)</sup>
83022012A	ACTIVE	LCCC	FK	20	1	TBD	POST-PLATE	N / A for Pkg Type
8302201EA	ACTIVE	CDIP	J	16	1	TBD	A42	N / A for Pkg Type
8302201FA	ACTIVE	CFP	W	16	1	TBD	A42	N / A for Pkg Type
83022022A	ACTIVE	LCCC	FK	20	1	TBD	POST-PLATE	N / A for Pkg Type
8302202EA	ACTIVE	CDIP	J	16	1	TBD	A42	N / A for Pkg Type
8302202FA	OBSOLETE	CFP	W	16		TBD	Call TI	Call TI
JM38510/38001B2A	ACTIVE	LCCC	FK	20	1	TBD	POST-PLATE	N / A for Pkg Type
JM38510/38001BEA	ACTIVE	CDIP	J	16	1	TBD	A42	N / A for Pkg Type
JM38510/38002B2A	ACTIVE	LCCC	FK	20	1	TBD	POST-PLATE	N / A for Pkg Type
JM38510/38002BEA	ACTIVE	CDIP	J	16	1	TBD	A42	N / A for Pkg Type
SN54ALS161BJ	ACTIVE	CDIP	J	16	1	TBD	A42	N / A for Pkg Type
SN54ALS163BJ	ACTIVE	CDIP	J	16	1	TBD	A42	N / A for Pkg Type
SN54AS163J	OBSOLETE	CDIP	J	16		TBD	Call TI	Call TI
SN74ALS161BD	ACTIVE	SOIC	D	16	40	Green (RoHS & no Sb/Br)	CU NIPDAU	Level-1-260C-UNLIM
SN74ALS161BDE4	ACTIVE	SOIC	D	16	40	Green (RoHS & no Sb/Br)	CU NIPDAU	Level-1-260C-UNLIM
SN74ALS161BDG4	ACTIVE	SOIC	D	16	40	Green (RoHS & no Sb/Br)	CU NIPDAU	Level-1-260C-UNLIM
SN74ALS161BDR	ACTIVE	SOIC	D	16	2500	Green (RoHS & no Sb/Br)	CU NIPDAU	Level-1-260C-UNLIM
SN74ALS161BDRE4	ACTIVE	SOIC	D	16	2500	Green (RoHS & no Sb/Br)	CU NIPDAU	Level-1-260C-UNLIM
SN74ALS161BDRG4	ACTIVE	SOIC	D	16	2500	Green (RoHS & no Sb/Br)	CU NIPDAU	Level-1-260C-UNLIM
SN74ALS161BN	ACTIVE	PDIP	N	16	25	Pb-Free (RoHS)	CU NIPDAU	N / A for Pkg Type
SN74ALS161BN3	OBSOLETE	PDIP	N	16		TBD	Call TI	Call TI
SN74ALS161BNE4	ACTIVE	PDIP	N	16	25	Pb-Free (RoHS)	CU NIPDAU	N / A for Pkg Type
SN74ALS161BNSR	ACTIVE	SO	NS	16	2000	Green (RoHS & no Sb/Br)	CU NIPDAU	Level-1-260C-UNLIM
SN74ALS161BNSRE4	ACTIVE	SO	NS	16	2000	Green (RoHS & no Sb/Br)	CU NIPDAU	Level-1-260C-UNLIM
SN74ALS161BNSRG4	ACTIVE	SO	NS	16	2000	Green (RoHS & no Sb/Br)	CU NIPDAU	Level-1-260C-UNLIM
SN74ALS163BD	ACTIVE	SOIC	D	16	40	Green (RoHS & no Sb/Br)	CU NIPDAU	Level-1-260C-UNLIM
SN74ALS163BDBRE4	ACTIVE	SSOP	DB	16		TBD	Call TI	Call TI
SN74ALS163BDBRG4	ACTIVE	SSOP	DB	16		TBD	Call TI	Call TI
SN74ALS163BDE4	ACTIVE	SOIC	D	16	40	Green (RoHS & no Sb/Br)	CU NIPDAU	Level-1-260C-UNLIM
SN74ALS163BDG4	ACTIVE	SOIC	D	16	40	Green (RoHS & no Sb/Br)	CU NIPDAU	Level-1-260C-UNLIM
SN74ALS163BDR	ACTIVE	SOIC	D	16	2500	Green (RoHS & no Sb/Br)	CU NIPDAU	Level-1-260C-UNLIM
SN74ALS163BDRE4	ACTIVE	SOIC	D	16	2500	Green (RoHS & no Sb/Br)	CU NIPDAU	Level-1-260C-UNLIM

Orderable Device	Status <sup>(1)</sup>	Package Type	Package Drawing	Pins	Package Qty	Eco Plan <sup>(2)</sup>	Lead/Ball Finish	MSL Peak Temp <sup>(3)</sup>
						no Sb/Br)		
SN74ALS163BDRG4	ACTIVE	SOIC	D	16	2500	Green (RoHS & no Sb/Br)	CU NIPDAU	Level-1-260C-UNLIM
SN74ALS163BN	ACTIVE	PDIP	N	16	25	Pb-Free (RoHS)	CU NIPDAU	N / A for Pkg Type
SN74ALS163BN3	OBSOLETE	PDIP	N	16		TBD	Call TI	Call TI
SN74ALS163BNE4	ACTIVE	PDIP	N	16	25	Pb-Free (RoHS)	CU NIPDAU	N / A for Pkg Type
SN74ALS163BNSR	ACTIVE	SO	NS	16	2000	Green (RoHS & no Sb/Br)	CU NIPDAU	Level-1-260C-UNLIM
SN74ALS163BNSRE4	ACTIVE	SO	NS	16	2000	Green (RoHS & no Sb/Br)	CU NIPDAU	Level-1-260C-UNLIM
SN74ALS163BNSRG4	ACTIVE	SO	NS	16	2000	Green (RoHS & no Sb/Br)	CU NIPDAU	Level-1-260C-UNLIM
SN74AS161DE4	ACTIVE	SOIC	D	16		TBD	Call TI	Call TI
SN74AS161DG4	ACTIVE	SOIC	D	16		TBD	Call TI	Call TI
SN74AS161DRE4	ACTIVE	SOIC	D	16		TBD	Call TI	Call TI
SN74AS161DRG4	ACTIVE	SOIC	D	16		TBD	Call TI	Call TI
SN74AS161N	ACTIVE	PDIP	N	16	25	Pb-Free (RoHS)	CU NIPDAU	N / A for Pkg Type
SN74AS161NE4	ACTIVE	PDIP	N	16	25	Pb-Free (RoHS)	CU NIPDAU	N / A for Pkg Type
SN74AS161NSR	ACTIVE	SO	NS	16	2000	Green (RoHS & no Sb/Br)	CU NIPDAU	Level-1-260C-UNLIM
SN74AS161NSRE4	ACTIVE	SO	NS	16	2000	Green (RoHS & no Sb/Br)	CU NIPDAU	Level-1-260C-UNLIM
SN74AS161NSRG4	ACTIVE	SO	NS	16	2000	Green (RoHS & no Sb/Br)	CU NIPDAU	Level-1-260C-UNLIM
SN74AS163D	ACTIVE	SOIC	D	16	40	Green (RoHS & no Sb/Br)	CU NIPDAU	Level-1-260C-UNLIM
SN74AS163DE4	ACTIVE	SOIC	D	16	40	Green (RoHS & no Sb/Br)	CU NIPDAU	Level-1-260C-UNLIM
SN74AS163DG4	ACTIVE	SOIC	D	16	40	Green (RoHS & no Sb/Br)	CU NIPDAU	Level-1-260C-UNLIM
SN74AS163DRE4	ACTIVE	SOIC	D	16		TBD	Call TI	Call TI
SN74AS163DRG4	ACTIVE	SOIC	D	16		TBD	Call TI	Call TI
SN74AS163N	ACTIVE	PDIP	N	16	25	Pb-Free (RoHS)	CU NIPDAU	N / A for Pkg Type
SN74AS163NE4	ACTIVE	PDIP	N	16	25	Pb-Free (RoHS)	CU NIPDAU	N / A for Pkg Type
SN74AS163NSR	ACTIVE	SO	NS	16	2000	Green (RoHS & no Sb/Br)	CU NIPDAU	Level-1-260C-UNLIM
SN74AS163NSRE4	ACTIVE	SO	NS	16	2000	Green (RoHS & no Sb/Br)	CU NIPDAU	Level-1-260C-UNLIM
SN74AS163NSRG4	ACTIVE	SO	NS	16	2000	Green (RoHS & no Sb/Br)	CU NIPDAU	Level-1-260C-UNLIM
SNJ54ALS161BFK	ACTIVE	LCCC	FK	20	1	TBD	POST-PLATE	N / A for Pkg Type
SNJ54ALS161BJ	ACTIVE	CDIP	J	16	1	TBD	A42	N / A for Pkg Type
SNJ54ALS161BW	ACTIVE	CFP	W	16	1	TBD	A42	N / A for Pkg Type

Orderable Device	Status <sup>(1)</sup>	Package Type	Package Drawing	Pins	Package Qty	Eco Plan <sup>(2)</sup>	Lead/Ball Finish	MSL Peak Temp <sup>(3)</sup>
SNJ54ALS163BFK	ACTIVE	LCCC	FK	20	1	TBD	POST-PLATE	N / A for Pkg Type
SNJ54ALS163BJ	ACTIVE	CDIP	J	16	1	TBD	A42	N / A for Pkg Type
SNJ54AS161FK	ACTIVE	LCCC	FK	20	1	TBD	POST-PLATE	N / A for Pkg Type
SNJ54AS161J	ACTIVE	CDIP	J	16	1	TBD	A42	N / A for Pkg Type
SNJ54AS163J	OBSOLETE	CDIP	J	16		TBD	Call TI	Call TI

<sup>(1)</sup> The marketing status values are defined as follows:

**ACTIVE:** Product device recommended for new designs.

**LIFEBUY:** TI has announced that the device will be discontinued, and a lifetime-buy period is in effect.

**NRND:** Not recommended for new designs. Device is in production to support existing customers, but TI does not recommend using this part in a new design.

**PREVIEW:** Device has been announced but is not in production. Samples may or may not be available.

**OBSOLETE:** TI has discontinued the production of the device.

<sup>(2)</sup> Eco Plan - The planned eco-friendly classification: Pb-Free (RoHS), Pb-Free (RoHS Exempt), or Green (RoHS & no Sb/Br) - please check <http://www.ti.com/productcontent> for the latest availability information and additional product content details.

**TBD:** The Pb-Free/Green conversion plan has not been defined.

**Pb-Free (RoHS):** TI's terms "Lead-Free" or "Pb-Free" mean semiconductor products that are compatible with the current RoHS requirements for all 6 substances, including the requirement that lead not exceed 0.1% by weight in homogeneous materials. Where designed to be soldered at high temperatures, TI Pb-Free products are suitable for use in specified lead-free processes.

**Pb-Free (RoHS Exempt):** This component has a RoHS exemption for either 1) lead-based flip-chip solder bumps used between the die and package, or 2) lead-based die adhesive used between the die and leadframe. The component is otherwise considered Pb-Free (RoHS compatible) as defined above.

**Green (RoHS & no Sb/Br):** TI defines "Green" to mean Pb-Free (RoHS compatible), and free of Bromine (Br) and Antimony (Sb) based flame retardants (Br or Sb do not exceed 0.1% by weight in homogeneous material)

<sup>(3)</sup> MSL, Peak Temp. -- The Moisture Sensitivity Level rating according to the JEDEC industry standard classifications, and peak solder temperature.

**Important Information and Disclaimer:** The information provided on this page represents TI's knowledge and belief as of the date that it is provided. TI bases its knowledge and belief on information provided by third parties, and makes no representation or warranty as to the accuracy of such information. Efforts are underway to better integrate information from third parties. TI has taken and continues to take reasonable steps to provide representative and accurate information but may not have conducted destructive testing or chemical analysis on incoming materials and chemicals. TI and TI suppliers consider certain information to be proprietary, and thus CAS numbers and other limited information may not be available for release.

In no event shall TI's liability arising out of such information exceed the total purchase price of the TI part(s) at issue in this document sold by TI to Customer on an annual basis.

**TAPE AND REEL INFORMATION**

**QUADRANT ASSIGNMENTS FOR PIN 1 ORIENTATION IN TAPE**


\*All dimensions are nominal

Device	Package Type	Package Drawing	Pins	SPQ	Reel Diameter (mm)	Reel Width W1 (mm)	A0 (mm)	B0 (mm)	K0 (mm)	P1 (mm)	W (mm)	Pin1 Quadrant
SN74ALS161BDR	SOIC	D	16	2500	330.0	16.4	6.5	10.3	2.1	8.0	16.0	Q1
SN74ALS161BNSR	SO	NS	16	2000	330.0	16.4	8.2	10.5	2.5	12.0	16.0	Q1
SN74ALS163BDR	SOIC	D	16	2500	330.0	16.4	6.5	10.3	2.1	8.0	16.0	Q1
SN74ALS163BNSR	SO	NS	16	2000	330.0	16.4	8.2	10.5	2.5	12.0	16.0	Q1
SN74AS161NSR	SO	NS	16	2000	330.0	16.4	8.2	10.5	2.5	12.0	16.0	Q1
SN74AS163NSR	SO	NS	16	2000	330.0	16.4	8.2	10.5	2.5	12.0	16.0	Q1

**TAPE AND REEL BOX DIMENSIONS**


\*All dimensions are nominal

Device	Package Type	Package Drawing	Pins	SPQ	Length (mm)	Width (mm)	Height (mm)
SN74ALS161BDR	SOIC	D	16	2500	333.2	345.9	28.6
SN74ALS161BNSR	SO	NS	16	2000	346.0	346.0	33.0
SN74ALS163BDR	SOIC	D	16	2500	333.2	345.9	28.6
SN74ALS163BNSR	SO	NS	16	2000	346.0	346.0	33.0
SN74AS161NSR	SO	NS	16	2000	346.0	346.0	33.0
SN74AS163NSR	SO	NS	16	2000	346.0	346.0	33.0

DB (R-PDSO-G\*\*)

PLASTIC SMALL-OUTLINE

28 PINS SHOWN

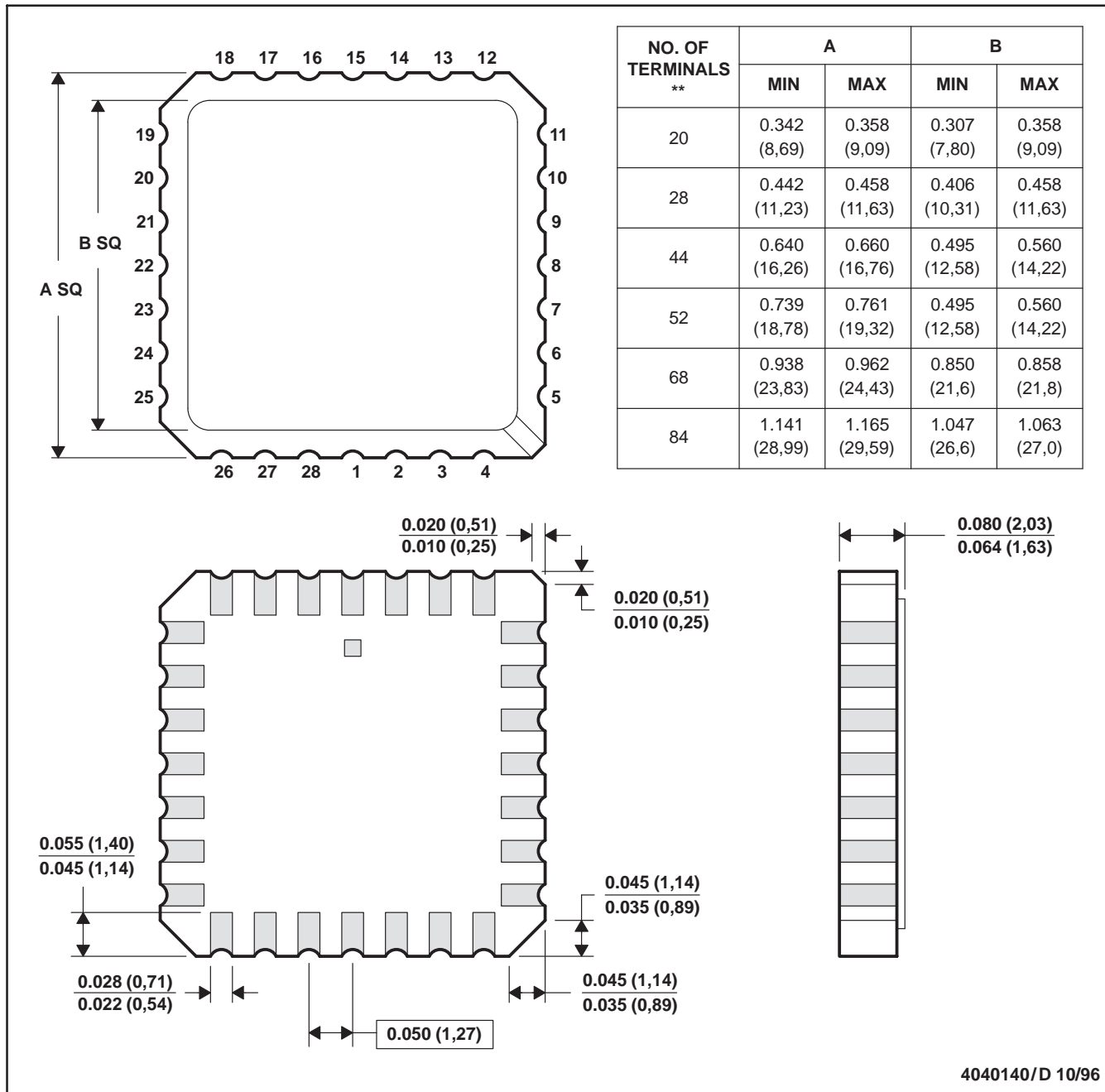


- NOTES: A. All linear dimensions are in millimeters.  
 B. This drawing is subject to change without notice.  
 C. Body dimensions do not include mold flash or protrusion not to exceed 0,15.  
 D. Falls within JEDEC MO-150

FK (S-CQCC-N\*\*)

LEADLESS CERAMIC CHIP CARRIER

28 TERMINAL SHOWN



- NOTES:
- A. All linear dimensions are in inches (millimeters).
  - B. This drawing is subject to change without notice.
  - C. This package can be hermetically sealed with a metal lid.
  - D. The terminals are gold plated.
  - E. Falls within JEDEC MS-004

## MECHANICAL DATA

**NS (R-PDSO-G\*\*)**

**PLASTIC SMALL-OUTLINE PACKAGE**

**14-PINS SHOWN**



- NOTES:
- A. All linear dimensions are in millimeters.
  - B. This drawing is subject to change without notice.
  - C. Body dimensions do not include mold flash or protrusion, not to exceed 0,15.

J (R-GDIP-T\*\*)

14 LEADS SHOWN

CERAMIC DUAL IN-LINE PACKAGE



DIM \ PINS **	14	16	18	20
A	0.300 (7,62) BSC	0.300 (7,62) BSC	0.300 (7,62) BSC	0.300 (7,62) BSC
B MAX	0.785 (19,94)	.840 (21,34)	0.960 (24,38)	1.060 (26,92)
B MIN	—	—	—	—
C MAX	0.300 (7,62)	0.300 (7,62)	0.310 (7,87)	0.300 (7,62)
C MIN	0.245 (6,22)	0.245 (6,22)	0.220 (5,59)	0.245 (6,22)

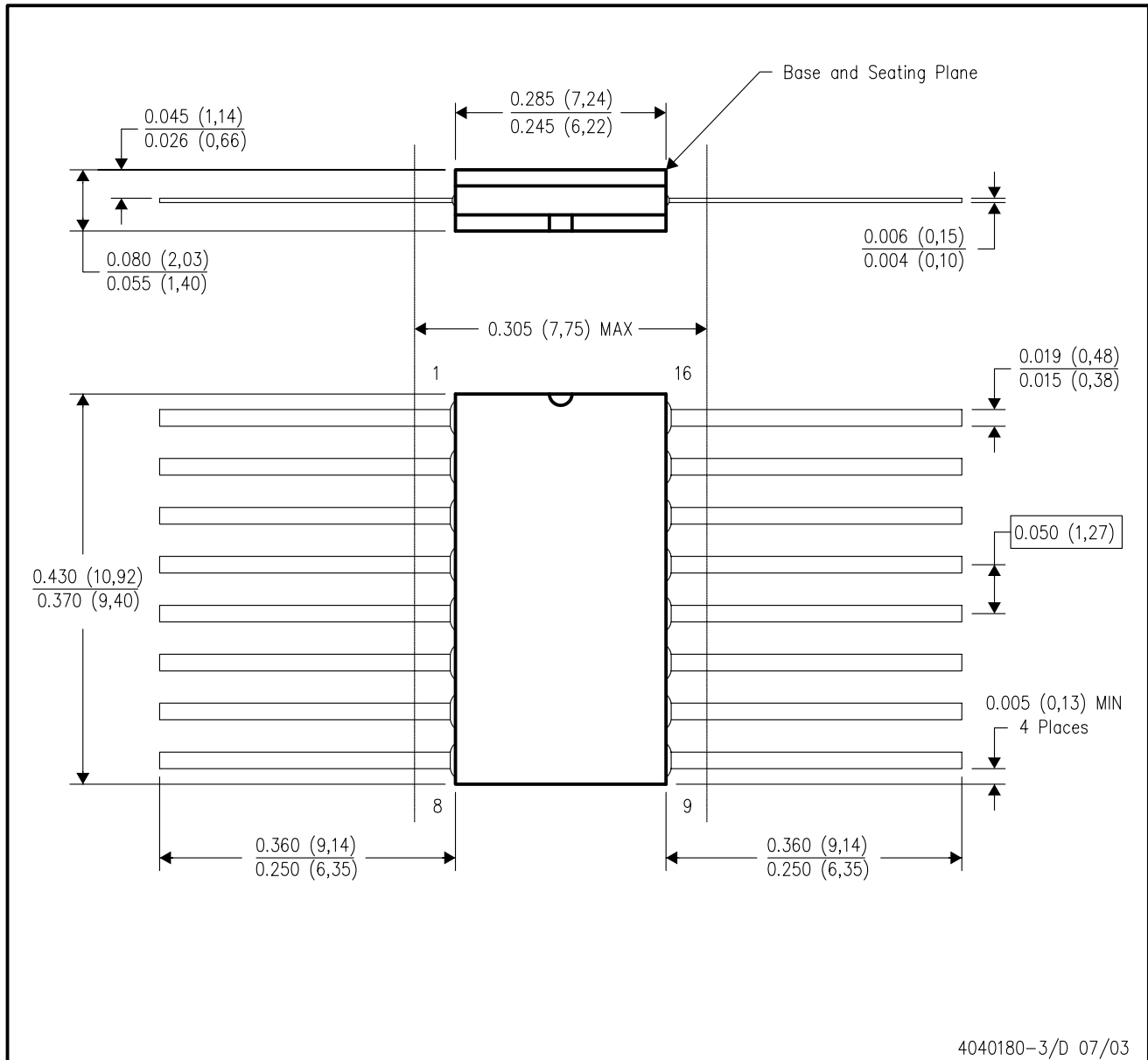


4040083/F 03/03

- NOTES:
- All linear dimensions are in inches (millimeters).
  - This drawing is subject to change without notice.
  - This package is hermetically sealed with a ceramic lid using glass frit.
  - Index point is provided on cap for terminal identification only on press ceramic glass frit seal only.
  - Falls within MIL STD 1835 GDIP1-T14, GDIP1-T16, GDIP1-T18 and GDIP1-T20.

W (R-GDFP-F16)

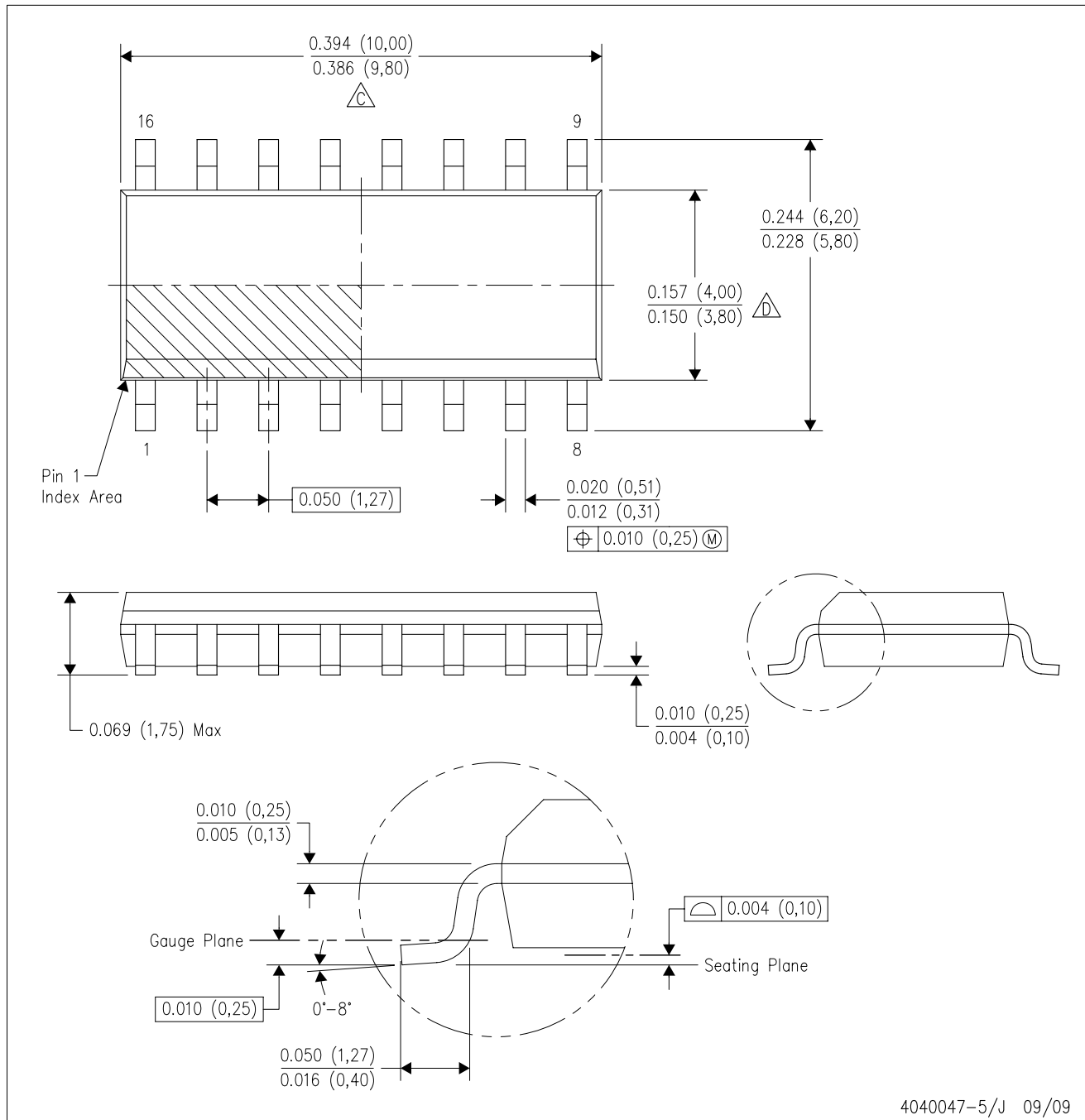
CERAMIC DUAL FLATPACK



- NOTES:
- A. All linear dimensions are in inches (millimeters).
  - B. This drawing is subject to change without notice.
  - C. This package can be hermetically sealed with a ceramic lid using glass frit.
  - D. Index point is provided on cap for terminal identification only.
  - E. Falls within MIL STD 1835 GDFP1-F16 and JEDEC MO-092AC

D (R-PDSO-G16)

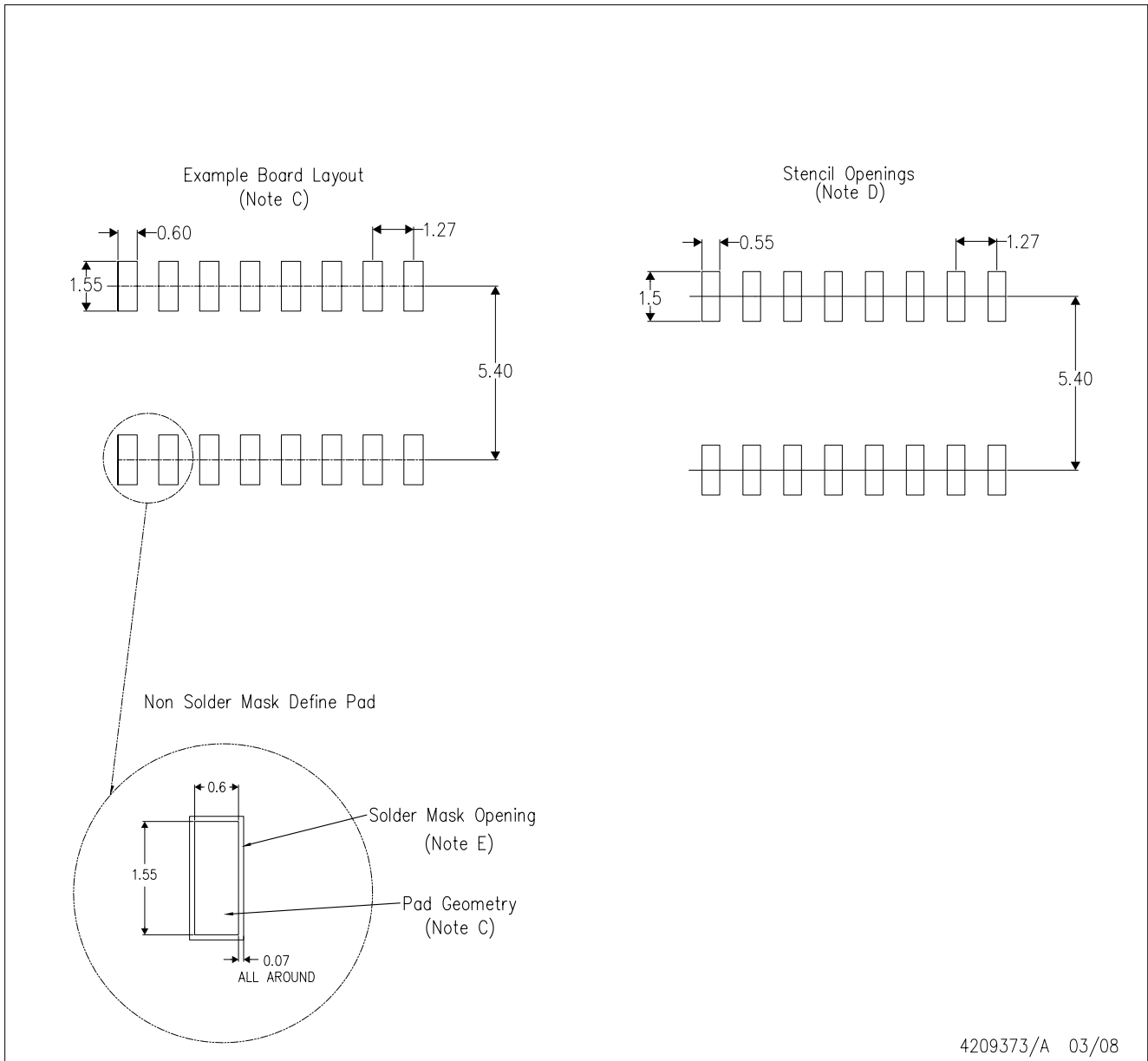
PLASTIC SMALL-OUTLINE PACKAGE



4040047-5/J 09/09

- NOTES:
- A. All linear dimensions are in inches (millimeters).
  - B. This drawing is subject to change without notice.
  - C. Body length does not include mold flash, protrusions, or gate burrs. Mold flash, protrusions, or gate burrs shall not exceed .006 (0,15) per end.
  - D. Body width does not include interlead flash. Interlead flash shall not exceed .017 (0,43) per side.
  - E. Reference JEDEC MS-012 variation AC.

D(R-PDSO-G16)



4209373/A 03/08

- NOTES:
- A. All linear dimensions are in millimeters.
  - B. This drawing is subject to change without notice.
  - C. Refer to IPC7351 for alternate board design.
  - D. Laser cutting apertures with trapezoidal walls and also rounding corners will offer better paste release. Customers should contact their board assembly site for stencil design recommendations. Refer to IPC-7525
  - E. Customers should contact their board fabrication site for solder mask tolerances between and around signal pads.

N (R-PDIP-T\*\*)

PLASTIC DUAL-IN-LINE PACKAGE

16 PINS SHOWN



- NOTES:
- A. All linear dimensions are in inches (millimeters).
  - B. This drawing is subject to change without notice.
  - Falls within JEDEC MS-001, except 18 and 20 pin minimum body length (Dim A).
  - The 20 pin end lead shoulder width is a vendor option, either half or full width.

## IMPORTANT NOTICE

Texas Instruments Incorporated and its subsidiaries (TI) reserve the right to make corrections, modifications, enhancements, improvements, and other changes to its products and services at any time and to discontinue any product or service without notice. Customers should obtain the latest relevant information before placing orders and should verify that such information is current and complete. All products are sold subject to TI's terms and conditions of sale supplied at the time of order acknowledgment.

TI warrants performance of its hardware products to the specifications applicable at the time of sale in accordance with TI's standard warranty. Testing and other quality control techniques are used to the extent TI deems necessary to support this warranty. Except where mandated by government requirements, testing of all parameters of each product is not necessarily performed.

TI assumes no liability for applications assistance or customer product design. Customers are responsible for their products and applications using TI components. To minimize the risks associated with customer products and applications, customers should provide adequate design and operating safeguards.

TI does not warrant or represent that any license, either express or implied, is granted under any TI patent right, copyright, mask work right, or other TI intellectual property right relating to any combination, machine, or process in which TI products or services are used. Information published by TI regarding third-party products or services does not constitute a license from TI to use such products or services or a warranty or endorsement thereof. Use of such information may require a license from a third party under the patents or other intellectual property of the third party, or a license from TI under the patents or other intellectual property of TI.

Reproduction of TI information in TI data books or data sheets is permissible only if reproduction is without alteration and is accompanied by all associated warranties, conditions, limitations, and notices. Reproduction of this information with alteration is an unfair and deceptive business practice. TI is not responsible or liable for such altered documentation. Information of third parties may be subject to additional restrictions.

Resale of TI products or services with statements different from or beyond the parameters stated by TI for that product or service voids all express and any implied warranties for the associated TI product or service and is an unfair and deceptive business practice. TI is not responsible or liable for any such statements.

TI products are not authorized for use in safety-critical applications (such as life support) where a failure of the TI product would reasonably be expected to cause severe personal injury or death, unless officers of the parties have executed an agreement specifically governing such use. Buyers represent that they have all necessary expertise in the safety and regulatory ramifications of their applications, and acknowledge and agree that they are solely responsible for all legal, regulatory and safety-related requirements concerning their products and any use of TI products in such safety-critical applications, notwithstanding any applications-related information or support that may be provided by TI. Further, Buyers must fully indemnify TI and its representatives against any damages arising out of the use of TI products in such safety-critical applications.

TI products are neither designed nor intended for use in military/aerospace applications or environments unless the TI products are specifically designated by TI as military-grade or "enhanced plastic." Only products designated by TI as military-grade meet military specifications. Buyers acknowledge and agree that any such use of TI products which TI has not designated as military-grade is solely at the Buyer's risk, and that they are solely responsible for compliance with all legal and regulatory requirements in connection with such use.

TI products are neither designed nor intended for use in automotive applications or environments unless the specific TI products are designated by TI as compliant with ISO/TS 16949 requirements. Buyers acknowledge and agree that, if they use any non-designated products in automotive applications, TI will not be responsible for any failure to meet such requirements.

Following are URLs where you can obtain information on other Texas Instruments products and application solutions:

### Products

Amplifiers	<a href="http://amplifier.ti.com">amplifier.ti.com</a>
Data Converters	<a href="http://dataconverter.ti.com">dataconverter.ti.com</a>
DLP® Products	<a href="http://www.dlp.com">www.dlp.com</a>
DSP	<a href="http://dsp.ti.com">dsp.ti.com</a>
Clocks and Timers	<a href="http://www.ti.com/clocks">www.ti.com/clocks</a>
Interface	<a href="http://interface.ti.com">interface.ti.com</a>
Logic	<a href="http://logic.ti.com">logic.ti.com</a>
Power Mgmt	<a href="http://power.ti.com">power.ti.com</a>
Microcontrollers	<a href="http://microcontroller.ti.com">microcontroller.ti.com</a>
RFID	<a href="http://www.ti-rfid.com">www.ti-rfid.com</a>
RF/IF and ZigBee® Solutions	<a href="http://www.ti.com/lprf">www.ti.com/lprf</a>

### Applications

Audio	<a href="http://www.ti.com/audio">www.ti.com/audio</a>
Automotive	<a href="http://www.ti.com/automotive">www.ti.com/automotive</a>
Broadband	<a href="http://www.ti.com/broadband">www.ti.com/broadband</a>
Digital Control	<a href="http://www.ti.com/digitalcontrol">www.ti.com/digitalcontrol</a>
Medical	<a href="http://www.ti.com/medical">www.ti.com/medical</a>
Military	<a href="http://www.ti.com/military">www.ti.com/military</a>
Optical Networking	<a href="http://www.ti.com/opticalnetwork">www.ti.com/opticalnetwork</a>
Security	<a href="http://www.ti.com/security">www.ti.com/security</a>
Telephony	<a href="http://www.ti.com/telephony">www.ti.com/telephony</a>
Video & Imaging	<a href="http://www.ti.com/video">www.ti.com/video</a>
Wireless	<a href="http://www.ti.com/wireless">www.ti.com/wireless</a>

Mailing Address: Texas Instruments, Post Office Box 655303, Dallas, Texas 75265  
Copyright © 2009, Texas Instruments Incorporated