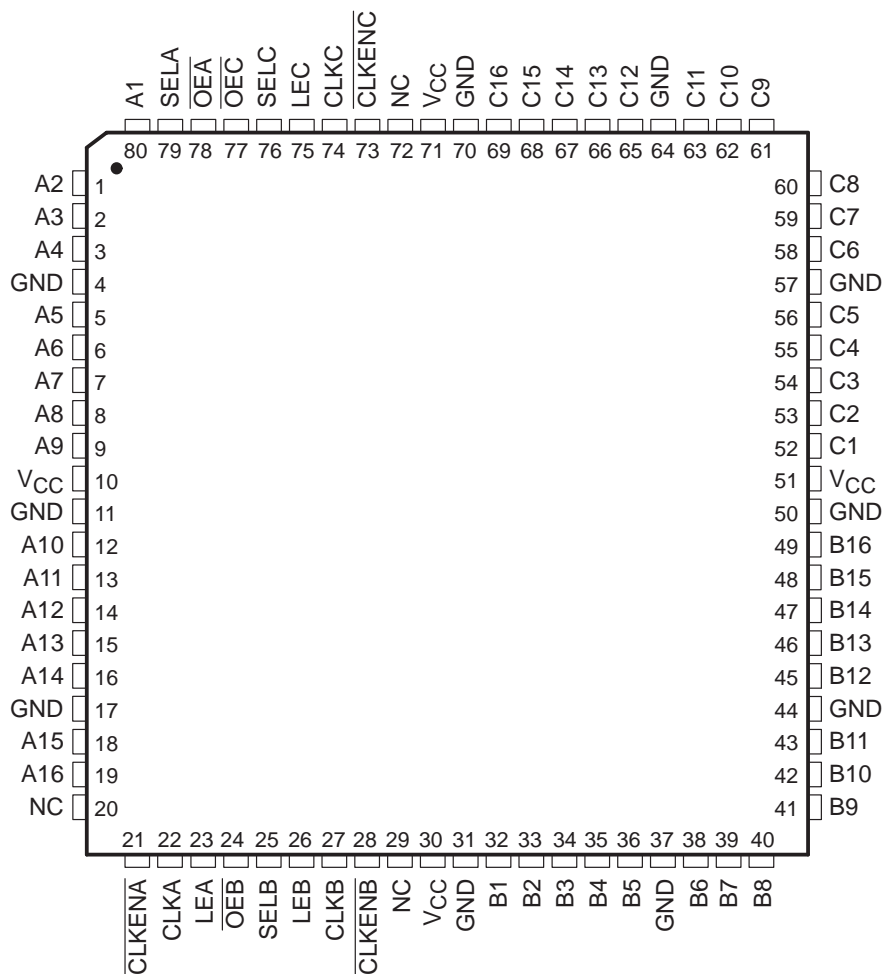


SN54ABTH32316, SN74ABTH32316 16-BIT TRI-PORT UNIVERSAL BUS EXCHANGERS

SCBS179E – JUNE 1992 – REVISED MAY 1997

- Members of the Texas Instruments *Widebus+*™ Family
- State-of-the-Art *EPIC-II B*™ BiCMOS Design Significantly Reduces Power Dissipation
- *UBE*™ (Universal Bus Exchanger) Combines D-Type Latches and D-Type Flip-Flops for Operation in Transparent, Latched, Clocked, or Clock-Enabled Mode
- ESD Protection Exceeds 2000 V Per MIL-STD-883, Method 3015
- Latch-Up Performance Exceeds 500 mA Per JEDEC Standard JESD-17
- Typical V_{OLP} (Output Ground Bounce) < 0.8 V at $V_{CC} = 5$ V, $T_A = 25^\circ\text{C}$
- High-Impedance State During Power Up and Power Down
- Distributed V_{CC} and GND Pin Configuration Minimizes High-Speed Switching Noise
- High-Drive Outputs ($-32\text{-mA } I_{OH}$, $64\text{-mA } I_{OL}$)
- Bus Hold on Data Inputs Eliminates the Need for External Pullup/Pulldown Resistors
- Package Options Include 80-Pin Plastic Thin Quad Flat (PN) Package With $12 \times 12\text{-mm}$ Body Using 0.5-mm Lead Pitch and 84-Pin Ceramic Quad Flat (HT) Package

'ABTH32316 . . . PN PACKAGE
(TOP VIEW)



NC – No internal connection



Please be aware that an important notice concerning availability, standard warranty, and use in critical applications of Texas Instruments semiconductor products and disclaimers thereto appears at the end of this data sheet.

Widebus+, EPIC-II B, and UBE are trademarks of Texas Instruments Incorporated.

PRODUCTION DATA information is current as of publication date. Products conform to specifications per the terms of Texas Instruments standard warranty. Production processing does not necessarily include testing of all parameters.



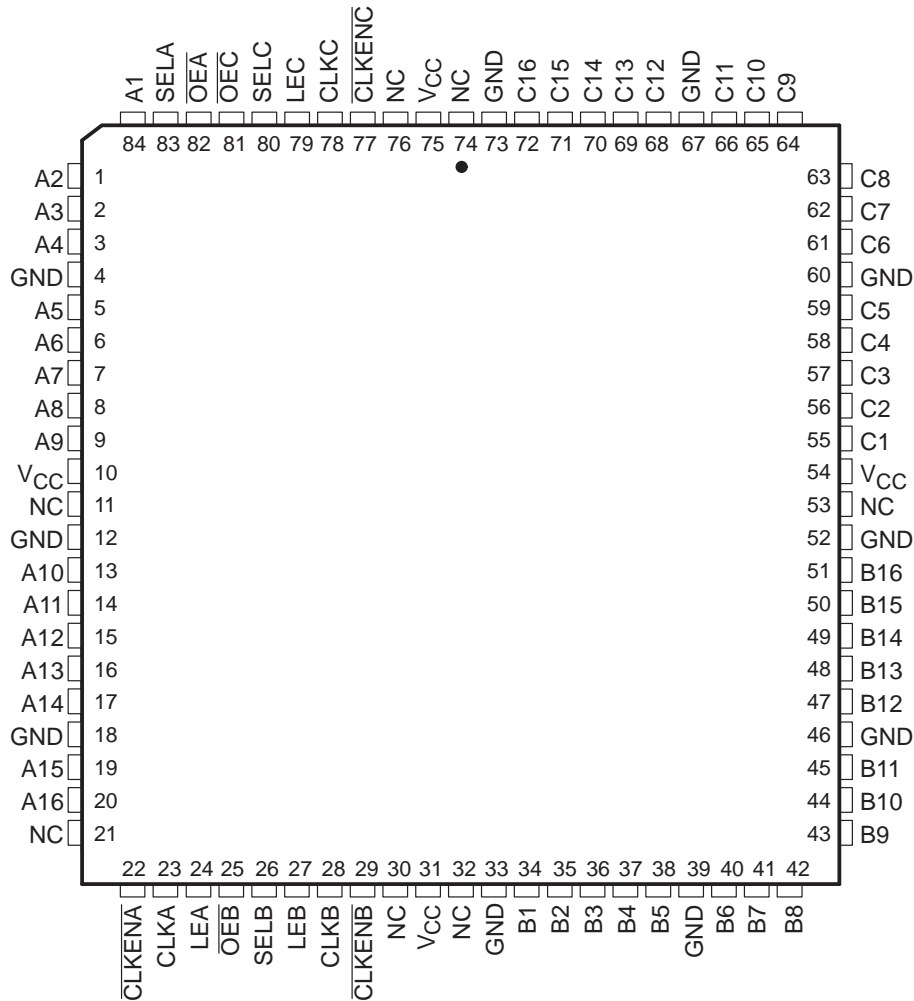
POST OFFICE BOX 655303 • DALLAS, TEXAS 75265

Copyright © 1997, Texas Instruments Incorporated

SN54ABTH32316, SN74ABTH32316 16-BIT TRI-PORT UNIVERSAL BUS EXCHANGERS

SCBS179E – JUNE 1992 – REVISED MAY 1997

SN54ABTH32316 . . . HT PACKAGE
(TOP VIEW)



NC – No internal connection

description

The 'ABTH32316 consist of three 16-bit registered input/output (I/O) ports. These registers combine D-type latches and flip-flops to allow data flow in transparent, latch, and clock modes. Data from one input port can be exchanged to one or more of the other ports. Because of the universal storage element, multiple combinations of real-time and stored data can be exchanged among the three ports.

Data flow in each direction is controlled by the output-enable (\overline{OEA} , \overline{OEB} , and \overline{OEC}), select-control (SELA, SELB, and SELC), latch-enable (LEA, LEB, and LEC), and clock (CLKA, CLKB, and CLKC) inputs. The A data register operates in the transparent mode when LEA is high. When LEA is low, data is latched if CLKA is held at a high or low logic level. If LEA and clock-enable A (\overline{CLKENA}) are low, data is stored on the low-to-high transition of CLKA. Output data selection is accomplished by the select-control pins. All three ports have active-low output enables, so when the output-enable input is low, the outputs are active; when the output-enable input is high, the outputs are in the high-impedance state.

When V_{CC} is between 0 and 2.1 V, the device is in the high-impedance state during power up or power down. However, to ensure the high-impedance state above 2.1 V, \overline{OE} should be tied to V_{CC} through a pullup resistor; the minimum value of the resistor is determined by the current-sinking capability of the driver.



description (continued)

Active bus-hold circuitry is provided to hold unused or floating data inputs at a valid logic level.

The SN54ABTH32316 is characterized for operation over the full military temperature range of -55°C to 125°C .
 The SN74ABTH32316 is characterized for operation from -40°C to 85°C .

Function Tables

STORAGE†

INPUTS				OUTPUT
CLKENA	CLKA	LEA	A	
H	X	L	X	Q_0^{\ddagger}
L	↑	L	L	L
L	↑	L	H	H
X	H	L	X	Q_0^{\ddagger}
X	L	L	X	Q_0^{\ddagger}
X	X	H	L	L
X	X	H	H	H

† A-port register shown. B and C ports are similar but use $\overline{\text{CLKENB}}$, $\overline{\text{CLKENC}}$, CLKB , CLKC , LEB , and LEC .

‡ Output level before the indicated steady-state input conditions were established

A-PORT OUTPUT

INPUTS		OUTPUT A
$\overline{\text{OEA}}$	SELA	
H	X	Z
L	H	Output of C register
L	L	Output of B register

B-PORT OUTPUT

INPUTS		OUTPUT B
$\overline{\text{OEB}}$	SELB	
H	X	Z
L	H	Output of A register
L	L	Output of C register

C-PORT OUTPUT

INPUTS		OUTPUT C
$\overline{\text{OEC}}$	SELC	
H	X	Z
L	H	Output of B register
L	L	Output of A register

SN54ABTH32316, SN74ABTH32316 16-BIT TRI-PORT UNIVERSAL BUS EXCHANGERS

SCBS179E – JUNE 1992 – REVISED MAY 1997

absolute maximum ratings over operating free-air temperature range (unless otherwise noted)†

Supply voltage range, V_{CC}	–0.5 V to 7 V
Input voltage range, V_I (except I/O ports) (see Note 1)	–0.5 V to 7 V
Voltage range applied to any output in the high or power-off state, V_O	–0.5 V to 5.5 V
Current into any output in the low state, I_O : SN54ABTH32316	96 mA
SN74ABTH32316	128 mA
Input clamp current, I_{IK} ($V_I < 0$)	–18 mA
Output clamp current, I_{OK} ($V_O < 0$)	–50 mA
Package thermal impedance, θ_{JA} (see Note 2): PN package	62°C/W
Storage temperature range, T_{stg}	–65°C to 150°C

† Stresses beyond those listed under “absolute maximum ratings” may cause permanent damage to the device. These are stress ratings only, and functional operation of the device at these or any other conditions beyond those indicated under “recommended operating conditions” is not implied. Exposure to absolute-maximum-rated conditions for extended periods may affect device reliability.

- NOTES: 1. The input and output negative-voltage ratings may be exceeded if the input and output clamp-current ratings are observed.
2. The package thermal impedance is calculated in accordance with EIA/JEDEC Std JESD51.

recommended operating conditions (see Note 3)

		SN54ABTH32316		SN74ABTH32316		UNIT
		MIN	MAX	MIN	MAX	
V_{CC}	Supply voltage	4.5	5.5	4.5	5.5	V
V_{IH}	High-level input voltage	2		2		V
V_{IL}	Low-level input voltage		0.8		0.8	V
V_I	Input voltage	0	V_{CC}	0	V_{CC}	V
I_{OH}	High-level output current		–24		–32	mA
I_{OL}	Low-level output current		48		64	mA
$\Delta t/\Delta v$	Input transition rise or fall rate	Outputs enabled		10	10	ns/V
$\Delta t/\Delta V_{CC}$	Power-up ramp rate	200		200		μs/V
T_A	Operating free-air temperature	–55	125	–40	85	°C

NOTE 3: Unused control pins must be held high or low to prevent them from floating.



SN54ABTH32316, SN74ABTH32316 16-BIT TRI-PORT UNIVERSAL BUS EXCHANGERS

SCBS179E – JUNE 1992 – REVISED MAY 1997

electrical characteristics over recommended operating free-air temperature range (unless otherwise noted)

PARAMETER		TEST CONDITIONS	SN54ABTH32316			SN74ABTH32316			UNIT
			MIN	TYP†	MAX	MIN	TYP†	MAX	
V_{IK}		$V_{CC} = 4.5\text{ V}$, $I_I = -18\text{ mA}$			-1.2			-1.2	V
V_{OH}		$V_{CC} = 4.5\text{ V}$, $I_{OH} = -3\text{ mA}$			2.5			2.5	V
		$V_{CC} = 5\text{ V}$, $I_{OH} = -3\text{ mA}$			3			3	
		$V_{CC} = 4.5\text{ V}$			2			2	
V_{OL}		$V_{CC} = 4.5\text{ V}$			0.55				V
								0.55	
V_{hys}					100			100	mV
I_I	Control inputs	$V_{CC} = 0\text{ to }5.5\text{ V}$, $V_I = V_{CC}\text{ or GND}$			± 1			± 1	μA
	A, B, or C ports	$V_{CC} = 2.1\text{ V to }5.5\text{ V}$, $V_I = V_{CC}\text{ or GND}$			± 100			± 20	
$I_I(\text{hold})$	A, B, or C ports	$V_{CC} = 4.5\text{ V}$			100			100	μA
					-100			-100	
I_{OZPU}^\ddagger		$V_{CC} = 0\text{ to }2.1\text{ V}$, $V_O = 0.5\text{ V to }2.7\text{ V}$, $\overline{OE} = X$			± 50			± 50	μA
I_{OZPD}^\ddagger		$V_{CC} = 2.1\text{ V to }0$, $V_O = 0.5\text{ V to }2.7\text{ V}$, $\overline{OE} = X$			± 50			± 50	μA
I_{off}		$V_{CC} = 0$, $V_I\text{ or }V_O \leq 4.5\text{ V}$			± 100			± 100	μA
I_{CEX}		$V_{CC} = 5.5\text{ V}$, $V_O = 5.5\text{ V}$			50			50	μA
I_O^\S		$V_{CC} = 5.5\text{ V}$, $V_O = 2.5\text{ V}$	-50	-100	-180	-50	-100	-180	mA
I_{CC}		$V_{CC} = 5.5\text{ V}$, $I_O = 0$, $V_I = V_{CC}\text{ or GND}$			2			2	mA
				40			40		
				1			1		
ΔI_{CC}^\parallel		$V_{CC} = 5.5\text{ V}$, One input at 3.4 V, Other inputs at V_{CC} or GND			1			0.5	mA
C_i	Control inputs	$V_I = 2.5\text{ V or }0.5\text{ V}$			3			3	pF
C_{io}	A, B, or C ports	$V_O = 2.5\text{ V or }0.5\text{ V}$			11.5			11.5	pF

† All typical values are at $V_{CC} = 5\text{ V}$, $T_A = 25^\circ\text{C}$.

‡ This parameter is specified by characterization.

§ Not more than one output should be tested at a time, and the duration of the test should not exceed one second.

¶ This is the increase in supply current for each input that is at the specified TTL voltage level rather than V_{CC} or GND.

timing requirements over recommended ranges of supply voltage and operating free-air temperature (unless otherwise noted) (see Figure 1)

		SN54ABTH32316		SN74ABTH32316		UNIT
		MIN	MAX	MIN	MAX	
f_{clock}	Clock frequency	0	150	0	150	MHz
t_w	Pulse duration	LE high	3.3	3.3		ns
		CLK high or low	3.3	3.3		
t_{su}	Setup time	A, B, or C before CLK↑	2.6	2.4		ns
		A or B before LE↓	2.5	2.1		
		CLKEN before CLK↑	3.5	3.2		
t_h	Hold time	A, B, or C after CLK↑	1.8	1.4		ns
		A or B after LE↓	2.4	2.1		
		CLKEN after CLK↑	1.5	1.1		



SN54ABTH32316, SN74ABTH32316 16-BIT TRI-PORT UNIVERSAL BUS EXCHANGERS

SCBS179E – JUNE 1992 – REVISED MAY 1997

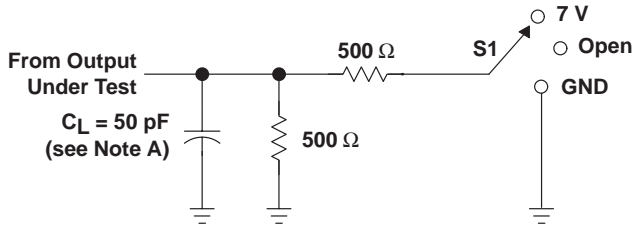
switching characteristics over recommended ranges of supply voltage and operating free-air temperature, $C_L = 50$ pF (unless otherwise noted) (see Figure 1)

PARAMETER	FROM (INPUT)	TO (OUTPUT)	SN54ABTH32316		SN74ABTH32316		UNIT
			MIN	MAX	MIN	MAX	
f_{max}			150		150		MHz
t_{PLH}	A, B, or C	C, B, or A	0.8	6.5	1.4	6.1	ns
t_{PHL}			0.5	6.8	1.1	6.6	
t_{PLH}	SEL	A, B, or C	0.8	6.7	1.4	6.5	ns
t_{PHL}			0.8	6.8	1.8	6.5	
t_{PLH}	LE	A, B, or C	1.5	8	2.6	7.5	ns
t_{PHL}			1.5	7.4	2.6	6.9	
t_{PLH}	CLK	A, B, or C	1.5	8	2.5	7.5	ns
t_{PHL}			1.5	7.2	2.5	6.7	
t_{PZH}	\overline{OE}	A, B, or C	0.8	6.7	1.5	6.4	ns
t_{PZL}			1.5	7.1	2.4	6.8	
t_{PHZ}	\overline{OE}	A, B, or C	0.8	7.2	1.5	6	ns
t_{PLZ}			0.8	6.4	1.9	6.1	

SN54ABTH32316, SN74ABTH32316 16-BIT TRI-PORT UNIVERSAL BUS EXCHANGERS

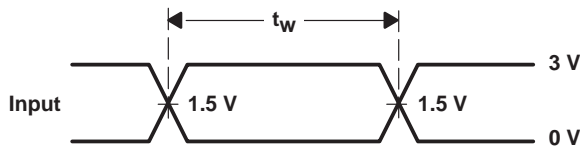
SCBS179E – JUNE 1992 – REVISED MAY 1997

PARAMETER MEASUREMENT INFORMATION

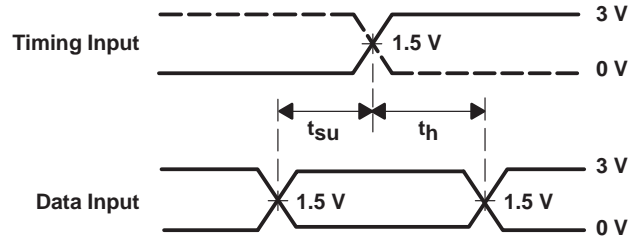


LOAD CIRCUIT

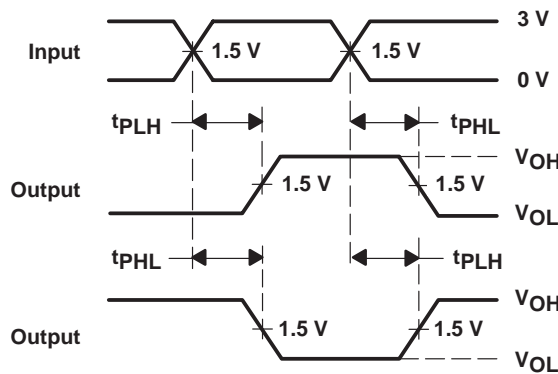
TEST	S1
t_{PLH}/t_{PHL}	Open
t_{PLZ}/t_{PZL}	7 V
t_{PHZ}/t_{PZH}	Open



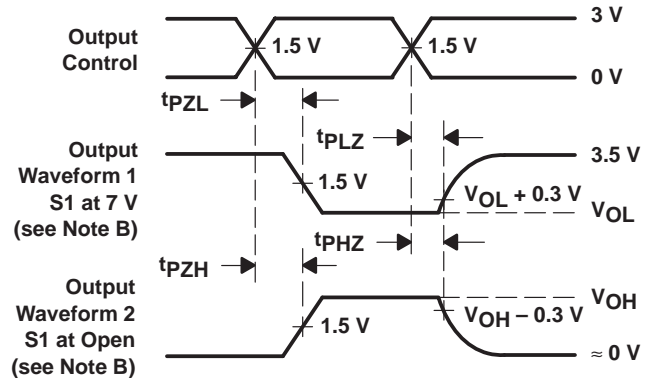
VOLTAGE WAVEFORMS
PULSE DURATION



VOLTAGE WAVEFORMS
SETUP AND HOLD TIMES



VOLTAGE WAVEFORMS
PROPAGATION DELAY TIMES
INVERTING AND NONINVERTING OUTPUTS



VOLTAGE WAVEFORMS
ENABLE AND DISABLE TIMES
LOW- AND HIGH-LEVEL ENABLING

- NOTES: A. C_L includes probe and jig capacitance.
 B. Waveform 1 is for an output with internal conditions such that the output is low except when disabled by the output control. Waveform 2 is for an output with internal conditions such that the output is high except when disabled by the output control.
 C. All input pulses are supplied by generators having the following characteristics: $PRR \leq 10 \text{ MHz}$, $Z_O = 50 \Omega$, $t_r \leq 2.5 \text{ ns}$, $t_f \leq 2.5 \text{ ns}$.
 D. The outputs are measured one at a time with one transition per measurement.

Figure 1. Load Circuit and Voltage Waveforms

PACKAGING INFORMATION

Orderable Device	Status (1)	Package Type	Package Drawing	Pins	Package Qty	Eco Plan (2)	Lead finish/ Ball material (6)	MSL Peak Temp (3)	Op Temp (°C)	Device Marking (4/5)	Samples
5962-9680801QXA	ACTIVE	CFP	HT	84	250	Non-RoHS & Non-Green	SNPB	N / A for Pkg Type	-55 to 125	5962-9680801QX A SNJ54ABTH32316 HT	Samples
SN74ABTH32316PN	ACTIVE	LQFP	PN	80	119	RoHS & Green	NIPDAU	Level-3-260C-168 HR	-40 to 85	ABTH32316	Samples
SNJ54ABTH32316HT	ACTIVE	CFP	HT	84	250	Non-RoHS & Non-Green	SNPB	N / A for Pkg Type	-55 to 125	5962-9680801QX A SNJ54ABTH32316 HT	Samples

(1) The marketing status values are defined as follows:

ACTIVE: Product device recommended for new designs.

LIFEBUY: TI has announced that the device will be discontinued, and a lifetime-buy period is in effect.

NRND: Not recommended for new designs. Device is in production to support existing customers, but TI does not recommend using this part in a new design.

PREVIEW: Device has been announced but is not in production. Samples may or may not be available.

OBSOLETE: TI has discontinued the production of the device.

(2) **RoHS:** TI defines "RoHS" to mean semiconductor products that are compliant with the current EU RoHS requirements for all 10 RoHS substances, including the requirement that RoHS substance do not exceed 0.1% by weight in homogeneous materials. Where designed to be soldered at high temperatures, "RoHS" products are suitable for use in specified lead-free processes. TI may reference these types of products as "Pb-Free".

RoHS Exempt: TI defines "RoHS Exempt" to mean products that contain lead but are compliant with EU RoHS pursuant to a specific EU RoHS exemption.

Green: TI defines "Green" to mean the content of Chlorine (Cl) and Bromine (Br) based flame retardants meet JS709B low halogen requirements of <=1000ppm threshold. Antimony trioxide based flame retardants must also meet the <=1000ppm threshold requirement.

(3) MSL, Peak Temp. - The Moisture Sensitivity Level rating according to the JEDEC industry standard classifications, and peak solder temperature.

(4) There may be additional marking, which relates to the logo, the lot trace code information, or the environmental category on the device.

(5) Multiple Device Markings will be inside parentheses. Only one Device Marking contained in parentheses and separated by a "~" will appear on a device. If a line is indented then it is a continuation of the previous line and the two combined represent the entire Device Marking for that device.

(6) Lead finish/Ball material - Orderable Devices may have multiple material finish options. Finish options are separated by a vertical ruled line. Lead finish/Ball material values may wrap to two lines if the finish value exceeds the maximum column width.

Important Information and Disclaimer: The information provided on this page represents TI's knowledge and belief as of the date that it is provided. TI bases its knowledge and belief on information provided by third parties, and makes no representation or warranty as to the accuracy of such information. Efforts are underway to better integrate information from third parties. TI has taken and continues to take reasonable steps to provide representative and accurate information but may not have conducted destructive testing or chemical analysis on incoming materials and chemicals. TI and TI suppliers consider certain information to be proprietary, and thus CAS numbers and other limited information may not be available for release.

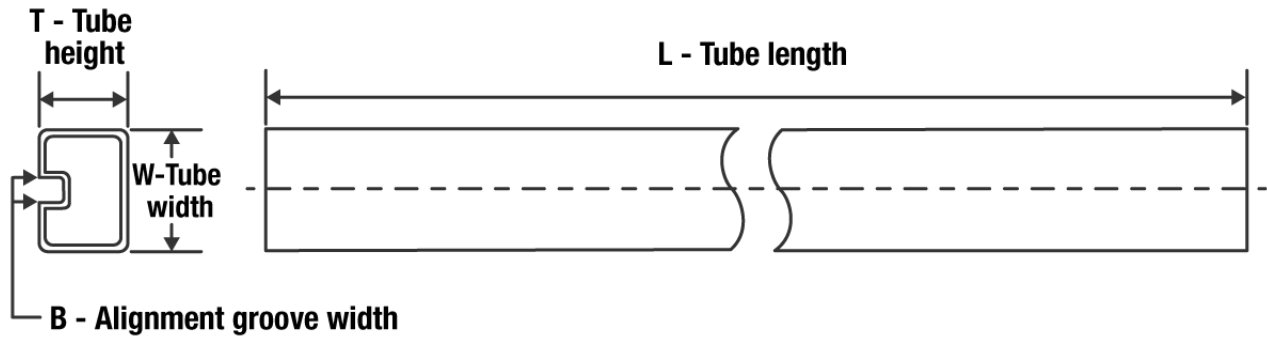
In no event shall TI's liability arising out of such information exceed the total purchase price of the TI part(s) at issue in this document sold by TI to Customer on an annual basis.

OTHER QUALIFIED VERSIONS OF SN54ABTH32316, SN74ABTH32316 :

- Catalog: [SN74ABTH32316](#)
- Military: [SN54ABTH32316](#)

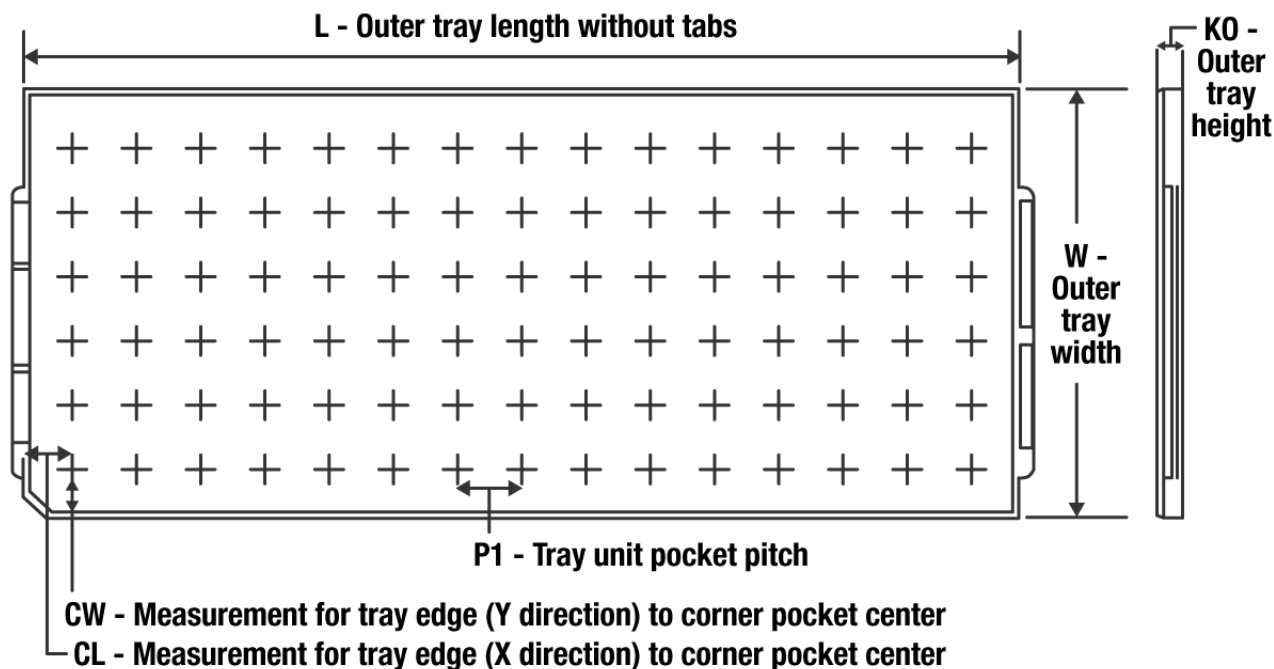
NOTE: Qualified Version Definitions:

- Catalog - TI's standard catalog product
- Military - QML certified for Military and Defense Applications

TUBE


*All dimensions are nominal

Device	Package Name	Package Type	Pins	SPQ	L (mm)	W (mm)	T (μm)	B (mm)
5962-9680801QXA	HT	CFP	84	250	506.98	17.91	12570	5.46
SNJ54ABTH32316HT	HT	CFP	84	250	506.98	17.91	12570	5.46

TRAY


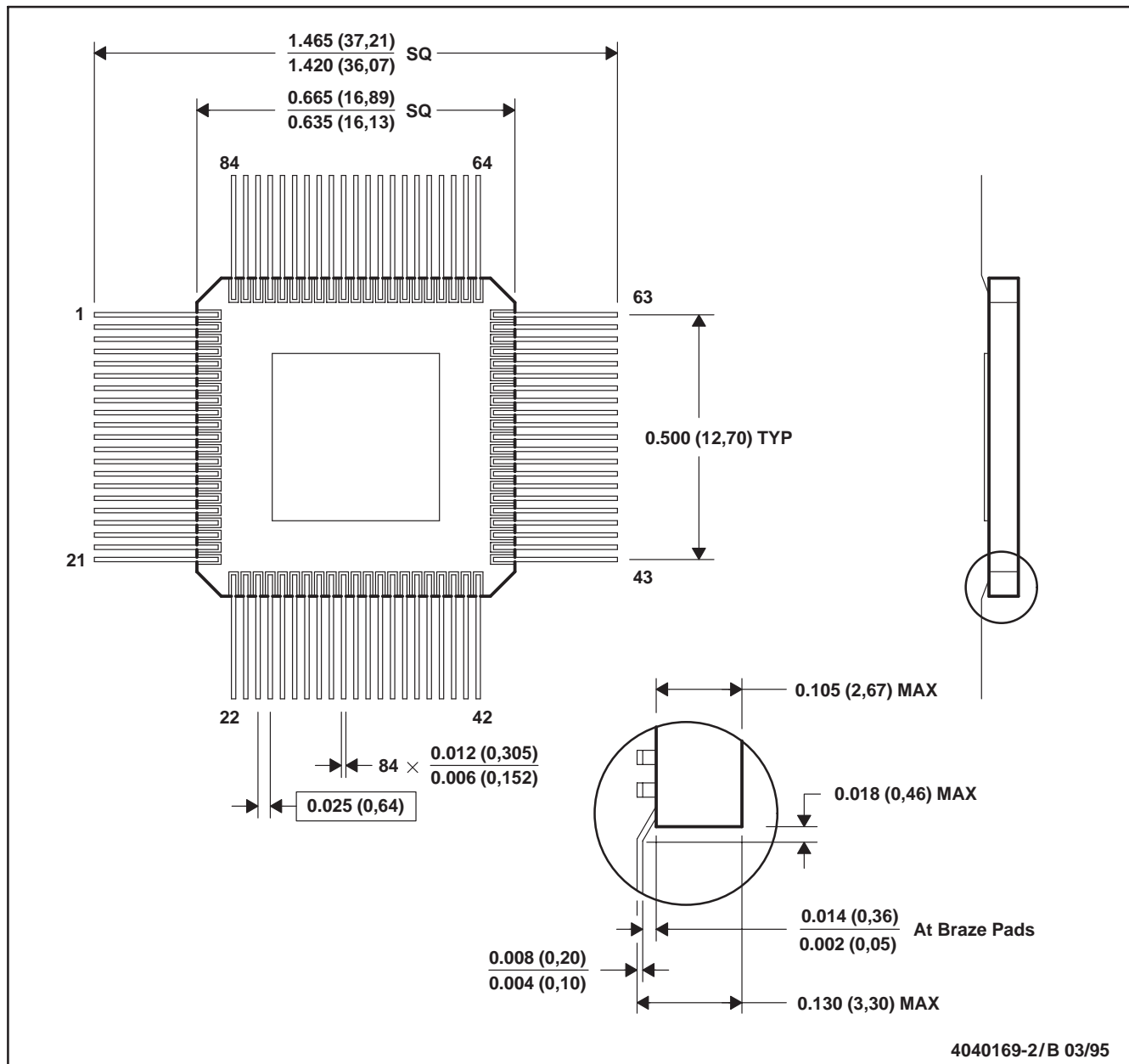
Chamfer on Tray corner indicates Pin 1 orientation of packed units.

*All dimensions are nominal

Device	Package Name	Package Type	Pins	SPQ	Unit array matrix	Max temperature (°C)	L (mm)	W (mm)	K0 (µm)	P1 (mm)	CL (mm)	CW (mm)
SN74ABTH32316PN	PN	LQFP	80	119	7 x 17	150	315	135.9	7620	17.9	14.3	13.95

HT (S-CQFP-F84)

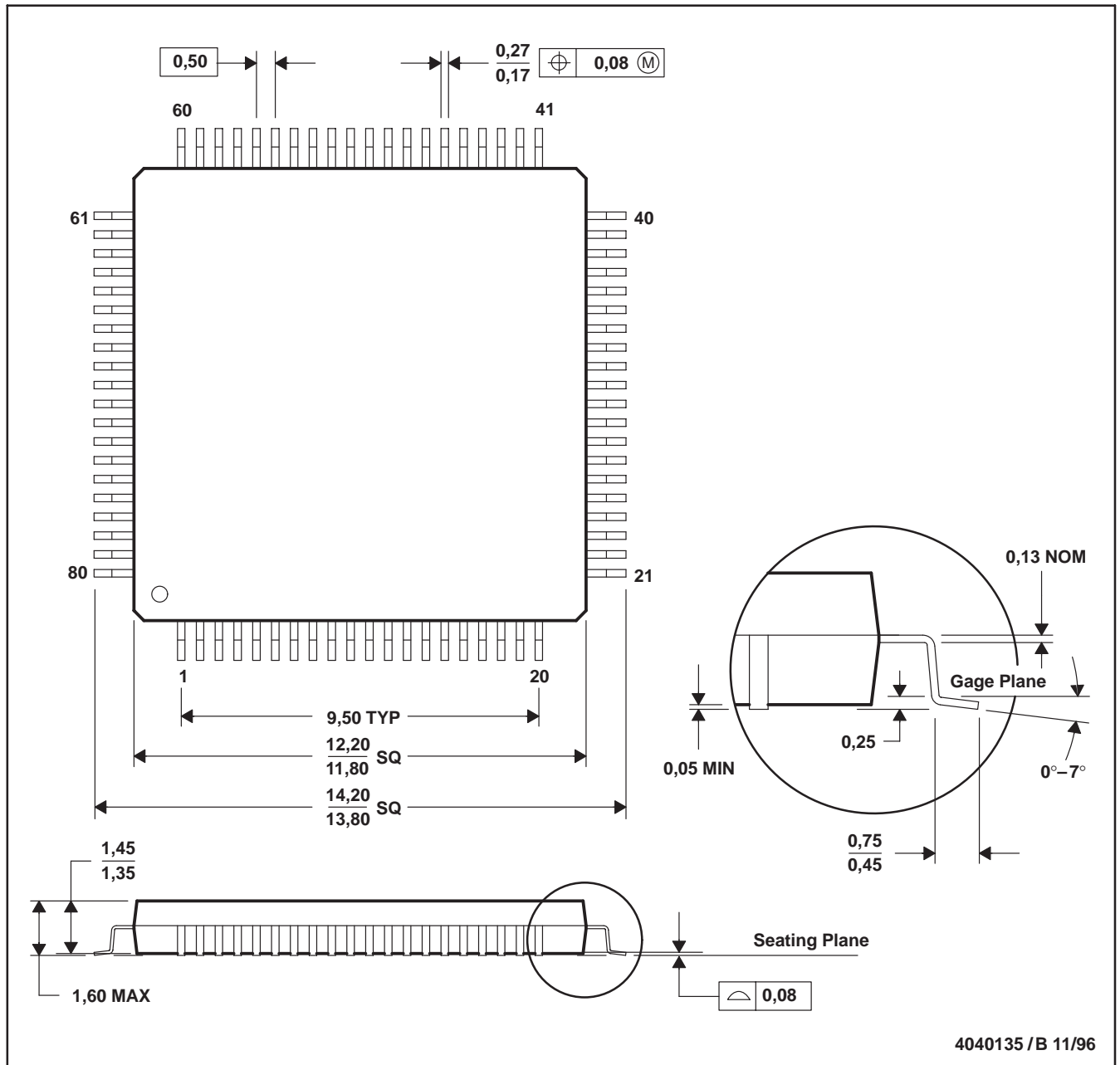
CERAMIC QUAD FLATPACK



- NOTES:
- A. All linear dimensions are in inches (millimeters).
 - B. This drawing is subject to change without notice.
 - C. This package is hermetically sealed with a metal lid.
 - D. The terminals are gold plated.
 - E. Falls within JEDEC MO-090 AA

PN (S-PQFP-G80)

PLASTIC QUAD FLATPACK



- NOTES: A. All linear dimensions are in millimeters.
 B. This drawing is subject to change without notice.
 C. Falls within JEDEC MS-026

IMPORTANT NOTICE AND DISCLAIMER

TI PROVIDES TECHNICAL AND RELIABILITY DATA (INCLUDING DATA SHEETS), DESIGN RESOURCES (INCLUDING REFERENCE DESIGNS), APPLICATION OR OTHER DESIGN ADVICE, WEB TOOLS, SAFETY INFORMATION, AND OTHER RESOURCES "AS IS" AND WITH ALL FAULTS, AND DISCLAIMS ALL WARRANTIES, EXPRESS AND IMPLIED, INCLUDING WITHOUT LIMITATION ANY IMPLIED WARRANTIES OF MERCHANTABILITY, FITNESS FOR A PARTICULAR PURPOSE OR NON-INFRINGEMENT OF THIRD PARTY INTELLECTUAL PROPERTY RIGHTS.

These resources are intended for skilled developers designing with TI products. You are solely responsible for (1) selecting the appropriate TI products for your application, (2) designing, validating and testing your application, and (3) ensuring your application meets applicable standards, and any other safety, security, regulatory or other requirements.

These resources are subject to change without notice. TI grants you permission to use these resources only for development of an application that uses the TI products described in the resource. Other reproduction and display of these resources is prohibited. No license is granted to any other TI intellectual property right or to any third party intellectual property right. TI disclaims responsibility for, and you will fully indemnify TI and its representatives against, any claims, damages, costs, losses, and liabilities arising out of your use of these resources.

TI's products are provided subject to [TI's Terms of Sale](#) or other applicable terms available either on ti.com or provided in conjunction with such TI products. TI's provision of these resources does not expand or otherwise alter TI's applicable warranties or warranty disclaimers for TI products.

TI objects to and rejects any additional or different terms you may have proposed.

Mailing Address: Texas Instruments, Post Office Box 655303, Dallas, Texas 75265
Copyright © 2022, Texas Instruments Incorporated