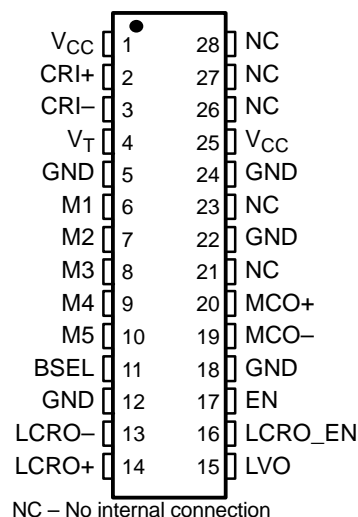


MuxIt™ PLL FREQUENCY MULTIPLIER

FEATURES

- A Member of the MuxIt™ Serializer-Deserializer Building-Block Chip Family
- Pin Selectable Frequency Multiplier Ratios Between 4 and 40
- Input Clock Frequencies From 5 to 50 MHz
- Multiplied Clock Frequencies up to 400 MHz
- Internal Loop Filters and Low PLL-Jitter of 20 ps RMS Typical at 200 MHz
- LVDS Compatible Differential Inputs and Outputs Meet or Exceed the Requirements of ANSI EIA/TIA-644-A
- LVTTTL Compatible Inputs Are 5 V Tolerant
- LVDS Inputs and Outputs ESD Protection Exceeds 12 kV HBM
- Operates From a Single 3.3 V Supply
- Packaged in 28-Pin Thin Shrink Small-Outline Package With 26 mil Terminal Pitch

SN65LVDS150
PW PACKAGE
(Marked as 65LVDS150)



DESCRIPTION

The MuxIt is a family of general-purpose, multiple-chip building blocks for implementing parallel data serializers and deserializers. The system allows for wide parallel data to be transmitted through a reduced number of differential transmission lines over distances greater than can be achieved with a single-ended (e.g., LVTTTL or LVCMOS) data interface. The number of bits multiplexed per transmission line is user selectable, allowing for higher transmission efficiencies than with other existing fixed ratio solutions. MuxIt utilizes the LVDS (TIA/EIA-644) low voltage differential signaling technology for communications between the data source and data destination.

The MuxIt family initially includes three devices supporting simplex communications; *The SN65LVDS150 Phase Locked Loop-Frequency Multiplier*, *The SN65LVDS151 Serializer-Transmitter*, and *The SN65LVDS152 Receiver-Deserializer*.

The SN65LVDS150 is a PLL based frequency multiplier designed for use with the other members of the MuxIt family of serializers and deserializers. The frequency multiplication ratio is pin selectable over a wide range of values from 4 through 40 to accommodate a broad spectrum of user needs. No external filter components are needed. A PLL lock indicator output is available which may be used to enable link data transfers.

The design of the SN65LVDS150 allows it to be used at either the transmit end or the receive end of the MuxIt serial link. The differential clock reference input (CRI) is driven by the system's parallel data clock when at the source end of the link, or by the link clock when at the destination end of the link. The differential clock reference input may be driven by either an LVDS differential signal, or by a single ended clock of either polarity. For single-ended use the nonclocked input is biased to the logic threshold voltage. A $V_{CC}/2$ threshold reference, VT, is provided on a pin adjacent the differential CRI pins for convenience when the input is used in a single-ended mode.



Please be aware that an important notice concerning availability, standard warranty, and use in critical applications of Texas Instruments semiconductor products and disclaimers thereto appears at the end of this data sheet.

MuxIt is a trademark of Texas Instruments.



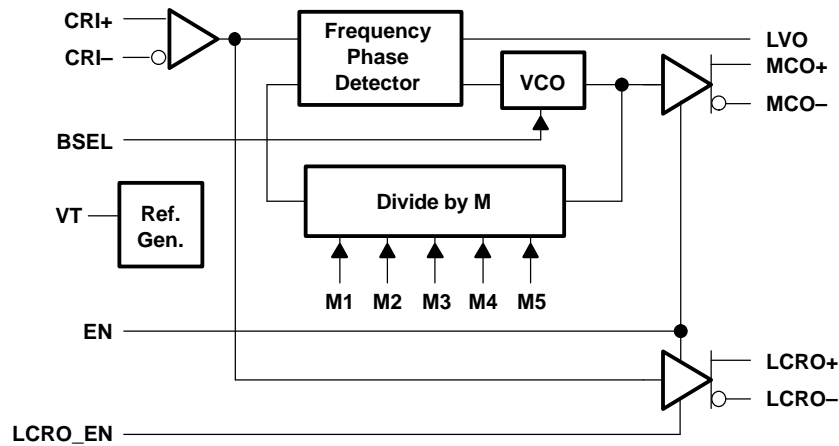
These devices have limited built-in ESD protection. The leads should be shorted together or the device placed in conductive foam during storage or handling to prevent electrostatic damage to the MOS gates.

DESCRIPTION (CONTINUED)

The multiplied clock output (MCO) is an LVDS differential signal used to drive the high-speed shift registers in either the SN65LVDS151 serializer-transmitter or the SN65LVDS152 receiver-deserializer. The link clock reference output (LCRO) is an LVDS differential signal provided to the SN65LVDS151 serializer-transmitter for transmission over the link.

An internal power on reset and an enable input (EN) control the operation of the SN65LVDS150. When V_{CC} is below 1.5 V, or when EN is low, the device is in a low power disabled state and the MCO and LCRO differential outputs are in a high-impedance state. When V_{CC} is above 3 V and EN is high, the device and the two differential outputs are enabled and operating to specifications. The link clock reference output enable input (LCRO_EN) is used to turn off the LCRO output when it is not being used. A band select input (BSEL) is used to optimize the VCO performance as a function of M-clock frequencies and M multiplier that is being used: The f_{max} parameter in the switching characteristic table includes details on the MCO frequency and choices of BSEL and M.

BLOCK DIAGRAM

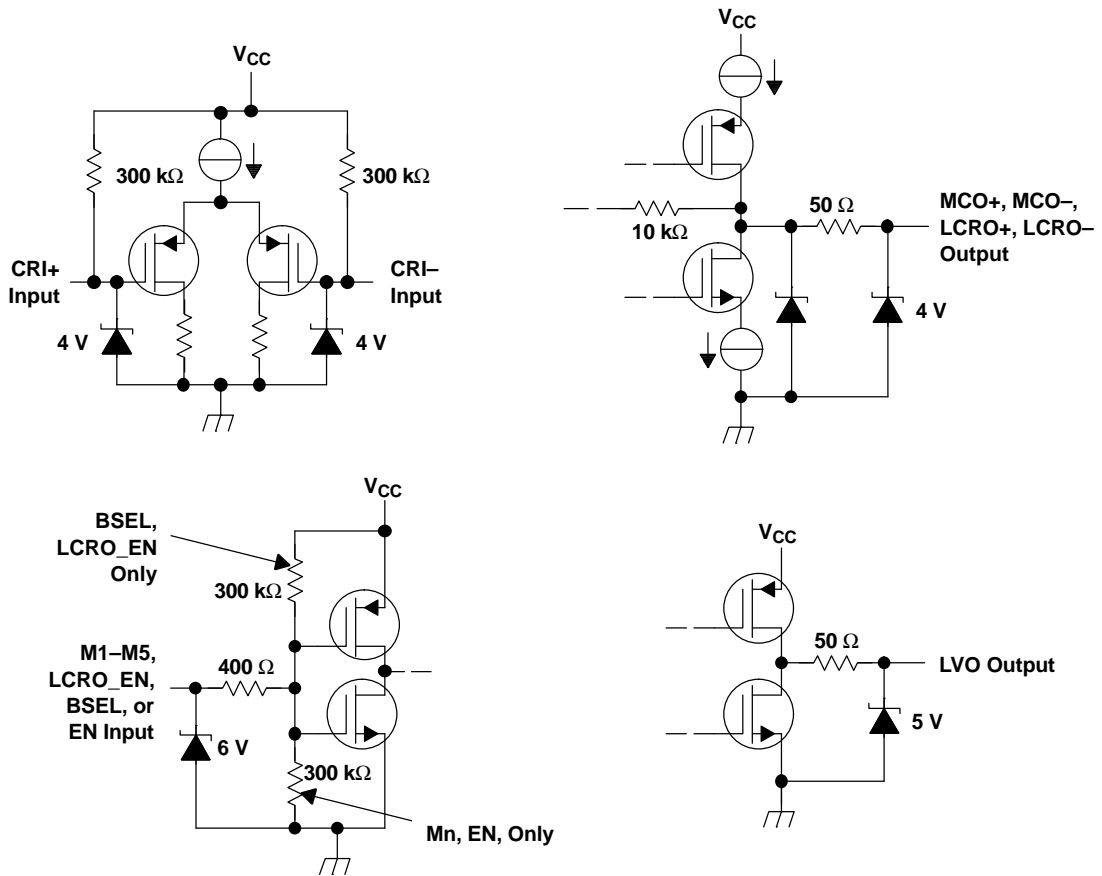


Frequency Multiplier Value Table⁽¹⁾

MULTIPLIER (m)	M1	M2	M3	M4	M5	RECOMMENDED f_{IN} (MHz)	
						BSEL = 0	BSEL = 1
4	L	L	L	L	L	$f_{IN} < 12.50$	$12.50 \leq f_{IN}$
Reserved	L	L	L	L	H	NA	NA
6	L	L	L	H	L	$f_{IN} < 8.33$	$8.33 \leq f_{IN}$
Reserved	L	L	L	H	H	NA	NA
8	L	L	H	L	L	$f_{IN} < 12.50$	$12.50 \leq f_{IN}$
9	L	L	H	L	H	$f_{IN} < 11.11$	$11.11 \leq f_{IN}$
10	L	L	H	H	L	$f_{IN} < 10.00$	$10.00 \leq f_{IN}$
Reserved	L	L	H	H	H	NA	NA
12	L	H	L	L	L	$f_{IN} < 8.3$	$8.3 \leq f_{IN}$
13	L	H	L	L	H	$f_{IN} < 7.7$	$7.7 \leq f_{IN}$
14	L	H	L	H	L	$f_{IN} < 7.14$	$7.14 \leq f_{IN}$
15	L	H	L	H	H	$f_{IN} < 6.67$	$6.67 \leq f_{IN}$
16	L	H	H	L	L	$f_{IN} < 6.25$	$6.25 \leq f_{IN}$
17	L	H	H	L	H	$f_{IN} < 5.88$	$5.88 \leq f_{IN}$
18	L	H	H	H	L	$f_{IN} < 5.56$	$5.56 \leq f_{IN}$
19	L	H	H	H	H	$f_{IN} < 5.26$	$5.26 \leq f_{IN}$
20	H	L	L	L	L	$f_{IN} = 5.00$	$5.00 \leq f_{IN}$
22	H	L	L	L	H	NA	$5.00 \leq f_{IN}$
24	H	L	L	H	L	NA	$5.00 \leq f_{IN}$
26	H	L	L	H	H	NA	$5.00 \leq f_{IN}$
28	H	L	H	L	L	NA	$5.00 \leq f_{IN}$
30	H	L	H	L	H	NA	$5.00 \leq f_{IN}$
32	H	L	H	H	L	NA	$5.00 \leq f_{IN}$
34	H	L	H	H	H	NA	$5.00 \leq f_{IN}$
36	H	H	L	L	L	NA	$5.00 \leq f_{IN}$
38	H	H	L	L	H	NA	$5.00 \leq f_{IN}$
40	H	H	L	H	L	NA	$5.00 \leq f_{IN}$
Reserved	H	H	L	H	H	NA	NA
Reserved	H	H	H	L	L	NA	NA
Reserved	H	H	H	L	H	NA	NA
Reserved	H	H	H	H	L	NA	NA
Reserved	H	H	H	H	H	NA	NA

(1) H = high level, L = low level

EQUIVALENT INPUT AND OUTPUT SCHEMATIC DIAGRAMS



Terminal Functions

TERMINAL NAME	NO.	I/O	TYPE	DESCRIPTION
BSEL	11	I	LVTTTL	Band select. Used to optimize VCO performance for minimum M-clock jitter: See recommended f_{max} in the frequency multiplier value table.
CRI+, CRI–	2, 3	I	LVDS	Clock reference input. This is the reference clock signal for the PLL frequency multiplier.
EN	17	I	LVTTTL	Enable input. Used to disable the device to a low power state. A high level input enables the device, a low level input disables the device.
GND	5, 12, 18, 22, 24	I	NA	Circuit ground
LCRO–, LCRO+	13, 14	O	LVDS	Link clock reference output. This is the data block synchronization clock signal from the PLL frequency multiplier.
LCRO_EN	16	I	LVTTTL	LCRO enable. Used to turn off the LCRO outputs when they are not used. A high level input enables the LCRO output; a low level input disables the LCRO output.
LVO	15	O	LVTTTL	Lock/valid output. This is signal required for proper Muxlt system operation. It is to be directly connected to the LVI inputs of SN65LVDS151 or SN65LVDS152 devices. It is used to inhibit the operation of those devices until after the PLL has stabilized. It remains at a low level following a reset until the PLL has become phase locked. A low to high-level transition indicates phase lock has occurred.
M1–M5	6–10	I	LVTTTL	Multiplier value selection inputs. These inputs determine the frequency multiplication ratio M.
MCO–, MCO+	19, 20	O	LVDS	M-clock output. This is the high frequency multiplied clock output from the PLL frequency multiplier. It is used by the companion serializer or deserializer devices to synchronizes the transmission or reception of data
NC	21, 23, 26–28		NA	These pins are not connected and may be left open.
V _{CC}	1, 25		NA	Supply voltage
V _T	4		NA	Voltage reference. A V _{CC} /2 reference supplied for the unused CRI input when operated in a single-ended mode.

ABSOLUTE MAXIMUM RATINGS

over operating free-air temperature range (unless otherwise noted)⁽¹⁾

	UNIT
V _{CC} Supply voltage range ⁽²⁾	–0.5 V to 4 V
Voltage range	EN, BSEL, LCRO_EN, or M1-M5 inputs
	CRI input
	LCRO±, MCO± outputs
Electrostatic discharge	Human body model (CRI±, LCRO±, MCO±, and GND) ⁽³⁾
	All pins
	Charged-device model (all pins) ⁽⁴⁾
Continuous total power dissipation	See Dissipation Rating Table
T _{stg} Storage temperature range	–65°C to 150°C
Lead temperature 1,6 mm (1/16 inch) from case for 10 seconds	260°C

- (1) Stresses beyond those listed under *absolute maximum ratings* may cause permanent damage to the device. These are stress ratings only, and functional operation of the device at these or any other conditions beyond those indicated under *recommended operating conditions* is not implied. Exposure to absolute-maximum-rated conditions for extended periods may affect device reliability.
- (2) All voltages, except differential I/O bus voltages, are with respect to the network ground terminal.
- (3) Tested in accordance with JEDEC Standard 22, Test method A114-B.
- (4) Tested in accordance with JEDEC Standard 22, Test method C101.

DISSIPATION RATING TABLE

PACKAGE	$T_A \leq 25^\circ\text{C}$ POWER RATING	DERATING FACTOR ⁽¹⁾ ABOVE $T_A = 25^\circ\text{C}$	$T_A = 85^\circ\text{C}$ POWER RATING
PW	1207 mW	9.6 mW/°C	628 mW

(1) This is the inverse of the junction-to-ambient thermal resistance when board-mounted and with no air flow.

RECOMMENDED OPERATING CONDITIONS

		MIN	NOM	MAX	UNIT	
V_{CC}	Supply voltage	3	3.3	3.6	V	
V_{IH}	High-level input voltage	EN, BSEL, LCRO_EN, M1–M5		2	V	
V_{IL}	Low-level input voltage			0.8	V	
$ V_{ID} $	Magnitude of differential input voltage	CRI		0.1	0.6	V
V_{IC}	Common-mode input voltage	CRI		$\frac{ V_{ID} }{2}$	$2.4 - \frac{ V_{ID} }{2}$	V
				$V_{CC} - 0.8$		
T_A	Operating free-air temperature	40		85	°C	

TIMING REQUIREMENTS

		MIN	TYP	MAX	UNIT
$t_{c(1)}$	Input clock cycle time	20		200	ns
$t_{w(1)}$	High-level input clock pulse width duration	0.4 $t_{c(1)}$		0.6 $t_{c(1)}$	
$f_{(\text{clock})}$	Input clock frequency, CRI	5		50	MHz

ELECTRICAL CHARACTERISTICS

over recommended operating conditions (unless otherwise noted)

PARAMETER		TEST CONDITIONS	MIN	TYP ⁽¹⁾	MAX	UNIT	
V _{IT+}	Positive-going differential input threshold voltage	See Figure 1 and Table 1			100	mV	
V _{IT-}	Negative-going differential input threshold voltage		-100			mV	
V _{OD(SS)}	Steady-state differential output voltage magnitude	R _L = 100 Ω, See Figure 3	247	340	454	mV	
Δ V _{OD(SS)}	Change in steady-state differential output voltage magnitude between logic states	V _{ID} = ±100 mV, See Figure 2 and Figure 3	-50		50	mV	
V _{OC(SS)}	Steady-state common-mode output voltage	See Figure 4	1.125		1.375	V	
ΔV _{OC(SS)}	Change in steady-state common-mode output voltage between logic states		-50		50	mV	
V _{OC(PP)}	Peak-to-peak change common-mode output voltage		50		150	mV	
V _{OH}	High-level output voltage (LVO)	I _{OH} = -8 mA	2.4			V	
V _{OL}	Low-level output voltage (LVO)	I _{OL} = 8 mA			0.4	V	
V _(T)	Threshold reference bias voltage	-100 μA ≤ I _O ≤ 100 μA	$\frac{V_{CC}}{2} - 0.15$	$\frac{V_{CC}}{2} + 0.15$		V	
I _{CC}	Supply current	Enabled, R _L = 100 Ω, CRI ± open		25	70	mA	
		Disabled		2.5	6		
I _I	Input current (CRI inputs)	V _I = 0	-20		-2	μA	
		V _I = 2.4 V	-1.2				
I _(ID)	Differential input current (I _{IA} - I _{IB}) (CRI inputs)	V _{IC} = 0.05 V or 2.35 V, V _{ID} = ±0.1 V	-2		2	μA	
I _(OFF)	Power-off input current (CRI inputs)	V _{CC} = 0 V, V _I = 3.6 V			20	μA	
I _{IH}	High-level input current	M1-M5, EN			20	μA	
		BSEL, LCRO_EN	V _{IH} = 2 V		-10		
I _{IL}	Low-level input current	M1-M5, EN			10	μA	
		BSEL, LCRO_EN	V _{IL} = 0.8 V		-20		
I _{OS}	Short-circuit output current	MCO, LCRO	V _{O+} or V _{O-} = 0 V		-10	mA	
			V _{OD} = 0 V		-10		10
I _{OZ}	High-impedance output current	MCO, LCRO	V _O = 0 V or V _{CC}		-5	5	μA
I _{O(OFF)}	Power-off output current		V _{CC} = 1.5 V, V _O = 3.6 V		-5	5	μA
C _I	Input capacitance (CRI inputs)		V _{ID} = [(0.4sin(4E6πt) = 0.5] V		3		pF

 (1) All typical values are at T_A = 25°C and with V_{CC} = 3.3 V.

SWITCHING CHARACTERISTICS

over recommended operating conditions (unless otherwise noted)

PARAMETER		TEST CONDITIONS	MIN	TYP ⁽¹⁾	MAX	UNIT
MCO output clock period jitter ⁽²⁾	p-p	EN = 1, BSEL = 1, LCRO_EN = 1, M = 40, f _i = 5 MHz	200			ps
	rms		20			
t _(lock)	Lock (stabilization time) ⁽³⁾		0.2	1		ms
t _{w(2)}	Multiplied clock output pulse width		0.4t _{c(2)}		0.6t _{c(2)}	
t _r	Differential output signal rise time (MCO, LCRO)	R _L = 100 Ω, C _L = 10 pF, See Figure 5	0.3	0.6	1.5	ns
t _f	Differential output signal fall time (MCO, LCRO)		0.3	0.6	1.5	
t _(OS)	CRI↑ to MCO↑ offset time	f _i = 5 MHz, M = 4	-2.5	0	2.5	ns
		f _i = 10 MHz, M = 10	-1.5	0	1.5	
		f _i = 5 MHz, M = 40	-1.65	0	1.65	
t _d	MCO↑ before LCRO↑, time delay	f _i = 5 MHz, M = 4	0.5	2.5	6	ns
		f _i = 10 MHz, M = 10	0.5	2.5	6	
		f _i = 5 MHz, M = 40	0.5	2.5	4.5	
f _{max}	Maximum MCO output frequency	BSEL = 1, M = 4, 6	200			MHz
		BSEL = 1, M ≠ 4, 6	400			
		BSEL = 0, M = 4, 6	50			
		BSEL = 0, M ≠ 4, 6	100			

(1) All typical values are at T_A = 25°C and with V_{CC} = 3.3 V.

(2) Output clock jitter is the change in the output clock period from one cycle to the next cycle observed over 10,000 cycles with a source having less than 10 psec jitter rms.

(3) Lock time is measured from the application of the clock reference input signal to the assertion of a high-level lock/valid output.

PARAMETER MEASUREMENT INFORMATION

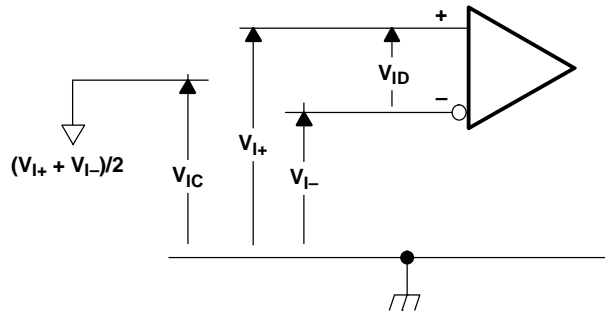


Figure 1. Receiver Input Voltage Definitions

Table 1. Receiver Minimum and Maximum Input Threshold Test Voltages

APPLIED VOLTAGES		RESULTING DIFFERENTIAL INPUT VOLTAGE	RESULTING COMMON-MODE INPUT VOLTAGE
$V_{(IA)}$	$V_{(IB)}$	V_{ID}	V_{IC}
1.25 V	1.15 V	100 mV	1.2 V
1.15 V	1.25 V	-100 mV	1.2 V
2.4 V	2.3 V	100 mV	2.35 V
2.3 V	2.4 V	-100 mV	2.35 V
0.1 V	0 V	100 mV	0.05 V
0 V	0.1 V	-100 mV	0.05 V
1.5 V	0.9 V	600 mV	1.2 V
0.9 V	1.5 V	-600 mV	1.2 V
2.4 V	1.8 V	600 mV	2.1 V
1.8 V	2.4 V	-600 mV	2.1 V
0.6 V	0 V	600 mV	0.3 V
0 V	0.6 V	-600 mV	0.3 V

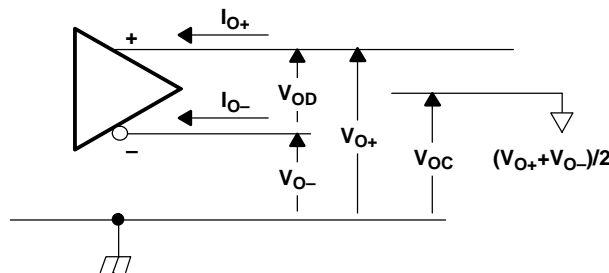


Figure 2. Driver Output Voltage and Current Definitions

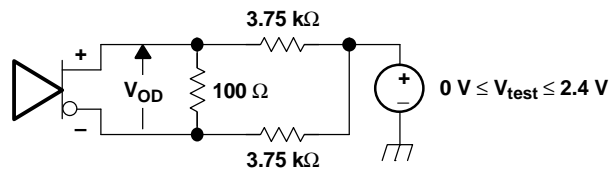
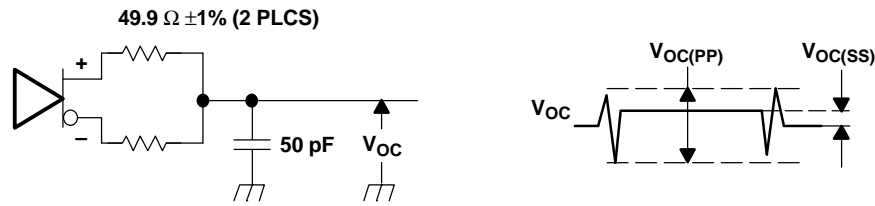
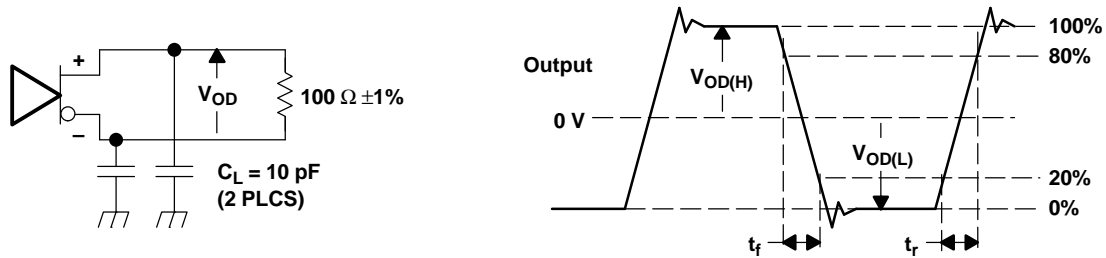


Figure 3. V_{OD} Test Circuit



- A. All input pulses are supplied by a generator having the following characteristics: t_r or $t_f \leq 1$ ns, pulse repetition rate (PRR) = 0.5 Mpps, Pulse width = 500 ± 10 ns. C_L includes instrumentation and fixture capacitance within 0,06 m of the D.U.T. The measurement of $V_{OC(PP)}$ is made on test equipment with a -3 dB bandwidth of at least 5 GHz.

Figure 4. Test Circuit and Definitions for the Driver Common-Mode Output Voltage



- A. All input pulses are supplied by a generator having the following characteristics: t_r or $t_f \leq 1$ ns, pulse repetition rate (PRR) = 50 Mpps, Pulse width = 10 ± 0.2 ns. C_L includes instrumentation and fixture capacitance within 0,06 m of the D.U.T.

Figure 5. Test Circuit, Timing, and Voltage Definitions for the Differential Output Signal

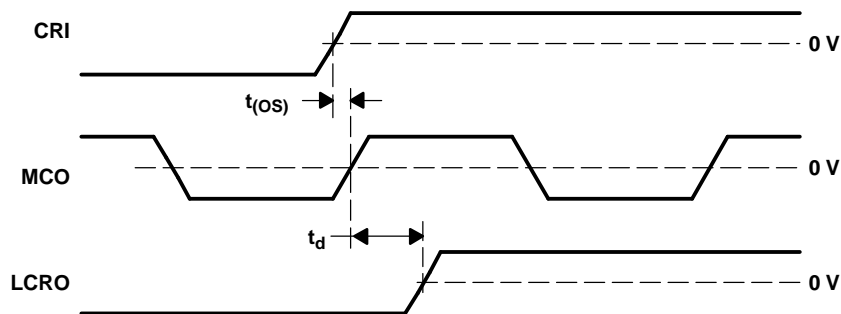


Figure 6. Output Timing Waveform Definitions

TYPICAL CHARACTERISTICS

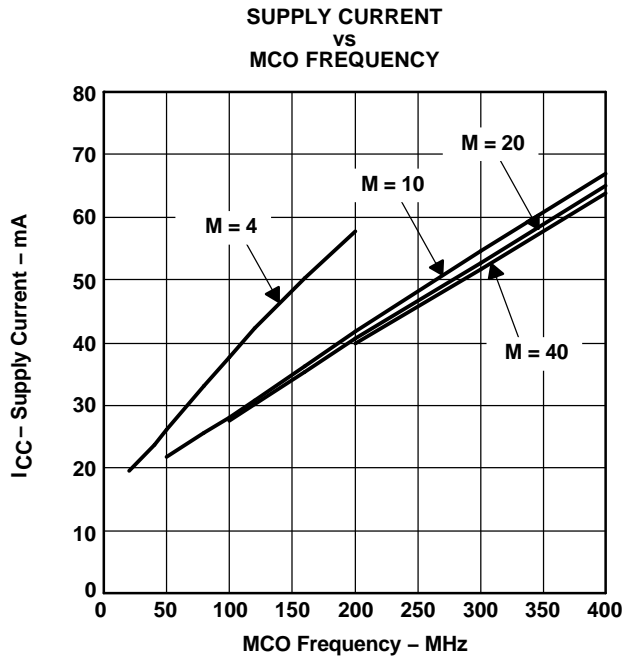


Figure 7.

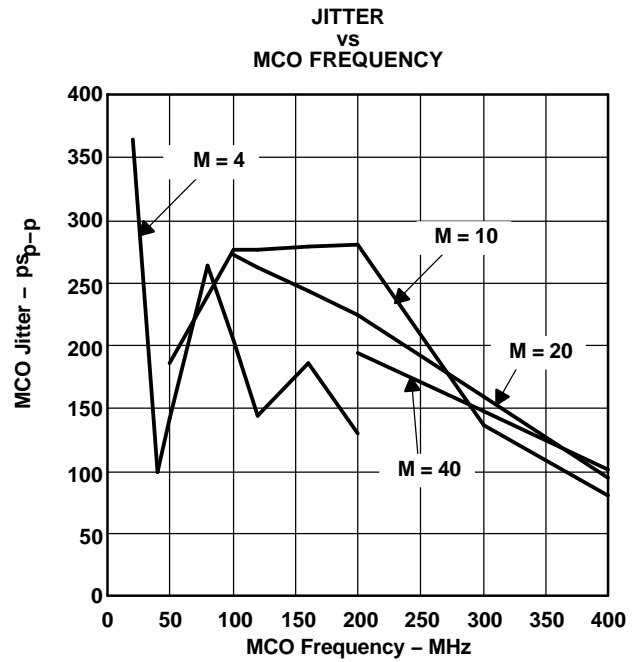
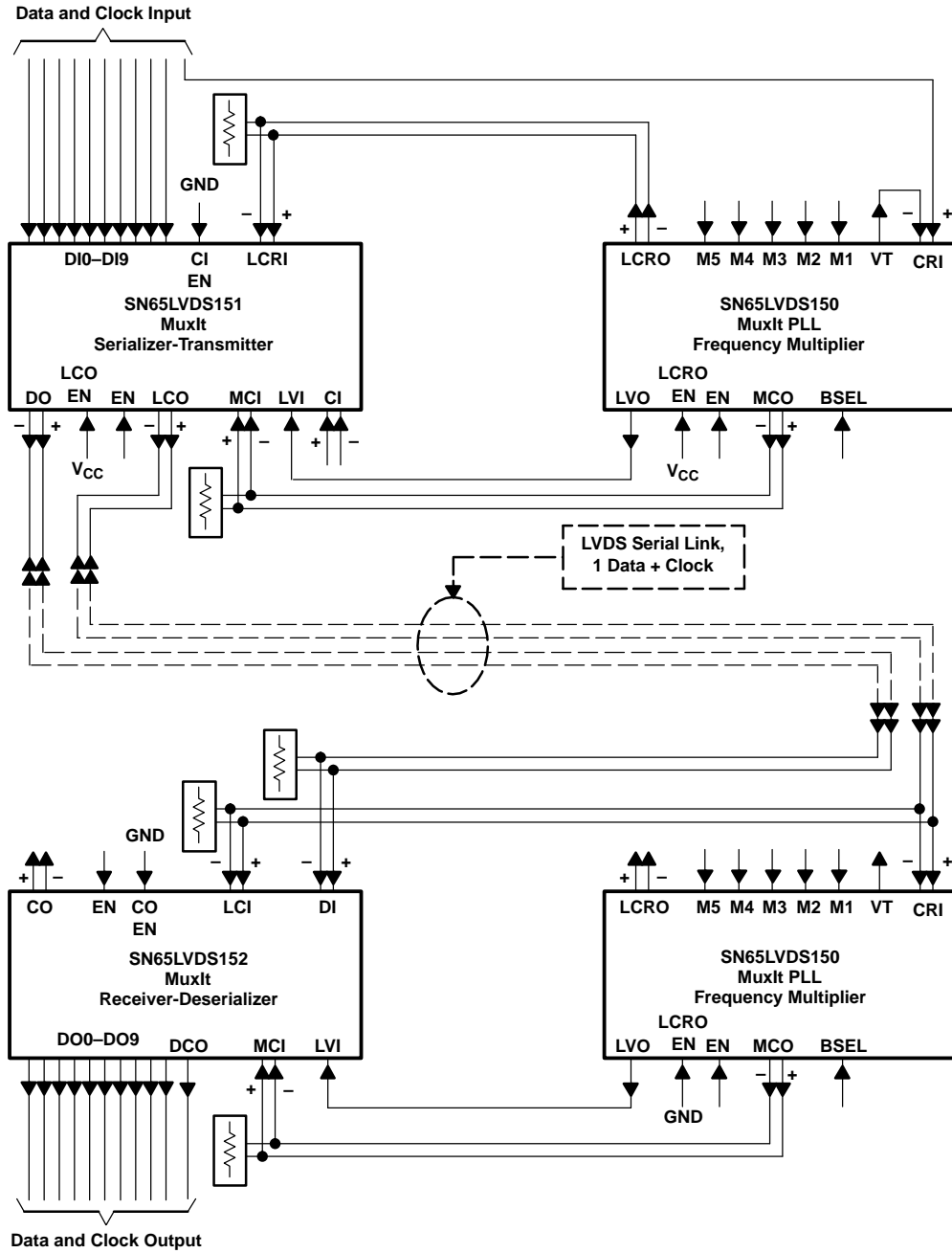


Figure 8.

TYPICAL CHARACTERISTICS (continued)

BASIC APPLICATIONS EXAMPLES

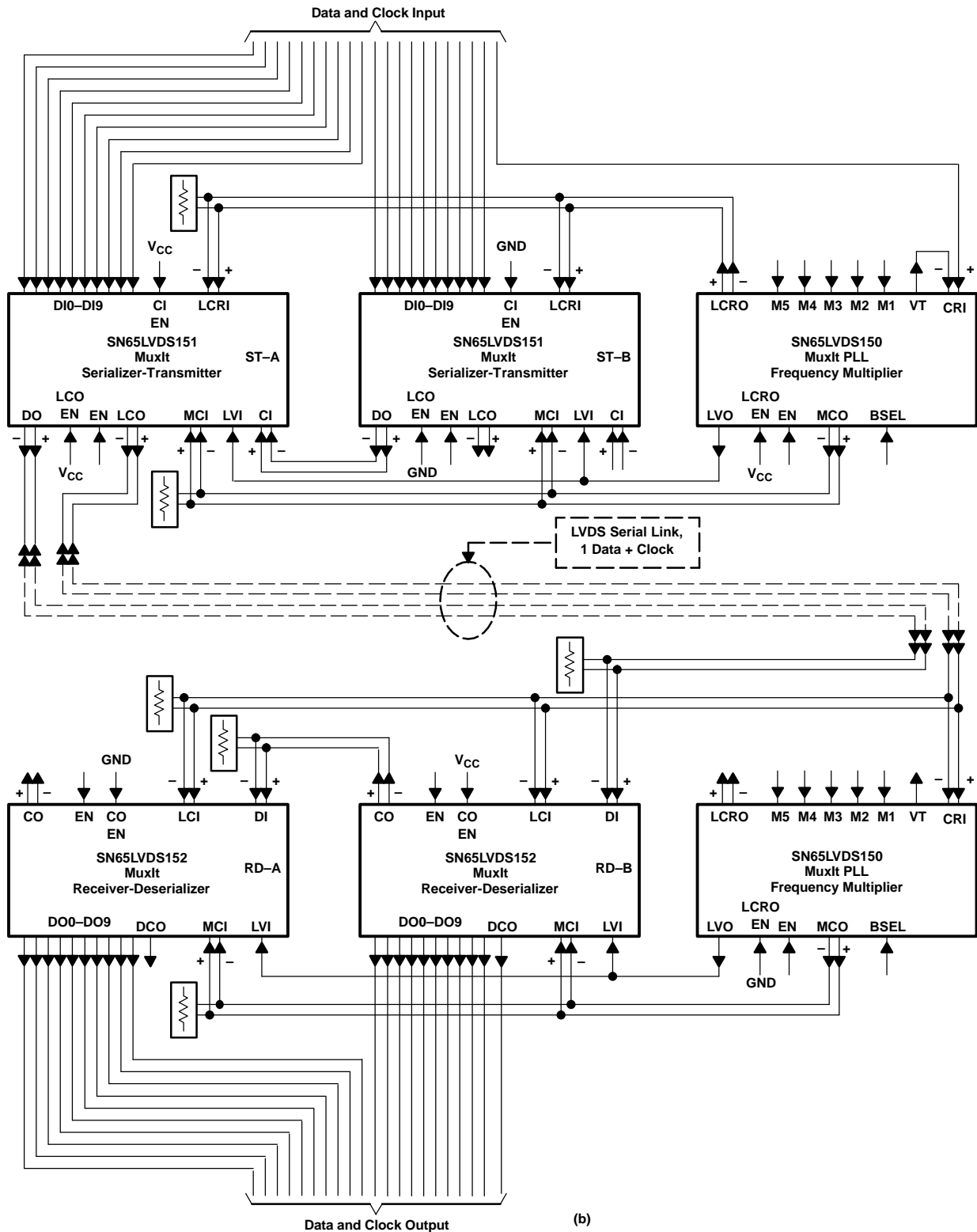
Parallel data path width between 4 and 10 bits, only one LVDS data link required.



(a)

TYPICAL CHARACTERISTICS (continued)

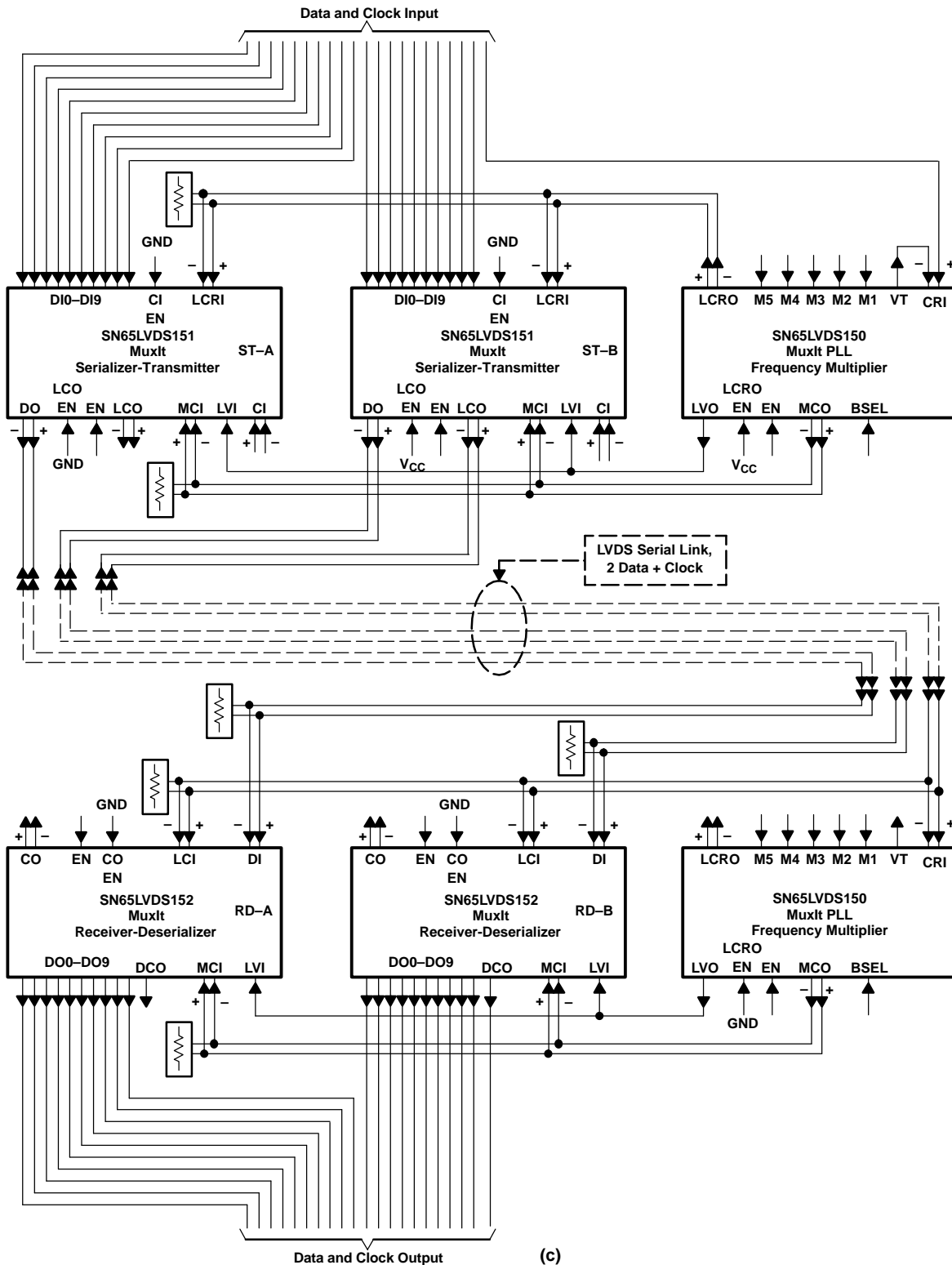
Parallel data path width between 11 and 20 bits, aggregate data rate low enough to allow transmission over one LVDS data link, sharing of PLL-FM between serializer-transmitter and receiver-deserializer chips at each end.



(b)

TYPICAL CHARACTERISTICS (continued)

Parallel data path width between 11 and 20 bits, aggregate data rate requires transmission over two separate LVDS data links, sharing of PLL-FM between serializer-transceiver and receiver-deserializer chips at each end.



PACKAGING INFORMATION

Orderable Device	Status ⁽¹⁾	Package Type	Package Drawing	Pins	Package Qty	Eco Plan ⁽²⁾	Lead/Ball Finish	MSL Peak Temp ⁽³⁾
SN65LVDS150PW	ACTIVE	TSSOP	PW	28	50	Green (RoHS & no Sb/Br)	CU NIPDAU	Level-1-260C-UNLIM
SN65LVDS150PWG4	ACTIVE	TSSOP	PW	28	50	Green (RoHS & no Sb/Br)	CU NIPDAU	Level-1-260C-UNLIM
SN65LVDS150PWR	ACTIVE	TSSOP	PW	28	2000	Green (RoHS & no Sb/Br)	CU NIPDAU	Level-1-260C-UNLIM
SN65LVDS150PWRG4	ACTIVE	TSSOP	PW	28	2000	Green (RoHS & no Sb/Br)	CU NIPDAU	Level-1-260C-UNLIM

⁽¹⁾ The marketing status values are defined as follows:

ACTIVE: Product device recommended for new designs.

LIFEBUY: TI has announced that the device will be discontinued, and a lifetime-buy period is in effect.

NRND: Not recommended for new designs. Device is in production to support existing customers, but TI does not recommend using this part in a new design.

PREVIEW: Device has been announced but is not in production. Samples may or may not be available.

OBSOLETE: TI has discontinued the production of the device.

⁽²⁾ Eco Plan - The planned eco-friendly classification: Pb-Free (RoHS), Pb-Free (RoHS Exempt), or Green (RoHS & no Sb/Br) - please check <http://www.ti.com/productcontent> for the latest availability information and additional product content details.

TBD: The Pb-Free/Green conversion plan has not been defined.

Pb-Free (RoHS): TI's terms "Lead-Free" or "Pb-Free" mean semiconductor products that are compatible with the current RoHS requirements for all 6 substances, including the requirement that lead not exceed 0.1% by weight in homogeneous materials. Where designed to be soldered at high temperatures, TI Pb-Free products are suitable for use in specified lead-free processes.

Pb-Free (RoHS Exempt): This component has a RoHS exemption for either 1) lead-based flip-chip solder bumps used between the die and package, or 2) lead-based die adhesive used between the die and leadframe. The component is otherwise considered Pb-Free (RoHS compatible) as defined above.

Green (RoHS & no Sb/Br): TI defines "Green" to mean Pb-Free (RoHS compatible), and free of Bromine (Br) and Antimony (Sb) based flame retardants (Br or Sb do not exceed 0.1% by weight in homogeneous material)

⁽³⁾ MSL, Peak Temp. -- The Moisture Sensitivity Level rating according to the JEDEC industry standard classifications, and peak solder temperature.

Important Information and Disclaimer:The information provided on this page represents TI's knowledge and belief as of the date that it is provided. TI bases its knowledge and belief on information provided by third parties, and makes no representation or warranty as to the accuracy of such information. Efforts are underway to better integrate information from third parties. TI has taken and continues to take reasonable steps to provide representative and accurate information but may not have conducted destructive testing or chemical analysis on incoming materials and chemicals. TI and TI suppliers consider certain information to be proprietary, and thus CAS numbers and other limited information may not be available for release.

In no event shall TI's liability arising out of such information exceed the total purchase price of the TI part(s) at issue in this document sold by TI to Customer on an annual basis.

TAPE AND REEL INFORMATION



QUADRANT ASSIGNMENTS FOR PIN 1 ORIENTATION IN TAPE



*All dimensions are nominal

Device	Package Type	Package Drawing	Pins	SPQ	Reel Diameter (mm)	Reel Width W1 (mm)	A0 (mm)	B0 (mm)	K0 (mm)	P1 (mm)	W (mm)	Pin1 Quadrant
SN65LVDS150PWR	TSSOP	PW	28	2000	330.0	16.4	6.9	10.2	1.8	12.0	16.0	Q1

TAPE AND REEL BOX DIMENSIONS



*All dimensions are nominal

Device	Package Type	Package Drawing	Pins	SPQ	Length (mm)	Width (mm)	Height (mm)
SN65LVDS150PWR	TSSOP	PW	28	2000	346.0	346.0	33.0

IMPORTANT NOTICE

Texas Instruments Incorporated and its subsidiaries (TI) reserve the right to make corrections, modifications, enhancements, improvements, and other changes to its products and services at any time and to discontinue any product or service without notice. Customers should obtain the latest relevant information before placing orders and should verify that such information is current and complete. All products are sold subject to TI's terms and conditions of sale supplied at the time of order acknowledgment.

TI warrants performance of its hardware products to the specifications applicable at the time of sale in accordance with TI's standard warranty. Testing and other quality control techniques are used to the extent TI deems necessary to support this warranty. Except where mandated by government requirements, testing of all parameters of each product is not necessarily performed.

TI assumes no liability for applications assistance or customer product design. Customers are responsible for their products and applications using TI components. To minimize the risks associated with customer products and applications, customers should provide adequate design and operating safeguards.

TI does not warrant or represent that any license, either express or implied, is granted under any TI patent right, copyright, mask work right, or other TI intellectual property right relating to any combination, machine, or process in which TI products or services are used. Information published by TI regarding third-party products or services does not constitute a license from TI to use such products or services or a warranty or endorsement thereof. Use of such information may require a license from a third party under the patents or other intellectual property of the third party, or a license from TI under the patents or other intellectual property of TI.

Reproduction of TI information in TI data books or data sheets is permissible only if reproduction is without alteration and is accompanied by all associated warranties, conditions, limitations, and notices. Reproduction of this information with alteration is an unfair and deceptive business practice. TI is not responsible or liable for such altered documentation. Information of third parties may be subject to additional restrictions.

Resale of TI products or services with statements different from or beyond the parameters stated by TI for that product or service voids all express and any implied warranties for the associated TI product or service and is an unfair and deceptive business practice. TI is not responsible or liable for any such statements.

TI products are not authorized for use in safety-critical applications (such as life support) where a failure of the TI product would reasonably be expected to cause severe personal injury or death, unless officers of the parties have executed an agreement specifically governing such use. Buyers represent that they have all necessary expertise in the safety and regulatory ramifications of their applications, and acknowledge and agree that they are solely responsible for all legal, regulatory and safety-related requirements concerning their products and any use of TI products in such safety-critical applications, notwithstanding any applications-related information or support that may be provided by TI. Further, Buyers must fully indemnify TI and its representatives against any damages arising out of the use of TI products in such safety-critical applications.

TI products are neither designed nor intended for use in military/aerospace applications or environments unless the TI products are specifically designated by TI as military-grade or "enhanced plastic." Only products designated by TI as military-grade meet military specifications. Buyers acknowledge and agree that any such use of TI products which TI has not designated as military-grade is solely at the Buyer's risk, and that they are solely responsible for compliance with all legal and regulatory requirements in connection with such use.

TI products are neither designed nor intended for use in automotive applications or environments unless the specific TI products are designated by TI as compliant with ISO/TS 16949 requirements. Buyers acknowledge and agree that, if they use any non-designated products in automotive applications, TI will not be responsible for any failure to meet such requirements.

Following are URLs where you can obtain information on other Texas Instruments products and application solutions:

Products

Amplifiers	amplifier.ti.com
Data Converters	dataconverter.ti.com
DLP® Products	www.dlp.com
DSP	dsp.ti.com
Clocks and Timers	www.ti.com/clocks
Interface	interface.ti.com
Logic	logic.ti.com
Power Mgmt	power.ti.com
Microcontrollers	microcontroller.ti.com
RFID	www.ti-rfid.com
RF/IF and ZigBee® Solutions	www.ti.com/lprf

Applications

Audio	www.ti.com/audio
Automotive	www.ti.com/automotive
Broadband	www.ti.com/broadband
Digital Control	www.ti.com/digitalcontrol
Medical	www.ti.com/medical
Military	www.ti.com/military
Optical Networking	www.ti.com/opticalnetwork
Security	www.ti.com/security
Telephony	www.ti.com/telephony
Video & Imaging	www.ti.com/video
Wireless	www.ti.com/wireless

Mailing Address: Texas Instruments, Post Office Box 655303, Dallas, Texas 75265
Copyright © 2009, Texas Instruments Incorporated