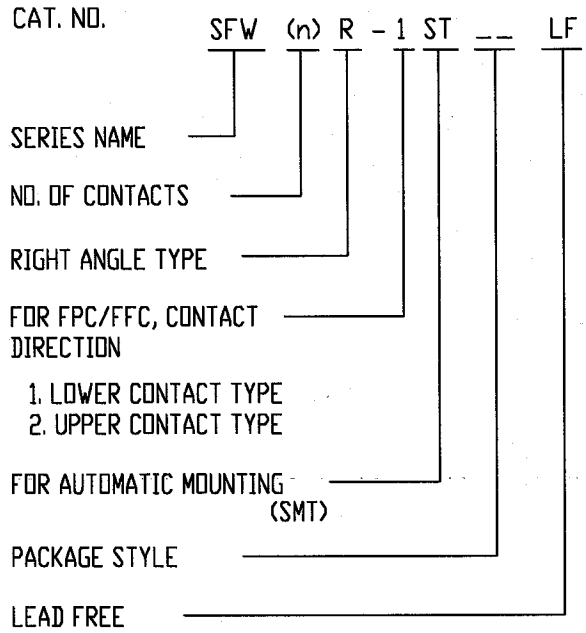


REVISIONS				
REV	DESCRIPTION	ECN	BY	DATE
AA	Changed Cat.No	J05-0055	H.T	2/4/05

CAT. NO. & DIMENSIONS

NO. OF CONTACTS (n)	CAT. NO.	DIMENSIONS (NOTE2)			
		A ± 0.2	B ± 0.2	C ± 0.2	D ± 0.1
4	SFW4R-1/2ST__LF	9.8	8.6	3.0	5.3
5	SFW5R-1/2ST__LF	10.8	9.6	4.0	6.3
6	SFW6R-1/2ST__LF	11.8	10.6	5.0	7.3
7	SFW7R-1/2ST__LF	12.8	11.6	6.0	8.3
8	SFW8R-1/2ST__LF	13.8	12.6	7.0	9.3
9	SFW9R-1/2ST__LF	14.8	13.6	8.0	10.3
10	SFW10R-1/2ST__LF	15.8	14.6	9.0	11.3
11	SFW11R-1/2ST__LF	16.8	15.6	10.0	12.3
12	SFW12R-1/2ST__LF	17.8	16.6	11.0	13.3
13	SFW13R-1/2ST__LF	18.8	17.6	12.0	14.3
14	SFW14R-1/2ST__LF	19.8	18.6	13.0	15.3
15	SFW15R-1/2ST__LF	20.8	19.6	14.0	16.3
16	SFW16R-1/2ST__LF	21.8	20.6	15.0	17.3
17	SFW17R-1/2ST__LF	22.8	21.6	16.0	18.3
18	SFW18R-1/2ST__LF	23.8	22.6	17.0	19.3
19	SFW19R-1/2ST__LF	24.8	23.6	18.0	20.3
20	SFW20R-1/2ST__LF	25.8	24.6	19.0	21.3
21	SFW21R-1/2ST__LF	26.8	25.6	20.0	22.3
22	SFW22R-1/2ST__LF	27.8	26.6	21.0	23.3
23	SFW23R-1/2ST__LF	28.8	27.6	22.0	24.3
24	SFW24R-1/2ST__LF	29.8	28.6	23.0	25.3
25	SFW25R-1/2ST__LF	30.8	29.6	24.0	26.3
26	SFW26R-1/2ST__LF	31.8	30.6	25.0	27.3
27	SFW27R-1/2ST__LF	32.8	31.6	26.0	28.3
28	SFW28R-1/2ST__LF	33.8	32.6	27.0	29.3
29	SFW29R-1/2ST__LF	34.8	33.6	28.0	30.3
30	SFW30R-1/2ST__LF	35.8	34.6	29.0	31.3

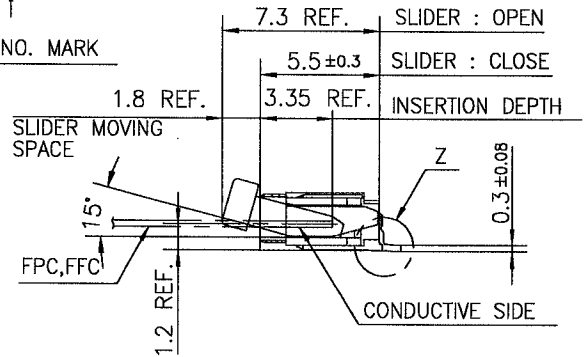
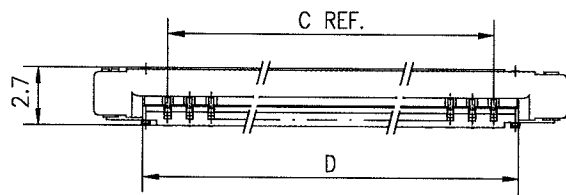
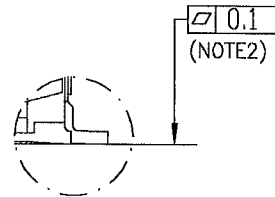
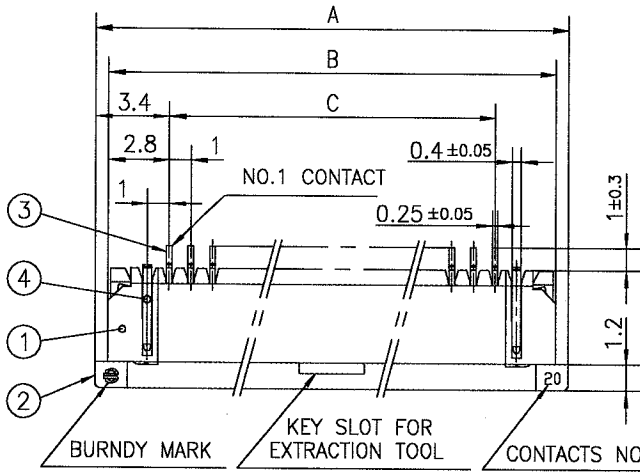


NOTES

1. THIS PRODUCT IS THE CONNECTOR USED FOR FPC/FFC AND CYPES WITH AUTOMATIC MOUNTING (SMT).
2. SEE PART DRAWINGS FOR DIMENSIONS A~D.

SHEET INDEX	ISSUE	AA														
	SH NO.	1														
TOLERANCES UNLESS OTHERWISE SPECIFIED		DR	A. KOBAYASHI		DATE	2/4/05		CUSTOMER COPY	TITLE							
LINEAR		ENGR	<i>H. Kobayashi</i>		DATE	2/9/05			CAT. NO. TABLE FOR 1mm SPACING SMT CONNECTOR (Cat. No. SFW__R-1/2ST__LF)							
		CHK	<i>H. Kobayashi</i>		DATE	2/9/05			PRODUCT FAMILY							
ANGLES		APPD	<i>H. Kobayashi</i>		DATE	2/9/05		UNIT	58JF							CODE JP
DO NOT SCALE PRINT		THIS INFORMATION IS CONFIDENTIAL AND IS DISCLOSED TO YOU ON CONDITION THAT NO FURTHER DISCLOSURE IS MADE BY YOU TO OTHER THAN FCI PERSONNEL WITHOUT WRITTEN AUTHORIZATION FROM FCI JAPAN K.K.										SCALE	SIZE	DWG. NO.	REV	SHEET
DF-140A REV A												-	A	JSA 95854	AA	1 of 1

REVISIONS				
REV	DESCRIPTION	ECN	BY	DATE
AA	Changed Coplanarity	J04-0180	H.T	7/2/'04
AB	Changed Cat. No.	J05-0055	H.T	2/4/'05
AC	Added heat resistance	J05-0736	H.T	10/28/'05



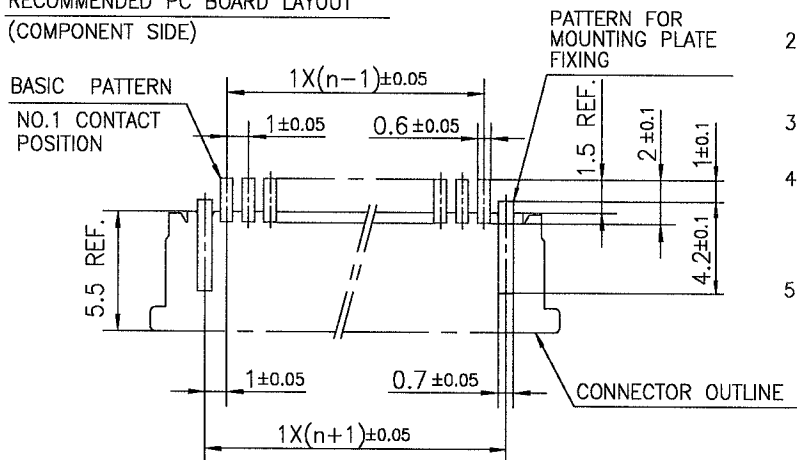
PT. NO.	PARTS NAME	MATERIAL	Q'TY	NOTE
1	HOUSING	PPS RESIN GLASS REINFORCED (UL94V-0)	1	COLOR : BROWN
2	SLIDER		1	COLOR : BLACK
3	CONTACT	PHOSPHOR BRONZE	n	PLATING : TIN
4	MOUNTING PLATE		2	

n : NO. OF CONTACTS

NOTES

1. THIS PRODUCT IS THE CONNECTOR USED FOR FPC/FFC AND COPEs WITH AUTOMATIC MOUNTING (SMT).
2. FLATNESS FOR CONTACT TERMINAL HOUSING MUST BE WITHIN TOLERANCE IN Z PORTION DETAILED DRAWING.
3. THIS PRODUCT IS LOWER CONTACT TYPE CONNECTOR.
4. THIS PRODUCT MEETS EUROPEAN UNION DIRECTIVES AND OTHER COUNTRY REGULATIONS AS DESCRIBED IN GS-22-008
5. THE HOUSING WILL WITHSTAND EXPOSURE TO 260°C PEAK TEMPERATURE FOR 10 SECONDS IN A REFLOW SOLDERING OVEN.

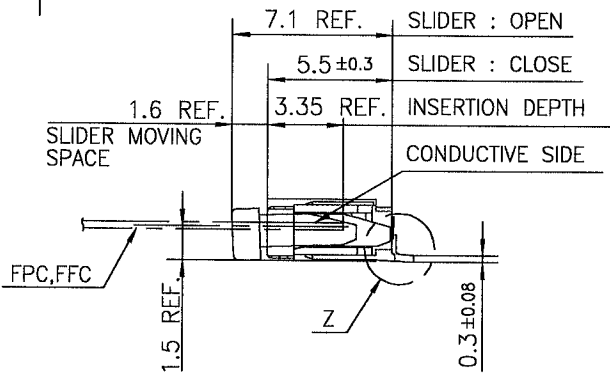
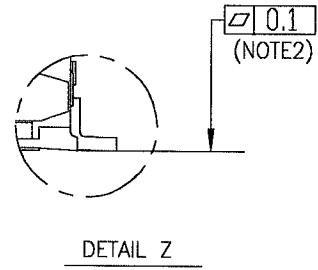
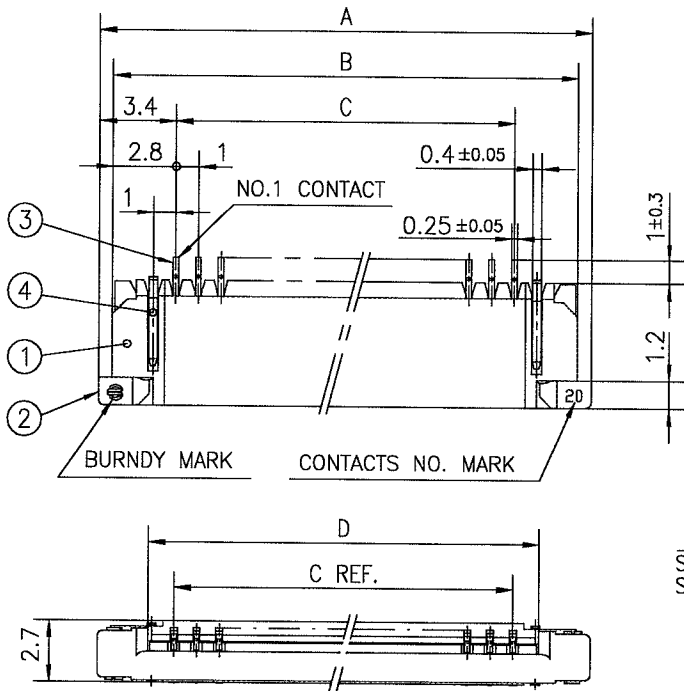
RECOMMENDED PC BOARD LAYOUT (COMPONENT SIDE)



SHEET INDEX	ISSUE	AC											TITLE								
	SH NO.	1																			
LINEAR	TOLERANCES UNLESS OTHERWISE SPECIFIED	DR	DATE	CUSTOMER COPY		1mm SPACING SMT CONNECTOR (Cat. No. SFW__R-1ST__LF)					PRODUCT FAMILY 58JF		CODE JP								
	±0.2	ENGR	10/21/05	THIRD ANGLE PROJ																	
		CHR	10/31/05	UNIT																	
ANGLES		APPD	11/11/05	MM	SCALE		SIZE		DWG. NO.		REV		SHEET								
DO NOT SCALE PRINT		THIS INFORMATION IS CONFIDENTIAL AND IS DISCLOSED TO YOU ON CONDITION THAT NO FURTHER DISCLOSURE IS MADE BY YOU TO OTHER THAN FCI PERSONNEL WITHOUT WRITTEN AUTHORIZATION FROM FCI JAPAN K.K.										-		A		JSA 95855		AC		1 of 1	

SC_SF10 JSA95854

REVISIONS				
REV	DESCRIPTION	ECN	BY	DATE
AA	CHANGED COPLANARITY	J04-0180	H.T	7/2/04
AB	CHANGED CAT. NO.	J05-0055	H.T	2/4/05
AC	Added heat resistance	J05-0736	H.T	10/28/05



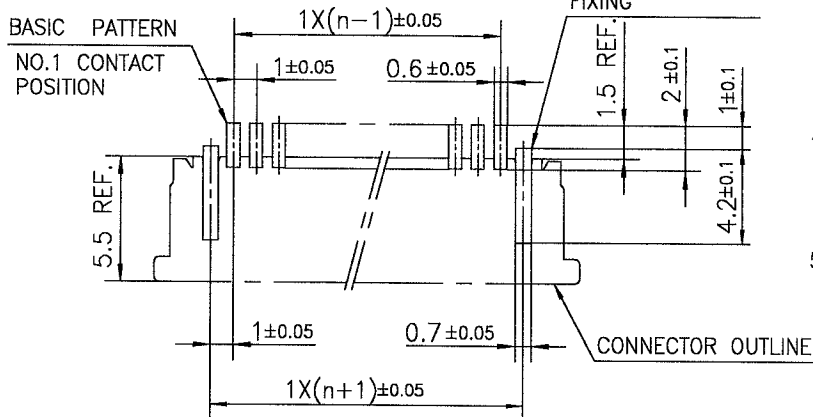
PT. NO.	PARTS NAME	MATERIAL	Q'TY	NOTE
1	HOUSING	PPS RESIN GLASS REINFORCED (UL94V-0)	1	COLOR : BROWN
2	SLIDER	PPS RESIN GLASS REINFORCED (UL94V-0)	1	COLOR : BLACK
3	CONTACT	PHOSPHOR BRONZE	n	PLATING : TIN
4	MOUNTING PLATE		2	

n : NO. OF CONTACTS

NOTES

1. THIS PRODUCT IS THE CONNECTOR USED FOR FPC/FFC AND COPEs WITH AUTOMATIC MOUNTING (SMT).
2. FLATNESS FOR CONTACT TERMINAL HOUSING MUST BE WITHIN TOLERANCE IN Z PORTION DETAILED DRAWING.
3. THIS PRODUCT IS UPPER CONTACT TYPE CONNECTOR.
4. THIS PRODUCT MEETS EUROPEAN UNION DIRECTIVES AND OTHER?COUNTRY REGULATIONS AS DESCRIBED IN GS-22-008
5. THE HOUSING WILL WITHSTAND EXPOSURE TO 260°C PEAK TEMPERATURE FOR 10 SECONDS IN A REFLOW SOLDERING OVEN.

RECOMMENDED PC BOARD LAYOUT (COMPONENT SIDE)

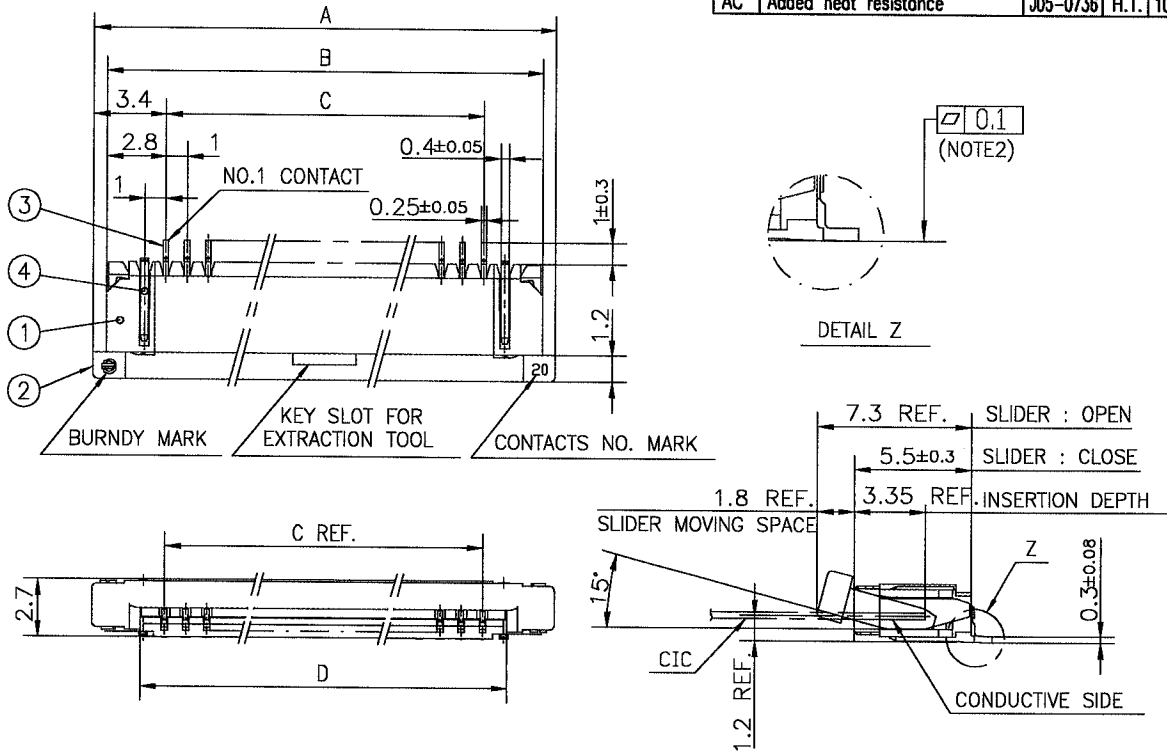


SHEET INDEX	ISSUE	AC								
	SH NO.	1								
TOLERANCES UNLESS OTHERWISE SPECIFIED		DR	DATE	CUSTOMER COPY	<p style="text-align: center;">FCI</p> <p>TITLE 1mm SPACING SMT CONNECTOR (Cat. No. SFW__R-2ST__LF)</p> <p>PRODUCT FAMILY 58JF CODE JP</p>					
LINEAR	±0.2	ENGR	10/21/05	THIRD ANGLE PROJ						
ANGLES		CHK	10/21/05	UNIT						
		APPB	11/1/05	MM INCH						
DO NOT SCALE PRINT		THIS INFORMATION IS CONFIDENTIAL AND IS DISCLOSED TO YOU ON CONDITION THAT NO FURTHER DISCLOSURE IS MADE BY YOU TO OTHER THAN FCI PERSONNEL WITHOUT WRITTEN AUTHORIZATION FROM FCI JAPAN K.K.			SCALE	SIZE	DWG. NO.	REV	SHEET	
DF-140A REV A					-	A	JSA 95856	AC	1 of 1	

SC_SFW10 JSA95854

REVISIONS

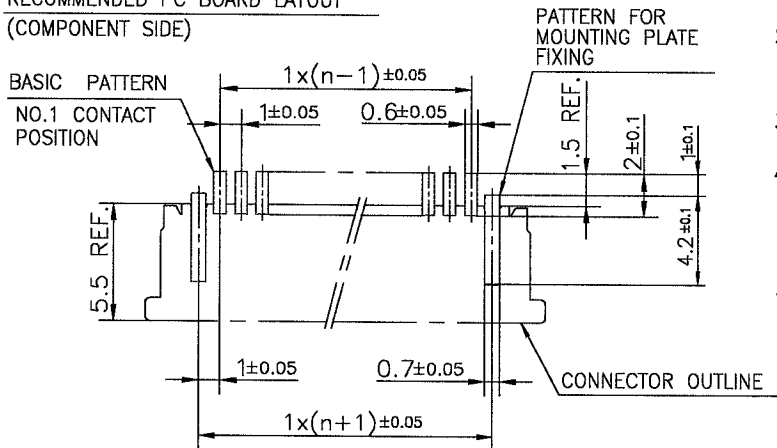
REV	DESCRIPTION	ECN	BY	DATE
AA	CHANGED COPLANARITY	J04-0180	H.T	7/2/'04
AB	Changed CAT.NO.	J05-0055	H.T.	2/4/'05
AC	Added heat resistance	J05-0736	H.T.	10/28/'05



PT. NO.	PARTS NAME	MATERIAL	Q'TY	NOTE
1	HOUSING	PPS RESIN GLASS REINFORCED (UL94V-0)	1	COLOR:BROWN
2	SLIDER	PPS RESIN GLASS REINFORCED (UL94V-0)	1	COLOR:BEIGE
3	CONTACT	PHOSPHOR BRONZE	n	PLATING:TIN
4	MOUNTING PLATE		2	

n : NO. OF CONTACTS
NOTES

RECOMMENDED PC BOARD LAYOUT
(COMPONENT SIDE)



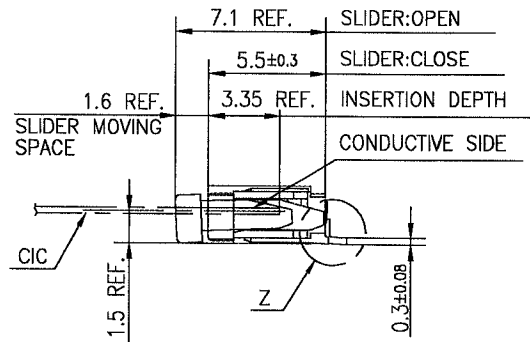
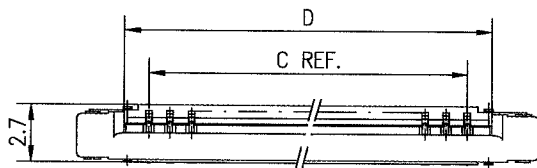
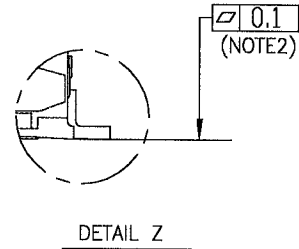
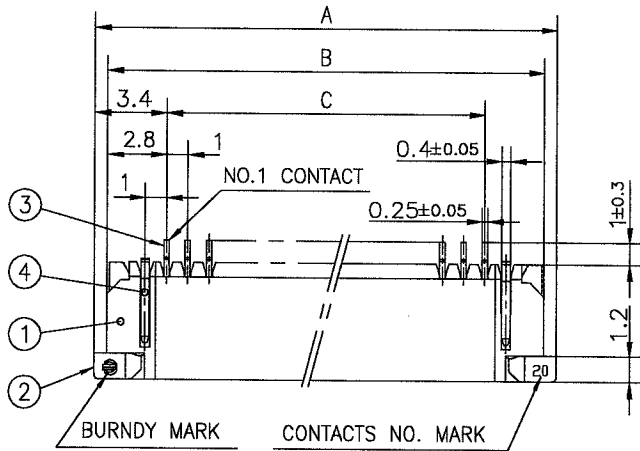
1. THIS PRODUCT IS THE CONNECTOR USED FOR CIC AND COPES WITH AUTOMATIC MOUNTING (SMT).
2. FLATNESS FOR CONTACT TERMINAL HOUSING MUST BE WITHIN TOLERANCE IN Z PORTION DETAILED DRAWING.
3. THIS PRODUCT IS LOWER CONTACT TYPE CONNECTOR.
4. THIS PRODUCT MEETS EUROPEAN UNION DIRECTIVES AND OTHER COUNTRY REGULATIONS AS DESCRIBED IN GS-22-008
5. THE HOUSING WILL WITHSTAND EXPOSURE TO 260°C PEAK TEMPERATURE FOR 10 SECONDS IN A REFLOW SOLDERING OVEN.

SHEET INDEX	ISSUE	AC											TITLE			
	SH NO.	1														
LINEAR	TOLERANCES UNLESS OTHERWISE SPECIFIED		DR	DATE	CUSTOMER COPY						1mm SPACING SMT CONNECTOR (Cat. No. SFW__R-5ST__LF)					
	±0.2		ENGR	10/24/05	THIRD ANGLE PROJ.											
ANGLES			CHK	10/24/05	UNIT	PRODUCT FAMILY					58JF	CODE JP				
DO NOT SCALE PRINT		THIS INFORMATION IS CONFIDENTIAL AND IS DISCLOSED TO YOU ON CONDITION THAT NO FURTHER DISCLOSURE IS MADE BY YOU TO OTHER THAN FCI PERSONNEL WITHOUT WRITTEN AUTHORIZATION FROM FCI JAPAN KK.										SCALE	SIZE	DWG. NO.	REV	SHEET
DF-140A REV A												X	A	JSA 95867	AC	1 OF 1

SC-SFW12 JSA95866

REVISIONS

REV	DESCRIPTION	ECN	BY	DATE
AA	CHANGED COPLANARITY	J04-0180	H.T	7/2/'04
AB	Changed CAT.NO.	J05-0055	H.T.	2/4/'05
AC	Added heat resistance	J05-0736	H.T.	10/28/'05



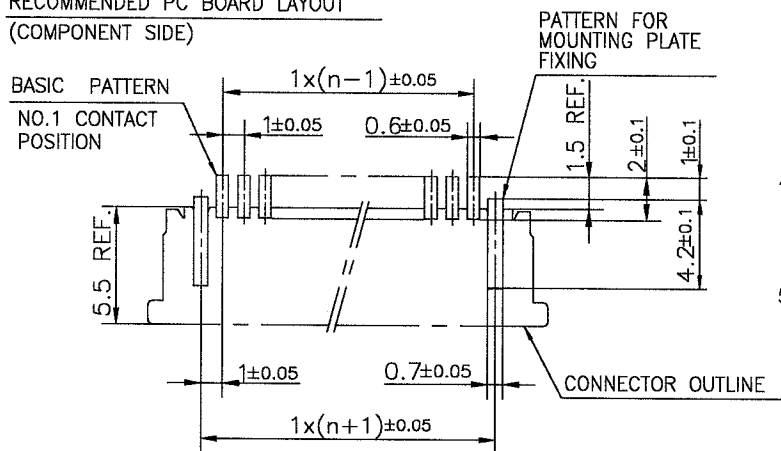
PT. NO.	PARTS NAME	MATERIAL	Q'TY	NOTE
1	HOUSING	PPS RESIN GLASS REINFORCED (UL94V-0)	1	COLOR:BROWN
2	SLIDER		1	COLOR:BEIGE
3	CONTACT	PHOSPHOR BRONZE	n	PLATING:TIN
4	MOUNTING PLATE		2	

n : NO. OF CONTACTS

NOTES

1. THIS PRODUCT IS THE CONNECTOR USED FOR CIC AND COPES WITH AUTOMATIC MOUNTING (SMT).
2. FLATNESS FOR CONTACT TERMINAL HOUSING MUST BE WITHIN TOLERANCE IN Z PORTION DETAILED DRAWING.
3. THIS PRODUCT IS UPPER CONTACT TYPE CONNECTOR.
4. THIS PRODUCT MEETS EUROPEAN UNION DIRECTIVES AND OTHER COUNTRY REGULATIONS AS DISCRIBED IN GS-22-008
5. THE HOUSING WILL WITHSTAND EXPOSURE TO 260°C PEAK TEMPERATURE FOR 10 SECONDS IN A REFLOW SOLDERING OVEN.

RECOMMENDED PC BOARD LAYOUT (COMPONENT SIDE)



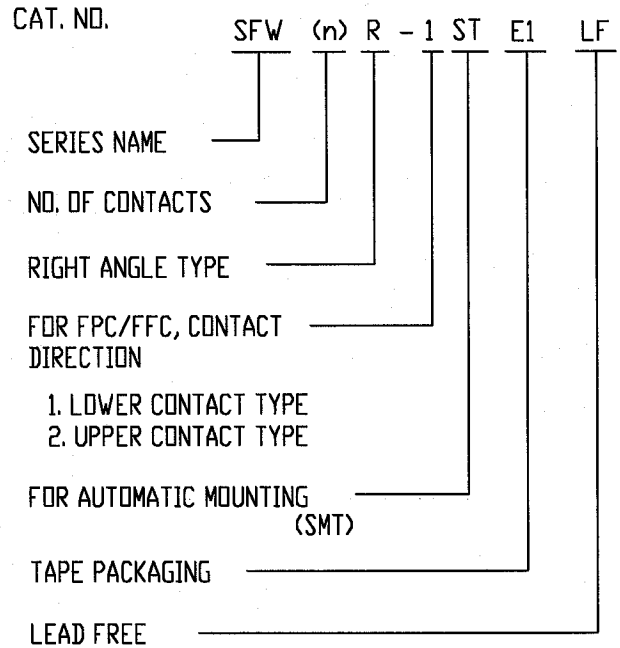
SHEET INDEX	ISSUE	AC													TITLE 1mm SPACING SMT CONNECTOR (Cat. No. SFW__R-6ST__LF)	
	SH NO.	1														
LINEAR	TOLERANCES UNLESS OTHERWISE SPECIFIED		DR	DATE		CUSTOMER COPY		THIRD ANGLE PROJ UNIT MM INCH				PRODUCT FAMILY 58LF CODE JP		SCALE ∞ A DWG. NO. JSA 95868 REV AC SHEET 1 OF 1		
	±0.2		ENGR	12/21/05												
			CHK	12/31/05												
ANGLES			APPD	11/1/05												
DO NOT SCALE PRINT THIS INFORMATION IS CONFIDENTIAL AND IS DISCLOSED TO YOU ON CONDITION THAT NO FURTHER DISCLOSURE IS MADE BY YOU TO OTHER THAN FCI PERSONNEL WITHOUT WRITTEN AUTHORIZATION FROM FCI JAPAN KK.																

SC-SFW12 JSA95866

REVISIONS				
REV	DESCRIPTION	ECN	BY	DATE
AA	Changed Cat. No.	J05-0055	H.T	2/4/05

CAT. NO. & DIMENSIONS

NO. OF CONTACTS (n)	CAT. NO. (NOTE2)	DIMENSIONS (NOTE3)		
		E ± 5	F ± 0.3	G ± 0.1
4	SFW4R-1/2STE1 LF	20.4	16	—
5	SFW5R-1/2STE1 LF	28.4	24	—
6	SFW6R-1/2STE1 LF	28.4	24	—
7	SFW7R-1/2STE1 LF	28.4	24	—
8	SFW8R-1/2STE1 LF	28.4	24	—
9	SFW9R-1/2STE1 LF	28.4	24	—
10	SFW10R-1/2STE1 LF	28.4	24	—
11	SFW11R-1/2STE1 LF	28.4	24	—
12	SFW12R-1/2STE1 LF	28.4	24	—
13	SFW13R-1/2STE1 LF	36.4	32	28.4
14	SFW14R-1/2STE1 LF	36.4	32	28.4
15	SFW15R-1/2STE1 LF	36.4	32	28.4
16	SFW16R-1/2STE1 LF	36.4	32	28.4
17	SFW17R-1/2STE1 LF	48.4	44	40.4
18	SFW18R-1/2STE1 LF	48.4	44	40.4
19	SFW19R-1/2STE1 LF	48.4	44	40.4
20	SFW20R-1/2STE1 LF	48.4	44	40.4
21	SFW21R-1/2STE1 LF	48.4	44	40.4
22	SFW22R-1/2STE1 LF	48.4	44	40.4
23	SFW23R-1/2STE1 LF	48.4	44	40.4
24	SFW24R-1/2STE1 LF	48.4	44	40.4
25	SFW25R-1/2STE1 LF	48.4	44	40.4
26	SFW26R-1/2STE1 LF	48.4	44	40.4
27	SFW27R-1/2STE1 LF	48.4	44	40.4
28	SFW28R-1/2STE1 LF	60.4	56	52.4
29	SFW29R-1/2STE1 LF	60.4	56	52.4
30	SFW30R-1/2STE1 LF	60.4	56	52.4



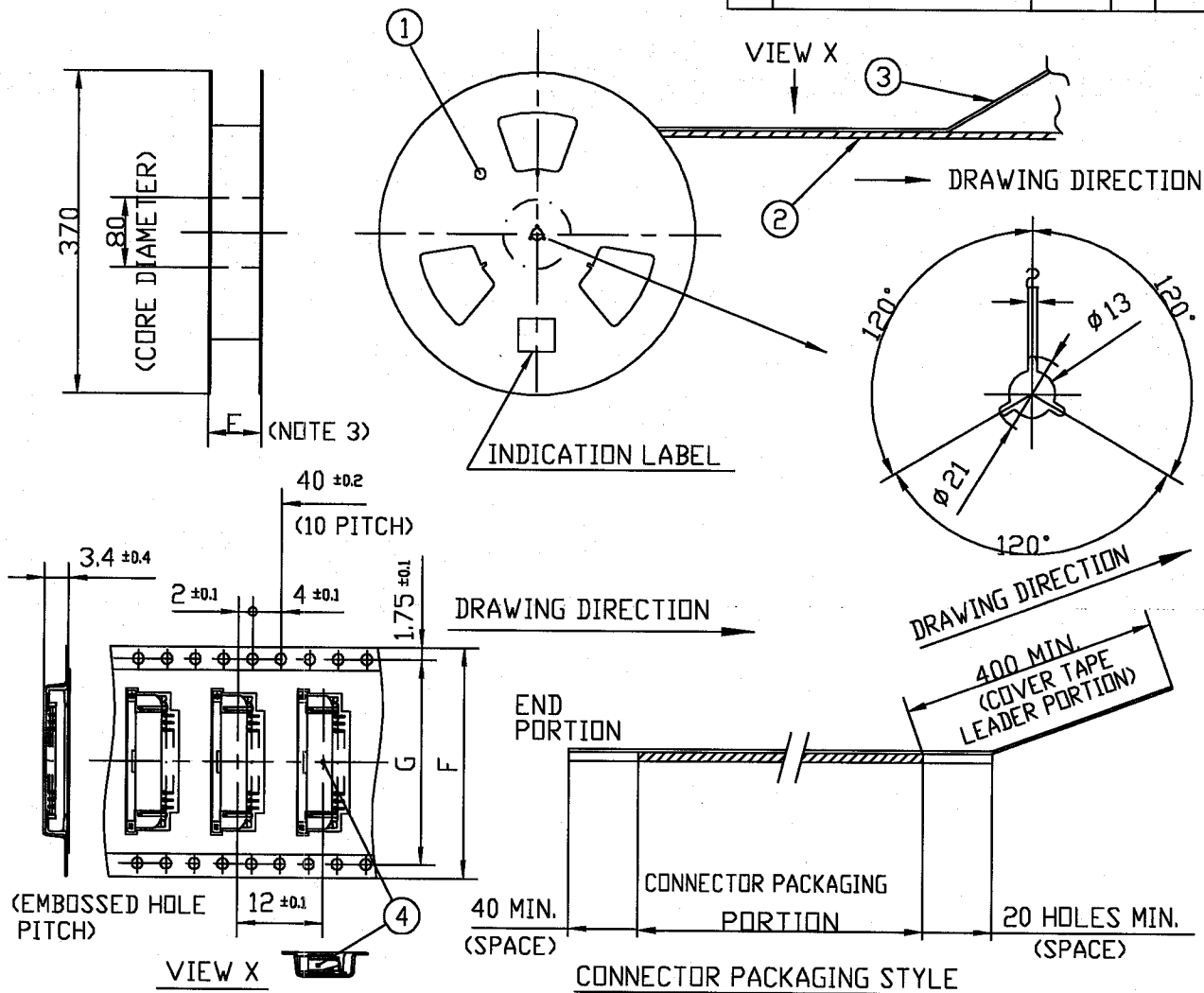
NOTES

1. THIS PRODUCT IS THE CONNECTOR USED FOR FPC/FFC AND COPEs WITH AUTOMATIC MOUNTING (SMT).
2. THIS CATALOG NO. INDICATES PLASTIC TAPE PACKAGED CONNECTOR.
3. SEE PART DRAWINGS FOR DIMENSIONS E~G.

SHEET INDEX	ISSUE	AA														
	SH NO.	1														
TOLERANCES UNLESS OTHERWISE SPECIFIED		DR	A. KOBAYASHI		DATE	2/4/05		CUSTOMER COPY	TITLE CAT. NO. TABLE FOR PLASTICTAPE PACKAGED 1mm SPACING SMT CONNECTOR (Cat. No. SFW_R-1/2STE1 LF)							
LINEAR	±0.3	ENGR	<i>H. Kobayashi</i>			2/7/05										
ANGLES	±2°	APPD	<i>M. Yamaguchi</i>			2/7/05		UNIT	MM		PRODUCT FAMILY		58JF		CODE JP	
DO NOT SCALE PRINT		THIS INFORMATION IS CONFIDENTIAL AND IS DISCLOSED TO YOU ON CONDITION THAT NO FURTHER DISCLOSURE IS MADE BY YOU TO OTHER THAN FCI PERSONNEL WITHOUT WRITTEN AUTHORIZATION FROM FCI JAPAN K.K.										SCALE	SIZE	DWG. NO.	REV	SHEET
DF-140A REV A												-	A	JSA 95857	AA	1 OF 1

TOLERANCES
UNLESS OTHERWISE SPECIFIED: ± 5 , ANGLE $\pm 5^\circ$

REVISIONS				
REV	DESCRIPTION	ECN	BY	DATE
AA	Changed Cat. No.	J05-0055	H.T	2/4/05



PT. NO.	PARTS NAME	CAT. NO.	MATERIAL	Q'TY	NOTE
1	REEL	---	CARDBOARD	1	COLOR: WHITE
2	PLASTIC (EMBOSS) TAPE	---	PET	---	COLOR: TRANSPARENCY
3	COVER	---	POLYESTER	---	COLOR: TRANSPARENCY
4	CONNECTOR	SFW_R-1ST_LF	SEE ATTACHED DWG.	2000	LOWER CONTACT TYPE

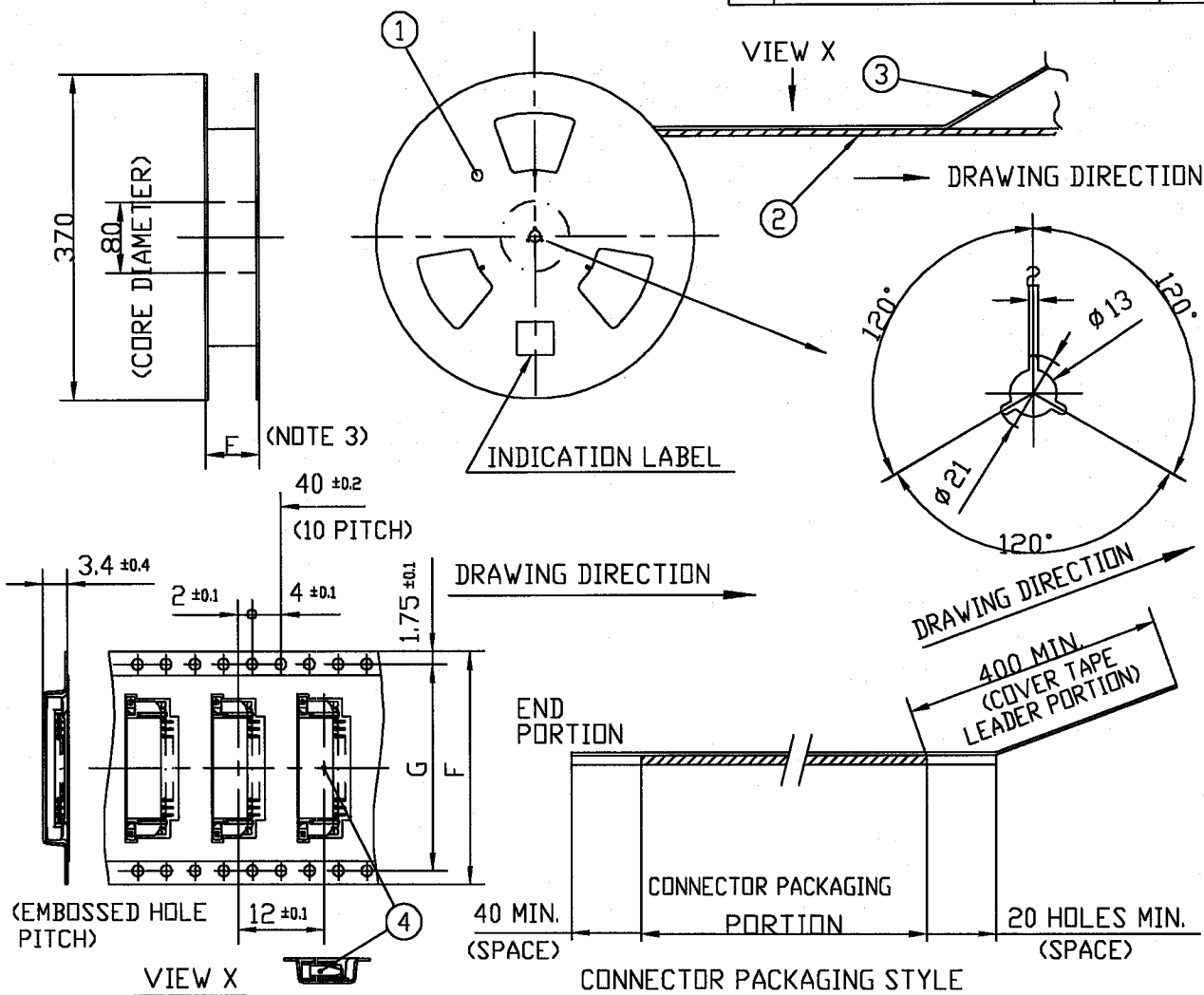
NOTES

1. THIS IS PLASTIC TAPE PACKAGED CONNECTOR USED FOR FPC/FFC AND COPEs WITH AUTOMATIC MOUNTING (SMT).
2. SEE JIS C 0806 (PACKING OF ELECTRONIC COMPONENTS ON CONTINUOUS TAPES (SURFACE MOUNTING DEVICES)) FOR SHAPE AND DIMENSIONS OF PLASTIC (EMBOSS) TAPE AND REEL.
3. E DIMENSION IS PORTION OF THE CORE.

SHEET INDEX	ISSUE	AA											A FCI	
	SH NO.	1												
TOLERANCES UNLESS OTHERWISE SPECIFIED		DR	A. KOBAYASHI	DATE	2/4/05	CUSTOMER COPY	TITLE PLASTIC TAPE PACKAGED 1mm SPACING SMT CONNECTOR (Cat. No. SFW_R-1STE1 LF)							
LINEAR		ENGR	<i>[Signature]</i>	DATE	2/7/05	THIRD ANGLE PROJ								
ANGLES		CHK	<i>[Signature]</i>	DATE	2/7/05	UNIT	MM	PRODUCT FAMILY	58JF	CODE	JP			
DO NOT SCALE PRINT		THIS INFORMATION IS CONFIDENTIAL AND IS DISCLOSED TO YOU ON CONDITION THAT NO FURTHER DISCLOSURE IS MADE BY YOU TO OTHER THAN FCI PERSONNEL WITHOUT WRITTEN AUTHORIZATION FROM FCI JAPAN K.K.					SCALE	A	DWG. NO.	JSA 95858	REV	AA	SHEET	1 OF 1
DF-140A REV A												SC_SFW10	JSA95857	

TOLERANCES
UNLESS OTHERWISE SPECIFIED: ± 5 , ANGLE $\pm 5^\circ$

REVISIONS				
REV	DESCRIPTION	ECN	BY	DATE
AA	Changed Cat. No.	J05-0055	H.T	2/4/05



PT. NO.	PARTS NAME	CAT. NO.	MATERIAL	Q'TY	NOTE
1	REEL	—	CARDBOARD	1	COLOR : WHITE
2	PLASTIC (EMBOSS) TAPE	—	PET	—	COLOR : TRANSPARENCY
3	COVER	—	POLYESTER	—	COLOR : TRANSPARENCY
4	CONNECTOR	SFW_R-2ST_LF	SEE ATTACHED DWG.	2000	UPPER CONTACT TYPE

NOTES

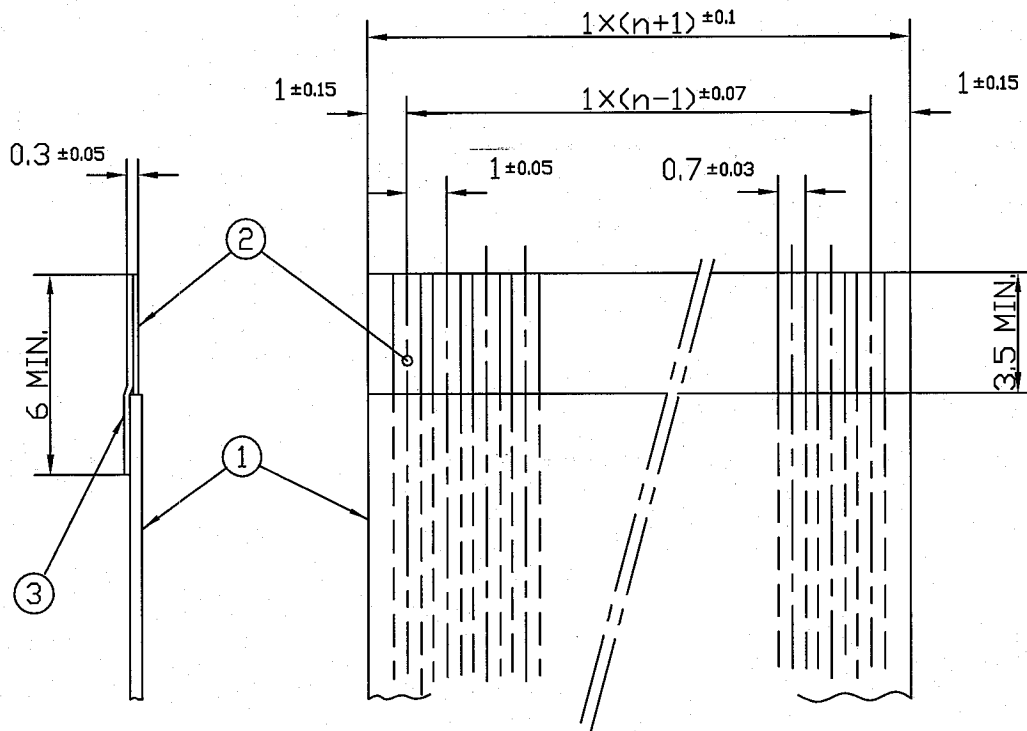
1. THIS IS PLASTIC TAPE PACKAGED CONNECTOR USED FOR FPC/FFC AND COPEs WITH AUTOMATIC MOUNTING (SMT).
2. SEE JIS C 0806 (PACKING OF ELECTRONIC COMPONENTS ON CONTINUOUS TAPES (SURFACE MOUNTING DEVICES)) FOR SHAPE AND DIMENSIONS OF PLASTIC (EMBOSS) TAPE AND REEL.
3. E DIMENSION IS PORTION OF THE CORE.

SHEET INDEX	ISSUE	AA						TITLE PLASTIC TAPE PACKAGED 1mm SPACING SMT CONNECTOR (Cat. No. SFW_R-2STE1 LF)					
	SH NO.	1							PRODUCT FAMILY	58JF	CODE JP		
TOLERANCES UNLESS OTHERWISE SPECIFIED		DR	A. KOBAYASHI	DATE	2/4/05	CUSTOMER COPY							
LINEAR		ENGR	<i>H. Kobayashi</i>	DATE	2/7/05	THIRD ANGLE PROJ							
		CHK	<i>H. Kobayashi</i>	DATE	2/7/05								
ANGLES		APPD	<i>M. Hasegawa</i>	DATE	2/7/05	UNIT	MM						
DO NOT SCALE PRINT		THIS INFORMATION IS CONFIDENTIAL AND IS DISCLOSED TO YOU ON CONDITION THAT NO FURTHER DISCLOSURE IS MADE BY YOU TO OTHER THAN FCI PERSONNEL WITHOUT WRITTEN AUTHORIZATION FROM FCI JAPAN K.K.				SCALE	A	DWG. NO.	JSA 95859	REV	AA	SHEET	1 OF 1

REVISIONS				
REV	DESCRIPTION	ECN	BY	DATE
AA	Changed form.	J05-0055	T.H	2/4/05

RECOMMENDED CABLE (FFC)



n : NO. OF CONDUCTOR



PT. NO.	PARTS NAME	MATERIAL	NOTE
1	INSULATOR	FLAME RESISTING POLYESTER OR EQUAL	_____
2	CONDUCTOR	COPPER FOIL	PLATING : TIN OR SOLDER 1μm MIN.
3	SUPPORTING TAPE	FLAME RESISTING POLYESTER OR EQUAL	_____

NOTES

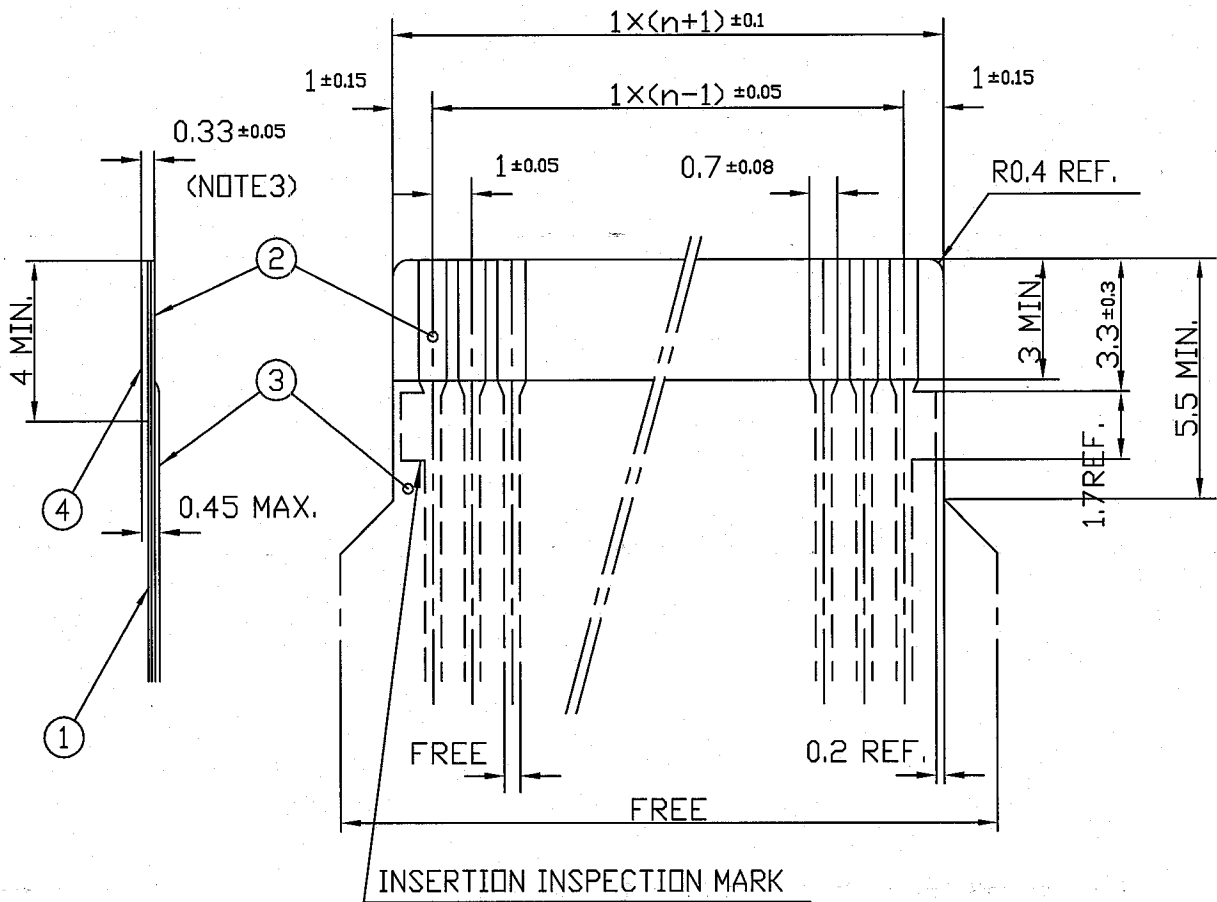
1. NO BURR AT EACH PORTION.
2. NO PEELING IN COMMON USE.

SHEET INDEX	ISSUE	AA																 FCI
	SH NO.	1																
TOLERANCES UNLESS OTHERWISE SPECIFIED		DR	A. KOBAYASHI		DATE	2/4/05		CUSTOMER COPY	TITLE									
LINEAR		ENGR	<i>H. Takahashi</i>		DATE	2/7/05		 THIRD ANGLE PROJ	RECOMMENDED CABLE									
		CHK	<i>H. Takahashi</i>		DATE	2/7/05			(Cat. No. SFW__R-1/2__)									
ANGLES		APPD	<i>H. Takahashi</i>		DATE	2/7/05		UNIT	PRODUCT FAMILY									
								MM INCH										
DO NOT SCALE PRINT		THIS INFORMATION IS CONFIDENTIAL AND IS DISCLOSED TO YOU ON CONDITION THAT NO FURTHER DISCLOSURE IS MADE BY YOU TO EITHER THAN FCI PERSONNEL WITHOUT WRITTEN AUTHORIZATION FROM FCI JAPAN KK.										SCALE	SIZE	DWG. NO.	REV	SHEET		
DF-140A REV A												-	A	JSA 91604	AA	DF		

RECOMMENDED CABLE (FPC)

REVISIONS				
REV	DESCRIPTION	ECN	BY	DATE
AA	Changed form.	J05-0055	T.H	2/4/05

n : NO. OF CONDUCTOR



PT. NO.	PARTS NAME	MATERIAL	THICKNESS (μm)
1	BASE FILM	POLYIMIDE OR POLYESTER OR EQUAL	25
2	CONDUCTOR	COPPER FOIL (PLATING : SOLDER 1μm MIN.)	35
3	OVERLAY	POLYIMIDE OR POLYESTER OR EQUAL	—
4	SUPPORTING TAPE	POLYESTER OR POLYIMIDE OR EQUAL	188

NOTES

1. NO BURR AT EACH PORTION.
2. NO PEELING IN COMMON USE.
3. TOTAL THICKNESS LIMIT OF EACH MATERIAL (INCLUDING ADHESIVE AGENT) IS SPECIFIED.

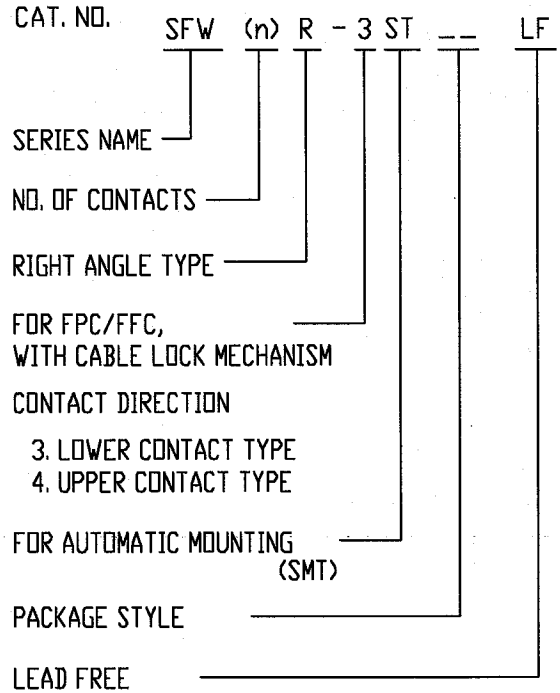
SHEET INDEX	ISSUE	AA										A FCI	
	SH NO.	1											
TOLERANCES UNLESS OTHERWISE SPECIFIED		DR	A. KOBAYASHI		DATE	2/4/05		CUSTOMER COPY	TITLE RECOMMENDED CABLE (Cat. No. SFW__R-1/2__)				
LINEAR		ENGR	<i>H. Takahashi</i>			2/7/05		THIRD ANGLE PROJ					
		CHK	<i>H. Takahashi</i>			2/7/05							
ANGLES		APPD	<i>M. Takahashi</i>			2/17/05		UNIT	PRODUCT FAMILY		CODE JP		
DO NOT SCALE PRINT		THIS INFORMATION IS CONFIDENTIAL AND IS DISCLOSED TO YOU ON CONDITION THAT NO FURTHER DISCLOSURE IS MADE BY YOU TO OTHER THAN FCI PERSONNEL WITHOUT WRITTEN AUTHORIZATION FROM FCI JAPAN K.K.							SCALE	SIZE	DWG. NO.	REV	SHEET
DF-140A REV A									-	A	JSA 91605	AA	OF

CAT. NO. & DIMENSIONS

REVISIONS

REV	DESCRIPTION	ECN	BY	DATE
AA	Changed Cat. No.	J05-0055	H.T	2/4/05

NO. OF CONTACTS (n)	CAT. NO.	DIMENSIONS (NOTE2)			
		A ± 0.2	B ± 0.2	C ± 0.2	D ± 0.1
4	SFW4R-3/4ST__LF	9.8	8.6	3.0	3.92
5	SFW5R-3/4ST__LF	10.8	9.6	4.0	4.92
6	SFW6R-3/4ST__LF	11.8	10.6	5.0	5.92
7	SFW7R-3/4ST__LF	12.8	11.6	6.0	6.92
8	SFW8R-3/4ST__LF	13.8	12.6	7.0	7.92
9	SFW9R-3/4ST__LF	14.8	13.6	8.0	8.92
10	SFW10R-3/4ST__LF	15.8	14.6	9.0	9.92
11	SFW11R-3/4ST__LF	16.8	15.6	10.0	10.92
12	SFW12R-3/4ST__LF	17.8	16.6	11.0	11.92
13	SFW13R-3/4ST__LF	18.8	17.6	12.0	12.92
14	SFW14R-3/4ST__LF	19.8	18.6	13.0	13.92
15	SFW15R-3/4ST__LF	20.8	19.6	14.0	14.92
16	SFW16R-3/4ST__LF	21.8	20.6	15.0	15.92
17	SFW17R-3/4ST__LF	22.8	21.6	16.0	16.92
18	SFW18R-3/4ST__LF	23.8	22.6	17.0	17.92
19	SFW19R-3/4ST__LF	24.8	23.6	18.0	18.92
20	SFW20R-3/4ST__LF	25.8	24.6	19.0	19.92
21	SFW21R-3/4ST__LF	26.8	25.6	20.0	20.92
22	SFW22R-3/4ST__LF	27.8	26.6	21.0	21.92
23	SFW23R-3/4ST__LF	28.8	27.6	22.0	22.92
24	SFW24R-3/4ST__LF	29.8	28.6	23.0	23.92
25	SFW25R-3/4ST__LF	30.8	29.6	24.0	24.92
26	SFW26R-3/4ST__LF	31.8	30.6	25.0	25.92
27	SFW27R-3/4ST__LF	32.8	31.6	26.0	26.92
28	SFW28R-3/4ST__LF	33.8	32.6	27.0	27.92
29	SFW29R-3/4ST__LF	34.8	33.6	28.0	28.92
30	SFW30R-3/4ST__LF	35.8	34.6	29.0	29.92

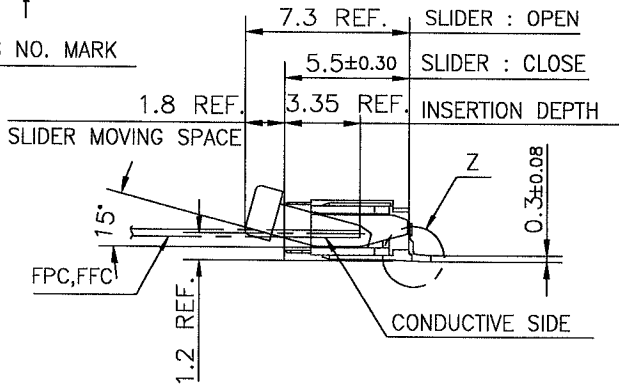
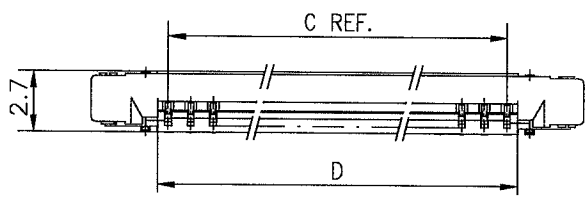
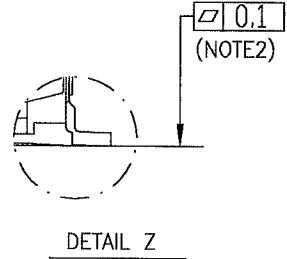
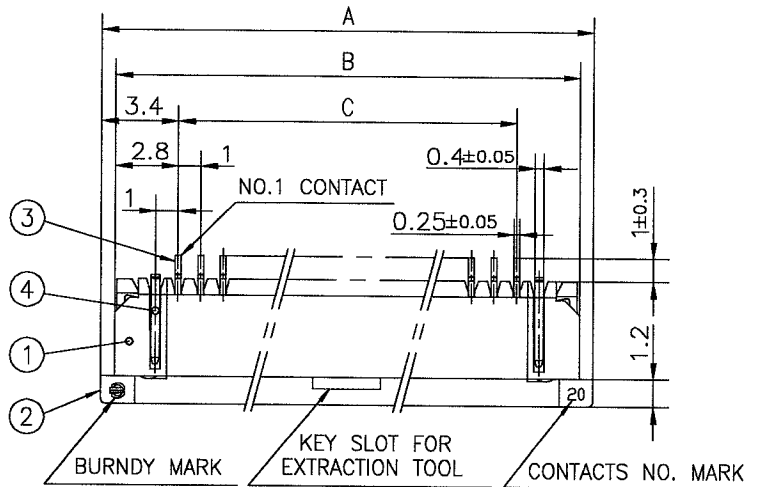


NOTES

1. THIS PRODUCT IS THE CONNECTOR USED FOR FPC/FFC AND CYPES WITH AUTOMATIC MOUNTING (SMT).
2. SEE PART DRAWINGS FOR DIMENSIONS A~D.
3. THIS PRODUCT IS THE CONNECTOR WITH CABLE LOCK MECHANISM.

SHEET INDEX	ISSUE	AA																						
	SH NO.	1																						
TOLERANCES UNLESS OTHERWISE SPECIFIED		DR	A. KOBAYASHI		DATE	2/4/05		CUSTOMER COPY	TITLE CAT NO. TABLE FOR 1mm SPACING SMT CONNECTOR (Cat. No. SFW__R-3/4ST__LF)															
LINEAR		ENGR	<i>H. Takahashi</i>			<i>2/7/05</i>																		
		CHK	<i>H. Takahashi</i>			<i>2/7/05</i>		THIRD ANGLE PROJ																
ANGLES		APPD	<i>M. Takahashi</i>			<i>2/7/05</i>		UNIT	MM	PRODUCT FAMILY 58JF								CODE JP						
DO NOT SCALE PRINT										THIS INFORMATION IS CONFIDENTIAL AND IS DISCLOSED TO YOU ON CONDITION THAT NO FURTHER DISCLOSURE IS MADE BY YOU TO OTHER THAN FCI PERSONNEL WITHOUT WRITTEN AUTHORIZATION FROM FCI JAPAN K.K.										SCALE	SIZE	DWG. NO.	REV	SHEET
DF-140A REV A																				-	A	JSA 95860	AA	1 of 1

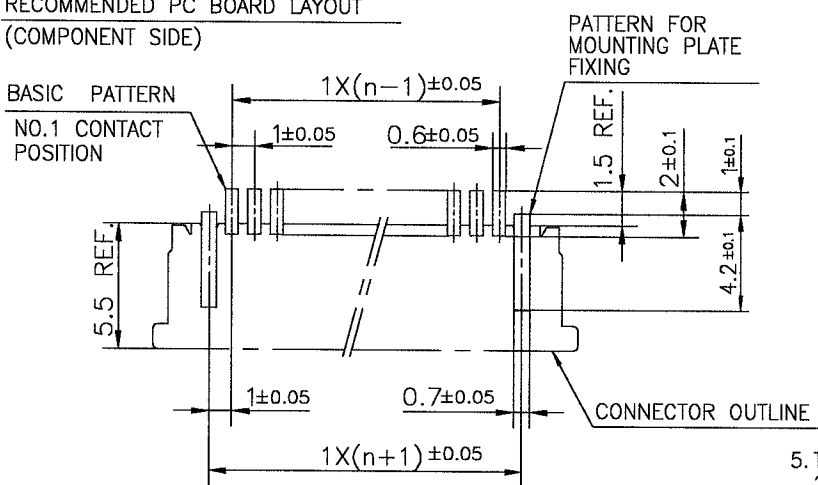
REVISIONS				
REV	DESCRIPTION	ECN	BY	DATE
AA	Changed Coplanarity	J04-0180	H.T	7/2/'04
AB	Changed Cat. No.	J05-0055	H.T	2/4/'05
AC	Added heat resistance	J05-0736	H.T	10/28/'05



PT. NO.	PARTS NAME	MATERIAL	Q'TY	NOTE
1	HOUSING	PPS RESIN GLASS REINFORCED (UL94V-0)	1	COLOR : BLACK
2	SLIDER	PPS RESIN GLASS REINFORCED (UL94V-0)	1	COLOR : BROWN
3	CONTACT	PHOSPHOR BRONZE	n	PLATING : TIN
4	MOUNTING PLATE	PHOSPHOR BRONZE	2	PLATING : TIN

n : NO. OF CONTACTS

RECOMMENDED PC BOARD LAYOUT
(COMPONENT SIDE)

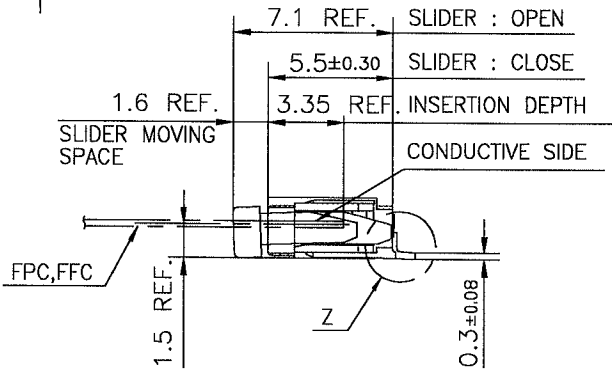
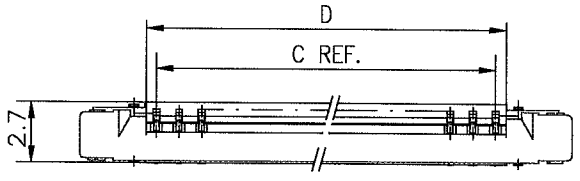
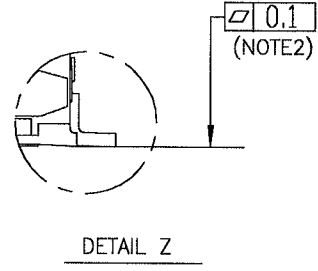
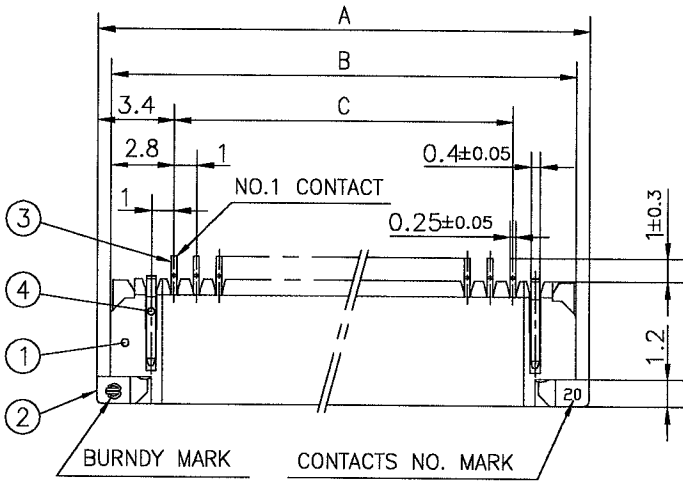


NOTES

1. THIS PRODUCT IS THE CONNECTOR USED FOR FPC/FFC AND COPES WITH AUTOMATIC MOUNTING (SMT).
2. FLATNESS FOR CONTACT TERMINAL HOUSING MUST BE WITHIN TOLERANCE IN Z PORTION DETAILED DRAWING.
3. THIS PRODUCT IS LOWER CONTACT TYPE CONNECTOR WITH CABLE LOCK MECHANISM.
4. THIS PRODUCT MEETS EUROPEAN UNION DIRECTIVES AND OTHER COUNTRY REGULATIONS AS DESCRIBED IN GS-22-008
5. THE HOUSING WILL WITHSTAND EXPOSURE TO 260°C PEAK TEMPERATURE FOR 10 SECONDS IN A REFLOW SOLDERING OVEN.

SHEET INDEX	ISSUE	AC									
	SH NO.	1									
TOLERANCES UNLESS OTHERWISE SPECIFIED		DR	DATE		CUSTOMER COPY		TITLE				
LINEAR	±0.2	ENGR	10/31/05		THIRD ANGLE PROJ						
ANGLES		CHK	10/31/05		UNIT		PRODUCT FAMILY		CODE		
DO NOT SCALE PRINT		THIS INFORMATION IS CONFIDENTIAL AND IS DISCLOSED TO YOU ON CONDITION THAT NO FURTHER DISCLOSURE IS MADE BY YOU TO OTHER THAN FCI PERSONNEL WITHOUT WRITTEN AUTHORIZATION FROM FCI JAPAN K.K.				SCALE		SIZE	DWG. NO.	REV	SHEET
DF-140A REV A						-		A	JSA 95861	AC	1 of 1
SC_SFW11 JSA95860								58JF		JP	

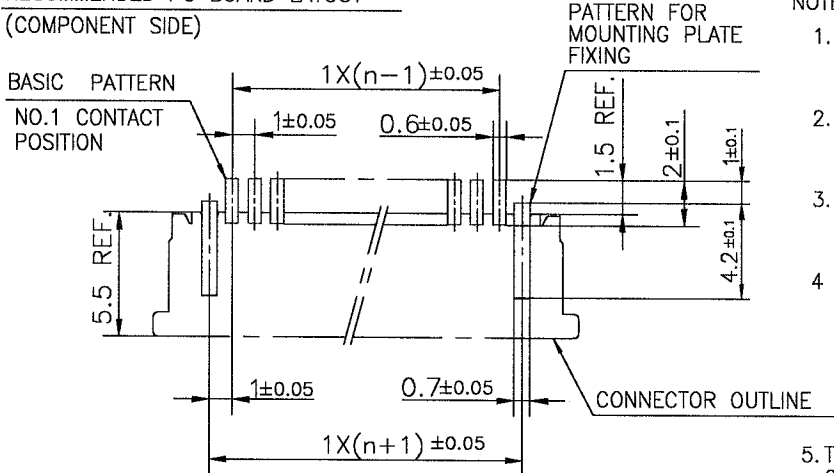
REVISIONS				
REV	DESCRIPTION	ECN	BY	DATE
AA	Changed Coplanarity	J04-0180	H.T	7/2/04
AB	Changed Cat. No.	J05-0055	H.T	2/4/05
AC	Added heat resistance	J05-0736	H.T	10/28/05



PT. NO.	PARTS NAME	MATERIAL	Q'TY	NOTE
1	HOUSING	PPS RESIN GLASS	1	COLOR : BLACK
2	SLIDER	REINFORCED (UL94V-0)	1	COLOR : BROWN
3	CONTACT	PHOSPHOR BRONZE	n	PLATING : TIN
4	MOUNTING PLATE		2	

n : NO. OF CONTACTS

RECOMMENDED PC BOARD LAYOUT
(COMPONENT SIDE)



NOTES

1. THIS PRODUCT IS THE CONNECTOR USED FOR FPC/FFC AND COPES WITH AUTOMATIC MOUNTING (SMT).
2. FLATNESS FOR CONTACT TERMINAL HOUSING MUST BE WITHIN TOLERANCE IN Z PORTION DETAILED DRAWING.
3. THIS PRODUCT IS UPPER CONTACT TYPE CONNECTOR WITH CABLE LOCK MECHANISM.
4. THIS PRODUCT MEETS EUROPEAN UNION DIRECTIVES AND OTHER?COUNTRY REGULATIONS AS DESCRIBED IN GS-22-008
5. THE HOUSING WILL WITHSTAND EXPOSURE TO 260°C PEAK TEMPERATURE FOR 10 SECONDS IN A REFLOW SOLDERING OVEN.

SHEET INDEX	ISSUE	AC										
	SH NO.	1										
TOLERANCES UNLESS OTHERWISE SPECIFIED	DR	<i>M. ...</i>	DATE	10/28/05	CUSTOMER COPY							
	ENGR	<i>H. ...</i>	DATE	10/21/05	THIRD ANGLE PROJ							
	CHK	<i>H. ...</i>	DATE	10/21/05	UNIT	MM						
	APPD	<i>S. ...</i>	DATE	11/1/05	INCH							
LINEAR	±0.2											
ANGLES												
DO NOT SCALE PRINT THIS INFORMATION IS CONFIDENTIAL AND IS DISCLOSED TO YOU ON CONDITION THAT NO FURTHER DISCLOSURE IS MADE BY YOU TO OTHER THAN FCI PERSONNEL WITHOUT WRITTEN AUTHORIZATION FROM FCI JAPAN K.K.												
DF-140A REV A	SC_SFW11 JSA95860											

FCI

TITLE
1mm SPACING SMT CONNECTOR
(Cat. No. SFW__R-4ST__LF)

PRODUCT FAMILY
58JF

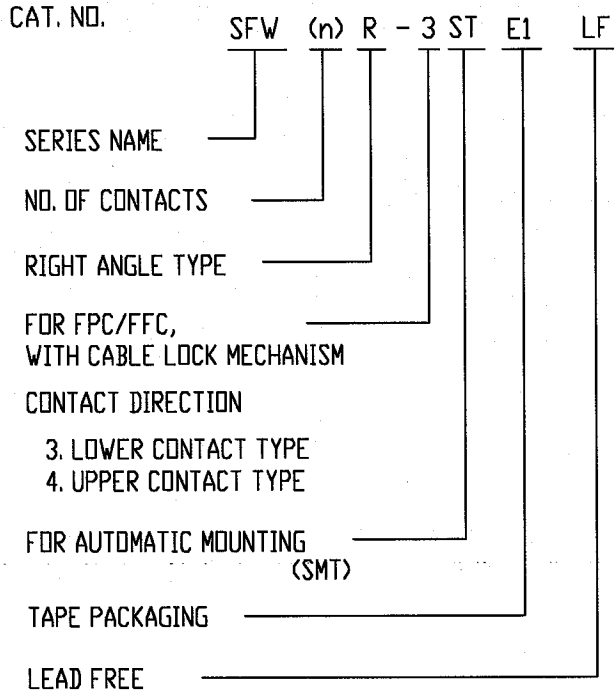
CODE
JP

SCALE SIZE DWG. NO. REV SHEET
- A JSA 95862 AC 1 OF 1

CAT. NO. & DIMENSIONS

NO. OF CONTACTS (n)	CAT. NO. (NOTE2)	DIMENSIONS (NOTE3)		
		E ± 0.1	F ± 0.3	G ± 0.1
4	SFW4R-3/4STE1 LF	20.4	16	—
5	SFW5R-3/4STE1 LF	28.4	24	—
6	SFW6R-3/4STE1 LF	28.4	24	—
7	SFW7R-3/4STE1 LF	28.4	24	—
8	SFW8R-3/4STE1 LF	28.4	24	—
9	SFW9R-3/4STE1 LF	28.4	24	—
10	SFW10R-3/4STE1 LF	28.4	24	—
11	SFW11R-3/4STE1 LF	28.4	24	—
12	SFW12R-3/4STE1 LF	28.4	24	—
13	SFW13R-3/4STE1 LF	36.4	32	28.4
14	SFW14R-3/4STE1 LF	36.4	32	28.4
15	SFW15R-3/4STE1 LF	36.4	32	28.4
16	SFW16R-3/4STE1 LF	36.4	32	28.4
17	SFW17R-3/4STE1 LF	48.4	44	40.4
18	SFW18R-3/4STE1 LF	48.4	44	40.4
19	SFW19R-3/4STE1 LF	48.4	44	40.4
20	SFW20R-3/4STE1 LF	48.4	44	40.4
21	SFW21R-3/4STE1 LF	48.4	44	40.4
22	SFW22R-3/4STE1 LF	48.4	44	40.4
23	SFW23R-3/4STE1 LF	48.4	44	40.4
24	SFW24R-3/4STE1 LF	48.4	44	40.4
25	SFW25R-3/4STE1 LF	48.4	44	40.4
26	SFW26R-3/4STE1 LF	48.4	44	40.4
27	SFW27R-3/4STE1 LF	48.4	44	40.4
28	SFW28R-3/4STE1 LF	60.4	56	52.4
29	SFW29R-3/4STE1 LF	60.4	56	52.4
30	SFW30R-3/4STE1 LF	60.4	56	52.4

REVISIONS				
REV	DESCRIPTION	ECN	BY	DATE
AA	Changed Cat. No.	J05-0055	H.T	2/4/05



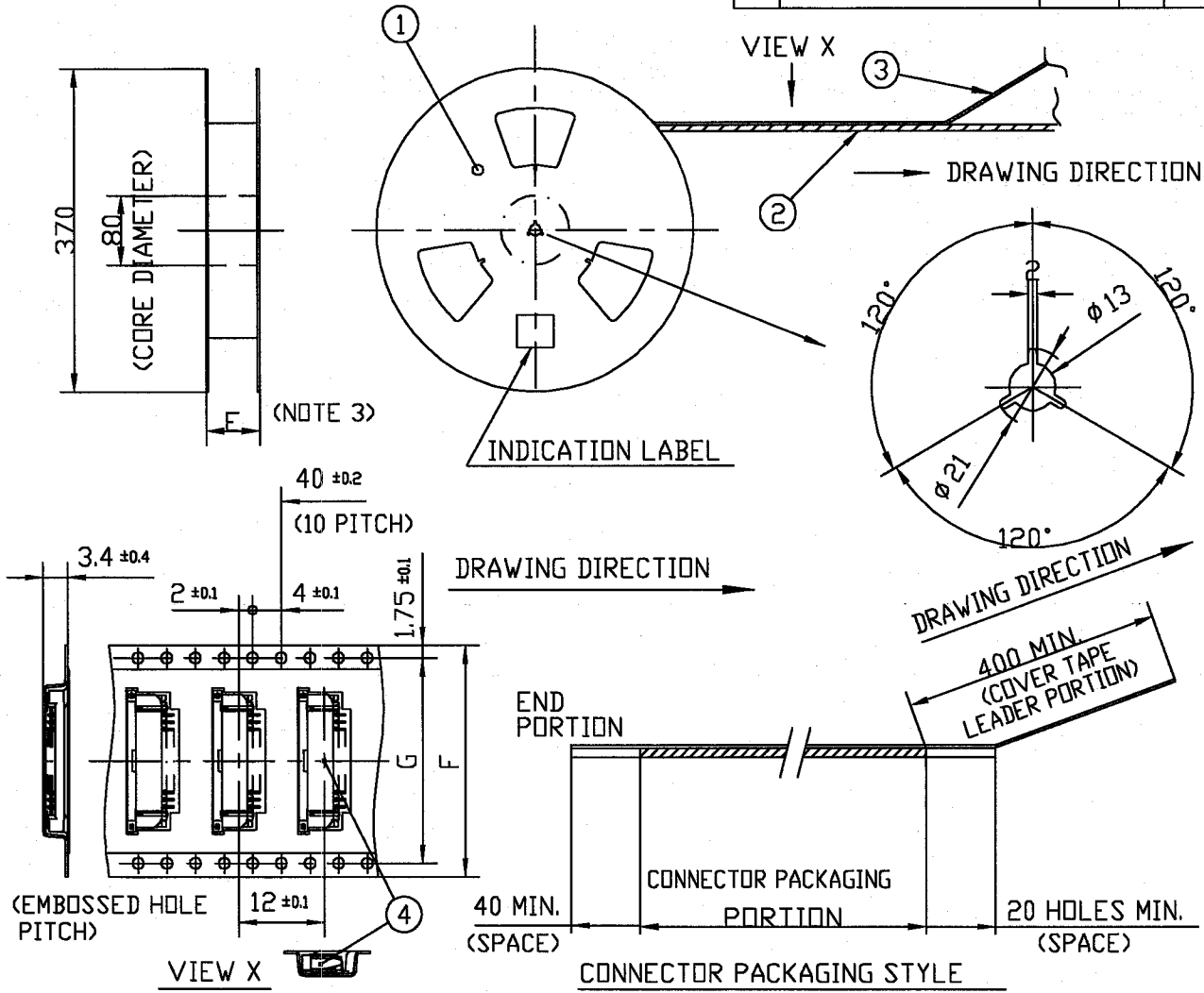
NOTES

1. THIS PRODUCT IS THE CONNECTOR USED FOR FPC/FFC AND COPEs WITH AUTOMATIC MOUNTING (SMT).
2. THIS CATALOG NO. INDICATES PLASTIC TAPE PACKAGED CONNECTOR.
3. SEE PART DRAWINGS FOR DIMENSIONS E~G.
4. THIS PRODUCT IS THE CONNECTOR WITH CABLE LOCK MECHANISM.

SHEET INDEX	ISSUE	AA																	
	SH NO.	1																	
TOLERANCES UNLESS OTHERWISE SPECIFIED		DR	A. KOBAYASHI		DATE	2/4/05		CUSTOMER COPY	TITLE CAT NO. TABLE FOR PLASTIC TAPE PACKAGED 1mm SPACING SMT CONNECTOR (Cat. No. SFW__R-3/4STE1 LF)										
LINEAR		ENGR	<i>[Signature]</i>			2/7/05		THIRD ANGLE PROJ	PRODUCT FAMILY 58JF CODE JP										
		CHK	<i>[Signature]</i>			2/7/05													
ANGLES		APPD	<i>[Signature]</i>			2/7/05		UNIT	MM		SCALE SIZE DWG. NO. REV SHEET								
DO NOT SCALE PRINT		THIS INFORMATION IS CONFIDENTIAL AND IS DISCLOSED TO YOU ON CONDITION THAT NO FURTHER DISCLOSURE IS MADE BY YOU TO OTHER THAN FCI PERSONNEL WITHOUT WRITTEN AUTHORIZATION FROM FCI JAPAN K.K.																	

TOLERANCES
UNLESS OTHERWISE SPECIFIED: ± 5 , ANGLE ± 5

REVISIONS				
REV	DESCRIPTION	ECN	BY	DATE
AA	Changed Cat. No.	J05-0055	H.T	2/4/05



PT. NO.	PARTS NAME	CAT. NO.	MATERIAL	Q'TY	NOTE
1	REEL	—	CARDBOARD	1	COLOR: WHITE
2	PLASTIC (EMBOSS) TAPE	—	PET	—	COLOR: TRANSPARENCY
3	COVER	—	POLYESTER	—	COLOR: TRANSPARENCY
4	CONNECTOR	SFW_R-3ST_LF	SEE ATTACHED DWG.	2000	LOWER CONTACT TYPE

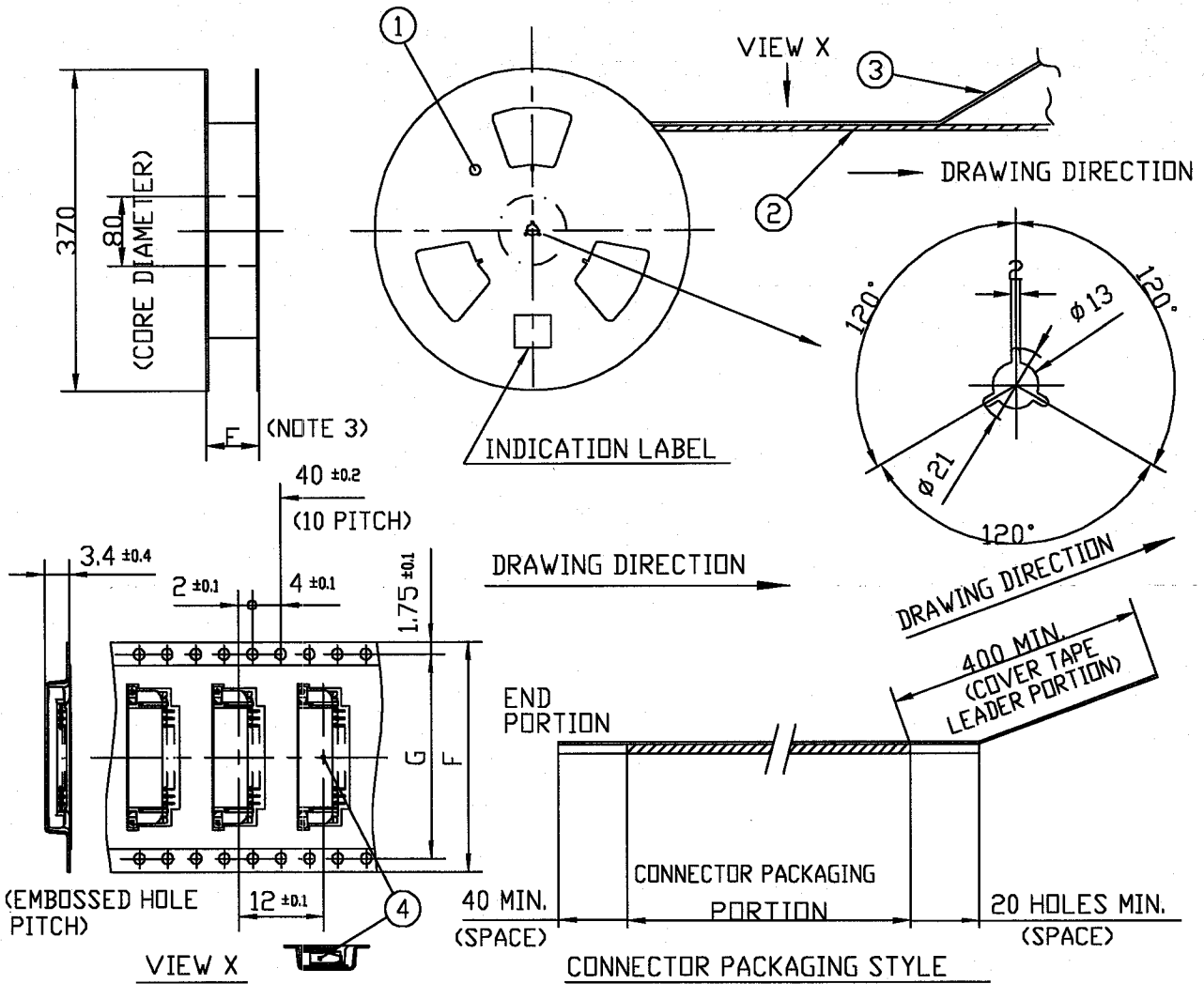
NOTES

1. THIS IS PLASTIC TAPE PACKAGED CONNECTOR WITH CABLE LOCK MECHANISM USED FOR FPC/FFC AND COPEs WITH AUTOMATIC MOUNTING (SMT).
2. SEE JIS C 0806 (PACKING OF ELECTRONIC COMPONENTS ON CONTINUOUS TAPES (SURFACE MOUNTING DEVICES)) FOR SHAPE AND DIMENSIONS OF PLASTIC (EMBOSS) TAPE AND REEL.
3. E DIMENSION IS PORTION OF THE CORE.

SHEET INDEX	ISSUE	AA													
	SH NO.	1													
LINEAR	TOLERANCES UNLESS OTHERWISE SPECIFIED	DR	A. KOBAYASHI	DATE	2/4/05	CUSTOMER COPY	TITLE PLASTIC TAPE PACKAGED 1mm SPACING SMT CONNECTOR (Cat. No. SFW_R-3STE1 LF)								
		ENGR	<i>[Signature]</i>			THIRD ANGLE PROJ									
		CHR	<i>[Signature]</i>			UNIT						MM			
ANGLES		APPD	<i>[Signature]</i>			INCH	PRODUCT FAMILY	58JF	CODE	JP					
DO NOT SCALE PRINT	THIS INFORMATION IS CONFIDENTIAL AND IS DISCLOSED TO YOU ON CONDITION THAT NO FURTHER DISCLOSURE IS MADE BY YOU TO OTHER THAN FCI PERSONNEL WITHOUT WRITTEN AUTHORIZATION FROM FCI JAPAN K.K.										SCALE	SIZE	DWG. NO.	REV	SHEET
DF-140A REV A											-	A	JSA 95864	AA	OF

TOLERANCES
UNLESS OTHERWISE SPECIFIED: ± 5 , ANGLE $\pm 5^\circ$

REVISIONS				
REV	DESCRIPTION	ECN	BY	DATE
AA	Changed Cat. No.	J05-0055	H.T	2/4/05



PT. NO.	PARTS NAME	CAT. NO.	MATERIAL	Q'TY	NOTE
1	REEL	—	CARDBOARD	1	COLOR: WHITE
2	PLASTIC (EMBOSS) TAPE	—	PET	—	COLOR: TRANSPARENCY
3	COVER	—	POLYESTER	—	COLOR: TRANSPARENCY
4	CONNECTOR	SFW__R-4ST__LF	SEE ATTACHED DWG.	2000	UPPER CONTACT TYPE

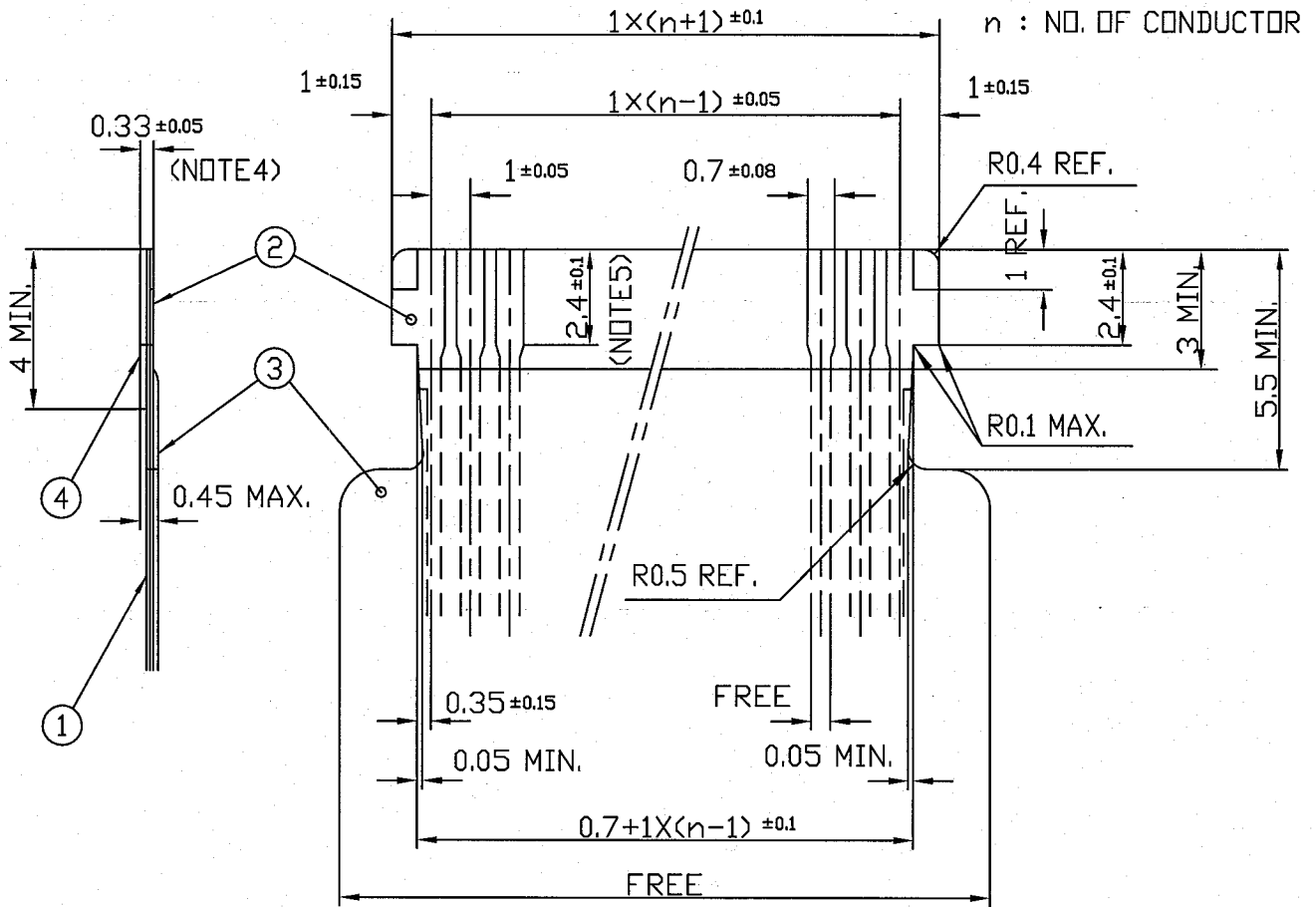
NOTES

- THIS IS PLASTIC TAPE PACKAGED CONNECTOR WITH CABLE LOCK MECHANISM USED FOR FPC/FFC AND COPEs WITH AUTOMATIC MOUNTING (SMT).
- SEE JIS C 0806 (PACKING OF ELECTRONIC COMPONENTS ON CONTINUOUS TAPES (SURFACE MOUNTING DEVICES)) FOR SHAPE AND DIMENSIONS OF PLASTIC (EMBOSS) TAPE AND REEL.
- E DIMENSION IS PORTION OF THE CORE.

SHEET INDEX	ISSUE	AA														
	SH NO.	1														
TOLERANCES UNLESS OTHERWISE SPECIFIED		DR	A. KOBAYASHI		DATE	2/4/05		CUSTOMER COPY		TITLE PLASTIC TAPE PACKAGED 1mm SPACING SMT CONNECTOR (Cat. No. SFW__R-4STE1 LF)						
LINEAR		ENGR	<i>[Signature]</i>		DATE	2/7/05										
ANGLES		CHK	<i>[Signature]</i>		DATE	2/9/05		THIRD ANGLE PROJ		PRODUCT FAMILY		58JF	CODE JP			
DO NOT SCALE PRINT		APPD	<i>[Signature]</i>		DATE	2/17/05		UNIT		MM	SCALE	SIZE	DWG. NO.	REV	SHEET	
DF-140A REV A		THIS INFORMATION IS CONFIDENTIAL AND IS DISCLOSED TO YOU ON CONDITION THAT NO FURTHER DISCLOSURE IS MADE BY YOU TO OTHER THAN FCI PERSONNEL WITHOUT WRITTEN AUTHORIZATION FROM FCI JAPAN K.K.										-	A	JSA 95865	AA	DF

RECOMMENDED CABLE (FPC)

REVISIONS				
REV	DESCRIPTION	ECN	BY	DATE
1	Plating thickness changed.			9/10/98
AA	Changed form.	J05-0055	H.T	2/4/05



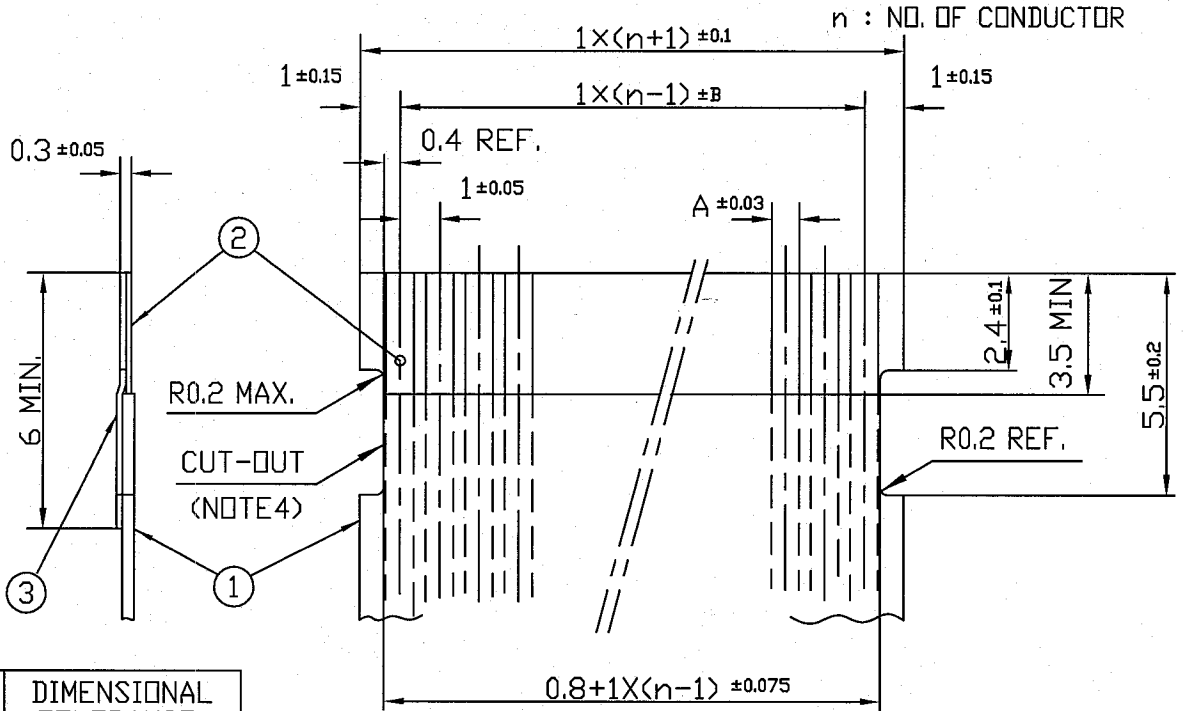
PT. NO.	PARTS NAME	MATERIAL	THICKNESS (μm)
1	BASE FILM	POLYIMIDE OR POLYESTER OR EQUAL	25
2	CONDUCTOR	COPPER FOIL (PLATING : SOLDER 1μm MIN.)	35
3	OVERLAY	POLYIMIDE OR POLYESTER OR EQUAL	—
4	SUPPORTING TAPE	POLYESTER OR POLYIMIDE OR EQUAL	188

- NOTES
- THIS DRAWING INDICATES THE FPC USED THE CONNECTOR WITH CABLE LOCK MECHANISM.
 - NO BURR AT EACH PORTION.
 - NO PEELING IN COMMON USE.
 - TOTAL THICKNESS LIMIT OF EACH MATERIAL (INCLUDING ADHESIVE AGENT) IS SPECIFIED.
 - THIS DIMENSION INDICATES THE RANGE FOR 0.7±0.08 CONDUCTOR WIDTH.

SHEET INDEX	ISSUE	AA											TITLE RECOMMENDED CABLE (Cat. No. SFW__R-3/4__) PRODUCT FAMILY	CODE JP		
	SH NO.	1														
TOLERANCES UNLESS OTHERWISE SPECIFIED		DR	A. KOBAYASHI		DATE	2/4/05		CUSTOMER COPY								
LINEAR			ENGR	<i>H. Kobayashi</i>		DATE	2/7/05		THIRD ANGLE PROJ							
			CHK	<i>H. Kobayashi</i>		DATE	2/7/05		UNIT							
ANGLES			APPT	<i>M. Kobayashi</i>		DATE	2/7/05		MM INCH							
DO NOT SCALE PRINT		THIS INFORMATION IS CONFIDENTIAL AND IS DISCLOSED TO YOU ON CONDITION THAT NO FURTHER DISCLOSURE IS MADE BY YOU TO OTHER THAN FCI PERSONNEL WITHOUT WRITTEN AUTHORIZATION FROM FCI JAPAN K.K.										SCALE	SIZE	DWG. NO.	REV	SHEET
DF-140A REV A												-	A	JSA 93212	AA	0F

RECOMMENDED CABLE (FFC)

REVISIONS				
REV	DESCRIPTION	ECN	BY	DATE
AA	Changed form.	J05-0055	H.T	2/4/05



KIND OF FFC (NOTE 5)	DIMENSIONAL TOLERANCE	
	A	B
1	0.7	0.1
2	0.6	0.07

PT. NO.	PARTS NAME	MATERIAL	NOTE
1	INSULATOR	FLAME RESISTING POLYESTER OR EQUAL	_____
2	CONDUCTOR	COPPER FOIL	PLATING: TIN OR SOLDER 1μm MIN.
3	SUPPORTING TAPE	FLAME RESISTING POLYESTER OR EQUAL	_____

- NOTES
1. THIS DRAWING INDICATES THE FFC USED THE CONNECTOR WITH CABLE LOCK MECHANISM.
 2. NO BURR AT EACH PORTION.
 3. NO PEELING IN COMMON USE.
 4. THERE IS A POSSIBILITY THAT THE CUT-OUT CROSSES THE CONDUCTOR BECAUSE OF DIMENSIONAL TOLERANCE.
 5. EITHER KIND1 OR KIND2 OF FFC CAN ACCEPT DIMENSIONAL TOLERANCE a AND b.

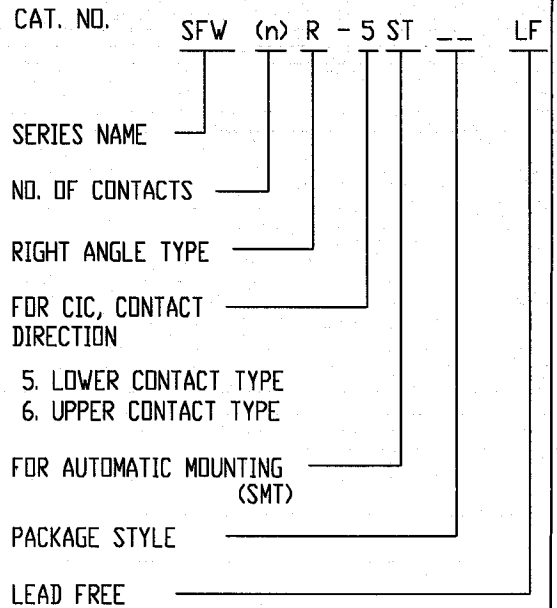
SHEET INDEX	ISSUE	AA															
	SH NO.	1															
TOLERANCES UNLESS OTHERWISE SPECIFIED		DR	A. KOBAYASHI		DATE	2/4/05		CUSTOMER COPY	TITLE								
LINEAR			ENGR	<i>H. Takahashi</i>		DATE	2/7/05			RECOMMENDED CABLE							
			CHK	<i>H. Takahashi</i>		DATE	2/7/05			(Cat. No. SFW__R-3/4__)							
ANGLES			APPD	<i>M. Takahashi</i>		DATE	2/7/05		THIRD ANGLE PROJ	PRODUCT FAMILY							
									UNIT	CODE JP							
DO NOT SCALE PRINT		THIS INFORMATION IS CONFIDENTIAL AND IS DISCLOSED TO YOU ON CONDITION THAT NO FURTHER DISCLOSURE IS MADE BY YOU TO OTHER THAN FCI PERSONNEL WITHOUT WRITTEN AUTHORIZATION FROM FCI JAPAN KK.										SCALE	SIZE	DWG. NO.	REV	SHEET	
DF-140A REV A												-	A	JSA 93213	AA	OF	

REVISIONS

REV	DESCRIPTION	ECN	BY	DATE
AA	Changed CAT.NO.	J05-0055	H.T.	2/4/05

CAT. NO. & DIMENSIONS

NO. OF CONTACTS (n)	CAT. NO.	DIMENSIONS (NOTE2)			
		A ± 0.2	B ± 0.2	C ± 0.2	D ± 0.1
4	SFW4R-5/6ST__LF	9.8	8.6	3.0	5.3
5	SFW5R-5/6ST__LF	10.8	9.6	4.0	6.3
6	SFW6R-5/6ST__LF	11.8	10.6	5.0	7.3
7	SFW7R-5/6ST__LF	12.8	11.6	6.0	8.3
8	SFW8R-5/6ST__LF	13.8	12.6	7.0	9.3
9	SFW9R-5/6ST__LF	14.8	13.6	8.0	10.3
10	SFW10R-5/6ST__LF	15.8	14.6	9.0	11.3
11	SFW11R-5/6ST__LF	16.8	15.6	10.0	12.3
12	SFW12R-5/6ST__LF	17.8	16.6	11.0	13.3
13	SFW13R-5/6ST__LF	18.8	17.6	12.0	14.3
14	SFW14R-5/6ST__LF	19.8	18.6	13.0	15.3
15	SFW15R-5/6ST__LF	20.8	19.6	14.0	16.3
16	SFW16R-5/6ST__LF	21.8	20.6	15.0	17.3
17	SFW17R-5/6ST__LF	22.8	21.6	16.0	18.3
18	SFW18R-5/6ST__LF	23.8	22.6	17.0	19.3
19	SFW19R-5/6ST__LF	24.8	23.6	18.0	20.3
20	SFW20R-5/6ST__LF	25.8	24.6	19.0	21.3
21	SFW21R-5/6ST__LF	26.8	25.6	20.0	22.3
22	SFW22R-5/6ST__LF	27.8	26.6	21.0	23.3
23	SFW23R-5/6ST__LF	28.8	27.6	22.0	24.3
24	SFW24R-5/6ST__LF	29.8	28.6	23.0	25.3
25	SFW25R-5/6ST__LF	30.8	29.6	24.0	26.3
26	SFW26R-5/6ST__LF	31.8	30.6	25.0	27.3
27	SFW27R-5/6ST__LF	32.8	31.6	26.0	28.3
28	SFW28R-5/6ST__LF	33.8	32.6	27.0	29.3
29	SFW29R-5/6ST__LF	34.8	33.6	28.0	30.3
30	SFW30R-5/6ST__LF	35.8	34.6	29.0	31.3



NOTES

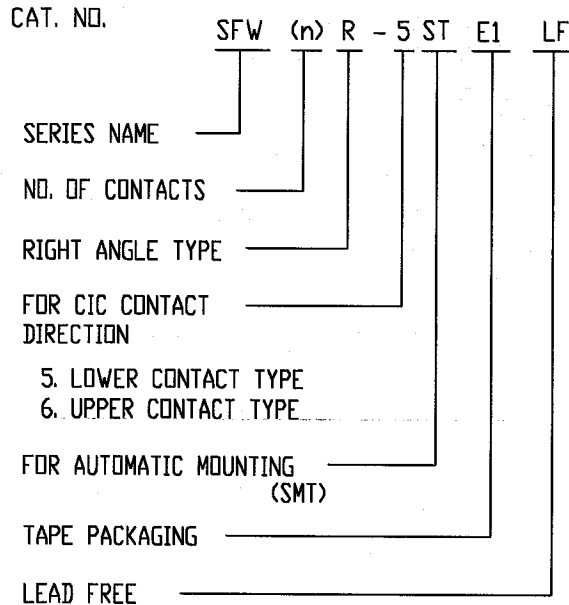
1. THIS PRODUCT IS THE CONNECTOR USED FOR CIC AND COPEES WITH AUTOMATIC MOUNTING (SMT).
2. SEE PART DRAWINGS FOR DIMENSIONS A~D.

SHEET INDEX	ISSUE	AA															
	SH NO.	1															
TOLERANCES UNLESS OTHERWISE SPECIFIED			DR	M. MIZUTANI		DATE	2/4/05	CUSTOMER COPY		TITLE							
			ENGR							CAT. NO. TABLE FOR							
LINEAR			CHK	<i>H. Takahashi</i>			2/7/05	THIRD ANGLE PROJ		1mm SPACING SMT CONNECTOR							
			APPD	<i>H. Takahashi</i>			2/7/05	UNIT		(CAT.NO. SFW__R-5/6ST__LF)							
ANGLES				<i>H. Takahashi</i>			2/7/05	MM		PRODUCT FAMILY							
				<i>H. Takahashi</i>				INCH		58JF							
DO NOT SCALE PRINT			THIS INFORMATION IS CONFIDENTIAL AND IS DISCLOSED TO YOU ON CONDITION THAT NO FURTHER DISCLOSURE IS MADE BY YOU TO OTHER THAN FCI PERSONNEL WITHOUT WRITTEN AUTHORIZATION FROM FCI JAPAN K.K.										SCALE	SIZE	DWG. NO.	REV	SHEET
DF-140A REV A													X	A	JSA 95866	AA	1 OF 1

REVISIONS				
REV	DESCRIPTION	ECN	BY	DATE
AA	Changed CAT.NO.	J05-0055	H.T.	2/4/05

CAT. NO. & DIMENSIONS

NO. OF CONTACTS (n)	CAT. NO. (NOTE2)	DIMENSIONS (NOTE3)		
		E ± 5	F ± 0.3	G ± 0.1
4	SFW4R-5/6STE1LF	20.4	16	—
5	SFW5R-5/6STE1LF	28.4	24	—
6	SFW6R-5/6STE1LF	28.4	24	—
7	SFW7R-5/6STE1LF	28.4	24	—
8	SFW8R-5/6STE1LF	28.4	24	—
9	SFW9R-5/6STE1LF	28.4	24	—
10	SFW10R-5/6STE1LF	28.4	24	—
11	SFW11R-5/6STE1LF	28.4	24	—
12	SFW12R-5/6STE1LF	28.4	24	—
13	SFW13R-5/6STE1LF	36.4	32	28.4
14	SFW14R-5/6STE1LF	36.4	32	28.4
15	SFW15R-5/6STE1LF	36.4	32	28.4
16	SFW16R-5/6STE1LF	36.4	32	28.4
17	SFW17R-5/6STE1LF	48.4	44	40.4
18	SFW18R-5/6STE1LF	48.4	44	40.4
19	SFW19R-5/6STE1LF	48.4	44	40.4
20	SFW20R-5/6STE1LF	48.4	44	40.4
21	SFW21R-5/6STE1LF	48.4	44	40.4
22	SFW22R-5/6STE1LF	48.4	44	40.4
23	SFW23R-5/6STE1LF	48.4	44	40.4
24	SFW24R-5/6STE1LF	48.4	44	40.4
25	SFW25R-5/6STE1LF	48.4	44	40.4
26	SFW26R-5/6STE1LF	48.4	44	40.4
27	SFW27R-5/6STE1LF	48.4	44	40.4
28	SFW28R-5/6STE1LF	60.4	56	52.4
29	SFW29R-5/6STE1LF	60.4	56	52.4
30	SFW30R-5/6STE1LF	60.4	56	52.4



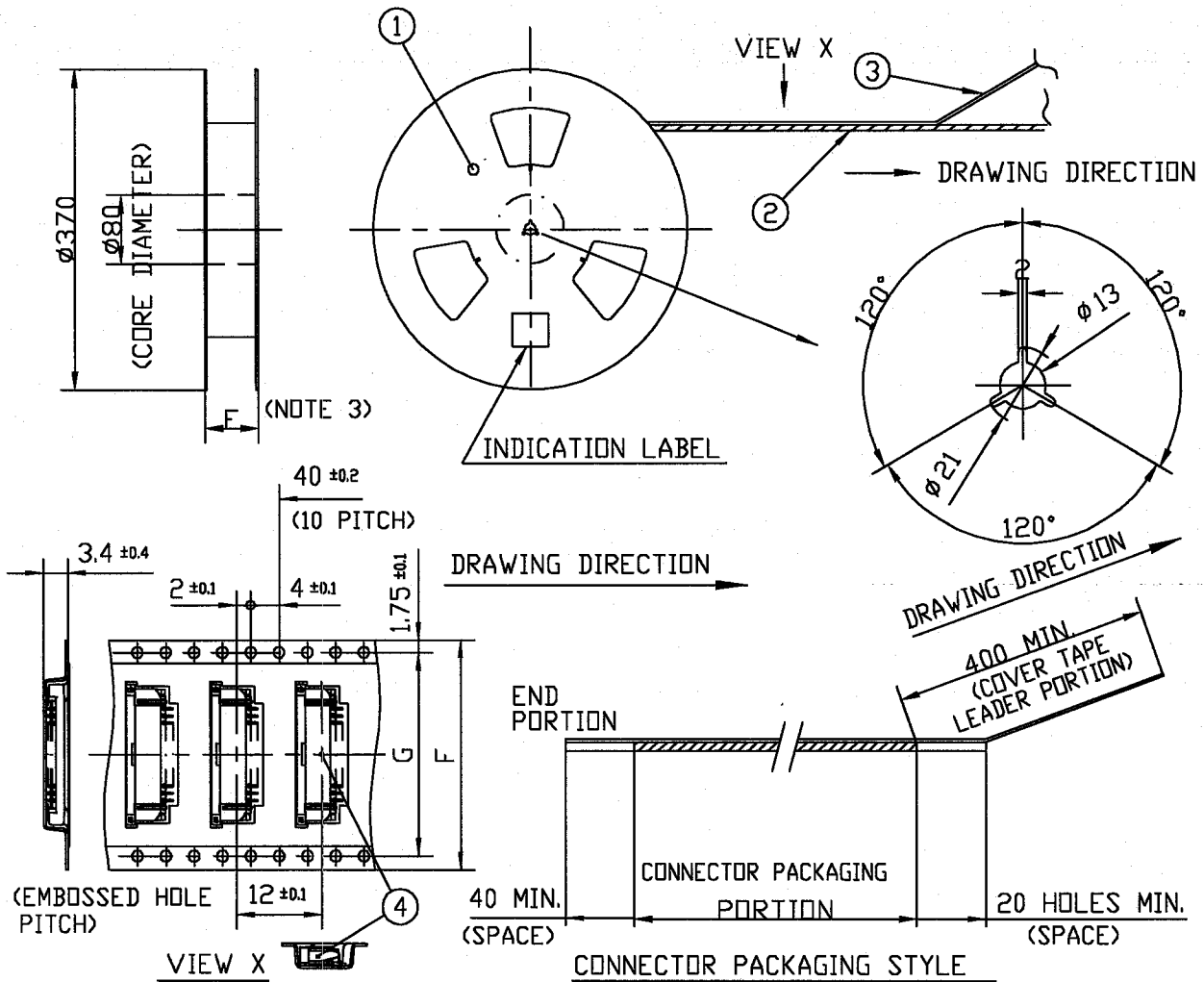
NOTES

1. THIS PRODUCT IS THE CONNECTOR USED FOR CIC AND COPEs WITH AUTOMATIC MOUNTING (SMT).
2. THIS CATALOG NO. INDICATES PLASTIC TAPE PACKAGED CONNECTOR.
3. SEE PART DRAWINGS FOR DIMENSIONS E~G.

SHEET INDEX	ISSUE	AA											A FCI						
	SH NO.	1																	
TOLERANCES UNLESS OTHERWISE SPECIFIED		DR		DATE		CUSTOMER COPY		TITLE CAT. NO. TABLE FOR PLASTIC TAPE PACKAGED 1mm SPACING SMT CONNECTOR (CAT.NO. SFW_R-5/6STE1LF)											
		M. MIZUTANI		2/4/05															
LINEAR	ENGR		H. SAKAKURA		DATE		2/7/05		THIRD ANGLE PROJ		PRODUCT FAMILY		58JF		CODE JP				
	CHK		H. SAKAKURA		DATE		2/7/05												
ANGLES		APPD		M. Hasegawa		DATE		2/17/05		UNIT		MM		REV		SHEET			
										SCALE		X		SIZE		A			
DO NOT SCALE PRINT		THIS INFORMATION IS CONFIDENTIAL AND IS DISCLOSED TO YOU ON CONDITION THAT NO FURTHER DISCLOSURE IS MADE BY YOU TO OTHER THAN FCI PERSONNEL WITHOUT WRITTEN AUTHORIZATION FROM FCI JAPAN KK.										DWG. NO.		JSA 95869		REV		AA	
DF-14DA REV A		SC-SFW12 JSA95866 95870 95871																1 OF 1	

TOLERANCES
UNLESS OTHERWISE SPECIFIED?±5, ANGLE ±5 °

REVISIONS				
REV	DESCRIPTION	ECN	BY	DATE
AA	Changed CAT.NO.	J05-0055	H.T.	2/4/05



PT. NO.	PARTS NAME	CAT. NO.	MATERIAL	Q'TY	NOTE
1	REEL	—	CARDBOARD	1	COLOR:WHITE
2	PLASTIC (EMBOSS) TAPE	—	PET	—	COLOR:TRANSPARENCY
3	COVER	—	POLYESTER	—	COLOR:TRANSPARENCY
4	CONNECTOR	SFW_R-5ST_LF	SEE ATTACHED DWG	2000	LOWER CONTACT TYPE

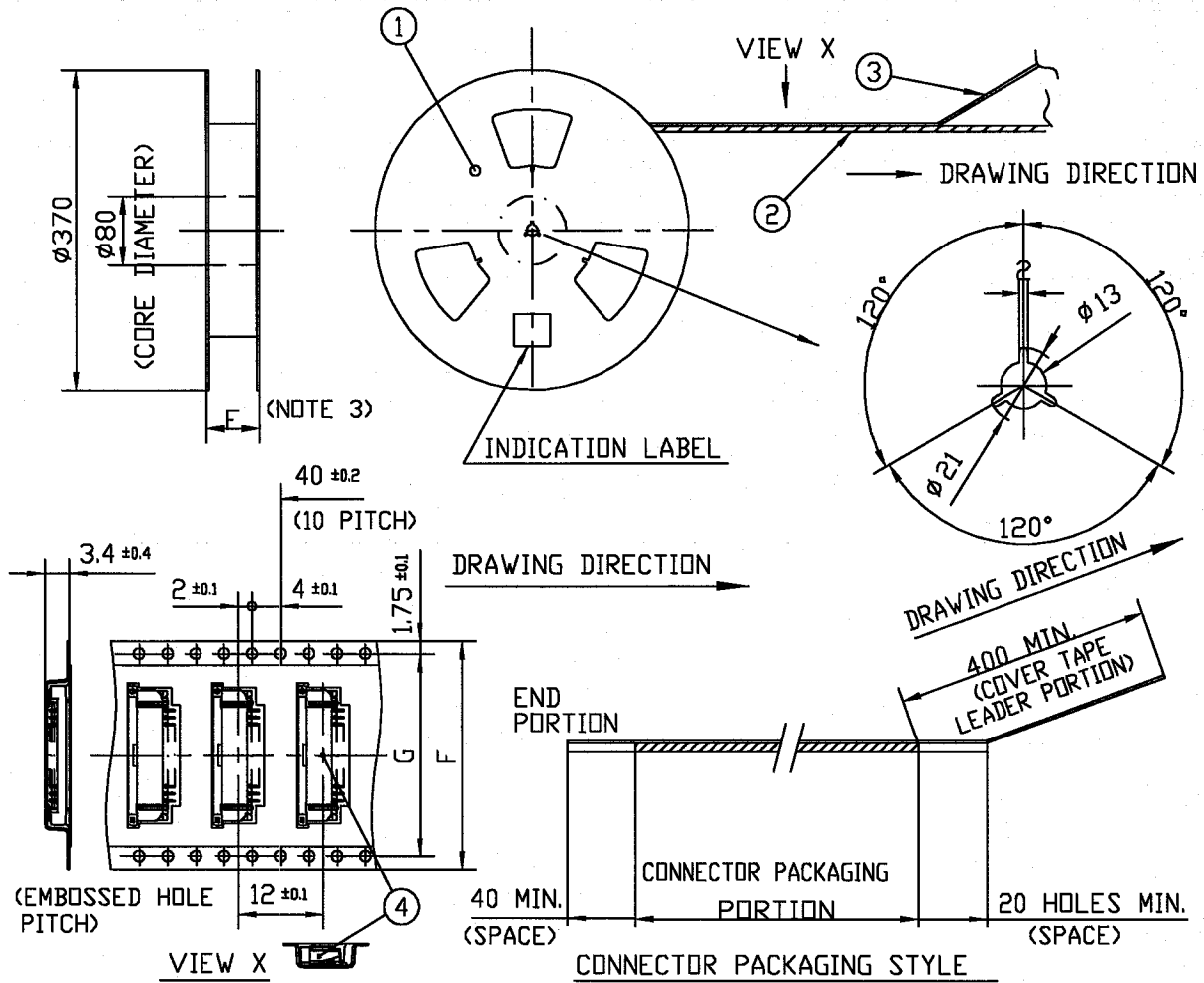
NOTES

1. THIS IS PLASTIC TAPE PACKAGED CONNECTOR USED FOR CIC AND COPEs WITH AUTOMATIC MOUNTING (SMT).
2. SEE JIS C 0806 (PACKING OF ELECTRONIC COMPONENTS ON CONTINUOUS TAPES (SURFACE MOUNTING DEVICES)) FOR SHAPE AND DIMENSIONS OF PLASTIC (EMBOSS) TAPE AND REEL.
3. E DIMENSION IS PORTION OF THE CORE.

SHEET INDEX	ISSUE	AA										A FCI				
	SH NO.	1														
TOLERANCES UNLESS OTHERWISE SPECIFIED		DR	M. MIZUTANI	DATE	2/4/05	CUSTOMER COPY	TITLE									
LINEAR		ENGR				 THIRD ANGLE PROJ	PLASTIC TAPE PACKAGED 1mm SPACING SMT CONNECTOR (CAT. NO. SFW_R-5STE1LF)									
		CHK														
		APPD														
ANGLES						UNIT	MM	PRODUCT FAMILY	58JF	CODE JP						
DO NOT SCALE PRINT		THIS INFORMATION IS CONFIDENTIAL AND IS DISCLOSED TO YOU ON CONDITION THAT NO FURTHER DISCLOSURE IS MADE BY YOU TO OTHER THAN FCI PERSONNEL WITHOUT WRITTEN AUTHORIZATION FROM FCI JAPAN K.K.					SCALE	χ	SIZE	A	DWG. NO.	JSA 95870	REV	AA	SHEET	1 OF 1

TOLERANCES
UNLESS OTHERWISE SPECIFIED: ±0.1, ANGLE ±5°

REVISIONS				
REV	DESCRIPTION	ECN	BY	DATE
AA	Changed CAT.NO.	J05-0055	H.T.	2/4/'05



PT. NO.	PARTS NAME	CAT. NO.	MATERIAL	Q'TY	NOTE
1	REEL	—	CARDBOARD	1	COLOR:WHITE
2	PLASTIC (EMBOSS) TAPE	—	PET	—	COLOR:TRANSPARENCY
3	COVER	—	POLYESTER	—	COLOR:TRANSPARENCY
4	CONNECTOR	SFW_R-6ST_LF	SEE ATTACHED DWG	2000	UPPER CONTACT TYPE

NOTES

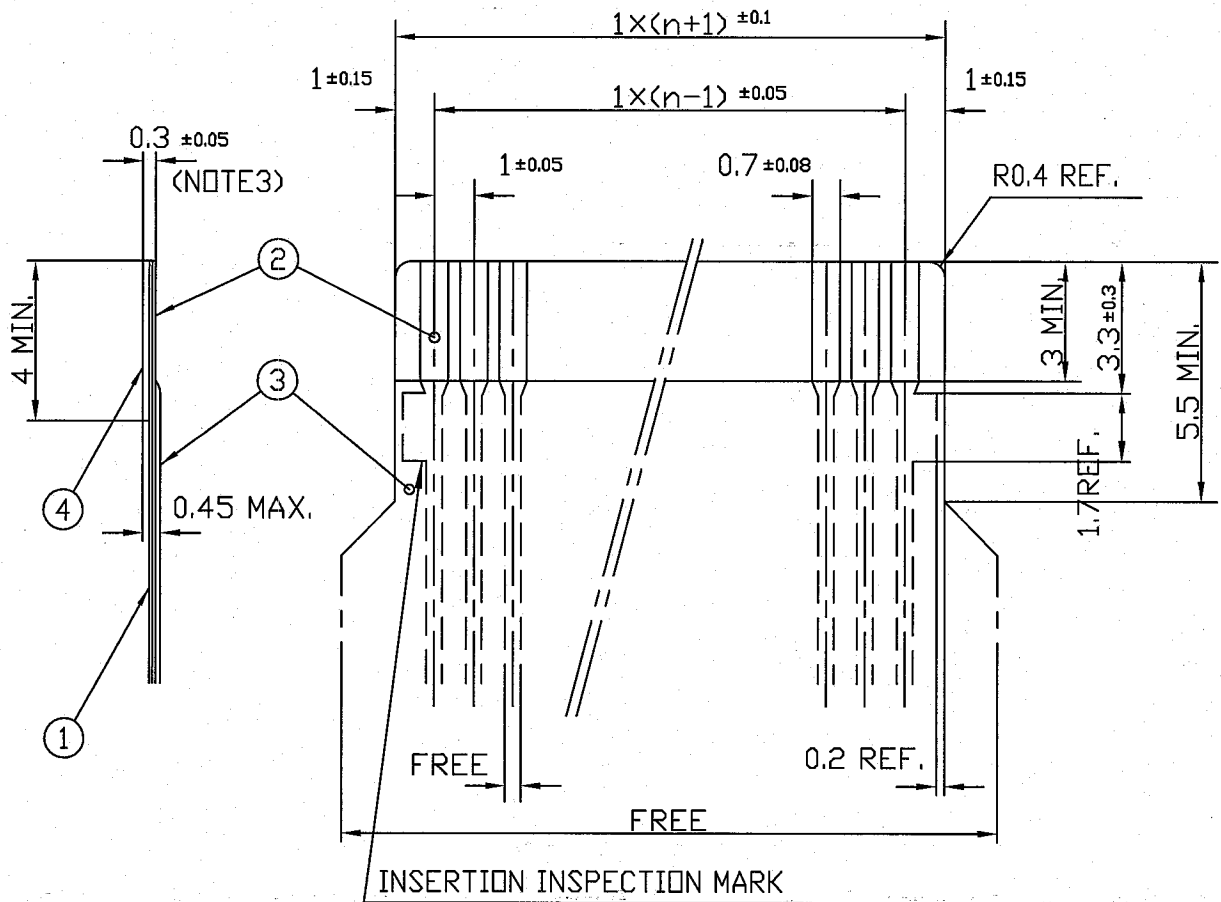
- THIS IS PLASTIC TAPE PACKAGED CONNECTOR USED FOR CIC AND COPES WITH AUTOMATIC MOUNTING (SMT).
- SEE JIS C 0806 (PACKING OF ELECTRONIC COMPONENTS ON CONTINUOUS TAPES (SURFACE MOUNTING DEVICES)) FOR SHAPE AND DIMENSIONS OF PLASTIC (EMBOSS) TAPE AND REEL.
- E DIMENSION IS PORTION OF THE CORE.

SHEET INDEX	ISSUE	AA								A FCI					
	SH NO.	1													
TOLERANCES UNLESS OTHERWISE SPECIFIED			DR	M. MIZUTANI	DATE	2/4/'05	CUSTOMER COPY	TITLE							
LINEAR			ENGR	<i>[Signature]</i>	DATE	2/16/05	THIRD ANGLE PROJ	PLASTIC TAPE PACKAGED 1mm SPACING SMT CONNECTOR (CAT.NO. SFW_R-6STE1LF)							
			CHK	<i>[Signature]</i>	DATE	2/16/05		PRODUCT FAMILY							
			APP'D	<i>[Signature]</i>	DATE	2/17/05		58JF	CODE JP						
ANGLES			<i>[Signature]</i>			DATE	2/17/05	UNIT	MM	SCALE	SIZE	DWG. NO.	REV	SHEET	
DO NOT SCALE PRINT THIS INFORMATION IS CONFIDENTIAL AND IS DISCLOSED TO YOU ON CONDITION THAT NO FURTHER DISCLOSURE IS MADE BY YOU TO OTHER THAN FCI PERSONNEL WITHOUT WRITTEN AUTHORIZATION FROM FCI JAPAN K.K.											SCALE	SIZE	DWG. NO.	REV	SHEET
DF-140A REV A											∕	A	JSA 95871	AA	1 OF 1

RECOMMENDED CABLE (CIC)

REVISIONS				
REV	DESCRIPTION	ECN	BY	DATE
1	Insertion inspection mark added.			4/12/93
AA	Changed form.	J05-0055	H.T	2/4/05

n : NO. OF CONDUCTOR



PT. NO.	PARTS NAME	MATERIAL	THICKNESS (μm)	
1	BASE FILM	POLYESTER OR EQUAL	75	25
2	CONDUCTOR	CARBON PASTE OVER SILVER PASTE	10 MIN.	
3	OVERLAY	POLYIMIDE OR POLYESTER OR EQUAL	—	
4	SUPPORTING TAPE	POLYESTER OR POLYIMIDE OR EQUAL	188	250

- NOTES
1. NO BURR AT EACH PORTION.
 2. NO PEELING IN COMMON USE.
 3. TOTAL THICKNESS LIMIT OF EACH MATERIAL (INCLUDING ADHESIVE AGENT) IS SPECIFIED.

SHEET INDEX	ISSUE	AA										
	SH NO.	1										
LINEAR	TOLERANCES UNLESS OTHERWISE SPECIFIED	DR	A. KOBAYASHI	DATE	2/4/05	CUSTOMER COPY	TITLE					
		ENGR	<i>[Signature]</i>		2/7/05	 THIRD ANGLE PROJ.	RECOMMENDED CABLE					
		CHK	<i>[Signature]</i>		2/7/05		(Cat. No. SFW__R-5/6__)					
ANGLES	APPR	<i>[Signature]</i>		2/7/05	UNIT		MM	PRODUCT FAMILY			CODE JP	
DO NOT SCALE PRINT		THIS INFORMATION IS CONFIDENTIAL AND IS DISCLOSED TO YOU ON CONDITION THAT NO FURTHER DISCLOSURE IS MADE BY YOU TO OTHER THAN FCI PERSONNEL WITHOUT WRITTEN AUTHORIZATION FROM FCI JAPAN K.K.					SCALE	SIZE	DWG. NO.	REV	SHEET	
DF-140A REV A							-	A	JSA 91675	AA	0F	