



15ppm/°C Max, 100µA, SOT23-3 SERIES VOLTAGE REFERENCE

FEATURES

- **MicroSIZE PACKAGE:** SOT23-3
- **LOW DROPOUT:** 5mV
- **HIGH OUTPUT CURRENT:** ±10mA
- **HIGH ACCURACY:** 0.2% max
- **LOW I_Q:** 115µA max
- **EXCELLENT SPECIFIED DRIFT PERFORMANCE:**
 - 15ppm/°C (max) from 0°C to +70°C
 - 20ppm/°C (max) from -40°C to +125°C

APPLICATIONS

- PORTABLE, BATTERY-POWERED EQUIPMENT
- DATA ACQUISITION SYSTEMS
- MEDICAL EQUIPMENT
- HAND-HELD TEST EQUIPMENT

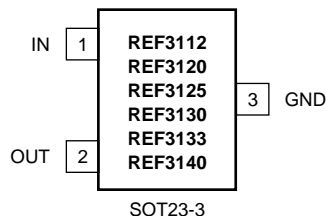
DESCRIPTION

The REF31xx is a family of precision, low power, low dropout, series voltage references available in the tiny SOT23-3 package.

The REF31xx's small size and low power consumption (100µA typ) make it ideal for portable and battery-powered applications. The REF31xx does not require a load capacitor, but is stable with any capacitive load and can sink/source up to 10mA of output current.

Unloaded, the REF31xx can be operated on supplies down to 5mV above the output voltage. All models are specified for the wide temperature range of -40°C to +125°C.

PRODUCT	VOLTAGE (V)
REF3112	1.25
REF3120	2.048
REF3125	2.5
REF3130	3.0
REF3133	3.3
REF3140	4.096



Please be aware that an important notice concerning availability, standard warranty, and use in critical applications of Texas Instruments semiconductor products and disclaimers thereto appears at the end of this data sheet.

All trademarks are the property of their respective owners.

ABSOLUTE MAXIMUM RATINGS⁽¹⁾

Supply Voltage, V+ to V-	7.0V
Output Short-Circuit	Continuous
Operating Temperature	-55°C to +135°C
Storage Temperature	-65°C to +150°C
Junction Temperature	+150°C

NOTES: (1) Stresses above these ratings may cause permanent damage. Exposure to absolute maximum conditions for extended periods may degrade device reliability. These are stress ratings only, and functional operation of the device at these, or any other conditions beyond those specified, is not implied.



ELECTROSTATIC DISCHARGE SENSITIVITY

This integrated circuit can be damaged by ESD. Texas Instruments recommends that all integrated circuits be handled with appropriate precautions. Failure to observe proper handling and installation procedures can cause damage.

ESD damage can range from subtle performance degradation to complete device failure. Precision integrated circuits may be more susceptible to damage because very small parametric changes could cause the device not to meet its published specifications.

PACKAGE/ORDERING INFORMATION⁽¹⁾

PRODUCT	PACKAGE-LEAD	PACKAGE DESIGNATOR	SPECIFIED TEMPERATURE RANGE	PACKAGE MARKING	ORDERING NUMBER	TRANSPORT MEDIA, QUANTITY
REF3112	SOT23-3	DBZ	-40°C to +125°C	R31A	REF3112AIDBZT	Tape and Reel, 250
"	"	"	"	"	REF3112AIDBZR	Tape and Reel, 3000
REF3120	SOT23-3	DBZ	-40°C to +125°C	R31B	REF3120AIDBZT	Tape and Reel, 250
"	"	"	"	"	REF3120AIDBZR	Tape and Reel, 3000
REF3125	SOT23-3	DBZ	-40°C to +125°C	R31C	REF3125AIDBZT	Tape and Reel, 250
"	"	"	"	"	REF3125AIDBZR	Tape and Reel, 3000
REF3130	SOT23-3	DBZ	-40°C to +125°C	R31E	REF3130AIDBZT	Tape and Reel, 250
"	"	"	"	"	REF3130AIDBZR	Tape and Reel, 3000
REF3133	SOT23-3	DBZ	-40°C to +125°C	R31F	REF3133AIDBZT	Tape and Reel, 250
"	"	"	"	"	REF3133AIDBZR	Tape and Reel, 3000
REF3140	SOT23-3	DBZ	-40°C to +125°C	R31D	REF3140AIDBZT	Tape and Reel, 250
"	"	"	"	"	REF3140AIDBZR	Tape and Reel, 3000

NOTE: (1) (1) For the most current package and ordering information, see the Package Option Addendum at the end of this document, or see the TI website at www.ti.com.

ELECTRICAL CHARACTERISTICS

Boldface limits apply over the specified temperature range, $T_A = -40^\circ\text{C}$ to $+125^\circ\text{C}$.

At $T_A = +25^\circ\text{C}$, $I_{\text{LOAD}} = 0\text{mA}$, $V_{\text{IN}} = 5\text{V}$, unless otherwise noted.

PARAMETER	CONDITIONS	REF31xx			UNITS
		MIN	TYP	MAX	
REF3112⁽¹⁾ - 1.25V					
OUTPUT VOLTAGE Initial Accuracy	V_{OUT}	1.2475 -0.2	1.25	1.2525 0.2	V %
NOISE Output Voltage Noise Voltage Noise	$f = 0.1\text{Hz}$ to 10Hz $f = 10\text{Hz}$ to 10kHz		17 24		μV_{PP} μV_{rms}
REF3120 - 2.048					
OUTPUT VOLTAGE Initial Accuracy	V_{OUT}	2.0439 -0.2	2.048	2.0521 0.2	V %
NOISE Output Voltage Noise Voltage Noise	$f = 0.1\text{Hz}$ to 10Hz $f = 10\text{Hz}$ to 10kHz		27 39		μV_{PP} μV_{rms}
REF3125 - 2.5V					
OUTPUT VOLTAGE Initial Accuracy	V_{OUT}	2.4950 -0.2	2.50	2.5050 0.2	V %
NOISE Output Voltage Noise Voltage Noise	$f = 0.1\text{Hz}$ to 10Hz $f = 10\text{Hz}$ to 10kHz		33 48		μV_{PP} μV_{rms}

ELECTRICAL CHARACTERISTICS

Boldface limits apply over the specified temperature range, $T_A = -40^{\circ}\text{C}$ to $+125^{\circ}\text{C}$.

At $T_A = +25^{\circ}\text{C}$, $I_{\text{LOAD}} = 0\text{mA}$, $V_{\text{IN}} = +5\text{V}$, unless otherwise noted.

PARAMETER	CONDITIONS	REF31xx			UNITS
		MIN	TYP	MAX	
REF3130 – 3.0V					
OUTPUT VOLTAGE Initial Accuracy	V_{OUT}	2.9940 -0.2	3.0	3.0060 0.2	V %
NOISE Output Voltage Noise Voltage Noise	$f = 0.1\text{Hz to }10\text{Hz}$ $f = 10\text{Hz to }10\text{kHz}$		39 57		μV_{PP} μV_{RMS}
REF3133 – 3.3V					
OUTPUT VOLTAGE Initial Accuracy	V_{OUT}	3.2934 -0.2	3.30	3.3066 0.2	V %
NOISE Output Voltage Noise Voltage Noise	$f = 0.1\text{Hz to }10\text{Hz}$ $f = 10\text{Hz to }10\text{kHz}$		43 63		μV_{PP} μV_{RMS}
REF3140 – 4.096V					
OUTPUT VOLTAGE Initial Accuracy	V_{OUT}	4.0878 -0.2	4.096	4.1042 0.2	V %
NOISE Output Voltage Noise Voltage Noise	$f = 0.1\text{Hz to }10\text{Hz}$ $f = 10\text{Hz to }10\text{kHz}$		53 78		μV_{PP} μV_{RMS}
REF3112, REF3120, REF3125, REF3130, REF3133, REF3140					
OUTPUT VOLTAGE TEMP DRIFT⁽²⁾	dV_{OUT}/dT	$0^{\circ}\text{C} \leq T_A \leq +70^{\circ}\text{C}$ $-40^{\circ}\text{C} \leq T_A \leq +125^{\circ}\text{C}$	5 10	15 20	ppm/°C ppm/°C
LONG-TERM STABILITY		0-1000h	70		ppm
LINE REGULATION		$V_{\text{REF}} + 0.05^{(1)} \leq V_{\text{IN}} \leq 5.5\text{V}$	20	65	ppm/V
LOAD REGULATION⁽³⁾ Sourcing	$dV_{\text{OUT}}/dI_{\text{LOAD}}$	$0\text{mA} < I_{\text{LOAD}} < 10\text{mA}$, $V_{\text{IN}} = V_{\text{REF}} + 250\text{mV}^{(1)}$	10	30	$\mu\text{V}/\text{mA}$
Sinking		$-10\text{mA} < I_{\text{LOAD}} < 0\text{mA}$, $V_{\text{IN}} = V_{\text{REF}} + 100\text{mV}^{(1)}$	20	50	$\mu\text{V}/\text{mA}$
THERMAL HYSTERESIS⁽⁴⁾ First Cycle Additional Cycles		dT	100 25		ppm ppm
DROPOUT VOLTAGE⁽¹⁾	$V_{\text{IN}} - V_{\text{OUT}}$		5	50	mV
OUTPUT CURRENT	I_{LOAD}		-10	10	mA
SHORT-CIRCUIT CURRENT Sourcing Sinking	I_{SC}		50 40		mA mA
TURN-ON SETTLING TIME		to 0.1% at $V_{\text{IN}} = +5\text{V}$ with $C_L = 0$	400		μs
POWER SUPPLY Voltage Quiescent Current Over Temperature	V_S I_Q	$I_L = 0$	$V_{\text{REF}} + 0.05^{(1)}$ 100 115	5.5 115 135	V μA μA
TEMPERATURE RANGE Specified Range Operating Range Storage Range Thermal Resistance SOT23-3 Surface-Mount			-40 -55 -65 336	+125 +135 +150	$^{\circ}\text{C}$ $^{\circ}\text{C}$ $^{\circ}\text{C}$ $^{\circ}\text{C}/\text{W}$

NOTES: (1) Minimum supply voltage for REF3112 is 1.8V.

(2) Box Method used to determine temperature drift.

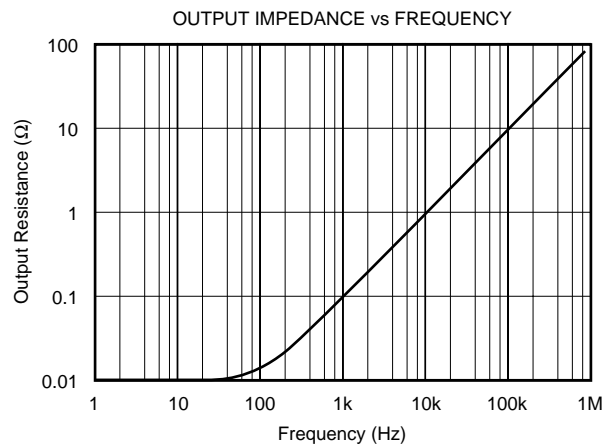
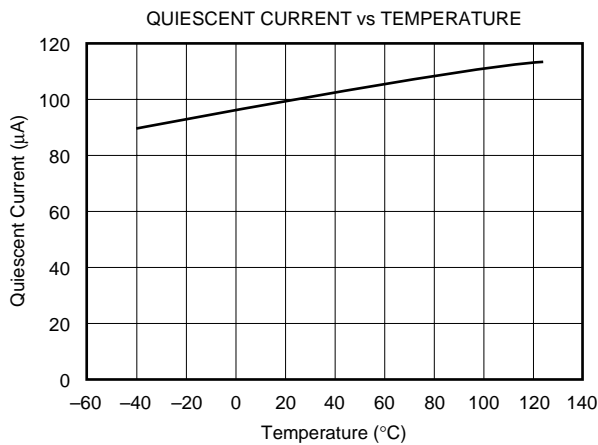
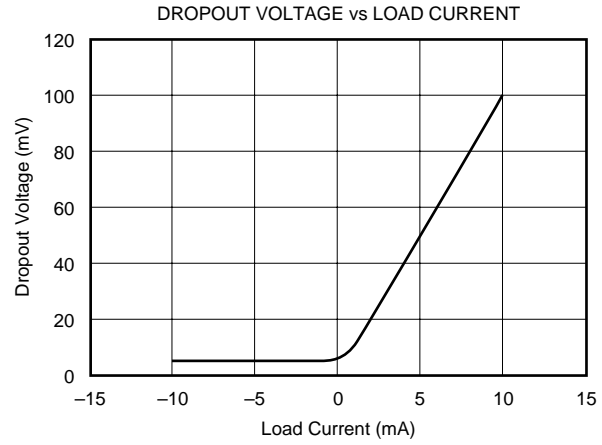
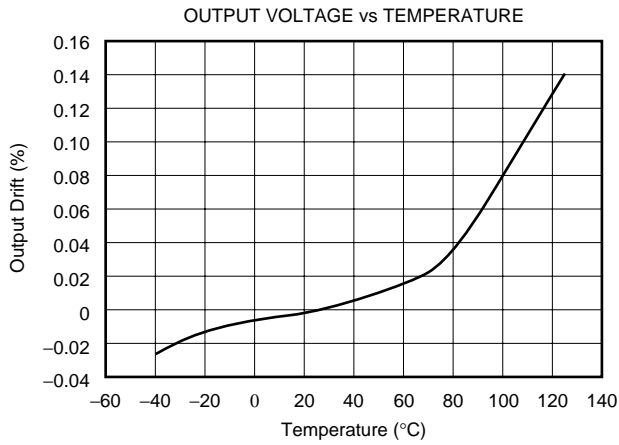
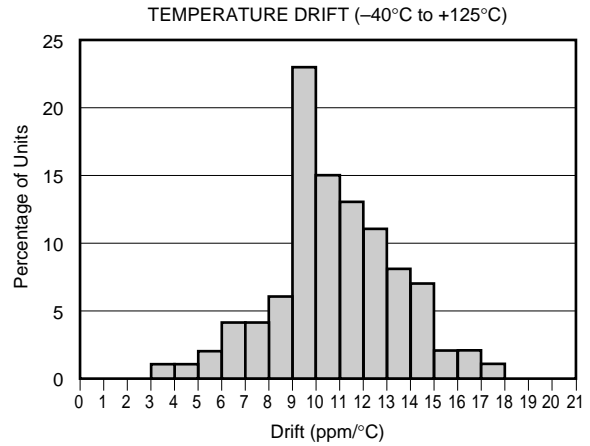
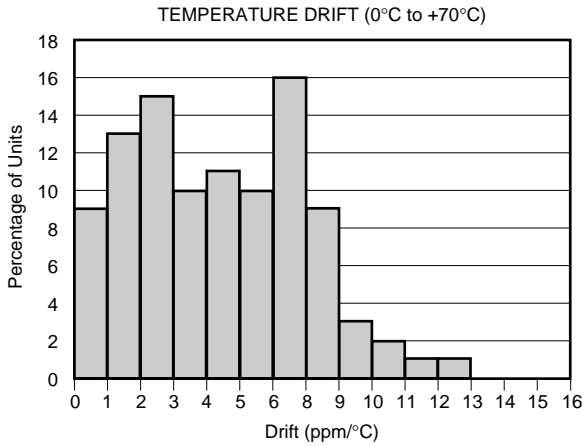
(3) Typical value of load regulation reflects measurements using force and sense contacts; see the *Load Regulation* section.

(4) Thermal hysteresis is explained in more detail in the *Applications Information* section of this data sheet.

(5) For $I_L > 0$, see the Typical Characteristic curves.

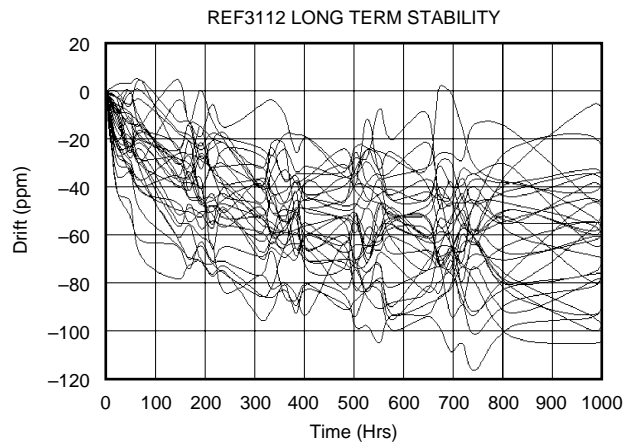
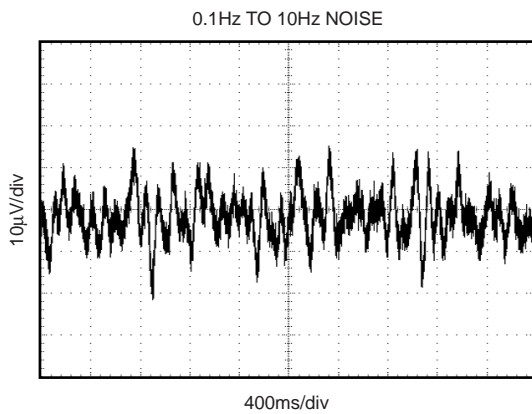
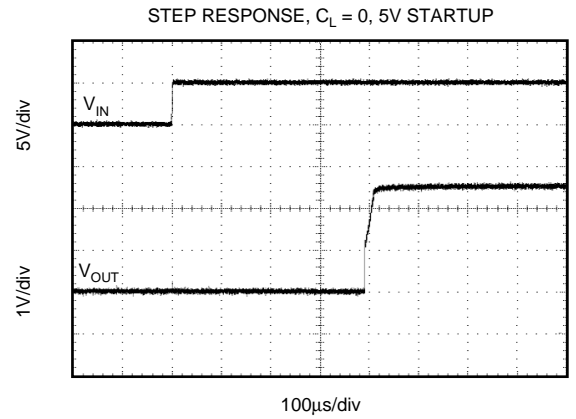
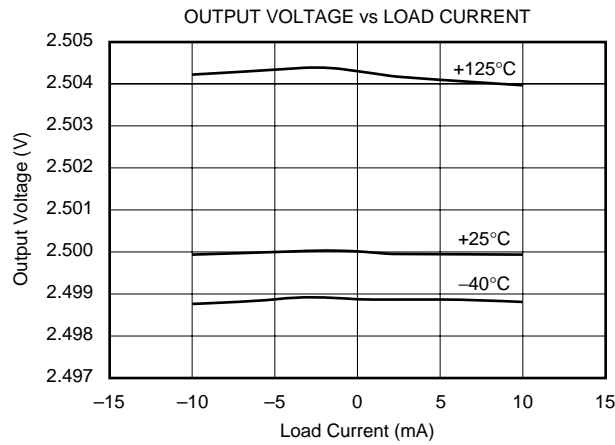
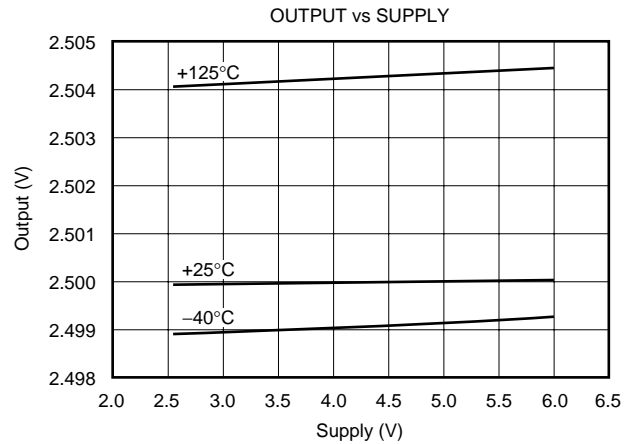
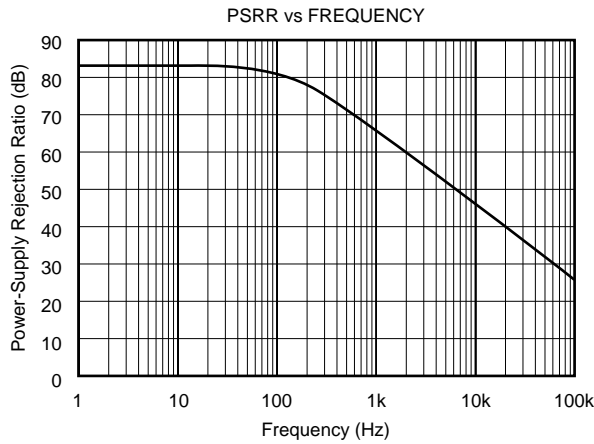
TYPICAL CHARACTERISTICS

At $T_A = +25^\circ\text{C}$, $V_{IN} = +5\text{V}$ power supply, REF3125 is used for typical characteristics, unless otherwise noted.



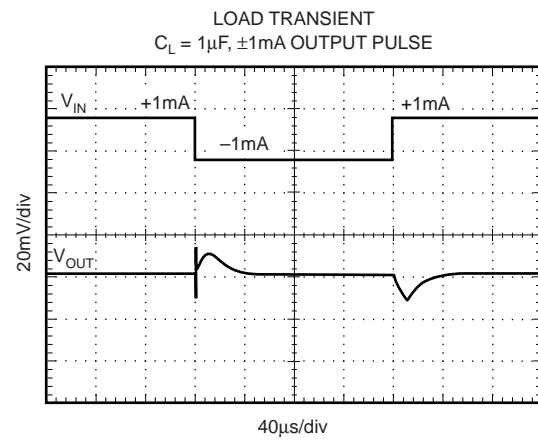
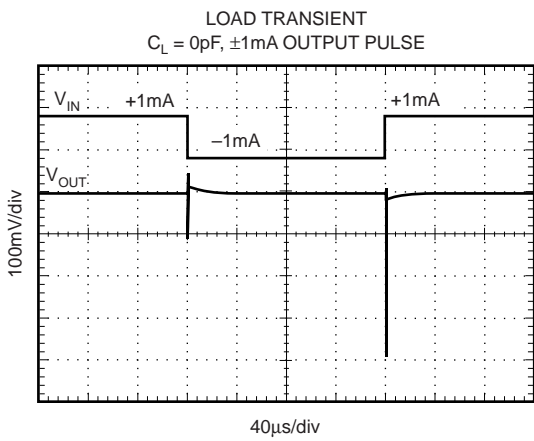
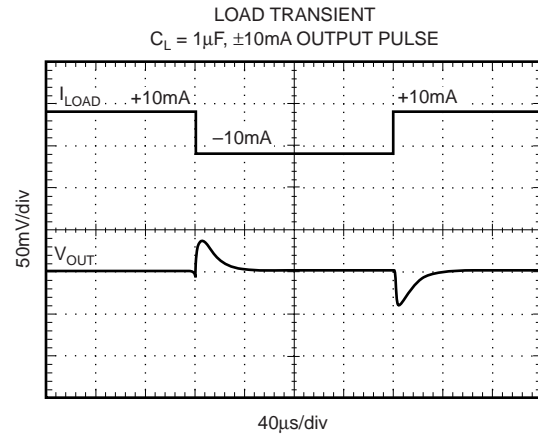
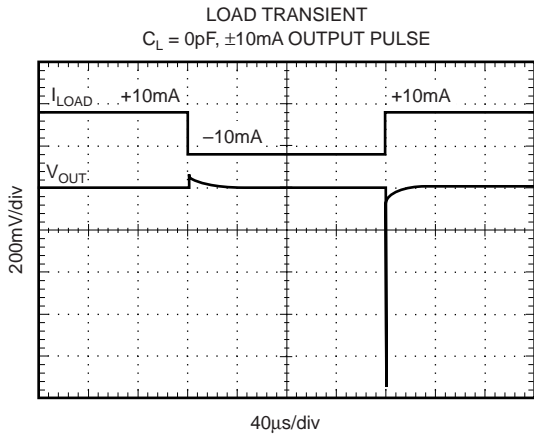
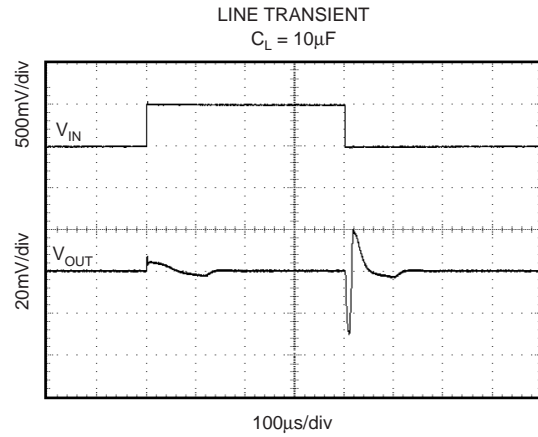
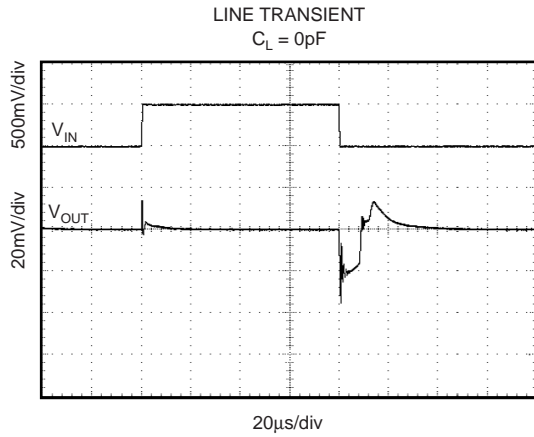
TYPICAL CHARACTERISTICS (Cont.)

At $T_A = +25^\circ\text{C}$, $V_{IN} = +5\text{V}$ power supply, REF3125 is used for typical characteristics, unless otherwise noted.



TYPICAL CHARACTERISTICS (Cont.)

At $T_A = +25^\circ\text{C}$, $V_{IN} = +5\text{V}$ power supply, REF3125 is used for typical characteristics, unless otherwise noted.



THEORY OF OPERATION

The REF31xx is a family of series, CMOS, precision bandgap voltage references. The basic bandgap topology is shown in Figure 1. Transistors Q₁ and Q₂ are biased such that the current density of Q₁ is greater than that of Q₂. The difference of the two base-emitter voltages, V_{be1} – V_{be2}, has a positive temperature coefficient and is forced across resistor R₁. This voltage is gained up and added to the base-emitter voltage of Q₂, which has a negative temperature coefficient. The resulting output voltage is virtually independent of temperature.

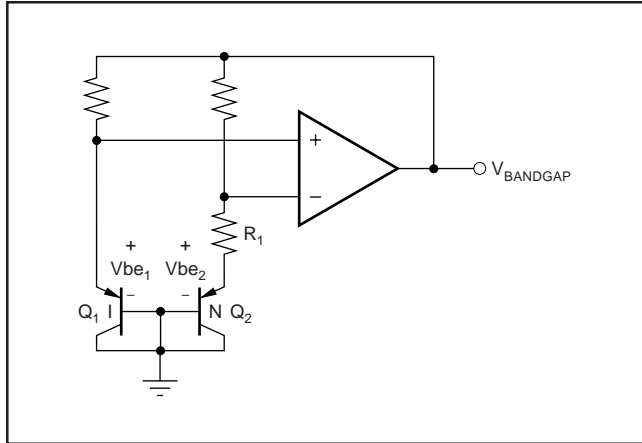


FIGURE 1. Simplified Schematic of Bandgap Reference.

APPLICATION INFORMATION

The REF31xx does not require a load capacitor and is stable with any capacitive load. Figure 2 shows typical connections required for operation of the REF31xx. A supply bypass capacitor of 0.47µF is recommended.

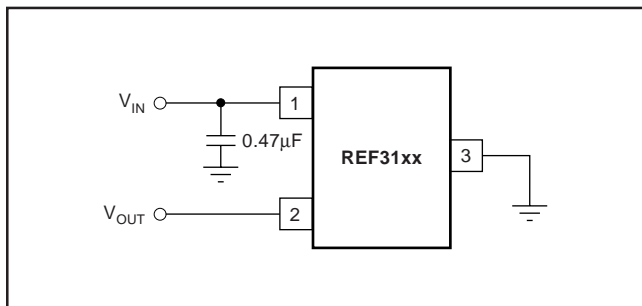


FIGURE 2. Typical Connections for Operating REF31xx.

SUPPLY VOLTAGE

The REF31xx family of references features an extremely low dropout voltage. With the exception of the REF3112, which has a minimum supply requirement of 1.8V, these references can be operated with a supply of only 5mV above the output voltage in an unloaded condition. For loaded conditions, a typical dropout voltage versus load is shown in the typical curves.

The REF31xx features a low quiescent current, which is extremely stable over changes in both temperature and supply. The typical room temperature quiescent current is

100µA, and the maximum quiescent current over temperature is just 135µA. The quiescent current typically changes less than 2µA over the entire supply range, as shown in Figure 3.

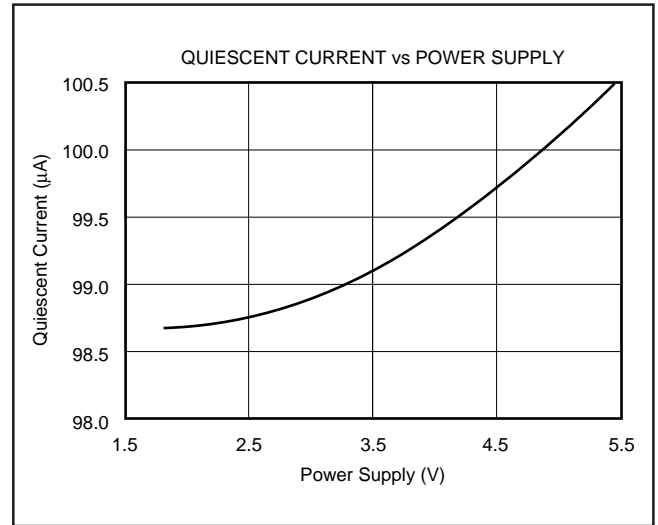


FIGURE 3. Supply Current vs Supply Voltage.

Supply voltages below the specified levels can cause the REF31xx to momentarily draw currents greater than the typical quiescent current. This can be prevented by using a power supply with a fast rising edge and low output impedance.

THERMAL HYSTERESIS

Thermal hysteresis for the REF31xx is defined as the change in output voltage after operating the device at 25°C, cycling the device through the specified temperature range, and returning to 25°C. It can be expressed as:

$$V_{\text{HYST}} = \left(\frac{\text{abs}|V_{\text{PRE}} - V_{\text{POST}}|}{V_{\text{NOM}}} \right) \cdot 10^6 (\text{ppm})$$

Where: V_{HYST} = Thermal hysteresis

V_{PRE} = Output voltage measured at 25°C pre-temperature cycling

V_{POST} = Output voltage measured after the device has been cycled through the specified temperature range of –40°C to +125°C and returned to 25°C.

TEMPERATURE DRIFT

The REF31xx is designed to exhibit minimal drift error, defined as the change in output voltage over varying temperature. The drift is calculated using the “box” method which is described by the following equation:

$$\left(\frac{V_{\text{OUTMAX}} - V_{\text{OUTMIN}}}{V_{\text{OUT}} \cdot \text{TemperatureRange}} \right) \cdot 10^6 \text{ppm}$$

The REF31xx features a typical drift coefficient of 5ppm from 0°C to 70°C—the primary temperature range for many applications. For the industrial temperature range of –40°C to 125°C, the REF31xx family drift increases to a typical value of 10ppm.

NOISE PERFORMANCE

Typical 0.1Hz to 10Hz voltage noise can be seen in the Typical Characteristic Curve, *0.1 to 10Hz Voltage Noise*. The noise voltage of the REF31xx increases with output voltage and operating temperature. Additional filtering may be used to improve output noise levels, although care should be taken to ensure the output impedance does not degrade the AC performance.

LONG-TERM STABILITY

Long-term stability refers to the change of the output voltage of a reference over a period of months or years. This effect lessens as time progresses, as is shown by the long-term stability curves. The typical drift value for the REF31xx is 70ppm from 0-1000 hours. This parameter is characterized by measuring 30 units at regular intervals for a period of 1000 hours.

LOAD REGULATION

Load regulation is defined as the change in output voltage due to changes in load current. The load regulation of the REF31xx is measured using force and sense contacts as pictured in Figure 4. The force and sense lines reduce the impact of contact and trace resistance, resulting in accurate measurement of the load regulation contributed solely by the REF31xx. For applications requiring improved load regulation, force and sense lines should be used.

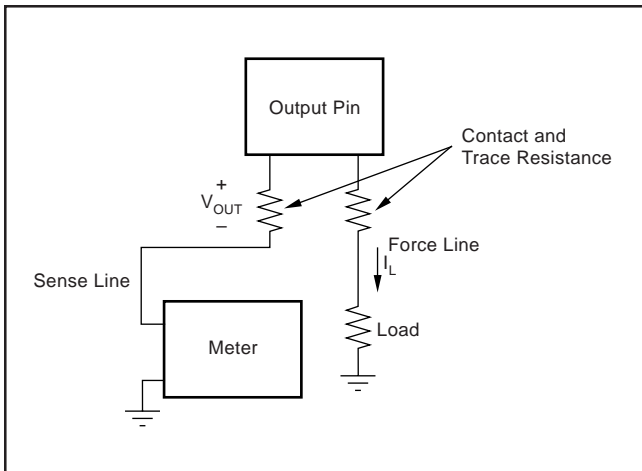


FIGURE 4. Accurate Load Regulation of REF31xx.

APPLICATION CIRCUITS

Negative Reference Voltage

For applications requiring a negative and positive reference voltage, the REF31xx and OPA703 can be used to provide a dual supply reference from a $\pm 5V$ supply. Figure 5 shows the REF3125 used to provide a $\pm 2.5V$ supply reference voltage. The low drift performance of the REF31xx complement the low offset voltage and low drift of the OPA703 to provide an accurate solution for split-supply applications.

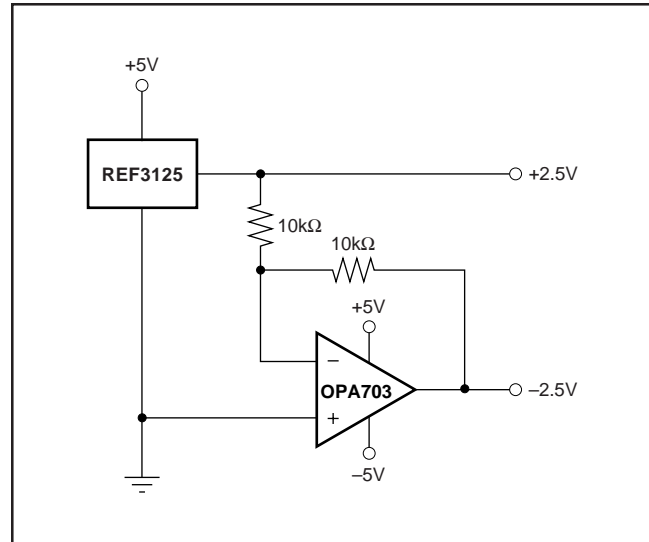


FIGURE 5. REF3125 Combined with OPA703 to Create Positive and Negative Reference Voltages.

DATA ACQUISITION

Data acquisition systems often require stable voltage references to maintain accuracy. The REF31xx family features stability and a wide range of voltages suitable for most micro-controllers and data converters. Figure 6, Figure 7, and Figure 8 show basic data acquisition systems.

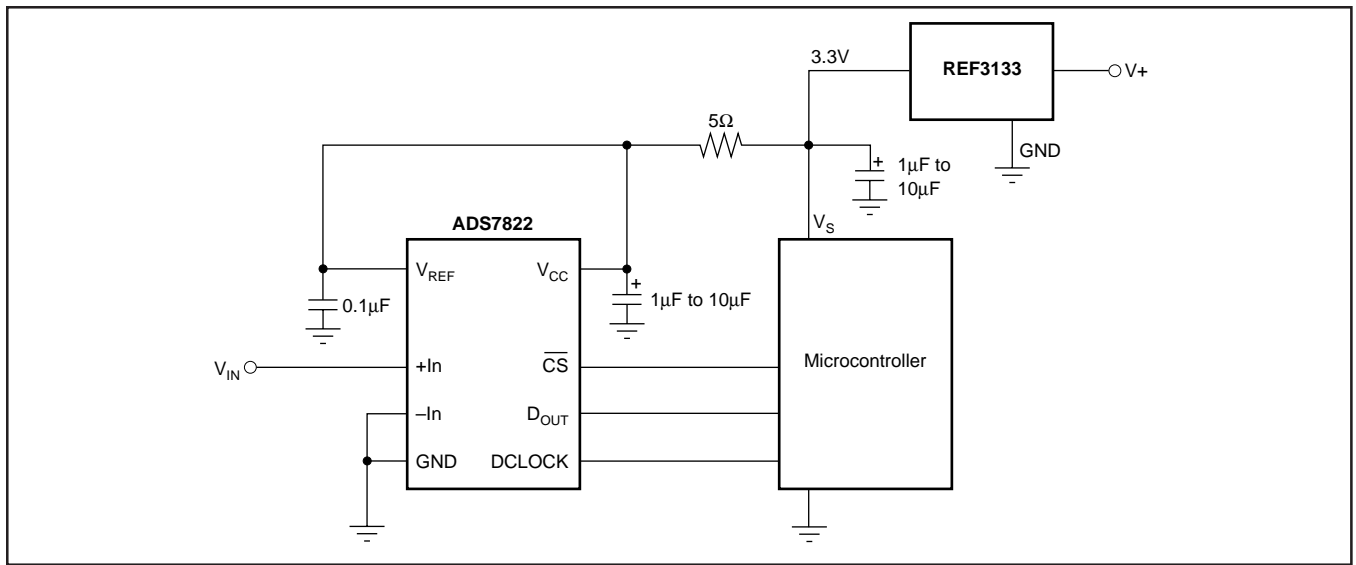


FIGURE 6. Basic Data Acquisition System 1.

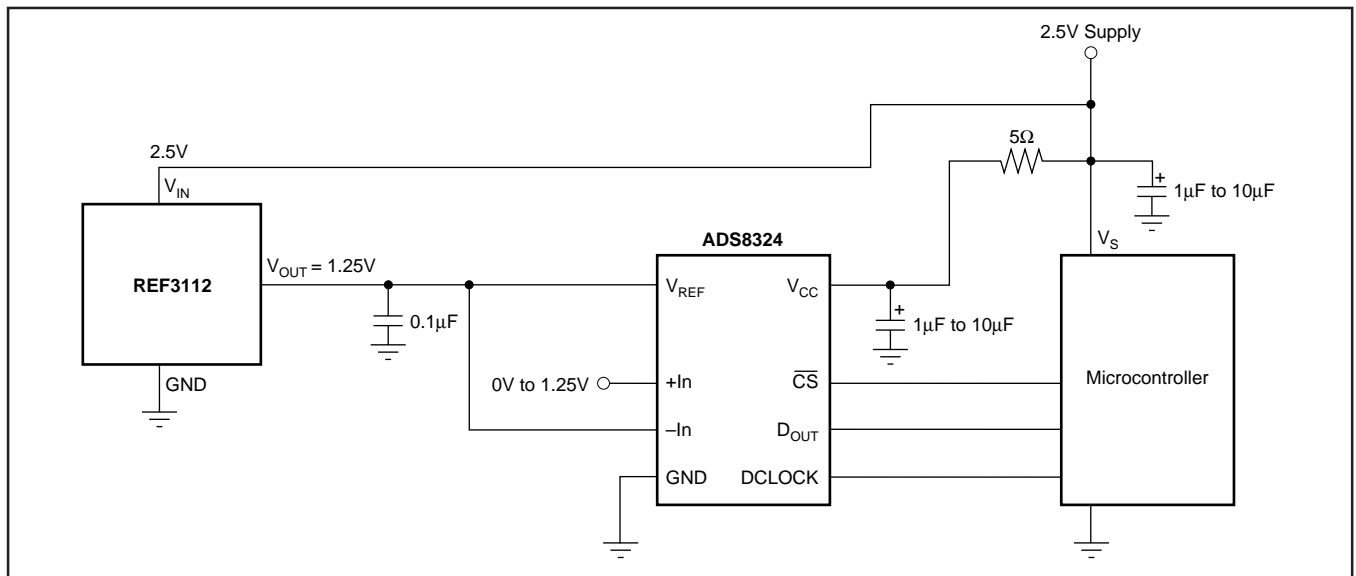


FIGURE 7. Basic Data Acquisition System 2.

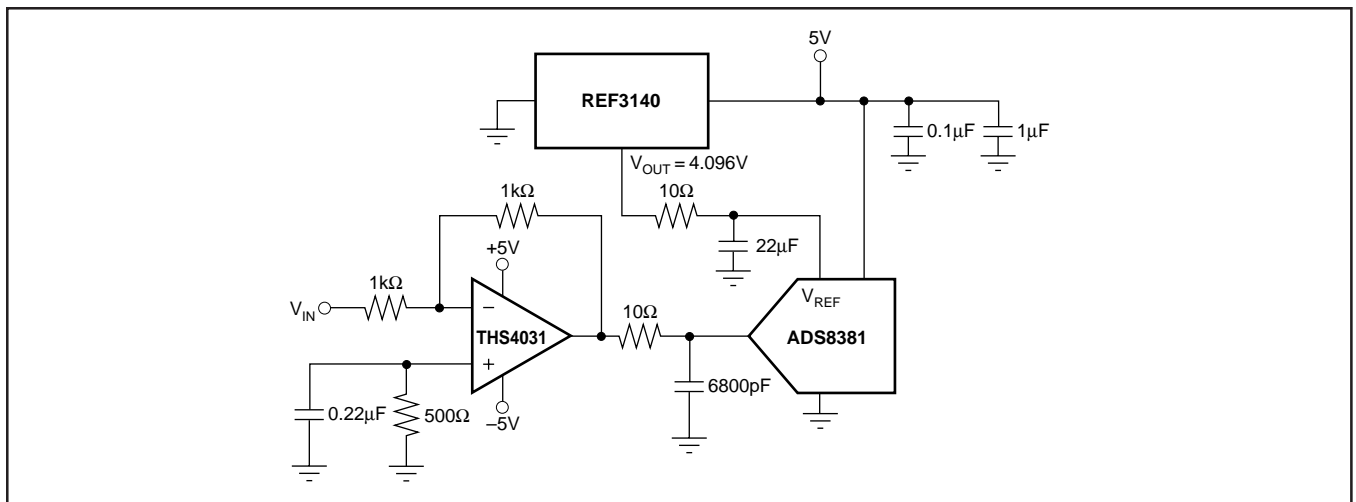


FIGURE 8. REF3140 Provides an Accurate Reference for Driving the ADS8381.

PACKAGING INFORMATION

Orderable Device	Status ⁽¹⁾	Package Type	Package Drawing	Pins	Package Qty	Eco Plan ⁽²⁾	Lead/Ball Finish	MSL Peak Temp ⁽³⁾
REF3112AIDBZR	ACTIVE	SOT-23	DBZ	3	3000	Green (RoHS & no Sb/Br)	CU NIPDAU	Level-1-260C-UNLIM
REF3112AIDBZRG4	ACTIVE	SOT-23	DBZ	3	3000	Green (RoHS & no Sb/Br)	CU NIPDAU	Level-1-260C-UNLIM
REF3112AIDBZT	ACTIVE	SOT-23	DBZ	3	250	Green (RoHS & no Sb/Br)	CU NIPDAU	Level-1-260C-UNLIM
REF3112AIDBZTG4	ACTIVE	SOT-23	DBZ	3	250	Green (RoHS & no Sb/Br)	CU NIPDAU	Level-1-260C-UNLIM
REF3120AIDBZR	ACTIVE	SOT-23	DBZ	3	3000	Green (RoHS & no Sb/Br)	CU NIPDAU	Level-1-260C-UNLIM
REF3120AIDBZRG4	ACTIVE	SOT-23	DBZ	3	3000	Green (RoHS & no Sb/Br)	CU NIPDAU	Level-1-260C-UNLIM
REF3120AIDBZT	ACTIVE	SOT-23	DBZ	3	250	Green (RoHS & no Sb/Br)	CU NIPDAU	Level-1-260C-UNLIM
REF3120AIDBZTG4	ACTIVE	SOT-23	DBZ	3	250	Green (RoHS & no Sb/Br)	CU NIPDAU	Level-1-260C-UNLIM
REF3125AIDBZR	ACTIVE	SOT-23	DBZ	3	3000	Green (RoHS & no Sb/Br)	CU NIPDAU	Level-1-260C-UNLIM
REF3125AIDBZRG4	ACTIVE	SOT-23	DBZ	3	3000	Green (RoHS & no Sb/Br)	CU NIPDAU	Level-1-260C-UNLIM
REF3125AIDBZT	ACTIVE	SOT-23	DBZ	3	250	Green (RoHS & no Sb/Br)	CU NIPDAU	Level-1-260C-UNLIM
REF3125AIDBZTG4	ACTIVE	SOT-23	DBZ	3	250	Green (RoHS & no Sb/Br)	CU NIPDAU	Level-1-260C-UNLIM
REF3130AIDBZR	ACTIVE	SOT-23	DBZ	3	3000	Green (RoHS & no Sb/Br)	CU NIPDAU	Level-1-260C-UNLIM
REF3130AIDBZRG4	ACTIVE	SOT-23	DBZ	3	3000	Green (RoHS & no Sb/Br)	CU NIPDAU	Level-1-260C-UNLIM
REF3130AIDBZT	ACTIVE	SOT-23	DBZ	3	250	Green (RoHS & no Sb/Br)	CU NIPDAU	Level-1-260C-UNLIM
REF3130AIDBZTG4	ACTIVE	SOT-23	DBZ	3	250	Green (RoHS & no Sb/Br)	CU NIPDAU	Level-1-260C-UNLIM
REF3133AIDBZR	ACTIVE	SOT-23	DBZ	3	3000	Green (RoHS & no Sb/Br)	CU NIPDAU	Level-1-260C-UNLIM
REF3133AIDBZRG4	ACTIVE	SOT-23	DBZ	3	3000	Green (RoHS & no Sb/Br)	CU NIPDAU	Level-1-260C-UNLIM
REF3133AIDBZT	ACTIVE	SOT-23	DBZ	3	250	Green (RoHS & no Sb/Br)	CU NIPDAU	Level-1-260C-UNLIM
REF3133AIDBZTG4	ACTIVE	SOT-23	DBZ	3	250	Green (RoHS & no Sb/Br)	CU NIPDAU	Level-1-260C-UNLIM
REF3140AIDBZR	ACTIVE	SOT-23	DBZ	3	3000	Green (RoHS & no Sb/Br)	CU NIPDAU	Level-1-260C-UNLIM
REF3140AIDBZRG4	ACTIVE	SOT-23	DBZ	3	3000	Green (RoHS & no Sb/Br)	CU NIPDAU	Level-1-260C-UNLIM
REF3140AIDBZT	ACTIVE	SOT-23	DBZ	3	250	Green (RoHS & no Sb/Br)	CU NIPDAU	Level-1-260C-UNLIM
REF3140AIDBZTG4	ACTIVE	SOT-23	DBZ	3	250	Green (RoHS & no Sb/Br)	CU NIPDAU	Level-1-260C-UNLIM

⁽¹⁾ The marketing status values are defined as follows:

ACTIVE: Product device recommended for new designs.

LIFEBUY: TI has announced that the device will be discontinued, and a lifetime-buy period is in effect.

NRND: Not recommended for new designs. Device is in production to support existing customers, but TI does not recommend using this part in a new design.

PREVIEW: Device has been announced but is not in production. Samples may or may not be available.

OBSOLETE: TI has discontinued the production of the device.

⁽²⁾ Eco Plan - The planned eco-friendly classification: Pb-Free (RoHS), Pb-Free (RoHS Exempt), or Green (RoHS & no Sb/Br) - please check <http://www.ti.com/productcontent> for the latest availability information and additional product content details.

TBD: The Pb-Free/Green conversion plan has not been defined.

Pb-Free (RoHS): TI's terms "Lead-Free" or "Pb-Free" mean semiconductor products that are compatible with the current RoHS requirements for all 6 substances, including the requirement that lead not exceed 0.1% by weight in homogeneous materials. Where designed to be soldered at high temperatures, TI Pb-Free products are suitable for use in specified lead-free processes.

Pb-Free (RoHS Exempt): This component has a RoHS exemption for either 1) lead-based flip-chip solder bumps used between the die and package, or 2) lead-based die adhesive used between the die and leadframe. The component is otherwise considered Pb-Free (RoHS compatible) as defined above.

Green (RoHS & no Sb/Br): TI defines "Green" to mean Pb-Free (RoHS compatible), and free of Bromine (Br) and Antimony (Sb) based flame retardants (Br or Sb do not exceed 0.1% by weight in homogeneous material)

⁽³⁾ MSL, Peak Temp. -- The Moisture Sensitivity Level rating according to the JEDEC industry standard classifications, and peak solder temperature.

Important Information and Disclaimer:The information provided on this page represents TI's knowledge and belief as of the date that it is provided. TI bases its knowledge and belief on information provided by third parties, and makes no representation or warranty as to the accuracy of such information. Efforts are underway to better integrate information from third parties. TI has taken and continues to take reasonable steps to provide representative and accurate information but may not have conducted destructive testing or chemical analysis on incoming materials and chemicals. TI and TI suppliers consider certain information to be proprietary, and thus CAS numbers and other limited information may not be available for release.

In no event shall TI's liability arising out of such information exceed the total purchase price of the TI part(s) at issue in this document sold by TI to Customer on an annual basis.

TAPE AND REEL INFORMATION

QUADRANT ASSIGNMENTS FOR PIN 1 ORIENTATION IN TAPE


*All dimensions are nominal

Device	Package Type	Package Drawing	Pins	SPQ	Reel Diameter (mm)	Reel Width W1 (mm)	A0 (mm)	B0 (mm)	K0 (mm)	P1 (mm)	W (mm)	Pin1 Quadrant
REF3112AIDBZR	SOT-23	DBZ	3	3000	179.0	8.4	3.15	2.95	1.22	4.0	8.0	Q3
REF3112AIDBZT	SOT-23	DBZ	3	250	179.0	8.4	3.15	2.95	1.22	4.0	8.0	Q3
REF3120AIDBZR	SOT-23	DBZ	3	3000	179.0	8.4	3.15	2.95	1.22	4.0	8.0	Q3
REF3120AIDBZT	SOT-23	DBZ	3	250	179.0	8.4	3.15	2.95	1.22	4.0	8.0	Q3
REF3125AIDBZR	SOT-23	DBZ	3	3000	179.0	8.4	3.15	2.95	1.22	4.0	8.0	Q3
REF3130AIDBZR	SOT-23	DBZ	3	3000	179.0	8.4	3.15	2.95	1.22	4.0	8.0	Q3
REF3130AIDBZT	SOT-23	DBZ	3	250	179.0	8.4	3.15	2.95	1.22	4.0	8.0	Q3
REF3133AIDBZR	SOT-23	DBZ	3	3000	179.0	8.4	3.15	2.95	1.22	4.0	8.0	Q3
REF3133AIDBZT	SOT-23	DBZ	3	250	179.0	8.4	3.15	2.95	1.22	4.0	8.0	Q3
REF3140AIDBZR	SOT-23	DBZ	3	3000	179.0	8.4	3.15	2.95	1.22	4.0	8.0	Q3
REF3140AIDBZT	SOT-23	DBZ	3	250	179.0	8.4	3.15	2.95	1.22	4.0	8.0	Q3

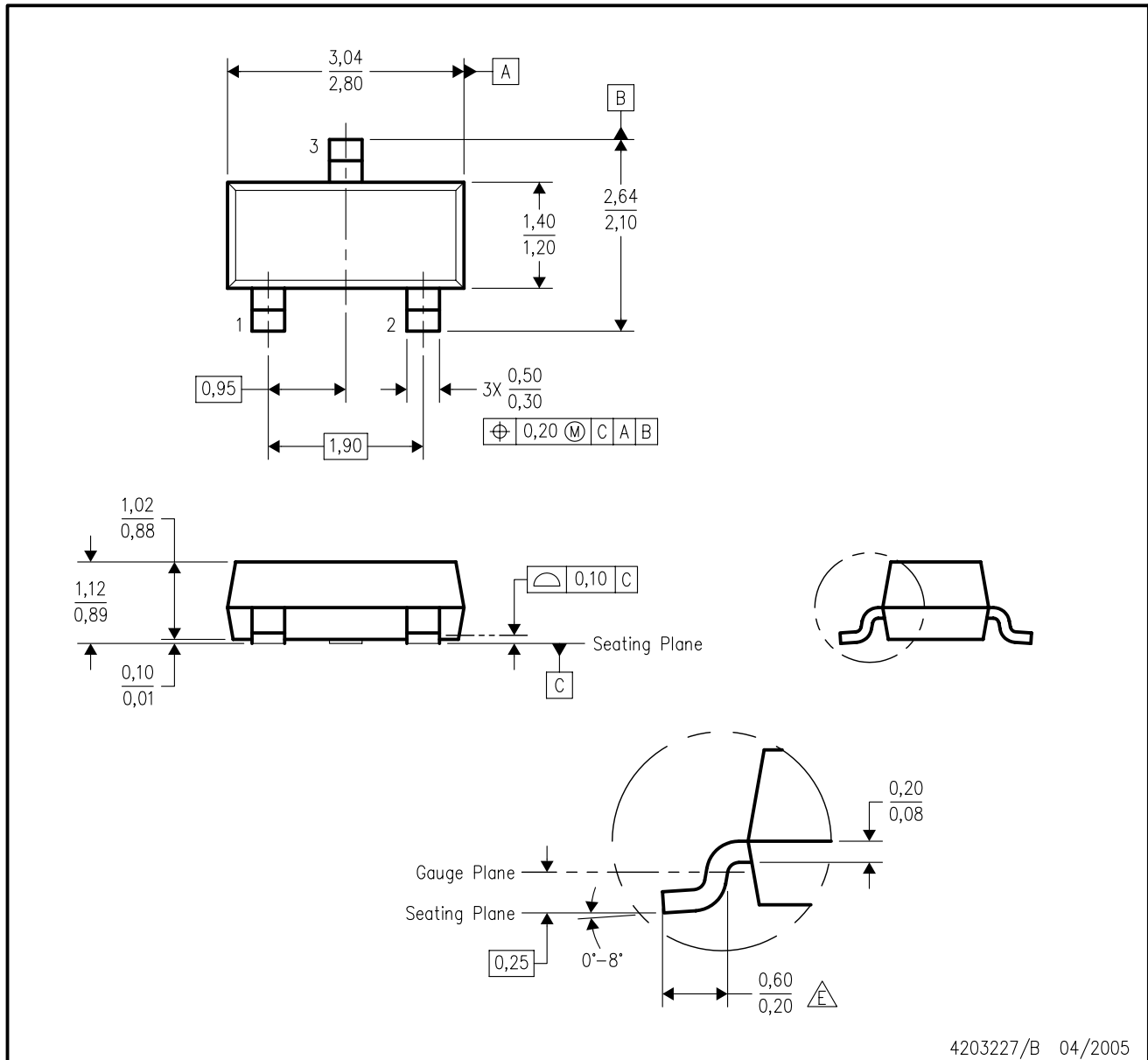
TAPE AND REEL BOX DIMENSIONS


*All dimensions are nominal

Device	Package Type	Package Drawing	Pins	SPQ	Length (mm)	Width (mm)	Height (mm)
REF3112AIDBZR	SOT-23	DBZ	3	3000	203.0	203.0	35.0
REF3112AIDBZT	SOT-23	DBZ	3	250	203.0	203.0	35.0
REF3120AIDBZR	SOT-23	DBZ	3	3000	203.0	203.0	35.0
REF3120AIDBZT	SOT-23	DBZ	3	250	203.0	203.0	35.0
REF3125AIDBZR	SOT-23	DBZ	3	3000	203.0	203.0	35.0
REF3130AIDBZR	SOT-23	DBZ	3	3000	203.0	203.0	35.0
REF3130AIDBZT	SOT-23	DBZ	3	250	203.0	203.0	35.0
REF3133AIDBZR	SOT-23	DBZ	3	3000	203.0	203.0	35.0
REF3133AIDBZT	SOT-23	DBZ	3	250	203.0	203.0	35.0
REF3140AIDBZR	SOT-23	DBZ	3	3000	203.0	203.0	35.0
REF3140AIDBZT	SOT-23	DBZ	3	250	203.0	203.0	35.0

DBZ (R-PDSO-G3)

PLASTIC SMALL-OUTLINE



- NOTES:
- A. All linear dimensions are in millimeters. Dimensioning and tolerancing per ASME Y14.5M-1994.
 - B. This drawing is subject to change without notice.
 - C. Lead dimensions are inclusive of plating.
 - D. Body dimensions are exclusive of mold flash and protrusion. Mold flash and protrusion not to exceed 0.25 per side.
 - E. Falls within JEDEC TO-236 variation AB, except minimum foot length.

IMPORTANT NOTICE

Texas Instruments Incorporated and its subsidiaries (TI) reserve the right to make corrections, modifications, enhancements, improvements, and other changes to its products and services at any time and to discontinue any product or service without notice. Customers should obtain the latest relevant information before placing orders and should verify that such information is current and complete. All products are sold subject to TI's terms and conditions of sale supplied at the time of order acknowledgment.

TI warrants performance of its hardware products to the specifications applicable at the time of sale in accordance with TI's standard warranty. Testing and other quality control techniques are used to the extent TI deems necessary to support this warranty. Except where mandated by government requirements, testing of all parameters of each product is not necessarily performed.

TI assumes no liability for applications assistance or customer product design. Customers are responsible for their products and applications using TI components. To minimize the risks associated with customer products and applications, customers should provide adequate design and operating safeguards.

TI does not warrant or represent that any license, either express or implied, is granted under any TI patent right, copyright, mask work right, or other TI intellectual property right relating to any combination, machine, or process in which TI products or services are used. Information published by TI regarding third-party products or services does not constitute a license from TI to use such products or services or a warranty or endorsement thereof. Use of such information may require a license from a third party under the patents or other intellectual property of the third party, or a license from TI under the patents or other intellectual property of TI.

Reproduction of TI information in TI data books or data sheets is permissible only if reproduction is without alteration and is accompanied by all associated warranties, conditions, limitations, and notices. Reproduction of this information with alteration is an unfair and deceptive business practice. TI is not responsible or liable for such altered documentation. Information of third parties may be subject to additional restrictions.

Resale of TI products or services with statements different from or beyond the parameters stated by TI for that product or service voids all express and any implied warranties for the associated TI product or service and is an unfair and deceptive business practice. TI is not responsible or liable for any such statements.

TI products are not authorized for use in safety-critical applications (such as life support) where a failure of the TI product would reasonably be expected to cause severe personal injury or death, unless officers of the parties have executed an agreement specifically governing such use. Buyers represent that they have all necessary expertise in the safety and regulatory ramifications of their applications, and acknowledge and agree that they are solely responsible for all legal, regulatory and safety-related requirements concerning their products and any use of TI products in such safety-critical applications, notwithstanding any applications-related information or support that may be provided by TI. Further, Buyers must fully indemnify TI and its representatives against any damages arising out of the use of TI products in such safety-critical applications.

TI products are neither designed nor intended for use in military/aerospace applications or environments unless the TI products are specifically designated by TI as military-grade or "enhanced plastic." Only products designated by TI as military-grade meet military specifications. Buyers acknowledge and agree that any such use of TI products which TI has not designated as military-grade is solely at the Buyer's risk, and that they are solely responsible for compliance with all legal and regulatory requirements in connection with such use.

TI products are neither designed nor intended for use in automotive applications or environments unless the specific TI products are designated by TI as compliant with ISO/TS 16949 requirements. Buyers acknowledge and agree that, if they use any non-designated products in automotive applications, TI will not be responsible for any failure to meet such requirements.

Following are URLs where you can obtain information on other Texas Instruments products and application solutions:

Products

Audio	www.ti.com/audio
Amplifiers	amplifier.ti.com
Data Converters	dataconverter.ti.com
DLP® Products	www.dlp.com
DSP	dsp.ti.com
Clocks and Timers	www.ti.com/clocks
Interface	interface.ti.com
Logic	logic.ti.com
Power Mgmt	power.ti.com
Microcontrollers	microcontroller.ti.com
RFID	www.ti-rfid.com
RF/IF and ZigBee® Solutions	www.ti.com/lprf

Applications

Communications and Telecom	www.ti.com/communications
Computers and Peripherals	www.ti.com/computers
Consumer Electronics	www.ti.com/consumer-apps
Energy and Lighting	www.ti.com/energy
Industrial	www.ti.com/industrial
Medical	www.ti.com/medical
Security	www.ti.com/security
Space, Avionics and Defense	www.ti.com/space-avionics-defense
Transportation and Automotive	www.ti.com/automotive
Video and Imaging	www.ti.com/video
Wireless	www.ti.com/wireless-apps

TI E2E Community Home Page

e2e.ti.com

Mailing Address: Texas Instruments, Post Office Box 655303, Dallas, Texas 75265
Copyright © 2011, Texas Instruments Incorporated