

6

5

4

3

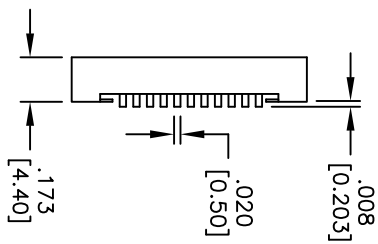
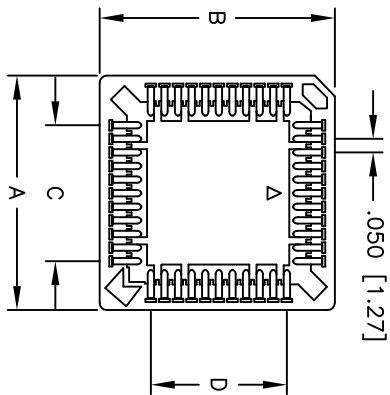
2

1

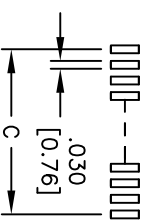
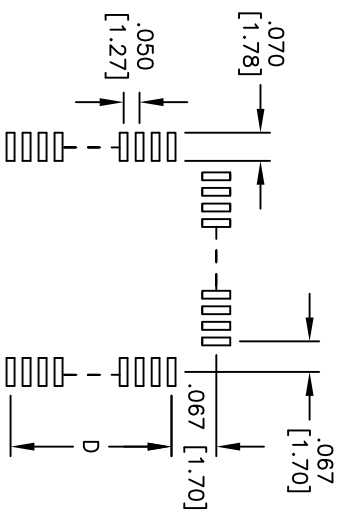
APPROVED: _____

DATE: _____ TITLE: _____

Rev	AWO #	Description	Date	Appr
-		RELEASED	12/9/04	
A		REVISED	05/11/07	



POSITIONS	A	B	C	D
20	.616 [15.65]	.616 [15.65]	.200 [5.08]	.200 [5.08]
28	.715 [18.16]	.715 [18.16]	.300 [7.62]	.300 [7.62]
32	.715 [18.16]	.817 [20.75]	.300 [7.62]	.400 [10.16]
44	.917 [23.28]	.917 [23.28]	.500 [12.70]	.500 [12.70]
52	1.017 [25.84]	1.017 [25.84]	.600 [15.24]	.600 [15.24]
68	1.219 [30.95]	1.219 [30.95]	.800 [20.32]	.800 [20.32]
84	1.417 [36.00]	1.417 [36.00]	1.000 [25.40]	1.000 [25.40]



RECOMMENDED PCB LAYOUT

A B

C D

B

SPECIFICATIONS:

Material:

Insulator: Hi-temp thermoplastic, rated UL 94V-0

Insulator color: Brown

Contacts: Phosphor Bronze

Plating:

Tin over Copper underplate overall

Electrical:

Operating voltage: 250 VAC max

Current rating: 1 Amp max

Contact resistance: 30 mohms max initial

Insulation resistance: 1000 Mohms min

Dielectric withstanding voltage: 500 VAC for 1 minute

Temperature Rating:

Operating temperature: -55°C to +105°C

Environmental:

Lead free, RoHS compliant.

6

5

4

3

2

1

ADAM TECH

909 Rahway Avenue, Union, NJ 07083
Phone: 908-687-5000 Fax: 908-687-5710

TITLE: PLCC SOCKET, SURFACE MOUNT,
TIN PLATED

UNLESS OTHERWISE SPECIFIED ALL DIMENSIONS ARE INCHES [MM] TOLERANCES: EXCEPT AS NOTED	
INCHES	HOLES
.X ±.10	ØXX ±.10
.XX ±.020	ØXXX ±.015
.XXX ±.015	ØXXXX ±.010
APPROVALS	
DRAWN	SS
CHECKED	
APPROVED	
DATE	12/9/04

SIZE	PART NO.	REV.
X	PLCC-XX-AT-SMT	A
REF:	SCALE: NTS	SHEET 1 OF 1

A

B

C

D