

SMT POWER INDUCTORS

Toroid - Military/Aerospace POGO Series



- Ruggedized header with POGO pins for secure board mounting
- Current Rating:** up to 8.3ADC
- Inductance Range:** 2.0µH to 336µH

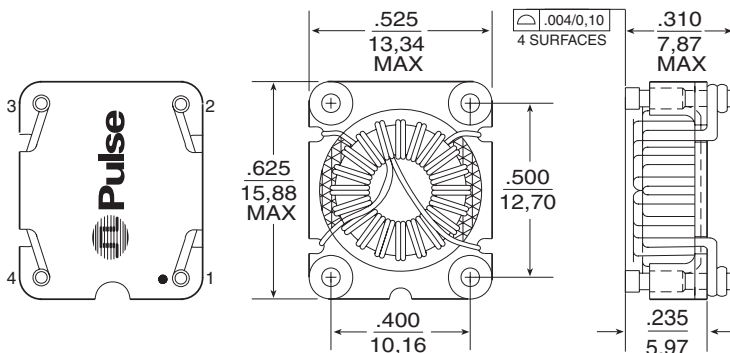
Electrical Specifications @ 25°C — Operating Temperature -40°C to +130°C

Part # Number	Inductance @ I _{rated} (µH MIN)	I _{rated} (A)	DCR (MAX) (mΩ)	ET (V-µsec)	Inductance @0A _{dc} (µH ±10%)	100 Gauss ET ₁₀₀ (V-µsec)	1 Amp DC H ₁ (Orsted)	Connection
POGO 25								
PL8600	2.0	8.30	8.0	7.31	2.2	1.20	5.43	Parallel
PL8601	2.4	7.20	10.9	7.81	2.6	1.33	5.97	Parallel
PL8602	5.0	5.20	19.0	11.72	5.5	1.93	8.69	Parallel
PL8600	7.0	4.16	16.0	14.61	8.75	2.41	10.86	Series
PL8603	9.3	3.80	30	16.12	10.4	2.65	11.95	Parallel
PL8601	8.4	3.78	21.8	15.62	10.4	2.65	11.95	Series
PL8604	14.1	3.10	45.5	19.73	15.7	3.25	14.66	Parallel
PL8605	19.8	2.60	66.5	23.45	22.1	3.86	17.38	Parallel
PL8602	17.9	2.60	38.0	23.43	22.45	3.86	17.38	Series
PL8606	29.3	2.20	101	28.50	32.8	4.70	21.18	Parallel
PL8603	33.8	1.89	60	32.25	41.7	5.30	23.89	Series
PL8607	42.6	1.80	151	34.49	47.6	5.66	25.52	Parallel
PL8604	50.9	1.54	91	39.46	62.8	6.51	29.32	Series
PL8608	61.3	1.50	222	40.85	67.5	6.75	30.41	Parallel
PL8605	71.5	1.30	133	46.90	88.2	7.71	34.75	Series
PL8609	84.2	1.20	318	46.22	91.0	7.83	35.30	Parallel
PL8606	106.1	1.07	202	57.00	131.0	9.40	42.36	Series
PL8607	154.2	0.89	302	68.99	190.3	11.33	51.05	Series
PL8608	218.9	0.74	444	81.70	270.2	13.50	60.82	Series
PL8609	295.0	0.64	636	92.43	364.0	15.66	70.59	Series

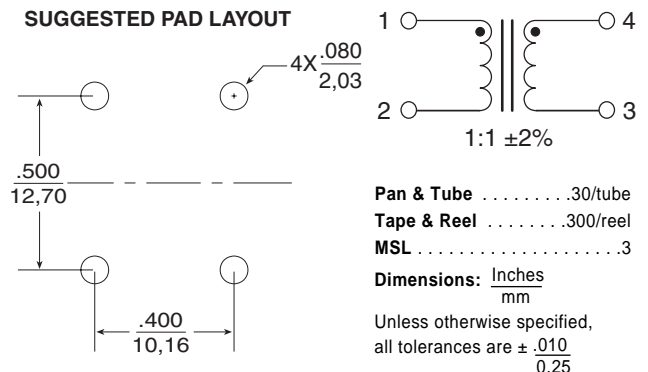
NOTES:

- Temperature rise is 50°C in typical buck or boost circuits at 250kHz and with the reference ET applied to the inductor.
- Total loss in the inductor is 380mWatts for a 50°C temperature rise above ambient.
- To estimate temperature rise in a given application, determine copper and core losses, divide by 380 and multiply by 50.
- For the copper loss, calculate $I_{oc}^2 \times R_N$.
- For core loss, using frequency (f) and operating flux density (B), calculate $6.11 \times 10^{-18} \times B^{2.7} \times f^{2.04}$.
- For flux density (B), calculate ET (V-µsec) for the application, divide by ET₁₀₀ from the table, and multiply by 100.
- Limit the DC bias (H) to 46 orsted. Calculate H by multiplying H₁ from the table by I_{oc} of the application.
- The maximum DCR listed is approximately 17% over the nominal DCR.
- Optional Tape & Reel packaging can be ordered by adding a "T" suffix to the part number (i.e. PL8600 becomes PL8600T). Pulse complies to industry standard tape and reel specification EIA481.

Mechanical



Schematic



For More Information:

Pulse Worldwide Headquarters 2 Pearl Buck Court Bristol, PA 19007 U.S.A. www.pulseeng.com TEL: 215 781 6400 FAX: 215 781 6403	Pulse Northern Europe 3 Huxley Road Surrey Research Park Guildford, Surrey GU2 5RE United Kingdom TEL: 44 1483 401700 FAX: 44 1483 401701	Pulse Southern Europe Zone Industrielle Orgelet France TEL: 33 3 84 35 04 04 FAX: 33 3 84 25 46 41	Pulse China Headquarters No. 1 Industrial District Changan, Dongguan China TEL: 86 769 5538070 FAX: 86 769 5538870	Pulse North China Room 1002 No. 819 Nanjing West Rd Shanghai China TEL: 86 21 32181071 FAX: 86 21 32181396	Pulse South Asia 150 Kampong Ampat #07-01/02 KA Centre Singapore 368324 TEL: 65 6287 8998 FAX: 65 6280 0080	Pulse North Asia 3F-4, No. 81, Sec. 1 Hsin Tai Wu Road Hsi-Chih Taipei Hsien Taiwan TEL: 886 2 26980228 FAX: 886 2 26980948
--	--	--	---	--	--	---

Performance warranty of products offered on this data sheet is limited to the parameters specified. Data is subject to change without notice. Other brand and product names mentioned herein may be trademarks or registered trademarks of their respective owners.

© Copyright, 2005, Pulse Engineering, Inc. All right reserved.

www.pulseeng.com

M114.A (10/05)