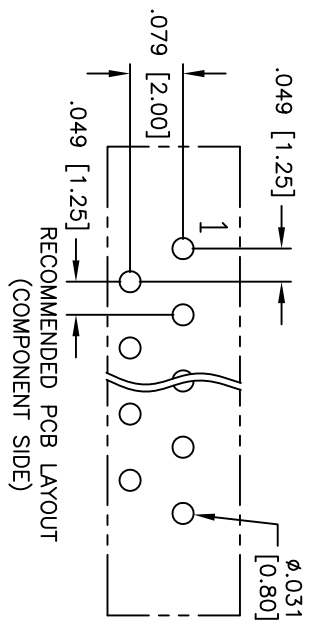
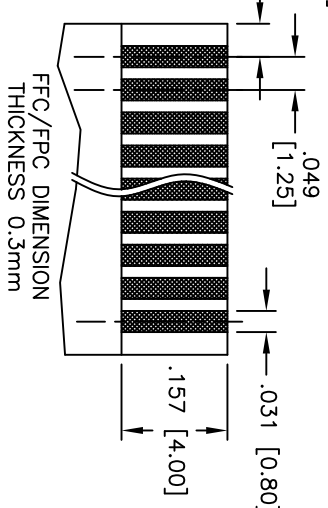
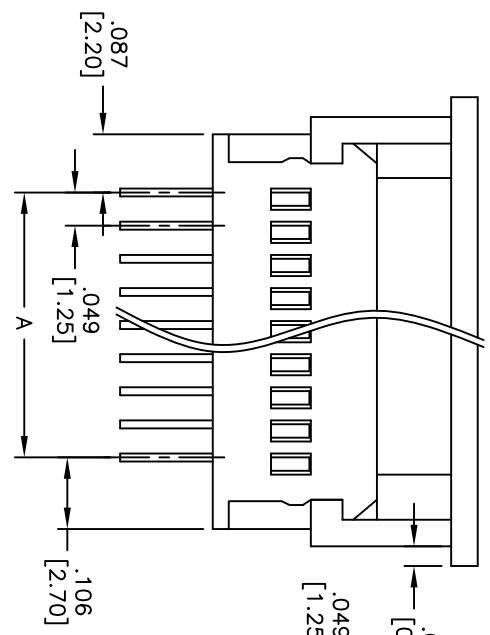
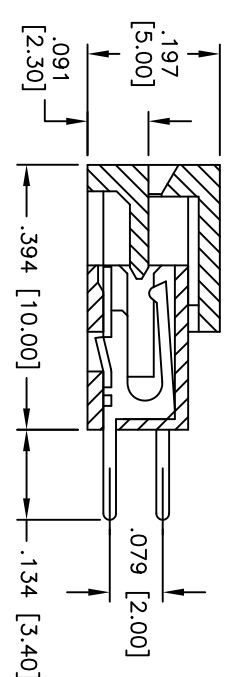
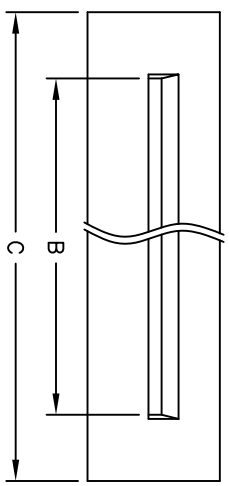


Rev	AWO #	Description	Date	Appr
-		RELEASED	3/16/05	
A		REVISED SPEC.	12/15/10	
B		REDRAWN	12/22/10	

APPROVED: \_\_\_\_\_  
 DATE: \_\_\_\_\_ TITLE: \_\_\_\_\_



Positions: 3 thru 32

- A = .049 [1.25] x No. of Spaces
- B = .049 [1.25] x No. of Spaces + .106 [2.70]
- C = .049 [1.25] x No. of Spaces + .278 [7.05]

**SPECIFICATIONS:**

**Material:**  
 Insulator: PBT, glass reinforced, rated UL 94V-0  
 Insulator color: Natural  
 Contacts: Phosphor Bronze  
**Plating:**  
 Tin over Copper underplate overall  
**Electrical:**  
 Operating voltage: 200 VAC max  
 Current rating: 1 Amp max  
 Contact resistance: 20 mohms max initial  
 Insulation resistance: 500 Mohms min  
 Dielectric withstanding voltage: 500 VAC for 1 minute  
**Temperature Rating:**  
 Operating temperature: -20°C to +85°C  
**Environmental:**  
 Lead free, RoHS compliant



UNLESS OTHERWISE SPECIFIED	
ALL DIMENSIONS ARE IN INCHES [MM]	
TOLERANCES: EXCEPT AS NOTED	
INCHES	
.X ± .10	ØXX ± .10
.XX ± .020	ØXXX ± .015
.XXX ± .015	ØXXXX ± .010
APPROVALS	DATE
DRAWN	SS
CHECKED	
APPROVED	

**ADAM TECH**  
 909 Railway Avenue, Union, NJ 07083  
 Phone: 908-687-5000 Fax: 908-687-5710

TITLE: ZIF FLEX CIRCUIT CONNECTOR  
 TOP ENTRY, PCB

SIZE	PART NO.	SCALE	SHEET 1 OF 1
X	PCA-1-XX-V-3-20	NIS	B
REF:	S00030T		