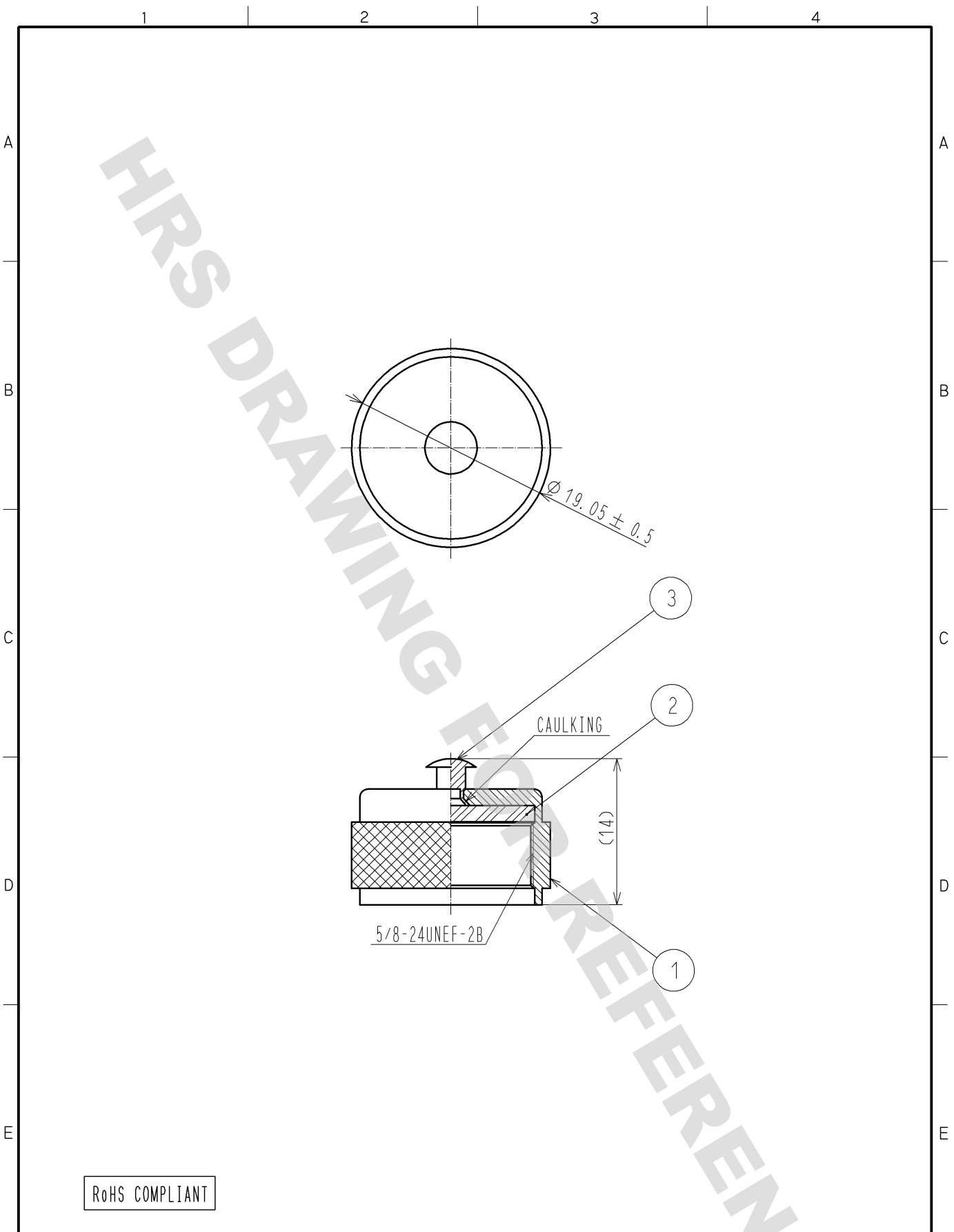


DRAWING FOR REFERENCE: This is subject to change without notice  
08/11/2012



RoHS COMPLIANT

2	SILICONE RUBBER							
1	BRASS	NICKEL PLATING	3	BRASS	NICKEL PLATING			
NO.	MATERIAL	FINISH .	REMARKS	NO.	MATERIAL	FINISH .	REMARKS	
UNITS mm		SCALE 2 : 1	COUNT 	DESCRIPTION OF REVISIONS		DESIGNED	CHECKED	DATE
HIROSE ELECTRIC CO., LTD.		APPROVED : MH. YAMANE	08. 05. 28	DRAWING NO.		EDC4-000417-45		
		CHECKED : TO. KATAYAMA	08. 05. 28	PART NO.		MX-913/U(45)		
		DESIGNED : TS. NISHIYAMA	08. 05. 27	CODE NO.		CL301-0020-9-45		
		DRAWN : TS. NISHIYAMA	08. 05. 27					1/1