

# MSP430x13x, MSP430x14x, MSP430x14x1 MIXED SIGNAL MICROCONTROLLER

SLAS272F – JULY 2000 – REVISED JUNE 2004

- Low Supply-Voltage Range, 1.8 V . . . 3.6 V
- Ultralow-Power Consumption:
  - Active Mode: 280  $\mu$ A at 1 MHz, 2.2V
  - Standby Mode: 1.6  $\mu$ A
  - Off Mode (RAM Retention): 0.1  $\mu$ A
- Five Power-Saving Modes
- Wake-Up From Standby Mode in less than 6  $\mu$ s
- 16-Bit RISC Architecture, 125-ns Instruction Cycle Time
- 12-Bit A/D Converter With Internal Reference, Sample-and-Hold and Autoscan Feature
- 16-Bit Timer\_B With Seven Capture/Compare-With-Shadow Registers
- 16-Bit Timer\_A With Three Capture/Compare Registers
- On-Chip Comparator
- Serial Onboard Programming, No External Programming Voltage Needed
- Programmable Code Protection by Security Fuse
- Serial Communication Interface (USART), Functions as Asynchronous UART or Synchronous SPI Interface
  - Two USARTs (USART0, USART1) — MSP430x14x(1) Devices
  - One USART (USART0) — MSP430x13x Devices
- Family Members Include:
  - MSP430F133:  
8KB+256B Flash Memory, 256B RAM
  - MSP430F135:  
16KB+256B Flash Memory, 512B RAM
  - MSP430F147, MSP430F1471<sup>†</sup>:  
32KB+256B Flash Memory, 1KB RAM
  - MSP430F148, MSP430F1481<sup>†</sup>:  
48KB+256B Flash Memory, 2KB RAM
  - MSP430F149, MSP430F1491<sup>†</sup>:  
60KB+256B Flash Memory, 2KB RAM
- Available in 64-Pin Quad Flat Pack (QFP) and 64-pin QFN
- For Complete Module Descriptions, See the *MSP430x1xx Family User's Guide*, Literature Number SLAU049

<sup>†</sup>The MSP430F14x1 devices are identical to the MSP430F14x devices with the exception that the ADC12 module is not implemented.

## description

The Texas Instruments MSP430 family of ultralow-power microcontrollers consist of several devices featuring different sets of peripherals targeted for various applications. The architecture, combined with five low power modes is optimized to achieve extended battery life in portable measurement applications. The device features a powerful 16-bit RISC CPU, 16-bit registers, and constant generators that attribute to maximum code efficiency. The digitally controlled oscillator (DCO) allows wake-up from low-power modes to active mode in less than 6  $\mu$ s.

The MSP430x13x and the MSP430x14x(1) series are microcontroller configurations with two built-in 16-bit timers, a fast 12-bit A/D converter (not implemented on the MSP430F14x1 devices), one or two universal serial synchronous/asynchronous communication interfaces (USART), and 48 I/O pins.

Typical applications include sensor systems that capture analog signals, convert them to digital values, and process and transmit the data to a host system. The timers make the configurations ideal for industrial control applications such as ripple counters, digital motor control, EE-meters, hand-held meters, etc. The hardware multiplier enhances the performance and offers a broad code and hardware-compatible family solution.



Please be aware that an important notice concerning availability, standard warranty, and use in critical applications of Texas Instruments semiconductor products and disclaimers thereto appears at the end of this data sheet.

PRODUCTION DATA information is current as of publication date. Products conform to specifications per the terms of Texas Instruments standard warranty. Production processing does not necessarily include testing of all parameters.

 **TEXAS  
INSTRUMENTS**

POST OFFICE BOX 655303 • DALLAS, TEXAS 75265

Copyright © 2000 – 2004, Texas Instruments Incorporated

# MSP430x13x, MSP430x14x, MSP430x14x1 MIXED SIGNAL MICROCONTROLLER

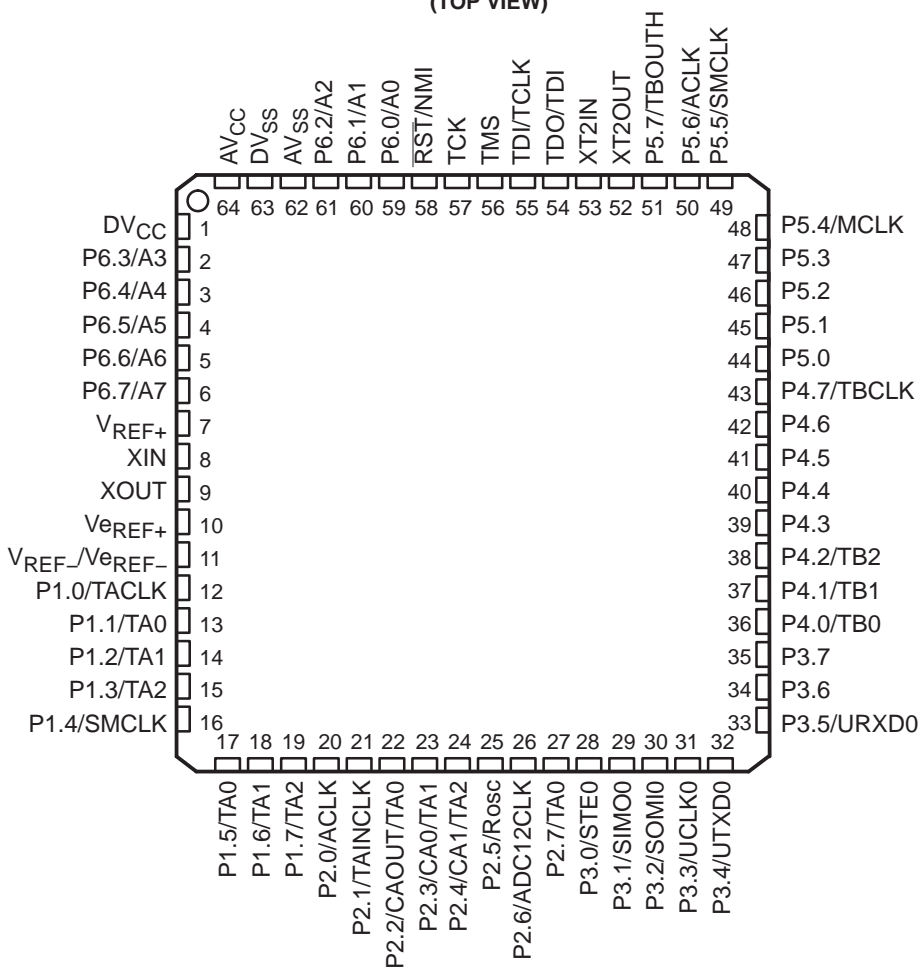
SLAS272F – JULY 2000 – REVISED JUNE 2004

## AVAILABLE OPTIONS

| T <sub>A</sub> | PACKAGED DEVICES  |  |   |
|----------------|---|--|---|
|                | PLASTIC 64-PIN QFP (PM)   | PLASTIC 64-PIN QFP (PAG)   | PLASTIC 64-PIN QFN (RTD)  |
| -40°C to 85°C  | MSP430F133IPM<br>MSP430F135IPM<br>MSP430F147IPM<br>MSP430F1471IPM<br>MSP430F148IPM<br>MSP430F1481IPM<br>MSP430F149IPM<br>MSP430F1491IPM | MSP430F133IPAG<br>MSP430F135IPAG<br>MSP430F147IPAG<br>MSP430F148IPAG<br>MSP430F149IPAG | MSP430F133IRTD<br>MSP430F135IRTD<br>MSP430F147IRTD<br>MSP430F1471IRTD<br>MSP430F148IRTD<br>MSP430F1481IRTD<br>MSP430F149IRTD<br>MSP430F1491IRTD |

## pin designation, MSP430F133, MSP430F135

### PM, PAG, RTD PACKAGE (TOP VIEW)

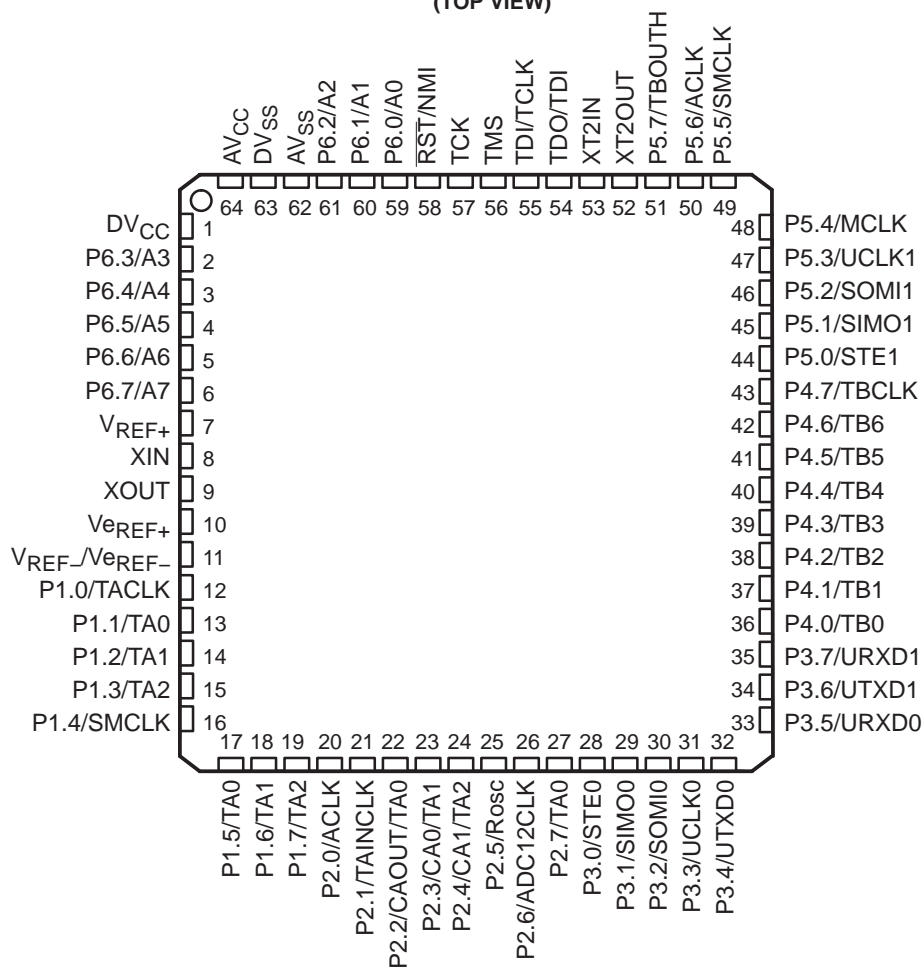


# MSP430x13x, MSP430x14x, MSP430x14x1 MIXED SIGNAL MICROCONTROLLER

SLAS272F – JULY 2000 – REVISED JUNE 2004

## pin designation, MSP430F147, MSP430F148, MSP430F149

PM, PAG, RTD PACKAGE  
(TOP VIEW)

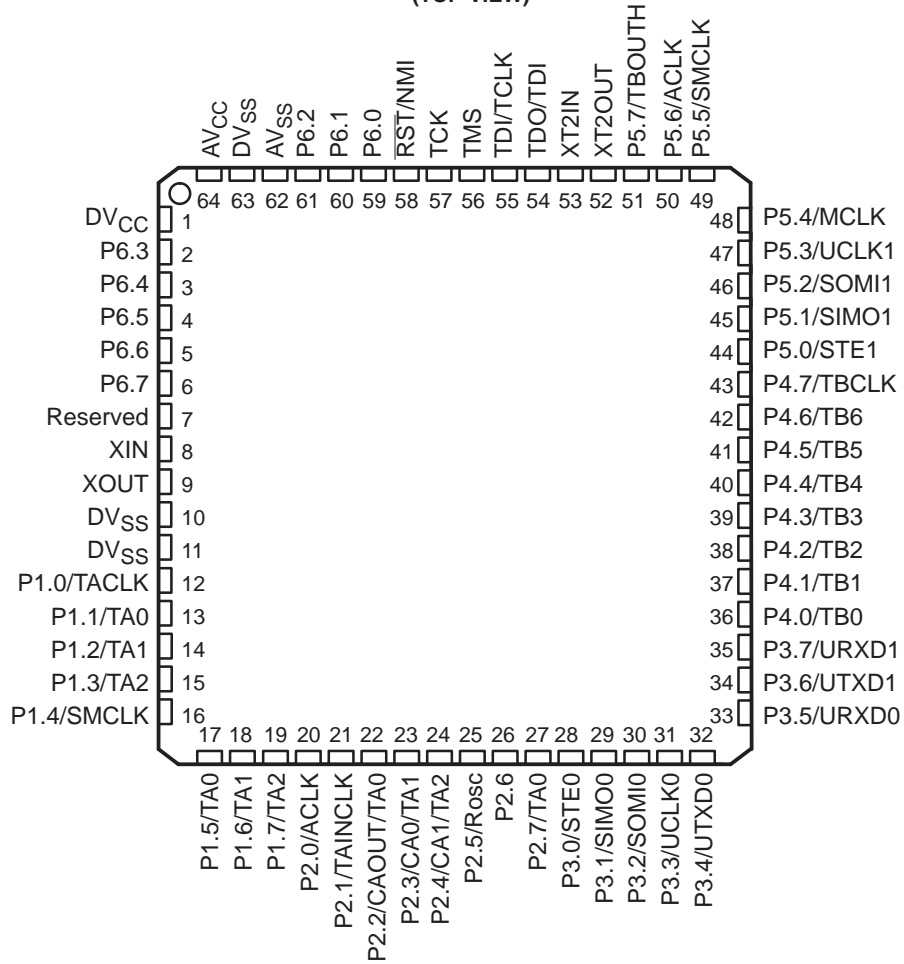


# MSP430x13x, MSP430x14x, MSP430x14x1 MIXED SIGNAL MICROCONTROLLER

SLAS272F – JULY 2000 – REVISED JUNE 2004

## pin designation, MSP430F1471, MSP430F1481, MSP430F1491

PM, RTD PACKAGE  
(TOP VIEW)

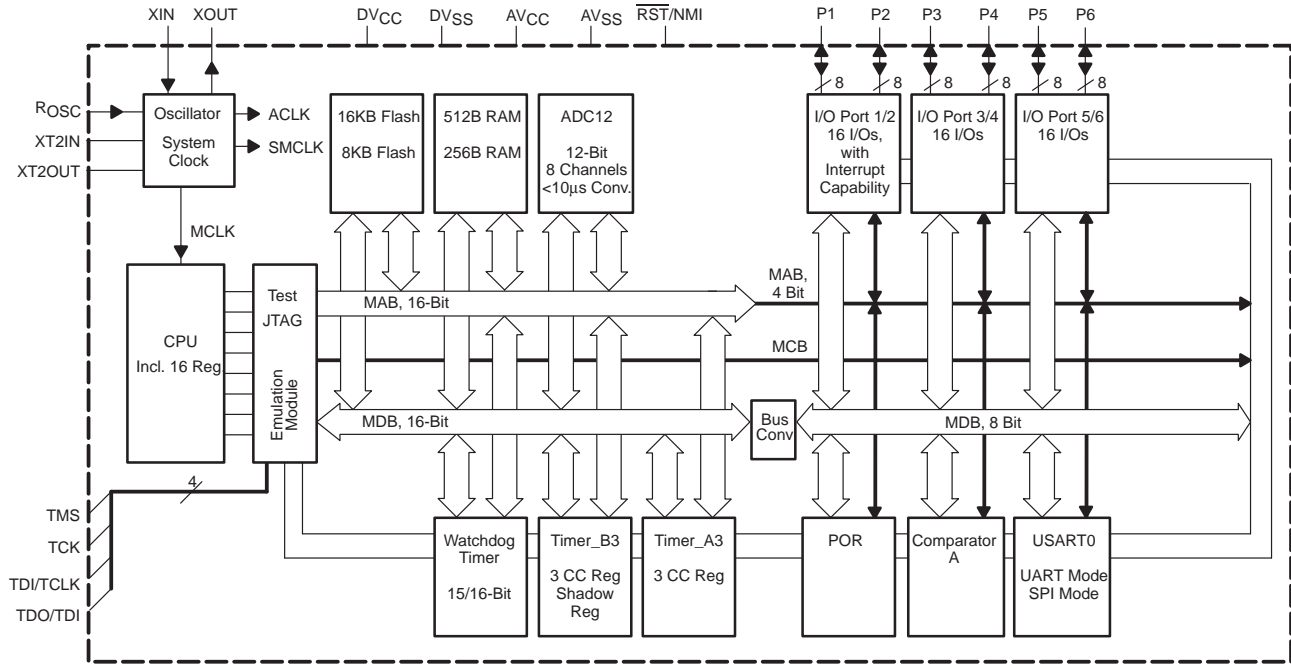


# MSP430x13x, MSP430x14x, MSP430x14x1 MIXED SIGNAL MICROCONTROLLER

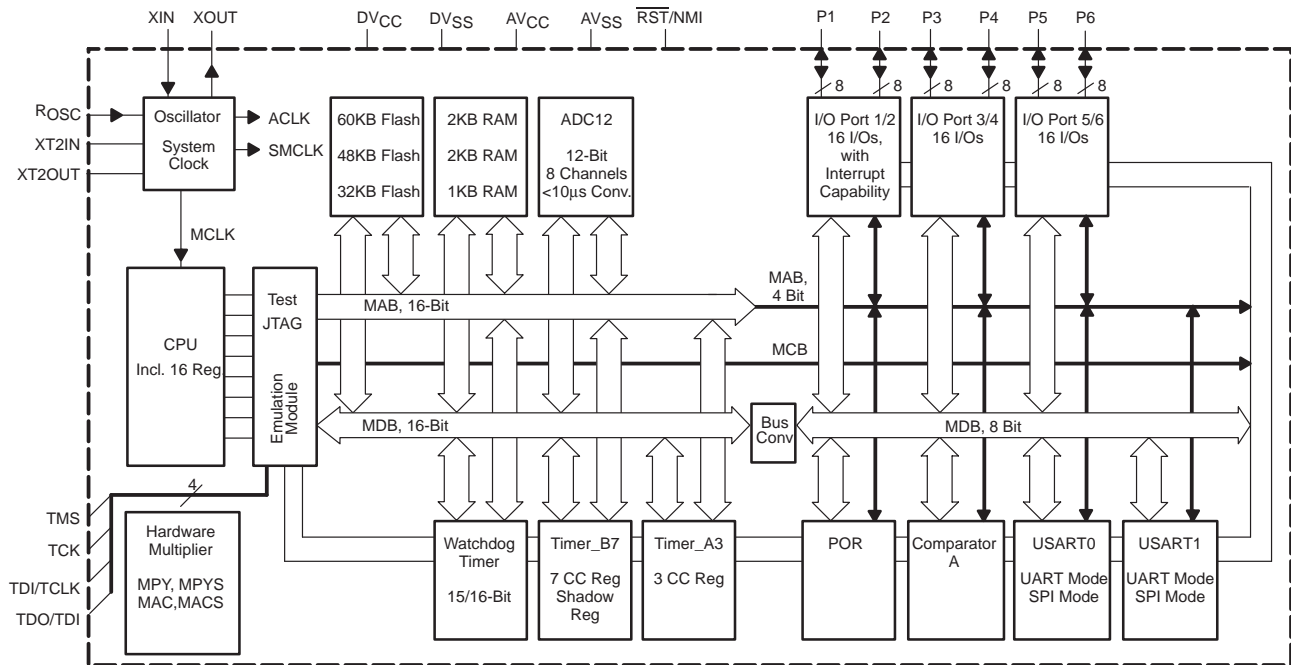
SLAS272F – JULY 2000 – REVISED JUNE 2004

## functional block diagrams

### MSP430x13x



### MSP430x14x

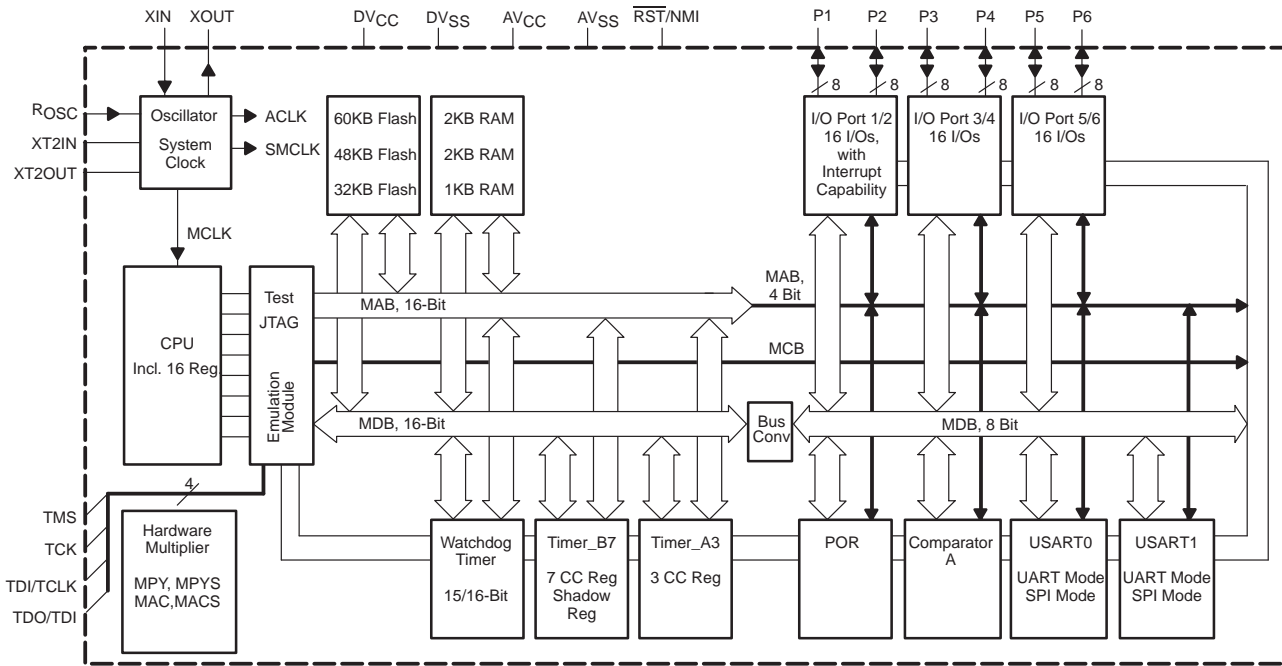


# MSP430x13x, MSP430x14x, MSP430x14x1 MIXED SIGNAL MICROCONTROLLER

SLAS272F – JULY 2000 – REVISED JUNE 2004

## functional block diagrams (continued)

### MSP430x14x1



# MSP430x13x, MSP430x14x, MSP430x14x1 MIXED SIGNAL MICROCONTROLLER

SLAS272F – JULY 2000 – REVISED JUNE 2004

## Terminal Functions

### MSP430x13x, MSP430x14x

| TERMINAL<br>NAME      | NO. | I/O | DESCRIPTION   |
|-----------------------|-----|-----|---|
| AV <sub>CC</sub>      | 64  |     | Analog supply voltage, positive terminal. Supplies the analog portion of the analog-to-digital converter. |
| AV <sub>SS</sub>      | 62  |     | Analog supply voltage, negative terminal. Supplies the analog portion of the analog-to-digital converter. |
| DV <sub>CC</sub>      | 1   |     | Digital supply voltage, positive terminal. Supplies all digital parts.                                    |
| DV <sub>SS</sub>      | 63  |     | Digital supply voltage, negative terminal. Supplies all digital parts.                                    |
| P1.0/TACLK            | 12  | I/O | General-purpose digital I/O pin/Timer_A, clock signal TACLK input   |
| P1.1/TA0              | 13  | I/O | General-purpose digital I/O pin/Timer_A, capture: CCI0A input, compare: Out0 output/BSL transmit          |
| P1.2/TA1              | 14  | I/O | General-purpose digital I/O pin/Timer_A, capture: CCI1A input, compare: Out1 output                       |
| P1.3/TA2              | 15  | I/O | General-purpose digital I/O pin/Timer_A, capture: CCI2A input, compare: Out2 output                       |
| P1.4/SMCLK            | 16  | I/O | General-purpose digital I/O pin/SMCLK signal output   |
| P1.5/TA0              | 17  | I/O | General-purpose digital I/O pin/Timer_A, compare: Out0 output   |
| P1.6/TA1              | 18  | I/O | General-purpose digital I/O pin/Timer_A, compare: Out1 output   |
| P1.7/TA2              | 19  | I/O | General-purpose digital I/O pin/Timer_A, compare: Out2 output/  |
| P2.0/ACLK             | 20  | I/O | General-purpose digital I/O pin/ACLK output   |
| P2.1/TAINCLK          | 21  | I/O | General-purpose digital I/O pin/Timer_A, clock signal at INCLK  |
| P2.2/CAOUT/TA0        | 22  | I/O | General-purpose digital I/O pin/Timer_A, capture: CCI0B input/Comparator_A output/BSL receive             |
| P2.3/CA0/TA1          | 23  | I/O | General-purpose digital I/O pin/Timer_A, compare: Out1 output/Comparator_A input                          |
| P2.4/CA1/TA2          | 24  | I/O | General-purpose digital I/O pin/Timer_A, compare: Out2 output/Comparator_A input                          |
| P2.5/R <sub>OSC</sub> | 25  | I/O | General-purpose digital I/O pin/input for external resistor defining the DCO nominal frequency            |
| P2.6/ADC12CLK         | 26  | I/O | General-purpose digital I/O pin/conversion clock – 12-bit ADC   |
| P2.7/TA0              | 27  | I/O | General-purpose digital I/O pin/Timer_A, compare: Out0 output   |
| P3.0/STE0             | 28  | I/O | General-purpose digital I/O pin/slave transmit enable – USART0/SPI mode                                   |
| P3.1/SIMO0            | 29  | I/O | General-purpose digital I/O pin/slave in/master out of USART0/SPI mode                                    |
| P3.2/SOMI0            | 30  | I/O | General-purpose digital I/O pin/slave out/master in of USART0/SPI mode                                    |
| P3.3/UCLK0            | 31  | I/O | General-purpose digital I/O/USART0 clock: external input – UART or SPI mode, output – SPI mode            |
| P3.4/UTXD0            | 32  | I/O | General-purpose digital I/O pin/transmit data out – USART0/UART mode                                      |
| P3.5/URXD0            | 33  | I/O | General-purpose digital I/O pin/receive data in – USART0/UART mode  |
| P3.6/UTXD1†           | 34  | I/O | General-purpose digital I/O pin/transmit data out – USART1/UART mode                                      |
| P3.7/URXD1†           | 35  | I/O | General-purpose digital I/O pin/receive data in – USART1/UART mode  |
| P4.0/TB0              | 36  | I/O | General-purpose digital I/O pin/Timer_B, capture: CCI0A or CCI0B input, compare: Out0 output              |
| P4.1/TB1              | 37  | I/O | General-purpose digital I/O pin/Timer_B, capture: CCI1A or CCI1B input, compare: Out1 output              |
| P4.2/TB2              | 38  | I/O | General-purpose digital I/O pin/Timer_B, capture: CCI2A or CCI2B input, compare: Out2 output              |
| P4.3/TB3†             | 39  | I/O | General-purpose digital I/O pin/Timer_B, capture: CCI3A or CCI3B input, compare: Out3 output              |
| P4.4/TB4†             | 40  | I/O | General-purpose digital I/O pin/Timer_B, capture: CCI4A or CCI4B input, compare: Out4 output              |
| P4.5/TB5†             | 41  | I/O | General-purpose digital I/O pin/Timer_B, capture: CCI5A or CCI5B input, compare: Out5 output              |
| P4.6/TB6†             | 42  | I/O | General-purpose digital I/O pin/Timer_B, capture: CCI6A or CCI6B input, compare: Out6 output              |
| P4.7/TBCLK            | 43  | I/O | General-purpose digital I/O pin/Timer_B, clock signal TBCLK input   |
| P5.0/STE1†            | 44  | I/O | General-purpose digital I/O pin/slave transmit enable – USART1/SPI mode                                   |
| P5.1/SIMO1†           | 45  | I/O | General-purpose digital I/O pin/slave in/master out of USART1/SPI mode                                    |
| P5.2/SOMI1†           | 46  | I/O | General-purpose digital I/O pin/slave out/master in of USART1/SPI mode                                    |
| P5.3/UCLK1†           | 47  | I/O | General-purpose digital I/O pin/USART1 clock: external input – UART or SPI mode, output – SPI mode        |
| P5.4/MCLK             | 48  | I/O | General-purpose digital I/O pin/main system clock MCLK output   |
| P5.5/SMCLK            | 49  | I/O | General-purpose digital I/O pin/submain system clock SMCLK output   |

† 14x devices only



# MSP430x13x, MSP430x14x, MSP430x14x1 MIXED SIGNAL MICROCONTROLLER

SLAS272F – JULY 2000 – REVISED JUNE 2004

## Terminal Functions (Continued)

### MSP430x13x, MSP430x14x (continued)

| TERMINAL<br>NAME                     | NO. | I/O | DESCRIPTION  |
|--------------------------------------|-----|-----|--|
| P5.6/ACLK                            | 50  | I/O | General-purpose digital I/O pin/auxiliary clock ACLK output  |
| P5.7/TBOUTH                          | 51  | I/O | General-purpose digital I/O pin/switch all PWM digital output ports to high impedance – Timer_B7: TB0 to TB6                                 |
| P6.0/A0                              | 59  | I/O | General-purpose digital I/O pin/analog input a0 – 12-bit ADC   |
| P6.1/A1                              | 60  | I/O | General-purpose digital I/O pin/analog input a1 – 12-bit ADC   |
| P6.2/A2                              | 61  | I/O | General-purpose digital I/O pin/analog input a2 – 12-bit ADC   |
| P6.3/A3                              | 2   | I/O | General-purpose digital I/O pin/analog input a3 – 12-bit ADC   |
| P6.4/A4                              | 3   | I/O | General-purpose digital I/O pin/analog input a4 – 12-bit ADC   |
| P6.5/A5                              | 4   | I/O | General-purpose digital I/O pin/analog input a5 – 12-bit ADC   |
| P6.6/A6                              | 5   | I/O | General-purpose digital I/O pin/analog input a6 – 12-bit ADC   |
| P6.7/A7                              | 6   | I/O | General-purpose digital I/O pin/analog input a7 – 12-bit ADC   |
| RST/NMI                              | 58  | I   | Reset input, nonmaskable interrupt input port, or bootstrap loader start (in Flash devices).   |
| TCK                                  | 57  | I   | Test clock. TCK is the clock input port for device programming test and bootstrap loader start (in Flash devices).                           |
| TDI/TCLK                             | 55  | I   | Test data input or test clock input. The device protection fuse is connected to TDI/TCLK.  |
| TDO/TDI                              | 54  | I/O | Test data output port. TDO/TDI data output or programming data input terminal  |
| TMS                                  | 56  | I   | Test mode select. TMS is used as an input port for device programming and test.  |
| V <sub>REF+</sub>                    | 10  | I   | Input for an external reference voltage to the ADC   |
| V <sub>REF+</sub>                    | 7   | O   | Output of positive terminal of the reference voltage in the ADC  |
| V <sub>REF-</sub> /V <sub>REF-</sub> | 11  | I   | Negative terminal for the ADC's reference voltage for both sources, the internal reference voltage, or an external applied reference voltage |
| XIN                                  | 8   | I   | Input port for crystal oscillator XT1. Standard or watch crystals can be connected.  |
| XOUT                                 | 9   | O   | Output terminal of crystal oscillator XT1  |
| XT2IN                                | 53  | I   | Input port for crystal oscillator XT2. Only standard crystals can be connected.  |
| XT2OUT                               | 52  | O   | Output terminal of crystal oscillator XT2  |
| QFN Pad                              | NA  | NA  | QFN package pad connection to DV <sub>SS</sub> recommended.  |

# MSP430x13x, MSP430x14x, MSP430x14x1 MIXED SIGNAL MICROCONTROLLER

SLAS272F – JULY 2000 – REVISED JUNE 2004

## Terminal Functions

### MSP430x14x1

| TERMINAL<br>NAME      | NO. | I/O | DESCRIPTION  |
|-----------------------|-----|-----|--|
| AV <sub>CC</sub>      | 64  |     | Analog supply voltage, positive terminal.  |
| AV <sub>SS</sub>      | 62  |     | Analog supply voltage, negative terminal.  |
| DV <sub>CC</sub>      | 1   |     | Digital supply voltage, positive terminal. Supplies all digital parts.                             |
| DV <sub>SS</sub>      | 63  |     | Digital supply voltage, negative terminal. Supplies all digital parts.                             |
| P1.0/TACLK            | 12  | I/O | General-purpose digital I/O pin/Timer_A, clock signal TACLK input                                  |
| P1.1/TA0              | 13  | I/O | General-purpose digital I/O pin/Timer_A, capture: CCI0A input, compare: Out0 output/BSL transmit   |
| P1.2/TA1              | 14  | I/O | General-purpose digital I/O pin/Timer_A, capture: CCI1A input, compare: Out1 output                |
| P1.3/TA2              | 15  | I/O | General-purpose digital I/O pin/Timer_A, capture: CCI2A input, compare: Out2 output                |
| P1.4/SMCLK            | 16  | I/O | General-purpose digital I/O pin/SMCLK signal output  |
| P1.5/TA0              | 17  | I/O | General-purpose digital I/O pin/Timer_A, compare: Out0 output                                      |
| P1.6/TA1              | 18  | I/O | General-purpose digital I/O pin/Timer_A, compare: Out1 output                                      |
| P1.7/TA2              | 19  | I/O | General-purpose digital I/O pin/Timer_A, compare: Out2 output                                      |
| P2.0/ACLK             | 20  | I/O | General-purpose digital I/O pin/ACLK output  |
| P2.1/TAINCLK          | 21  | I/O | General-purpose digital I/O pin/Timer_A, clock signal at INCLK                                     |
| P2.2/CAOUT/TA0        | 22  | I/O | General-purpose digital I/O pin/Timer_A, capture: CCI0B input/Comparator_A output/BSL receive      |
| P2.3/CA0/TA1          | 23  | I/O | General-purpose digital I/O pin/Timer_A, compare: Out1 output/Comparator_A input                   |
| P2.4/CA1/TA2          | 24  | I/O | General-purpose digital I/O pin/Timer_A, compare: Out2 output/Comparator_A input                   |
| P2.5/R <sub>OSC</sub> | 25  | I/O | General-purpose digital I/O pin/input for external resistor defining the DCO nominal frequency     |
| P2.6                  | 26  | I/O | General-purpose digital I/O pin  |
| P2.7/TA0              | 27  | I/O | General-purpose digital I/O pin/Timer_A, compare: Out0 output                                      |
| P3.0/STE0             | 28  | I/O | General-purpose digital I/O pin/slave transmit enable – USART0/SPI mode                            |
| P3.1/SIMO0            | 29  | I/O | General-purpose digital I/O pin/slave in/master out of USART0/SPI mode                             |
| P3.2/SOMI0            | 30  | I/O | General-purpose digital I/O pin/slave out/master in of USART0/SPI mode                             |
| P3.3/UCLK0            | 31  | I/O | General-purpose digital I/O/USART0 clock: external input – UART or SPI mode, output – SPI mode     |
| P3.4/UTXD0            | 32  | I/O | General-purpose digital I/O pin/transmit data out – USART0/UART mode                               |
| P3.5/URXD0            | 33  | I/O | General-purpose digital I/O pin/receive data in – USART0/UART mode                                 |
| P3.6/UTXD1            | 34  | I/O | General-purpose digital I/O pin/transmit data out – USART1/UART mode                               |
| P3.7/URXD1            | 35  | I/O | General-purpose digital I/O pin/receive data in – USART1/UART mode                                 |
| P4.0/TB0              | 36  | I/O | General-purpose digital I/O pin/Timer_B, capture: CCI0A or CCI0B input, compare: Out0 output       |
| P4.1/TB1              | 37  | I/O | General-purpose digital I/O pin/Timer_B, capture: CCI1A or CCI1B input, compare: Out1 output       |
| P4.2/TB2              | 38  | I/O | General-purpose digital I/O pin/Timer_B, capture: CCI2A or CCI2B input, compare: Out2 output       |
| P4.3/TB3              | 39  | I/O | General-purpose digital I/O pin/Timer_B, capture: CCI3A or CCI3B input, compare: Out3 output       |
| P4.4/TB4              | 40  | I/O | General-purpose digital I/O pin/Timer_B, capture: CCI4A or CCI4B input, compare: Out4 output       |
| P4.5/TB5              | 41  | I/O | General-purpose digital I/O pin/Timer_B, capture: CCI5A or CCI5B input, compare: Out5 output       |
| P4.6/TB6              | 42  | I/O | General-purpose digital I/O pin/Timer_B, capture: CCI6A or CCI6B input, compare: Out6 output       |
| P4.7/TBCLK            | 43  | I/O | General-purpose digital I/O pin/Timer_B, clock signal TBCLK input                                  |
| P5.0/STE1             | 44  | I/O | General-purpose digital I/O pin/slave transmit enable – USART1/SPI mode                            |
| P5.1/SIMO1            | 45  | I/O | General-purpose digital I/O pin/slave in/master out of USART1/SPI mode                             |
| P5.2/SOMI1            | 46  | I/O | General-purpose digital I/O pin/slave out/master in of USART1/SPI mode                             |
| P5.3/UCLK1            | 47  | I/O | General-purpose digital I/O pin/USART1 clock: external input – UART or SPI mode, output – SPI mode |
| P5.4/MCLK             | 48  | I/O | General-purpose digital I/O pin/main system clock MCLK output                                      |
| P5.5/SMCLK            | 49  | I/O | General-purpose digital I/O pin/submain system clock SMCLK output                                  |



# MSP430x13x, MSP430x14x, MSP430x14x1 MIXED SIGNAL MICROCONTROLLER

SLAS272F – JULY 2000 – REVISED JUNE 2004

## Terminal Functions (Continued)

### MSP430x14x1 (continued)

| TERMINAL<br>NAME | NO. | I/O | DESCRIPTION  |
|------------------|-----|-----|--|
| P5.6/ACLK        | 50  | I/O | General-purpose digital I/O pin/auxiliary clock ACLK output  |
| P5.7/TBOUTH      | 51  | I/O | General-purpose digital I/O pin/switch all PWM digital output ports to high impedance – Timer_B7: TB0 to TB6       |
| P6.0             | 59  | I/O | General-purpose digital I/O pin  |
| P6.1             | 60  | I/O | General-purpose digital I/O pin  |
| P6.2             | 61  | I/O | General-purpose digital I/O pin  |
| P6.3             | 2   | I/O | General-purpose digital I/O pin  |
| P6.4             | 3   | I/O | General-purpose digital I/O pin  |
| P6.5             | 4   | I/O | General-purpose digital I/O pin  |
| P6.6             | 5   | I/O | General-purpose digital I/O pin  |
| P6.7             | 6   | I/O | General-purpose digital I/O pin  |
| RST/NMI          | 58  | I   | Reset input, nonmaskable interrupt input port, or bootstrap loader start (in Flash devices).                       |
| TCK              | 57  | I   | Test clock. TCK is the clock input port for device programming test and bootstrap loader start (in Flash devices). |
| TDI/TCLK         | 55  | I   | Test data input or test clock input. The device protection fuse is connected to TDI/TCLK.                          |
| TDO/TDI          | 54  | I/O | Test data output port. TDO/TDI data output or programming data input terminal                                      |
| TMS              | 56  | I   | Test mode select. TMS is used as an input port for device programming and test.                                    |
| DVSS             | 10  | I   | Connect to DVSS  |
| Reserved         | 7   |     | Reserved, do not connect externally  |
| DVSS             | 11  | I   | Connect to DVSS  |
| XIN              | 8   | I   | Input port for crystal oscillator XT1. Standard or watch crystals can be connected.                                |
| XOUT             | 9   | O   | Output terminal of crystal oscillator XT1  |
| XT2IN            | 53  | I   | Input port for crystal oscillator XT2. Only standard crystals can be connected.                                    |
| XT2OUT           | 52  | O   | Output terminal of crystal oscillator XT2  |
| QFN Pad          | NA  | NA  | QFN package pad connection to DVSS recommended.  |



POST OFFICE BOX 655303 • DALLAS, TEXAS 75265

## short-form description

### CPU

The MSP430 CPU has a 16-bit RISC architecture that is highly transparent to the application. All operations, other than program-flow instructions, are performed as register operations in conjunction with seven addressing modes for source operand and four addressing modes for destination operand.

The CPU is integrated with 16 registers that provide reduced instruction execution time. The register-to-register operation execution time is one cycle of the CPU clock.

Four of the registers, R0 to R3, are dedicated as program counter, stack pointer, status register, and constant generator respectively. The remaining registers are general-purpose registers.

Peripherals are connected to the CPU using data, address, and control buses, and can be handled with all instructions.

### instruction set

The instruction set consists of 51 instructions with three formats and seven address modes. Each instruction can operate on word and byte data. Table 1 shows examples of the three types of instruction formats; the address modes are listed in Table 2.

|                          |           |
|--------------------------|-----------|
| Program Counter          | PC/R0     |
| Stack Pointer            | SP/R1     |
| Status Register          | SR/CG1/R2 |
| Constant Generator       | CG2/R3    |
| General-Purpose Register | R4        |
| General-Purpose Register | R5        |
| General-Purpose Register | R6        |
| General-Purpose Register | R7        |
| General-Purpose Register | R8        |
| General-Purpose Register | R9        |
| General-Purpose Register | R10       |
| General-Purpose Register | R11       |
| General-Purpose Register | R12       |
| General-Purpose Register | R13       |
| General-Purpose Register | R14       |
| General-Purpose Register | R15       |

**Table 1. Instruction Word Formats**

|                                   |                |                       |
|-----------------------------------|----------------|-----------------------|
| Dual operands, source-destination | e.g. ADD R4,R5 | R4 + R5 ----> R5      |
| Single operands, destination only | e.g. CALL R8   | PC -->(TOS), R8--> PC |
| Relative jump, un/conditional     | e.g. JNE       | Jump-on-equal bit = 0 |

**Table 2. Address Mode Descriptions**

| ADDRESS MODE           | S | D | SYNTAX          | EXAMPLE          | OPERATION                        |
|------------------------|---|---|-----------------|------------------|----------------------------------|
| Register               | ● | ● | MOV Rs,Rd       | MOV R10,R11      | R10 --> R11                      |
| Indexed                | ● | ● | MOV X(Rn),Y(Rm) | MOV 2(R5),6(R6)  | M(2+R5)--> M(6+R6)               |
| Symbolic (PC relative) | ● | ● | MOV EDE,TONI    |                  | M(EDE) --> M(TONI)               |
| Absolute               | ● | ● | MOV &MEM,&TCDAT |                  | M(MEM) --> M(TCDAT)              |
| Indirect               | ● |   | MOV @Rn,Y(Rm)   | MOV @R10,Tab(R6) | M(R10) --> M(Tab+R6)             |
| Indirect autoincrement | ● |   | MOV @Rn+,Rm     | MOV @R10+,R11    | M(R10) --> R11<br>R10 + 2--> R10 |
| Immediate              | ● |   | MOV #X,TONI     | MOV #45,TONI     | #45 --> M(TONI)                  |

NOTE: S = source      D = destination

# MSP430x13x, MSP430x14x, MSP430x14x1 MIXED SIGNAL MICROCONTROLLER

SLAS272F – JULY 2000 – REVISED JUNE 2004

---

## operating modes

The MSP430 has one active mode and five software selectable low-power modes of operation. An interrupt event can wake up the device from any of the five low-power modes, service the request and restore back to the low-power mode on return from the interrupt program.

The following six operating modes can be configured by software:

- Active mode AM;
  - All clocks are active
- Low-power mode 0 (LPM0);
  - CPU is disabled  
ACLK and SMCLK remain active. MCLK is disabled
- Low-power mode 1 (LPM1);
  - CPU is disabled  
ACLK and SMCLK remain active. MCLK is disabled  
DCO's dc-generator is disabled if DCO not used in active mode
- Low-power mode 2 (LPM2);
  - CPU is disabled  
MCLK and SMCLK are disabled  
DCO's dc-generator remains enabled  
ACLK remains active
- Low-power mode 3 (LPM3);
  - CPU is disabled  
MCLK and SMCLK are disabled  
DCO's dc-generator is disabled  
ACLK remains active
- Low-power mode 4 (LPM4);
  - CPU is disabled  
ACLK is disabled  
MCLK and SMCLK are disabled  
DCO's dc-generator is disabled  
Crystal oscillator is stopped



POST OFFICE BOX 655303 • DALLAS, TEXAS 75265

# MSP430x13x, MSP430x14x, MSP430x14x1 MIXED SIGNAL MICROCONTROLLER

SLAS272F – JULY 2000 – REVISED JUNE 2004

## interrupt vector addresses

The interrupt vectors and the power-up starting address are located in the address range 0FFFFh – 0FFE0h. The vector contains the 16-bit address of the appropriate interrupt-handler instruction sequence.

| INTERRUPT SOURCE   | INTERRUPT FLAG   | SYSTEM INTERRUPT                                | WORD ADDRESS | PRIORITY    |
|--|--|---|--------------|-------------|
| Power-up<br>External Reset<br>Watchdog<br>Flash memory   | WDTIFG<br>KEYV<br>(see Note 1)   | Reset   | 0FFFEh       | 15, highest |
| NMI<br>Oscillator Fault<br>Flash memory access violation | NMIIFG (see Notes 1 & 4)<br>OFIFG (see Notes 1 & 4)<br>ACCVIFG (see Notes 1 & 4) | (Non)maskable<br>(Non)maskable<br>(Non)maskable | 0FFFCh       | 14          |
| Timer_B7 (see Note 5)                                    | TBCCR0 CCIFG (see Note 2)  | Maskable  | 0FFFAh       | 13          |
| Timer_B7 (see Note 5)                                    | TBCCR1 to 6 CCIFGs,<br>TBIFG (see Notes 1 & 2)                                   | Maskable  | 0FFF8h       | 12          |
| Comparator_A   | CAIFG  | Maskable  | 0FFF6h       | 11          |
| Watchdog timer   | WDTIFG   | Maskable  | 0FFF4h       | 10          |
| USART0 receive   | URXIFG0  | Maskable  | 0FFF2h       | 9           |
| USART0 transmit  | UTXIFG0  | Maskable  | 0FFF0h       | 8           |
| ADC12 (see Note 6)                                       | ADC12IFG (see Notes 1 & 2)   | Maskable  | 0FEEh        | 7           |
| Timer_A3   | TACCR0 CCIFG (see Note 2)  | Maskable  | 0FFECh       | 6           |
| Timer_A3   | TACCR1 CCIFG,<br>TACCR2 CCIFG,<br>TAIFG (see Notes 1 & 2)                        | Maskable  | 0FEEAh       | 5           |
| I/O port P1 (eight flags)                                | P1IFG.0 to P1IFG.7<br>(see Notes 1 & 2)  | Maskable  | 0FFE8h       | 4           |
| USART1 receive   | URXIFG1  | Maskable  | 0FFE6h       | 3           |
| USART1 transmit  | UTXIFG1  |   | 0FFE4h       | 2           |
| I/O port P2 (eight flags)                                | P2IFG.0 to P2IFG.7<br>(see Notes 1 & 2)  | Maskable  | 0FFE2h       | 1           |
|  |  |   | 0FFE0h       | 0, lowest   |

- NOTES:
- Multiple source flags
  - Interrupt flags are located in the module.
  - Nonmaskable: neither the individual nor the general interrupt-enable bit will disable an interrupt event.
  - (Non)maskable: the individual interrupt-enable bit can disable an interrupt event, but the general-interrupt enable can not disable it.
  - Timer\_B7 in MSP430x14x(1) family has 7 CCRs; Timer\_B3 in MSP430x13x family has 3 CCRs. In Timer\_B3 there are only interrupt flags TBCCR0, 1, and 2 CCIFGs and the interrupt-enable bits TBCCTL0, 1, and 2 CCIEs.
  - ADC12 is not implemented on the 14x1 devices.

# MSP430x13x, MSP430x14x, MSP430x14x1 MIXED SIGNAL MICROCONTROLLER

SLAS272F – JULY 2000 – REVISED JUNE 2004

## special function registers

Most interrupt and module-enable bits are collected in the lowest address space. Special-function register bits not allocated to a functional purpose are not physically present in the device. This arrangement provides simple software access.

### interrupt enable 1 and 2

| Address | 7      | 6      | 5      | 4     | 3 | 2 | 1    | 0     |
|---------|--------|--------|--------|-------|---|---|------|-------|
| 0h      | UTXIE0 | URXIE0 | ACCVIE | NMIIE |   |   | OFIE | WDTIE |
|         | rw-0   | rw-0   | rw-0   | rw-0  |   |   | rw-0 | rw-0  |

WDTIE: Watchdog-timer interrupt enable. Inactive if watchdog mode is selected. Active if watchdog timer is configured in interval timer mode.

OFIE: Oscillator-fault-interrupt enable

NMIIE: Nonmaskable-interrupt enable

ACCVIE: Flash access violation interrupt enable

URXIE0: USART0: UART and SPI receive-interrupt enable

UTXIE0: USART0: UART and SPI transmit-interrupt enable

| Address | 7 | 6 | 5      | 4      | 3 | 2 | 1 | 0 |
|---------|---|---|--------|--------|---|---|---|---|
| 01h     |   |   | UTXIE1 | URXIE1 |   |   |   |   |
|         |   |   | rw-0   | rw-0   |   |   |   |   |

URXIE1: USART1: UART and SPI receive-interrupt enable

UTXIE1: USART1: UART and SPI transmit-interrupt enable

### interrupt flag register 1 and 2

| Address | 7       | 6       | 5 | 4      | 3 | 2 | 1     | 0      |
|---------|---------|---------|---|--------|---|---|-------|--------|
| 02h     | UTXIFG0 | URXIFG0 |   | NMIIFG |   |   | OFIFG | WDTIFG |
|         | rw-1    | rw-0    |   | rw-0   |   |   | rw-1  | rw-(0) |

WDTIFG: Set on watchdog timer overflow (in watchdog mode) or security key violation. Reset on  $V_{CC}$  power up or a reset condition at the  $\overline{RST}/NMI$  pin in reset mode.

OFIFG: Flag set on oscillator fault

NMIIFG: Set via  $\overline{RST}/NMI$  pin

URXIFG0: USART0: UART and SPI receive flag

UTXIFG0: USART0: UART and SPI transmit flag

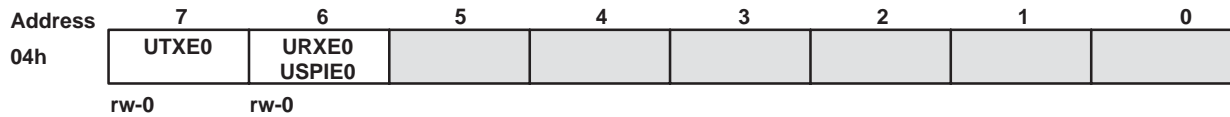
| Address | 7 | 6 | 5       | 4       | 3 | 2 | 1 | 0 |
|---------|---|---|---------|---------|---|---|---|---|
| 03h     |   |   | UTXIFG1 | URXIFG1 |   |   |   |   |
|         |   |   | rw-1    | rw-0    |   |   |   |   |

URXIFG1: USART1: UART and SPI receive flag

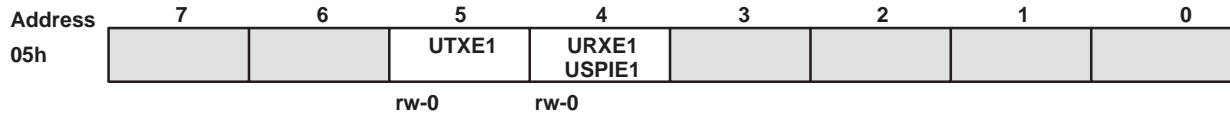
UTXIFG1: USART1: UART and SPI transmit flag



module enable registers 1 and 2



URXE0:      USART0: UART receive enable  
 UTXE0:      USART0: UART transmit enable  
 USPIE0:      USART0: SPI (synchronous peripheral interface) transmit and receive enable



URXE1:      USART1: UART receive enable  
 UTXE1:      USART1: UART transmit enable  
 USPIE1:      USART1: SPI (synchronous peripheral interface) transmit and receive enable

Legend: rw:                      Bit Can Be Read and Written  
 rw-0:                              Bit Can Be Read and Written. It Is Reset by PUC.  
      SFR Bit Not Present in Device

memory organization

|                   |                        | MSP430F133      | MSP430F135      | MSP430F147<br>MSP430F1471 | MSP430F148<br>MSP430F1481 | MSP430F149<br>MSP430F1491 |
|-------------------|------------------------|-----------------|-----------------|---------------------------|---------------------------|---------------------------|
| Memory            | Size                   | 8KB             | 16KB            | 32KB                      | 48KB                      | 60KB                      |
|                   | Main: interrupt vector | 0FFFFh – 0FFE0h | 0FFFFh – 0FFE0h | 0FFFFh – 0FFE0h           | 0FFFFh – 0FFE0h           | 0FFFFh – 0FFE0h           |
| Main: code memory | Flash                  | 0FFFFh – 0E000h | 0FFFFh – 0C000h | 0FFFFh – 08000h           | 0FFFFh – 04000h           | 0FFFFh – 01100h           |
|                   | Information memory     |                 |                 |                           |                           |                           |
| Boot memory       | Size                   | 256 Byte        | 256 Byte        | 256 Byte                  | 256 Byte                  | 256 Byte                  |
|                   | Flash                  | 010FFh – 01000h | 010FFh – 01000h | 010FFh – 01000h           | 010FFh – 01000h           | 010FFh – 01000h           |
| RAM               | Size                   | 1KB             | 1KB             | 1KB                       | 1KB                       | 1KB                       |
|                   | ROM                    | 0FFFh – 0C00h   | 0FFFh – 0C00h   | 0FFFh – 0C00h             | 0FFFh – 0C00h             | 0FFFh – 0C00h             |
| Peripherals       | Size                   | 256 Byte        | 512 Byte        | 1KB                       | 2KB                       | 2KB                       |
|                   | 16-bit                 | 02FFh – 0200h   | 03FFh – 0200h   | 05FFh – 0200h             | 09FFh – 0200h             | 09FFh – 0200h             |
|                   | 8-bit                  |                 |                 |                           |                           |                           |
| SFR               | 16-bit                 | 01FFh – 0100h   | 01FFh – 0100h   | 01FFh – 0100h             | 01FFh – 0100h             | 01FFh – 0100h             |
|                   | 8-bit                  | 0FFh – 010h     | 0FFh – 010h     | 0FFh – 010h               | 0FFh – 010h               | 0FFh – 010h               |
|                   | 8-bit                  | 0Fh – 00h       | 0Fh – 00h       | 0Fh – 00h                 | 0Fh – 00h                 | 0Fh – 00h                 |

bootstrap loader (BSL)

The MSP430 bootstrap loader (BSL) enables users to program the flash memory or RAM using a UART serial interface. Access to the MSP430 memory via the BSL is protected by user-defined password. For complete description of the features of the BSL and its implementation, see the Application report *Features of the MSP430 Bootstrap Loader*, Literature Number SLAA089.

| BSL Function  | PM, PAG & RTD Package Pins |
|---------------|----------------------------|
| Data Transmit | 13 - P1.1                  |
| Data Receive  | 22 - P2.2                  |

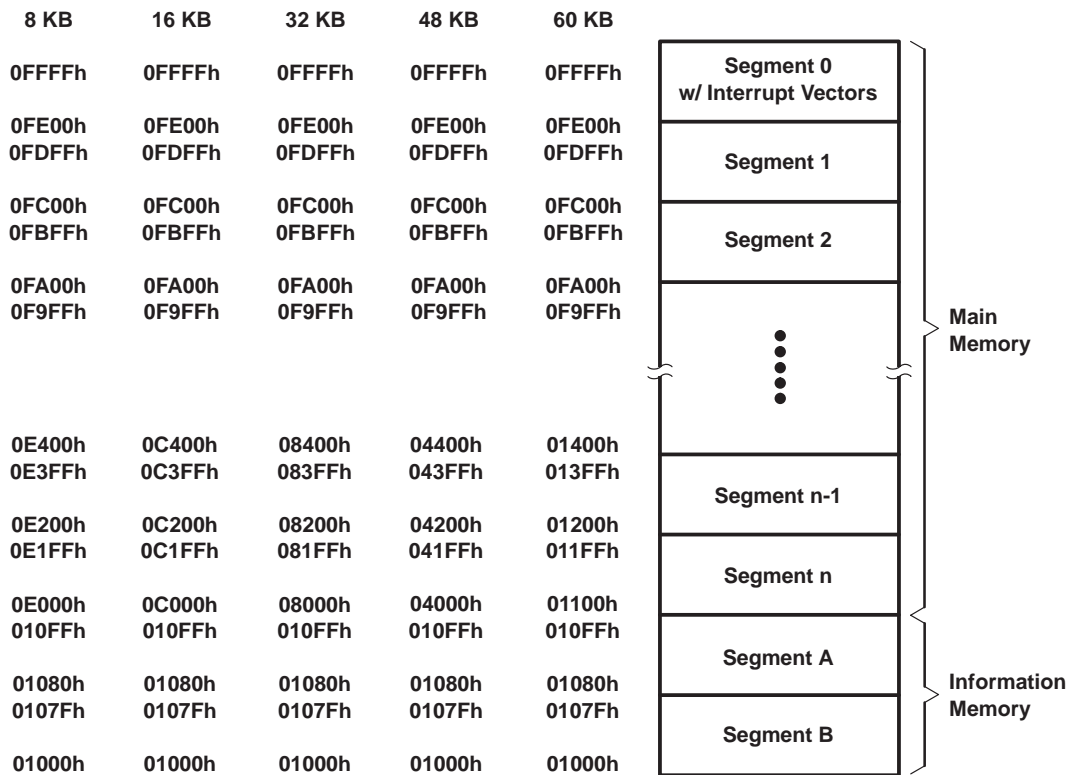
# MSP430x13x, MSP430x14x, MSP430x14x1 MIXED SIGNAL MICROCONTROLLER

SLAS272F – JULY 2000 – REVISED JUNE 2004

## flash memory

The flash memory can be programmed via the JTAG port, the bootstrap loader, or in-system by the CPU. The CPU can perform single-byte and single-word writes to the flash memory. Features of the flash memory include:

- Flash memory has n segments of main memory and two segments of information memory (A and B) of 128 bytes each. Each segment in main memory is 512 bytes in size.
- Segments 0 to n may be erased in one step, or each segment may be individually erased.
- Segments A and B can be erased individually, or as a group with segments 0–n. Segments A and B are also called *information memory*.
- New devices may have some bytes programmed in the information memory (needed for test during manufacturing). The user should perform an erase of the information memory prior to the first use.



## peripherals

Peripherals are connected to the CPU through data, address, and control busses and can be handled using all instructions. For complete module descriptions, see the *MSP430x1xx Family User's Guide*, literature number SLAU049.

## digital I/O

There are six 8-bit I/O ports implemented—ports P1 through P6:

- All individual I/O bits are independently programmable.
- Any combination of input, output, and interrupt conditions is possible.
- Edge-selectable interrupt input capability for all the eight bits of ports P1 and P2.
- Read/write access to port-control registers is supported by all instructions.

## oscillator and system clock

The clock system in the MSP430x13x and MSP43x14x(1) family of devices is supported by the basic clock module that includes support for a 32768-Hz watch crystal oscillator, an internal digitally-controlled oscillator (DCO) and a high frequency crystal oscillator. The basic clock module is designed to meet the requirements of both low system cost and low-power consumption. The internal DCO provides a fast turn-on clock source and stabilizes in less than 6  $\mu$ s. The basic clock module provides the following clock signals:

- Auxiliary clock (ACLK), sourced from a 32768-Hz watch crystal or a high frequency crystal.
- Main clock (MCLK), the system clock used by the CPU.
- Sub-Main clock (SMCLK), the sub-system clock used by the peripheral modules.

## watchdog timer

The primary function of the watchdog timer (WDT) module is to perform a controlled system restart after a software problem occurs. If the selected time interval expires, a system reset is generated. If the watchdog function is not needed in an application, the module can be configured as an interval timer and can generate interrupts at selected time intervals.

## hardware multiplier (MSP430x14x and MSP430x14x1 Only)

The multiplication operation is supported by a dedicated peripheral module. The module performs  $16 \times 16$ ,  $16 \times 8$ ,  $8 \times 16$ , and  $8 \times 8$  bit operations. The module is capable of supporting signed and unsigned multiplication as well as signed and unsigned multiply and accumulate operations. The result of an operation can be accessed immediately after the operands have been loaded into the peripheral registers. No additional clock cycles are required.

## USART0

The MSP430x13x and the MSP430x14x(1) have one hardware universal synchronous/asynchronous receive transmit (USART0) peripheral module that is used for serial data communication. The USART supports synchronous SPI (3 or 4 pin) and asynchronous UART communication protocols, using double-buffered transmit and receive channels.

## USART1 (MSP430x14x and MSP430x14x1 Only)

The MSP430x14x(1) has a second hardware universal synchronous/asynchronous receive transmit (USART1) peripheral module that is used for serial data communication. The USART supports synchronous SPI (3 or 4 pin) and asynchronous UART communication protocols, using double-buffered transmit and receive channels. Operation of USART1 is identical to USART0.

# MSP430x13x, MSP430x14x, MSP430x14x1 MIXED SIGNAL MICROCONTROLLER

SLAS272F – JULY 2000 – REVISED JUNE 2004

## comparator\_A

The primary function of the comparator\_A module is to support precision slope analog-to-digital conversions, battery-voltage supervision, and monitoring of external analog signals.

## ADC12 (Not implemented in the MSP430x14x1)

The ADC12 module supports fast, 12-bit analog-to-digital conversions. The module implements a 12-bit SAR core, sample select control, reference generator and a 16 word conversion-and-control buffer. The conversion-and-control buffer allows up to 16 independent ADC samples to be converted and stored without any CPU intervention.

## timer\_A3

Timer\_A3 is a 16-bit timer/counter with three capture/compare registers. Timer\_A3 can support multiple capture/compares, PWM outputs, and interval timing. Timer\_A3 also has extensive interrupt capabilities. Interrupts may be generated from the counter on overflow conditions and from each of the capture/compare registers.

| Timer_A3 Signal Connections |                     |                   |              |                      |                   |
|-----------------------------|---------------------|-------------------|--------------|----------------------|-------------------|
| Input Pin Number            | Device Input Signal | Module Input Name | Module Block | Module Output Signal | Output Pin Number |
| 12 - P1.0                   | TACLK               | TACLK             | Timer        | NA                   |                   |
|                             | ACLK                | ACLK              |              |                      |                   |
|                             | SMCLK               | SMCLK             |              |                      |                   |
| 21 - P2.1                   | TAINCLK             | INCLK             |              |                      |                   |
| 13 - P1.1                   | TA0                 | CCI0A             | CCR0         | TA0                  | 13 - P1.1         |
| 22 - P2.2                   | TA0                 | CCI0B             |              |                      | 17 - P1.5         |
|                             | DVSS                | GND               |              |                      | 27 - P2.7         |
|                             | DVCC                | VCC               |              |                      |                   |
| 14 - P1.2                   | TA1                 | CCI1A             | CCR1         | TA1                  | 14 - P1.2         |
|                             | CAOUT (internal)    | CCI1B             |              |                      | 18 - P1.6         |
|                             | DVSS                | GND               |              |                      | 23 - P2.3         |
|                             | DVCC                | VCC               |              |                      | ADC12 (internal)  |
| 15 - P1.3                   | TA2                 | CCI2A             | CCR2         | TA2                  | 15 - P1.3         |
|                             | ACLK (internal)     | CCI2B             |              |                      | 19 - P1.7         |
|                             | DVSS                | GND               |              |                      | 24 - P2.4         |
|                             | DVCC                | VCC               |              |                      |                   |

## timer\_B3 (MSP430x13x Only)

Timer\_B3 is a 16-bit timer/counter with three capture/compare registers. Timer\_B3 can support multiple capture/compares, PWM outputs, and interval timing. Timer\_B3 also has extensive interrupt capabilities. Interrupts may be generated from the counter on overflow conditions and from each of the capture/compare registers.



**timer\_B7 (MSP430x14x and MSP430x14x1 Only)**

Timer\_B7 is a 16-bit timer/counter with seven capture/compare registers. Timer\_B7 can support multiple capture/compares, PWM outputs, and interval timing. Timer\_B7 also has extensive interrupt capabilities. Interrupts may be generated from the counter on overflow conditions and from each of the capture/compare registers.

| Timer_B3/B7 Signal Connections <sup>†</sup> |                     |                   |              |                      |                   |
|---|---------------------|-------------------|--------------|----------------------|-------------------|
| Input Pin Number                            | Device Input Signal | Module Input Name | Module Block | Module Output Signal | Output Pin Number |
| 43 - P4.7                                   | TBCLK               | TBCLK             | Timer        | NA                   |                   |
|   | ACLK                | ACLK              |              |                      |                   |
|   | SMCLK               | SMCLK             |              |                      |                   |
| 43 - P4.7                                   | TBCLK               | INCLK             |              |                      |                   |
| 36 - P4.0                                   | TB0                 | CCI0A             | CCR0         | TB0                  | 36 - P4.0         |
| 36 - P4.0                                   | TB0                 | CCI0B             |              |                      | ADC12 (internal)  |
|   | DVSS                | GND               |              |                      |                   |
|   | DVCC                | VCC               |              |                      |                   |
| 37 - P4.1                                   | TB1                 | CCI1A             | CCR1         | TB1                  | 37 - P4.1         |
| 37 - P4.1                                   | TB1                 | CCI1B             |              |                      | ADC12 (internal)  |
|   | DVSS                | GND               |              |                      |                   |
|   | DVCC                | VCC               |              |                      |                   |
| 38 - P4.2                                   | TB2                 | CCI2A             | CCR2         | TB2                  | 38 - P4.2         |
| 38 - P4.2                                   | TB2                 | CCI2B             |              |                      |                   |
|   | DVSS                | GND               |              |                      |                   |
|   | DVCC                | VCC               |              |                      |                   |
| 39 - P4.3                                   | TB3                 | CCI3A             | CCR3         | TB3                  | 39 - P4.3         |
| 39 - P4.3                                   | TB3                 | CCI3B             |              |                      |                   |
|   | DVSS                | GND               |              |                      |                   |
|   | DVCC                | VCC               |              |                      |                   |
| 40 - P4.4                                   | TB4                 | CCI4A             | CCR4         | TB4                  | 40 - P4.4         |
| 40 - P4.4                                   | TB4                 | CCI4B             |              |                      |                   |
|   | DVSS                | GND               |              |                      |                   |
|   | DVCC                | VCC               |              |                      |                   |
| 41 - P4.5                                   | TB5                 | CCI5A             | CCR5         | TB5                  | 41 - P4.5         |
| 41 - P4.5                                   | TB5                 | CCI5B             |              |                      |                   |
|   | DVSS                | GND               |              |                      |                   |
|   | DVCC                | VCC               |              |                      |                   |
| 42 - P4.6                                   | TB6                 | CCI6A             | CCR6         | TB6                  | 42 - P4.6         |
|   | ACLK (internal)     | CCI6B             |              |                      |                   |
|   | DVSS                | GND               |              |                      |                   |
|   | DVCC                | VCC               |              |                      |                   |

<sup>†</sup> Timer\_B3 implements three capture/compare blocks (CCR0, CCR1 and CCR2 only).

# MSP430x13x, MSP430x14x, MSP430x14x1 MIXED SIGNAL MICROCONTROLLER

SLAS272F – JULY 2000 – REVISED JUNE 2004

## peripheral file map

| PERIPHERALS WITH WORD ACCESS  |                                      |         |       |
|---|--------------------------------------|---------|-------|
| <b>Watchdog</b>   | Watchdog Timer control               | WDTCTL  | 0120h |
| <b>Timer_B7/<br/>Timer_B3</b><br>(see Note 1)                             | Timer_B interrupt vector             | TBIV    | 011Eh |
|   | Timer_B control                      | TBCTL   | 0180h |
|   | Capture/compare control 0            | TBCCTL0 | 0182h |
|   | Capture/compare control 1            | TBCCTL1 | 0184h |
|   | Capture/compare control 2            | TBCCTL2 | 0186h |
|   | Capture/compare control 3            | TBCCTL3 | 0188h |
|   | Capture/compare control 4            | TBCCTL4 | 018Ah |
|   | Capture/compare control 5            | TBCCTL5 | 018Ch |
|   | Capture/compare control 6            | TBCCTL6 | 018Eh |
|   | Timer_B register                     | TBR     | 0190h |
|   | Capture/compare register 0           | TBCCR0  | 0192h |
|   | Capture/compare register 1           | TBCCR1  | 0194h |
|   | Capture/compare register 2           | TBCCR2  | 0196h |
|   | Capture/compare register 3           | TBCCR3  | 0198h |
| Capture/compare register 4  | TBCCR4                               | 019Ah   |       |
| Capture/compare register 5  | TBCCR5                               | 019Ch   |       |
| Capture/compare register 6  | TBCCR6                               | 019Eh   |       |
| <b>Timer_A3</b>   | Timer_A interrupt vector             | TAIV    | 012Eh |
|   | Timer_A control                      | TACTL   | 0160h |
|   | Capture/compare control 0            | TACCTL0 | 0162h |
|   | Capture/compare control 1            | TACCTL1 | 0164h |
|   | Capture/compare control 2            | TACCTL2 | 0166h |
|   | Reserved                             |         | 0168h |
|   | Reserved                             |         | 016Ah |
|   | Reserved                             |         | 016Ch |
|   | Reserved                             |         | 016Eh |
|   | Timer_A register                     | TAR     | 0170h |
|   | Capture/compare register 0           | TACCR0  | 0172h |
|   | Capture/compare register 1           | TACCR1  | 0174h |
|   | Capture/compare register 2           | TACCR2  | 0176h |
|   | Reserved                             |         | 0178h |
| Reserved  |                                      | 017Ah   |       |
| Reserved  |                                      | 017Ch   |       |
| Reserved  |                                      | 017Eh   |       |
| <b>Hardware<br/>Multiplier</b><br>(MSP430x14x and<br>MSP430x14x1<br>only) | Sum extend                           | SUMEXT  | 013Eh |
|   | Result high word                     | RESHI   | 013Ch |
|   | Result low word                      | RESLO   | 013Ah |
|   | Second operand                       | OP2     | 0138h |
|   | Multiply signed +accumulate/operand1 | MACS    | 0136h |
|   | Multiply+accumulate/operand1         | MAC     | 0134h |
|   | Multiply signed/operand1             | MPYS    | 0132h |
| Multiply unsigned/operand1  | MPY                                  | 0130h   |       |

NOTE 1: Timer\_B7 in MSP430x14x(1) family has 7 CCRs, Timer\_B3 in MSP430x13x family has 3 CCRs.



POST OFFICE BOX 655303 • DALLAS, TEXAS 75265

peripheral file map (continued)

| PERIPHERALS WITH WORD ACCESS (CONTINUED)         |                                |             |       |
|--|--------------------------------|-------------|-------|
| Flash  | Flash control 3                | FCTL3       | 012Ch |
|  | Flash control 2                | FCTL2       | 012Ah |
|  | Flash control 1                | FCTL1       | 0128h |
| ADC12<br>(Not implemented in<br>the MSP430x14x1) | Conversion memory 15           | ADC12MEM15  | 015Eh |
|  | Conversion memory 14           | ADC12MEM14  | 015Ch |
|  | Conversion memory 13           | ADC12MEM13  | 015Ah |
|  | Conversion memory 12           | ADC12MEM12  | 0158h |
|  | Conversion memory 11           | ADC12MEM11  | 0156h |
|  | Conversion memory 10           | ADC12MEM10  | 0154h |
|  | Conversion memory 9            | ADC12MEM9   | 0152h |
|  | Conversion memory 8            | ADC12MEM8   | 0150h |
|  | Conversion memory 7            | ADC12MEM7   | 014Eh |
|  | Conversion memory 6            | ADC12MEM6   | 014Ch |
|  | Conversion memory 5            | ADC12MEM5   | 014Ah |
|  | Conversion memory 4            | ADC12MEM4   | 0148h |
|  | Conversion memory 3            | ADC12MEM3   | 0146h |
|  | Conversion memory 2            | ADC12MEM2   | 0144h |
|  | Conversion memory 1            | ADC12MEM1   | 0142h |
|  | Conversion memory 0            | ADC12MEM0   | 0140h |
|  | Interrupt-vector-word register | ADC12IV     | 01A8h |
|  | Inerrupt-enable register       | ADC12IE     | 01A6h |
|  | Inerrupt-flag register         | ADC12IFG    | 01A4h |
|  | Control register 1             | ADC12CTL1   | 01A2h |
|  | Control register 0             | ADC12CTL0   | 01A0h |
|  | ADC memory-control register15  | ADC12MCTL15 | 08Fh  |
|  | ADC memory-control register14  | ADC12MCTL14 | 08Eh  |
|  | ADC memory-control register13  | ADC12MCTL13 | 08Dh  |
|  | ADC memory-control register12  | ADC12MCTL12 | 08Ch  |
|  | ADC memory-control register11  | ADC12MCTL11 | 08Bh  |
|  | ADC memory-control register10  | ADC12MCTL10 | 08Ah  |
|  | ADC memory-control register9   | ADC12MCTL9  | 089h  |
|  | ADC memory-control register8   | ADC12MCTL8  | 088h  |
|  | ADC memory-control register7   | ADC12MCTL7  | 087h  |
|  | ADC memory-control register6   | ADC12MCTL6  | 086h  |
|  | ADC memory-control register5   | ADC12MCTL5  | 085h  |
|  | ADC memory-control register4   | ADC12MCTL4  | 084h  |
|  | ADC memory-control register3   | ADC12MCTL3  | 083h  |
| ADC memory-control register2                     | ADC12MCTL2                     | 082h        |       |
| ADC memory-control register1                     | ADC12MCTL1                     | 081h        |       |
| ADC memory-control register0                     | ADC12MCTL0                     | 080h        |       |

# MSP430x13x, MSP430x14x, MSP430x14x1 MIXED SIGNAL MICROCONTROLLER

SLAS272F – JULY 2000 – REVISED JUNE 2004

## peripheral file map (continued)

| PERIPHERALS WITH BYTE ACCESS                       |                               |         |      |
|--|-------------------------------|---------|------|
| <b>USART1</b><br>(MSP430x14x and MSP430x14x1 only) | Transmit buffer               | U1TXBUF | 07Fh |
|  | Receive buffer                | U1RXBUF | 07Eh |
|  | Baud rate                     | U1BR1   | 07Dh |
|  | Baud rate                     | U1BR0   | 07Ch |
|  | Modulation control            | U1MCTL  | 07Bh |
|  | Receive control               | U1RCTL  | 07Ah |
|  | Transmit control              | U1TCTL  | 079h |
|  | USART control                 | U1CTL   | 078h |
| <b>USART0</b>                                      | Transmit buffer               | U0TXBUF | 077h |
|  | Receive buffer                | U0RXBUF | 076h |
|  | Baud rate                     | U0BR1   | 075h |
|  | Baud rate                     | U0BR0   | 074h |
|  | Modulation control            | U0MCTL  | 073h |
|  | Receive control               | U0RCTL  | 072h |
|  | Transmit control              | U0TCTL  | 071h |
|  | USART control                 | U0CTL   | 070h |
| <b>Comparator_A</b>                                | Comparator_A port disable     | CAPD    | 05Bh |
|  | Comparator_A control2         | CACTL2  | 05Ah |
|  | Comparator_A control1         | CACTL1  | 059h |
| <b>Basic Clock</b>                                 | Basic clock system control2   | BCSCTL2 | 058h |
|  | Basic clock system control1   | BCSCTL1 | 057h |
|  | DCO clock frequency control   | DCOCTL  | 056h |
| <b>Port P6</b>                                     | Port P6 selection             | P6SEL   | 037h |
|  | Port P6 direction             | P6DIR   | 036h |
|  | Port P6 output                | P6OUT   | 035h |
|  | Port P6 input                 | P6IN    | 034h |
| <b>Port P5</b>                                     | Port P5 selection             | P5SEL   | 033h |
|  | Port P5 direction             | P5DIR   | 032h |
|  | Port P5 output                | P5OUT   | 031h |
|  | Port P5 input                 | P5IN    | 030h |
| <b>Port P4</b>                                     | Port P4 selection             | P4SEL   | 01Fh |
|  | Port P4 direction             | P4DIR   | 01Eh |
|  | Port P4 output                | P4OUT   | 01Dh |
|  | Port P4 input                 | P4IN    | 01Ch |
| <b>Port P3</b>                                     | Port P3 selection             | P3SEL   | 01Bh |
|  | Port P3 direction             | P3DIR   | 01Ah |
|  | Port P3 output                | P3OUT   | 019h |
|  | Port P3 input                 | P3IN    | 018h |
| <b>Port P2</b>                                     | Port P2 selection             | P2SEL   | 02Eh |
|  | Port P2 interrupt enable      | P2IE    | 02Dh |
|  | Port P2 interrupt-edge select | P2IES   | 02Ch |
|  | Port P2 interrupt flag        | P2IFG   | 02Bh |
|  | Port P2 direction             | P2DIR   | 02Ah |
|  | Port P2 output                | P2OUT   | 029h |
|  | Port P2 input                 | P2IN    | 028h |



POST OFFICE BOX 655303 • DALLAS, TEXAS 75265

peripheral file map (continued)

| PERIPHERALS WITH BYTE ACCESS (CONTINUED) |                               |       |      |
|--|-------------------------------|-------|------|
| <b>Port P1</b>                           | Port P1 selection             | P1SEL | 026h |
|  | Port P1 interrupt enable      | P1IE  | 025h |
|  | Port P1 interrupt-edge select | P1IES | 024h |
|  | Port P1 interrupt flag        | P1IFG | 023h |
|  | Port P1 direction             | P1DIR | 022h |
|  | Port P1 output                | P1OUT | 021h |
|  | Port P1 input                 | P1IN  | 020h |
| <b>Special Functions</b>                 | SFR module enable 2           | ME2   | 005h |
|  | SFR module enable 1           | ME1   | 004h |
|  | SFR interrupt flag2           | IFG2  | 003h |
|  | SFR interrupt flag1           | IFG1  | 002h |
|  | SFR interrupt enable2         | IE2   | 001h |
|  | SFR interrupt enable1         | IE1   | 000h |

absolute maximum ratings over operating free-air temperature (unless otherwise noted)†

|   |                          |
|---|--------------------------|
| Voltage applied at $V_{CC}$ to $V_{SS}$ .....   | -0.3 V to + 4.1 V        |
| Voltage applied to any pin (see Note) .....     | -0.3 V to $V_{CC}+0.3$ V |
| Diode current at any device terminal . . . . .  | $\pm 2$ mA               |
| Storage temperature (unprogrammed device) ..... | -55°C to 150°C           |
| Storage temperature (programmed device) .....   | -40°C to 85°C            |

† Stresses beyond those listed under “absolute maximum ratings” may cause permanent damage to the device. These are stress ratings only, and functional operation of the device at these or any other conditions beyond those indicated under “recommended operating conditions” is not implied. Exposure to absolute-maximum-rated conditions for extended periods may affect device reliability.

NOTE: All voltages referenced to  $V_{SS}$ . The JTAG fuse-blow voltage,  $V_{FB}$ , is allowed to exceed the absolute maximum rating. The voltage is applied to the TDI/TCLK pin when blowing the JTAG fuse.

# MSP430x13x, MSP430x14x, MSP430x14x1 MIXED SIGNAL MICROCONTROLLER

SLAS272F – JULY 2000 – REVISED JUNE 2004

## recommended operating conditions

| PARAMETER   |                     | MIN                          | NOM   | MAX | UNITS |     |
|---|---------------------|------------------------------|-------|-----|-------|-----|
| Supply voltage during program execution, $V_{CC}$ ( $AV_{CC} = DV_{CC} = V_{CC}$ )        |                     | MSP430F13x,<br>MSP430F14x(1) | 1.8   |     | 3.6   | V   |
| Supply voltage during flash memory programming, $V_{CC}$ ( $AV_{CC} = DV_{CC} = V_{CC}$ ) |                     | MSP430F13x,<br>MSP430F14x(1) | 2.7   |     | 3.6   | V   |
| Supply voltage, $V_{SS}$ ( $AV_{SS} = DV_{SS} = V_{SS}$ )                                 |                     |                              | 0.0   |     | 0.0   | V   |
| Operating free-air temperature range, $T_A$   |                     | MSP430x13x<br>MSP430x14x(1)  | -40   |     | 85    | °C  |
| LFXT1 crystal frequency, $f_{(LFXT1)}$<br>(see Notes 1 and 2)                             | LF selected, XTS=0  | Watch crystal                | 32768 |     |       | Hz  |
|   | XT1 selected, XTS=1 | Ceramic resonator            | 450   |     | 8000  | kHz |
|   | XT1 selected, XTS=1 | Crystal                      | 1000  |     | 8000  | kHz |
| XT2 crystal frequency, $f_{(XT2)}$  |                     | Ceramic resonator            | 450   |     | 8000  | kHz |
|   |                     | Crystal                      | 1000  |     | 8000  |     |
| Processor frequency (signal MCLK), $f_{(System)}$   |                     | $V_{CC} = 1.8\text{ V}$      | DC    |     | 4.15  | MHz |
|   |                     | $V_{CC} = 3.6\text{ V}$      | DC    |     | 8     |     |

- NOTES: 1. In LF mode, the LFXT1 oscillator requires a watch crystal. A 5.1MΩ resistor from XOUT to  $V_{SS}$  is recommended when  $V_{CC} < 2.5\text{ V}$ . In XT1 mode, the LFXT1 and XT2 oscillators accept a ceramic resonator or crystal up to 4.15MHz at  $V_{CC} \geq 2.2\text{ V}$ . In XT1 mode, the LFXT1 and XT2 oscillators accept a ceramic resonator or crystal up to 8MHz at  $V_{CC} \geq 2.8\text{ V}$ .
2. In LF mode, the LFXT1 oscillator requires a watch crystal. In XT1 mode, LFXT1 accepts a ceramic resonator or a crystal.

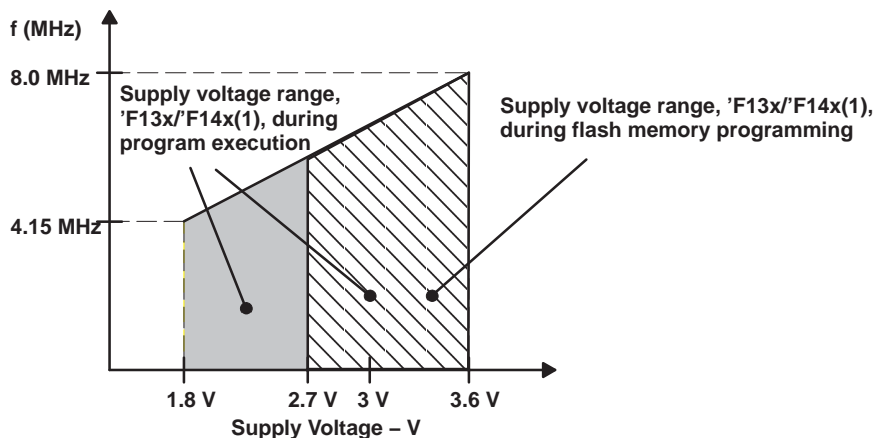


Figure 1. Frequency vs Supply Voltage, MSP430F13x or MSP430F14x(1)

electrical characteristics over recommended operating free-air temperature (unless otherwise noted)

supply current into AV<sub>CC</sub> + DV<sub>CC</sub> excluding external current

| PARAMETER           |   | TEST CONDITIONS                |                         | MIN                   | NOM | MAX | UNIT |  |
|---------------------|---|--------------------------------|-------------------------|-----------------------|-----|-----|------|--|
| I <sub>(AM)</sub>   | Active mode, (see Note 1)<br>f(MCLK) = f(SMCLK) = 1 MHz,<br>f(ACLK) = 32,768 Hz<br>XTS=0, SELM=(0,1)                    | T <sub>A</sub> = -40°C to 85°C | V <sub>CC</sub> = 2.2 V | 280                   | 350 |     | μA   |  |
|                     |   |                                | V <sub>CC</sub> = 3 V   | 420                   | 560 |     |      |  |
| I <sub>(AM)</sub>   | Active mode, (see Note 1)<br>f(MCLK) = f(SMCLK) = 4 096 Hz,<br>f(ACLK) = 4,096 Hz<br>XTS=0, SELM=(0,1)<br>XTS=0, SELM=3 | T <sub>A</sub> = -40°C to 85°C | V <sub>CC</sub> = 2.2 V | 2.5                   | 7   |     | μA   |  |
|                     |   |                                | V <sub>CC</sub> = 3 V   | 9                     | 20  |     |      |  |
| I <sub>(LPM0)</sub> | Low-power mode, (LPM0)<br>(see Note 1)  | T <sub>A</sub> = -40°C to 85°C | V <sub>CC</sub> = 2.2 V | 32                    | 45  |     | μA   |  |
|                     |   |                                | V <sub>CC</sub> = 3 V   | 55                    | 70  |     |      |  |
| I <sub>(LPM2)</sub> | Low-power mode, (LPM2),<br>f(MCLK) = f(SMCLK) = 0 MHz,<br>f(ACLK) = 32.768 Hz, SCG0 = 0                                 | T <sub>A</sub> = -40°C to 85°C | V <sub>CC</sub> = 2.2 V | 11                    | 14  |     | μA   |  |
|                     |   |                                | V <sub>CC</sub> = 3 V   | 17                    | 22  |     |      |  |
| I <sub>(LPM3)</sub> | Low-power mode, (LPM3)<br>f(MCLK) = f(SMCLK) = 0 MHz,<br>f(ACLK) = 32,768 Hz, SCG0 = 1 (see Note 2)                     | T <sub>A</sub> = -40°C         | V <sub>CC</sub> = 2.2 V | 0.8                   | 1.5 |     | μA   |  |
|                     |   |                                |                         | T <sub>A</sub> = 25°C | 0.9 | 1.5 |      |  |
|                     |   |                                |                         | T <sub>A</sub> = 85°C | 1.6 | 2.8 |      |  |
|                     |   | T <sub>A</sub> = -40°C         | V <sub>CC</sub> = 3 V   | 1.8                   | 2.2 |     | μA   |  |
|                     |   |                                |                         | T <sub>A</sub> = 25°C | 1.6 | 1.9 |      |  |
|                     |   |                                |                         | T <sub>A</sub> = 85°C | 2.3 | 3.9 |      |  |
| I <sub>(LPM4)</sub> | Low-power mode, (LPM4)<br>f(MCLK) = 0 MHz, f(SMCLK) = 0 MHz,<br>f(ACLK) = 0 Hz, SCG0 = 1                                | T <sub>A</sub> = -40°C         | V <sub>CC</sub> = 2.2 V | 0.1                   | 0.5 |     | μA   |  |
|                     |   |                                |                         | T <sub>A</sub> = 25°C | 0.1 | 0.5 |      |  |
|                     |   |                                |                         | T <sub>A</sub> = 85°C | 0.8 | 2.5 |      |  |
|                     |   | T <sub>A</sub> = -40°C         | V <sub>CC</sub> = 3 V   | 0.1                   | 0.5 |     | μA   |  |
|                     |   |                                |                         | T <sub>A</sub> = 25°C | 0.1 | 0.5 |      |  |
|                     |   |                                |                         | T <sub>A</sub> = 85°C | 0.8 | 2.5 |      |  |

- NOTES: 1. Timer\_B is clocked by f(DCOCLK) = 1 MHz. All inputs are tied to 0 V or to V<sub>CC</sub>. Outputs do not source or sink any current.  
2. Timer\_B is clocked by f(ACLK) = 32,768 Hz. All inputs are tied to 0 V or to V<sub>CC</sub>. Outputs do not source or sink any current. The current consumption in LPM2 and LPM3 are measured with ACLK selected.

Current consumption of active mode versus system frequency, F-version

$$I_{(AM)} = I_{(AM)} [1 \text{ MHz}] \times f(\text{System}) [\text{MHz}]$$

Current consumption of active mode versus supply voltage, F-version

$$I_{(AM)} = I_{(AM)} [3 \text{ V}] + 175 \mu\text{A/V} \times (V_{CC} - 3 \text{ V})$$

# MSP430x13x, MSP430x14x, MSP430x14x1 MIXED SIGNAL MICROCONTROLLER

SLAS272F – JULY 2000 – REVISED JUNE 2004

electrical characteristics over recommended operating free-air temperature (unless otherwise noted) (continued)

## SCHMITT-trigger inputs – Ports P1, P2, P3, P4, P5, and P6

| PARAMETER        |   | TEST CONDITIONS         | MIN  | TYP | MAX | UNIT |
|------------------|---|-------------------------|------|-----|-----|------|
| V <sub>IT+</sub> | Positive-going input threshold voltage                          | V <sub>CC</sub> = 2.2 V | 1.1  |     | 1.5 | V    |
|                  |   | V <sub>CC</sub> = 3 V   | 1.5  |     | 1.9 |      |
| V <sub>IT-</sub> | Negative-going input threshold voltage                          | V <sub>CC</sub> = 2.2 V | 0.4  |     | 0.9 | V    |
|                  |   | V <sub>CC</sub> = 3 V   | 0.90 |     | 1.3 |      |
| V <sub>hys</sub> | Input voltage hysteresis (V <sub>IT+</sub> – V <sub>IT-</sub> ) | V <sub>CC</sub> = 2.2 V | 0.3  |     | 1.1 | V    |
|                  |   | V <sub>CC</sub> = 3 V   | 0.5  |     | 1   |      |

## standard inputs – $\overline{RST}/NMI$ ; JTAG: TCK, TMS, TDI/TCLK, TDO/TDI

| PARAMETER       |                          | TEST CONDITIONS               | MIN                 | TYP | MAX                  | UNIT |
|-----------------|--------------------------|-------------------------------|---------------------|-----|----------------------|------|
| V <sub>IL</sub> | Low-level input voltage  | V <sub>CC</sub> = 2.2 V / 3 V | V <sub>SS</sub>     |     | V <sub>SS</sub> +0.6 | V    |
| V <sub>IH</sub> | High-level input voltage |                               | 0.8×V <sub>CC</sub> |     | V <sub>CC</sub>      | V    |

## inputs Px.x, TA<sub>x</sub>, TB<sub>x</sub>

| PARAMETER            |  | TEST CONDITIONS   | V <sub>CC</sub> | MIN | TYP | MAX | UNIT  |
|----------------------|--|---|-----------------|-----|-----|-----|-------|
| t <sub>(int)</sub>   | External interrupt timing                                  | Port P1, P2: P1.x to P2.x, external trigger signal for the interrupt flag, (see Note 1) | 2.2 V/3 V       | 1.5 |     |     | cycle |
|                      |  |   | 2.2 V           | 62  |     |     | ns    |
|                      |  |   | 3 V             | 50  |     |     |       |
| t <sub>(cap)</sub>   | Timer_A, Timer_B capture timing                            | TA0, TA1, TA2<br>TB0, TB1, TB2, TB3, TB4, TB5, TB6 (see Note 2)                         | 2.2 V           | 62  |     |     | ns    |
|                      |  |   | 3 V             | 50  |     |     |       |
| f <sub>(TAext)</sub> | Timer_A, Timer_B clock frequency externally applied to pin | TACLK, TBCLK, INCLK: t <sub>(H)</sub> = t <sub>(L)</sub>                                | 2.2 V           |     |     | 8   | MHz   |
| f <sub>(TBext)</sub> |  |   | 3 V             |     |     | 10  |       |
| f <sub>(TAint)</sub> | Timer_A, Timer_B clock frequency                           | SMCLK or ACLK signal selected   | 2.2 V           |     |     | 8   | MHz   |
| f <sub>(TBint)</sub> |  |   | 3 V             |     |     | 10  |       |

- NOTES: 1. The external signal sets the interrupt flag every time the minimum t<sub>(int)</sub> cycle and time parameters are met. It may be set even with trigger signals shorter than t<sub>(int)</sub>. Both the cycle and timing specifications must be met to ensure the flag is set. t<sub>(int)</sub> is measured in MCLK cycles.
2. Seven capture/compare registers in 'x14x(1) and three capture/compare registers in 'x13x.

## leakage current (see Note 1)

| PARAMETER               |                              | TEST CONDITIONS |  | MIN                         | TYP | MAX | UNIT |
|-------------------------|------------------------------|-----------------|--|-----------------------------|-----|-----|------|
| I <sub>lkg</sub> (P1.x) | Leakage current (see Note 1) | Port P1         | V <sub>(P1.x)</sub> (see Note 2)                     |                             |     | ±50 | nA   |
| I <sub>lkg</sub> (P2.x) |                              | Port P2         | V <sub>(P2.3)</sub> V <sub>(P2.4)</sub> (see Note 2) | V <sub>CC</sub> = 2.2 V/3 V |     | ±50 |      |
| I <sub>lkg</sub> (P6.x) |                              | Port P6         | V <sub>(P6.x)</sub> (see Note 2)                     |                             |     | ±50 |      |

- NOTES: 1. The leakage current is measured with V<sub>SS</sub> or V<sub>CC</sub> applied to the corresponding pin(s), unless otherwise noted.
2. The port pin must be selected as input and there must be no optional pullup or pulldown resistor.



# MSP430x13x, MSP430x14x, MSP430x14x1 MIXED SIGNAL MICROCONTROLLER

SLAS272F – JULY 2000 – REVISED JUNE 2004

electrical characteristics over recommended operating free-air temperature (unless otherwise noted) (continued)

## outputs – Ports P1, P2, P3, P4, P5, and P6

| PARAMETER                                 | TEST CONDITIONS  | MIN                   | TYP | MAX                   | UNIT |
|---|--|-----------------------|-----|-----------------------|------|
| V <sub>OH</sub> High-level output voltage | I <sub>OH(max)</sub> = -1 mA, V <sub>CC</sub> = 2.2 V, See Note 1  | V <sub>CC</sub> -0.25 |     | V <sub>CC</sub>       | V    |
|   | I <sub>OH(max)</sub> = -6 mA, V <sub>CC</sub> = 2.2 V, See Note 2  | V <sub>CC</sub> -0.6  |     | V <sub>CC</sub>       |      |
|   | I <sub>OH(max)</sub> = -1 mA, V <sub>CC</sub> = 3 V, See Note 1    | V <sub>CC</sub> -0.25 |     | V <sub>CC</sub>       |      |
|   | I <sub>OH(max)</sub> = -6 mA, V <sub>CC</sub> = 3 V, See Note 2    | V <sub>CC</sub> -0.6  |     | V <sub>CC</sub>       |      |
| V <sub>OL</sub> Low-level output voltage  | I <sub>OL(max)</sub> = 1.5 mA, V <sub>CC</sub> = 2.2 V, See Note 1 | V <sub>SS</sub>       |     | V <sub>SS</sub> +0.25 | V    |
|   | I <sub>OL(max)</sub> = 6 mA, V <sub>CC</sub> = 2.2 V, See Note 2   | V <sub>SS</sub>       |     | V <sub>SS</sub> +0.6  |      |
|   | I <sub>OL(max)</sub> = 1.5 mA, V <sub>CC</sub> = 3 V, See Note 1   | V <sub>SS</sub>       |     | V <sub>SS</sub> +0.25 |      |
|   | I <sub>OL(max)</sub> = 6 mA, V <sub>CC</sub> = 3 V, See Note 2     | V <sub>SS</sub>       |     | V <sub>SS</sub> +0.6  |      |

- NOTES: 1. The maximum total current, I<sub>OH(max)</sub> and I<sub>OL(max)</sub>, for all outputs combined, should not exceed ±6 mA to satisfy the maximum specified voltage drop.  
 2. The maximum total current, I<sub>OH(max)</sub> and I<sub>OL(max)</sub>, for all outputs combined, should not exceed ±24 mA to satisfy the maximum specified voltage drop.

## output frequency

| PARAMETER   | TEST CONDITIONS   | MIN  | TYP           | MAX                 | UNIT          |               |
|---|---|--|---------------|---------------------|---------------|---------------|
| f <sub>TAX</sub> TA0..2, TB0–TB6, Internal clock source, SMCLK signal applied (see Note 1)  | C <sub>L</sub> = 20 pF  | DC   |               | f <sub>System</sub> | MHz           |               |
| f <sub>ACLK</sub> , f <sub>MCLK</sub> , f <sub>SMCLK</sub> P5.6/ACLK, P5.4/MCLK, P5.5/SMCLK | C <sub>L</sub> = 20 pF  |  |               | f <sub>System</sub> |               |               |
| t <sub>Xdc</sub> Duty cycle of output frequency,  | P2.0/ACLK<br>C <sub>L</sub> = 20 pF,<br>V <sub>CC</sub> = 2.2 V / 3 V   | f <sub>ACLK</sub> = f <sub>LFXT1</sub> = f <sub>XT1</sub>  |               | 40%                 | 60%           |               |
|   |   | f <sub>ACLK</sub> = f <sub>LFXT1</sub> = f <sub>LF</sub>   |               | 30%                 | 70%           |               |
|   |   | f <sub>ACLK</sub> = f <sub>LFXT1/n</sub>                   |               |                     | 50%           |               |
|   | P1.4/SMCLK,<br>C <sub>L</sub> = 20 pF,<br>V <sub>CC</sub> = 2.2 V / 3 V | f <sub>SMCLK</sub> = f <sub>LFXT1</sub> = f <sub>XT1</sub> |               |                     | 40%           | 60%           |
|   |   | f <sub>SMCLK</sub> = f <sub>LFXT1</sub> = f <sub>LF</sub>  |               |                     | 35%           | 65%           |
|   |   | f <sub>SMCLK</sub> = f <sub>LFXT1/n</sub>                  |               | 50%–<br>15 ns       | 50%           | 50%–<br>15 ns |
|   | f <sub>SMCLK</sub> = f <sub>DCOCLK</sub>                                |  | 50%–<br>15 ns | 50%                 | 50%–<br>15 ns |               |

NOTE 1: The limits of the system clock MCLK has to be met; the system (MCLK) frequency should not exceed the limits. MCLK and SMCLK frequencies can be different.

# MSP430x13x, MSP430x14x, MSP430x14x1 MIXED SIGNAL MICROCONTROLLER

SLAS272F – JULY 2000 – REVISED JUNE 2004

electrical characteristics over recommended operating free-air temperature (unless otherwise noted) (continued)

outputs – Ports P1, P2, P3, P4, P5, and P6 (continued)

TYPICAL LOW-LEVEL OUTPUT CURRENT  
vs  
LOW-LEVEL OUTPUT VOLTAGE

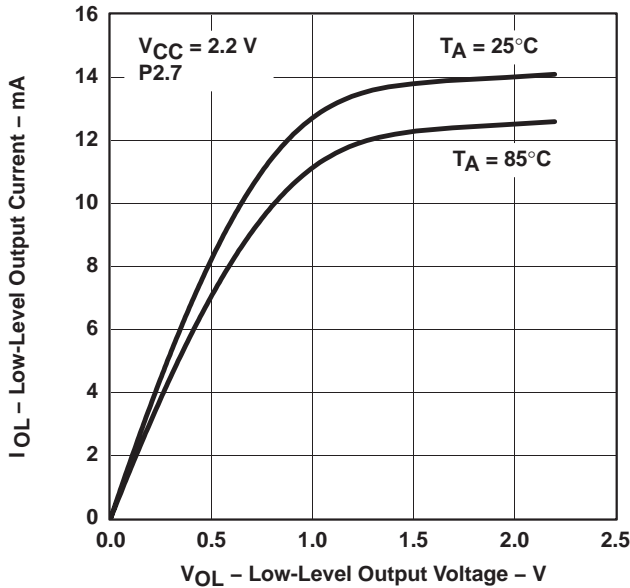


Figure 2

TYPICAL LOW-LEVEL OUTPUT CURRENT  
vs  
LOW-LEVEL OUTPUT VOLTAGE

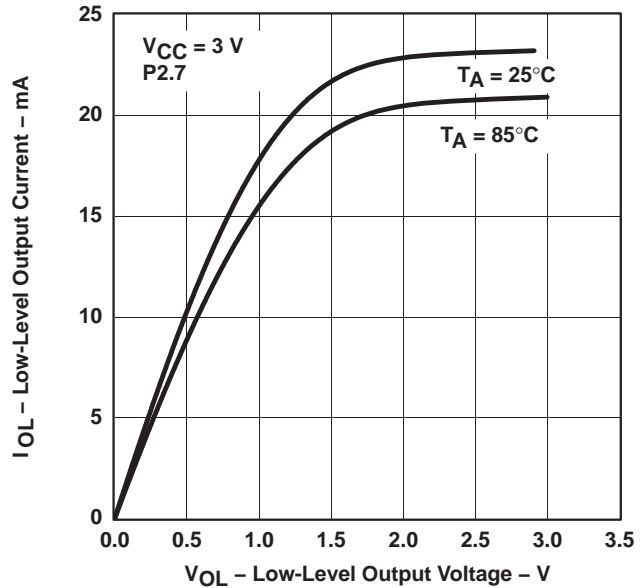


Figure 3

TYPICAL HIGH-LEVEL OUTPUT CURRENT  
vs  
HIGH-LEVEL OUTPUT VOLTAGE

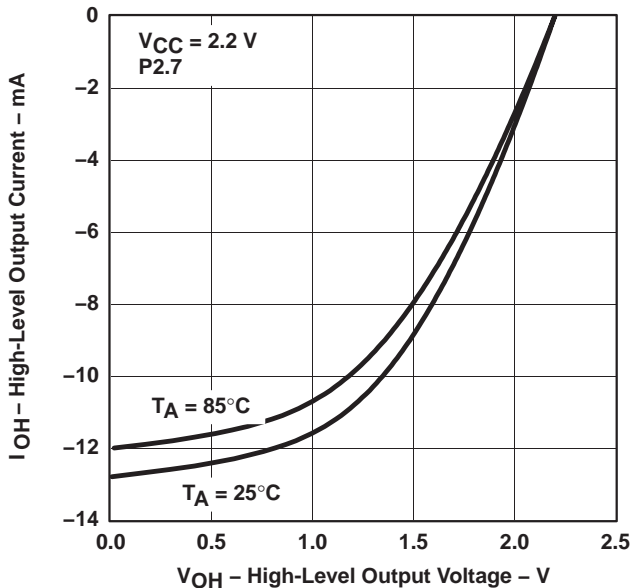


Figure 4

TYPICAL HIGH-LEVEL OUTPUT CURRENT  
vs  
HIGH-LEVEL OUTPUT VOLTAGE

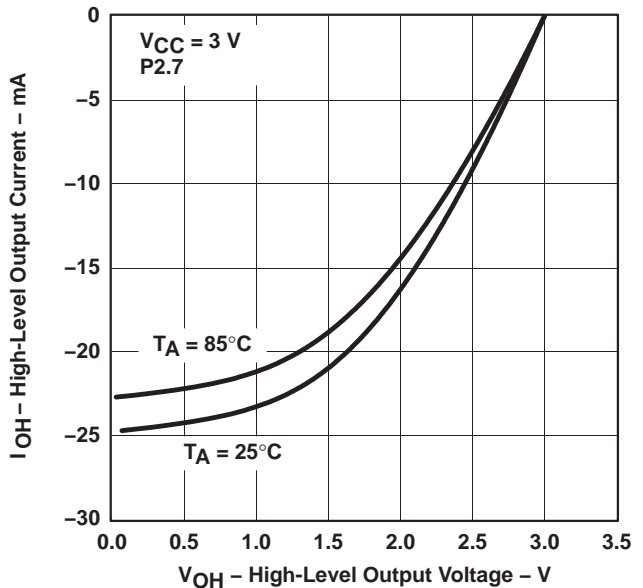


Figure 5

# MSP430x13x, MSP430x14x, MSP430x14x1 MIXED SIGNAL MICROCONTROLLER

SLAS272F – JULY 2000 – REVISED JUNE 2004

electrical characteristics over recommended operating free-air temperature (unless otherwise noted) (continued)

## wake-up LPM3

| PARAMETER                      | TEST CONDITIONS |                             | MIN | TYP | MAX | UNIT |
|--------------------------------|-----------------|-----------------------------|-----|-----|-----|------|
| t <sub>(LPM3)</sub> Delay time | f = 1 MHz       | V <sub>CC</sub> = 2.2 V/3 V |     |     | 6   | μs   |
|                                | f = 2 MHz       |                             |     |     | 6   |      |
|                                | f = 3 MHz       |                             |     |     | 6   |      |

## RAM

| PARAMETER         | TEST CONDITIONS         | MIN | TYP | MAX | UNIT |
|-------------------|-------------------------|-----|-----|-----|------|
| V <sub>RAMh</sub> | CPU HALTED (see Note 1) | 1.6 |     |     | V    |

NOTE 1: This parameter defines the minimum supply voltage when the data in program memory RAM remain unchanged. No program execution should take place during this supply voltage condition.

## Comparator\_A (see Note 1)

| PARAMETER   | TEST CONDITIONS   | MIN                         | TYP  | MAX                | UNIT |    |
|---|---|-----------------------------|------|--------------------|------|----|
| I <sub>(DD)</sub>   | CAON=1, CARSEL=0, CAREF=0   | V <sub>CC</sub> = 2.2 V     | 25   | 40                 | μA   |    |
|   |   | V <sub>CC</sub> = 3 V       | 45   | 60                 |      |    |
| I <sub>(Refladder/Refdiode)</sub>   | CAON=1, CARSEL=0, CAREF=1/2/3, no load at P2.3/CA0/TA1 and P2.4/CA1/TA2                   | V <sub>CC</sub> = 2.2 V     | 30   | 50                 | μA   |    |
|   |   | V <sub>CC</sub> = 3 V       | 45   | 71                 |      |    |
| V <sub>(IC)</sub> Common-mode input voltage                                       | CAON =1   | V <sub>CC</sub> = 2.2 V/3 V | 0    | V <sub>CC</sub> -1 | V    |    |
| V <sub>(Ref025)</sub> $\frac{\text{Voltage @ } 0.25 V_{CC} \text{ node}}{V_{CC}}$ | PCA0=1, CARSEL=1, CAREF=1, no load at P2.3/CA0/TA1 and P2.4/CA1/TA2                       | V <sub>CC</sub> = 2.2 V/3 V | 0.23 | 0.24               | 0.25 |    |
| V <sub>(Ref050)</sub> $\frac{\text{Voltage @ } 0.5 V_{CC} \text{ node}}{V_{CC}}$  | PCA0=1, CARSEL=1, CAREF=2, no load at P2.3/CA0/TA1 and P2.4/CA1/TA2                       | V <sub>CC</sub> = 2.2 V/3 V | 0.47 | 0.48               | 0.5  |    |
| V <sub>(RefVT)</sub> (see Figure 6)   | PCA0=1, CARSEL=1, CAREF=3, no load at P2.3/CA0/TA1 and P2.4/CA1/TA2 T <sub>A</sub> = 85°C | V <sub>CC</sub> = 2.2 V     | 390  | 480                | 540  | mV |
|   |   | V <sub>CC</sub> = 3 V       | 400  | 490                | 550  |    |
| V <sub>(offset)</sub> Offset voltage  | See Note 2  | V <sub>CC</sub> = 2.2 V/3 V | -30  |                    | 30   | mV |
| V <sub>hys</sub> Input hysteresis   | CAON=1  | V <sub>CC</sub> = 2.2 V/3 V | 0    | 0.7                | 1.4  | mV |
| t <sub>(response LH)</sub>  | T <sub>A</sub> = 25°C, Overdrive 10 mV, Without filter: CAF=0                             | V <sub>CC</sub> = 2.2 V     | 130  | 210                | 300  | ns |
|   |   | V <sub>CC</sub> = 3 V       | 80   | 150                | 240  |    |
|   | T <sub>A</sub> = 25°C, Overdrive 10 mV, With filter: CAF=1                                | V <sub>CC</sub> = 2.2 V     | 1.4  | 1.9                | 3.4  | μs |
|   |   | V <sub>CC</sub> = 3 V       | 0.9  | 1.5                | 2.6  |    |
| t <sub>(response HL)</sub>  | T <sub>A</sub> = 25°C, Overdrive 10 mV, Without filter: CAF=0                             | V <sub>CC</sub> = 2.2 V     | 130  | 210                | 300  | ns |
|   |   | V <sub>CC</sub> = 3 V       | 80   | 150                | 240  |    |
|   | T <sub>A</sub> = 25°C, Overdrive 10 mV, With filter: CAF=1                                | V <sub>CC</sub> = 2.2 V     | 1.4  | 1.9                | 3.4  | μs |
|   |   | V <sub>CC</sub> = 3 V       | 0.9  | 1.5                | 2.6  |    |

NOTES: 1. The leakage current for the Comparator\_A terminals is identical to I<sub>lkg(Px.x)</sub> specification.  
2. The input offset voltage can be cancelled by using the CAEX bit to invert the Comparator\_A inputs on successive measurements. The two successive measurements are then summed together.



# MSP430x13x, MSP430x14x, MSP430x14x1 MIXED SIGNAL MICROCONTROLLER

SLAS272F – JULY 2000 – REVISED JUNE 2004

electrical characteristics over recommended operating free-air temperature (unless otherwise noted) (continued)

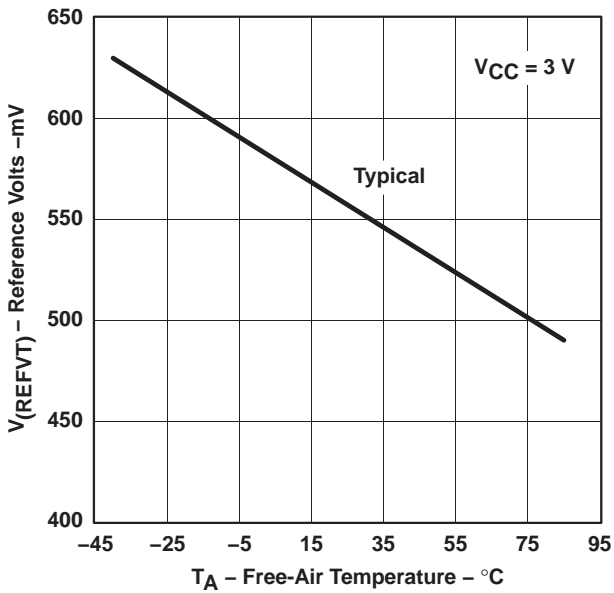


Figure 6. V(REFVT) vs Temperature, V<sub>CC</sub> = 3 V

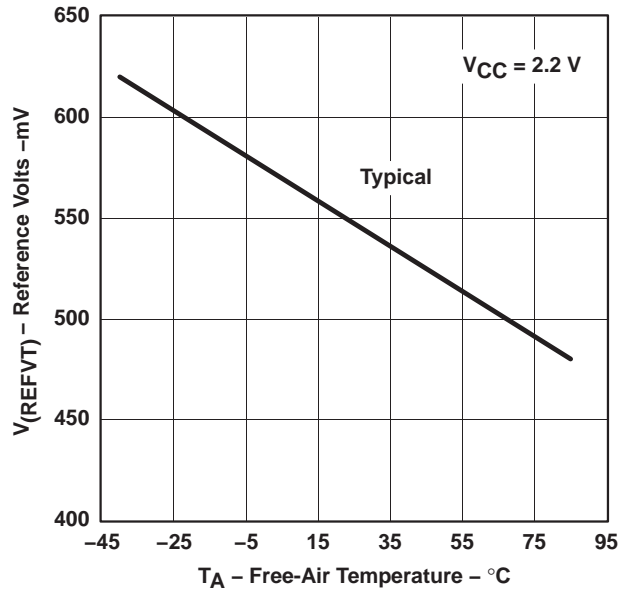


Figure 7. V(REFVT) vs Temperature, V<sub>CC</sub> = 2.2 V

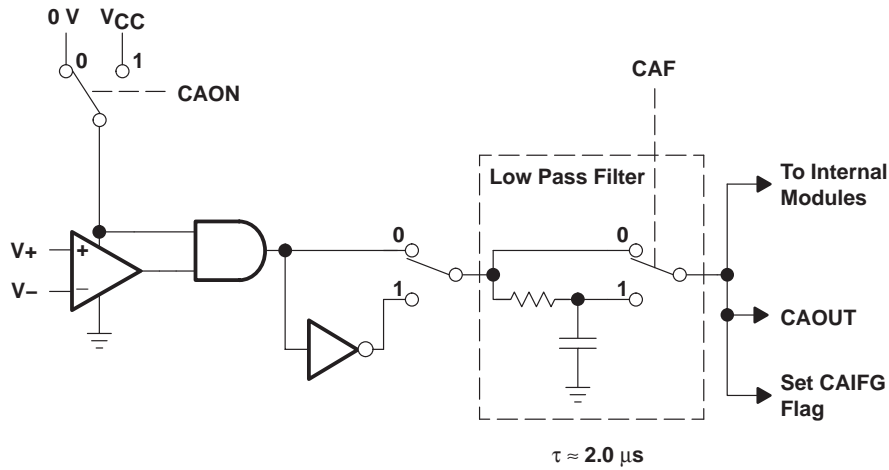


Figure 8. Block Diagram of Comparator\_A Module

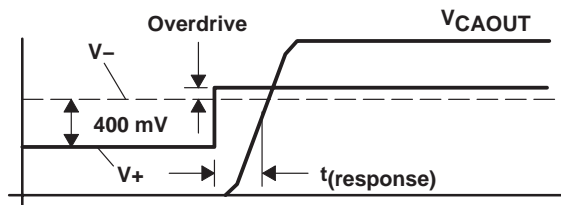


Figure 9. Overdrive Definition

electrical characteristics over recommended operating free-air temperature (unless otherwise noted) (continued)

PUC/POR

| PARAMETER          | TEST CONDITIONS  | MIN                          | TYP | MAX | UNIT    |
|--------------------|--|------------------------------|-----|-----|---------|
| $t_{(POR\_Delay)}$ | Internal time delay to release POR                                     |                              | 150 | 250 | $\mu s$ |
| $V_{POR}$          | $V_{CC}$ threshold at which POR release delay time begins (see Note 1) | $T_A = -40^\circ C$          |     | 1.8 | V       |
|                    |  | $T_A = 25^\circ C$           |     | 1.5 | V       |
|                    |  | $T_A = 85^\circ C$           |     | 1.2 | V       |
| $V_{(min)}$        | $V_{CC}$ threshold required to generate a POR (see Note 2)             | $V_{CC}  dV/dt  \geq 1V/ms$  |     | 0.2 | V       |
| $t_{(reset)}$      | $\overline{RST}/NMI$ low time for PUC/POR                              | Reset is accepted internally |     | 2   | $\mu s$ |

- NOTES: 1.  $V_{CC}$  rise time  $dV/dt \geq 1V/ms$ .  
 2. When driving  $V_{CC}$  low in order to generate a POR condition,  $V_{CC}$  should be driven to 200mV or lower with a  $dV/dt$  equal to or less than  $-1V/ms$ . The corresponding rising  $V_{CC}$  must also meet the  $dV/dt$  requirement equal to or greater than  $+1V/ms$ .

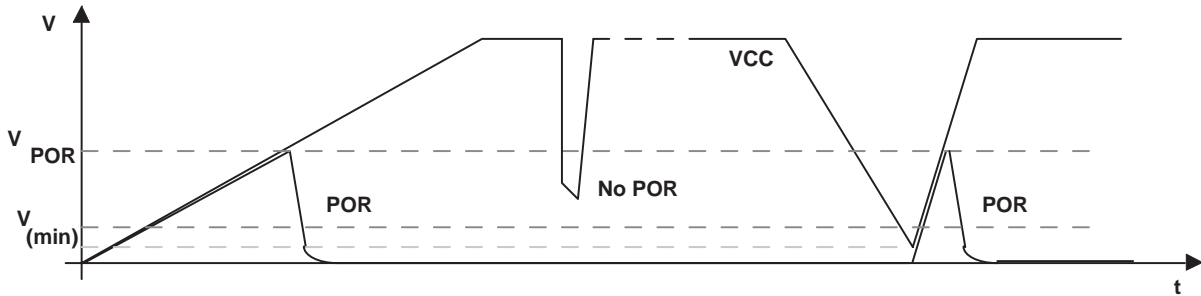


Figure 10. Power-On Reset (POR) vs Supply Voltage

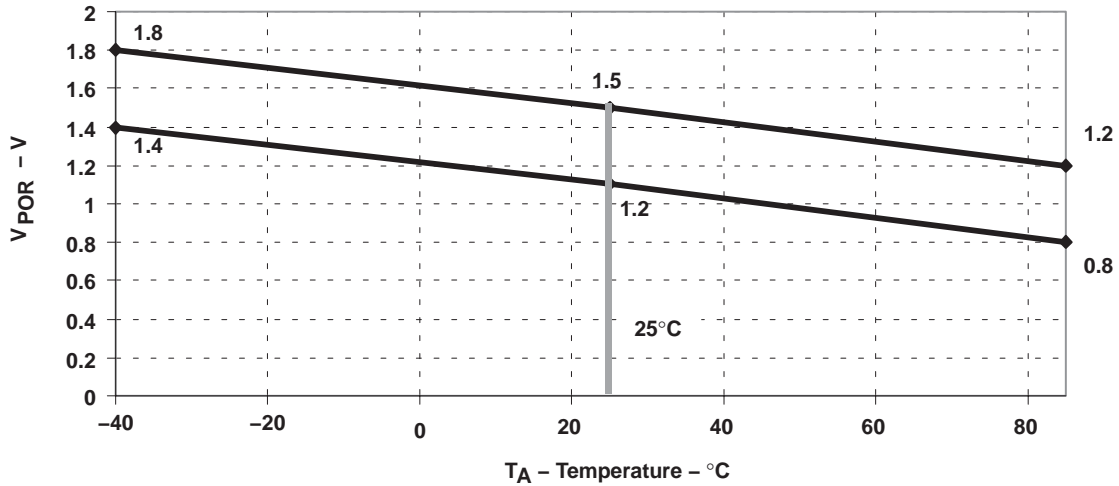


Figure 11.  $V_{POR}$  vs Temperature

# MSP430x13x, MSP430x14x, MSP430x14x1 MIXED SIGNAL MICROCONTROLLER

SLAS272F – JULY 2000 – REVISED JUNE 2004

electrical characteristics over recommended operating free-air temperature (unless otherwise noted) (continued)

## DCO (see Note 1)

| PARAMETER      | TEST CONDITIONS   | MIN                         | NOM                      | MAX                      | UNIT                     |      |
|----------------|---|-----------------------------|--------------------------|--------------------------|--------------------------|------|
| f(DCO03)       | R <sub>sel</sub> = 0, DCO = 3, MOD = 0, DCOR = 0, T <sub>A</sub> = 25°C                   | V <sub>CC</sub> = 2.2 V     | 0.08                     | 0.12                     | 0.15                     | MHz  |
|                |   | V <sub>CC</sub> = 3 V       | 0.08                     | 0.13                     | 0.16                     |      |
| f(DCO13)       | R <sub>sel</sub> = 1, DCO = 3, MOD = 0, DCOR = 0, T <sub>A</sub> = 25°C                   | V <sub>CC</sub> = 2.2 V     | 0.14                     | 0.19                     | 0.23                     | MHz  |
|                |   | V <sub>CC</sub> = 3 V       | 0.14                     | 0.18                     | 0.22                     |      |
| f(DCO23)       | R <sub>sel</sub> = 2, DCO = 3, MOD = 0, DCOR = 0, T <sub>A</sub> = 25°C                   | V <sub>CC</sub> = 2.2 V     | 0.22                     | 0.30                     | 0.36                     | MHz  |
|                |   | V <sub>CC</sub> = 3 V       | 0.22                     | 0.28                     | 0.34                     |      |
| f(DCO33)       | R <sub>sel</sub> = 3, DCO = 3, MOD = 0, DCOR = 0, T <sub>A</sub> = 25°C                   | V <sub>CC</sub> = 2.2 V     | 0.37                     | 0.49                     | 0.59                     | MHz  |
|                |   | V <sub>CC</sub> = 3 V       | 0.37                     | 0.47                     | 0.56                     |      |
| f(DCO43)       | R <sub>sel</sub> = 4, DCO = 3, MOD = 0, DCOR = 0, T <sub>A</sub> = 25°C                   | V <sub>CC</sub> = 2.2 V     | 0.61                     | 0.77                     | 0.93                     | MHz  |
|                |   | V <sub>CC</sub> = 3 V       | 0.61                     | 0.75                     | 0.90                     |      |
| f(DCO53)       | R <sub>sel</sub> = 5, DCO = 3, MOD = 0, DCOR = 0, T <sub>A</sub> = 25°C                   | V <sub>CC</sub> = 2.2 V     | 1                        | 1.2                      | 1.5                      | MHz  |
|                |   | V <sub>CC</sub> = 3 V       | 1                        | 1.3                      | 1.5                      |      |
| f(DCO63)       | R <sub>sel</sub> = 6, DCO = 3, MOD = 0, DCOR = 0, T <sub>A</sub> = 25°C                   | V <sub>CC</sub> = 2.2 V     | 1.6                      | 1.9                      | 2.2                      | MHz  |
|                |   | V <sub>CC</sub> = 3 V       | 1.69                     | 2.0                      | 2.29                     |      |
| f(DCO73)       | R <sub>sel</sub> = 7, DCO = 3, MOD = 0, DCOR = 0, T <sub>A</sub> = 25°C                   | V <sub>CC</sub> = 2.2 V     | 2.4                      | 2.9                      | 3.4                      | MHz  |
|                |   | V <sub>CC</sub> = 3 V       | 2.7                      | 3.2                      | 3.65                     |      |
| f(DCO47)       | R <sub>sel</sub> = 4, DCO = 7, MOD = 0, DCOR = 0, T <sub>A</sub> = 25°C                   | V <sub>CC</sub> = 2.2 V/3 V | f <sub>DCO40</sub> × 1.7 | f <sub>DCO40</sub> × 2.1 | f <sub>DCO40</sub> × 2.5 | MHz  |
| f(DCO77)       | R <sub>sel</sub> = 7, DCO = 7, MOD = 0, DCOR = 0, T <sub>A</sub> = 25°C                   | V <sub>CC</sub> = 2.2 V     | 4                        | 4.5                      | 4.9                      | MHz  |
|                |   | V <sub>CC</sub> = 3 V       | 4.4                      | 4.9                      | 5.4                      |      |
| S(Rsel)        | SR = f <sub>Rsel+1</sub> / f <sub>Rsel</sub>  | V <sub>CC</sub> = 2.2 V/3 V | 1.35                     | 1.65                     | 2                        |      |
| S(DCO)         | SDCO = f <sub>DCO+1</sub> / f <sub>DCO</sub>  | V <sub>CC</sub> = 2.2 V/3 V | 1.07                     | 1.12                     | 1.16                     |      |
| D <sub>t</sub> | Temperature drift, R <sub>sel</sub> = 4, DCO = 3, MOD = 0 (see Note 2)                    | V <sub>CC</sub> = 2.2 V     | -0.31                    | -0.36                    | -0.40                    | %/°C |
|                |   | V <sub>CC</sub> = 3 V       | -0.33                    | -0.38                    | -0.43                    |      |
| D <sub>V</sub> | Drift with V <sub>CC</sub> variation, R <sub>sel</sub> = 4, DCO = 3, MOD = 0 (see Note 2) | V <sub>CC</sub> = 2.2 V/3 V | 0                        | 5                        | 10                       | %/V  |

NOTES: 1. The DCO frequency may not exceed the maximum system frequency defined by parameter processor frequency, f<sub>(System)</sub>.  
2. This parameter is not production tested.

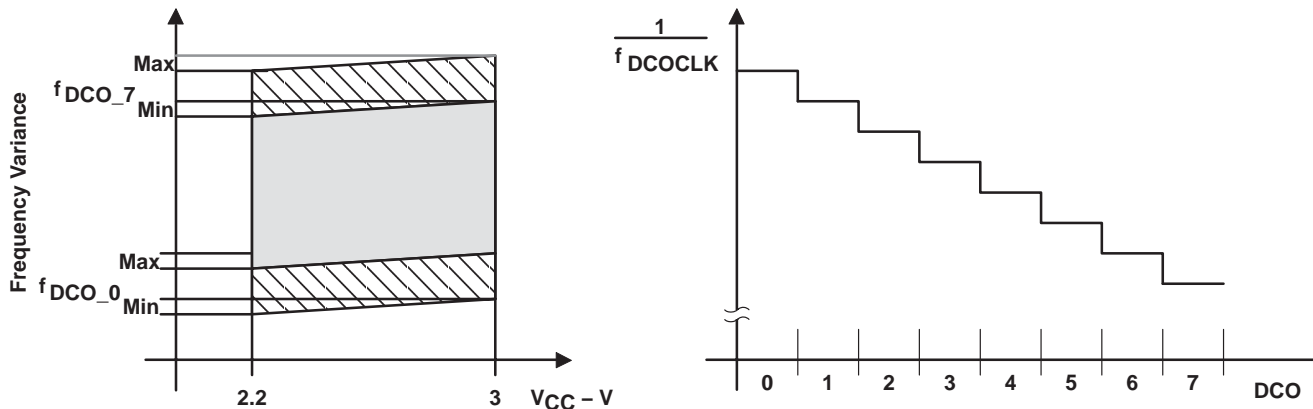


Figure 12. DCO Characteristics

**electrical characteristics over recommended operating free-air temperature (unless otherwise noted) (continued)**

**main DCO characteristics**

- Individual devices have a minimum and maximum operation frequency. The specified parameters for fDCOx0 to fDCOx7 are valid for all devices.
- All ranges selected by Rsel(n) overlap with Rsel(n+1): Rsel0 overlaps with Rsel1, ... Rsel6 overlaps with Rsel7.
- DCO control bits DCO0, DCO1, and DCO2 have a step size as defined by parameter SDCO.
- Modulation control bits MOD0 to MOD4 select how often fDCO+1 is used within the period of 32 DCOCLK cycles. The frequency f(DCO) is used for the remaining cycles. The frequency is an average equal to  $f(\text{DCO}) \times (2^{\text{MOD}/32})$ .

**DCO when using R<sub>OSC</sub> (see Note 1)**

| PARAMETER   | TEST CONDITIONS   | V <sub>CC</sub> | MIN | NOM      | MAX | UNIT |
|---|---|-----------------|-----|----------|-----|------|
| f <sub>DCO</sub> , DCO output frequency               | R <sub>sel</sub> = 4, DCO = 3, MOD = 0, DCOR = 1, T <sub>A</sub> = 25°C | 2.2 V           |     | 1.8±15%  |     | MHz  |
|   |   | 3 V             |     | 1.95±15% |     | MHz  |
| D <sub>t</sub> , Temperature drift                    | R <sub>sel</sub> = 4, DCO = 3, MOD = 0, DCOR = 1                        | 2.2 V/3 V       |     | ±0.1     |     | %/°C |
| D <sub>v</sub> , Drift with V <sub>CC</sub> variation | R <sub>sel</sub> = 4, DCO = 3, MOD = 0, DCOR = 1                        | 2.2 V/3 V       |     | 10       |     | %/V  |

NOTES: 1. R<sub>OSC</sub> = 100kΩ. Metal film resistor, type 0257. 0.6 watt with 1% tolerance and T<sub>K</sub> = ±50ppm/°C.

**crystal oscillator, LFXT1 oscillator (see Note 1)**

| PARAMETER                                       | TEST CONDITIONS   | MIN                   | NOM | MAX                   | UNIT |
|---|---|-----------------------|-----|-----------------------|------|
| C <sub>XIN</sub> Integrated input capacitance   | XTS=0; LF oscillator selected<br>V <sub>CC</sub> = 2.2 V/3 V    |                       | 12  |                       | pF   |
|   | XTS=1; XT1 oscillator selected<br>V <sub>CC</sub> = 2.2 V/3 V   |                       | 2   |                       |      |
| C <sub>XOUT</sub> Integrated output capacitance | XTS=0; LF oscillator selected<br>V <sub>CC</sub> = 2.2 V/3 V    |                       | 12  |                       | pF   |
|   | XTS=1; XT1 oscillator selected<br>V <sub>CC</sub> = 2.2 V/3 V   |                       | 2   |                       |      |
| V <sub>IL</sub>                                 | Input levels at XIN<br>V <sub>CC</sub> = 2.2 V/3 V (see Note 2) | V <sub>SS</sub>       |     | 0.2 × V <sub>CC</sub> | V    |
| V <sub>IH</sub>                                 |   | 0.8 × V <sub>CC</sub> |     | V <sub>CC</sub>       | V    |

- NOTES: 1. The oscillator needs capacitors at both terminals, with values specified by the crystal manufacturer.  
2. Applies only when using an external logic-level clock source. Not applicable when using a crystal or resonator.

**crystal oscillator, XT2 oscillator (see Note 1)**

| PARAMETER                              | TEST CONDITIONS   | MIN                   | NOM | MAX                   | UNIT |
|--|---|-----------------------|-----|-----------------------|------|
| C <sub>XT2IN</sub> Input capacitance   | V <sub>CC</sub> = 2.2 V/3 V                                       |                       | 2   |                       | pF   |
| C <sub>XT2OUT</sub> Output capacitance | V <sub>CC</sub> = 2.2 V/3 V                                       |                       | 2   |                       | pF   |
| V <sub>IL</sub>                        | Input levels at XT2IN<br>V <sub>CC</sub> = 2.2 V/3 V (see Note 2) | V <sub>SS</sub>       |     | 0.2 × V <sub>CC</sub> | V    |
| V <sub>IH</sub>                        |   | 0.8 × V <sub>CC</sub> |     | V <sub>CC</sub>       | V    |

- NOTES: 1. The oscillator needs capacitors at both terminals, with values specified by the crystal manufacturer.  
2. Applies only when using an external logic-level clock source. Not applicable when using a crystal or resonator.

**USART0, USART1 (see Note 1)**

| PARAMETER                                | TEST CONDITIONS         | MIN | NOM | MAX | UNIT |
|--|-------------------------|-----|-----|-----|------|
| t <sub>(τ)</sub> USART0/1: deglitch time | V <sub>CC</sub> = 2.2 V | 200 | 430 | 800 | ns   |
|  | V <sub>CC</sub> = 3 V   | 150 | 280 | 500 |      |

NOTE 1: The signal applied to the USART0/1 receive signal/terminal (URXD0/1) should meet the timing requirements of t<sub>(τ)</sub> to ensure that the URXS flip-flop is set. The URXS flip-flop is set with negative pulses meeting the minimum-timing condition of t<sub>(τ)</sub>. The operating conditions to set the flag must be met independently from this timing constraint. The deglitch circuitry is active only on negative transitions on the URXD0/1 line.

# MSP430x13x, MSP430x14x, MSP430x14x1 MIXED SIGNAL MICROCONTROLLER

SLAS272F – JULY 2000 – REVISED JUNE 2004

## electrical characteristics over recommended operating free-air temperature (unless otherwise noted) (continued)

### 12-bit ADC, power supply and input range conditions (see Note 1)

| PARAMETER  | TEST CONDITIONS   | MIN   | NOM   | MAX        | UNIT     |
|--|---|-------|-------|------------|----------|
| $V_{AVCC}$ Analog supply voltage   | $V_{AVCC}$ and $DV_{CC}$ are connected together<br>$V_{AVSS}$ and $DV_{SS}$ are connected together<br>$V_{(AVSS)} = V_{(DVSS)} = 0\text{ V}$                    | 2.2   |       | 3.6        | V        |
| $V_{(P6.x/Ax)}$ Analog input voltage range (see Note 2)                    | All P6.0/A0 to P6.7/A7 terminals. Analog inputs selected in ADC12MCTLx register and P6Sel.x=1<br>$0 \leq x \leq 7; V_{(AVSS)} \leq V_{P6.x/Ax} \leq V_{(AVCC)}$ | 0     |       | $V_{AVCC}$ | V        |
| $I_{ADC12}$ Operating supply current into $V_{AVCC}$ terminal (see Note 3) | $f_{ADC12CLK} = 5.0\text{ MHz}$<br>ADC12ON = 1, REFON = 0<br>SHT0=0, SHT1=0, ADC12DIV=0   | 2.2 V | 0.65  | 1.3        | mA       |
|  |   | 3 V   | 0.8   | 1.6        |          |
| $I_{REF+}$ Operating supply current into $V_{AVCC}$ terminal (see Note 4)  | $f_{ADC12CLK} = 5.0\text{ MHz}$<br>ADC12ON = 0,<br>REFON = 1, REF2_5V = 1   | 3 V   | 0.5   | 0.8        | mA       |
|  |   |       | 2.2 V | 0.5        |          |
|  | $f_{ADC12CLK} = 5.0\text{ MHz}$<br>ADC12ON = 0,<br>REFON = 1, REF2_5V = 0   | 2.2 V | 0.5   | 0.8        | mA       |
|  |   | 3 V   | 0.5   | 0.8        |          |
| $C_i \dagger$ Input capacitance  | Only one terminal can be selected at one time, P6.x/Ax  | 2.2 V |       | 40         | pF       |
| $R_i \dagger$ Input MUX ON resistance                                      | $0V \leq V_{Ax} \leq V_{AVCC}$  | 3 V   |       | 2000       | $\Omega$ |

$\dagger$  Not production tested, limits verified by design

- NOTES: 1. The leakage current is defined in the leakage current table with P6.x/Ax parameter.  
2. The analog input voltage range must be within the selected reference voltage range  $V_{R+}$  to  $V_{R-}$  for valid conversion results.  
3. The internal reference supply current is not included in current consumption parameter  $I_{ADC12}$ .  
4. The internal reference current is supplied via terminal  $V_{AVCC}$ . Consumption is independent of the ADC12ON control bit, unless a conversion is active. The REFON bit enables to settle the built-in reference before starting an A/D conversion.

### 12-bit ADC, external reference (see Note 1)

| PARAMETER  | TEST CONDITIONS                               | MIN       | NOM | MAX        | UNIT          |
|--|---|-----------|-----|------------|---------------|
| $V_{eREF+}$ Positive external reference voltage input                            | $V_{eREF+} > V_{REF-}/V_{eREF-}$ (see Note 2) | 1.4       |     | $V_{AVCC}$ | V             |
| $V_{REF-}/V_{eREF-}$ Negative external reference voltage input                   | $V_{eREF+} > V_{REF-}/V_{eREF-}$ (see Note 3) | 0         |     | 1.2        | V             |
| $(V_{eREF+} - V_{REF-}/V_{eREF-})$ Differential external reference voltage input | $V_{eREF+} > V_{REF-}/V_{eREF-}$ (see Note 4) | 1.4       |     | $V_{AVCC}$ | V             |
| $I_{VeREF+}$ Static input current  | $0V \leq V_{eREF+} \leq V_{AVCC}$             | 2.2 V/3 V |     | $\pm 1$    | $\mu\text{A}$ |
| $I_{VREF-}/V_{eREF-}$ Static input current                                       | $0V \leq V_{eREF-} \leq V_{AVCC}$             | 2.2 V/3 V |     | $\pm 1$    | $\mu\text{A}$ |

- NOTES: 1. The external reference is used during conversion to charge and discharge the capacitance array. The input capacitance,  $C_i$ , is also the dynamic load for an external reference during conversion. The dynamic impedance of the reference supply should follow the recommendations on analog-source impedance to allow the charge to settle for 12-bit accuracy.  
2. The accuracy limits the minimum positive external reference voltage. Lower reference voltage levels may be applied with reduced accuracy requirements.  
3. The accuracy limits the maximum negative external reference voltage. Higher reference voltage levels may be applied with reduced accuracy requirements.  
4. The accuracy limits minimum differential reference voltage. Lower differential reference voltage levels may be applied with reduced accuracy requirements.



electrical characteristics over recommended operating free-air temperature (unless otherwise noted) (continued)

12-bit ADC, built-in reference

| PARAMETER                | TEST CONDITIONS   | MIN                      | NOM  | MAX  | UNIT   |
|--------------------------|---|--------------------------|------|------|--------|
| V <sub>REF+</sub>        | REF2_5V = 1 for 2.5 V<br>I <sub>VREF+</sub> ≤ I <sub>VREF+max</sub>   | 2.4                      | 2.5  | 2.6  | V      |
|                          | REF2_5V = 0 for 1.5 V<br>I <sub>VREF+</sub> ≤ I <sub>VREF+max</sub>   | 1.44                     | 1.5  | 1.56 |        |
| AV <sub>CC(min)</sub>    | REF2_5V = 0, I <sub>VREF+</sub> ≤ 1mA   | 2.2                      |      |      | V      |
|                          | REF2_5V = 1, I <sub>VREF+</sub> ≤ 0.5mA   | V <sub>REF+</sub> + 0.15 |      |      |        |
|                          | REF2_5V = 1, I <sub>VREF+</sub> ≤ 1mA   | V <sub>REF+</sub> + 0.15 |      |      |        |
| I <sub>VREF+</sub>       |   | 2.2 V                    | 0.01 | -0.5 | mA     |
|                          |   | 3 V                      |      | -1   |        |
| I <sub>L(VREF+)</sub> †  | I <sub>VREF+</sub> = 500 μA +/- 100 μA<br>Analog input voltage ~0.75 V;<br>REF2_5V = 0  | 2.2 V                    |      | +2   | LSB    |
|                          |   | 3 V                      |      | +2   |        |
|                          | I <sub>VREF+</sub> = 500 μA ± 100 μA<br>Analog input voltage ~1.25 V;<br>REF2_5V = 1  | 3 V                      |      | +2   | LSB    |
| I <sub>DL(VREF+)</sub> ‡ | I <sub>VREF+</sub> = 100 μA → 900 μA,<br>C <sub>VREF+</sub> = 5 μF, ax ~0.5 x V <sub>REF+</sub><br>Error of conversion result ≤ 1 LSB | 3 V                      |      | 20   | ns     |
| C <sub>VREF+</sub>       | REFON = 1,<br>0 mA ≤ I <sub>VREF+</sub> ≤ I <sub>VREF+max</sub>   | 2.2 V/3 V                | 5    | 10   | μF     |
| T <sub>REF+</sub> †      | I <sub>VREF+</sub> is a constant in the range of<br>0 mA ≤ I <sub>VREF+</sub> ≤ 1 mA  | 2.2 V/3 V                |      | ±100 | ppm/°C |
| t <sub>REFON</sub> †     | I <sub>VREF+</sub> = 0.5 mA, C <sub>VREF+</sub> = 10 μF,<br>V <sub>REF+</sub> = 1.5 V, V <sub>AVCC</sub> = 2.2 V                      |                          |      | 17   | ms     |

† Not production tested, limits characterized

‡ Not production tested, limits verified by design

NOTES: 1. The internal buffer operational amplifier and the accuracy specifications require an external capacitor. All INL and DNL tests uses two capacitors between pins V<sub>REF+</sub> and AV<sub>SS</sub> and V<sub>REF-</sub>/V<sub>eREF-</sub> and AV<sub>SS</sub>: 10 μF tantalum and 100 nF ceramic.

NOTES: 2. The condition is that the error in a conversion started after t<sub>REFON</sub> is less than ±0.5 LSB. The settling time depends on the external capacitive load.

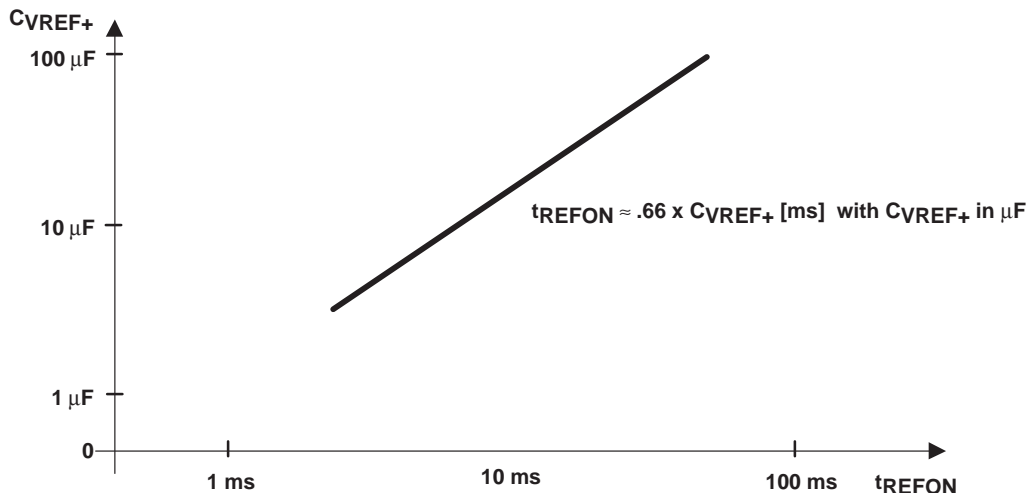


Figure 13. Typical Settling Time of Internal Reference t<sub>REFON</sub> vs External Capacitor on V<sub>REF+</sub>

# MSP430x13x, MSP430x14x, MSP430x14x1 MIXED SIGNAL MICROCONTROLLER

SLAS272F – JULY 2000 – REVISED JUNE 2004

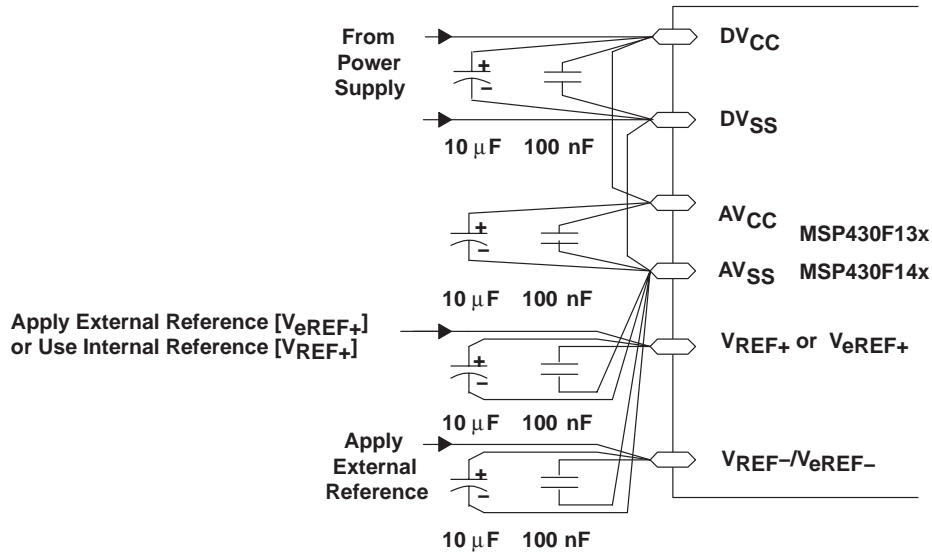


Figure 14. Supply Voltage and Reference Voltage Design  $V_{REF-}/V_{eREF-}$  External Supply

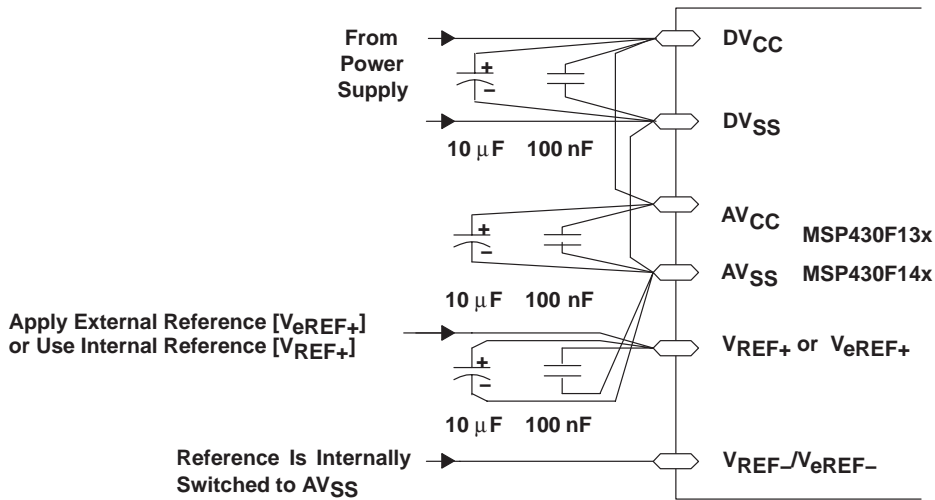


Figure 15. Supply Voltage and Reference Voltage Design  $V_{REF-}/V_{eREF-} = AV_{SS}$ , Internally Connected

electrical characteristics over recommended operating free-air temperature (unless otherwise noted) (continued)

12-bit ADC, timing parameters

| PARAMETER              | TEST CONDITIONS   |   | MIN       | NOM                                     | MAX | UNIT |     |
|------------------------|---|---|-----------|---|-----|------|-----|
| f <sub>ADC12CLK</sub>  | For specified performance of ADC12 linearity parameters |   | 2.2V/3V   | 0.45                                    | 5   | 6.3  | MHz |
| f <sub>ADC12OSC</sub>  | Internal ADC12 oscillator                               | ADC12DIV=0, f <sub>ADC12CLK</sub> =f <sub>ADC12OSC</sub>  | 2.2 V/3V  | 3.7                                     |     | 6.3  | MHz |
| t <sub>CONVERT</sub>   | Conversion time   | C <sub>VREF+</sub> ≥ 5 μF, Internal oscillator, f <sub>ADC12OSC</sub> = 3.7 MHz to 6.3 MHz  | 2.2 V/3 V | 2.06                                    |     | 3.51 | μs  |
|                        |   | External f <sub>ADC12CLK</sub> from ACLK, MCLK or SMCLK: ADC12SSEL ≠ 0  |           | 13×ADC12DIV×<br>1/f <sub>ADC12CLK</sub> |     |      | μs  |
| t <sub>ADC12ON</sub> † | Turn on settling time of the ADC                        | (see Note 1)  |           |   |     | 100  | ns  |
| t <sub>Sample</sub> ‡  | Sampling time   | R <sub>S</sub> = 400 Ω, R <sub>I</sub> = 1000 Ω, C <sub>I</sub> = 30 pF<br>τ = [R <sub>S</sub> + R <sub>I</sub> ] × C <sub>I</sub> ; (see Note 2) | 3 V       | 1220                                    |     |      | ns  |
|                        |   |   | 2.2 V     | 1400                                    |     |      |     |

† Not production tested, limits characterized

‡ Not production tested, limits verified by design

- NOTES: 1. The condition is that the error in a conversion started after t<sub>ADC12ON</sub> is less than ±0.5 LSB. The reference and input signal are already settled.  
2. Approximately ten Tau (τ) are needed to get an error of less than ±0.5 LSB:  
t<sub>Sample</sub> = ln(2<sup>n+1</sup>) × (R<sub>S</sub> + R<sub>I</sub>) × C<sub>I</sub> + 800 ns where n = ADC resolution = 12, R<sub>S</sub> = external source resistance.

12-bit ADC, linearity parameters

| PARAMETER      | TEST CONDITIONS              |  | MIN       | NOM | MAX  | UNIT |     |
|----------------|------------------------------|--|-----------|-----|------|------|-----|
| E <sub>I</sub> | Integral linearity error     | 1.4 V ≤ (V <sub>eREF+</sub> - V <sub>REF-</sub> /V <sub>eREF-</sub> ) min ≤ 1.6 V  | 2.2 V/3 V |     |      | ±2   | LSB |
|                |                              | 1.6 V < (V <sub>eREF+</sub> - V <sub>REF-</sub> /V <sub>eREF-</sub> ) min ≤ [V(AVCC)]  |           |     |      | ±1.7 |     |
| E <sub>D</sub> | Differential linearity error | (V <sub>eREF+</sub> - V <sub>REF-</sub> /V <sub>eREF-</sub> ) min ≤ (V <sub>eREF+</sub> - V <sub>REF-</sub> /V <sub>eREF-</sub> ), C <sub>VREF+</sub> = 10 μF (tantalum) and 100 nF (ceramic)  | 2.2 V/3 V |     |      | ±1   | LSB |
| E <sub>O</sub> | Offset error                 | (V <sub>eREF+</sub> - V <sub>REF-</sub> /V <sub>eREF-</sub> ) min ≤ (V <sub>eREF+</sub> - V <sub>REF-</sub> /V <sub>eREF-</sub> ), Internal impedance of source R <sub>S</sub> < 100 Ω, C <sub>VREF+</sub> = 10 μF (tantalum) and 100 nF (ceramic) | 2.2 V/3 V |     | ±2   | ±4   | LSB |
| E <sub>G</sub> | Gain error                   | (V <sub>eREF+</sub> - V <sub>REF-</sub> /V <sub>eREF-</sub> ) min ≤ (V <sub>eREF+</sub> - V <sub>REF-</sub> /V <sub>eREF-</sub> ), C <sub>VREF+</sub> = 10 μF (tantalum) and 100 nF (ceramic)  | 2.2 V/3 V |     | ±1.1 | ±2   | LSB |
| E <sub>T</sub> | Total unadjusted error       | (V <sub>eREF+</sub> - V <sub>REF-</sub> /V <sub>eREF-</sub> ) min ≤ (V <sub>eREF+</sub> - V <sub>REF-</sub> /V <sub>eREF-</sub> ), C <sub>VREF+</sub> = 10 μF (tantalum) and 100 nF (ceramic)  | 2.2 V/3 V |     | ±2   | ±5   | LSB |

# MSP430x13x, MSP430x14x, MSP430x14x1 MIXED SIGNAL MICROCONTROLLER

SLAS272F – JULY 2000 – REVISED JUNE 2004

electrical characteristics over recommended operating free-air temperature (unless otherwise noted) (continued)

## 12-bit ADC, temperature sensor and built-in $V_{MID}$

| PARAMETER                    |   | TEST CONDITIONS  | MIN   | NOM  | MAX       | UNIT    |
|------------------------------|---|--|-------|------|-----------|---------|
| $I_{SENSOR}$                 | Operating supply current into $AV_{CC}$ terminal (see Note 1) | REFON = 0, INCH = 0Ah, ADC12ON=NA, $T_A = 25^\circ C$            | 2.2 V | 40   | 120       | $\mu A$ |
|                              |   |  | 3 V   | 60   | 160       |         |
| $V_{SENSOR}^\dagger$         |   | ADC12ON = 1, INCH = 0Ah, $T_A = 0^\circ C$                       | 2.2 V | 986  | 986±5%    | mV      |
|                              |   |  | 3 V   | 986  | 986±5%    |         |
| $TC_{SENSOR}^\dagger$        |   | ADC12ON = 1, INCH = 0Ah  | 2.2 V | 3.55 | 3.55±3%   | mV/°C   |
|                              |   |  | 3 V   | 3.55 | 3.55±3%   |         |
| $t_{SENSOR(sample)}^\dagger$ | Sample time required if channel 10 is selected (see Note 2)   | ADC12ON = 1, INCH = 0Ah, Error of conversion result $\leq 1$ LSB | 2.2 V | 30   |           | $\mu s$ |
|                              |   |  | 3 V   | 30   |           |         |
| $I_{VMID}$                   | Current into divider at channel 11 (see Note 3)               | ADC12ON = 1, INCH = 0Bh  | 2.2 V |      | NA        | $\mu A$ |
|                              |   |  | 3 V   |      | NA        |         |
| $V_{MID}$                    | $AV_{CC}$ divider at channel 11                               | ADC12ON = 1, INCH = 0Bh, $V_{MID}$ is $\sim 0.5 \times V_{AVCC}$ | 2.2 V | 1.1  | 1.1±0.04  | V       |
|                              |   |  | 3 V   | 1.5  | 1.50±0.04 |         |
| $t_{VMID(sample)}$           | Sample time required if channel 11 is selected (see Note 4)   | ADC12ON = 1, INCH = 0Bh, Error of conversion result $\leq 1$ LSB | 2.2 V | 1400 |           | ns      |
|                              |   |  | 3 V   | 1220 |           |         |

$^\dagger$  Not production tested, limits characterized

- NOTES:
1. The sensor current  $I_{SENSOR}$  is consumed if (ADC12ON = 1 and REFON=1), or (ADC12ON=1 AND INCH=0Ah and sample signal is high). Therefore it includes the constant current through the sensor and the reference.
  2. The typical equivalent impedance of the sensor is 51 k $\Omega$ . The sample time required includes the sensor-on time  $t_{SENSOR(on)}$ .
  3. No additional current is needed. The  $V_{MID}$  is used during sampling.
  4. The on-time  $t_{VMID(on)}$  is included in the sampling time  $t_{VMID(sample)}$ ; no additional on time is needed.

# MSP430x13x, MSP430x14x, MSP430x14x1 MIXED SIGNAL MICROCONTROLLER

SLAS272F – JULY 2000 – REVISED JUNE 2004

## electrical characteristics over recommended operating free-air temperature (unless otherwise noted) (continued)

### Flash Memory

| PARAMETER                  |   | TEST CONDITIONS       | V <sub>CC</sub> | MIN             | NOM             | MAX | UNIT             |
|----------------------------|---|-----------------------|-----------------|-----------------|-----------------|-----|------------------|
| V <sub>CC(PGM/ERASE)</sub> | Program and Erase supply voltage                    |                       |                 | 2.7             |                 | 3.6 | V                |
| f <sub>FTG</sub>           | Flash Timing Generator frequency                    |                       |                 | 257             |                 | 476 | kHz              |
| I <sub>PGM</sub>           | Supply current from DV <sub>CC</sub> during program |                       | 2.7 V/ 3.6 V    |                 | 3               | 5   | mA               |
| I <sub>ERASE</sub>         | Supply current from DV <sub>CC</sub> during erase   |                       | 2.7 V/ 3.6 V    |                 | 3               | 7   | mA               |
| t <sub>CPT</sub>           | Cumulative program time                             | see Note 1            | 2.7 V/ 3.6 V    |                 |                 | 4   | ms               |
| t <sub>CMErase</sub>       | Cumulative mass erase time                          | see Note 2            | 2.7 V/ 3.6 V    | 200             |                 |     | ms               |
|                            | Program/Erase endurance                             |                       |                 | 10 <sup>4</sup> | 10 <sup>5</sup> |     | cycles           |
| t <sub>Retention</sub>     | Data retention duration                             | T <sub>J</sub> = 25°C |                 | 100             |                 |     | years            |
| t <sub>Word</sub>          | Word or byte program time                           | see Note 3            |                 |                 | 35              |     | t <sub>FTG</sub> |
| t <sub>Block, 0</sub>      | Block program time for 1 <sup>st</sup> byte or word |                       |                 |                 | 30              |     |                  |
| t <sub>Block, 1-63</sub>   | Block program time for each additional byte or word |                       |                 |                 | 21              |     |                  |
| t <sub>Block, End</sub>    | Block program end-sequence wait time                |                       |                 |                 | 6               |     |                  |
| t <sub>Mass Erase</sub>    | Mass erase time                                     |                       |                 |                 | 5297            |     |                  |
| t <sub>Seq Erase</sub>     | Segment erase time                                  |                       |                 |                 | 4819            |     |                  |

- NOTES: 1. The cumulative program time must not be exceeded when writing to a 64-byte flash block. This parameter applies to all programming methods: individual word/byte write and block write modes.
2. The mass erase duration generated by the flash timing generator is at least 11.1ms ( = 5297x1/f<sub>FTG,max</sub> = 5297x1/476kHz). To achieve the required cumulative mass erase time the Flash Controller's mass erase operation can be repeated until this time is met. (A worst case minimum of 19 cycles are required).
3. These values are hardwired into the Flash Controller's state machine (t<sub>FTG</sub> = 1/f<sub>FTG</sub>).

### JTAG Interface

| PARAMETER             |   | TEST CONDITIONS | V <sub>CC</sub> | MIN | NOM | MAX | UNIT |
|-----------------------|---|-----------------|-----------------|-----|-----|-----|------|
| f <sub>TCK</sub>      | TCK input frequency                               | see Note 1      | 2.2 V           | 0   |     | 5   | MHz  |
|                       |   |                 | 3 V             | 0   |     | 10  | MHz  |
| R <sub>Internal</sub> | Internal pull-up resistance on TMS, TCK, TDI/TCLK | see Note 2      | 2.2 V/ 3 V      | 25  | 60  | 90  | kΩ   |

- NOTES: 1. f<sub>TCK</sub> may be restricted to meet the timing requirements of the module selected.
2. TMS, TDI/TCLK, and TCK pull-up resistors are implemented in all versions.

### JTAG Fuse (see Note 1)

| PARAMETER           |   | TEST CONDITIONS       | V <sub>CC</sub> | MIN | NOM | MAX | UNIT |
|---------------------|---|-----------------------|-----------------|-----|-----|-----|------|
| V <sub>CC(FB)</sub> | Supply voltage during fuse-blow condition           | T <sub>A</sub> = 25°C |                 | 2.5 |     |     | V    |
| V <sub>FB</sub>     | Voltage level on TDI/TCLK for fuse-blow: F versions |                       |                 | 6   |     | 7   | V    |
| I <sub>FB</sub>     | Supply current into TDI/TCLK during fuse blow       |                       |                 |     |     | 100 | mA   |
| t <sub>FB</sub>     | Time to blow fuse                                   |                       |                 |     |     | 1   | ms   |

- NOTES: 1. Once the fuse is blown, no further access to the MSP430 JTAG/Test and emulation features is possible. The JTAG block is switched to bypass mode.

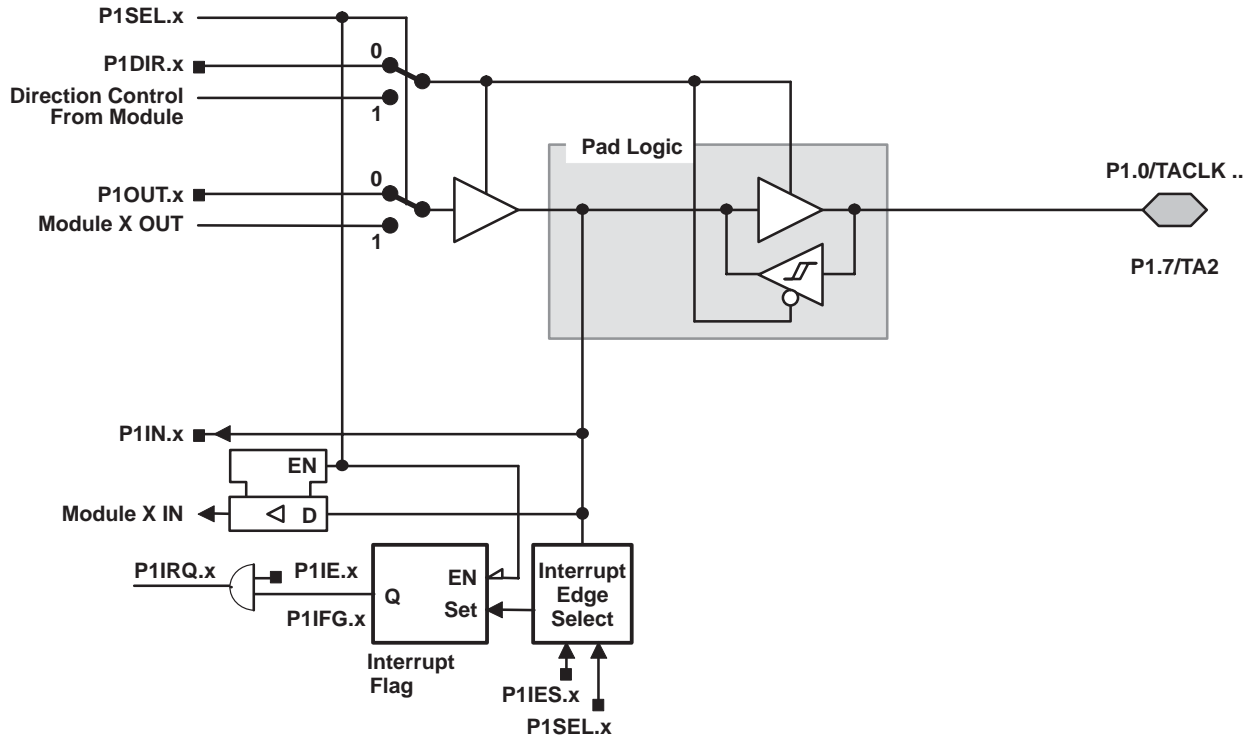
# MSP430x13x, MSP430x14x, MSP430x14x1 MIXED SIGNAL MICROCONTROLLER

SLAS272F – JULY 2000 – REVISED JUNE 2004

## APPLICATION INFORMATION

### input/output schematic

#### port P1, P1.0 to P1.7, input/output with Schmitt-trigger



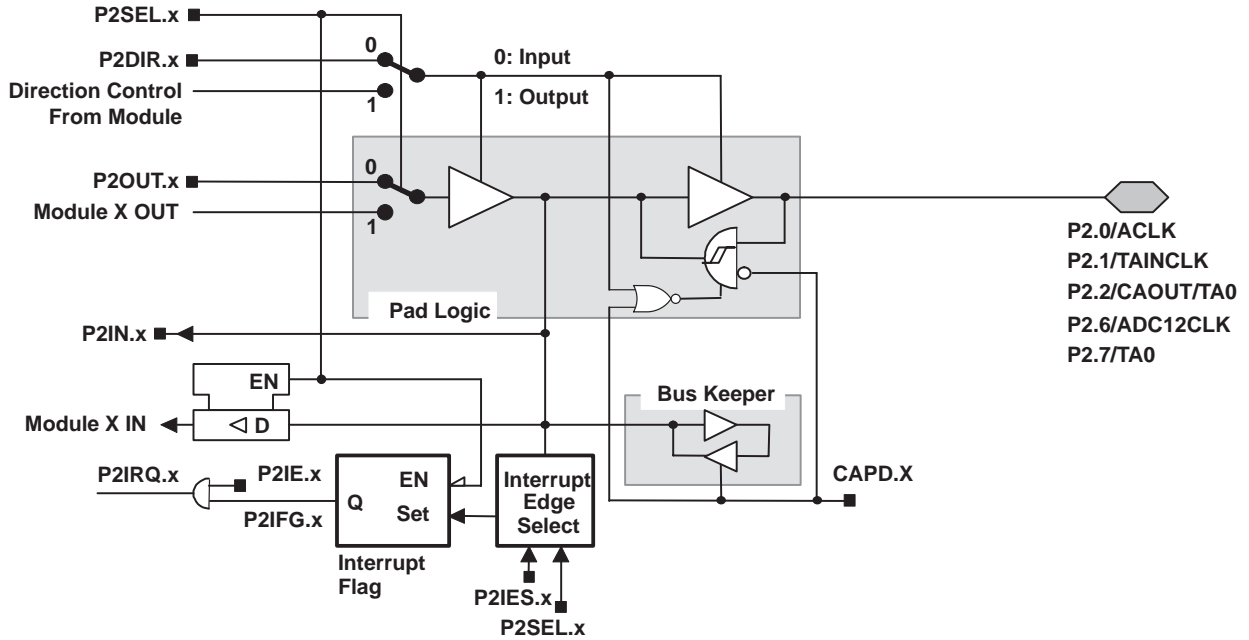
| PnSel.x | PnDIR.x | Dir. CONTROL FROM MODULE | PnOUT.x | MODULE X OUT | PnIN.x | MODULE X IN | PnIE.x | PnIFG.x | PnIES.x |
|---------|---------|--------------------------|---------|--------------|--------|-------------|--------|---------|---------|
| P1Sel.0 | P1DIR.0 | P1DIR.0                  | P1OUT.0 | DVSS         | P1IN.0 | TACLK†      | P1IE.0 | P1IFG.0 | P1IES.0 |
| P1Sel.1 | P1DIR.1 | P1DIR.1                  | P1OUT.1 | Out0 signal† | P1IN.1 | CC10A†      | P1IE.1 | P1IFG.1 | P1IES.1 |
| P1Sel.2 | P1DIR.2 | P1DIR.2                  | P1OUT.2 | Out1 signal† | P1IN.2 | CC11A†      | P1IE.2 | P1IFG.2 | P1IES.2 |
| P1Sel.3 | P1DIR.3 | P1DIR.3                  | P1OUT.3 | Out2 signal† | P1IN.3 | CC12A†      | P1IE.3 | P1IFG.3 | P1IES.3 |
| P1Sel.4 | P1DIR.4 | P1DIR.4                  | P1OUT.4 | SMCLK        | P1IN.4 | unused      | P1IE.4 | P1IFG.4 | P1IES.4 |
| P1Sel.5 | P1DIR.5 | P1DIR.5                  | P1OUT.5 | Out0 signal† | P1IN.5 | unused      | P1IE.5 | P1IFG.5 | P1IES.5 |
| P1Sel.6 | P1DIR.6 | P1DIR.6                  | P1OUT.6 | Out1 signal† | P1IN.6 | unused      | P1IE.6 | P1IFG.6 | P1IES.6 |
| P1Sel.7 | P1DIR.7 | P1DIR.7                  | P1OUT.7 | Out2 signal† | P1IN.7 | unused      | P1IE.7 | P1IFG.7 | P1IES.7 |

† Signal from or to Timer\_A

APPLICATION INFORMATION

input/output schematic (continued)

port P2, P2.0 to P2.2, P2.6, and P2.7 input/output with Schmitt-trigger



x: Bit Identifier 0 to 2, 6, and 7 for Port P2

| PnSel.x | PnDIR.x | Dir. CONTROL FROM MODULE | PnOUT.x | MODULE X OUT             | PnIN.x | MODULE X IN        | PnIE.x | PnIFG.x | PnIES.x |
|---------|---------|--------------------------|---------|--------------------------|--------|--------------------|--------|---------|---------|
| P2Sel.0 | P2DIR.0 | P2DIR.0                  | P2OUT.0 | ACLK                     | P2IN.0 | unused             | P2IE.0 | P2IFG.0 | P2IES.0 |
| P2Sel.1 | P2DIR.1 | P2DIR.1                  | P2OUT.1 | DV <sub>SS</sub>         | P2IN.1 | INCLK <sup>†</sup> | P2IE.1 | P2IFG.1 | P2IES.1 |
| P2Sel.2 | P2DIR.2 | P2DIR.2                  | P2OUT.2 | CAOUT <sup>†</sup>       | P2IN.2 | CCI0B <sup>‡</sup> | P2IE.2 | P2IFG.2 | P2IES.2 |
| P2Sel.6 | P2DIR.6 | P2DIR.6                  | P2OUT.6 | ADC12CLK <sup>¶</sup>    | P2IN.6 | unused             | P2IE.6 | P2IFG.6 | P2IES.6 |
| P2Sel.7 | P2DIR.7 | P2DIR.7                  | P2OUT.7 | Out0 signal <sup>§</sup> | P2IN.7 | unused             | P2IE.7 | P2IFG.7 | P2IES.7 |

<sup>†</sup> Signal from Comparator\_A

<sup>‡</sup> Signal to Timer\_A

<sup>§</sup> Signal from Timer\_A

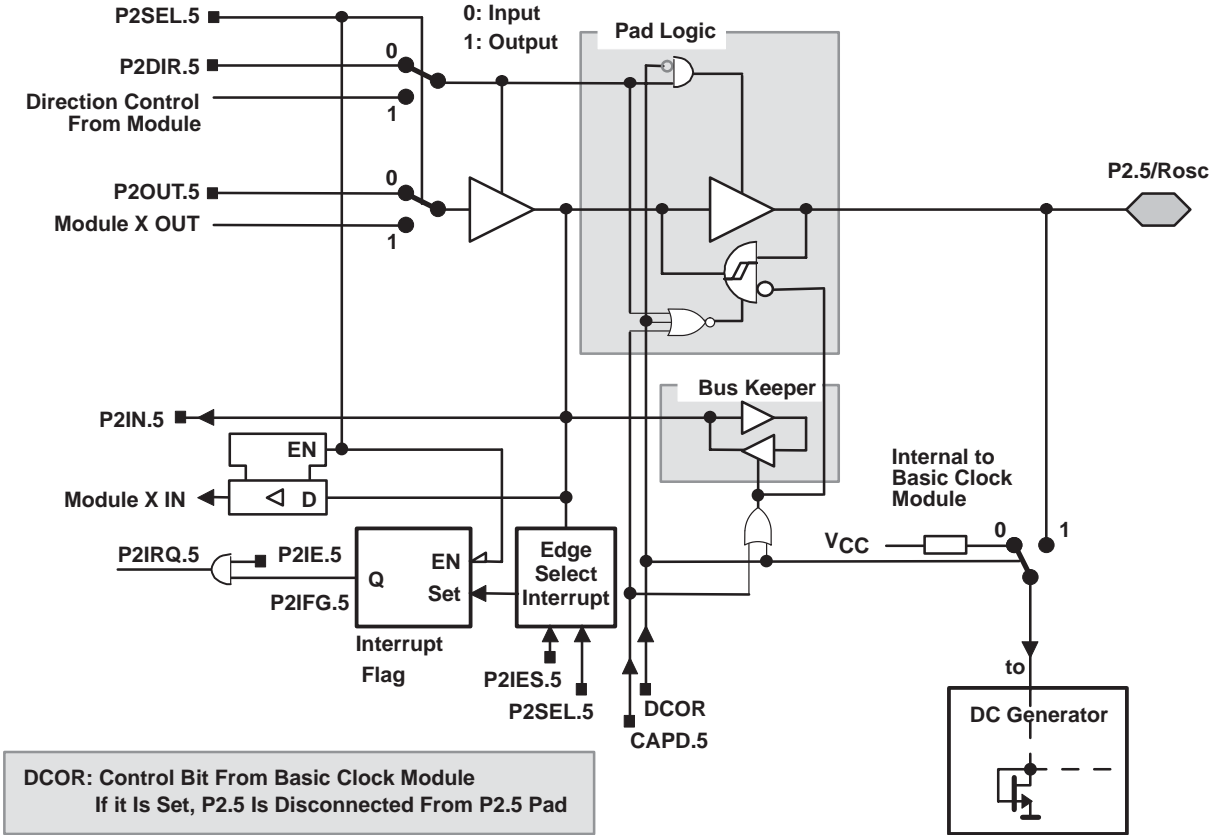
<sup>¶</sup> ADC12CLK signal is output of the 12-bit ADC module



APPLICATION INFORMATION

input/output schematic (continued)

port P2, P2.5, input/output with Schmitt-trigger and R<sub>Osc</sub> function for the basic clock module



| PnSel.x | PnDIR.x | DIRECTION CONTROL FROM MODULE | PnOUT.x | MODULE X OUT     | PnIN.x | MODULE X IN | PnIE.x | PnIFG.x | PnIES.x |
|---------|---------|-------------------------------|---------|------------------|--------|-------------|--------|---------|---------|
| P2Sel.5 | P2DIR.5 | P2DIR.5                       | P2OUT.5 | DV <sub>SS</sub> | P2IN.5 | unused      | P2IE.5 | P2IFG.5 | P2IES.5 |

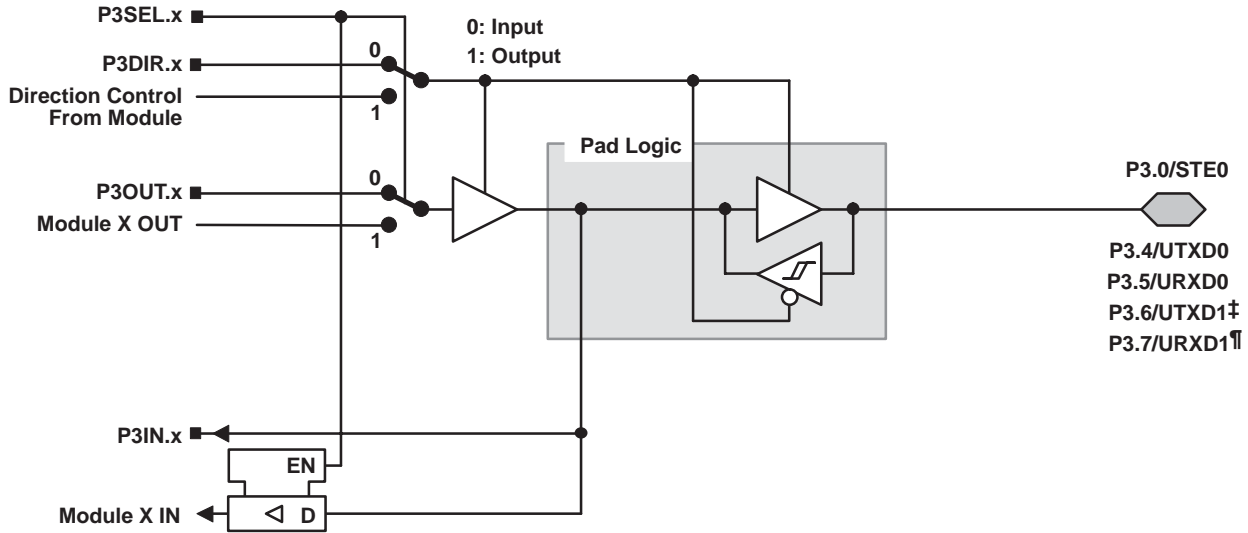
# MSP430x13x, MSP430x14x, MSP430x14x1 MIXED SIGNAL MICROCONTROLLER

SLAS272F – JULY 2000 – REVISED JUNE 2004

## APPLICATION INFORMATION

### input/output schematic (continued)

#### port P3, P3.0 and P3.4 to P3.7, input/output with Schmitt-trigger



x: Bit Identifier, 0 and 4 to 7 for Port P3

| PnSel.x | PnDIR.x | DIRECTION CONTROL FROM MODULE | PnOUT.x | MODULE X OUT     | PniN.x | MODULE X IN |
|---------|---------|-------------------------------|---------|------------------|--------|-------------|
| P3Sel.0 | P3DIR.0 | DV <sub>SS</sub>              | P3OUT.0 | DV <sub>SS</sub> | P3IN.0 | STE0        |
| P3Sel.4 | P3DIR.4 | DV <sub>CC</sub>              | P3OUT.4 | UTXD0†           | P3IN.4 | Unused      |
| P3Sel.5 | P3DIR.5 | DV <sub>SS</sub>              | P3OUT.5 | DV <sub>SS</sub> | P3IN.5 | URXD0§      |
| P3Sel.6 | P3DIR.6 | DV <sub>CC</sub>              | P3OUT.6 | UTXD1†           | P3IN.6 | Unused      |
| P3Sel.7 | P3DIR.7 | DV <sub>SS</sub>              | P3OUT.7 | DV <sub>SS</sub> | P3IN.7 | URXD1¶      |

† Output from USART0 module

‡ Output from USART1 module in x14x(1) configuration, DV<sub>SS</sub> in x13x configuration

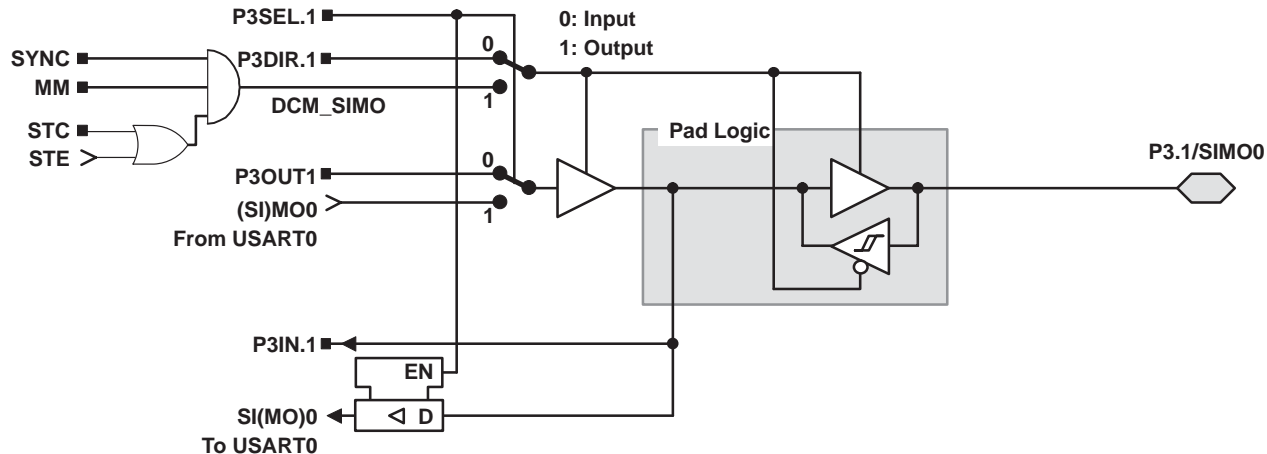
§ Input to USART0 module

¶ Input to USART1 module in x14x(1) configuration, unused in x13x configuration

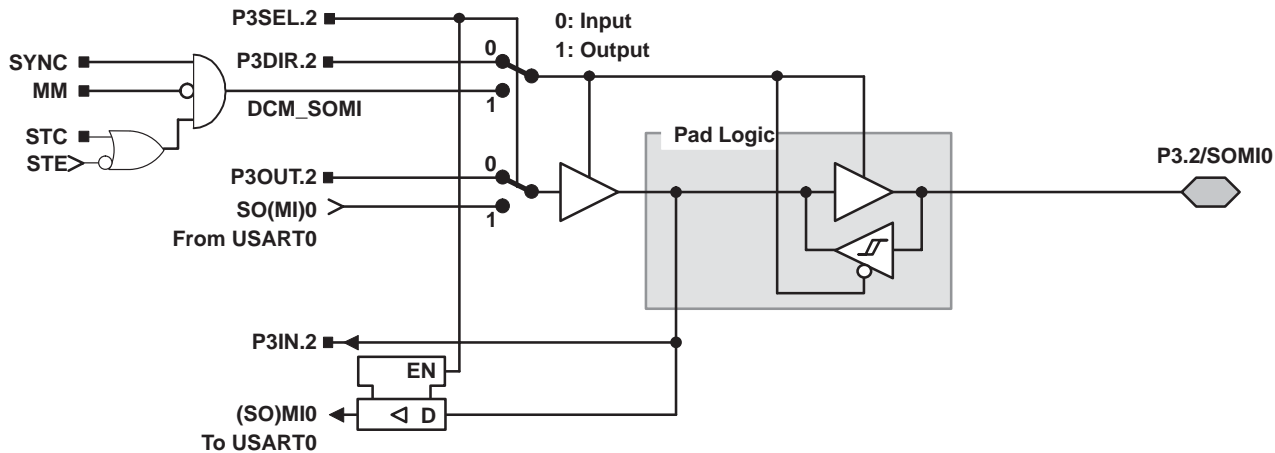
APPLICATION INFORMATION

input/output schematic (continued)

port P3, P3.1, input/output with Schmitt-trigger



port P3, P3.2, input/output with Schmitt-trigger



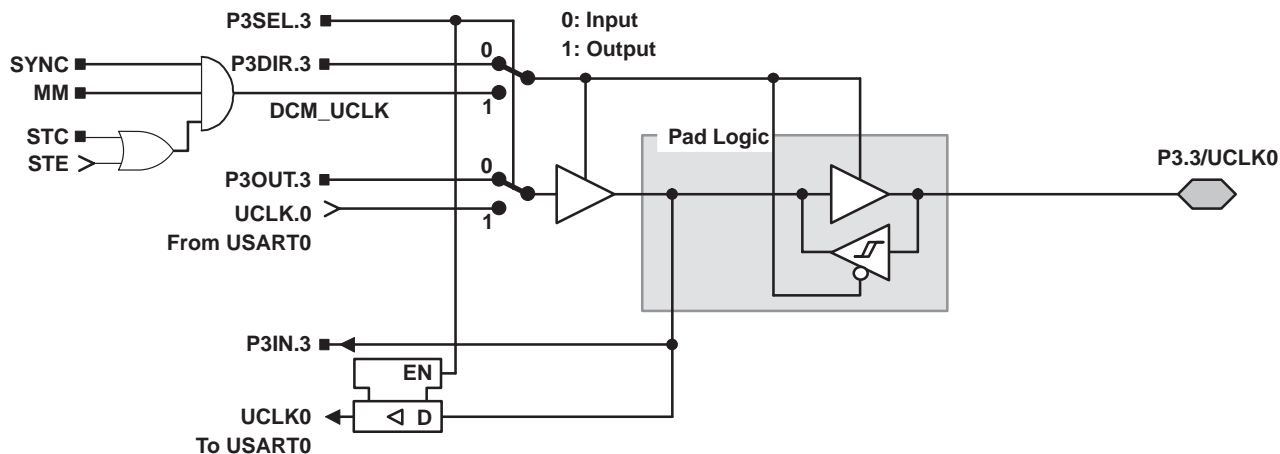
# MSP430x13x, MSP430x14x, MSP430x14x1 MIXED SIGNAL MICROCONTROLLER

SLAS272F – JULY 2000 – REVISED JUNE 2004

## APPLICATION INFORMATION

### input/output schematic (continued)

#### port P3, P3.3, input/output with Schmitt-trigger

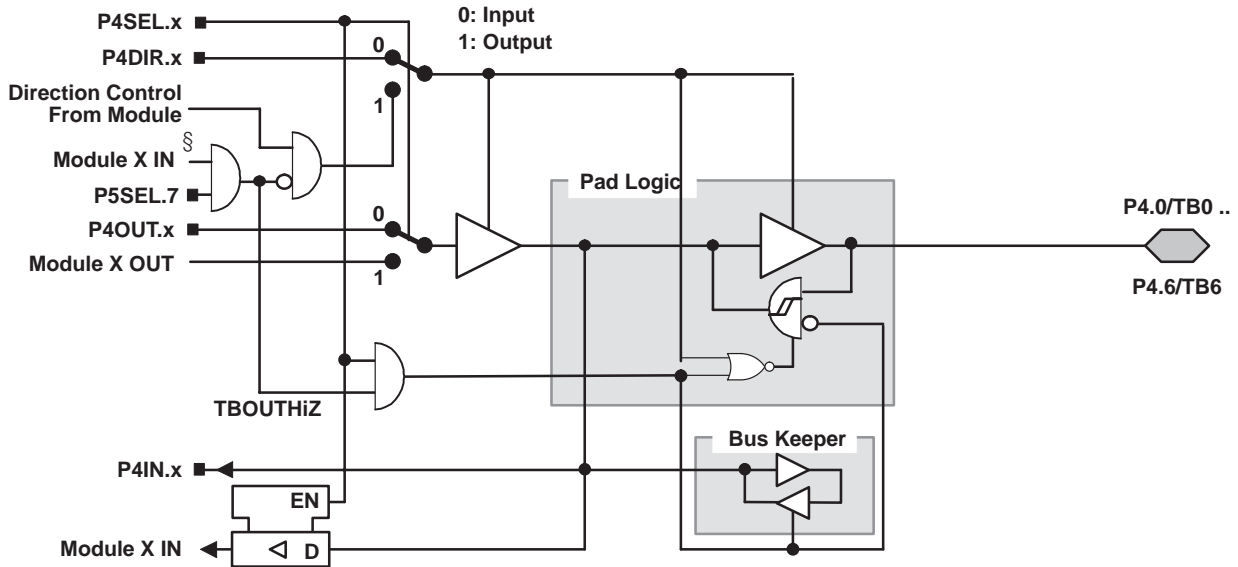


- NOTE: UART mode: The UART clock can only be an input. If UART mode and UART function are selected, the P3.3/UCLK0 is always an input.
- SPI, slave mode: The clock applied to UCLK0 is used to shift data in and out.
- SPI, master mode: The clock to shift data in and out is supplied to connected devices on pin P3.3/UCLK0 (in slave mode).

APPLICATION INFORMATION

input/output schematic (continued)

port P4, P4.0 to P4.6, input/output with Schmitt-trigger



x: bit identifier, 0 to 6 for Port P4

| PnSel.x | PnDIR.x | DIRECTION CONTROL FROM MODULE | PnOUT.x | MODULE X OUT             | PnIN.x | MODULE X IN                |
|---------|---------|-------------------------------|---------|--------------------------|--------|----------------------------|
| P4Sel.0 | P4DIR.0 | P4DIR.0                       | P4OUT.0 | Out0 signal <sup>†</sup> | P4IN.0 | CCI0A / CCI0B <sup>‡</sup> |
| P4Sel.1 | P4DIR.1 | P4DIR.1                       | P4OUT.1 | Out1 signal <sup>†</sup> | P4IN.1 | CCI1A / CCI1B <sup>‡</sup> |
| P4Sel.2 | P4DIR.2 | P4DIR.2                       | P4OUT.2 | Out2 signal <sup>†</sup> | P4IN.2 | CCI2A / CCI2B <sup>‡</sup> |
| P4Sel.3 | P4DIR.3 | P4DIR.3                       | P4OUT.3 | Out3 signal <sup>†</sup> | P4IN.3 | CCI3A / CCI3B <sup>‡</sup> |
| P4Sel.4 | P4DIR.4 | P4DIR.4                       | P4OUT.4 | Out4 signal <sup>†</sup> | P4IN.4 | CCI4A / CCI4B <sup>‡</sup> |
| P4Sel.5 | P4DIR.5 | P4DIR.5                       | P4OUT.5 | Out5 signal <sup>†</sup> | P4IN.5 | CCI5A / CCI5B <sup>‡</sup> |
| P4Sel.6 | P4DIR.6 | P4DIR.6                       | P4OUT.6 | Out6 signal <sup>†</sup> | P4IN.6 | CCI6A <sup>‡</sup>         |

<sup>†</sup> Signal from Timer\_B

<sup>‡</sup> Signal to Timer\_B

<sup>§</sup> From P5.7

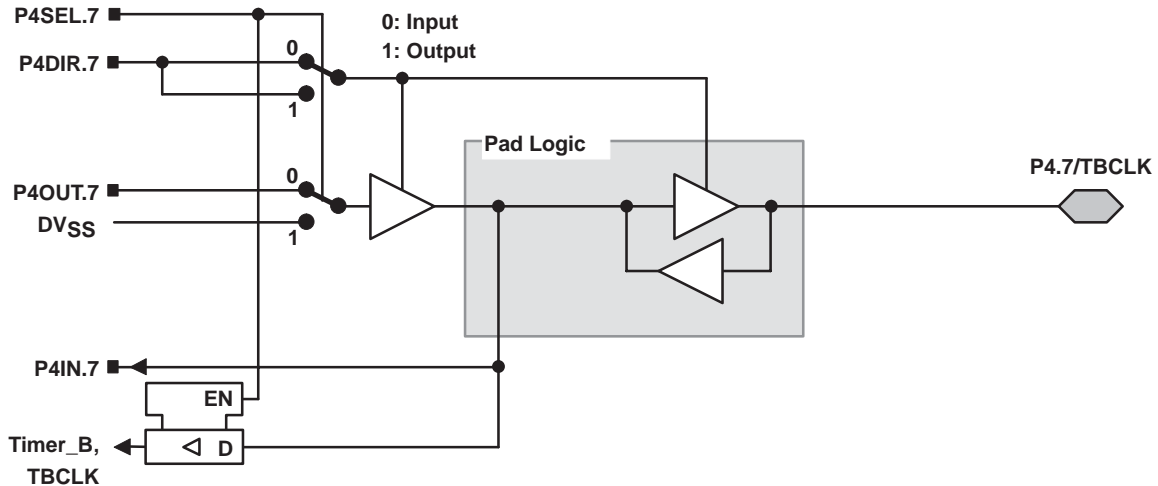
# MSP430x13x, MSP430x14x, MSP430x14x1 MIXED SIGNAL MICROCONTROLLER

SLAS272F – JULY 2000 – REVISED JUNE 2004

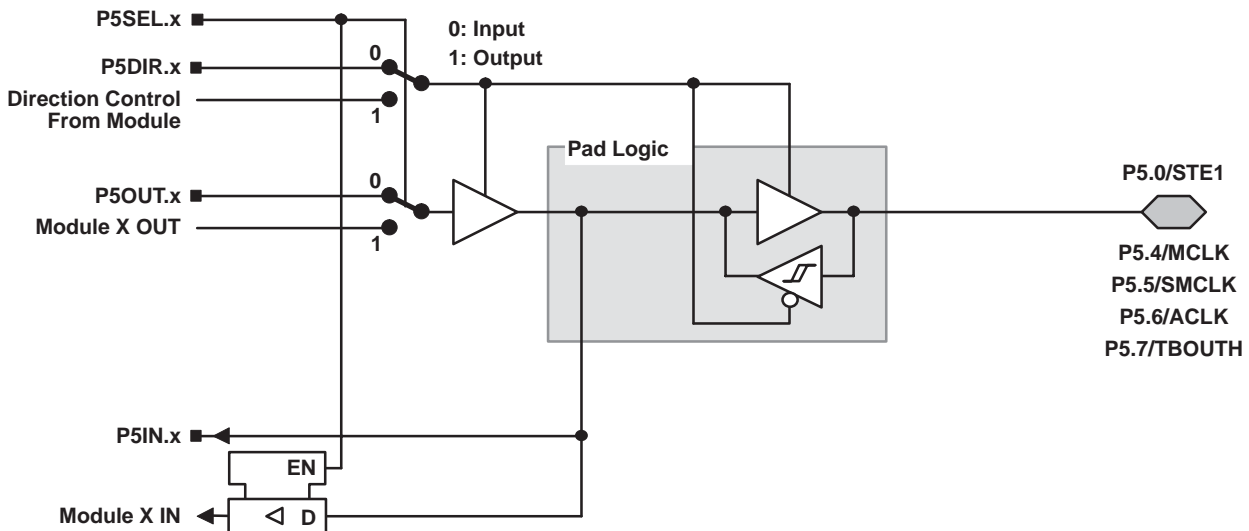
## APPLICATION INFORMATION

### input/output schematic (continued)

#### port P4, P4.7, input/output with Schmitt-trigger



#### port P5, P5.0 and P5.4 to P5.7, input/output with Schmitt-trigger



x: Bit Identifier, 0 and 4 to 7 for Port P5

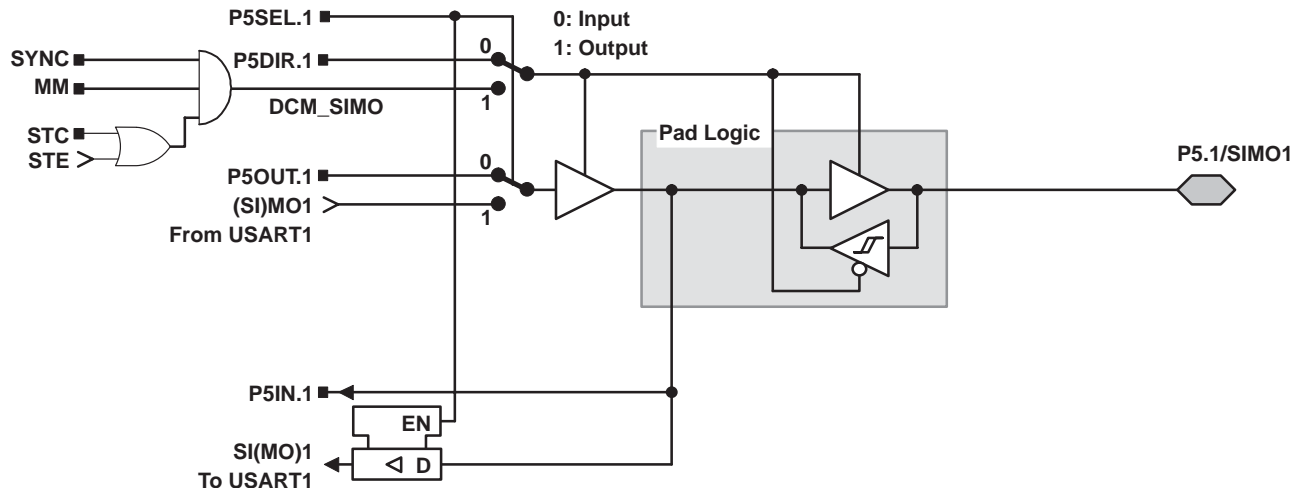
| PnSel.x | PnDIR.x | Dir. CONTROL FROM MODULE | PnOUT.x | MODULE X OUT     | PnIN.x | MODULE X IN |
|---------|---------|--------------------------|---------|------------------|--------|-------------|
| P5Sel.0 | P5DIR.0 | DV <sub>SS</sub>         | P5OUT.0 | DV <sub>SS</sub> | P5IN.0 | STE.1       |
| P5Sel.4 | P5DIR.4 | DV <sub>CC</sub>         | P5OUT.4 | MCLK             | P5IN.4 | unused      |
| P5Sel.5 | P5DIR.5 | DV <sub>CC</sub>         | P5OUT.5 | SMCLK            | P5IN.5 | unused      |
| P5Sel.6 | P5DIR.6 | DV <sub>CC</sub>         | P5OUT.6 | ACLK             | P5IN.6 | unused      |
| P5Sel.7 | P5DIR.7 | DV <sub>SS</sub>         | P5OUT.7 | DV <sub>SS</sub> | P5IN.7 | TBOUTHiZ    |

NOTE: TBOUTHiZ signal is used by port module P4, pins P4.0 to P4.6. The function of TBOUTHiZ is mainly useful when used with Timer\_B7.

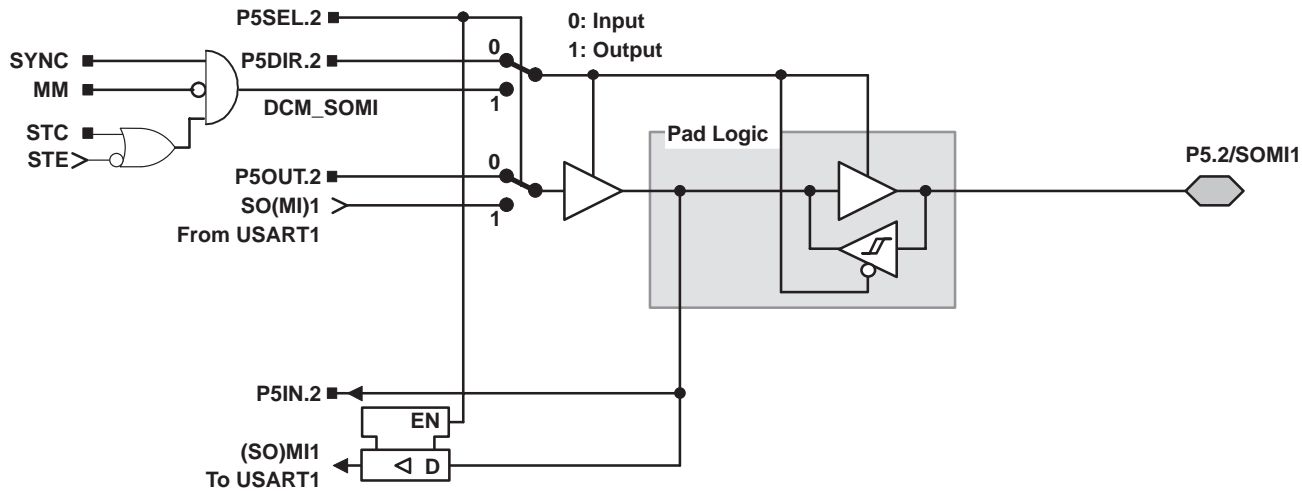
APPLICATION INFORMATION

input/output schematic (continued)

port P5, P5.1, input/output with Schmitt-trigger



port P5, P5.2, input/output with Schmitt-trigger



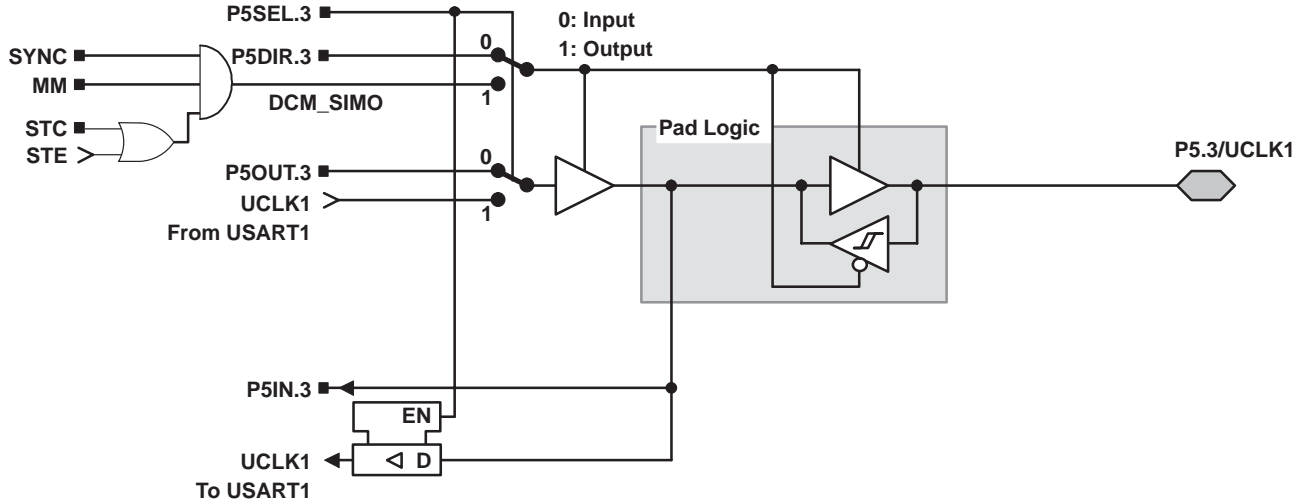
# MSP430x13x, MSP430x14x, MSP430x14x1 MIXED SIGNAL MICROCONTROLLER

SLAS272F – JULY 2000 – REVISED JUNE 2004

## APPLICATION INFORMATION

### input/output schematic (continued)

#### port P5, P5.3, input/output with Schmitt-trigger

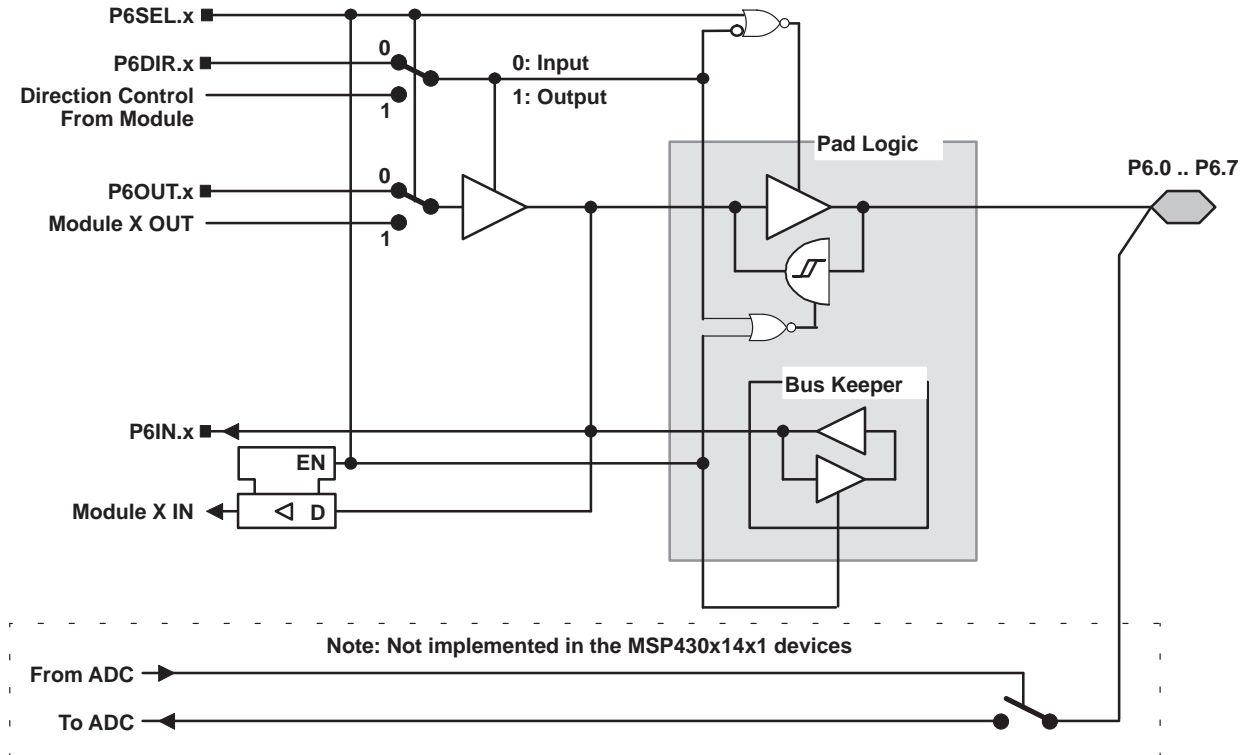


- NOTE: UART mode: The UART clock can only be an input. If UART mode and UART function are selected, the P5.3/UCLK1 direction is always input.
- SPI, slave mode: The clock applied to UCLK1 is used to shift data in and out.
- SPI, master mode: The clock to shift data in and out is supplied to connected devices on pin P5.3/UCLK1 (in slave mode).

APPLICATION INFORMATION

input/output schematic (continued)

port P6, P6.0 to P6.7, input/output with Schmitt-trigger



x: Bit Identifier, 0 to 7 for Port P6

NOTE: Analog signals applied to digital gates can cause current flow from the positive to the negative terminal. The throughput current flows if the analog signal is in the range of transitions 0→1 or 1→0. The value of the throughput current depends on the driving capability of the gate. For MSP430, it is approximately 100 μA.

Use P6SEL.x=1 to prevent throughput current. P6SEL.x should be set, even if the signal at the pin is not being used by the ADC12.

| PnSel.x | PnDIR.x | DIR. CONTROL FROM MODULE | PnOUT.x | MODULE X OUT     | PnIN.x | MODULE X IN |
|---------|---------|--------------------------|---------|------------------|--------|-------------|
| P6Sel.0 | P6DIR.0 | P6DIR.0                  | P6OUT.0 | DV <sub>SS</sub> | P6IN.0 | unused      |
| P6Sel.1 | P6DIR.1 | P6DIR.1                  | P6OUT.1 | DV <sub>SS</sub> | P6IN.1 | unused      |
| P6Sel.2 | P6DIR.2 | P6DIR.2                  | P6OUT.2 | DV <sub>SS</sub> | P6IN.2 | unused      |
| P6Sel.3 | P6DIR.3 | P6DIR.3                  | P6OUT.3 | DV <sub>SS</sub> | P6IN.3 | unused      |
| P6Sel.4 | P6DIR.4 | P6DIR.4                  | P6OUT.4 | DV <sub>SS</sub> | P6IN.4 | unused      |
| P6Sel.5 | P6DIR.5 | P6DIR.5                  | P6OUT.5 | DV <sub>SS</sub> | P6IN.5 | unused      |
| P6Sel.6 | P6DIR.6 | P6DIR.6                  | P6OUT.6 | DV <sub>SS</sub> | P6IN.6 | unused      |
| P6Sel.7 | P6DIR.7 | P6DIR.7                  | P6OUT.7 | DV <sub>SS</sub> | P6IN.7 | unused      |

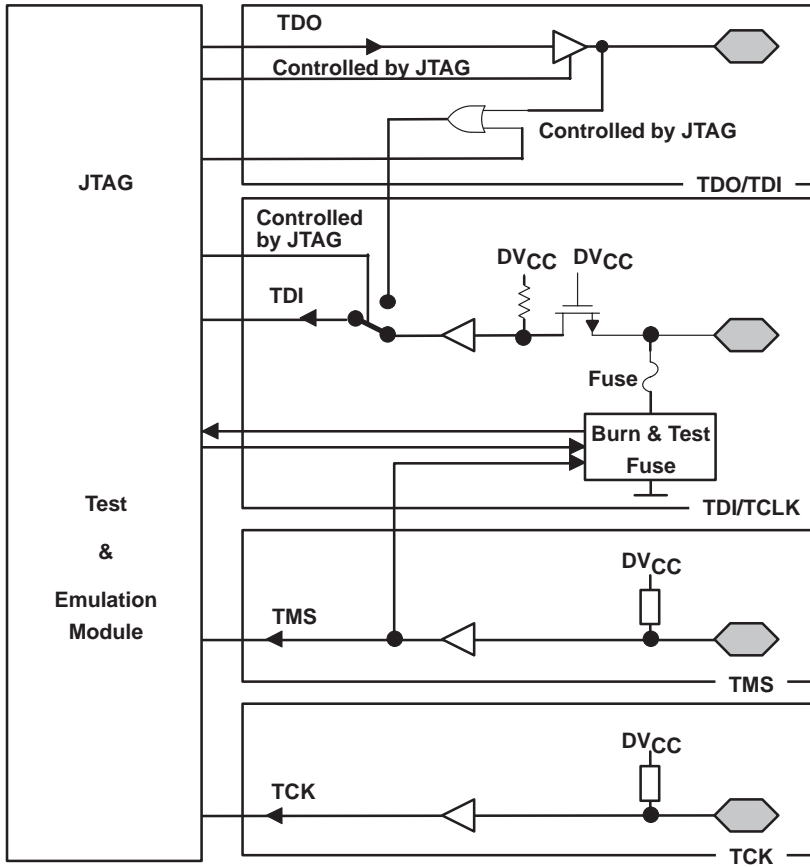
NOTE: The signal at pins P6.x/Ax is used by the 12-bit ADC module.

# MSP430x13x, MSP430x14x, MSP430x14x1 MIXED SIGNAL MICROCONTROLLER

SLAS272F – JULY 2000 – REVISED JUNE 2004

## APPLICATION INFORMATION

JTAG pins TMS, TCK, TDI/TCLK, TDO/TDI, input/output with Schmitt-trigger



During Programming Activity and During Blowing of the Fuse, Pin TDO/TDI Is Used to Apply the Test Input Data for JTAG Circuitry

## APPLICATION INFORMATION

### JTAG fuse check mode

MSP430 devices that have the fuse on the TDI/TCLK terminal have a fuse check mode that tests the continuity of the fuse the first time the JTAG port is accessed after a power-on reset (POR). When activated, a fuse check current,  $I_{TF}$ , of 1 mA at 3 V, 2.5 mA at 5 V can flow from the TDI/TCLK pin to ground if the fuse is not burned. Care must be taken to avoid accidentally activating the fuse check mode and increasing overall system power consumption.

Activation of the fuse check mode occurs with the first negative edge on the TMS pin after power up or if the TMS is being held low during power up. The second positive edge on the TMS pin deactivates the fuse check mode. After deactivation, the fuse check mode remains inactive until another POR occurs. After each POR the fuse check mode has the potential to be activated.

The fuse check current will only flow when the fuse check mode is active and the TMS pin is in a low state (see Figure 16). Therefore, the additional current flow can be prevented by holding the TMS pin high (default condition).

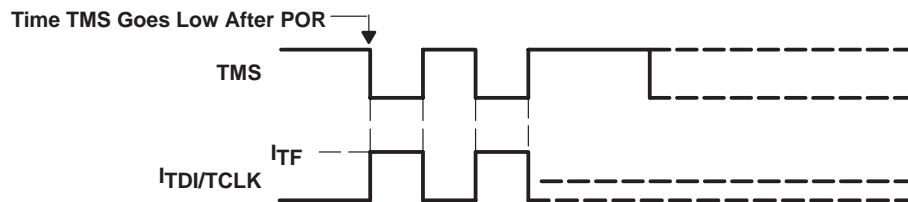


Figure 16. Fuse Check Mode Current: MSP430F13x, MSP430F14x(1)

**PACKAGING INFORMATION**

| Orderable Device | Status<br>(1) | Package Type | Package<br>Drawing | Pins | Package<br>Qty | Eco Plan<br>(2)            | Lead/Ball Finish<br>(6) | MSL Peak Temp<br>(3) | Op Temp (°C) | Device Marking<br>(4/5) | Samples                 |
|------------------|---------------|--------------|--------------------|------|----------------|----------------------------|-------------------------|----------------------|--------------|-------------------------|-------------------------|
| MSP430A001IPM    | ACTIVE        | LQFP         | PM                 | 64   | 160            | Green (RoHS<br>& no Sb/Br) | CU NIPDAU               | Level-3-260C-168 HR  | -40 to 85    | M430F135<br>REV #       | <a href="#">Samples</a> |
| MSP430A002IPM    | ACTIVE        | LQFP         | PM                 | 64   | 160            | Green (RoHS<br>& no Sb/Br) | CU NIPDAU               | Level-3-260C-168 HR  | -40 to 85    | M430F147<br>REV #       | <a href="#">Samples</a> |
| MSP430A002IPMR   | ACTIVE        | LQFP         | PM                 | 64   | 1000           | Green (RoHS<br>& no Sb/Br) | CU NIPDAU               | Level-3-260C-168 HR  | -40 to 85    | M430F147<br>REV #       | <a href="#">Samples</a> |
| MSP430A009IPMR   | ACTIVE        | LQFP         | PM                 | 64   | 1000           | Green (RoHS<br>& no Sb/Br) | CU NIPDAU               | Level-3-260C-168 HR  | -40 to 85    | M430F148<br>REV #       | <a href="#">Samples</a> |
| MSP430A010IPMR   | ACTIVE        | LQFP         | PM                 | 64   | 1000           | Green (RoHS<br>& no Sb/Br) | CU NIPDAU               | Level-3-260C-168 HR  | -40 to 85    | M430F149<br>REV #       | <a href="#">Samples</a> |
| MSP430A015IPMR   | ACTIVE        | LQFP         | PM                 | 64   | 1000           | Green (RoHS<br>& no Sb/Br) | CU NIPDAU               | Level-3-260C-168 HR  | -40 to 85    | M430F1491               | <a href="#">Samples</a> |
| MSP430A024IPM    | ACTIVE        | LQFP         | PM                 | 64   | 160            | Green (RoHS<br>& no Sb/Br) | CU NIPDAU               | Level-3-260C-168 HR  | -40 to 85    | M430F1491               | <a href="#">Samples</a> |
| MSP430A025IPM    | ACTIVE        | LQFP         | PM                 | 64   | 160            | Green (RoHS<br>& no Sb/Br) | CU NIPDAU               | Level-3-260C-168 HR  | -40 to 85    | M430F147<br>REV #       | <a href="#">Samples</a> |
| MSP430A026IPM    | ACTIVE        | LQFP         | PM                 | 64   | 160            | Green (RoHS<br>& no Sb/Br) | CU NIPDAU               | Level-3-260C-168 HR  | -40 to 85    | M430F149<br>REV #       | <a href="#">Samples</a> |
| MSP430A049IPMR   | ACTIVE        | LQFP         | PM                 | 64   | 1000           | Green (RoHS<br>& no Sb/Br) | CU NIPDAU               | Level-3-260C-168 HR  | -40 to 85    | M430F149<br>REV #       | <a href="#">Samples</a> |
| MSP430A050IPMR   | ACTIVE        | LQFP         | PM                 | 64   | 1000           | Green (RoHS<br>& no Sb/Br) | CU NIPDAU               | Level-3-260C-168 HR  | -40 to 85    | M430F147<br>REV #       | <a href="#">Samples</a> |
| MSP430A051IPM    | ACTIVE        | LQFP         | PM                 | 64   | 160            | Green (RoHS<br>& no Sb/Br) | CU NIPDAU               | Level-3-260C-168 HR  | -40 to 85    | M430F135<br>REV #       | <a href="#">Samples</a> |
| MSP430A051IPMR   | ACTIVE        | LQFP         | PM                 | 64   | 1000           | Green (RoHS<br>& no Sb/Br) | CU NIPDAU               | Level-3-260C-168 HR  | -40 to 85    | M430F135<br>REV #       | <a href="#">Samples</a> |
| MSP430A064IPM    | ACTIVE        | LQFP         | PM                 | 64   | 160            | Green (RoHS<br>& no Sb/Br) | CU NIPDAU               | Level-3-260C-168 HR  | -40 to 85    | M430F148<br>REV #       | <a href="#">Samples</a> |
| MSP430F133IPAG   | ACTIVE        | TQFP         | PAG                | 64   | 160            | Green (RoHS<br>& no Sb/Br) | CU NIPDAU               | Level-4-260C-72 HR   | -40 to 85    | M430F133                | <a href="#">Samples</a> |
| MSP430F133IPM    | ACTIVE        | LQFP         | PM                 | 64   | 160            | Green (RoHS<br>& no Sb/Br) | CU NIPDAU               | Level-3-260C-168 HR  | -40 to 85    | M430F133                | <a href="#">Samples</a> |
| MSP430F133IPMR   | ACTIVE        | LQFP         | PM                 | 64   | 1000           | Green (RoHS<br>& no Sb/Br) | CU NIPDAU               | Level-3-260C-168 HR  | -40 to 85    | M430F133                | <a href="#">Samples</a> |

| Orderable Device    | Status<br>(1) | Package Type | Package Drawing | Pins | Package Qty | Eco Plan<br>(2)         | Lead/Ball Finish<br>(6) | MSL Peak Temp<br>(3) | Op Temp (°C) | Device Marking<br>(4/5) | Samples                 |
|---------------------|---------------|--------------|-----------------|------|-------------|-------------------------|-------------------------|----------------------|--------------|-------------------------|-------------------------|
| MSP430F133IRTDR     | ACTIVE        | VQFN         | RTD             | 64   | 2500        | Green (RoHS & no Sb/Br) | CU SN                   | Level-3-260C-168 HR  | -40 to 85    | M430F133                | <a href="#">Samples</a> |
| MSP430F133IRTD      | ACTIVE        | VQFN         | RTD             | 64   | 250         | Green (RoHS & no Sb/Br) | CU SN                   | Level-3-260C-168 HR  | -40 to 85    | M430F133                | <a href="#">Samples</a> |
| MSP430F135IPAG      | ACTIVE        | TQFP         | PAG             | 64   | 160         | Green (RoHS & no Sb/Br) | CU NIPDAU               | Level-4-260C-72 HR   | -40 to 85    | M430F135<br>REV #       | <a href="#">Samples</a> |
| MSP430F135IPM       | ACTIVE        | LQFP         | PM              | 64   | 160         | Green (RoHS & no Sb/Br) | CU NIPDAU               | Level-3-260C-168 HR  | -40 to 85    | M430F135<br>REV #       | <a href="#">Samples</a> |
| MSP430F135IPMR      | ACTIVE        | LQFP         | PM              | 64   | 1000        | Green (RoHS & no Sb/Br) | CU NIPDAU               | Level-3-260C-168 HR  | -40 to 85    | M430F135<br>REV #       | <a href="#">Samples</a> |
| MSP430F135IRTDR     | ACTIVE        | VQFN         | RTD             | 64   | 2500        | Green (RoHS & no Sb/Br) | CU SN                   | Level-3-260C-168 HR  | -40 to 85    | M430F135                | <a href="#">Samples</a> |
| MSP430F135IRTD      | ACTIVE        | VQFN         | RTD             | 64   | 250         | Green (RoHS & no Sb/Br) | CU SN                   | Level-3-260C-168 HR  | -40 to 85    | M430F135                | <a href="#">Samples</a> |
| MSP430F1471IPM      | ACTIVE        | LQFP         | PM              | 64   | 160         | Green (RoHS & no Sb/Br) | CU NIPDAU               | Level-3-260C-168 HR  | -40 to 85    | M430F1471<br>REV #      | <a href="#">Samples</a> |
| MSP430F1471IPMR     | ACTIVE        | LQFP         | PM              | 64   | 1000        | Green (RoHS & no Sb/Br) | CU NIPDAU               | Level-3-260C-168 HR  | -40 to 85    | M430F1471<br>REV #      | <a href="#">Samples</a> |
| MSP430F1471IRTDR    | ACTIVE        | VQFN         | RTD             | 64   | 2500        | Green (RoHS & no Sb/Br) | CU SN                   | Level-3-260C-168 HR  | -40 to 85    | M430F1471               | <a href="#">Samples</a> |
| MSP430F1471IRTD     | ACTIVE        | VQFN         | RTD             | 64   | 250         | Green (RoHS & no Sb/Br) | CU SN                   | Level-3-260C-168 HR  | -40 to 85    | M430F1471               | <a href="#">Samples</a> |
| MSP430F1471IPAG     | ACTIVE        | TQFP         | PAG             | 64   | 160         | Green (RoHS & no Sb/Br) | CU NIPDAU               | Level-4-260C-72 HR   | -40 to 85    | M430F147<br>REV #       | <a href="#">Samples</a> |
| MSP430F1471IPM      | ACTIVE        | LQFP         | PM              | 64   | 160         | Green (RoHS & no Sb/Br) | CU NIPDAU               | Level-3-260C-168 HR  | -40 to 85    | M430F147<br>REV #       | <a href="#">Samples</a> |
| MSP430F1471IPMR     | ACTIVE        | LQFP         | PM              | 64   | 1000        | Green (RoHS & no Sb/Br) | CU NIPDAU               | Level-3-260C-168 HR  | -40 to 85    | M430F147<br>REV #       | <a href="#">Samples</a> |
| MSP430F1471IPMR-KAM | ACTIVE        | LQFP         | PM              | 64   | 1000        | Green (RoHS & no Sb/Br) | CU NIPDAU               | Level-3-260C-168 HR  | -40 to 85    | M430F147<br>REV #       | <a href="#">Samples</a> |
| MSP430F1471IPMRG4   | ACTIVE        | LQFP         | PM              | 64   | 1000        | Green (RoHS & no Sb/Br) | CU NIPDAU               | Level-3-260C-168 HR  | -40 to 85    | M430F147<br>REV #       | <a href="#">Samples</a> |
| MSP430F1471IRTDR    | ACTIVE        | VQFN         | RTD             | 64   | 2500        | Green (RoHS & no Sb/Br) | CU SN                   | Level-3-260C-168 HR  | -40 to 85    | M430F147                | <a href="#">Samples</a> |
| MSP430F1471IRTD     | ACTIVE        | VQFN         | RTD             | 64   | 250         | Green (RoHS & no Sb/Br) | CU SN                   | Level-3-260C-168 HR  | -40 to 85    | M430F147                | <a href="#">Samples</a> |

| Orderable Device  | Status<br>(1) | Package Type | Package Drawing | Pins | Package Qty | Eco Plan<br>(2)         | Lead/Ball Finish<br>(6) | MSL Peak Temp<br>(3) | Op Temp (°C) | Device Marking<br>(4/5) | Samples                 |
|-------------------|---------------|--------------|-----------------|------|-------------|-------------------------|-------------------------|----------------------|--------------|-------------------------|-------------------------|
| MSP430F1481IPM    | ACTIVE        | LQFP         | PM              | 64   | 160         | Green (RoHS & no Sb/Br) | CU NIPDAU               | Level-3-260C-168 HR  | -40 to 85    | M430F1481               | <a href="#">Samples</a> |
| MSP430F1481IPMR   | ACTIVE        | LQFP         | PM              | 64   | 1000        | Green (RoHS & no Sb/Br) | CU NIPDAU               | Level-3-260C-168 HR  | -40 to 85    | M430F1481               | <a href="#">Samples</a> |
| MSP430F1481IRTDR  | ACTIVE        | VQFN         | RTD             | 64   | 2500        | Green (RoHS & no Sb/Br) | CU SN                   | Level-3-260C-168 HR  | -40 to 85    | M430F1481               | <a href="#">Samples</a> |
| MSP430F1481IRTD   | ACTIVE        | VQFN         | RTD             | 64   | 250         | Green (RoHS & no Sb/Br) | CU SN                   | Level-3-260C-168 HR  | -40 to 85    | M430F1481               | <a href="#">Samples</a> |
| MSP430F148IPAG    | ACTIVE        | TQFP         | PAG             | 64   | 160         | Green (RoHS & no Sb/Br) | CU NIPDAU               | Level-4-260C-72 HR   | -40 to 85    | M430F148                | <a href="#">Samples</a> |
| MSP430F148IPM     | ACTIVE        | LQFP         | PM              | 64   | 160         | Green (RoHS & no Sb/Br) | CU NIPDAU               | Level-3-260C-168 HR  | -40 to 85    | M430F148<br>REV #       | <a href="#">Samples</a> |
| MSP430F148IPMG4   | ACTIVE        | LQFP         | PM              | 64   | 160         | Green (RoHS & no Sb/Br) | CU NIPDAU               | Level-3-260C-168 HR  | -40 to 85    | M430F148<br>REV #       | <a href="#">Samples</a> |
| MSP430F148IPMR    | ACTIVE        | LQFP         | PM              | 64   | 1000        | Green (RoHS & no Sb/Br) | CU NIPDAU               | Level-3-260C-168 HR  | -40 to 85    | M430F148<br>REV #       | <a href="#">Samples</a> |
| MSP430F148IRTDR   | ACTIVE        | VQFN         | RTD             | 64   | 2500        | Green (RoHS & no Sb/Br) | CU SN                   | Level-3-260C-168 HR  | -40 to 85    | M430F148                | <a href="#">Samples</a> |
| MSP430F148IRTD    | ACTIVE        | VQFN         | RTD             | 64   | 250         | Green (RoHS & no Sb/Br) | CU SN                   | Level-3-260C-168 HR  | -40 to 85    | M430F148                | <a href="#">Samples</a> |
| MSP430F1491IPM    | ACTIVE        | LQFP         | PM              | 64   | 160         | Green (RoHS & no Sb/Br) | CU NIPDAU               | Level-3-260C-168 HR  | -40 to 85    | M430F1491               | <a href="#">Samples</a> |
| MSP430F1491IPMG4  | ACTIVE        | LQFP         | PM              | 64   | 160         | Green (RoHS & no Sb/Br) | CU NIPDAU               | Level-3-260C-168 HR  | -40 to 85    | M430F1491               | <a href="#">Samples</a> |
| MSP430F1491IPMR   | ACTIVE        | LQFP         | PM              | 64   | 1000        | Green (RoHS & no Sb/Br) | CU NIPDAU               | Level-3-260C-168 HR  | -40 to 85    | M430F1491               | <a href="#">Samples</a> |
| MSP430F1491IPMRG4 | ACTIVE        | LQFP         | PM              | 64   | 1000        | Green (RoHS & no Sb/Br) | CU NIPDAU               | Level-3-260C-168 HR  | -40 to 85    | M430F1491               | <a href="#">Samples</a> |
| MSP430F1491IRTDR  | ACTIVE        | VQFN         | RTD             | 64   | 2500        | Green (RoHS & no Sb/Br) | CU SN                   | Level-3-260C-168 HR  | -40 to 85    | M430F1491               | <a href="#">Samples</a> |
| MSP430F1491IRTD   | ACTIVE        | VQFN         | RTD             | 64   | 250         | Green (RoHS & no Sb/Br) | CU SN                   | Level-3-260C-168 HR  | -40 to 85    | M430F1491               | <a href="#">Samples</a> |
| MSP430F149IPAG    | ACTIVE        | TQFP         | PAG             | 64   | 160         | Green (RoHS & no Sb/Br) | CU NIPDAU               | Level-4-260C-72 HR   | -40 to 85    | M430F149<br>REV #       | <a href="#">Samples</a> |
| MSP430F149IPAGR   | ACTIVE        | TQFP         | PAG             | 64   | 1500        | Green (RoHS & no Sb/Br) | CU NIPDAU               | Level-4-260C-72 HR   | -40 to 85    | M430F149<br>REV #       | <a href="#">Samples</a> |

| Orderable Device   | Status<br>(1) | Package Type | Package Drawing | Pins | Package Qty | Eco Plan<br>(2)         | Lead/Ball Finish<br>(6) | MSL Peak Temp<br>(3) | Op Temp (°C) | Device Marking<br>(4/5) | Samples                 |
|--------------------|---------------|--------------|-----------------|------|-------------|-------------------------|-------------------------|----------------------|--------------|-------------------------|-------------------------|
| MSP430F149IPM      | ACTIVE        | LQFP         | PM              | 64   | 160         | Green (RoHS & no Sb/Br) | CU NIPDAU               | Level-3-260C-168 HR  | -40 to 85    | M430F149<br>REV #       | <a href="#">Samples</a> |
| MSP430F149IPMG4    | ACTIVE        | LQFP         | PM              | 64   | 160         | Green (RoHS & no Sb/Br) | CU NIPDAU               | Level-3-260C-168 HR  | -40 to 85    | M430F149<br>REV #       | <a href="#">Samples</a> |
| MSP430F149IPMR     | ACTIVE        | LQFP         | PM              | 64   | 1000        | Green (RoHS & no Sb/Br) | CU NIPDAU               | Level-3-260C-168 HR  | -40 to 85    | M430F149<br>REV #       | <a href="#">Samples</a> |
| MSP430F149IPMR-KAM | ACTIVE        | LQFP         | PM              | 64   | 1000        | Green (RoHS & no Sb/Br) | CU NIPDAU               | Level-3-260C-168 HR  | -40 to 85    | M430F149<br>REV #       | <a href="#">Samples</a> |
| MSP430F149IPMRG4   | ACTIVE        | LQFP         | PM              | 64   | 1000        | Green (RoHS & no Sb/Br) | CU NIPDAU               | Level-3-260C-168 HR  | -40 to 85    | M430F149<br>REV #       | <a href="#">Samples</a> |
| MSP430F149IRTDR    | ACTIVE        | VQFN         | RTD             | 64   | 2500        | Green (RoHS & no Sb/Br) | CU SN                   | Level-3-260C-168 HR  | -40 to 85    | M430F149                | <a href="#">Samples</a> |
| MSP430F149IRTDRG4  | ACTIVE        | VQFN         | RTD             | 64   | 2500        | Green (RoHS & no Sb/Br) | CU SN                   | Level-3-260C-168 HR  | -40 to 85    | M430F149                | <a href="#">Samples</a> |
| MSP430F149IRTD     | ACTIVE        | VQFN         | RTD             | 64   | 250         | Green (RoHS & no Sb/Br) | CU SN                   | Level-3-260C-168 HR  | -40 to 85    | M430F149                | <a href="#">Samples</a> |

(1) The marketing status values are defined as follows:

**ACTIVE:** Product device recommended for new designs.

**LIFEBUY:** TI has announced that the device will be discontinued, and a lifetime-buy period is in effect.

**NRND:** Not recommended for new designs. Device is in production to support existing customers, but TI does not recommend using this part in a new design.

**PREVIEW:** Device has been announced but is not in production. Samples may or may not be available.

**OBSELETE:** TI has discontinued the production of the device.

(2) Eco Plan - The planned eco-friendly classification: Pb-Free (RoHS), Pb-Free (RoHS Exempt), or Green (RoHS & no Sb/Br) - please check <http://www.ti.com/productcontent> for the latest availability information and additional product content details.

**TBD:** The Pb-Free/Green conversion plan has not been defined.

**Pb-Free (RoHS):** TI's terms "Lead-Free" or "Pb-Free" mean semiconductor products that are compatible with the current RoHS requirements for all 6 substances, including the requirement that lead not exceed 0.1% by weight in homogeneous materials. Where designed to be soldered at high temperatures, TI Pb-Free products are suitable for use in specified lead-free processes.

**Pb-Free (RoHS Exempt):** This component has a RoHS exemption for either 1) lead-based flip-chip solder bumps used between the die and package, or 2) lead-based die adhesive used between the die and leadframe. The component is otherwise considered Pb-Free (RoHS compatible) as defined above.

**Green (RoHS & no Sb/Br):** TI defines "Green" to mean Pb-Free (RoHS compatible), and free of Bromine (Br) and Antimony (Sb) based flame retardants (Br or Sb do not exceed 0.1% by weight in homogeneous material)

(3) MSL, Peak Temp. - The Moisture Sensitivity Level rating according to the JEDEC industry standard classifications, and peak solder temperature.

(4) There may be additional marking, which relates to the logo, the lot trace code information, or the environmental category on the device.

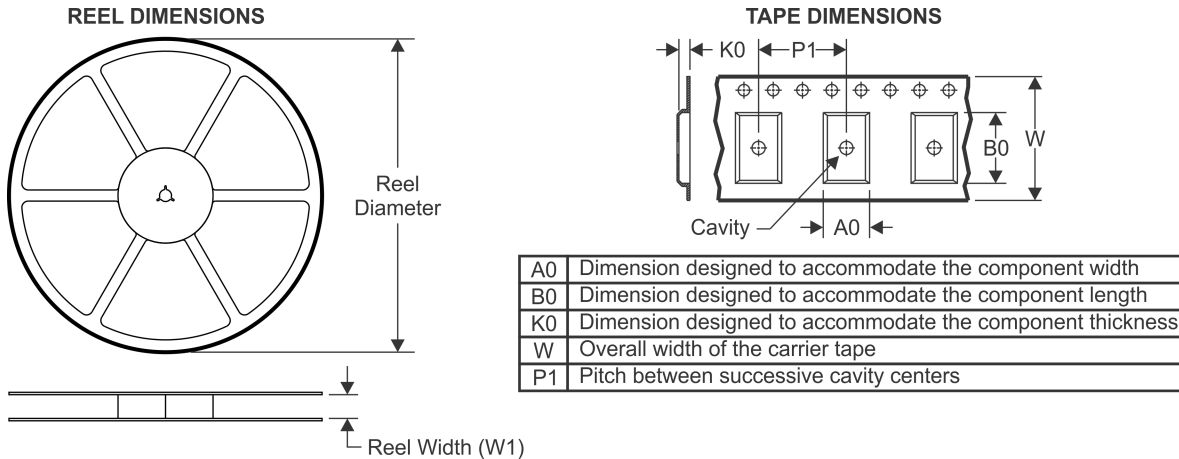
<sup>(5)</sup> Multiple Device Markings will be inside parentheses. Only one Device Marking contained in parentheses and separated by a "-" will appear on a device. If a line is indented then it is a continuation of the previous line and the two combined represent the entire Device Marking for that device.

<sup>(6)</sup> Lead/Ball Finish - Orderable Devices may have multiple material finish options. Finish options are separated by a vertical ruled line. Lead/Ball Finish values may wrap to two lines if the finish value exceeds the maximum column width.

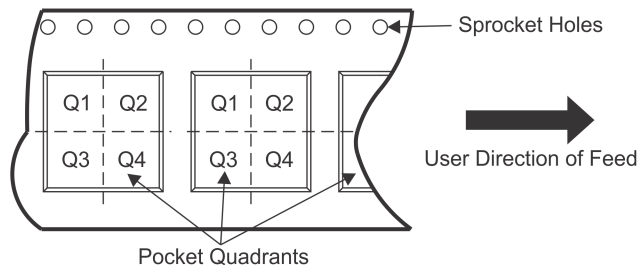
**Important Information and Disclaimer:**The information provided on this page represents TI's knowledge and belief as of the date that it is provided. TI bases its knowledge and belief on information provided by third parties, and makes no representation or warranty as to the accuracy of such information. Efforts are underway to better integrate information from third parties. TI has taken and continues to take reasonable steps to provide representative and accurate information but may not have conducted destructive testing or chemical analysis on incoming materials and chemicals. TI and TI suppliers consider certain information to be proprietary, and thus CAS numbers and other limited information may not be available for release.

In no event shall TI's liability arising out of such information exceed the total purchase price of the TI part(s) at issue in this document sold by TI to Customer on an annual basis.

## TAPE AND REEL INFORMATION



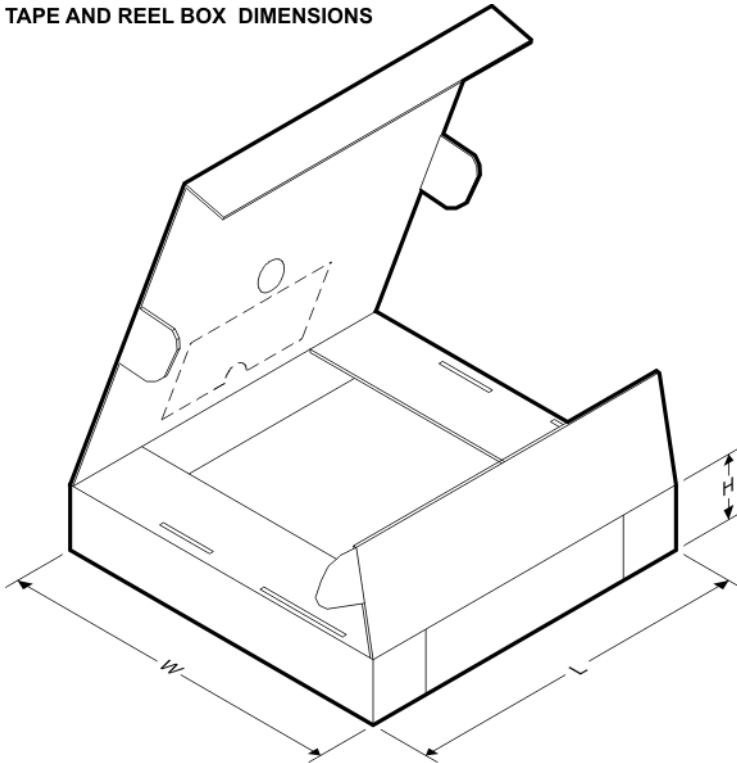
### QUADRANT ASSIGNMENTS FOR PIN 1 ORIENTATION IN TAPE



\*All dimensions are nominal

| Device           | Package Type | Package Drawing | Pins | SPQ  | Reel Diameter (mm) | Reel Width W1 (mm) | A0 (mm) | B0 (mm) | K0 (mm) | P1 (mm) | W (mm) | Pin1 Quadrant |
|------------------|--------------|-----------------|------|------|--------------------|--------------------|---------|---------|---------|---------|--------|---------------|
| MSP430F133IPMR   | LQFP         | PM              | 64   | 1000 | 330.0              | 24.4               | 13.0    | 13.0    | 2.1     | 16.0    | 24.0   | Q2            |
| MSP430F133IRTDR  | VQFN         | RTD             | 64   | 2500 | 330.0              | 16.4               | 9.3     | 9.3     | 1.5     | 12.0    | 16.0   | Q2            |
| MSP430F133IRTD   | VQFN         | RTD             | 64   | 250  | 180.0              | 16.4               | 9.3     | 9.3     | 1.5     | 12.0    | 16.0   | Q2            |
| MSP430F135IPMR   | LQFP         | PM              | 64   | 1000 | 330.0              | 24.4               | 13.0    | 13.0    | 2.1     | 16.0    | 24.0   | Q2            |
| MSP430F135IRTDR  | VQFN         | RTD             | 64   | 2500 | 330.0              | 16.4               | 9.3     | 9.3     | 1.5     | 12.0    | 16.0   | Q2            |
| MSP430F135IRTD   | VQFN         | RTD             | 64   | 250  | 180.0              | 16.4               | 9.3     | 9.3     | 1.5     | 12.0    | 16.0   | Q2            |
| MSP430F1471IPMR  | LQFP         | PM              | 64   | 1000 | 330.0              | 24.4               | 13.0    | 13.0    | 2.1     | 16.0    | 24.0   | Q2            |
| MSP430F1471IRTDR | VQFN         | RTD             | 64   | 2500 | 330.0              | 16.4               | 9.3     | 9.3     | 1.5     | 12.0    | 16.0   | Q2            |
| MSP430F1471IRTD  | VQFN         | RTD             | 64   | 250  | 180.0              | 16.4               | 9.3     | 9.3     | 1.5     | 12.0    | 16.0   | Q2            |
| MSP430F147IPMR   | LQFP         | PM              | 64   | 1000 | 330.0              | 24.4               | 13.0    | 13.0    | 2.1     | 16.0    | 24.0   | Q2            |
| MSP430F147IRTDR  | VQFN         | RTD             | 64   | 2500 | 330.0              | 16.4               | 9.3     | 9.3     | 1.5     | 12.0    | 16.0   | Q2            |
| MSP430F147IRTD   | VQFN         | RTD             | 64   | 250  | 180.0              | 16.4               | 9.3     | 9.3     | 1.5     | 12.0    | 16.0   | Q2            |
| MSP430F1481IPMR  | LQFP         | PM              | 64   | 1000 | 330.0              | 24.4               | 13.0    | 13.0    | 2.1     | 16.0    | 24.0   | Q2            |
| MSP430F1481IRTDR | VQFN         | RTD             | 64   | 2500 | 330.0              | 16.4               | 9.3     | 9.3     | 1.5     | 12.0    | 16.0   | Q2            |
| MSP430F1481IRTD  | VQFN         | RTD             | 64   | 250  | 180.0              | 16.4               | 9.3     | 9.3     | 1.5     | 12.0    | 16.0   | Q2            |
| MSP430F148IPMR   | LQFP         | PM              | 64   | 1000 | 330.0              | 24.4               | 13.0    | 13.0    | 2.1     | 16.0    | 24.0   | Q2            |
| MSP430F148IRTDR  | VQFN         | RTD             | 64   | 2500 | 330.0              | 16.4               | 9.3     | 9.3     | 1.5     | 12.0    | 16.0   | Q2            |
| MSP430F148IRTD   | VQFN         | RTD             | 64   | 250  | 180.0              | 16.4               | 9.3     | 9.3     | 1.5     | 12.0    | 16.0   | Q2            |

| Device           | Package Type | Package Drawing | Pins | SPQ  | Reel Diameter (mm) | Reel Width W1 (mm) | A0 (mm) | B0 (mm) | K0 (mm) | P1 (mm) | W (mm) | Pin1 Quadrant |
|------------------|--------------|-----------------|------|------|--------------------|--------------------|---------|---------|---------|---------|--------|---------------|
| MSP430F1491IPMR  | LQFP         | PM              | 64   | 1000 | 330.0              | 24.4               | 13.0    | 13.0    | 2.1     | 16.0    | 24.0   | Q2            |
| MSP430F1491IRTDR | VQFN         | RTD             | 64   | 2500 | 330.0              | 16.4               | 9.3     | 9.3     | 1.5     | 12.0    | 16.0   | Q2            |
| MSP430F1491IRTD  | VQFN         | RTD             | 64   | 250  | 180.0              | 16.4               | 9.3     | 9.3     | 1.5     | 12.0    | 16.0   | Q2            |
| MSP430F1491PAGR  | TQFP         | PAG             | 64   | 1500 | 330.0              | 24.4               | 13.0    | 13.0    | 1.5     | 16.0    | 24.0   | Q2            |
| MSP430F149IPMR   | LQFP         | PM              | 64   | 1000 | 330.0              | 24.4               | 13.0    | 13.0    | 2.1     | 16.0    | 24.0   | Q2            |
| MSP430F149IRTDR  | VQFN         | RTD             | 64   | 2500 | 330.0              | 16.4               | 9.3     | 9.3     | 1.5     | 12.0    | 16.0   | Q2            |
| MSP430F149IRTD   | VQFN         | RTD             | 64   | 250  | 180.0              | 16.4               | 9.3     | 9.3     | 1.5     | 12.0    | 16.0   | Q2            |

**TAPE AND REEL BOX DIMENSIONS**


\*All dimensions are nominal

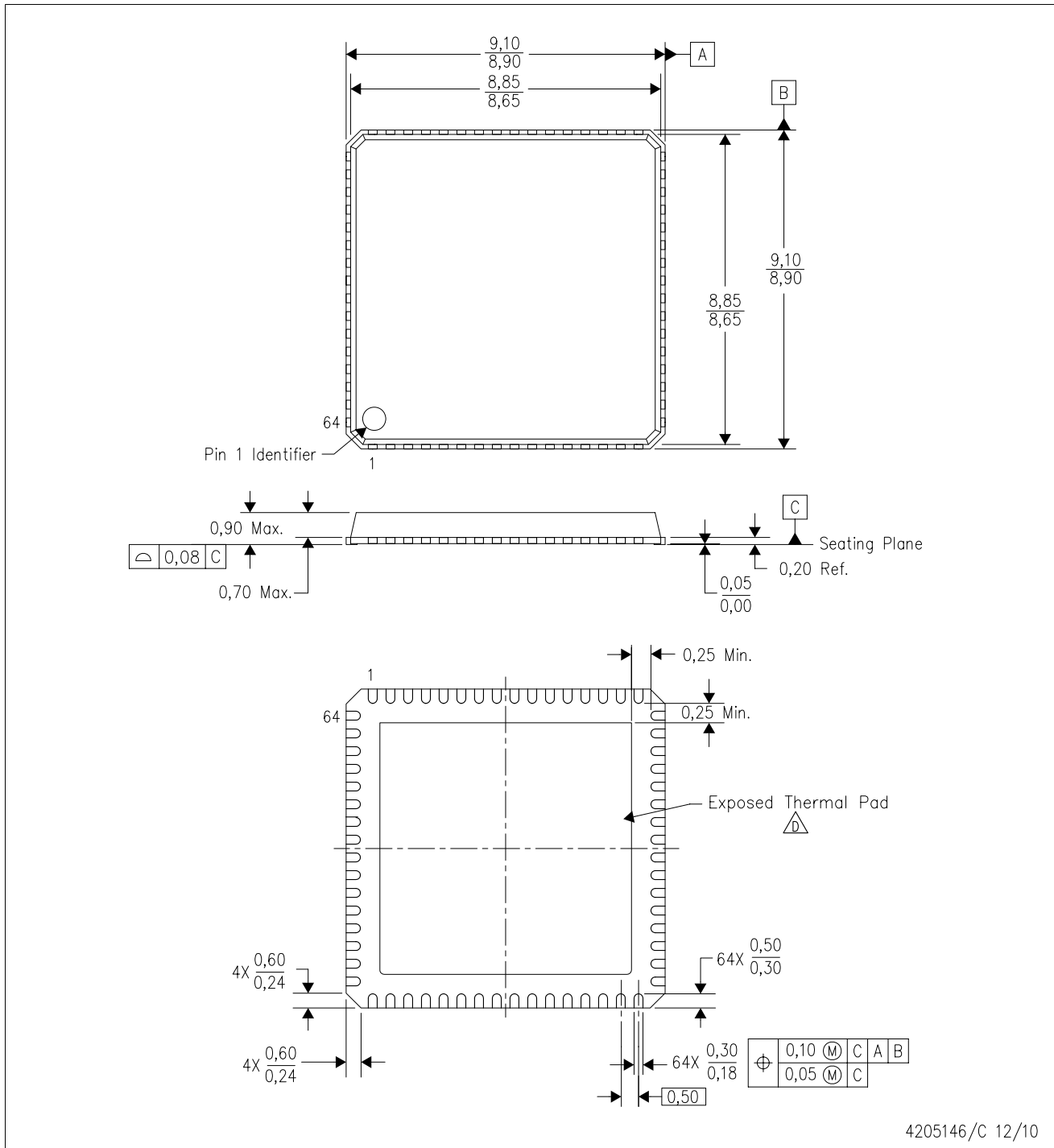
| Device           | Package Type | Package Drawing | Pins | SPQ  | Length (mm) | Width (mm) | Height (mm) |
|------------------|--------------|-----------------|------|------|-------------|------------|-------------|
| MSP430F133IPMR   | LQFP         | PM              | 64   | 1000 | 336.6       | 336.6      | 41.3        |
| MSP430F133IRTDR  | VQFN         | RTD             | 64   | 2500 | 367.0       | 367.0      | 38.0        |
| MSP430F133IRTD   | VQFN         | RTD             | 64   | 250  | 210.0       | 185.0      | 35.0        |
| MSP430F135IPMR   | LQFP         | PM              | 64   | 1000 | 336.6       | 336.6      | 41.3        |
| MSP430F135IRTDR  | VQFN         | RTD             | 64   | 2500 | 367.0       | 367.0      | 38.0        |
| MSP430F135IRTD   | VQFN         | RTD             | 64   | 250  | 210.0       | 185.0      | 35.0        |
| MSP430F1471IPMR  | LQFP         | PM              | 64   | 1000 | 336.6       | 336.6      | 41.3        |
| MSP430F1471IRTDR | VQFN         | RTD             | 64   | 2500 | 367.0       | 367.0      | 38.0        |
| MSP430F1471IRTD  | VQFN         | RTD             | 64   | 250  | 210.0       | 185.0      | 35.0        |
| MSP430F147IPMR   | LQFP         | PM              | 64   | 1000 | 336.6       | 336.6      | 41.3        |

| Device           | Package Type | Package Drawing | Pins | SPQ  | Length (mm) | Width (mm) | Height (mm) |
|------------------|--------------|-----------------|------|------|-------------|------------|-------------|
| MSP430F147IRTDR  | VQFN         | RTD             | 64   | 2500 | 367.0       | 367.0      | 38.0        |
| MSP430F147IRTD   | VQFN         | RTD             | 64   | 250  | 210.0       | 185.0      | 35.0        |
| MSP430F1481IPMR  | LQFP         | PM              | 64   | 1000 | 336.6       | 336.6      | 41.3        |
| MSP430F1481IRTDR | VQFN         | RTD             | 64   | 2500 | 367.0       | 367.0      | 38.0        |
| MSP430F1481IRTD  | VQFN         | RTD             | 64   | 250  | 210.0       | 185.0      | 35.0        |
| MSP430F148IPMR   | LQFP         | PM              | 64   | 1000 | 336.6       | 336.6      | 41.3        |
| MSP430F148IRTDR  | VQFN         | RTD             | 64   | 2500 | 367.0       | 367.0      | 38.0        |
| MSP430F148IRTD   | VQFN         | RTD             | 64   | 250  | 210.0       | 185.0      | 35.0        |
| MSP430F1491IPMR  | LQFP         | PM              | 64   | 1000 | 336.6       | 336.6      | 41.3        |
| MSP430F1491IRTDR | VQFN         | RTD             | 64   | 2500 | 367.0       | 367.0      | 38.0        |
| MSP430F1491IRTD  | VQFN         | RTD             | 64   | 250  | 210.0       | 185.0      | 35.0        |
| MSP430F149IPAGR  | TQFP         | PAG             | 64   | 1500 | 367.0       | 367.0      | 45.0        |
| MSP430F149IPMR   | LQFP         | PM              | 64   | 1000 | 336.6       | 336.6      | 41.3        |
| MSP430F149IRTDR  | VQFN         | RTD             | 64   | 2500 | 367.0       | 367.0      | 38.0        |
| MSP430F149IRTD   | VQFN         | RTD             | 64   | 250  | 210.0       | 185.0      | 35.0        |


# MECHANICAL DATA

RTD (S-PVQFN-N64)

PLASTIC QUAD FLATPACK NO-LEAD



4205146/C 12/10

- NOTES:
- A. All linear dimensions are in millimeters. Dimensioning and tolerancing per ASME Y14.5M-1994.
  - B. This drawing is subject to change without notice.
  - C. QFN (Quad Flatpack No-Lead) Package configuration.
  -  The package thermal pad must be soldered to the board for thermal and mechanical performance. See the Product Data Sheet for details regarding the exposed thermal pad dimensions.

## THERMAL PAD MECHANICAL DATA

RTD (S-PVQFN-N64)

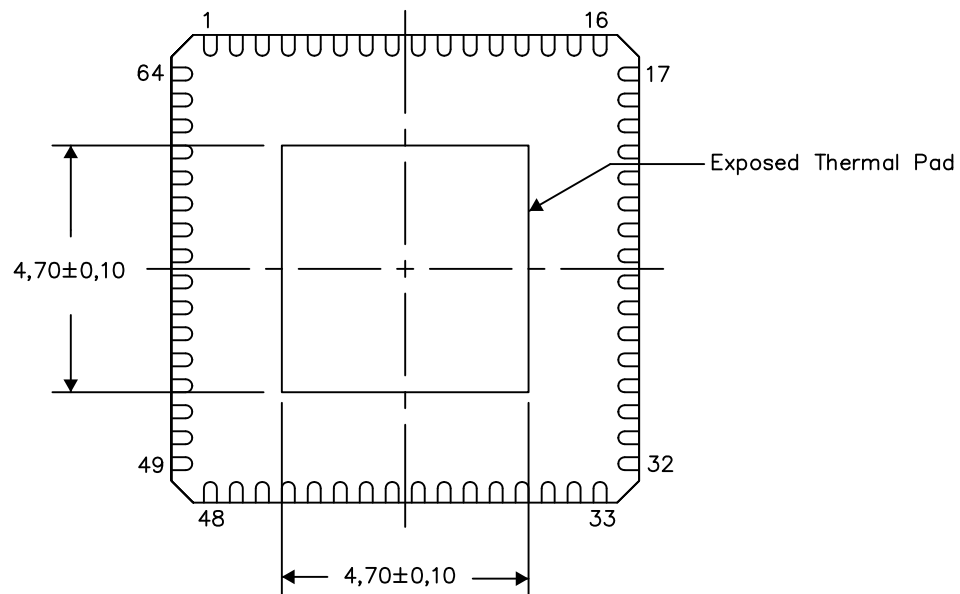
PLASTIC QUAD FLATPACK NO-LEAD

### THERMAL INFORMATION

This package incorporates an exposed thermal pad that is designed to be attached directly to an external heatsink. The thermal pad must be soldered directly to the printed circuit board (PCB). After soldering, the PCB can be used as a heatsink. In addition, through the use of thermal vias, the thermal pad can be attached directly to the appropriate copper plane shown in the electrical schematic for the device, or alternatively, can be attached to a special heatsink structure designed into the PCB. This design optimizes the heat transfer from the integrated circuit (IC).

For information on the Quad Flatpack No-Lead (QFN) package and its advantages, refer to Application Report, QFN/SON PCB Attachment, Texas Instruments Literature No. SLUA271. This document is available at [www.ti.com](http://www.ti.com).

The exposed thermal pad dimensions for this package are shown in the following illustration.

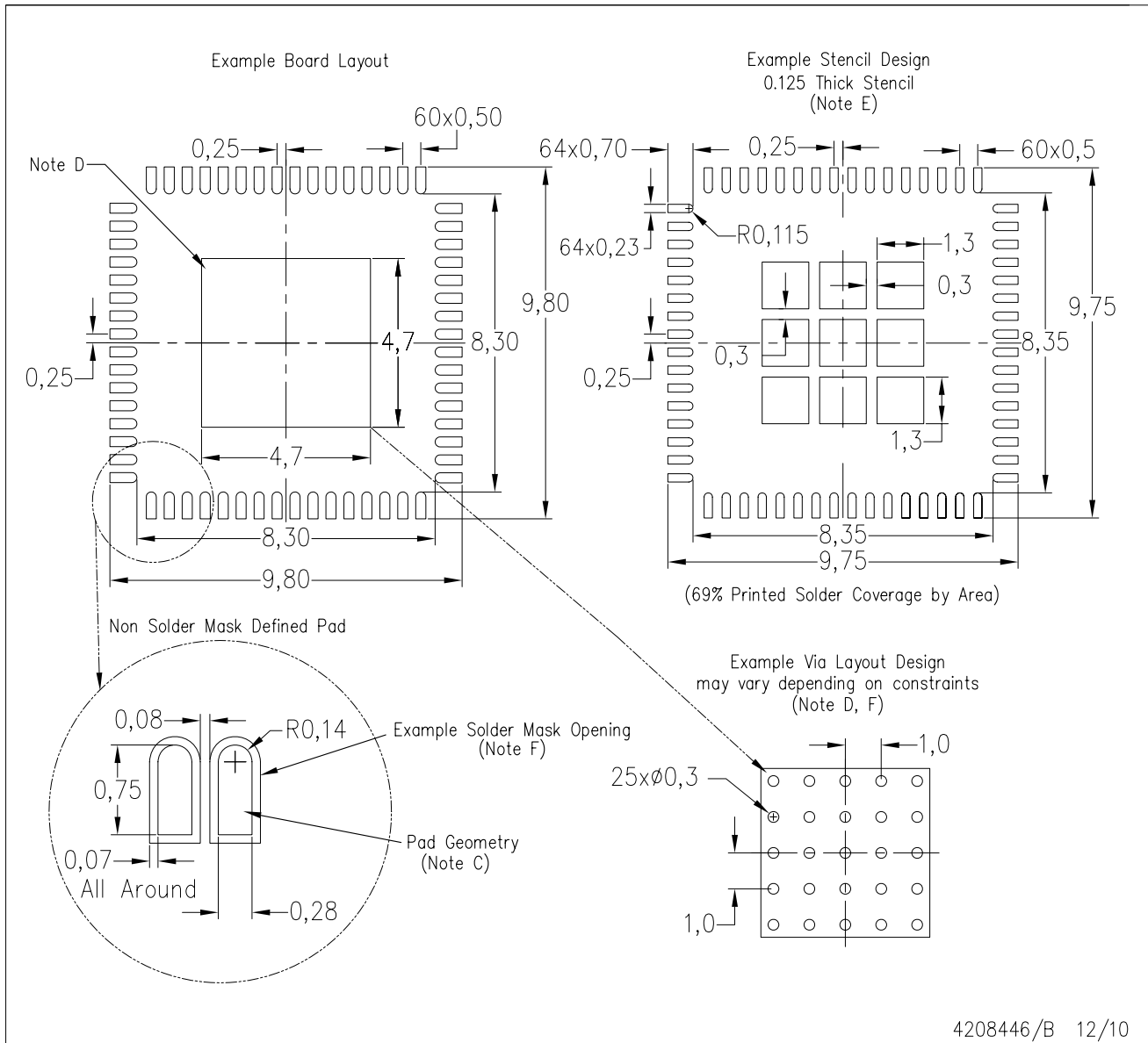


4206338-3/F 09/14

NOTE: A. All linear dimensions are in millimeters

RTD (S-PVQFN-N64)

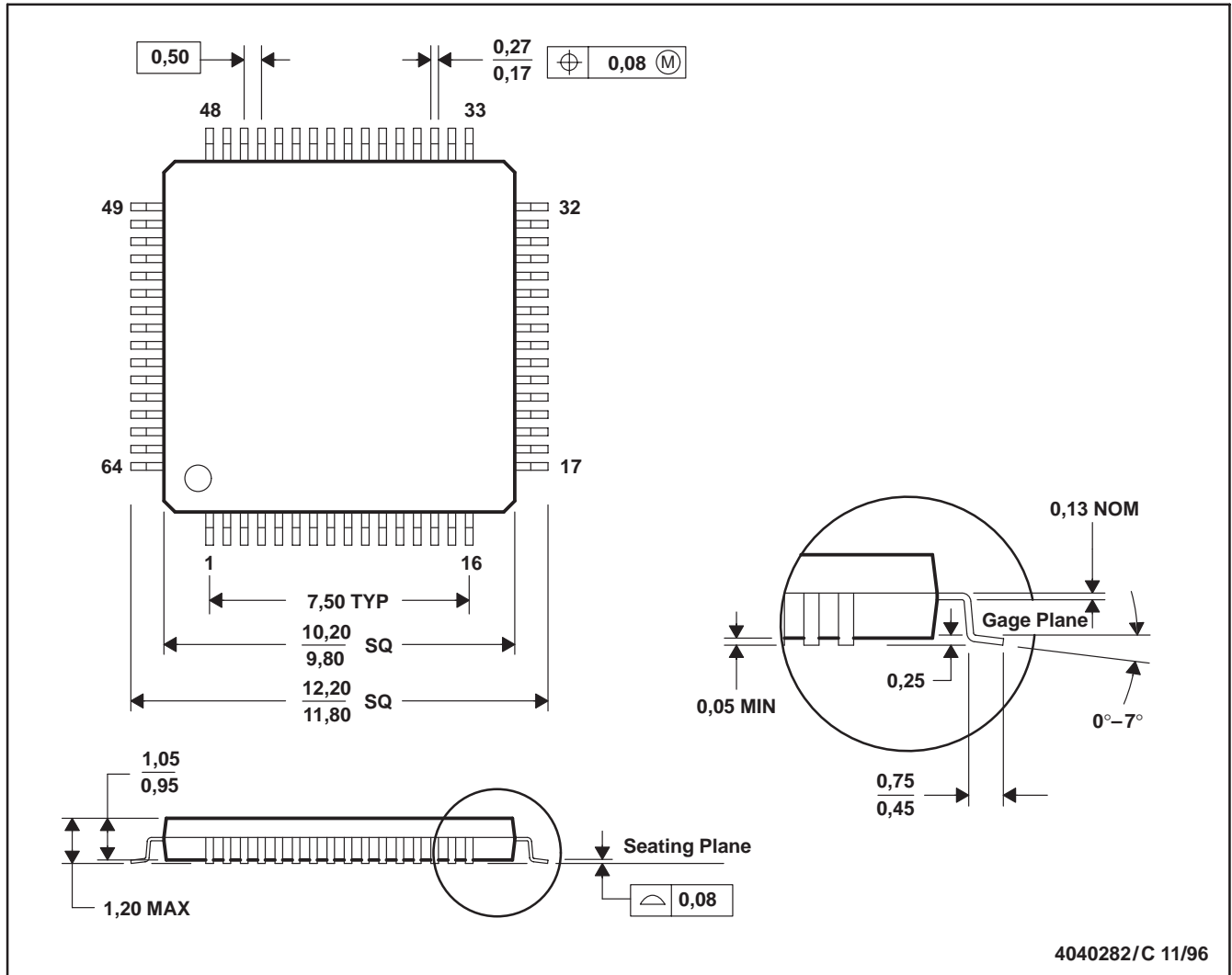
PLASTIC QUAD FLATPACK NO-LEAD



- NOTES:
- A. All linear dimensions are in millimeters.
  - B. This drawing is subject to change without notice.
  - C. Publication IPC-7351 is recommended for alternate designs.
  - D. This package is designed to be soldered to a thermal pad on the board. Refer to Application Note, Quad Flat-Pack Package, Texas Instruments Literature No. SLUA271, and also the Product Data Sheets for specific thermal information, via requirements, and recommended board layout. These documents are available at [www.ti.com](http://www.ti.com) <<http://www.ti.com>>.
  - E. Laser cutting apertures with electropolish and also rounding corners will offer better paste release. Customers should contact their board assembly site for stencil design recommendations. Refer to IPC 7525 for stencil design considerations.
  - F. Customer should contact their board fabrication site for recommended solder mask tolerances and vias tenting recommendations for vias placed into the thermal pad.

PAG (S-PQFP-G64)

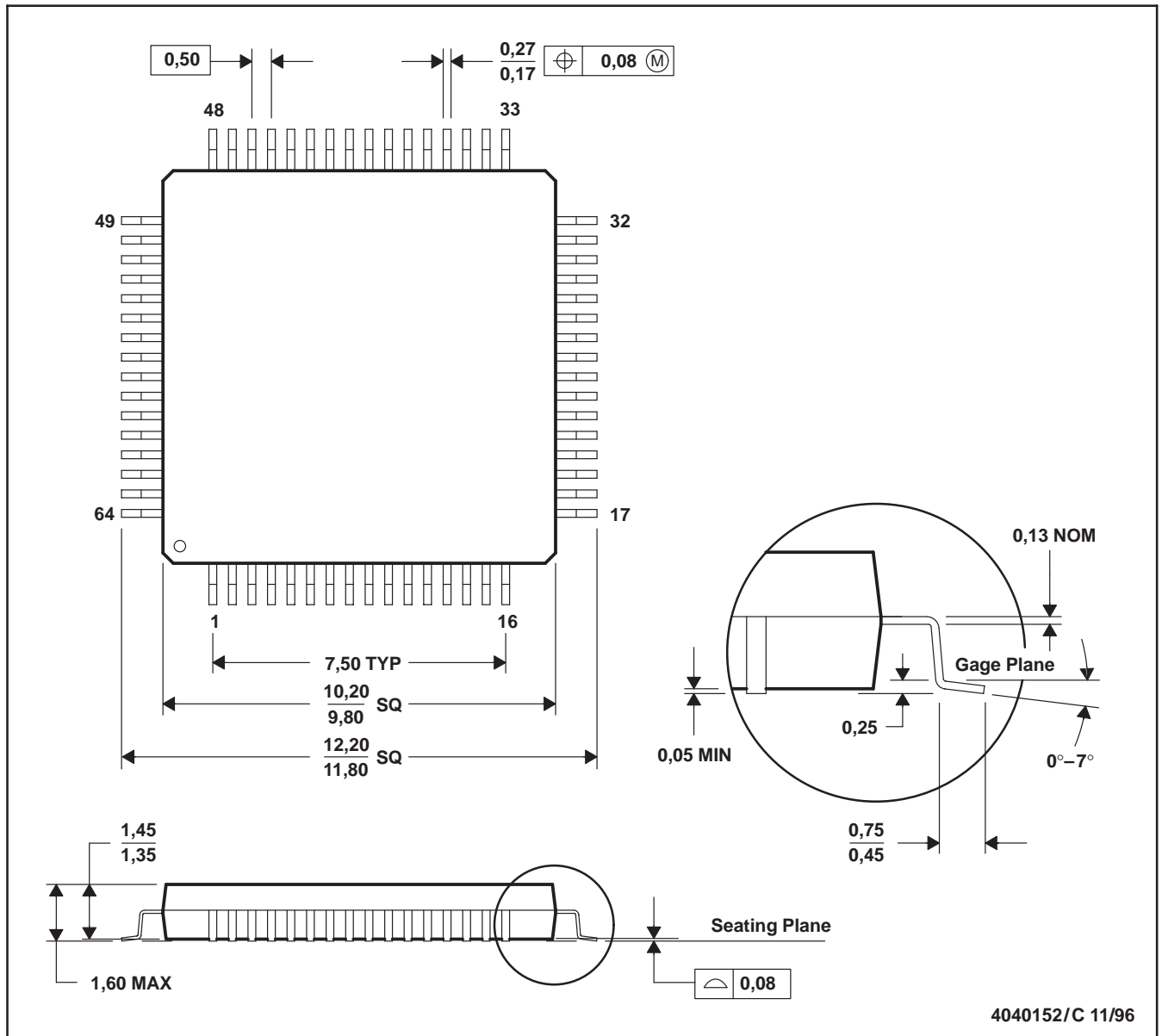
PLASTIC QUAD FLATPACK



- NOTES: A. All linear dimensions are in millimeters.  
 B. This drawing is subject to change without notice.  
 C. Falls within JEDEC MS-026

PM (S-PQFP-G64)

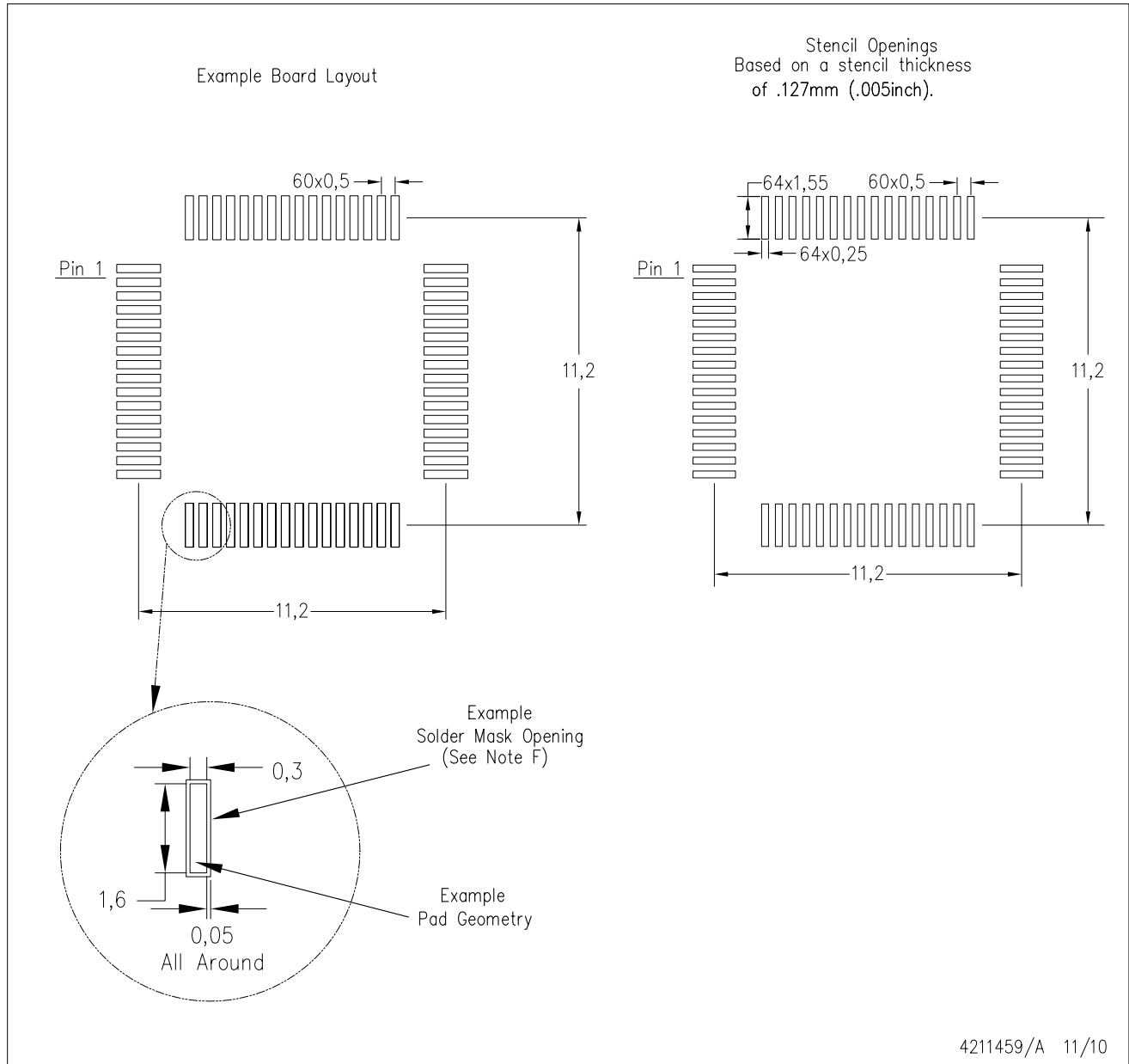
PLASTIC QUAD FLATPACK



- NOTES: A. All linear dimensions are in millimeters.  
 B. This drawing is subject to change without notice.  
 C. Falls within JEDEC MS-026  
 D. May also be thermally enhanced plastic with leads connected to the die pads.

PM (S-PQFP-G64)

PLASTIC QUAD FLATPACK



- NOTES:
- A. All linear dimensions are in millimeters.
  - B. This drawing is subject to change without notice.
  - C. Laser cutting apertures with trapezoidal walls and also rounding corners will offer better paste release. Customers should contact their board assembly site for stencil design recommendations. Example stencil design based on a 50% volumetric metal load solder paste. Refer to IPC-7525 for other stencil recommendations.
  - D. Customers should contact their board fabrication site for solder mask tolerances between and around signal pads.

## IMPORTANT NOTICE

Texas Instruments Incorporated (TI) reserves the right to make corrections, enhancements, improvements and other changes to its semiconductor products and services per JESD46, latest issue, and to discontinue any product or service per JESD48, latest issue. Buyers should obtain the latest relevant information before placing orders and should verify that such information is current and complete.

TI's published terms of sale for semiconductor products (<http://www.ti.com/sc/docs/stdterms.htm>) apply to the sale of packaged integrated circuit products that TI has qualified and released to market. Additional terms may apply to the use or sale of other types of TI products and services.

Reproduction of significant portions of TI information in TI data sheets is permissible only if reproduction is without alteration and is accompanied by all associated warranties, conditions, limitations, and notices. TI is not responsible or liable for such reproduced documentation. Information of third parties may be subject to additional restrictions. Resale of TI products or services with statements different from or beyond the parameters stated by TI for that product or service voids all express and any implied warranties for the associated TI product or service and is an unfair and deceptive business practice. TI is not responsible or liable for any such statements.

Buyers and others who are developing systems that incorporate TI products (collectively, "Designers") understand and agree that Designers remain responsible for using their independent analysis, evaluation and judgment in designing their applications and that Designers have full and exclusive responsibility to assure the safety of Designers' applications and compliance of their applications (and of all TI products used in or for Designers' applications) with all applicable regulations, laws and other applicable requirements. Designer represents that, with respect to their applications, Designer has all the necessary expertise to create and implement safeguards that (1) anticipate dangerous consequences of failures, (2) monitor failures and their consequences, and (3) lessen the likelihood of failures that might cause harm and take appropriate actions. Designer agrees that prior to using or distributing any applications that include TI products, Designer will thoroughly test such applications and the functionality of such TI products as used in such applications.

TI's provision of technical, application or other design advice, quality characterization, reliability data or other services or information, including, but not limited to, reference designs and materials relating to evaluation modules, (collectively, "TI Resources") are intended to assist designers who are developing applications that incorporate TI products; by downloading, accessing or using TI Resources in any way, Designer (individually or, if Designer is acting on behalf of a company, Designer's company) agrees to use any particular TI Resource solely for this purpose and subject to the terms of this Notice.

TI's provision of TI Resources does not expand or otherwise alter TI's applicable published warranties or warranty disclaimers for TI products, and no additional obligations or liabilities arise from TI providing such TI Resources. TI reserves the right to make corrections, enhancements, improvements and other changes to its TI Resources. TI has not conducted any testing other than that specifically described in the published documentation for a particular TI Resource.

Designer is authorized to use, copy and modify any individual TI Resource only in connection with the development of applications that include the TI product(s) identified in such TI Resource. NO OTHER LICENSE, EXPRESS OR IMPLIED, BY ESTOPPEL OR OTHERWISE TO ANY OTHER TI INTELLECTUAL PROPERTY RIGHT, AND NO LICENSE TO ANY TECHNOLOGY OR INTELLECTUAL PROPERTY RIGHT OF TI OR ANY THIRD PARTY IS GRANTED HEREIN, including but not limited to any patent right, copyright, mask work right, or other intellectual property right relating to any combination, machine, or process in which TI products or services are used. Information regarding or referencing third-party products or services does not constitute a license to use such products or services, or a warranty or endorsement thereof. Use of TI Resources may require a license from a third party under the patents or other intellectual property of the third party, or a license from TI under the patents or other intellectual property of TI.

TI RESOURCES ARE PROVIDED "AS IS" AND WITH ALL FAULTS. TI DISCLAIMS ALL OTHER WARRANTIES OR REPRESENTATIONS, EXPRESS OR IMPLIED, REGARDING RESOURCES OR USE THEREOF, INCLUDING BUT NOT LIMITED TO ACCURACY OR COMPLETENESS, TITLE, ANY EPIDEMIC FAILURE WARRANTY AND ANY IMPLIED WARRANTIES OF MERCHANTABILITY, FITNESS FOR A PARTICULAR PURPOSE, AND NON-INFRINGEMENT OF ANY THIRD PARTY INTELLECTUAL PROPERTY RIGHTS. TI SHALL NOT BE LIABLE FOR AND SHALL NOT DEFEND OR INDEMNIFY DESIGNER AGAINST ANY CLAIM, INCLUDING BUT NOT LIMITED TO ANY INFRINGEMENT CLAIM THAT RELATES TO OR IS BASED ON ANY COMBINATION OF PRODUCTS EVEN IF DESCRIBED IN TI RESOURCES OR OTHERWISE. IN NO EVENT SHALL TI BE LIABLE FOR ANY ACTUAL, DIRECT, SPECIAL, COLLATERAL, INDIRECT, PUNITIVE, INCIDENTAL, CONSEQUENTIAL OR EXEMPLARY DAMAGES IN CONNECTION WITH OR ARISING OUT OF TI RESOURCES OR USE THEREOF, AND REGARDLESS OF WHETHER TI HAS BEEN ADVISED OF THE POSSIBILITY OF SUCH DAMAGES.

Unless TI has explicitly designated an individual product as meeting the requirements of a particular industry standard (e.g., ISO/TS 16949 and ISO 26262), TI is not responsible for any failure to meet such industry standard requirements.

Where TI specifically promotes products as facilitating functional safety or as compliant with industry functional safety standards, such products are intended to help enable customers to design and create their own applications that meet applicable functional safety standards and requirements. Using products in an application does not by itself establish any safety features in the application. Designers must ensure compliance with safety-related requirements and standards applicable to their applications. Designer may not use any TI products in life-critical medical equipment unless authorized officers of the parties have executed a special contract specifically governing such use. Life-critical medical equipment is medical equipment where failure of such equipment would cause serious bodily injury or death (e.g., life support, pacemakers, defibrillators, heart pumps, neurostimulators, and implantables). Such equipment includes, without limitation, all medical devices identified by the U.S. Food and Drug Administration as Class III devices and equivalent classifications outside the U.S.

TI may expressly designate certain products as completing a particular qualification (e.g., Q100, Military Grade, or Enhanced Product). Designers agree that it has the necessary expertise to select the product with the appropriate qualification designation for their applications and that proper product selection is at Designers' own risk. Designers are solely responsible for compliance with all legal and regulatory requirements in connection with such selection.

Designer will fully indemnify TI and its representatives against any damages, costs, losses, and/or liabilities arising out of Designer's non-compliance with the terms and provisions of this Notice.