

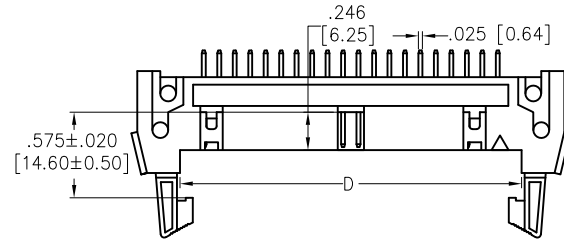
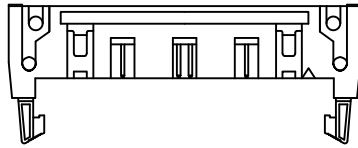
APPROVED: \_\_\_\_\_

DATE: \_\_\_\_\_ TITLE: \_\_\_\_\_

Rev	AWO #	Description	Date	Appr
-		RELEASED	3/25/10	
A		ADDED DRAWING	12/25/18	AY/RC1
B		ADDED DRAWING	12/23/21	JJ/JL1

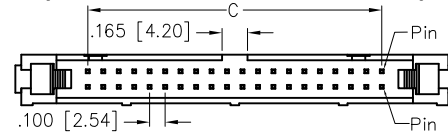
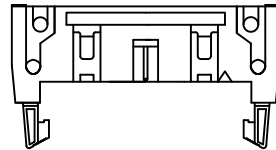
D

60, 64 PIN



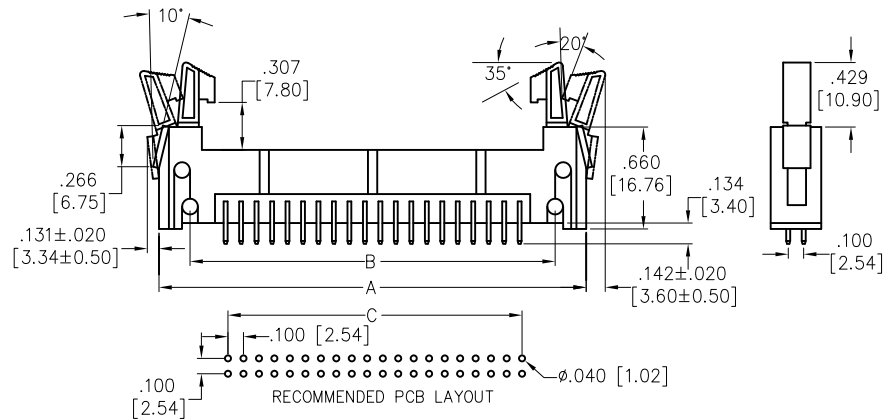
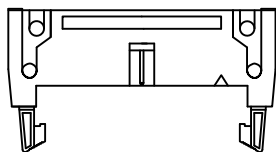
C

20, 24, 26, 30, 34, 40, 50 PIN



B

10, 14, 16 PIN



A

**SPECIFICATIONS:**

**Material:**

Insulator: PBT, glass reinforced, rated UL 94V-0, Color: Black

Contacts: Brass

**Plating:**

Gold flash over Nickel underplate overall

**Electrical:**

Current rating: 1 Amp

Contact Resistance: 10 mohm max

Insulation resistance: 1000 Mohm min

Dielectric withstanding voltage: 500 VAC for 1 minute

Temperature Rating:

Operating temperature: -55°C to +105°C

**Environmental:**

Lead free, RoHS compliant.



Positions: 10, 14, 16, 20, 24, 26, 30, 34, 40, 50, 60, 64

A = .100 [2.54] x No. of Spaces + .855 [21.71]

B = .100 [2.54] x No. of Spaces + .454 [11.54]

C = .100 [2.54] x No. of Spaces

D = .100 [2.54] x No. of Spaces + .305 [7.74]

UNLESS OTHERWISE SPECIFIED ALL DIMENSIONS ARE INCHES [MM]. TOLERANCES: EXCEPT AS NOTED

INCHES	Holes
.x ± .10	∅x ±.10
.xx ± .020	∅xx ±.015
.xxx ± .015	∅xxx ±.010



909 Rahway Avenue,  
Union, NJ 07083  
Phone: 908-687-5000  
Fax: 908-687-5710

DRAWN	DY	3/25/10
CHECKED		
APPROVED		

TITLE	LATCH BOX HEADER, VERTICAL TYPE LONG EJECTOR LATCHES	
SIZE	PART NO.	REV.
X	MHR-XX-VUAL	B

THIS DRAWING CONTAINS INFORMATION THAT IS PROPRIETARY AND SHOULD NOT BE USED WITHOUT PRIOR WRITTEN PERMISSION FROM ADAM TECH

REF:	S00059T	SCALE:	NTS	SHEET	1 OF 1
------	---------	--------	-----	-------	--------

6

5

4

3

2

1

6

5

4

3

2

1