

## LP2995 DDR Termination Regulator

Check for Samples: [LP2995](#)

### FEATURES

- Low Output Voltage Offset
- Works with +5v, +3.3v and 2.5v Rails
- Source and Sink Current
- Low External Component Count
- No External Resistors Required
- Linear Topology
- Available in SOIC-8, SO PowerPAD-8 or WQFN-16 Packages
- Low Cost and Easy to Use

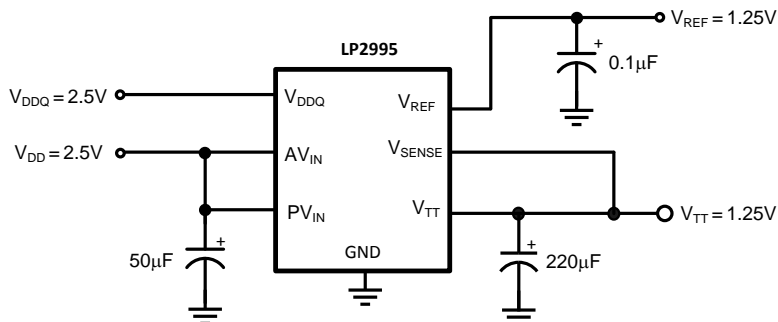
### DESCRIPTION

The LP2995 linear regulator is designed to meet the JEDEC SSTL-2 and SSTL-3 specifications for termination of DDR-SDRAM. The device contains a high-speed operational amplifier to provide excellent response to load transients. The output stage prevents shoot through while delivering 1.5A continuous current and transient peaks up to 3A in the application as required for DDR-SDRAM termination. The LP2995 also incorporates a  $V_{SENSE}$  pin to provide superior load regulation and a  $V_{REF}$  output as a reference for the chipset and DDR DIMMS.

### APPLICATIONS

- DDR Termination Voltage
- SSTL-2
- SSTL-3

### Typical Application Circuit



Please be aware that an important notice concerning availability, standard warranty, and use in critical applications of Texas Instruments semiconductor products and disclaimers thereto appears at the end of this data sheet.

All trademarks are the property of their respective owners.

Connection Diagram

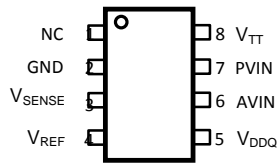


Figure 1. SOIC-8 (D0008A) Package Top View

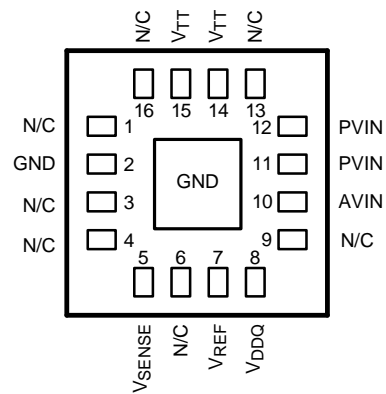


Figure 2. NHP-16 Package Top View

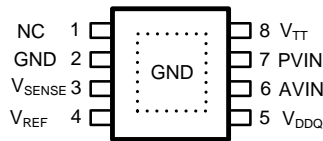


Figure 3. SO PowerPAD-8 (DDA0008A) Package Top View

PIN DESCRIPTIONS

SOIC-8 Pin or SO PowerPAD-8 Pin	WQFN Pin	Name	Function
1	1,3,4,6,9, 13,16	NC	No internal connection. Can be used for vias.
2	2	GND	Ground.
3	5	VSENSE	Feedback pin for regulating VTT.
4	7	VREF	Buffered internal reference voltage of VDDQ/2.
5	8	VDDQ	Input for internal reference equal to VDDQ/2.
6	10	AVIN	Analog input pin.
7	11, 12	PVIN	Power input pin.
8	14, 15	VTT	Output voltage for connection to termination resistors.
	EP	EP	Exposed pad thermal connection. Connect to Ground.



These devices have limited built-in ESD protection. The leads should be shorted together or the device placed in conductive foam during storage or handling to prevent electrostatic damage to the MOS gates.

### Absolute Maximum Ratings <sup>(1)(2)</sup>

AVIN to GND	-0.3V to +6V
PVIN to GND	-0.3V to AVIN
VDDQ <sup>(3)</sup>	-0.3V to +6V
Storage Temp. Range	-65°C to +150°C
Junction Temperature	150°C
SO PowerPAD-8 Thermal Resistance ( $\theta_{JA}$ )	43°C/W
SOIC-8 Thermal Resistance ( $\theta_{JA}$ )	151°C/W
WQFN-16 Thermal Resistance ( $\theta_{JA}$ )	51°C/W
Lead Temperature (Soldering, 10 sec)	260°C
ESD Rating <sup>(4)</sup>	1kV

- (1) Absolute maximum ratings indicate limits beyond which damage to the device may occur. Operating range indicates conditions for which the device is intended to be functional, but does not ensure specific performance limits. For ensured specifications and test conditions see Electrical Characteristics. The ensured specifications apply only for the test conditions listed. Some performance characteristics may degrade when the device is not operated under the listed test conditions.
- (2) If Military/Aerospace specified devices are required, please contact the Texas Instruments Sales Office/Distributors for availability and specifications.
- (3) VDDQ voltage must be less than  $2 \times (AVIN - 1)$  or 6V, whichever is smaller.
- (4) The human body model is a 100pF capacitor discharged through a 1.5k $\Omega$  resistor into each pin.

### Operating Range

Junction Temp. Range <sup>(1)</sup>	0°C to +125°C
AVIN to GND	2.2V to 5.5V
PVIN to GND	2.2V to AVIN

- (1) At elevated temperatures, devices must be derated based on thermal resistance. The device in the SOIC-8 package must be derated at  $\theta_{JA} = 151^\circ \text{C/W}$  junction to ambient with no heat sink. The device in the WQFN-16 must be derated at  $\theta_{JA} = 51^\circ \text{C/W}$  junction to ambient.

### Electrical Characteristics

Specifications with standard typeface are for  $T_J = 25^\circ\text{C}$  and limits in **boldface type** apply over the full **Operating Temperature Range** ( $T_J = 0^\circ\text{C}$  to  $+125^\circ\text{C}$ ). Unless otherwise specified, AVIN = PVIN = 2.5V, VDDQ = 2.5V<sup>(1)</sup>.

Symbol	Parameter	Conditions	Min	Typ	Max	Units
$V_{REF}$	$V_{REF}$ Voltage	$I_{REF\_OUT} = 0\text{mA}$	<b>1.21</b>	1.235	<b>1.26</b>	V
$V_{OS_{V_{TT}}}$	$V_{TT}$ Output Voltage Offset	$I_{OUT} = 0\text{A}$ <sup>(2)</sup>	-15 <b>-20</b>	0	15 <b>20</b>	mV
$\Delta V_{TT}/V_{TT}$	Load Regulation <sup>(3)</sup>	$I_{OUT} = 0$ to 1.5A		0.5		%
		$I_{OUT} = 0$ to -1.5A		-0.5		
$Z_{V_{REF}}$	$V_{REF}$ Output Impedance	$I_{REF} = -5\mu\text{A}$ to $+5\mu\text{A}$		5		k $\Omega$
$Z_{V_{DDQ}}$	VDDQ Input Impedance			100		k $\Omega$
$I_q$	Quiescent Current	$I_{OUT} = 0\text{A}$ <sup>(4)</sup>		250	<b>400</b>	$\mu\text{A}$

- (1) Limits are 100% production tested at 25°C. Limits over the operating temperature range are specified through correlation using Statistical Quality Control (SQC) methods. The limits are used to calculate TI's Average Outgoing Quality Level (AOQL).
- (2)  $V_{TT}$  offset is the voltage measurement defined as  $V_{TT}$  subtracted from  $V_{REF}$ .
- (3) Load regulation is tested by using a 10ms current pulse and measuring  $V_{TT}$ .
- (4) Quiescent current defined as the current flow into AVIN.

Typical Performance Characteristics

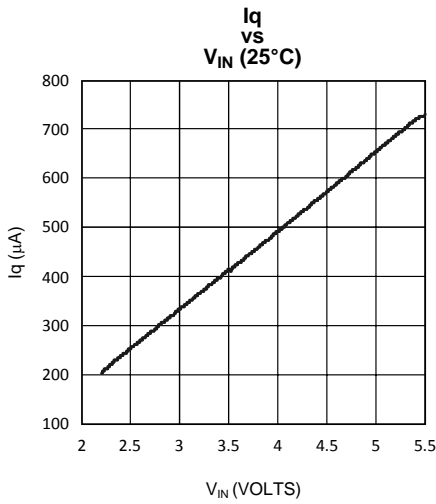


Figure 4.

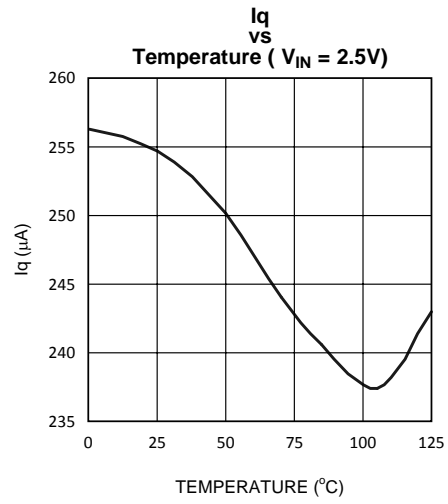


Figure 5.

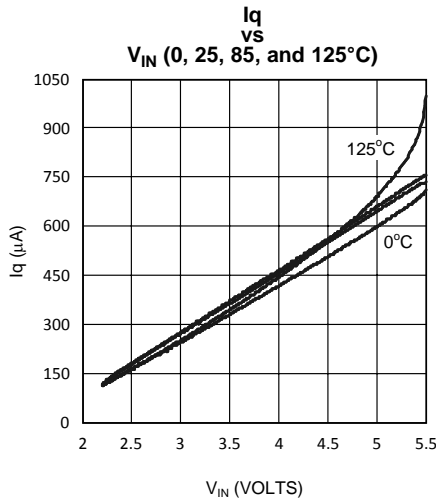


Figure 6.

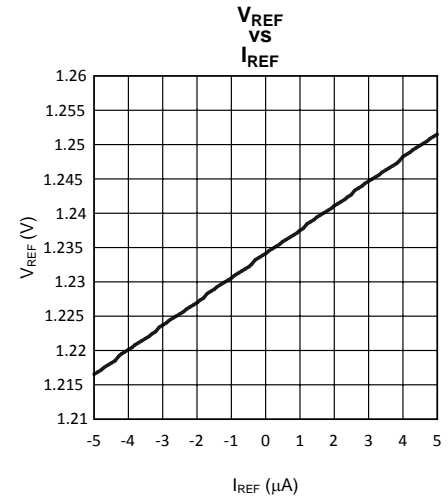


Figure 7.

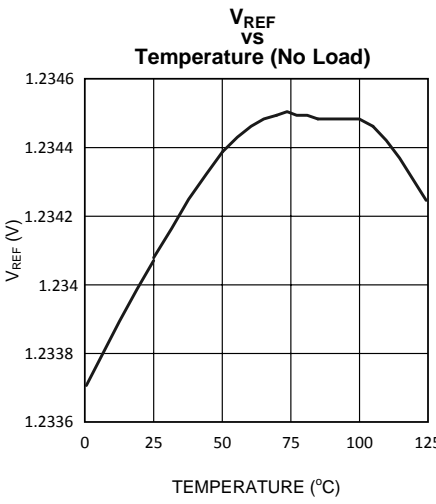


Figure 8.

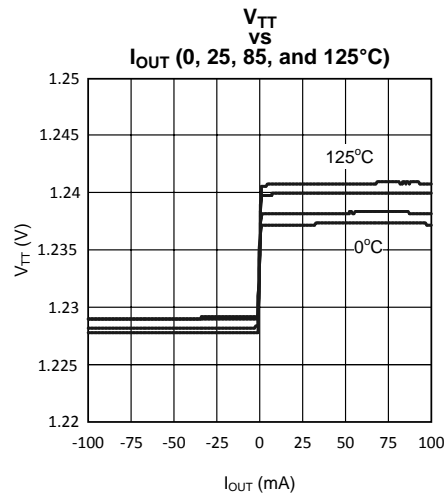


Figure 9.

Typical Performance Characteristics (continued)

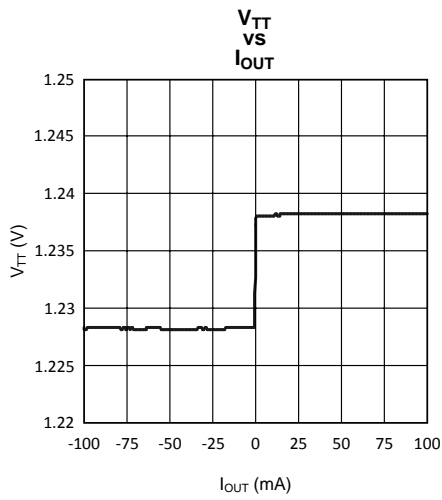


Figure 10.

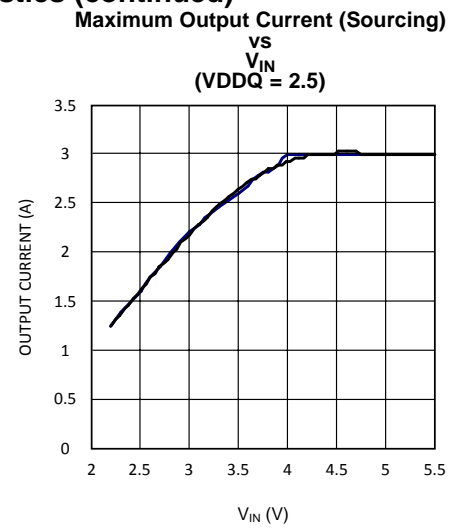


Figure 11.

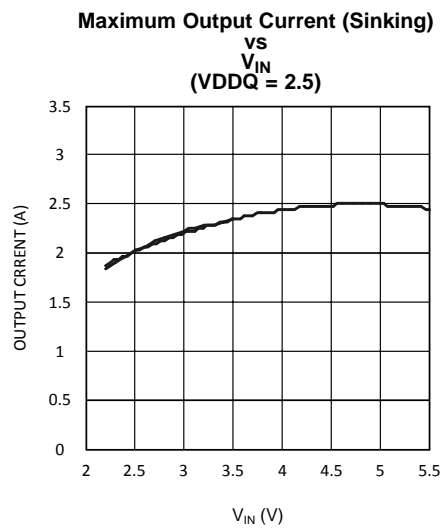
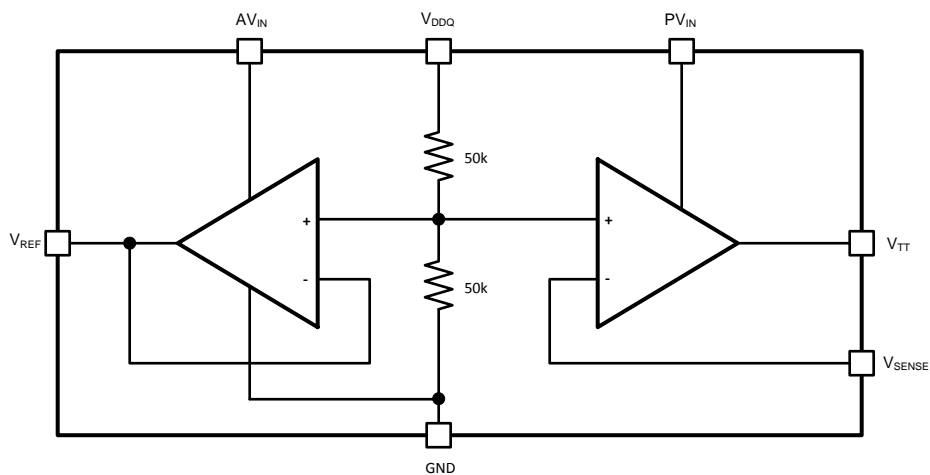


Figure 12.

### Block Diagram



## DETAILED DESCRIPTION

The LP2995 is a linear bus termination regulator designed to meet the JEDEC requirements of SSTL-2 and SSTL-3. The LP2995 is capable of sinking and sourcing current at the output  $V_{TT}$ , regulating the voltage to equal  $V_{DDQ} / 2$ . A buffered reference voltage that also tracks  $V_{DDQ} / 2$  is generated on the  $V_{REF}$  pin for providing a global reference to the DDR-SDRAM and Northbridge Chipset.  $V_{TT}$  is designed to track the  $V_{REF}$  voltage with a tight tolerance over the entire current range while preventing shoot through on the output stage.

Series Stub Termination Logic (SSTL) was created to improve signal integrity of the data transmission across the memory bus. This termination scheme is essential to prevent data error from signal reflections while transmitting at high frequencies encountered with DDR RAM. The most common form of termination is Class II single parallel termination. This involves using one  $R_S$  series resistor from the chipset to the memory and one  $R_T$  termination resistor. This implementation can be seen below in Figure 13.

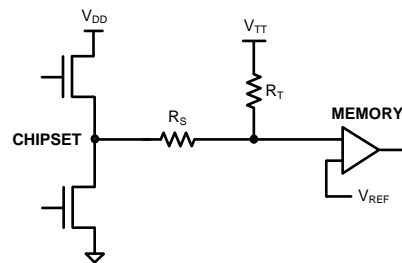


Figure 13.

Typical values for  $R_S$  and  $R_T$  are 25 Ohms although these can be changed to scale the current requirements from the LP2995. For determination of the current requirements of DDR-SDRAM termination please refer to the accompanying application notes.

## Pin Descriptions

### AVIN AND PVIN

AVIN and PVIN are the input supply pins for the LP2995. AVIN is used to supply all the internal control circuitry for the two op-amps and the output stage of  $V_{REF}$ . PVIN is used exclusively to provide the rail voltage for the output stage on the power operational amplifier used to create  $V_{TT}$ . For SSTL-2 applications AVIN and PVIN pins should be connected directly and tied to the 2.5V rail for optimal performance. This eliminates the need for bypassing the two supply pins separately.

### VDDQ

VDDQ is the input that is used to create the internal reference voltage for regulating  $V_{TT}$  and  $V_{REF}$ . This voltage is generated by two internal 50k $\Omega$  resistors. This specifies that  $V_{TT}$  and  $V_{REF}$  will track  $V_{DDQ} / 2$  precisely. The optimal implementation of VDDQ is as a remote sense for the reference input. This can be achieved by connecting VDDQ directly to the 2.5V rail at the DIMM. This ensures that the reference voltage tracks the DDR memory rails precisely without a large voltage drop from the power lines. For SSTL-2 applications VDDQ will be a 2.5V signal, which will create a 1.25V reference voltage on  $V_{REF}$  and a 1.25V termination voltage at  $V_{TT}$ . For SSTL-3 applications it may be desirable to have a different scaling factor for creating the internal reference voltage besides 0.5. For instance a typical value that is commonly used is to have the reference voltage equal  $V_{DDQ} * 0.45$ . This can be achieved by placing a resistor in series with the VDDQ pin to effectively change the resistor divider.

### $V_{SENSE}$

The purpose of the sense pin is to provide improved remote load regulation. In most motherboard applications the termination resistors will connect to  $V_{TT}$  in a long plane. If the output voltage was regulated only at the output of the LP2995, then the long trace will cause a significant IR drop, resulting in a termination voltage lower at one end of the bus than the other. The  $V_{SENSE}$  pin can be used to improve this performance, by connecting it to the middle of the bus. This will provide a better distribution across the entire termination bus.

**NOTE**

If remote load regulation is not used, then the  $V_{\text{SENSE}}$  pin must still be connected to  $V_{\text{TT}}$ .

 **$V_{\text{REF}}$** 

$V_{\text{REF}}$  provides the buffered output of the internal reference voltage  $V_{\text{DDQ}} / 2$ . This output should be used to provide the reference voltage for the Northbridge chipset and memory. Since these inputs are typically an extremely high impedance, there should be little current drawn from  $V_{\text{REF}}$ . For improved performance, an output bypass capacitor can be used, located close to the pin, to help with noise. A ceramic capacitor in the range of 0.1  $\mu\text{F}$  to 0.01  $\mu\text{F}$  is recommended.

 **$V_{\text{TT}}$** 

$V_{\text{TT}}$  is the regulated output that is used to terminate the bus resistors. It is capable of sinking and sourcing current while regulating the output precisely to  $V_{\text{DDQ}} / 2$ . The LP2995 is designed to handle peak transient currents of up to  $\pm 3\text{A}$  with a fast transient response. The maximum continuous current is a function of  $V_{\text{IN}}$  and can be viewed in the [Typical Performance Characteristics](#) section. If a transient is expected to last above the maximum continuous current rating for a significant amount of time then the output capacitor should be sized large enough to prevent an excessive voltage drop. Despite the fact that the LP2995 is designed to handle large transient output currents it is not capable of handling these for long durations, under all conditions. The reason for this is the standard packages are not able to thermally dissipate the heat as a result of the internal power loss. If large currents are required for longer durations, then care should be taken to ensure that the maximum junction temperature is not exceeded. Proper thermal derating should always be used (please refer to the [Thermal Dissipation](#) section).

**Component Selection****INPUT CAPACITOR**

The LP2995 does not require a capacitor for input stability, but it is recommended for improved performance during large load transients to prevent the input rail from dropping. The input capacitor should be located as close as possible to the PVIN pin. Several recommendations exist dependent on the application required. A typical value recommended for AL electrolytic capacitors is 50  $\mu\text{F}$ . Ceramic capacitors can also be used, a value in the range of 10  $\mu\text{F}$  with X5R or better would be an ideal choice. The input capacitance can be reduced if the LP2995 is placed close to the bulk capacitance from the output of the 2.5V DC-DC converter.

**OUTPUT CAPACITOR**

The LP2995 has been designed to be insensitive of output capacitor size or ESR (Equivalent Series Resistance). This allows the flexibility to use any capacitor desired. The choice for output capacitor will be determined solely on the application and the requirements for load transient response of  $V_{\text{TT}}$ . As a general recommendation the output capacitor should be sized above 100  $\mu\text{F}$  with a low ESR for SSTL applications with DDR-SDRAM. The value of ESR should be determined by the maximum current spikes expected and the extent at which the output voltage is allowed to droop. Several capacitor options are available on the market and a few of these are highlighted below:

- AL - It should be noted that many aluminum electrolytics only specify impedance at a frequency of 120 Hz, which indicates they have poor high frequency performance. Only aluminum electrolytics that have an impedance specified at a higher frequency (between 20 kHz and 100 kHz) should be used for the LP2995. To improve the ESR several AL electrolytics can be combined in parallel for an overall reduction. An important note to be aware of is the extent at which the ESR will change over temperature. Aluminum electrolytic capacitors can have their ESR rapidly increase at cold temperatures.
- Ceramic - Ceramic capacitors typically have a low capacitance, in the range of 10 to 100  $\mu\text{F}$  range, but they have excellent AC performance for bypassing noise because of very low ESR (typically less than 10 m $\Omega$ ). However, some dielectric types do not have good capacitance characteristics as a function of voltage and temperature. Because of the typically low value of capacitance it is recommended to use ceramic capacitors in parallel with another capacitor such as an aluminum electrolytic. A dielectric of X5R or better is recommended for all ceramic capacitors.
- Hybrid - Several hybrid capacitors such as OS-CON and SP are available from several manufacturers. These offer a large capacitance while maintaining a low ESR. These are the best solution when size and

performance are critical, although their cost is typically higher than any other capacitor.

Capacitor recommendations for different application circuits can be seen in the accompanying application notes with supporting evaluation boards.

### Thermal Dissipation

Since the LP2995 is a linear regulator any current flow from  $V_{TT}$  will result in internal power dissipation generating heat. To prevent damaging the part from exceeding the maximum allowable junction temperature, care should be taken to derate the part dependent on the maximum expected ambient temperature and power dissipation. The maximum allowable internal temperature rise ( $T_{Rmax}$ ) can be calculated given the maximum ambient temperature ( $T_{Amax}$ ) of the application and the maximum allowable junction temperature ( $T_{Jmax}$ ).

$$T_{Rmax} = T_{Jmax} - T_{Amax}$$

From this equation, the maximum power dissipation ( $P_{Dmax}$ ) of the part can be calculated:

$$P_{Dmax} = T_{Rmax} / \theta_{JA}$$

The  $\theta_{JA}$  of the LP2995 will be dependent on several variables: the package used; the thickness of copper; the number of vias and the airflow. For instance, the  $\theta_{JA}$  of the SOIC-8 is 163°C/W with the package mounted to a standard 8x4 2-layer board with 1oz. copper, no airflow, and 0.5W dissipation at room temperature. This value can be reduced to 151.2°C/W by changing to a 3x4 board with 2 oz. copper that is the JEDEC standard. [Figure 14](#) shows how the  $\theta_{JA}$  varies with airflow for the two boards mentioned.

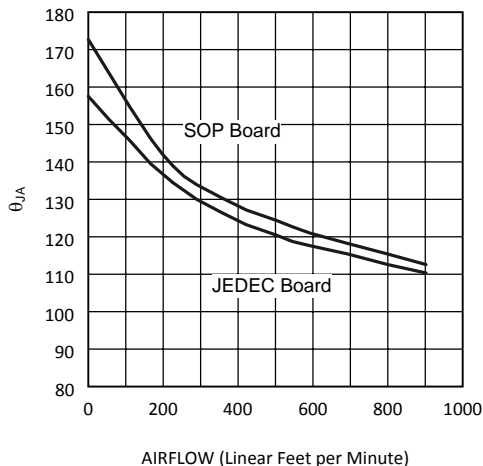
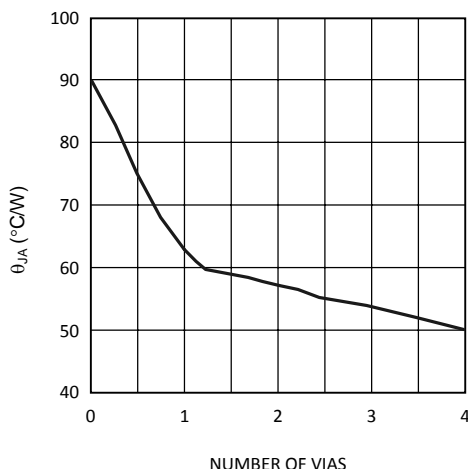


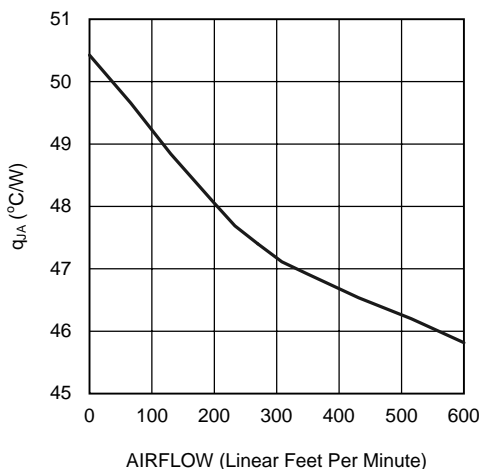
Figure 14.  $\theta_{JA}$  vs Airflow (SOIC-8)

Layout is also extremely critical to maximize the output current with the WQFN package. By simply placing vias under the DAP the  $\theta_{JA}$  can be lowered significantly. [Figure 15](#) shows the WQFN thermal data when placed on a 4-layer JEDEC board with copper thickness of 0.5/1/1/0.5 oz. The number of vias, with a pitch of 1.27 mm, has been increased to the maximum of 4 where a  $\theta_{JA}$  of 50.41°C/W can be obtained. Via wall thickness for this calculation is 0.036 mm for 1oz. Copper.



**Figure 15. WQFN-16  $\theta_{JA}$  vs # of Vias (4 Layer JEDEC Board)**

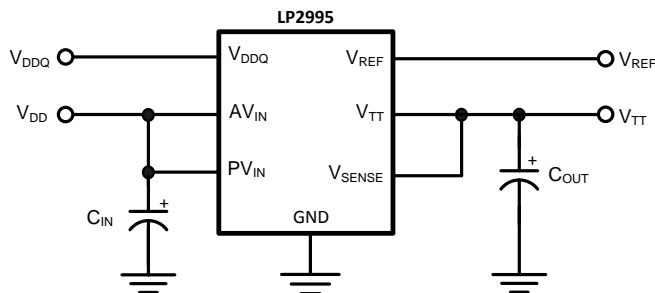
Additional improvements in lowering the  $\theta_{JA}$  can also be achieved with a constant airflow across the package. Maintaining the same conditions as above and utilizing the 2x2 via array, [Figure 16](#) shows how the  $\theta_{JA}$  varies with airflow.



**Figure 16.  $\theta_{JA}$  vs Airflow Speed (JEDEC Board with 4 Vias)**

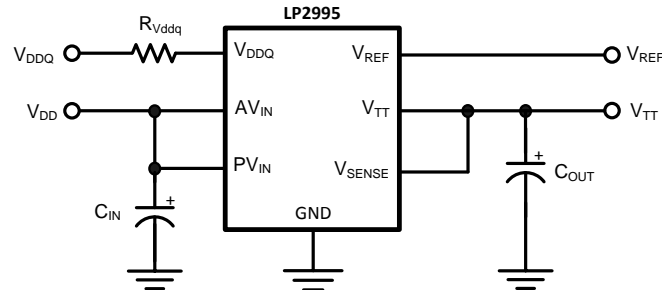
**Typical Application Circuits**

The typical application circuit used for SSTL-2 termination schemes with DDR-SDRAM can be seen in [Figure 17](#).



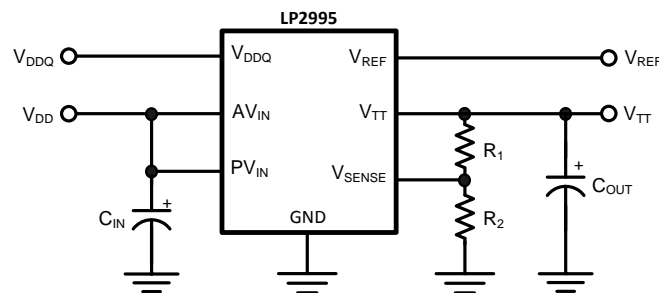
**Figure 17. SSTL-2 Implementation**

For SSTL-3 and other applications it may be desirable to change internal reference voltage scaling from  $V_{DDQ} * 0.5$ . An external resistor in series with the  $V_{DDQ}$  pin can be used to lower the reference voltage. Internally two 50 k $\Omega$  resistors set the output  $V_{TT}$  to be equal to  $V_{DDQ} * 0.5$ . The addition of a 11.1 k $\Omega$  external resistor will change the internal reference voltage causing the two outputs to track  $V_{DDQ} * 0.45$ . An implementation of this circuit can be seen in [Figure 18](#).



**Figure 18. SSTL-3 Implementation**

Another application that is sometimes required is to increase the  $V_{TT}$  output voltage from the scaling factor of  $V_{DDQ} * 0.5$ . This can be accomplished independently of  $V_{REF}$  by using a resistor divider network between  $V_{TT}$ ,  $V_{SENSE}$  and Ground. An example of this circuit can be seen in [Figure 19](#).



**Figure 19.**

### PCB Layout Considerations

1. AVIN and PVIN should be tied together for optimal performance. A local bypass capacitor should be placed as close as possible to the PVIN pin.
2. GND should be connected to a ground plane with multiple vias for improved thermal performance.
3.  $V_{SENSE}$  should be connected to the  $V_{TT}$  termination bus at the point where regulation is required. For motherboard applications an ideal location would be at the center of the termination bus.
4.  $V_{DDQ}$  can be connected remotely to the  $V_{DDQ}$  rail input at either the DIMM or the Chipset. This provides the most accurate point for creating the reference voltage.
5.  $V_{REF}$  should be bypassed with a 0.01  $\mu\text{F}$  or 0.1  $\mu\text{F}$  ceramic capacitor for improved performance. This capacitor should be located as close as possible to the  $V_{REF}$  pin.

## REVISION HISTORY

### Changes from Revision L (March 2013) to Revision M

Page

- 
- Changed layout of National Data Sheet to TI format ..... [11](#)
-

**PACKAGING INFORMATION**

Orderable Device	Status (1)	Package Type	Package Drawing	Pins	Package Qty	Eco Plan (2)	Lead/Ball Finish (6)	MSL Peak Temp (3)	Op Temp (°C)	Device Marking (4/5)	Samples
LP2995LQ/NOPB	ACTIVE	WQFN	NHP	16	1000	Green (RoHS & no Sb/Br)	CU SN	Level-3-260C-168 HR	0 to 125	L00005B	<a href="#">Samples</a>
LP2995M	NRND	SOIC	D	8	95	TBD	Call TI	Call TI	0 to 125	2995M	
LP2995M/NOPB	ACTIVE	SOIC	D	8	95	Green (RoHS & no Sb/Br)	CU SN	Level-1-260C-UNLIM	0 to 125	2995M	<a href="#">Samples</a>
LP2995MR	NRND	SO PowerPAD	DDA	8	95	TBD	Call TI	Call TI	0 to 125	LP2995	
LP2995MR/NOPB	ACTIVE	SO PowerPAD	DDA	8	95	Green (RoHS & no Sb/Br)	CU SN	Level-3-260C-168 HR	0 to 125	LP2995	<a href="#">Samples</a>
LP2995MRX	NRND	SO PowerPAD	DDA	8	2500	TBD	Call TI	Call TI	0 to 125	LP2995	
LP2995MRX/NOPB	ACTIVE	SO PowerPAD	DDA	8	2500	Green (RoHS & no Sb/Br)	CU SN	Level-3-260C-168 HR	0 to 125	LP2995	<a href="#">Samples</a>
LP2995MX/NOPB	ACTIVE	SOIC	D	8	2500	Green (RoHS & no Sb/Br)	CU SN	Level-1-260C-UNLIM	0 to 125	2995M	<a href="#">Samples</a>

(1) The marketing status values are defined as follows:

**ACTIVE:** Product device recommended for new designs.

**LIFEBUY:** TI has announced that the device will be discontinued, and a lifetime-buy period is in effect.

**NRND:** Not recommended for new designs. Device is in production to support existing customers, but TI does not recommend using this part in a new design.

**PREVIEW:** Device has been announced but is not in production. Samples may or may not be available.

**OBSOLETE:** TI has discontinued the production of the device.

(2) Eco Plan - The planned eco-friendly classification: Pb-Free (RoHS), Pb-Free (RoHS Exempt), or Green (RoHS & no Sb/Br) - please check <http://www.ti.com/productcontent> for the latest availability information and additional product content details.

**TBD:** The Pb-Free/Green conversion plan has not been defined.

**Pb-Free (RoHS):** TI's terms "Lead-Free" or "Pb-Free" mean semiconductor products that are compatible with the current RoHS requirements for all 6 substances, including the requirement that lead not exceed 0.1% by weight in homogeneous materials. Where designed to be soldered at high temperatures, TI Pb-Free products are suitable for use in specified lead-free processes.

**Pb-Free (RoHS Exempt):** This component has a RoHS exemption for either 1) lead-based flip-chip solder bumps used between the die and package, or 2) lead-based die adhesive used between the die and leadframe. The component is otherwise considered Pb-Free (RoHS compatible) as defined above.

**Green (RoHS & no Sb/Br):** TI defines "Green" to mean Pb-Free (RoHS compatible), and free of Bromine (Br) and Antimony (Sb) based flame retardants (Br or Sb do not exceed 0.1% by weight in homogeneous material)

(3) MSL, Peak Temp. - The Moisture Sensitivity Level rating according to the JEDEC industry standard classifications, and peak solder temperature.

(4) There may be additional marking, which relates to the logo, the lot trace code information, or the environmental category on the device.

<sup>(5)</sup> Multiple Device Markings will be inside parentheses. Only one Device Marking contained in parentheses and separated by a "-" will appear on a device. If a line is indented then it is a continuation of the previous line and the two combined represent the entire Device Marking for that device.

<sup>(6)</sup> Lead/Ball Finish - Orderable Devices may have multiple material finish options. Finish options are separated by a vertical ruled line. Lead/Ball Finish values may wrap to two lines if the finish value exceeds the maximum column width.

**Important Information and Disclaimer:**The information provided on this page represents TI's knowledge and belief as of the date that it is provided. TI bases its knowledge and belief on information provided by third parties, and makes no representation or warranty as to the accuracy of such information. Efforts are underway to better integrate information from third parties. TI has taken and continues to take reasonable steps to provide representative and accurate information but may not have conducted destructive testing or chemical analysis on incoming materials and chemicals. TI and TI suppliers consider certain information to be proprietary, and thus CAS numbers and other limited information may not be available for release.

In no event shall TI's liability arising out of such information exceed the total purchase price of the TI part(s) at issue in this document sold by TI to Customer on an annual basis.

**TAPE AND REEL INFORMATION**

**QUADRANT ASSIGNMENTS FOR PIN 1 ORIENTATION IN TAPE**


\*All dimensions are nominal

Device	Package Type	Package Drawing	Pins	SPQ	Reel Diameter (mm)	Reel Width W1 (mm)	A0 (mm)	B0 (mm)	K0 (mm)	P1 (mm)	W (mm)	Pin1 Quadrant
LP2995LQ/NOPB	WQFN	NHP	16	1000	178.0	12.4	4.3	4.3	1.3	8.0	12.0	Q1
LP2995MRX	SO Power PAD	DDA	8	2500	330.0	12.4	6.5	5.4	2.0	8.0	12.0	Q1
LP2995MRX/NOPB	SO Power PAD	DDA	8	2500	330.0	12.4	6.5	5.4	2.0	8.0	12.0	Q1
LP2995MX/NOPB	SOIC	D	8	2500	330.0	12.4	6.5	5.4	2.0	8.0	12.0	Q1

**TAPE AND REEL BOX DIMENSIONS**


\*All dimensions are nominal

Device	Package Type	Package Drawing	Pins	SPQ	Length (mm)	Width (mm)	Height (mm)
LP2995LQ/NOPB	WQFN	NHP	16	1000	213.0	191.0	55.0
LP2995MRX	SO PowerPAD	DDA	8	2500	367.0	367.0	35.0
LP2995MRX/NOPB	SO PowerPAD	DDA	8	2500	367.0	367.0	35.0
LP2995MX/NOPB	SOIC	D	8	2500	367.0	367.0	35.0

DDA (R-PDSO-G8)

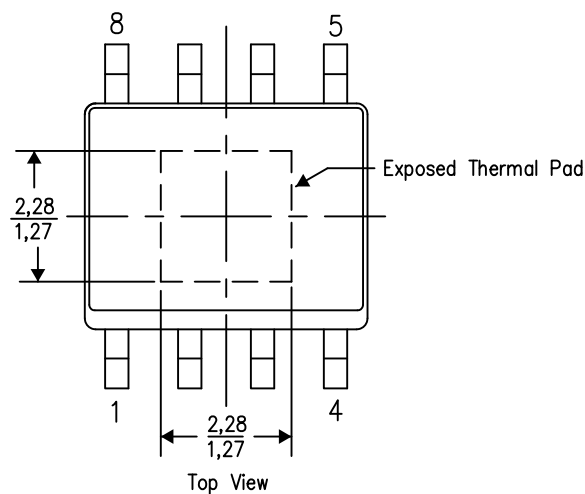
PowerPAD™ PLASTIC SMALL OUTLINE

## THERMAL INFORMATION

This PowerPAD™ package incorporates an exposed thermal pad that is designed to be attached to a printed circuit board (PCB). The thermal pad must be soldered directly to the PCB. After soldering, the PCB can be used as a heatsink. In addition, through the use of thermal vias, the thermal pad can be attached directly to the appropriate copper plane shown in the electrical schematic for the device, or alternatively, can be attached to a special heatsink structure designed into the PCB. This design optimizes the heat transfer from the integrated circuit (IC).

For additional information on the PowerPAD package and how to take advantage of its heat dissipating abilities, refer to Technical Brief, PowerPAD Thermally Enhanced Package, Texas Instruments Literature No. SLMA002 and Application Brief, PowerPAD Made Easy, Texas Instruments Literature No. SLMA004. Both documents are available at [www.ti.com](http://www.ti.com).

The exposed thermal pad dimensions for this package are shown in the following illustration.

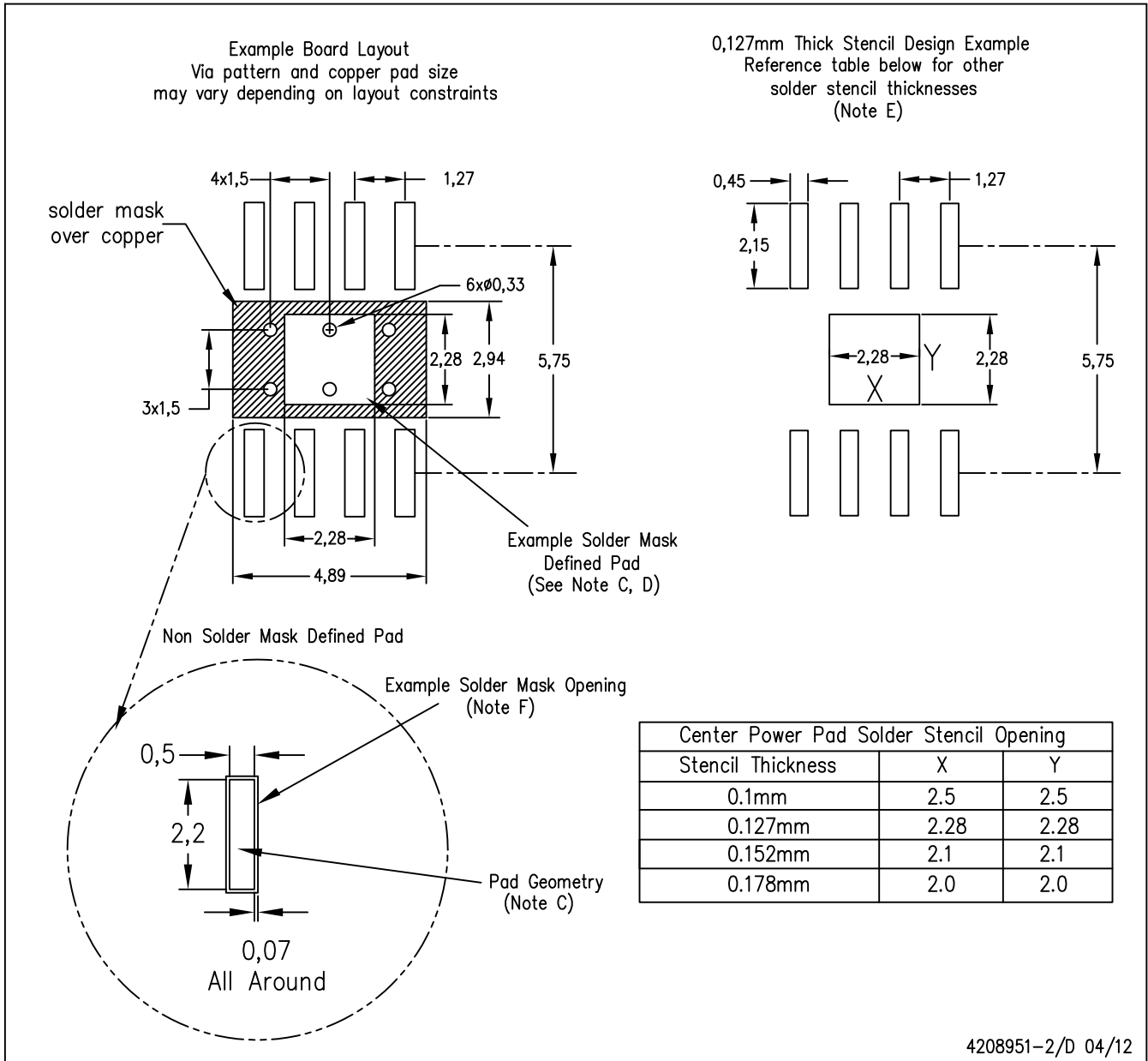


Exposed Thermal Pad Dimensions

4206322-2/L 05/12

NOTE: A. All linear dimensions are in millimeters

PowerPAD is a trademark of Texas Instruments

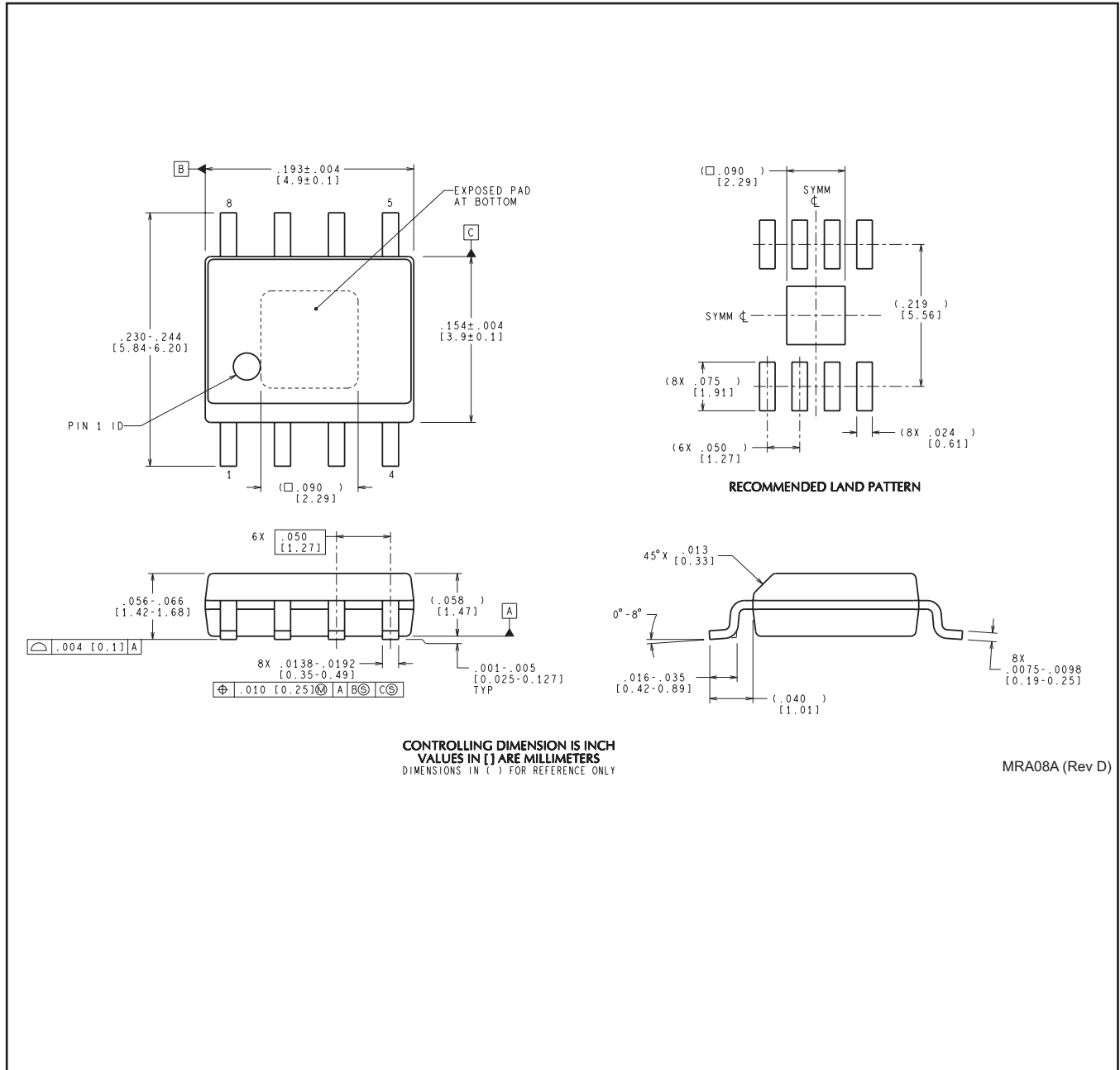


4208951-2/D 04/12

- NOTES:
- A. All linear dimensions are in millimeters.
  - B. This drawing is subject to change without notice.
  - C. Publication IPC-7351 is recommended for alternate designs.
  - D. This package is designed to be soldered to a thermal pad on the board. Refer to Technical Brief, PowerPAD Thermally Enhanced Package, Texas Instruments Literature No. SLMA002, SLMA004, and also the Product Data Sheets for specific thermal information, via requirements, and recommended board layout. These documents are available at [www.ti.com](http://www.ti.com) <<http://www.ti.com>>. Publication IPC-7351 is recommended for alternate designs.
  - E. Laser cutting apertures with trapezoidal walls and also rounding corners will offer better paste release. Customers should contact their board assembly site for stencil design recommendations. Example stencil design based on a 50% volumetric metal load solder paste. Refer to IPC-7525 for other stencil recommendations.
  - F. Customers should contact their board fabrication site for solder mask tolerances between and around signal pads.

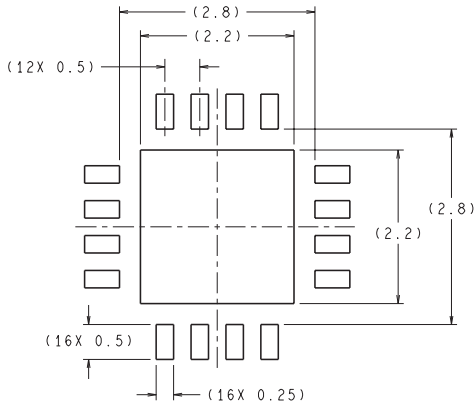
PowerPAD is a trademark of Texas Instruments.

DDA0008A



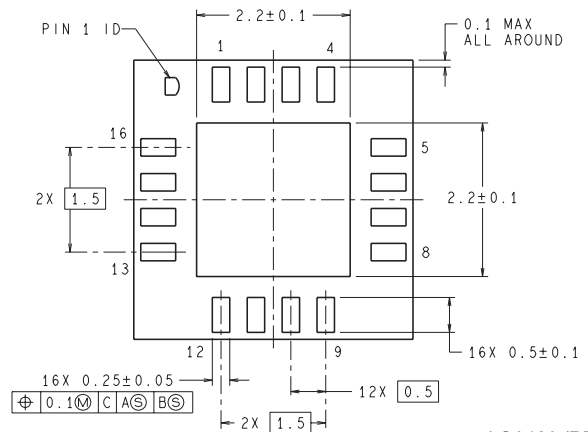
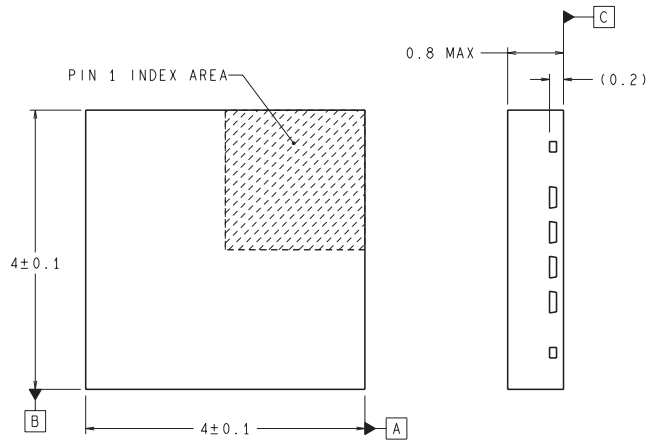
MRA08A (Rev D)

NHP0016A



**RECOMMENDED LAND PATTERN**  
1:1 RATION WITH PKG SOLDER PADS

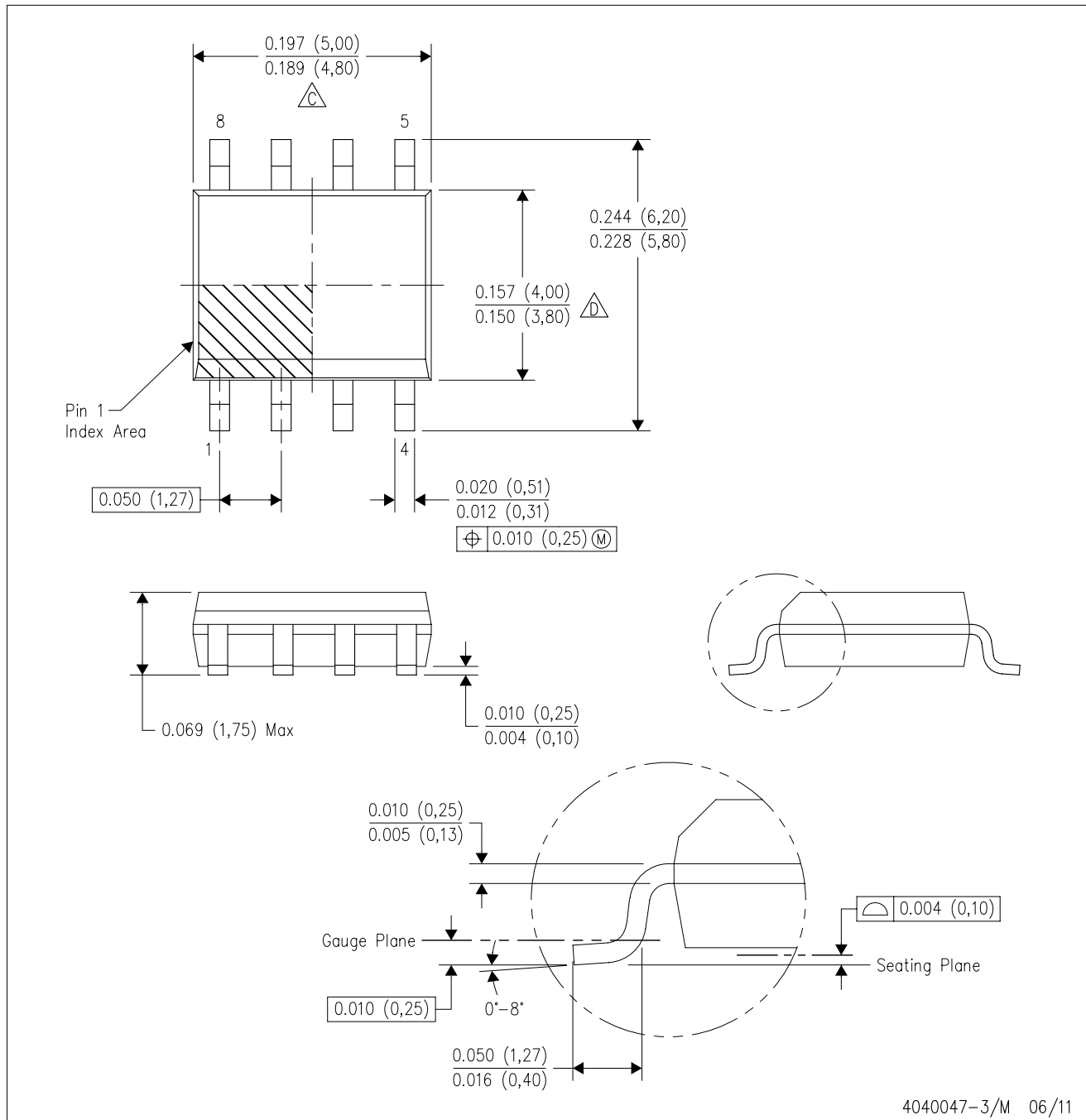
DIMENSIONS ARE IN MILLIMETERS



LQA16A (REV A)

D (R-PDSO-G8)

PLASTIC SMALL OUTLINE



4040047-3/M 06/11

- NOTES:
- A. All linear dimensions are in inches (millimeters).
  - B. This drawing is subject to change without notice.
  - Body length does not include mold flash, protrusions, or gate burrs. Mold flash, protrusions, or gate burrs shall not exceed 0.006 (0,15) each side.
  - Body width does not include interlead flash. Interlead flash shall not exceed 0.017 (0,43) each side.
  - E. Reference JEDEC MS-012 variation AA.

## IMPORTANT NOTICE

Texas Instruments Incorporated and its subsidiaries (TI) reserve the right to make corrections, enhancements, improvements and other changes to its semiconductor products and services per JESD46, latest issue, and to discontinue any product or service per JESD48, latest issue. Buyers should obtain the latest relevant information before placing orders and should verify that such information is current and complete. All semiconductor products (also referred to herein as "components") are sold subject to TI's terms and conditions of sale supplied at the time of order acknowledgment.

TI warrants performance of its components to the specifications applicable at the time of sale, in accordance with the warranty in TI's terms and conditions of sale of semiconductor products. Testing and other quality control techniques are used to the extent TI deems necessary to support this warranty. Except where mandated by applicable law, testing of all parameters of each component is not necessarily performed.

TI assumes no liability for applications assistance or the design of Buyers' products. Buyers are responsible for their products and applications using TI components. To minimize the risks associated with Buyers' products and applications, Buyers should provide adequate design and operating safeguards.

TI does not warrant or represent that any license, either express or implied, is granted under any patent right, copyright, mask work right, or other intellectual property right relating to any combination, machine, or process in which TI components or services are used. Information published by TI regarding third-party products or services does not constitute a license to use such products or services or a warranty or endorsement thereof. Use of such information may require a license from a third party under the patents or other intellectual property of the third party, or a license from TI under the patents or other intellectual property of TI.

Reproduction of significant portions of TI information in TI data books or data sheets is permissible only if reproduction is without alteration and is accompanied by all associated warranties, conditions, limitations, and notices. TI is not responsible or liable for such altered documentation. Information of third parties may be subject to additional restrictions.

Resale of TI components or services with statements different from or beyond the parameters stated by TI for that component or service voids all express and any implied warranties for the associated TI component or service and is an unfair and deceptive business practice. TI is not responsible or liable for any such statements.

Buyer acknowledges and agrees that it is solely responsible for compliance with all legal, regulatory and safety-related requirements concerning its products, and any use of TI components in its applications, notwithstanding any applications-related information or support that may be provided by TI. Buyer represents and agrees that it has all the necessary expertise to create and implement safeguards which anticipate dangerous consequences of failures, monitor failures and their consequences, lessen the likelihood of failures that might cause harm and take appropriate remedial actions. Buyer will fully indemnify TI and its representatives against any damages arising out of the use of any TI components in safety-critical applications.

In some cases, TI components may be promoted specifically to facilitate safety-related applications. With such components, TI's goal is to help enable customers to design and create their own end-product solutions that meet applicable functional safety standards and requirements. Nonetheless, such components are subject to these terms.

No TI components are authorized for use in FDA Class III (or similar life-critical medical equipment) unless authorized officers of the parties have executed a special agreement specifically governing such use.

Only those TI components which TI has specifically designated as military grade or "enhanced plastic" are designed and intended for use in military/aerospace applications or environments. Buyer acknowledges and agrees that any military or aerospace use of TI components which have **not** been so designated is solely at the Buyer's risk, and that Buyer is solely responsible for compliance with all legal and regulatory requirements in connection with such use.

TI has specifically designated certain components as meeting ISO/TS16949 requirements, mainly for automotive use. In any case of use of non-designated products, TI will not be responsible for any failure to meet ISO/TS16949.

### Products

Audio	<a href="http://www.ti.com/audio">www.ti.com/audio</a>
Amplifiers	<a href="http://amplifier.ti.com">amplifier.ti.com</a>
Data Converters	<a href="http://dataconverter.ti.com">dataconverter.ti.com</a>
DLP® Products	<a href="http://www.dlp.com">www.dlp.com</a>
DSP	<a href="http://dsp.ti.com">dsp.ti.com</a>
Clocks and Timers	<a href="http://www.ti.com/clocks">www.ti.com/clocks</a>
Interface	<a href="http://interface.ti.com">interface.ti.com</a>
Logic	<a href="http://logic.ti.com">logic.ti.com</a>
Power Mgmt	<a href="http://power.ti.com">power.ti.com</a>
Microcontrollers	<a href="http://microcontroller.ti.com">microcontroller.ti.com</a>
RFID	<a href="http://www.ti-rfid.com">www.ti-rfid.com</a>
OMAP Applications Processors	<a href="http://www.ti.com/omap">www.ti.com/omap</a>
Wireless Connectivity	<a href="http://www.ti.com/wirelessconnectivity">www.ti.com/wirelessconnectivity</a>

### Applications

Automotive and Transportation	<a href="http://www.ti.com/automotive">www.ti.com/automotive</a>
Communications and Telecom	<a href="http://www.ti.com/communications">www.ti.com/communications</a>
Computers and Peripherals	<a href="http://www.ti.com/computers">www.ti.com/computers</a>
Consumer Electronics	<a href="http://www.ti.com/consumer-apps">www.ti.com/consumer-apps</a>
Energy and Lighting	<a href="http://www.ti.com/energy">www.ti.com/energy</a>
Industrial	<a href="http://www.ti.com/industrial">www.ti.com/industrial</a>
Medical	<a href="http://www.ti.com/medical">www.ti.com/medical</a>
Security	<a href="http://www.ti.com/security">www.ti.com/security</a>
Space, Avionics and Defense	<a href="http://www.ti.com/space-avionics-defense">www.ti.com/space-avionics-defense</a>
Video and Imaging	<a href="http://www.ti.com/video">www.ti.com/video</a>

### TI E2E Community

[e2e.ti.com](http://e2e.ti.com)