

LP2950-N/LP2951-N Series of Adjustable Micropower Voltage Regulators

 Check for Samples: [LP2950-N](#), [LP2951-N](#)

FEATURES

- 5V, 3V, and 3.3V Versions Available
- High Accuracy Output Voltage
- Ensured 100 mA Output Current
- Extremely Low Quiescent Current
- Low Dropout Voltage
- Extremely Tight Load and Line Regulation
- Very Low Temperature Coefficient
- Use as Regulator or Reference
- Needs Minimum Capacitance for Stability
- Current and Thermal Limiting
- Stable With Low-ESR Output Capacitors (10 mΩ to 6Ω)

LP2951-N VERSIONS ONLY

- Error Flag Warns of Output Dropout
- Logic-Controlled Electronic Shutdown
- Output Programmable From 1.24 to 29V

DESCRIPTION

The LP2950-N and LP2951-N are micropower voltage regulators with very low quiescent current (75 μ A typ.) and very low dropout voltage (typ. 40 mV at light loads and 380 mV at 100 mA). They are ideally suited for use in battery-powered systems. Furthermore, the quiescent current of the LP2950-N/LP2951-N increases only slightly in dropout, prolonging battery life.

The LP2950-N-5.0 is available in the surface-mount PFM package, and in the popular 3-pin TO-92 package for pin-compatibility with older 5V regulators. The 8-lead LP2951-N is available in plastic, ceramic dual-in-line, WSON, or metal can packages and offers additional system functions.

One such feature is an error flag output which warns of a low output voltage, often due to falling batteries on the input. It may be used for a power-on reset. A second feature is the logic-compatible shutdown input which enables the regulator to be switched on and off. Also, the part may be pin-strapped for a 5V, 3V, or 3.3V output (depending on the version), or programmed from 1.24V to 29V with an external pair of resistors.

Careful design of the LP2950-N/LP2951-N has minimized all contributions to the error budget. This includes a tight initial tolerance (.5% typ.), extremely good load and line regulation (.05% typ.) and a very low output voltage temperature coefficient, making the part useful as a low-power voltage reference.

Block Diagram and Typical Applications

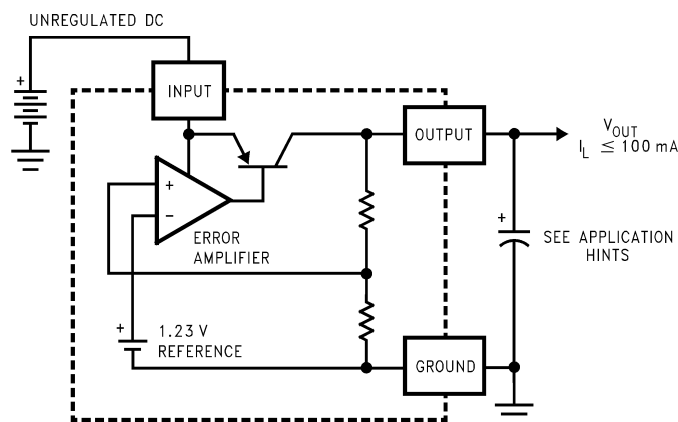


Figure 1. LP2950-N



Please be aware that an important notice concerning availability, standard warranty, and use in critical applications of Texas Instruments semiconductor products and disclaimers thereto appears at the end of this data sheet.

All trademarks are the property of their respective owners.

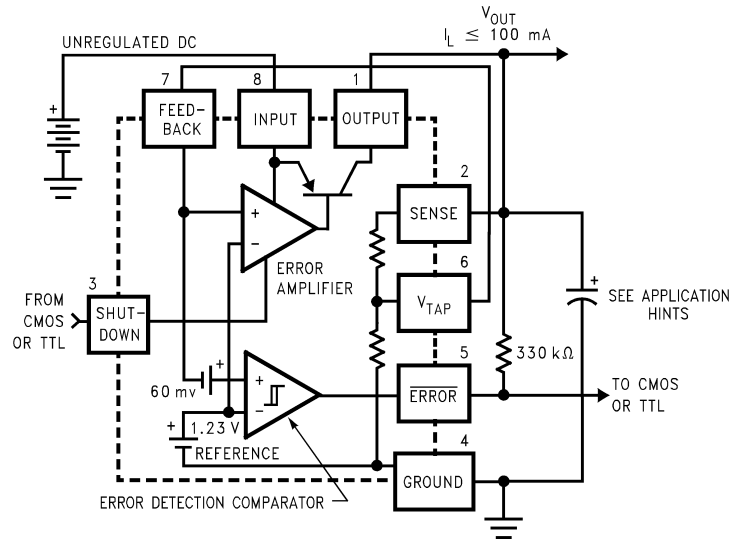


Figure 2. LP2951-N

Connection Diagrams

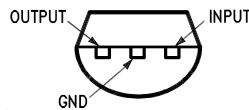


Figure 3. TO-92 Plastic Package (LP) Bottom View

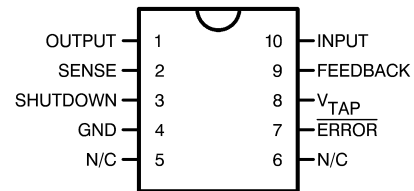


Figure 6. 10-Lead Ceramic Surface-Mount Package (NAC) Top View

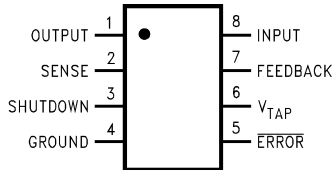


Figure 4. Dual-In-Line Packages (P, NAB) Surface-Mount Package (D, DGK) Top View

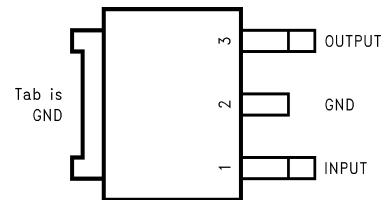


Figure 7. PFM (NDP) Front View

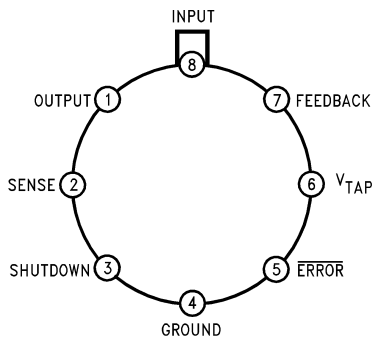
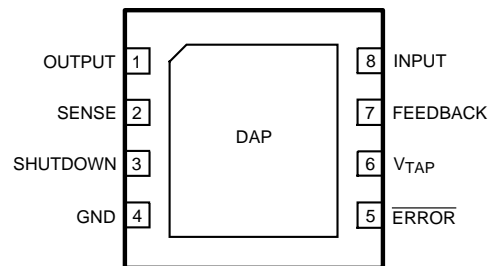


Figure 5. Metal Can Package (LMC) Top View



Connect DAP to GND at device pin 4.

Figure 8. 8-Lead WSON (NGT) Top View



These devices have limited built-in ESD protection. The leads should be shorted together or the device placed in conductive foam during storage or handling to prevent electrostatic damage to the MOS gates.

ABSOLUTE MAXIMUM RATINGS⁽¹⁾⁽²⁾

| | | |
|--|---------------------------------|--------------------|
| Input Supply Voltage - SHUTDOWN Input Voltage Error Comparator Output Voltage ⁽³⁾ | | -0.3 to +30V |
| FEEDBACK Input Voltage ⁽³⁾⁽⁴⁾ | | -1.5 to +30V |
| Power Dissipation | | Internally Limited |
| Junction Temperature (T _J) | | +150°C |
| Ambient Storage Temperature | | -65° to +150°C |
| Soldering Dwell Time, Temperature | Wave | 4 seconds, 260°C |
| | Infrared | 10 seconds, 240°C |
| | Vapor Phase | 75 seconds, 219°C |
| ESD Rating | Human Body Model ⁽⁵⁾ | 2500V |

- (1) Absolute Maximum Ratings are limits beyond which damage to the device may occur. Operating Ratings are conditions under which operation of the device is specified. Operating Ratings do not imply ensured performance limits. For ensured performance limits and associated test conditions, see the Electrical Characteristics tables.
- (2) If Military/Aerospace specified devices are required, please contact the Texas Instruments Sales Office/Distributors for availability and specifications.
- (3) May exceed input supply voltage.
- (4) When used in dual-supply systems where the output terminal sees loads returned to a negative supply, the output voltage should be diode-clamped to ground.
- (5) Human Body Model (HBM) is 1.5 kΩ in series with 100 pF; LP2950-N passes 2.5 kV (HBM) ESD; LP2951-N passes 2.5 kV (HBM) except: Feedback pin passes 1kV (HBM) and Shutdown pin passes 2kV (HBM).

OPERATING RATINGS⁽¹⁾

| | | |
|---|-------------------------|----------------|
| Maximum Input Supply Voltage | | 30V |
| Junction Temperature Range (T _J) ⁽²⁾ | LP2950AC-XX, LP2950C-XX | -40° to +125°C |
| | LP2951 | -55° to +150°C |
| | LP2951AC-XX, LP2951C-XX | -40° to +125°C |

- (1) Absolute Maximum Ratings are limits beyond which damage to the device may occur. Operating Ratings are conditions under which operation of the device is specified. Operating Ratings do not imply ensured performance limits. For ensured performance limits and associated test conditions, see the Electrical Characteristics tables.
- (2) The junction-to-ambient thermal resistances are as follows: 180°C/W and 160°C/W for the TO-92 package with 0.40 inch and 0.25 inch leads to the printed circuit board (PCB) respectively, 105°C/W for the molded PDIP (P), 130°C/W for the ceramic DIP (NAB), 160°C/W for the molded plastic SOIC (D), 200°C/W for the molded plastic VSSOP (DGK), and 160°C/W for the metal can package (LMC). The above thermal resistances for the P, NAB, D, and DGK packages apply when the package is soldered directly to the PCB. Junction-to-case thermal resistance for the LMC package is 20°C/W. Junction-to-case thermal resistance for the PFM package is 5.4°C/W. The value of θ_{JA} for the WSON package is typically 51°C/W but is dependent on the PCB trace area, trace material, and the number of layers and thermal vias. For details of thermal resistance and power dissipation for the WSON package, refer to Application Note AN-1187 (literature number [SNOA401](#)).

ELECTRICAL CHARACTERISTICS⁽¹⁾

| Parameter | Conditions ⁽¹⁾ | LP2951 | | LP2950AC-XX LP2951AC-XX | | | LP2950C-XX LP2951C-XX | | | Units |
|--|--|-----------|--------------------------------|----------------------------|-----------------------------|-----------------------------|--------------------------|-----------------------------|-----------------------------|-----------------------|
| | | Typ | Tested Limit ⁽²⁾⁽³⁾ | Typ | Tested Limit ⁽²⁾ | Design Limit ⁽⁴⁾ | Typ | Tested Limit ⁽²⁾ | Design Limit ⁽⁴⁾ | |
| 3V Versions⁽⁵⁾ | | | | | | | | | | |
| Output Voltage | $T_J = 25^\circ\text{C}$ | 3.0 | 3.015 | 3.0 | 3.015 | | 3.0 | 3.030 | | V max |
| | | | 2.985 | | 2.985 | | | 2.970 | | V min |
| | $-25^\circ\text{C} \leq T_J \leq 85^\circ\text{C}$ | 3.0 | | 3.0 | | 3.030 | 3.0 | | 3.045 | V max |
| | | | | | | 2.970 | | | 2.955 | V min |
| Full Operating Temperature Range | | 3.0 | 3.036 | 3.0 | | 3.036 | 3.0 | | 3.060 | V max |
| | | | 2.964 | | | 2.964 | | | 2.940 | V min |
| Output Voltage | $100 \mu\text{A} \leq I_L \leq 100 \text{ mA}$ $T_J \leq T_{J\text{MAX}}$ | 3.0 | 3.045 | 3.0 | | 3.042 | 3.0 | | 3.072 | V max |
| | | | 2.955 | | | 2.958 | | | 2.928 | V min |
| 3.3V Versions⁽⁵⁾ | | | | | | | | | | |
| Output Voltage | $T_J = 25^\circ\text{C}$ | 3.3 | 3.317 | 3.3 | 3.317 | | 3.3 | 3.333 | | V max |
| | | | 3.284 | | 3.284 | | | 3.267 | | V min |
| | $-25^\circ\text{C} \leq T_J \leq 85^\circ\text{C}$ | 3.3 | | 3.3 | | 3.333 | 3.3 | | 3.350 | V max |
| | | | | | | 3.267 | | | 3.251 | V min |
| Full Operating Temperature Range | | 3.3 | 3.340 | 3.3 | | 3.340 | 3.3 | | 3.366 | V max |
| | | | 3.260 | | | 3.260 | | | 3.234 | V min |
| Output Voltage | $100 \mu\text{A} \leq I_L \leq 100 \text{ mA}$ $T_J \leq T_{J\text{MAX}}$ | 3.3 | 3.350 | 3.3 | | 3.346 | 3.3 | | 3.379 | V max |
| | | | 3.251 | | | 3.254 | | | 3.221 | V min |
| 5V Versions⁽⁵⁾ | | | | | | | | | | |
| Output Voltage | $T_J = 25^\circ\text{C}$ | 5.0 | 5.025 | 5.0 | 5.025 | | 5.0 | 5.05 | | V max |
| | | | 4.975 | | 4.975 | | | 4.95 | | V min |
| | $-25^\circ\text{C} \leq T_J \leq 85^\circ\text{C}$ | 5.0 | | 5.0 | | 5.05 | 5.0 | | 5.075 | V max |
| | | | | | | 4.95 | | | 4.925 | V min |
| Full Operating Temperature Range | | 5.0 | 5.06 | 5.0 | | 5.06 | 5.0 | | 5.1 | V max |
| | | | 4.94 | | | 4.94 | | | 4.9 | V min |
| Output Voltage | $100 \mu\text{A} \leq I_L \leq 100 \text{ mA}$ $T_J \leq T_{J\text{MAX}}$ | 5.0 | 5.075 | 5.0 | | 5.075 | 5.0 | | 5.12 | V max |
| | | | 4.925 | | | 4.925 | | | 4.88 | V min |
| All Voltage Options | | | | | | | | | | |
| Output Voltage Temperature Coefficient | See ⁽⁶⁾ | 20 | 120 | 20 | | 100 | 50 | | 150 | ppm/ $^\circ\text{C}$ |
| Line Regulation ⁽⁷⁾ | $(V_{\text{ONOM}} + 1)V \leq V_{\text{in}} \leq 30V$ ⁽⁸⁾ | 0.03 | 0.1 | 0.03 | 0.1 | | 0.04 | 0.2 | | % max |
| | | | 0.5 | | | 0.2 | | | 0.4 | % max |

- (1) Unless otherwise noted, all limits specified for $V_{\text{IN}} = (V_{\text{ONOM}} + 1)V$, $I_L = 100 \mu\text{A}$ and $C_L = 1 \mu\text{F}$ for 5V versions and $2.2 \mu\text{F}$ for 3V and 3.3V versions. Limits appearing in **boldface** type apply over the entire junction temperature range for operation. Limits appearing in normal type apply for $T_A = T_J = 25^\circ\text{C}$. Additional conditions for the 8-pin versions are FEEDBACK tied to V_{TAP} , OUTPUT tied to SENSE, and $V_{\text{SHUTDOWN}} \leq 0.8V$.
- (2) Ensured and 100% production tested.
- (3) A Military RETS specification is available on request. At time of printing, the LP2951-N RETS specification complied with the boldface limits in this column. The LP2951-N LMC, NAC, or NAB may also be procured as Standard Military Drawing Spec #5962-3870501MGA, MXA, or MPA.
- (4) Ensured but not 100% production tested. These limits are not used to calculate outgoing AQL levels.
- (5) All LP2950 devices have the nominal output voltage coded as the last two digits of the part number. In the LP2951 products, the 3.0V and 3.3V versions are designated by the last two digits, but the 5V version is denoted with no code at this location of the part number (refer to ordering information table).
- (6) Output or reference voltage temperature coefficient is defined as the worst case voltage change divided by the total temperature range.
- (7) Regulation is measured at constant junction temperature, using pulse testing with a low duty cycle. Changes in output voltage due to heating effects are covered under the specification for thermal regulation.
- (8) Line regulation for the LP2951-N is tested at 150°C for $I_L = 1 \text{ mA}$. For $I_L = 100 \mu\text{A}$ and $T_J = 125^\circ\text{C}$, line regulation is specified by design to 0.2%. See **TYPICAL PERFORMANCE CHARACTERISTICS** for line regulation versus temperature and load current.

ELECTRICAL CHARACTERISTICS⁽¹⁾ (continued)

| Parameter | Conditions ⁽¹⁾ | LP2951 | | LP2950AC-XX LP2951AC-XX | | | LP2950C-XX LP2951C-XX | | | Units |
|---|---|---------------|--------------------------------|----------------------------|-----------------------------|-----------------------------|--------------------------|-----------------------------|-----------------------------|-------------------|
| | | Typ | Tested Limit ⁽²⁾⁽³⁾ | Typ | Tested Limit ⁽²⁾ | Design Limit ⁽⁴⁾ | Typ | Tested Limit ⁽²⁾ | Design Limit ⁽⁴⁾ | |
| Load Regulation ⁽⁷⁾ | $100\ \mu\text{A} \leq I_L \leq 100\ \text{mA}$ | 0.04 | 0.1 | 0.04 | 0.1 | | 0.1 | 0.2 | | % max |
| | | | 0.3 | | | 0.2 | | | 0.3 | % max |
| Dropout Voltage ⁽⁹⁾ | $I_L = 100\ \mu\text{A}$ | | 80 | | 80 | | | 80 | | mV max |
| | | 50 | 150 | 50 | | 150 | 50 | | 150 | mV max |
| | $I_L = 100\ \text{mA}$ | | 450 | | 450 | | | 450 | | mV max |
| | | 380 | 600 | 380 | | 600 | 380 | | 600 | mV max |
| Ground Current | $I_L = 100\ \mu\text{A}$ | 75 | 120 | 75 | 120 | | 75 | 120 | | μA max |
| | | | 140 | | | 140 | | | 140 | μA max |
| | $I_L = 100\ \text{mA}$ | 8 | 12 | 8 | 12 | | 8 | 12 | | mA max |
| | | | 14 | | | | | 14 | | mA max |
| Dropout Ground Current | $V_{in} = (V_{ONOM} - 0.5)\text{V}$ $I_L = 100\ \mu\text{A}$ | 110 | 170 | 110 | 170 | | 110 | 170 | | μA max |
| | | | 200 | | | 200 | | | 200 | μA max |
| Current Limit | $V_{out} = 0$ | 160 | 200 | 160 | 200 | | 160 | 200 | | mA max |
| | | | 220 | | | 220 | | | 220 | mA max |
| Thermal Regulation | See ⁽¹⁰⁾ | 0.05 | 0.2 | 0.05 | 0.2 | | 0.05 | 0.2 | | %/W max |
| Output Noise, 10 Hz to 100 kHz | $C_L = 1\ \mu\text{F}$ (5V Only) | 430 | | 430 | | | 430 | | | μV rms |
| | $C_L = 200\ \mu\text{F}$ | 160 | | 160 | | | 160 | | | μV rms |
| | $C_L = 3.3\ \mu\text{F}$ (Bypass = 0.01 μF Pins 7 to 1 (LP2951-N)) | 100 | | 100 | | | 100 | | | μV rms |
| 8-pin Versions Only | | LP2951 | | LP2951AC-XX | | | LP2951C-XX | | | |
| Reference Voltage | | 1.23 | 1.25 | 1.23 | 1.25 | | 1.23 | 1.26 | | V max |
| | | 5 | | 5 | | | 5 | | | |
| | | | 1.26 | | | 1.26 | | | 1.27 | V max |
| | | | 1.22 | | 1.22 | | | 1.21 | | V min |
| | | 1.2 | | | 1.2 | | | 1.2 | V min | |
| Reference Voltage | See ⁽¹¹⁾ | | 1.27 | | | 1.27 | | | 1.285 | V max |
| | | | 1.19 | | | 1.19 | | | 1.185 | V min |
| Feedback Pin Bias Current | | 20 | 40 | 20 | 40 | | 20 | 40 | | nA max |
| | | | 60 | | | 60 | | | 60 | nA max |
| Reference Voltage Temperature Coefficient | See ⁽¹²⁾ | 20 | | 20 | | | 50 | | | ppm/°C |
| Feedback Pin Bias Current Temperature Coefficient | | 0.1 | | 0.1 | | | 0.1 | | | nA/°C |

(9) Dropout Voltage is defined as the input to output differential at which the output voltage drops 100 mV below its nominal value measured at 1V differential. At very low values of programmed output voltage, the minimum input supply voltage of 2V (2.3V over temperature) must be taken into account.

(10) Thermal regulation is defined as the change in output voltage at a time T after a change in power dissipation is applied, excluding load or line regulation effects. Specifications are for a 50 mA load pulse at $V_{IN} = 30\text{V}$ (1.25W pulse) for $T = 10\text{ms}$.

(11) $V_{REF} \leq V_{OUT} \leq (V_{IN} - 1\text{V})$, $2.3\text{V} \leq V_{IN} \leq 30\text{V}$, $100\ \mu\text{A} \leq I_L \leq 100\ \text{mA}$, $T_J \leq T_{JMAX}$.

(12) Output or reference voltage temperature coefficient is defined as the worst case voltage change divided by the total temperature range.

ELECTRICAL CHARACTERISTICS⁽¹⁾ (continued)

| Parameter | Conditions ⁽¹⁾ | LP2951 | | LP2950AC-XX LP2951AC-XX | | | LP2950C-XX LP2951C-XX | | | Units |
|--------------------------------------|---|--------|--------------------------------|----------------------------|-----------------------------|-----------------------------|--------------------------|-----------------------------|-----------------------------|-------------|
| | | Typ | Tested Limit ⁽²⁾⁽³⁾ | Typ | Tested Limit ⁽²⁾ | Design Limit ⁽⁴⁾ | Typ | Tested Limit ⁽²⁾ | Design Limit ⁽⁴⁾ | |
| Error Comparator | | | | | | | | | | |
| Output Leakage Current | $V_{OH} = 30V$ | 0.01 | 1 | 0.01 | 1 | | 0.01 | 1 | | μA max |
| | | | 2 | | | 2 | | | 2 | μA max |
| Output Low Voltage | $V_{in} = (V_{ONOM} - 0.5)V$ $I_{OL} = 400\mu A$ | 150 | 250 | 150 | 250 | | 150 | 250 | | mV max |
| | | | 400 | | | 400 | | | 400 | mV max |
| Upper Threshold Voltage | See ⁽¹³⁾ | 60 | 40 | 60 | 40 | | 60 | 40 | | mV min |
| | | | 25 | | | 25 | | | 25 | mV min |
| Lower Threshold Voltage | See ⁽¹³⁾ | 75 | 95 | 75 | 95 | | 75 | 95 | | mV max |
| | | | 140 | | | 140 | | | 140 | mV max |
| Hysteresis | See ⁽¹³⁾ | 15 | | 15 | | | 15 | | | mV |
| Shutdown Input | | | | | | | | | | |
| Input | | 1.3 | | 1.3 | | | 1.3 | | | V |
| Logic | Low (Regulator ON) | | 0.6 | | | 0.7 | | | 0.7 | V max |
| Voltage | High (Regulator OFF) | | 2.0 | | | 2.0 | | | 2.0 | V min |
| Shutdown Pin Input Current | $V_{shutdown} = 2.4V$ | 30 | 50 | 30 | 50 | | 30 | 50 | | μA max |
| | | | 100 | | | 100 | | | 100 | μA max |
| | $V_{shutdown} = 30V$ | 450 | 600 | 450 | 600 | | 450 | 600 | | μA max |
| | | | 750 | | | 750 | | | 750 | μA max |
| Regulator Output Current in Shutdown | See ⁽¹⁴⁾ | 3 | 10 | 3 | 10 | | 3 | 10 | | μA max |
| | | | 20 | | | 20 | | | 20 | μA max |

(13) Comparator thresholds are expressed in terms of a voltage differential at the Feedback terminal below the nominal reference voltage measured at $V_{in} = (V_{ONOM} + 1)V$. To express these thresholds in terms of output voltage change, multiply by the error amplifier gain = $V_{OUT}/V_{REF} = (R1 + R2)/R2$. For example, at a programmed output voltage of 5V, the Error output is specified to go low when the output drops by $95\text{ mV} \times 5V/1.235V = 384\text{ mV}$. Thresholds remain constant as a percent of V_{out} as V_{out} is varied, with the dropout warning occurring at typically 5% below nominal, 7.5% ensured.

(14) $V_{SHUTDOWN} \geq 2V$, $V_{IN} \leq 30V$, $V_{OUT} = 0$, Feedback pin tied to V_{TAP} .

TYPICAL PERFORMANCE CHARACTERISTICS

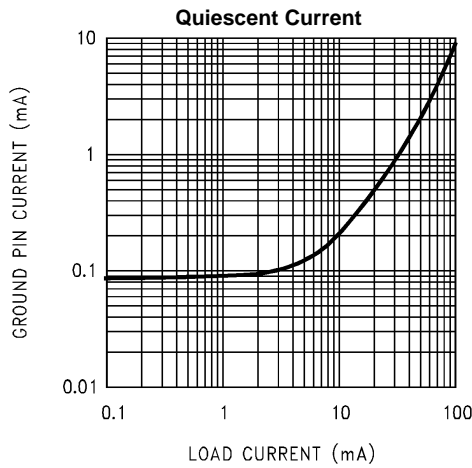


Figure 9.

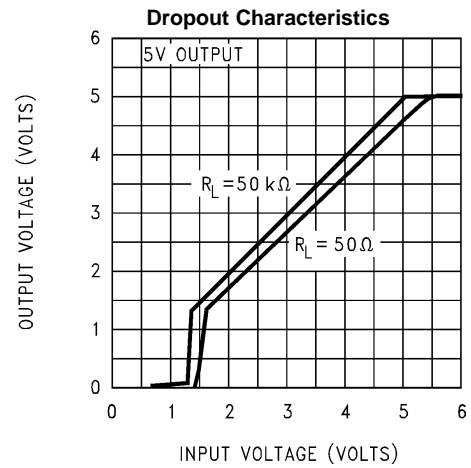


Figure 10.

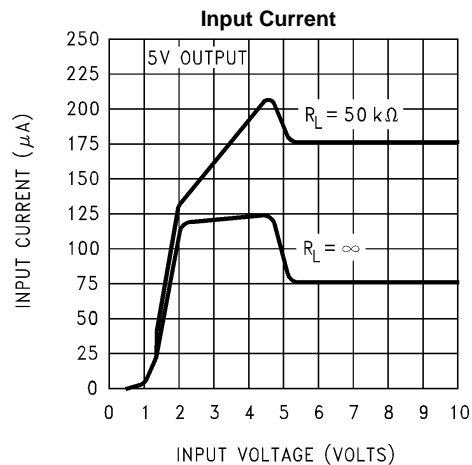


Figure 11.

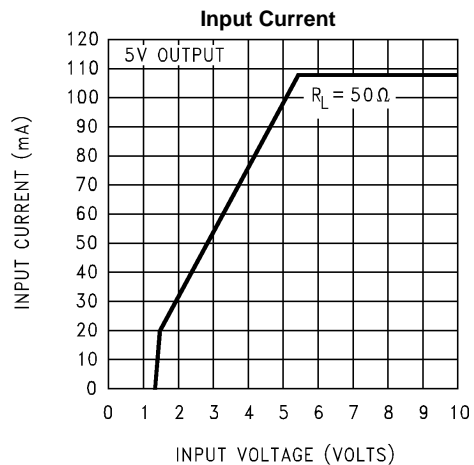


Figure 12.

Output Voltage vs. Temperature of 3 Representative Units

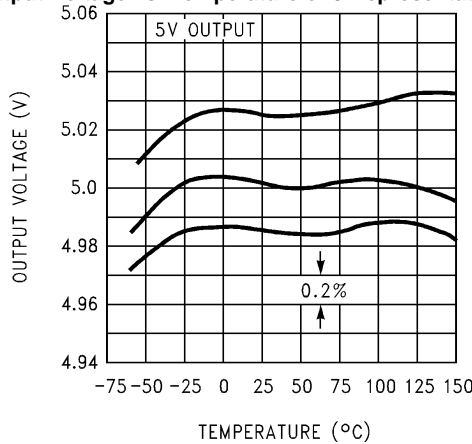


Figure 13.

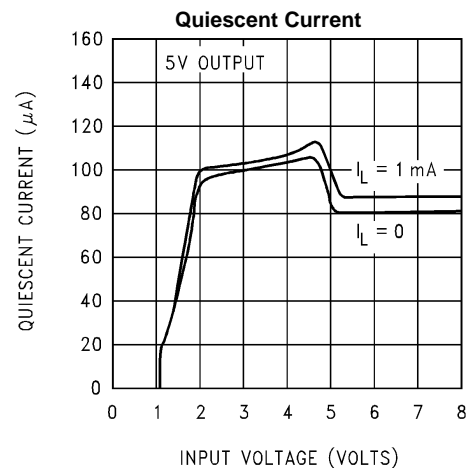


Figure 14.

TYPICAL PERFORMANCE CHARACTERISTICS (continued)

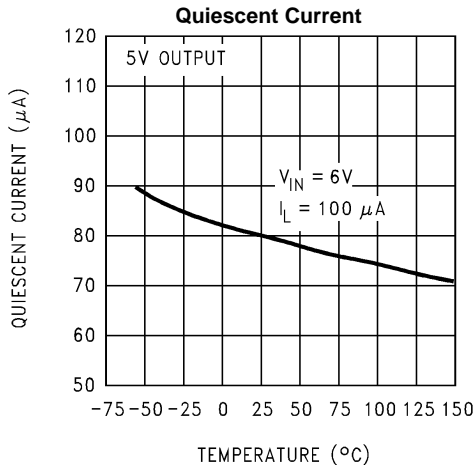


Figure 15.

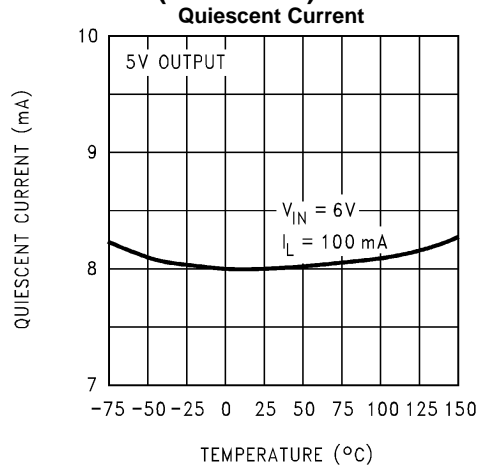


Figure 16.

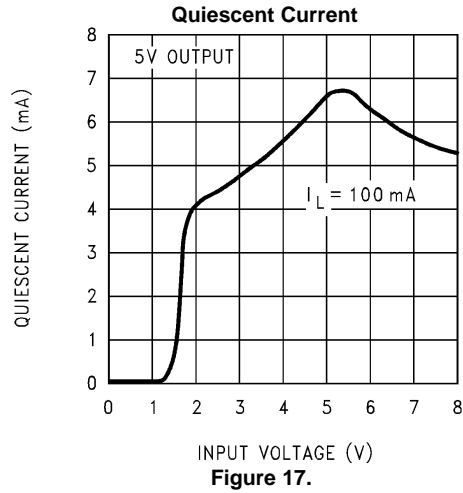


Figure 17.

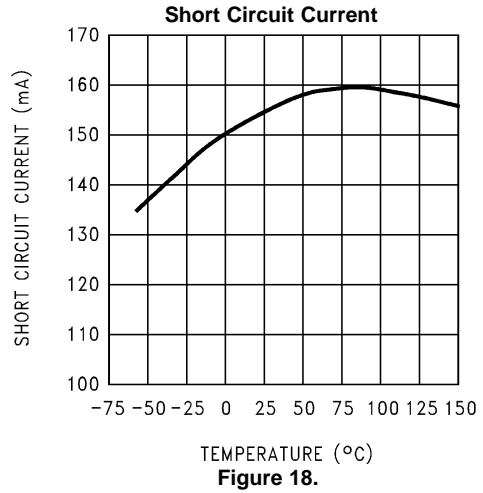


Figure 18.

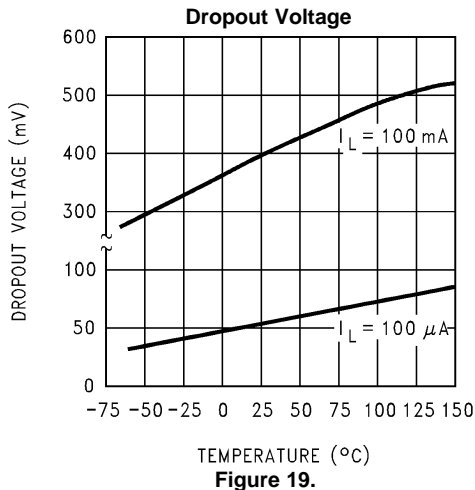


Figure 19.

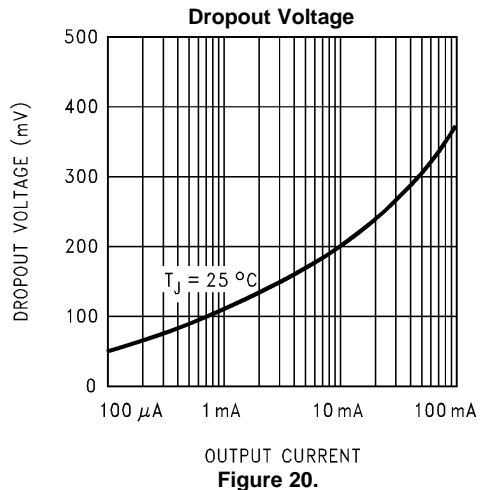
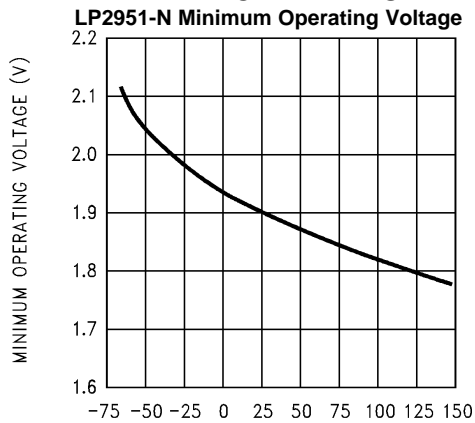
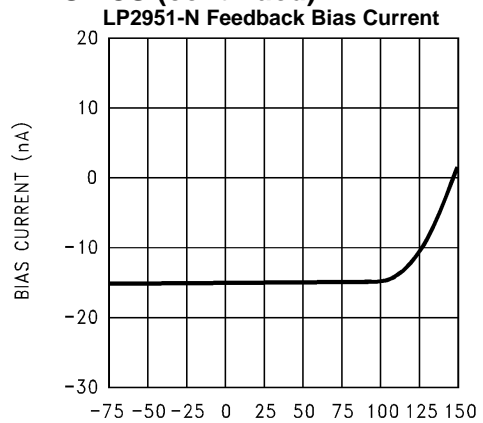


Figure 20.

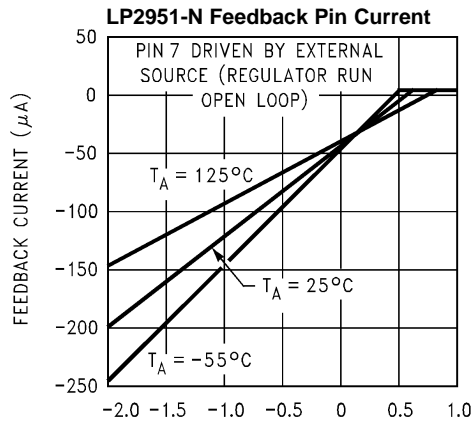
TYPICAL PERFORMANCE CHARACTERISTICS (continued)



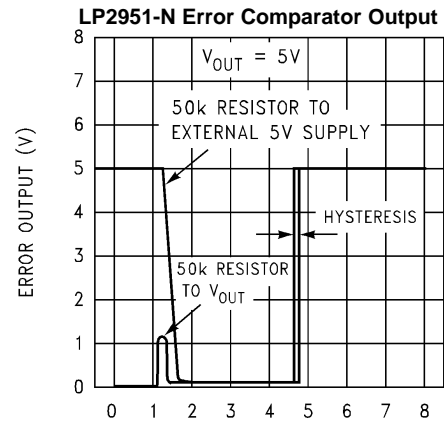
TEMPERATURE (°C)
Figure 21.



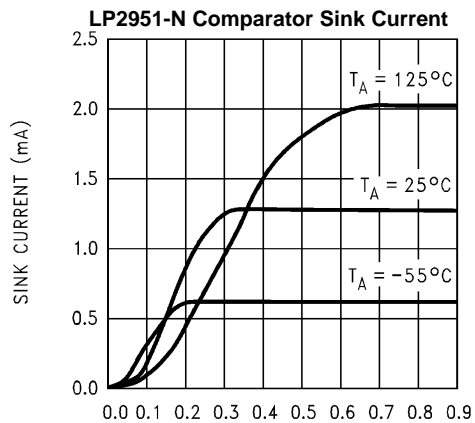
TEMPERATURE (°C)
Figure 22.



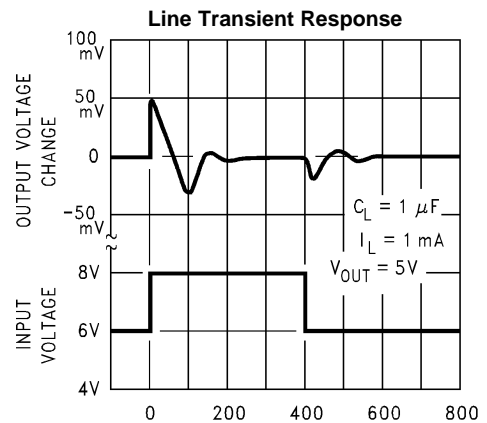
FEEDBACK VOLTAGE (V)
Figure 23.



INPUT VOLTAGE (V)
Figure 24.



OUTPUT LOW VOLTAGE (V)
Figure 25.



TIME (µs)
Figure 26.

TYPICAL PERFORMANCE CHARACTERISTICS (continued)

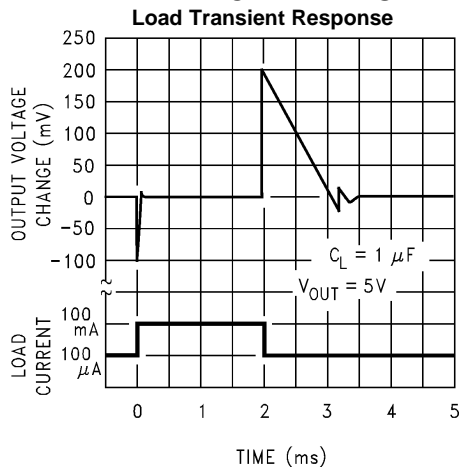


Figure 27.

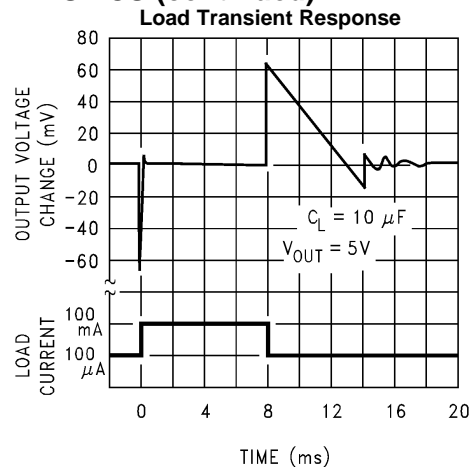


Figure 28.

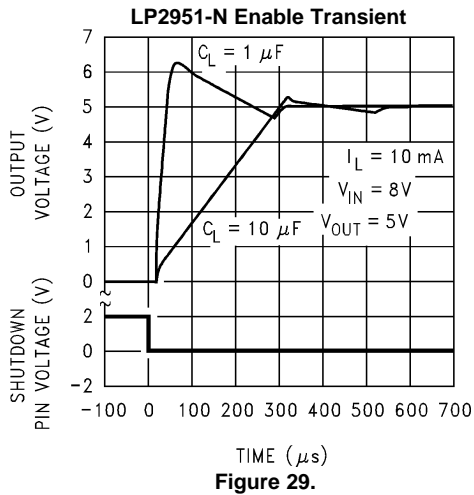


Figure 29.

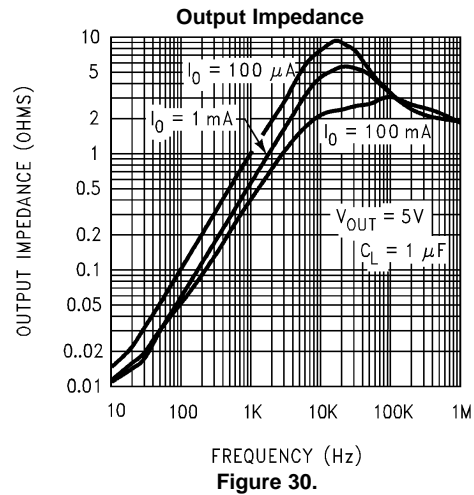


Figure 30.

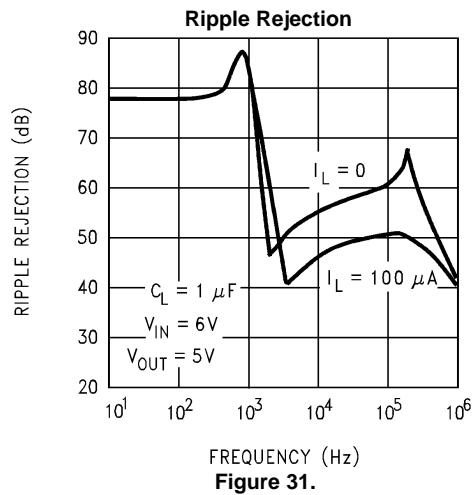


Figure 31.

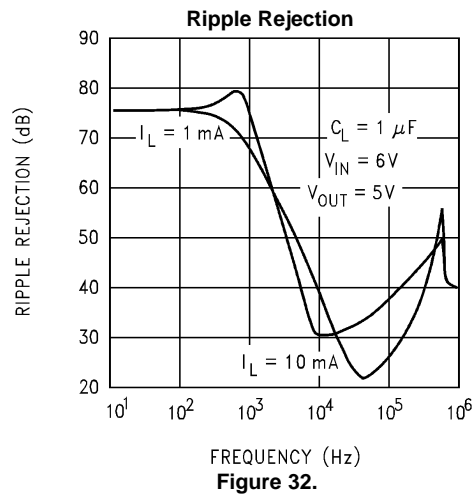
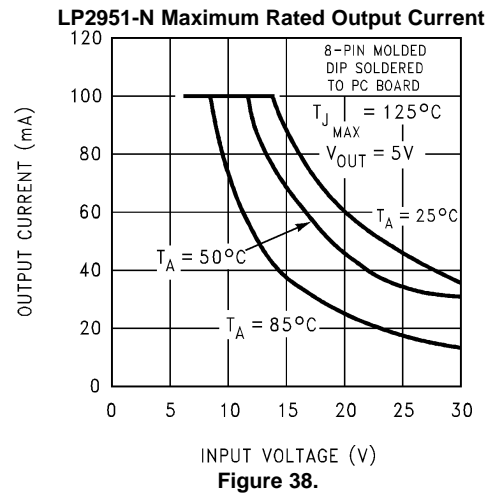
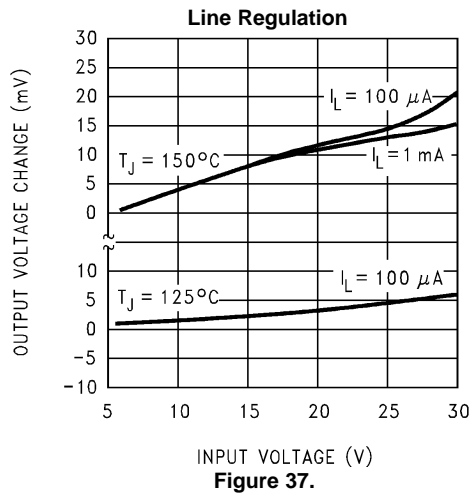
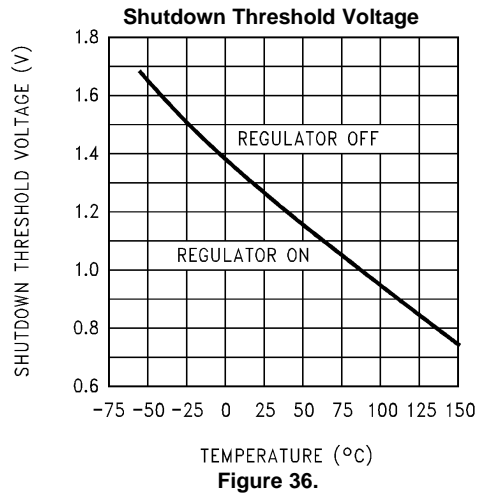
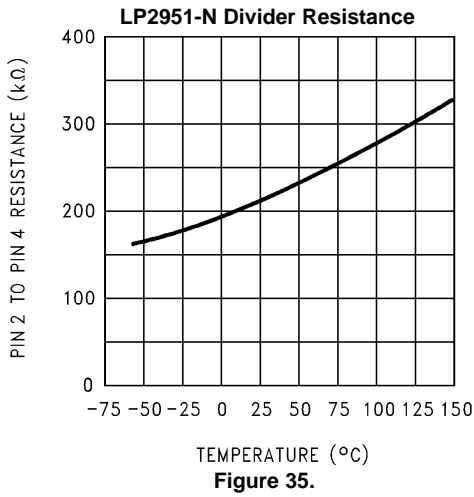
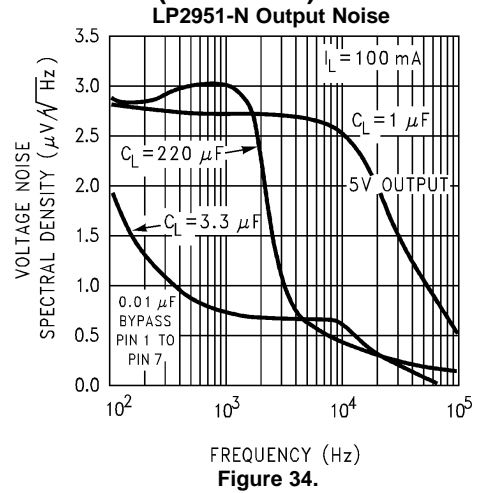
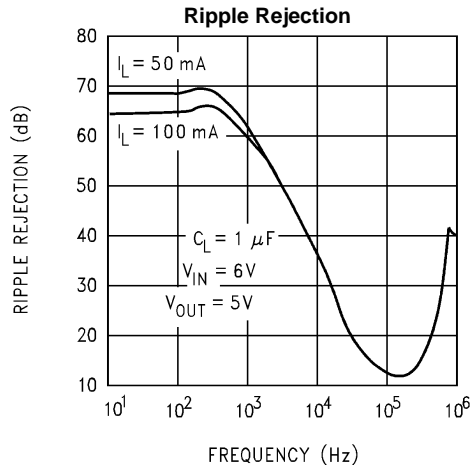
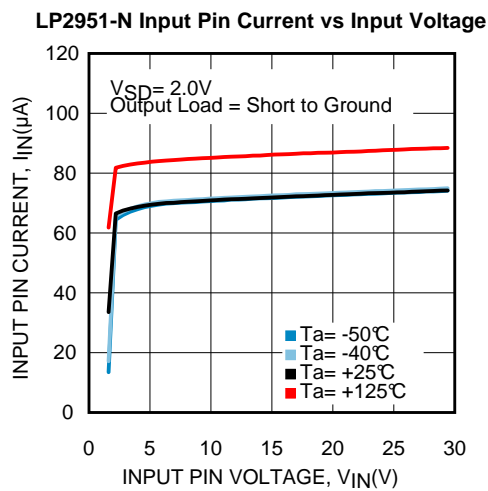
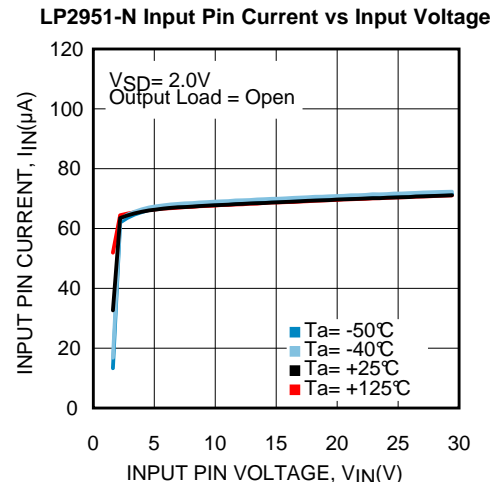
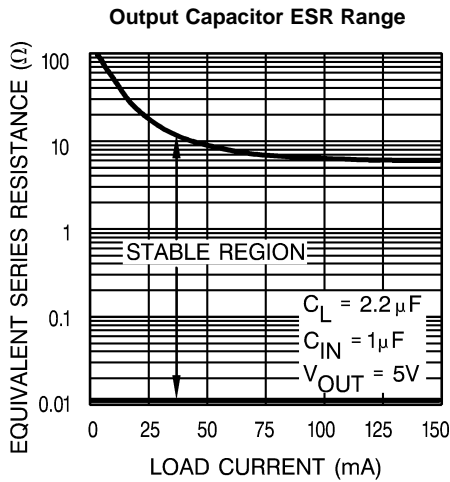
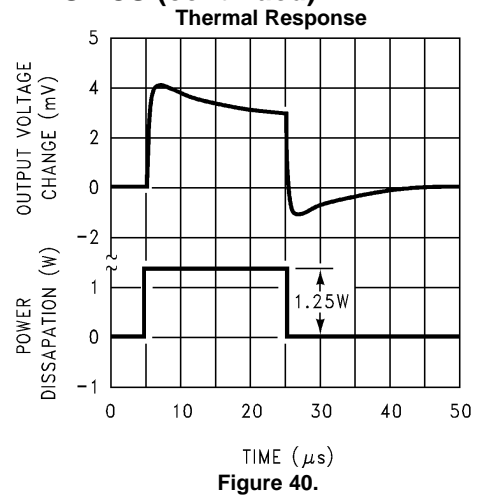
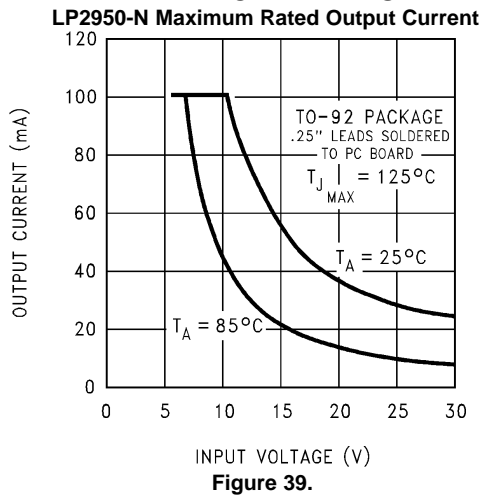


Figure 32.

TYPICAL PERFORMANCE CHARACTERISTICS (continued)



TYPICAL PERFORMANCE CHARACTERISTICS (continued)



APPLICATION HINTS

Output Capacitor Requirements

A 1.0 μF (or greater) capacitor is required between the output and ground for stability at output voltages of 5V or higher. At lower output voltages, more capacitance is required (2.2 μF or more is recommended for 3.0V and 3.3V versions). Without this capacitor the part will oscillate. Most types of tantalum or aluminum electrolytic work fine here; even film types work but are not recommended for reasons of cost. Many aluminum electrolytics have electrolytes that freeze at about -30°C , so solid tantalums are recommended for operation below -25°C . The important parameters of the capacitor are an ESR of about 5Ω or less and a resonant frequency above 500 kHz. The value of this capacitor may be increased without limit.

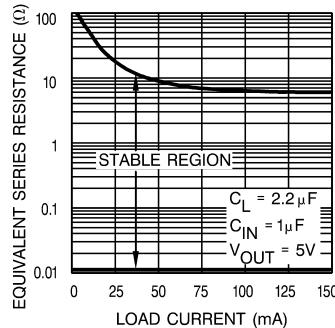


Figure 44. Output Capacitor ESR Range

The reason for the lower ESR limit is that the loop compensation of the feedback loop relies on the capacitance value and the ESR value of the output capacitor to provide the zero that gives added phase lead (See Figure 44).

$$f_z = (1 / (2 \times \pi \times C_{OUT} \times \text{ESR})) \quad (1)$$

Using the 2.2 μF value from the *Output Capacitor ESR Range* curve (Figure 44), a useful range for f_z can be estimated:

$$f_{z(\text{MIN})} = (1 / (2 \times \pi \times 2.2 \mu\text{F} \times 5\Omega)) = 14.5 \text{ kHz} \quad (2)$$

$$f_{z(\text{MAX})} = (1 / (2 \times \pi \times 2.2 \mu\text{F} \times 0.05\Omega)) = 318 \text{ kHz} \quad (3)$$

For ceramic capacitors, the low ESR produces a zero at a frequency that is too high to be useful, so meaningful phase lead does not occur. A ceramic output capacitor can be used if a series resistance is added (recommended value of resistance about 0.1Ω to 2Ω) to simulate the needed ESR. Only X5R, X7R, or better, MLCC types should be used, and should have a DC voltage rating at least twice the $V_{OUT(\text{NOM})}$ value.

At lower values of output current, less output capacitance is required for stability. The capacitor can be reduced to 0.33 μF for currents below 10 mA or 0.1 μF for currents below 1 mA. Using the adjustable versions at voltages below 5V runs the error amplifier at lower gains so that *more* output capacitance is needed. For the worst-case situation of a 100 mA load at 1.23V output (Output shorted to Feedback) a 3.3 μF (or greater) capacitor should be used.

Unlike many other regulators, the LP2950-N will remain stable and in regulation with no load in addition to the internal voltage divider. This is especially important in CMOS RAM keep-alive applications. When setting the output voltage of the LP2951-N versions with external resistors, a minimum load of 1 μA is recommended.

Applications having conditions that may drive the LP2950-N/51 into nonlinear operation require special consideration. Nonlinear operation will occur when the output voltage is held low enough to force the output stage into output current limiting while trying to pull the output voltage up to the regulated value. The internal loop response time will control how long it takes for the device to regain linear operation when the output has returned to the normal operating range. There are three significant nonlinear conditions that need to be considered, all can force the output stage into output current limiting mode, all can cause the output voltage to over-shoot with low

value output capacitors when the condition is removed, and the recommended generic solution is to set the output capacitor to a value not less than 10 μF . Although the 10 μF value for C_{OUT} may not eliminate the output voltage over-shoot in all cases, it should lower it to acceptable levels (<10% of $V_{\text{OUT(NOM)}}$) in the majority of cases. In all three of these conditions, applications with lighter load currents are more susceptible to output voltage over-shoot than applications with higher load currents.

- 1) At power-up, with the input voltage rising faster than output stage can charge the output capacitor.

$$V_{\text{IN}} t_{\text{RISE(MIN)}} > ((C_{\text{OUT}} / 100 \text{ mA}) \times \Delta V_{\text{IN}})$$

where

- $\Delta V_{\text{IN}} = V_{\text{OUT(NOM)}} + 1.0\text{V}$ (4)

- 2) Recovery from an output short circuit to ground condition.

$$C_{\text{OUT(MIN)}} \approx (160 \text{ mA} - I_{\text{LOAD(NOM)}}) / ((V_{\text{OUT(NOM)}}/10) / 25 \mu\text{s})$$
 (5)

- 3) Toggling the LP2951-N SHUTDOWN pin from high (i.e. OFF) to low (i.e. ON).

$$C_{\text{OUT(MIN)}} \approx (160 \text{ mA} - I_{\text{LOAD(NOM)}}) / ((V_{\text{OUT(NOM)}}/10) / 25 \mu\text{s})$$
 (6)

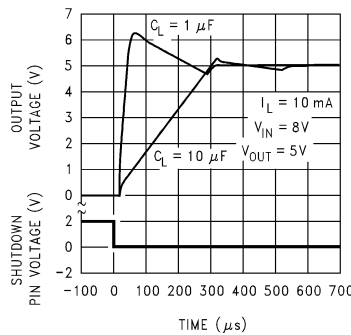


Figure 45. LP2951-N Enable Transient

Input Capacitor Requirements

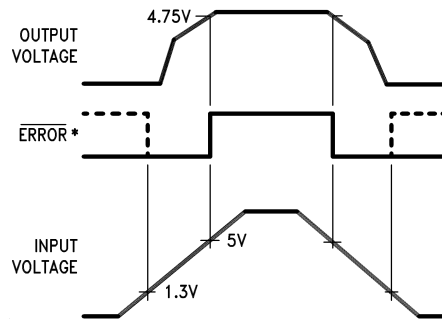
A minimum 1 μF tantalum, ceramic or aluminum electrolytic capacitor should be placed from the LP2950-N/LP2951-N input pin to ground if there is more than 10 inches of wire between the input and the AC filter capacitor or if a battery is used as the input.

Error Detection Comparator Output

The comparator produces a logic low output whenever the LP2951-N output falls out of regulation by more than approximately 5%. This figure is the comparator's built-in offset of about 60mV divided by the 1.235 reference voltage. (Refer to the block diagram in the front of the datasheet.) This trip level remains "5% below normal" regardless of the programmed output voltage of the 2951. For example, the error flag trip level is typically 4.75V for a 5V output or 11.4V for a 12V output. The out of regulation condition may be due either to low input voltage, current limiting, or thermal limiting.

Figure 46 below gives a timing diagram depicting the $\overline{\text{ERROR}}$ signal and the regulated output voltage as the LP2951-N input is ramped up and down. For 5V versions, the $\overline{\text{ERROR}}$ signal becomes valid (low) at about 1.3V input. It goes high at about 5V input (the input voltage at which $V_{\text{OUT}} = 4.75\text{V}$). Since the LP2951-N's dropout voltage is load-dependent (see curve in typical performance characteristics), the **input** voltage trip point (about 5V) will vary with the load current. The **output** voltage trip point (approx. 4.75V) does not vary with load.

The error comparator has an open-collector output which requires an external pull up resistor. This resistor may be returned to the output or some other supply voltage depending on system requirements. In determining a value for this resistor, note that while the output is rated to sink 400 μA , this sink current adds to battery drain in a low battery condition. Suggested values range from 100k to 1 M Ω . The resistor is not required if this output is unused.



*When $V_{IN} \leq 1.3V$, the error flag pin becomes a high impedance, and the error flag voltage rises to its pull-up voltage. Using V_{OUT} as the pull-up voltage (see Figure 47), rather than an external 5V source, will keep the error flag voltage under 1.2V (typ.) in this condition. The user may wish to divide down the error flag voltage using equal-value resistors (10 k Ω suggested), to ensure a low-level logic signal during any fault condition, while still allowing a valid high logic level during normal operation.

Figure 46. ERROR Output Timing

Programming the Output Voltage (LP2951-N)

The LP2951-N may be pin-strapped for the nominal fixed output voltage using its internal voltage divider by tying the output and sense pins together, and also tying the feedback and V_{TAP} pins together. Alternatively, it may be programmed for any output voltage between its 1.235V reference and its 30V maximum rating. As seen in Figure 47, an external pair of resistors is required.

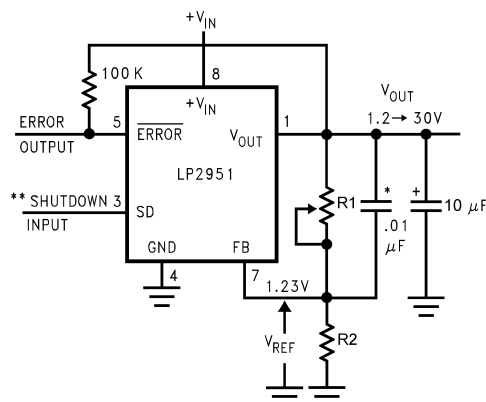
The complete equation for the output voltage is

$$V_{OUT} = V_{REF} \cdot \left(1 + \frac{R_1}{R_2} \right) + I_{FB}R_1$$

where

- V_{REF} is the nominal 1.235V reference voltage and I_{FB} is the feedback pin bias current, nominally -20nA (7)

The minimum recommended load current of 1 μA forces an upper limit of 1.2 M Ω on the value of R2, if the regulator must work with no load (a condition often found in CMOS in standby). I_{FB} will produce a 2% typical error in V_{OUT} which may be eliminated at room temperature by trimming R1. For better accuracy, choosing R2 = 100 k Ω reduces this error to 0.17% while increasing the resistor program current to 12 μA . Since the LP2951-N typically draws 60 μA at no load with Pin 2 open-circuited, this is a small price to pay.



*See Application Hints

$$V_{out} = V_{Ref} \left(1 + \frac{R_1}{R_2} \right)$$

**Drive with TTL-high to shut down. Ground or leave open if shutdown feature is not to be used.

Note: Pins 2 and 6 are left open.

Figure 47. Adjustable Regulator

Stray capacitance to the LP2951-N Feedback terminal can cause instability. This may especially be a problem when using high value external resistors to set the output voltage. Adding a 100 pF capacitor between the Output pin and the Feedback pin, and increasing the output capacitor to at least 3.3 μF, will fix this problem.

Reducing Output Noise

In reference applications it may be advantageous to reduce the AC noise present at the output. One method is to reduce the regulator bandwidth by increasing the size of the output capacitor. This is the only way noise can be reduced on the 3 lead LP2950-N but is relatively inefficient, as increasing the capacitor from 1 μF to 220 μF only decreases the noise from 430 μV_(RMS) to 160 μV_(RMS) for a 100 kHz bandwidth at 5V output.

Noise can be reduced fourfold by a bypass capacitor across R1, since it reduces the high frequency gain from 4 to unity. Pick

$$C_{\text{BYPASS}} \cong \frac{1}{2\pi R_1 \bullet 200 \text{ Hz}} \tag{8}$$

or about 0.01 μF. When doing this, the output capacitor must be increased to 3.3 μF to maintain stability. These changes reduce the output noise from 430 μV to 100 μV rms for a 100 kHz bandwidth at 5V output. With the bypass capacitor added, noise no longer scales with output voltage so that improvements are more dramatic at higher output voltages.

WSON Mounting

The NGT (No Pullback) 8-Lead WSON package requires specific mounting techniques which are detailed in Application Note 1187 (literature number [SNOA401](#)). Referring to the **PCB Design Recommendations** section (literature number [SNOA401](#)), it should be noted that the pad style which should be used with the WSON package is the NSMD (non-solder mask defined) type. Additionally, it is recommended the PCB terminal pads to be 0.2 mm longer than the package pads to create a solder fillet to improve reliability and inspection.

The thermal dissipation of the WSON package is directly related to the printed circuit board construction and the amount of additional copper area connected to the DAP.

The DAP (exposed pad) on the bottom of the WSON package is connected to the die substrate with a conductive die attach adhesive. The DAP has no direct electrical (wire) connection to any of the eight pins. There is a parasitic PN junction between the die substrate and the device ground. As such, it is strongly recommended that the DAP be connected directly to the ground at device lead 4 (i.e. GND). Alternately, but not recommended, the DAP may be left floating (i.e. no electrical connection). The DAP must not be connected to any potential other than ground.

For the LP2951-N in the NGT 8-Lead WSON package, the junction-to-case thermal rating, θ_{JC}, is 14.2°C/W, where the case is the bottom of the package at the center of the DAP. The junction-to-ambient thermal performance for the LP2951-N in the NGT 8-Lead WSON package, using the JEDEC JESD51 standards is summarized in the following table:

| Board Type | Thermal Vias | θ _{JC} | θ _{JA} |
|-------------------------|--------------|-----------------|-----------------|
| JEDEC 2-Layer JESD 51-3 | None | 14.2°C/W | 185°C/W |
| JEDEC 4-Layer JESD 51-7 | 1 | 14.2°C/W | 68°C/W |
| | 2 | 14.2°C/W | 60°C/W |
| | 4 | 14.2°C/W | 51°C/W |
| | 6 | 14.2°C/W | 48°C/W |

Typical Applications

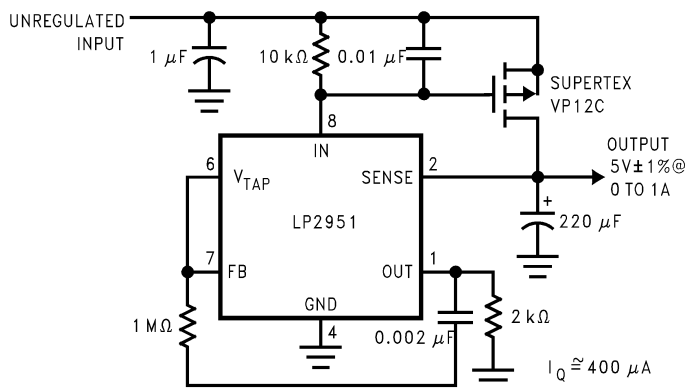


Figure 48. 1A Regulator with 1.2V Dropout

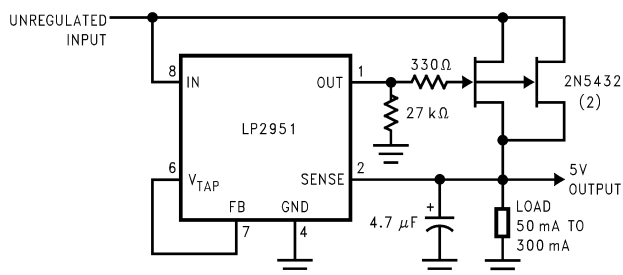
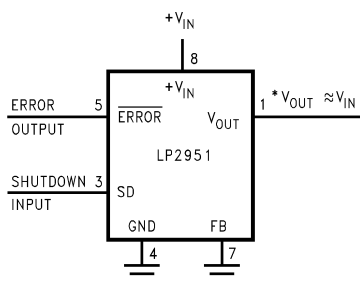


Figure 49. 300mA Regulator with 0.75V Dropout



*Minimum input-output voltage ranges from 40mV to 400mV, depending on load current. Current limit is typically 160mA.

Figure 50. Wide Input Voltage Range Current Limiter

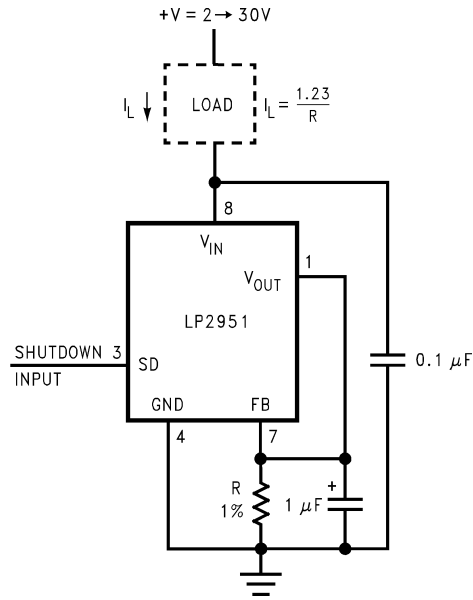
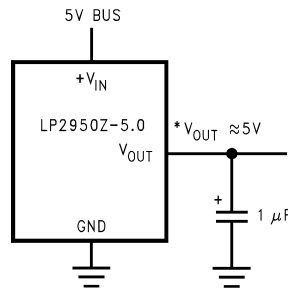
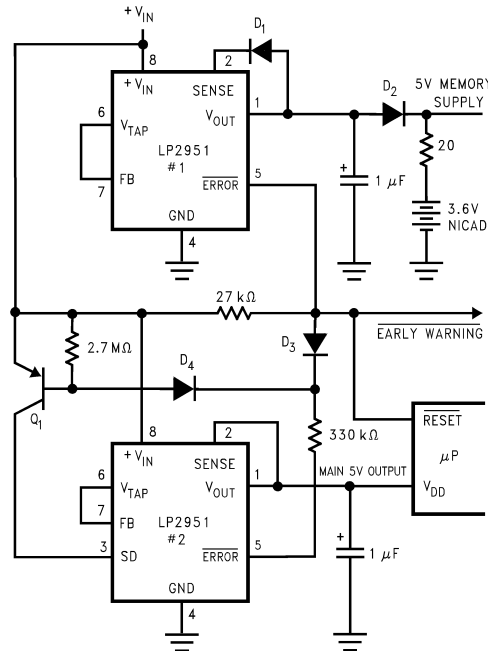


Figure 51. Low Drift Current Source



*Minimum input-output voltage ranges from 40mV to 400mV, depending on load current. Current limit is typically 160mA.

Figure 52. 5 Volt Current Limiter



- Early warning flag on low input voltage
- Main output latches off at lower input voltages
- Battery backup on auxiliary output
- Operation: Reg. #1's V_{OUT} is programmed one diode drop above 5V. Its error flag becomes active when $V_{IN} \leq 5.7V$. When V_{IN} drops below 5.3V, the error flag of Reg. #2 becomes active and via Q1 latches the main output off. When V_{IN} again exceeds 5.7V Reg. #1 is back in regulation and the early warning signal rises, unlatching Reg. #2 via D3.

Figure 53. Regulator with Early Warning and Auxiliary Output

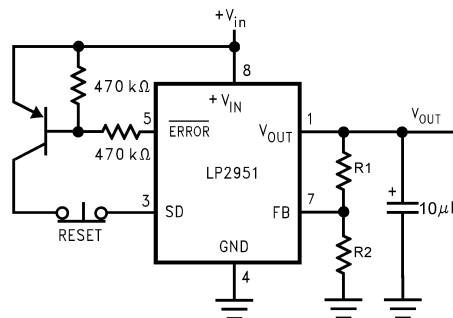
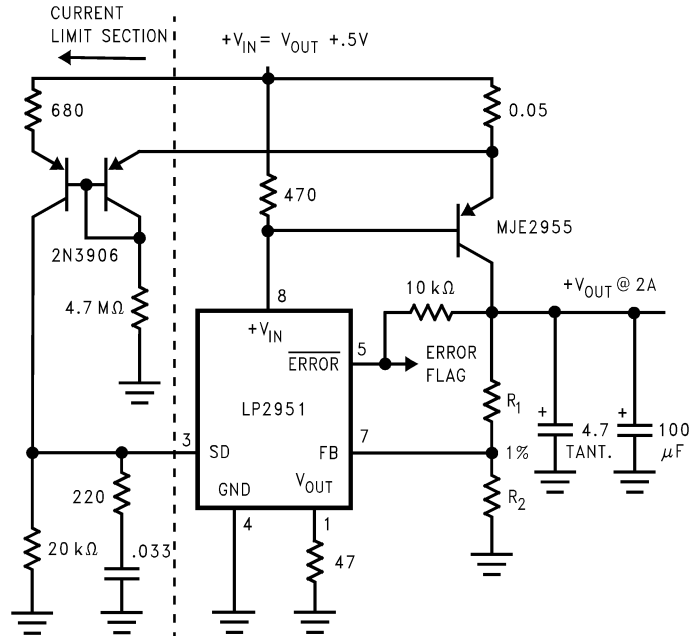


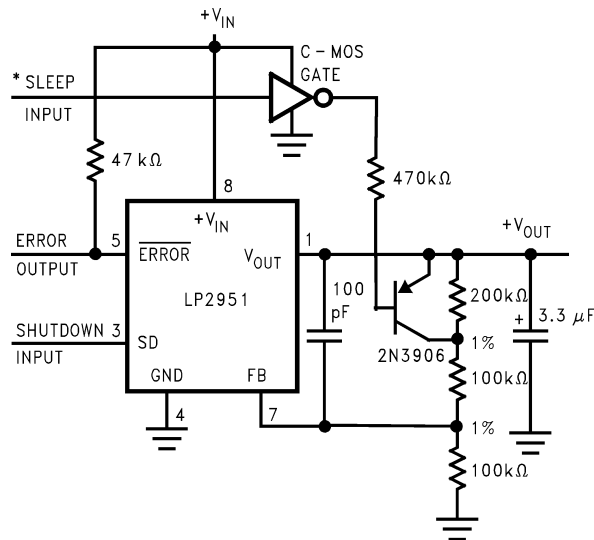
Figure 54. Latch Off When Error Flag Occurs



$$V_{out} = 1.23V \left(1 + \frac{R_1}{R_2} \right)$$

For 5V_{out}, use internal resistors. Wire pin 6 to 7, & wire pin 2 to +V_{out} Bus.

Figure 55. 2 Ampere Low Dropout Regulator



*High input lowers V_{out} to 2.5V

Figure 56. 5V Regulator with 2.5V Sleep Function

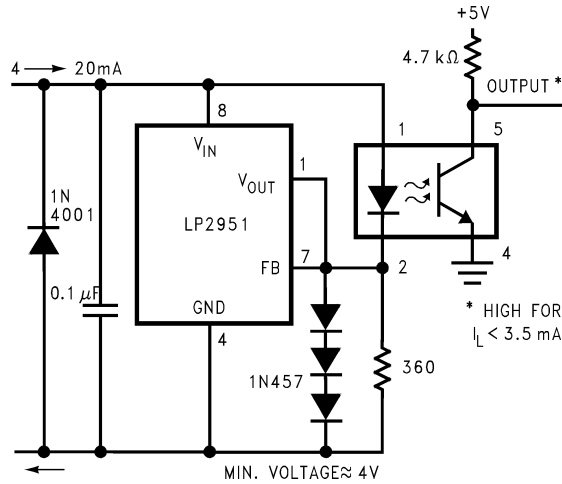
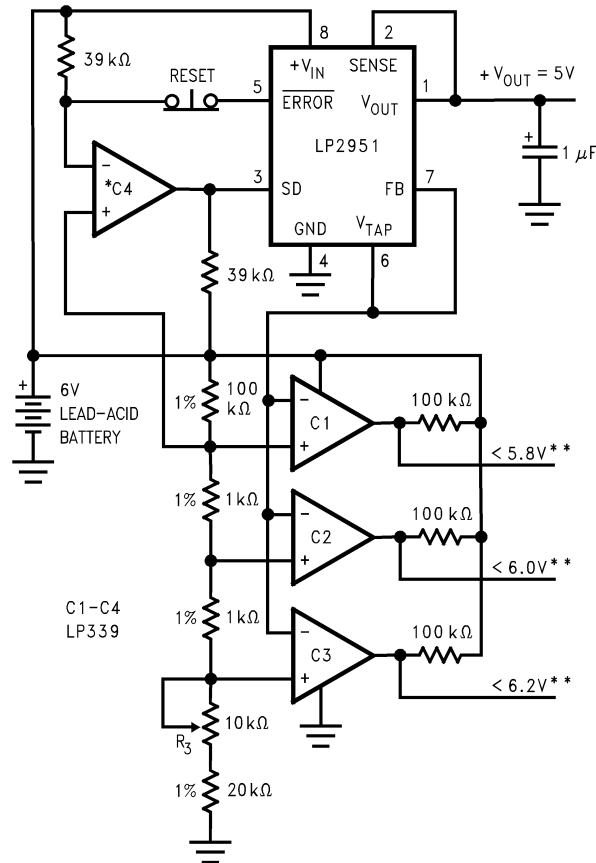
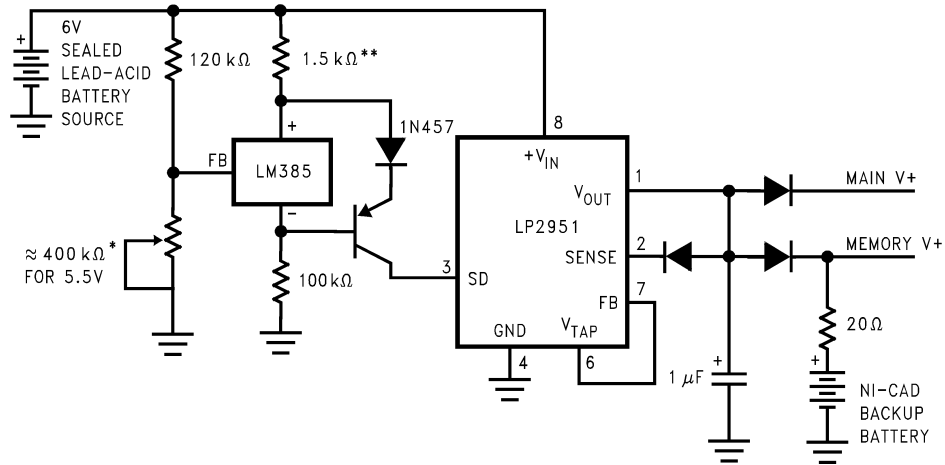


Figure 57. Open Circuit Detector for 4 → 20mA Current Loop



*Optional Latch off when drop out occurs. Adjust R3 for C2 Switching when V_{in} is 6.0V
 **Outputs go low when V_{IN} drops below designated thresholds.

Figure 58. Regulator with State-of-Charge Indicator

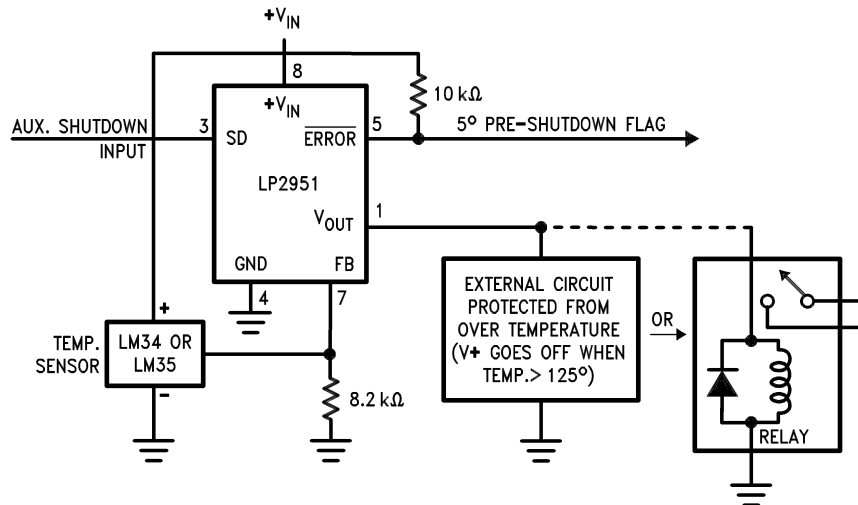


For values shown, Regulator shuts down when $V_{in} < 5.5V$ and turns on again at $6.0V$. Current drain in disconnected mode is $\approx 150\mu A$.

*Sets disconnect Voltage

**Sets disconnect Hysteresis

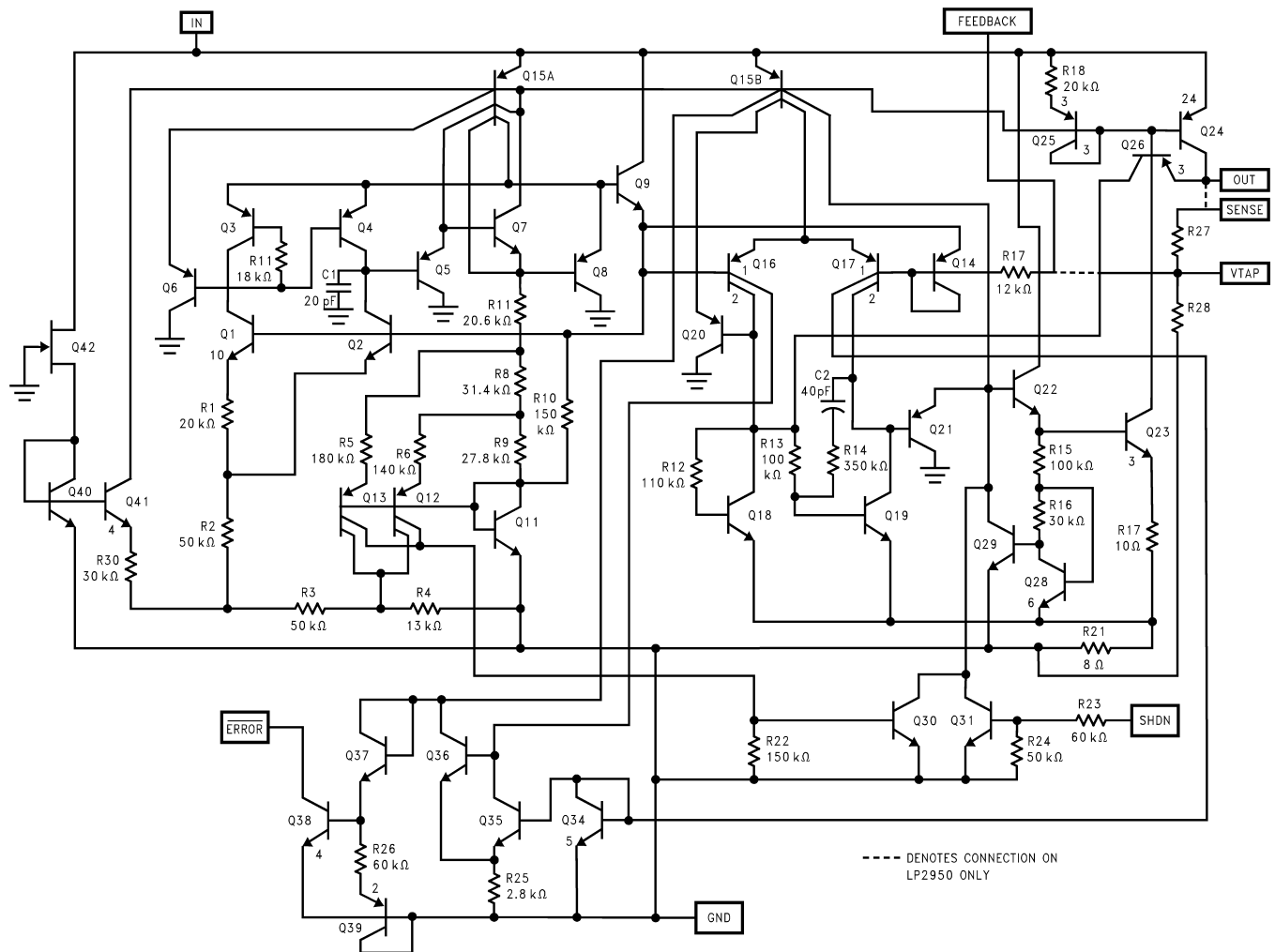
Figure 59. Low Battery Disconnect



LM34 for 125°F Shutdown
 LM35 for 125°C Shutdown

Figure 60. System Overtemperature Protection Circuit

Schematic Diagram



REVISION HISTORY

| Changes from Revision M (April 2013) to Revision N | Page |
|--|--------------------|
| • Changed layout of National Data Sheet to TI format | 23 |

PACKAGING INFORMATION

| Orderable Device | Status (1) | Package Type | Package Drawing | Pins | Package Qty | Eco Plan (2) | Lead/Ball Finish (6) | MSL Peak Temp (3) | Op Temp (°C) | Device Marking (4/5) | Samples |
|---------------------|---------------|--------------|--------------------|------|----------------|----------------------------|-------------------------|----------------------|--------------|-------------------------|-------------------------|
| LP2950ACZ-3.0/NOPB | ACTIVE | TO-92 | LP | 3 | 1800 | Green (RoHS & no Sb/Br) | SN Call TI | N / A for Pkg Type | -40 to 125 | 2950A CZ3.0 | Samples |
| LP2950ACZ-3.3/NOPB | ACTIVE | TO-92 | LP | 3 | 1800 | Green (RoHS & no Sb/Br) | SN Call TI | N / A for Pkg Type | -40 to 125 | 2950A CZ3.3 | Samples |
| LP2950ACZ-5.0/LFT1 | ACTIVE | TO-92 | LP | 3 | 2000 | Green (RoHS & no Sb/Br) | SN CU SN | N / A for Pkg Type | | 2950A CZ5.0 | Samples |
| LP2950ACZ-5.0/LFT3 | ACTIVE | TO-92 | LP | 3 | 2000 | Green (RoHS & no Sb/Br) | SN CU SN | N / A for Pkg Type | | 2950A CZ5.0 | Samples |
| LP2950ACZ-5.0/LFT7 | ACTIVE | TO-92 | LP | 3 | 2000 | Green (RoHS & no Sb/Br) | SN Call TI | N / A for Pkg Type | | 2950A CZ5.0 | Samples |
| LP2950ACZ-5.0/NOPB | ACTIVE | TO-92 | LP | 3 | 1800 | Green (RoHS & no Sb/Br) | SN Call TI | N / A for Pkg Type | -40 to 125 | 2950A CZ5.0 | Samples |
| LP2950CDT-3.0 | ACTIVE | TO-252 | NDP | 3 | 75 | TBD | Call TI | Call TI | -40 to 125 | | Samples |
| LP2950CDT-3.0/NOPB | ACTIVE | TO-252 | NDP | 3 | 75 | Green (RoHS & no Sb/Br) | CU SN | Level-2-260C-1 YEAR | -40 to 125 | LP2950 CDT-3.0 | Samples |
| LP2950CDT-3.3 | NRND | TO-252 | NDP | 3 | 75 | TBD | Call TI | Call TI | -40 to 125 | LP2950 CDT-3.3 | |
| LP2950CDT-3.3/NOPB | ACTIVE | TO-252 | NDP | 3 | 75 | Green (RoHS & no Sb/Br) | CU SN | Level-2-260C-1 YEAR | -40 to 125 | LP2950 CDT-3.3 | Samples |
| LP2950CDT-5.0/NOPB | ACTIVE | TO-252 | NDP | 3 | 75 | Green (RoHS & no Sb/Br) | CU SN | Level-2-260C-1 YEAR | -40 to 125 | LP2950 CDT-5.0 | Samples |
| LP2950CDTX-3.0 | ACTIVE | TO-252 | NDP | 3 | 2500 | TBD | Call TI | Call TI | -40 to 125 | | Samples |
| LP2950CDTX-3.0/NOPB | ACTIVE | TO-252 | NDP | 3 | 2500 | Green (RoHS & no Sb/Br) | CU SN | Level-2-260C-1 YEAR | -40 to 125 | LP2950 CDT-3.0 | Samples |
| LP2950CDTX-3.3 | ACTIVE | TO-252 | NDP | 3 | 2500 | TBD | Call TI | Call TI | -40 to 125 | | Samples |
| LP2950CDTX-3.3/NOPB | ACTIVE | TO-252 | NDP | 3 | 2500 | Green (RoHS & no Sb/Br) | CU SN | Level-2-260C-1 YEAR | -40 to 125 | LP2950 CDT-3.3 | Samples |
| LP2950CDTX-5.0 | NRND | TO-252 | NDP | 3 | 2500 | TBD | Call TI | Call TI | -40 to 125 | LP2950 CDT-5.0 | |
| LP2950CDTX-5.0/NOPB | ACTIVE | TO-252 | NDP | 3 | 2500 | Green (RoHS & no Sb/Br) | CU SN | Level-2-260C-1 YEAR | -40 to 125 | LP2950 CDT-5.0 | Samples |
| LP2950CN | LIFEBUY | PDIP | P | 8 | 40 | TBD | Call TI | Call TI | -40 to 125 | LP | |

| Orderable Device | Status (1) | Package Type | Package Drawing | Pins | Package Qty | Eco Plan (2) | Lead/Ball Finish (6) | MSL Peak Temp (3) | Op Temp (°C) | Device Marking (4/5) | Samples |
|---------------------|---------------|--------------|-----------------|------|-------------|-------------------------|-------------------------|----------------------|--------------|-------------------------|-------------------------|
| | | | | | | | | | | 2951CN | |
| LP2950CZ-3.0/LFT3 | ACTIVE | TO-92 | LP | 3 | 2000 | Green (RoHS & no Sb/Br) | SN CU SN | N / A for Pkg Type | | 2950 CZ3.0 | Samples |
| LP2950CZ-3.0/NOPB | ACTIVE | TO-92 | LP | 3 | 1800 | Green (RoHS & no Sb/Br) | SN Call TI | N / A for Pkg Type | -40 to 125 | 2950 CZ3.0 | Samples |
| LP2950CZ-3.3/LFT1 | ACTIVE | TO-92 | LP | 3 | 2000 | Green (RoHS & no Sb/Br) | SN CU SN | N / A for Pkg Type | | 2950 CZ3.3 | Samples |
| LP2950CZ-3.3/LFT3 | ACTIVE | TO-92 | LP | 3 | 2000 | Green (RoHS & no Sb/Br) | SN CU SN | N / A for Pkg Type | | 2950 CZ3.3 | Samples |
| LP2950CZ-3.3/NOPB | ACTIVE | TO-92 | LP | 3 | 1800 | Green (RoHS & no Sb/Br) | SN Call TI | N / A for Pkg Type | -40 to 125 | 2950 CZ3.3 | Samples |
| LP2950CZ-5.0/LFT1 | ACTIVE | TO-92 | LP | 3 | 2000 | Green (RoHS & no Sb/Br) | SN CU SN | N / A for Pkg Type | | 2950 CZ5.0 | Samples |
| LP2950CZ-5.0/LFT3 | ACTIVE | TO-92 | LP | 3 | 2000 | Green (RoHS & no Sb/Br) | SN CU SN | N / A for Pkg Type | | 2950 CZ5.0 | Samples |
| LP2950CZ-5.0/LFT7 | ACTIVE | TO-92 | LP | 3 | 2000 | Green (RoHS & no Sb/Br) | SN Call TI | N / A for Pkg Type | | 2950 CZ5.0 | Samples |
| LP2950CZ-5.0/LFT8 | ACTIVE | TO-92 | LP | 3 | 2000 | Green (RoHS & no Sb/Br) | SN CU SN | N / A for Pkg Type | | 2950 CZ5.0 | Samples |
| LP2950CZ-5.0/NOPB | ACTIVE | TO-92 | LP | 3 | 1800 | Green (RoHS & no Sb/Br) | SN Call TI | N / A for Pkg Type | -40 to 125 | 2950 CZ5.0 | Samples |
| LP2951ACM | NRND | SOIC | D | 8 | 95 | TBD | Call TI | Call TI | -40 to 125 | 2951 ACM>D | |
| LP2951ACM-3.0/NOPB | ACTIVE | SOIC | D | 8 | 95 | Green (RoHS & no Sb/Br) | CU SN | Level-1-260C-UNLIM | -40 to 125 | 2951A CM30>D | Samples |
| LP2951ACM-3.3 | NRND | SOIC | D | 8 | 95 | TBD | Call TI | Call TI | -40 to 125 | 2951A CM33>D | |
| LP2951ACM-3.3/NOPB | ACTIVE | SOIC | D | 8 | 95 | Green (RoHS & no Sb/Br) | SN CU SN | Level-1-260C-UNLIM | -40 to 125 | 2951A CM33>D | Samples |
| LP2951ACM/NOPB | ACTIVE | SOIC | D | 8 | 95 | Green (RoHS & no Sb/Br) | SN CU SN | Level-1-260C-UNLIM | -40 to 125 | 2951 ACM>D | Samples |
| LP2951ACMM | NRND | VSSOP | DGK | 8 | 1000 | TBD | Call TI | Call TI | -40 to 125 | L0DA | |
| LP2951ACMM-3.0 | NRND | VSSOP | DGK | 8 | 1000 | TBD | Call TI | Call TI | -40 to 125 | L0BA | |
| LP2951ACMM-3.0/NOPB | ACTIVE | VSSOP | DGK | 8 | 1000 | Green (RoHS & no Sb/Br) | CU SN | Level-1-260C-UNLIM | -40 to 125 | L0BA | Samples |
| LP2951ACMM-3.3 | NRND | VSSOP | DGK | 8 | 1000 | TBD | Call TI | Call TI | -40 to 125 | L0CA | |

| Orderable Device | Status (1) | Package Type | Package Drawing | Pins | Package Qty | Eco Plan (2) | Lead/Ball Finish (6) | MSL Peak Temp (3) | Op Temp (°C) | Device Marking (4/5) | Samples |
|----------------------|---------------|--------------|-----------------|------|-------------|-------------------------|-------------------------|----------------------|--------------|-------------------------|-------------------------|
| LP2951ACMM-3.3/NOPB | ACTIVE | VSSOP | DGK | 8 | 1000 | Green (RoHS & no Sb/Br) | CU SN | Level-1-260C-UNLIM | -40 to 125 | L0CA | Samples |
| LP2951ACMM/NOPB | ACTIVE | VSSOP | DGK | 8 | 1000 | Green (RoHS & no Sb/Br) | CU SN | Level-1-260C-UNLIM | -40 to 125 | L0DA | Samples |
| LP2951ACMMX-3.0 | NRND | VSSOP | DGK | 8 | 3500 | TBD | Call TI | Call TI | -40 to 125 | L0BA | |
| LP2951ACMMX-3.0/NOPB | ACTIVE | VSSOP | DGK | 8 | 3500 | Green (RoHS & no Sb/Br) | CU SN | Level-1-260C-UNLIM | -40 to 125 | L0BA | Samples |
| LP2951ACMMX-3.3/NOPB | ACTIVE | VSSOP | DGK | 8 | 3500 | Green (RoHS & no Sb/Br) | CU SN | Level-1-260C-UNLIM | -40 to 125 | L0CA | Samples |
| LP2951ACMMX/NOPB | ACTIVE | VSSOP | DGK | 8 | 3500 | Green (RoHS & no Sb/Br) | CU SN | Level-1-260C-UNLIM | -40 to 125 | L0DA | Samples |
| LP2951ACMX | NRND | SOIC | D | 8 | 2500 | TBD | Call TI | Call TI | -40 to 125 | 2951 ACM>D | |
| LP2951ACMX-3.0/NOPB | ACTIVE | SOIC | D | 8 | 2500 | Green (RoHS & no Sb/Br) | CU SN | Level-1-260C-UNLIM | -40 to 125 | 2951A CM30>D | Samples |
| LP2951ACMX-3.3/NOPB | ACTIVE | SOIC | D | 8 | 2500 | Green (RoHS & no Sb/Br) | SN CU SN | Level-1-260C-UNLIM | -40 to 125 | 2951A CM33>D | Samples |
| LP2951ACMX/NOPB | ACTIVE | SOIC | D | 8 | 2500 | Green (RoHS & no Sb/Br) | SN CU SN | Level-1-260C-UNLIM | -40 to 125 | 2951 ACM>D | Samples |
| LP2951ACN | LIFEBUY | PDIP | P | 8 | 40 | TBD | Call TI | Call TI | -40 to 125 | LP 2951ACN | |
| LP2951ACN/NOPB | ACTIVE | PDIP | P | 8 | 40 | Green (RoHS & no Sb/Br) | CU SN | Level-1-NA-UNLIM | -40 to 125 | LP 2951ACN | Samples |
| LP2951ACSD | NRND | WSO | NGT | 8 | 1000 | TBD | Call TI | Call TI | -40 to 125 | 2951AC | |
| LP2951ACSD/NOPB | ACTIVE | WSO | NGT | 8 | 1000 | Green (RoHS & no Sb/Br) | CU SN | Level-1-260C-UNLIM | -40 to 125 | 2951AC | Samples |
| LP2951ACSDX-3.3/NOPB | ACTIVE | WSO | NGT | 8 | 4500 | Green (RoHS & no Sb/Br) | CU SN | Level-1-260C-UNLIM | -40 to 125 | 51AC33 | Samples |
| LP2951ACSDX/NOPB | ACTIVE | WSO | NGT | 8 | 4500 | Green (RoHS & no Sb/Br) | CU SN | Level-1-260C-UNLIM | -40 to 125 | 2951AC | Samples |
| LP2951CM | NRND | SOIC | D | 8 | 95 | TBD | Call TI | Call TI | -40 to 125 | 2951 CM>D | |
| LP2951CM-3.0/NOPB | ACTIVE | SOIC | D | 8 | 95 | Green (RoHS & no Sb/Br) | CU SN | Level-1-260C-UNLIM | -40 to 125 | 2951C M30>D | Samples |
| LP2951CM-3.3 | NRND | SOIC | D | 8 | 95 | TBD | Call TI | Call TI | -40 to 125 | 2951C M33>D | |

| Orderable Device | Status (1) | Package Type | Package Drawing | Pins | Package Qty | Eco Plan (2) | Lead/Ball Finish (6) | MSL Peak Temp (3) | Op Temp (°C) | Device Marking (4/5) | Samples |
|---------------------|---------------|--------------|-----------------|------|-------------|-------------------------|-------------------------|----------------------|--------------|-------------------------|-------------------------|
| LP2951CM-3.3/NOPB | ACTIVE | SOIC | D | 8 | 95 | Green (RoHS & no Sb/Br) | SN CU SN | Level-1-260C-UNLIM | -40 to 125 | 2951C M33>D | Samples |
| LP2951CM/NOPB | ACTIVE | SOIC | D | 8 | 95 | Green (RoHS & no Sb/Br) | SN CU SN | Level-1-260C-UNLIM | -40 to 125 | 2951 CM>D | Samples |
| LP2951CMM | NRND | VSSOP | DGK | 8 | 1000 | TBD | Call TI | Call TI | -40 to 125 | L0DB | |
| LP2951CMM-3.0/NOPB | ACTIVE | VSSOP | DGK | 8 | 1000 | Green (RoHS & no Sb/Br) | CU SN | Level-1-260C-UNLIM | -40 to 125 | L0BB | Samples |
| LP2951CMM-3.3/NOPB | ACTIVE | VSSOP | DGK | 8 | 1000 | Green (RoHS & no Sb/Br) | CU SN | Level-1-260C-UNLIM | -40 to 125 | L0CB | Samples |
| LP2951CMM/NOPB | ACTIVE | VSSOP | DGK | 8 | 1000 | Green (RoHS & no Sb/Br) | CU SN | Level-1-260C-UNLIM | -40 to 125 | L0DB | Samples |
| LP2951CMMX | NRND | VSSOP | DGK | 8 | 3500 | TBD | Call TI | Call TI | -40 to 125 | L0DB | |
| LP2951CMMX-3.0/NOPB | ACTIVE | VSSOP | DGK | 8 | 3500 | Green (RoHS & no Sb/Br) | CU SN | Level-1-260C-UNLIM | -40 to 125 | L0BB | Samples |
| LP2951CMMX-3.3 | NRND | VSSOP | DGK | 8 | 3500 | TBD | Call TI | Call TI | -40 to 125 | L0CB | |
| LP2951CMMX-3.3/NOPB | ACTIVE | VSSOP | DGK | 8 | 3500 | Green (RoHS & no Sb/Br) | CU SN | Level-1-260C-UNLIM | -40 to 125 | L0CB | Samples |
| LP2951CMMX/NOPB | ACTIVE | VSSOP | DGK | 8 | 3500 | Green (RoHS & no Sb/Br) | CU SN | Level-1-260C-UNLIM | -40 to 125 | L0DB | Samples |
| LP2951CMX | NRND | SOIC | D | 8 | 2500 | TBD | Call TI | Call TI | -40 to 125 | 2951 CM>D | |
| LP2951CMX-3.0/NOPB | ACTIVE | SOIC | D | 8 | 2500 | Green (RoHS & no Sb/Br) | CU SN | Level-1-260C-UNLIM | -40 to 125 | 2951C M30>D | Samples |
| LP2951CMX-3.3 | NRND | SOIC | D | 8 | 2500 | TBD | Call TI | Call TI | -40 to 125 | 2951C M33>D | |
| LP2951CMX-3.3/NOPB | ACTIVE | SOIC | D | 8 | 2500 | Green (RoHS & no Sb/Br) | SN CU SN | Level-1-260C-UNLIM | -40 to 125 | 2951C M33>D | Samples |
| LP2951CMX/NOPB | ACTIVE | SOIC | D | 8 | 2500 | Green (RoHS & no Sb/Br) | SN CU SN | Level-1-260C-UNLIM | -40 to 125 | 2951 CM>D | Samples |
| LP2951CN | LIFEBUY | PDIP | P | 8 | 40 | TBD | Call TI | Call TI | -40 to 125 | LP 2951CN | |
| LP2951CN/NOPB | ACTIVE | PDIP | P | 8 | 40 | Green (RoHS & no Sb/Br) | CU SN | Level-1-NA-UNLIM | -40 to 125 | LP 2951CN | Samples |
| LP2951CSD-3.0/NOPB | ACTIVE | WSO | NGT | 8 | 1000 | Green (RoHS & no Sb/Br) | CU SN | Level-1-260C-UNLIM | -40 to 125 | 51AC30B | Samples |

| Orderable Device | Status (1) | Package Type | Package Drawing | Pins | Package Qty | Eco Plan (2) | Lead/Ball Finish (6) | MSL Peak Temp (3) | Op Temp (°C) | Device Marking (4/5) | Samples |
|---------------------|---------------|--------------|-----------------|------|-------------|-------------------------|-------------------------|----------------------|--------------|-------------------------|-------------------------|
| LP2951CSD-3.3/NOPB | ACTIVE | WSON | NGT | 8 | 1000 | Green (RoHS & no Sb/Br) | CU SN | Level-1-260C-UNLIM | -40 to 125 | 51AC33B | Samples |
| LP2951CSD/NOPB | ACTIVE | WSON | NGT | 8 | 1000 | Green (RoHS & no Sb/Br) | CU SN Call TI | Level-1-260C-UNLIM | -40 to 125 | 2951ACB | Samples |
| LP2951CSDX-3.0/NOPB | ACTIVE | WSON | NGT | 8 | 4500 | Green (RoHS & no Sb/Br) | CU SN | Level-1-260C-UNLIM | -40 to 125 | 51AC30B | Samples |
| LP2951CSDX-3.3/NOPB | ACTIVE | WSON | NGT | 8 | 4500 | Green (RoHS & no Sb/Br) | CU SN | Level-1-260C-UNLIM | -40 to 125 | 51AC33B | Samples |
| LP2951CSDX/NOPB | ACTIVE | WSON | NGT | 8 | 4500 | Green (RoHS & no Sb/Br) | CU SN | Level-1-260C-UNLIM | -40 to 125 | 2951ACB | Samples |

(1) The marketing status values are defined as follows:

ACTIVE: Product device recommended for new designs.

LIFEBUY: TI has announced that the device will be discontinued, and a lifetime-buy period is in effect.

NRND: Not recommended for new designs. Device is in production to support existing customers, but TI does not recommend using this part in a new design.

PREVIEW: Device has been announced but is not in production. Samples may or may not be available.

OBSELETE: TI has discontinued the production of the device.

(2) Eco Plan - The planned eco-friendly classification: Pb-Free (RoHS), Pb-Free (RoHS Exempt), or Green (RoHS & no Sb/Br) - please check <http://www.ti.com/productcontent> for the latest availability information and additional product content details.

TBD: The Pb-Free/Green conversion plan has not been defined.

Pb-Free (RoHS): TI's terms "Lead-Free" or "Pb-Free" mean semiconductor products that are compatible with the current RoHS requirements for all 6 substances, including the requirement that lead not exceed 0.1% by weight in homogeneous materials. Where designed to be soldered at high temperatures, TI Pb-Free products are suitable for use in specified lead-free processes.

Pb-Free (RoHS Exempt): This component has a RoHS exemption for either 1) lead-based flip-chip solder bumps used between the die and package, or 2) lead-based die adhesive used between the die and leadframe. The component is otherwise considered Pb-Free (RoHS compatible) as defined above.

Green (RoHS & no Sb/Br): TI defines "Green" to mean Pb-Free (RoHS compatible), and free of Bromine (Br) and Antimony (Sb) based flame retardants (Br or Sb do not exceed 0.1% by weight in homogeneous material)

(3) MSL, Peak Temp. - The Moisture Sensitivity Level rating according to the JEDEC industry standard classifications, and peak solder temperature.

(4) There may be additional marking, which relates to the logo, the lot trace code information, or the environmental category on the device.

(5) Multiple Device Markings will be inside parentheses. Only one Device Marking contained in parentheses and separated by a "~" will appear on a device. If a line is indented then it is a continuation of the previous line and the two combined represent the entire Device Marking for that device.

(6) Lead/Ball Finish - Orderable Devices may have multiple material finish options. Finish options are separated by a vertical ruled line. Lead/Ball Finish values may wrap to two lines if the finish value exceeds the maximum column width.

Important Information and Disclaimer: The information provided on this page represents TI's knowledge and belief as of the date that it is provided. TI bases its knowledge and belief on information provided by third parties, and makes no representation or warranty as to the accuracy of such information. Efforts are underway to better integrate information from third parties. TI has taken and continues to take reasonable steps to provide representative and accurate information but may not have conducted destructive testing or chemical analysis on incoming materials and chemicals. TI and TI suppliers consider certain information to be proprietary, and thus CAS numbers and other limited information may not be available for release.

In no event shall TI's liability arising out of such information exceed the total purchase price of the TI part(s) at issue in this document sold by TI to Customer on an annual basis.

TAPE AND REEL INFORMATION

QUADRANT ASSIGNMENTS FOR PIN 1 ORIENTATION IN TAPE


*All dimensions are nominal

| Device | Package Type | Package Drawing | Pins | SPQ | Reel Diameter (mm) | Reel Width W1 (mm) | A0 (mm) | B0 (mm) | K0 (mm) | P1 (mm) | W (mm) | Pin1 Quadrant |
|----------------------|--------------|-----------------|------|------|--------------------|--------------------|---------|---------|---------|---------|--------|---------------|
| LP2950CDTX-3.0/NOPB | TO-252 | NDP | 3 | 2500 | 330.0 | 16.4 | 6.9 | 10.5 | 2.7 | 8.0 | 16.0 | Q2 |
| LP2950CDTX-3.3/NOPB | TO-252 | NDP | 3 | 2500 | 330.0 | 16.4 | 6.9 | 10.5 | 2.7 | 8.0 | 16.0 | Q2 |
| LP2950CDTX-5.0 | TO-252 | NDP | 3 | 2500 | 330.0 | 16.4 | 6.9 | 10.5 | 2.7 | 8.0 | 16.0 | Q2 |
| LP2950CDTX-5.0/NOPB | TO-252 | NDP | 3 | 2500 | 330.0 | 16.4 | 6.9 | 10.5 | 2.7 | 8.0 | 16.0 | Q2 |
| LP2951ACMM | VSSOP | DGK | 8 | 1000 | 178.0 | 12.4 | 5.3 | 3.4 | 1.4 | 8.0 | 12.0 | Q1 |
| LP2951ACMM-3.0 | VSSOP | DGK | 8 | 1000 | 178.0 | 12.4 | 5.3 | 3.4 | 1.4 | 8.0 | 12.0 | Q1 |
| LP2951ACMM-3.0/NOPB | VSSOP | DGK | 8 | 1000 | 178.0 | 12.4 | 5.3 | 3.4 | 1.4 | 8.0 | 12.0 | Q1 |
| LP2951ACMM-3.3 | VSSOP | DGK | 8 | 1000 | 178.0 | 12.4 | 5.3 | 3.4 | 1.4 | 8.0 | 12.0 | Q1 |
| LP2951ACMM-3.3/NOPB | VSSOP | DGK | 8 | 1000 | 178.0 | 12.4 | 5.3 | 3.4 | 1.4 | 8.0 | 12.0 | Q1 |
| LP2951ACMM/NOPB | VSSOP | DGK | 8 | 1000 | 178.0 | 12.4 | 5.3 | 3.4 | 1.4 | 8.0 | 12.0 | Q1 |
| LP2951ACMMX-3.0 | VSSOP | DGK | 8 | 3500 | 330.0 | 12.4 | 5.3 | 3.4 | 1.4 | 8.0 | 12.0 | Q1 |
| LP2951ACMMX-3.0/NOPB | VSSOP | DGK | 8 | 3500 | 330.0 | 12.4 | 5.3 | 3.4 | 1.4 | 8.0 | 12.0 | Q1 |
| LP2951ACMMX-3.3/NOPB | VSSOP | DGK | 8 | 3500 | 330.0 | 12.4 | 5.3 | 3.4 | 1.4 | 8.0 | 12.0 | Q1 |
| LP2951ACMMX/NOPB | VSSOP | DGK | 8 | 3500 | 330.0 | 12.4 | 5.3 | 3.4 | 1.4 | 8.0 | 12.0 | Q1 |
| LP2951ACMX | SOIC | D | 8 | 2500 | 330.0 | 12.4 | 6.5 | 5.4 | 2.0 | 8.0 | 12.0 | Q1 |
| LP2951ACMX-3.0/NOPB | SOIC | D | 8 | 2500 | 330.0 | 12.4 | 6.5 | 5.4 | 2.0 | 8.0 | 12.0 | Q1 |
| LP2951ACMX-3.3/NOPB | SOIC | D | 8 | 2500 | 330.0 | 12.4 | 6.5 | 5.4 | 2.0 | 8.0 | 12.0 | Q1 |

| Device | Package Type | Package Drawing | Pins | SPQ | Reel Diameter (mm) | Reel Width W1 (mm) | A0 (mm) | B0 (mm) | K0 (mm) | P1 (mm) | W (mm) | Pin1 Quadrant |
|----------------------|--------------|-----------------|------|------|--------------------|--------------------|---------|---------|---------|---------|--------|---------------|
| LP2951ACMX/NOPB | SOIC | D | 8 | 2500 | 330.0 | 12.4 | 6.5 | 5.4 | 2.0 | 8.0 | 12.0 | Q1 |
| LP2951ACSD | WSOSON | NGT | 8 | 1000 | 178.0 | 12.4 | 4.3 | 4.3 | 1.3 | 8.0 | 12.0 | Q1 |
| LP2951ACSD/NOPB | WSOSON | NGT | 8 | 1000 | 178.0 | 12.4 | 4.3 | 4.3 | 1.3 | 8.0 | 12.0 | Q1 |
| LP2951ACSDX-3.3/NOPB | WSOSON | NGT | 8 | 4500 | 330.0 | 12.4 | 4.3 | 4.3 | 1.3 | 8.0 | 12.0 | Q1 |
| LP2951ACSDX/NOPB | WSOSON | NGT | 8 | 4500 | 330.0 | 12.4 | 4.3 | 4.3 | 1.3 | 8.0 | 12.0 | Q1 |
| LP2951CMM | VSSOP | DGK | 8 | 1000 | 178.0 | 12.4 | 5.3 | 3.4 | 1.4 | 8.0 | 12.0 | Q1 |
| LP2951CMM-3.0/NOPB | VSSOP | DGK | 8 | 1000 | 178.0 | 12.4 | 5.3 | 3.4 | 1.4 | 8.0 | 12.0 | Q1 |
| LP2951CMM-3.3/NOPB | VSSOP | DGK | 8 | 1000 | 178.0 | 12.4 | 5.3 | 3.4 | 1.4 | 8.0 | 12.0 | Q1 |
| LP2951CMM/NOPB | VSSOP | DGK | 8 | 1000 | 178.0 | 12.4 | 5.3 | 3.4 | 1.4 | 8.0 | 12.0 | Q1 |
| LP2951CMMX | VSSOP | DGK | 8 | 3500 | 330.0 | 12.4 | 5.3 | 3.4 | 1.4 | 8.0 | 12.0 | Q1 |
| LP2951CMMX-3.0/NOPB | VSSOP | DGK | 8 | 3500 | 330.0 | 12.4 | 5.3 | 3.4 | 1.4 | 8.0 | 12.0 | Q1 |
| LP2951CMMX-3.3 | VSSOP | DGK | 8 | 3500 | 330.0 | 12.4 | 5.3 | 3.4 | 1.4 | 8.0 | 12.0 | Q1 |
| LP2951CMMX-3.3/NOPB | VSSOP | DGK | 8 | 3500 | 330.0 | 12.4 | 5.3 | 3.4 | 1.4 | 8.0 | 12.0 | Q1 |
| LP2951CMMX/NOPB | VSSOP | DGK | 8 | 3500 | 330.0 | 12.4 | 5.3 | 3.4 | 1.4 | 8.0 | 12.0 | Q1 |
| LP2951CMX | SOIC | D | 8 | 2500 | 330.0 | 12.4 | 6.5 | 5.4 | 2.0 | 8.0 | 12.0 | Q1 |
| LP2951CMX-3.0/NOPB | SOIC | D | 8 | 2500 | 330.0 | 12.4 | 6.5 | 5.4 | 2.0 | 8.0 | 12.0 | Q1 |
| LP2951CMX-3.3 | SOIC | D | 8 | 2500 | 330.0 | 12.4 | 6.5 | 5.4 | 2.0 | 8.0 | 12.0 | Q1 |
| LP2951CMX-3.3/NOPB | SOIC | D | 8 | 2500 | 330.0 | 12.4 | 6.5 | 5.4 | 2.0 | 8.0 | 12.0 | Q1 |
| LP2951CMX/NOPB | SOIC | D | 8 | 2500 | 330.0 | 12.4 | 6.5 | 5.4 | 2.0 | 8.0 | 12.0 | Q1 |
| LP2951CSD-3.0/NOPB | WSOSON | NGT | 8 | 1000 | 178.0 | 12.4 | 4.3 | 4.3 | 1.3 | 8.0 | 12.0 | Q1 |
| LP2951CSD-3.3/NOPB | WSOSON | NGT | 8 | 1000 | 178.0 | 12.4 | 4.3 | 4.3 | 1.3 | 8.0 | 12.0 | Q1 |
| LP2951CSD/NOPB | WSOSON | NGT | 8 | 1000 | 178.0 | 12.4 | 4.3 | 4.3 | 1.3 | 8.0 | 12.0 | Q1 |
| LP2951CSDX-3.0/NOPB | WSOSON | NGT | 8 | 4500 | 330.0 | 12.4 | 4.3 | 4.3 | 1.3 | 8.0 | 12.0 | Q1 |
| LP2951CSDX-3.3/NOPB | WSOSON | NGT | 8 | 4500 | 330.0 | 12.4 | 4.3 | 4.3 | 1.3 | 8.0 | 12.0 | Q1 |
| LP2951CSDX/NOPB | WSOSON | NGT | 8 | 4500 | 330.0 | 12.4 | 4.3 | 4.3 | 1.3 | 8.0 | 12.0 | Q1 |

TAPE AND REEL BOX DIMENSIONS


*All dimensions are nominal

| Device | Package Type | Package Drawing | Pins | SPQ | Length (mm) | Width (mm) | Height (mm) |
|----------------------|--------------|-----------------|------|------|-------------|------------|-------------|
| LP2950CDTX-3.0/NOPB | TO-252 | NDP | 3 | 2500 | 367.0 | 367.0 | 38.0 |
| LP2950CDTX-3.3/NOPB | TO-252 | NDP | 3 | 2500 | 367.0 | 367.0 | 38.0 |
| LP2950CDTX-5.0 | TO-252 | NDP | 3 | 2500 | 367.0 | 367.0 | 35.0 |
| LP2950CDTX-5.0/NOPB | TO-252 | NDP | 3 | 2500 | 367.0 | 367.0 | 38.0 |
| LP2951ACMM | VSSOP | DGK | 8 | 1000 | 210.0 | 185.0 | 35.0 |
| LP2951ACMM-3.0 | VSSOP | DGK | 8 | 1000 | 210.0 | 185.0 | 35.0 |
| LP2951ACMM-3.0/NOPB | VSSOP | DGK | 8 | 1000 | 210.0 | 185.0 | 35.0 |
| LP2951ACMM-3.3 | VSSOP | DGK | 8 | 1000 | 210.0 | 185.0 | 35.0 |
| LP2951ACMM-3.3/NOPB | VSSOP | DGK | 8 | 1000 | 210.0 | 185.0 | 35.0 |
| LP2951ACMM/NOPB | VSSOP | DGK | 8 | 1000 | 210.0 | 185.0 | 35.0 |
| LP2951ACMMX-3.0 | VSSOP | DGK | 8 | 3500 | 367.0 | 367.0 | 35.0 |
| LP2951ACMMX-3.0/NOPB | VSSOP | DGK | 8 | 3500 | 367.0 | 367.0 | 35.0 |
| LP2951ACMMX-3.3/NOPB | VSSOP | DGK | 8 | 3500 | 367.0 | 367.0 | 35.0 |
| LP2951ACMMX/NOPB | VSSOP | DGK | 8 | 3500 | 367.0 | 367.0 | 35.0 |
| LP2951ACMX | SOIC | D | 8 | 2500 | 367.0 | 367.0 | 35.0 |
| LP2951ACMX-3.0/NOPB | SOIC | D | 8 | 2500 | 367.0 | 367.0 | 35.0 |
| LP2951ACMX-3.3/NOPB | SOIC | D | 8 | 2500 | 367.0 | 367.0 | 35.0 |
| LP2951ACMX/NOPB | SOIC | D | 8 | 2500 | 367.0 | 367.0 | 35.0 |
| LP2951ACSD | WSON | NGT | 8 | 1000 | 210.0 | 185.0 | 35.0 |
| LP2951ACSD/NOPB | WSON | NGT | 8 | 1000 | 210.0 | 185.0 | 35.0 |

| Device | Package Type | Package Drawing | Pins | SPQ | Length (mm) | Width (mm) | Height (mm) |
|----------------------|--------------|-----------------|------|------|-------------|------------|-------------|
| LP2951ACSDX-3.3/NOPB | WSON | NGT | 8 | 4500 | 367.0 | 367.0 | 35.0 |
| LP2951ACSDX/NOPB | WSON | NGT | 8 | 4500 | 367.0 | 367.0 | 35.0 |
| LP2951CMM | VSSOP | DGK | 8 | 1000 | 210.0 | 185.0 | 35.0 |
| LP2951CMM-3.0/NOPB | VSSOP | DGK | 8 | 1000 | 210.0 | 185.0 | 35.0 |
| LP2951CMM-3.3/NOPB | VSSOP | DGK | 8 | 1000 | 210.0 | 185.0 | 35.0 |
| LP2951CMM/NOPB | VSSOP | DGK | 8 | 1000 | 210.0 | 185.0 | 35.0 |
| LP2951CMMX | VSSOP | DGK | 8 | 3500 | 367.0 | 367.0 | 35.0 |
| LP2951CMMX-3.0/NOPB | VSSOP | DGK | 8 | 3500 | 367.0 | 367.0 | 35.0 |
| LP2951CMMX-3.3 | VSSOP | DGK | 8 | 3500 | 367.0 | 367.0 | 35.0 |
| LP2951CMMX-3.3/NOPB | VSSOP | DGK | 8 | 3500 | 367.0 | 367.0 | 35.0 |
| LP2951CMMX/NOPB | VSSOP | DGK | 8 | 3500 | 367.0 | 367.0 | 35.0 |
| LP2951CMX | SOIC | D | 8 | 2500 | 367.0 | 367.0 | 35.0 |
| LP2951CMX-3.0/NOPB | SOIC | D | 8 | 2500 | 367.0 | 367.0 | 35.0 |
| LP2951CMX-3.3 | SOIC | D | 8 | 2500 | 367.0 | 367.0 | 35.0 |
| LP2951CMX-3.3/NOPB | SOIC | D | 8 | 2500 | 367.0 | 367.0 | 35.0 |
| LP2951CMX/NOPB | SOIC | D | 8 | 2500 | 367.0 | 367.0 | 35.0 |
| LP2951CSD-3.0/NOPB | WSON | NGT | 8 | 1000 | 210.0 | 185.0 | 35.0 |
| LP2951CSD-3.3/NOPB | WSON | NGT | 8 | 1000 | 210.0 | 185.0 | 35.0 |
| LP2951CSD/NOPB | WSON | NGT | 8 | 1000 | 210.0 | 185.0 | 35.0 |
| LP2951CSDX-3.0/NOPB | WSON | NGT | 8 | 4500 | 367.0 | 367.0 | 35.0 |
| LP2951CSDX-3.3/NOPB | WSON | NGT | 8 | 4500 | 367.0 | 367.0 | 35.0 |
| LP2951CSDX/NOPB | WSON | NGT | 8 | 4500 | 367.0 | 367.0 | 35.0 |

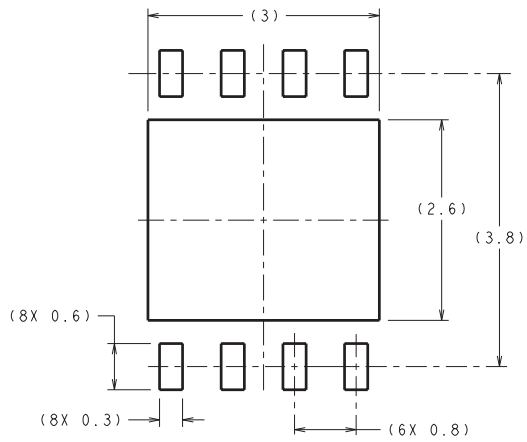
P (R-PDIP-T8)

PLASTIC DUAL-IN-LINE PACKAGE

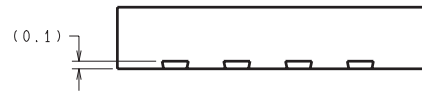


- NOTES:
- A. All linear dimensions are in inches (millimeters).
 - B. This drawing is subject to change without notice.
 - C. Falls within JEDEC MS-001 variation BA.

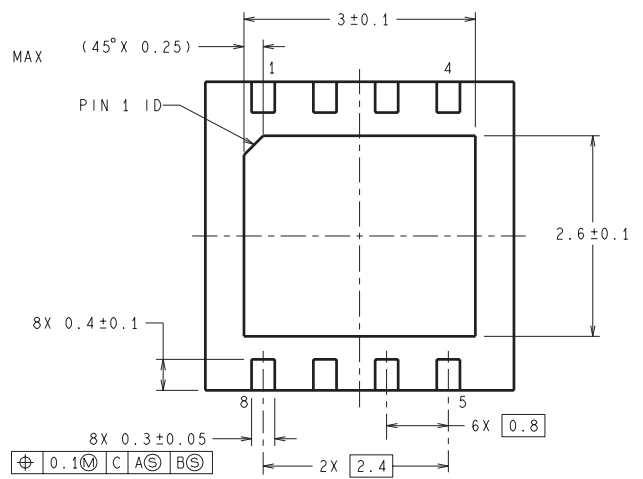
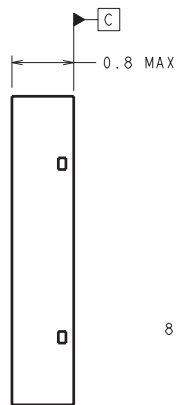
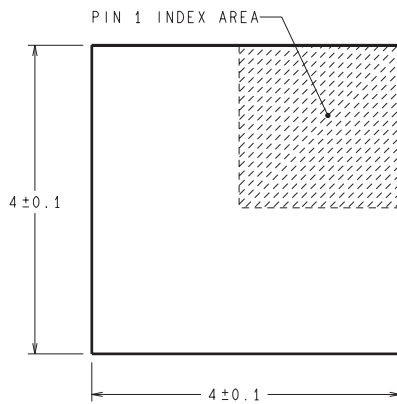
NGT0008A



DIMENSIONS ARE IN MILLIMETERS
DIMENSIONS IN () FOR REFERENCE ONLY



RECOMMENDED LAND PATTERN

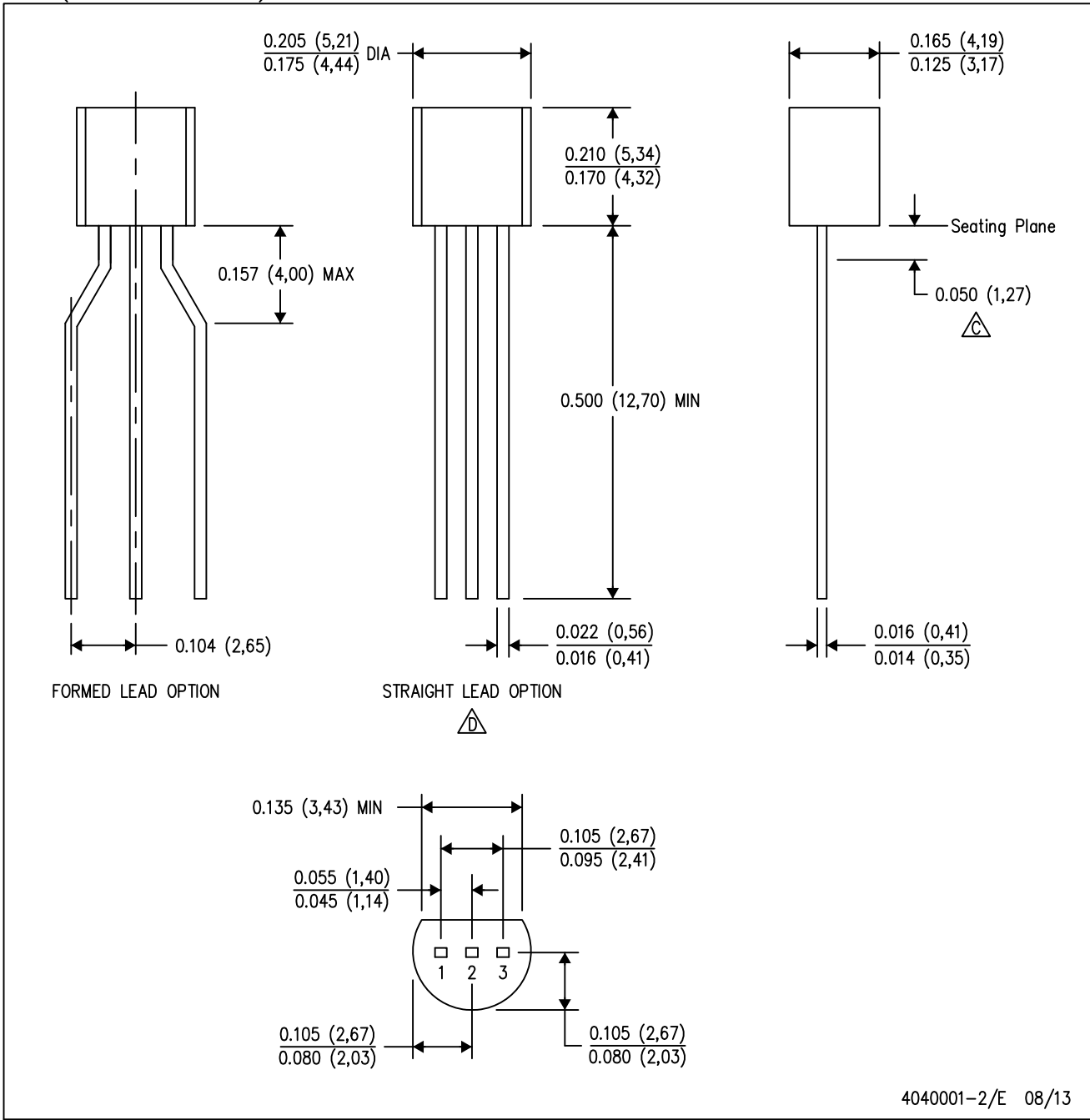


SDC08A (Rev A)



MECHANICAL DATA

LP (O-PBCY-W3)

PLASTIC CYLINDRICAL PACKAGE



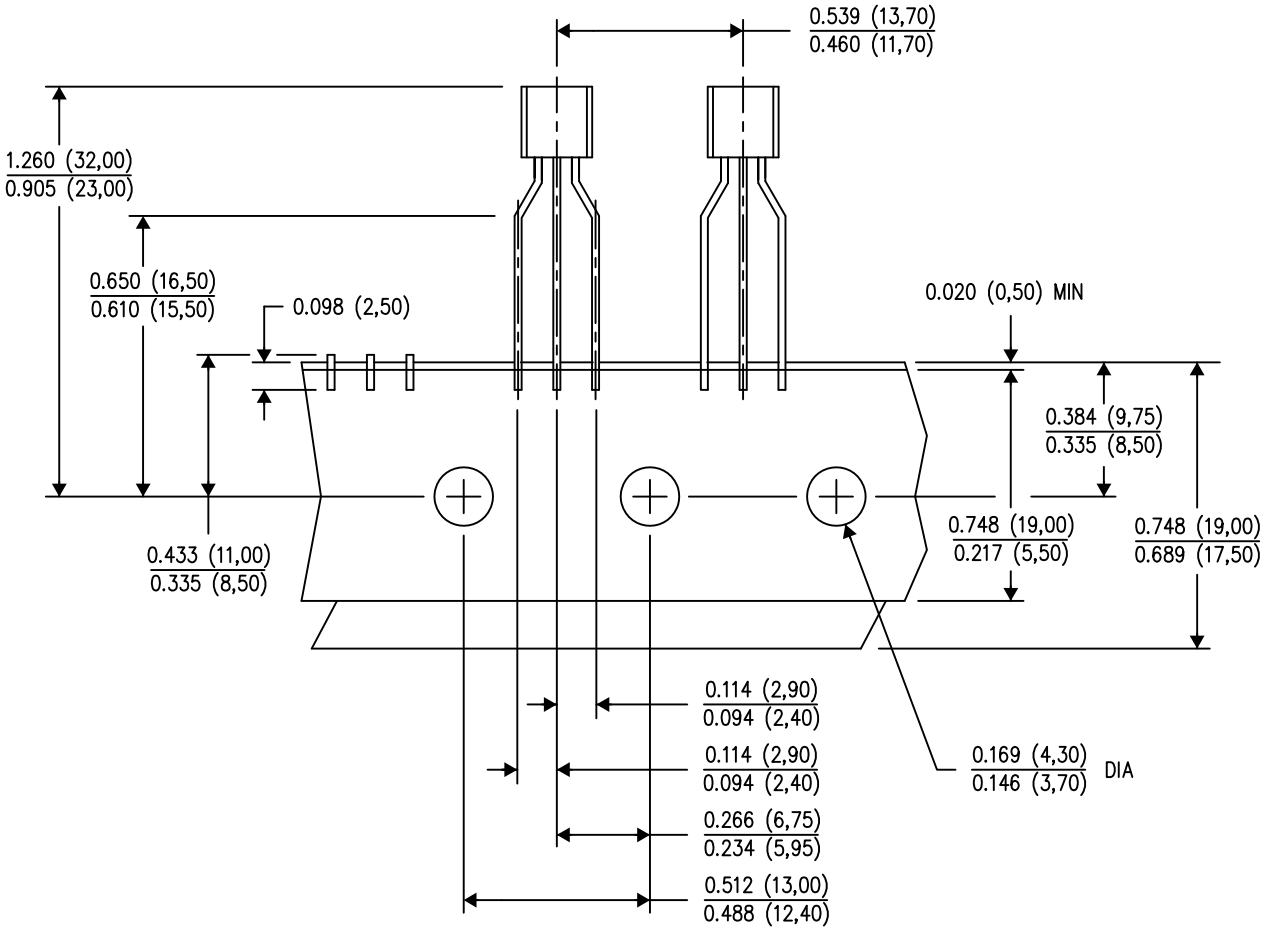
4040001-2/E 08/13

- NOTES:
- A. All linear dimensions are in inches (millimeters).
 - B. This drawing is subject to change without notice.
 -  Lead dimensions are not controlled within this area.
 -  Falls within JEDEC TO-226 Variation AA (TO-226 replaces TO-92).
 - E. Shipping Method:
 Straight lead option available in bulk pack only.
 Formed lead option available in tape & reel or ammo pack.
 Specific products can be offered in limited combinations of shipping mediums and lead options.
 Consult product folder for more information on available options.

MECHANICAL DATA

LP (O-PBCY-W3)

PLASTIC CYLINDRICAL PACKAGE



TAPE & REEL

4040001-3/E 08/13

- NOTES:
- A. All linear dimensions are in inches (millimeters).
 - B. This drawing is subject to change without notice.
 - C. Tape and Reel information for the Formed Lead Option package.

IMPORTANT NOTICE

Texas Instruments Incorporated and its subsidiaries (TI) reserve the right to make corrections, enhancements, improvements and other changes to its semiconductor products and services per JESD46, latest issue, and to discontinue any product or service per JESD48, latest issue. Buyers should obtain the latest relevant information before placing orders and should verify that such information is current and complete. All semiconductor products (also referred to herein as "components") are sold subject to TI's terms and conditions of sale supplied at the time of order acknowledgment.

TI warrants performance of its components to the specifications applicable at the time of sale, in accordance with the warranty in TI's terms and conditions of sale of semiconductor products. Testing and other quality control techniques are used to the extent TI deems necessary to support this warranty. Except where mandated by applicable law, testing of all parameters of each component is not necessarily performed.

TI assumes no liability for applications assistance or the design of Buyers' products. Buyers are responsible for their products and applications using TI components. To minimize the risks associated with Buyers' products and applications, Buyers should provide adequate design and operating safeguards.

TI does not warrant or represent that any license, either express or implied, is granted under any patent right, copyright, mask work right, or other intellectual property right relating to any combination, machine, or process in which TI components or services are used. Information published by TI regarding third-party products or services does not constitute a license to use such products or services or a warranty or endorsement thereof. Use of such information may require a license from a third party under the patents or other intellectual property of the third party, or a license from TI under the patents or other intellectual property of TI.

Reproduction of significant portions of TI information in TI data books or data sheets is permissible only if reproduction is without alteration and is accompanied by all associated warranties, conditions, limitations, and notices. TI is not responsible or liable for such altered documentation. Information of third parties may be subject to additional restrictions.

Resale of TI components or services with statements different from or beyond the parameters stated by TI for that component or service voids all express and any implied warranties for the associated TI component or service and is an unfair and deceptive business practice. TI is not responsible or liable for any such statements.

Buyer acknowledges and agrees that it is solely responsible for compliance with all legal, regulatory and safety-related requirements concerning its products, and any use of TI components in its applications, notwithstanding any applications-related information or support that may be provided by TI. Buyer represents and agrees that it has all the necessary expertise to create and implement safeguards which anticipate dangerous consequences of failures, monitor failures and their consequences, lessen the likelihood of failures that might cause harm and take appropriate remedial actions. Buyer will fully indemnify TI and its representatives against any damages arising out of the use of any TI components in safety-critical applications.

In some cases, TI components may be promoted specifically to facilitate safety-related applications. With such components, TI's goal is to help enable customers to design and create their own end-product solutions that meet applicable functional safety standards and requirements. Nonetheless, such components are subject to these terms.

No TI components are authorized for use in FDA Class III (or similar life-critical medical equipment) unless authorized officers of the parties have executed a special agreement specifically governing such use.

Only those TI components which TI has specifically designated as military grade or "enhanced plastic" are designed and intended for use in military/aerospace applications or environments. Buyer acknowledges and agrees that any military or aerospace use of TI components which have **not** been so designated is solely at the Buyer's risk, and that Buyer is solely responsible for compliance with all legal and regulatory requirements in connection with such use.

TI has specifically designated certain components as meeting ISO/TS16949 requirements, mainly for automotive use. In any case of use of non-designated products, TI will not be responsible for any failure to meet ISO/TS16949.

Products

| | |
|------------------------------|--|
| Audio | www.ti.com/audio |
| Amplifiers | amplifier.ti.com |
| Data Converters | dataconverter.ti.com |
| DLP® Products | www.dlp.com |
| DSP | dsp.ti.com |
| Clocks and Timers | www.ti.com/clocks |
| Interface | interface.ti.com |
| Logic | logic.ti.com |
| Power Mgmt | power.ti.com |
| Microcontrollers | microcontroller.ti.com |
| RFID | www.ti-rfid.com |
| OMAP Applications Processors | www.ti.com/omap |
| Wireless Connectivity | www.ti.com/wirelessconnectivity |

Applications

| | |
|-------------------------------|--|
| Automotive and Transportation | www.ti.com/automotive |
| Communications and Telecom | www.ti.com/communications |
| Computers and Peripherals | www.ti.com/computers |
| Consumer Electronics | www.ti.com/consumer-apps |
| Energy and Lighting | www.ti.com/energy |
| Industrial | www.ti.com/industrial |
| Medical | www.ti.com/medical |
| Security | www.ti.com/security |
| Space, Avionics and Defense | www.ti.com/space-avionics-defense |
| Video and Imaging | www.ti.com/video |

TI E2E Community

e2e.ti.com