

## 30A SIMPLE SWITCHER® Power Module with 3.0V-14.5V Input in QFN Package

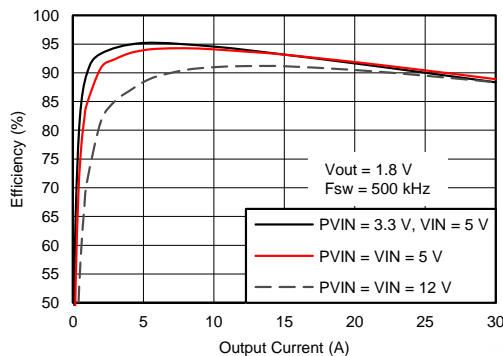
Check for Samples: [LMZ31530](#)

### FEATURES

- Complete Integrated Power Solution; Smaller than a Discrete Design
- 15 mm × 16 mm × 5.8 mm Package Size - Pin Compatible with LMZ31520
- Ultra-Fast Load Step Response
- Efficiencies Up To 96%
- Wide-Output Voltage Adjust 0.6 V to 3.6 V, with 1% Reference Accuracy
- Optional Split Power Rails Allows Input Voltage Down to 3.0V
- Selectable Switching Frequency; (300 kHz to 850 kHz)
- Selectable Slow-Start
- Adjustable Over Current Limit
- Power Good Output
- Output Voltage Sequencing
- Over Temperature Protection
- Pre-bias Output Start-up
- Operating Temperature Range: –40°C to 85°C
- Enhanced Thermal Performance: 8.6°C/W
- Meets EN55022 Class A Emissions - Integrated Shielded Inductor

### APPLICATIONS

- Broadband and Communications Infrastructure
- DSP and FPGA Point of Load Applications
- High Density Power Systems

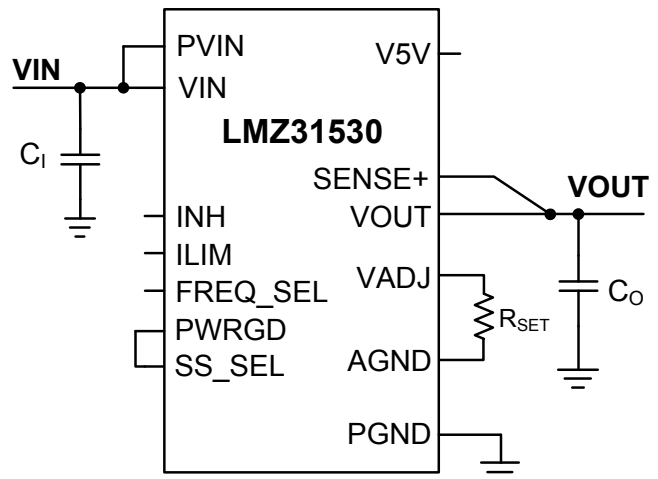


### DESCRIPTION

The LMZ31530 SIMPLE SWITCHER® power module is an easy-to-use integrated power solution that combines a 30-A DC/DC converter with power MOSFETs, a shielded inductor, and passives into a low profile, QFN package. This total power solution allows as few as three external components and eliminates the loop compensation and magnetics part selection process.

The 15x16x5.8 mm, QFN package is easy to solder onto a printed circuit board and allows a compact point-of-load design. Achieves greater than 95% efficiency, has ultra-fast load step response and excellent power dissipation capability with a thermal impedance of 8.6°C/W. The LMZ31530 offers the flexibility and the feature-set of a discrete point-of-load design and is ideal for powering a wide range of ICs and systems. Advanced packaging technology affords a robust and reliable power solution compatible with standard QFN mounting and testing techniques.

### SIMPLIFIED APPLICATION



Please be aware that an important notice concerning availability, standard warranty, and use in critical applications of Texas Instruments semiconductor products and disclaimers thereto appears at the end of this data sheet.

is a trademark of ~ Texas Instruments.



This integrated circuit can be damaged by ESD. Texas Instruments recommends that all integrated circuits be handled with appropriate precautions. Failure to observe proper handling and installation procedures can cause damage.

ESD damage can range from subtle performance degradation to complete device failure. Precision integrated circuits may be more susceptible to damage because very small parametric changes could cause the device not to meet its published specifications.

## ABSOLUTE MAXIMUM RATINGS<sup>(1)</sup>

over operating temperature range (unless otherwise noted)		VALUE		UNIT
		MIN	MAX	
Input Voltage	VIN, PVIN	-0.3	20	V
	INH, VADJ, PWRGD, PWRGD_PU, ILIM, FREQ_SEL, SS_SEL, V5V	-0.3	7	V
Output Voltage	PH	-1	25	V
	PH 10ns Transient	-2	27	
	VOUT	-0.3	6	V
V <sub>DIFF</sub> (GND to exposed thermal pad)			±200	mV
Operating Junction Temperature		-40	125 <sup>(2)</sup>	°C
Storage Temperature		-55	150	°C
Mechanical Shock	Mil-STD-883D, Method 2002.3, 1 msec, 1/2 sine, mounted		250	G
Mechanical Vibration	Mil-STD-883D, Method 2007.2, 20-2000Hz		20	

(1) Stresses beyond those listed under absolute maximum ratings may cause permanent damage to the device. These are stress ratings only, and functional operation of the device at these or any other conditions beyond those indicated under recommended operating conditions is not implied. Exposure to absolute-maximum-rated conditions for extended periods may affect device reliability.

(2) See the temperature derating curves in the Typical Characteristics section for thermal information.

## RECOMMENDED OPERATING CONDITIONS

over operating free-air temperature range (unless otherwise noted)		MIN	MAX	UNIT
PV <sub>IN</sub>	Input Switching Voltage	3.0	14.5	V
V <sub>IN</sub>	Input Bias Voltage	4.5	14.5	V
V <sub>OUT</sub>	Output Voltage	0.6	3.6	V
f <sub>SW</sub>	Switching Frequency	300	850	kHz

## ORDERING INFORMATION

For the most current package and ordering information, see the Package Option Addendum at the end of this datasheet, or see the TI website at [www.ti.com](http://www.ti.com).

**THERMAL INFORMATION**

THERMAL METRIC <sup>(1)</sup>			LMZ31530	UNIT
			RLG	
			72 PINS	
$\theta_{JA}$	Junction-to-ambient thermal resistance <sup>(2)</sup>	Natural Convection	8.6	°C/W
$\theta_{JA(100LFM)}$	Junction-to-ambient thermal resistance <sup>(3)</sup>	100 LFM	7.8	
$\psi_{JT}$	Junction-to-top characterization parameter <sup>(4)</sup>		1.6	
$\psi_{JB}$	Junction-to-board characterization parameter <sup>(5)</sup>		4.2	

- (1) For more information about traditional and new thermal metrics, see the IC Package Thermal Metrics application report, [SPRA953](#).
- (2) The junction-to-ambient thermal resistance,  $\theta_{JA}$ , applies to devices soldered directly to a 100 mm x 100 mm, 6-layer PCB with 1 oz. copper and natural convection cooling. Additional airflow reduces  $\theta_{JA}$ .
- (3) The junction-to-ambient thermal resistance,  $\theta_{JA}$ , applies to devices soldered directly to a 100 mm x 100 mm, 6-layer PCB with 1 oz. copper and 100 LFM forced air cooling. Additional airflow reduces  $\theta_{JA}$ .
- (4) The junction-to-top characterization parameter,  $\psi_{JT}$ , estimates the junction temperature,  $T_J$ , of a device in a real system, using a procedure described in JESD51-2A (sections 6 and 7).  $T_J = \psi_{JT} * P_{dis} + T_T$ ; where  $P_{dis}$  is the power dissipated in the device and  $T_T$  is the temperature of the top of the device.
- (5) The junction-to-board characterization parameter,  $\psi_{JB}$ , estimates the junction temperature,  $T_J$ , of a device in a real system, using a procedure described in JESD51-2A (sections 6 and 7).  $T_J = \psi_{JB} * P_{dis} + T_B$ ; where  $P_{dis}$  is the power dissipated in the device and  $T_B$  is the temperature of the board 1mm from the device.

**PACKAGE SPECIFICATIONS**

LMZ31530		UNIT
Weight		4.96 grams
Flammability	Meets UL 94 V-O	
MTBF Calculated reliability	Per Bellcore TR-332, 50% stress, $T_A = 40^\circ\text{C}$ , ground benign	26.5 Mhrs

## ELECTRICAL CHARACTERISTICS

$T_A = -40^\circ\text{C}$  to  $85^\circ\text{C}$ ,  $P_{VIN} = V_{IN} = 12\text{ V}$ ,  $V_{OUT} = 1.8\text{ V}$ ,  $I_{OUT} = 30\text{ A}$

$C_{IN} = 2 \times 22\ \mu\text{F}$  ceramic &  $330\ \mu\text{F}$  bulk,  $C_{OUT} = 4 \times 100\ \mu\text{F}$  ceramic (unless otherwise noted)

PARAMETER	TEST CONDITIONS	MIN	TYP	MAX	UNIT		
$I_{OUT}$	Output current	0		30	A		
$V_{IN}$	Input bias voltage range	Over $I_{OUT}$ range		4.5	14.5	V	
$P_{VIN}$	Input switching voltage range	Over $I_{OUT}$ range		3.0 <sup>(1)</sup>	14.5	V	
UVLO	VIN Undervoltage lockout	VIN Increasing		4.0	4.2	4.33	V
		Hysteresis		0.25			
$V_{OUT(Adj)}$	Output voltage adjust range	Over $I_{OUT}$ range		0.6	3.6	V	
$V_{OUT}$	Set-point voltage tolerance			$\pm 1.0\%$ <sup>(2)</sup>			
	Temperature variation	$-40^\circ\text{C} \leq T_A \leq +85^\circ\text{C}$		$\pm 0.25\%$			
	Load regulation	Over $I_{OUT}$ range		+0.4%			
	Total output voltage variation	Includes set-point, load, and temperature variation		$\pm 2.0\%$ <sup>(2)</sup>			
Line regulation	$P_{VIN} \pm 10\%$		$\pm 0.1\%$				
	Over $P_{VIN}$ range		$\pm 0.7\%$				
$\eta$	Efficiency	$P_{VIN} = V_{IN} = 12\text{ V}$ $I_O = 15\text{ A}$	$V_{OUT} = 3.3\text{ V}$ , $f_{SW} = 500\text{kHz}$	94	%		
			$V_{OUT} = 1.8\text{ V}$ , $f_{SW} = 500\text{kHz}$	92			
			$V_{OUT} = 1.2\text{ V}$ , $f_{SW} = 500\text{kHz}$	88			
			$V_{OUT} = 0.9\text{ V}$ , $f_{SW} = 500\text{kHz}$	86			
			$V_{OUT} = 0.6\text{ V}$ , $f_{SW} = 500\text{kHz}$	82			
		$P_{VIN} = V_{IN} = 5\text{ V}$ $I_O = 15\text{ A}$	$V_{OUT} = 3.3\text{ V}$ , $f_{SW} = 500\text{kHz}$	96	%		
			$V_{OUT} = 1.8\text{ V}$ , $f_{SW} = 500\text{kHz}$	94			
			$V_{OUT} = 1.2\text{ V}$ , $f_{SW} = 500\text{kHz}$	91			
			$V_{OUT} = 0.9\text{ V}$ , $f_{SW} = 500\text{kHz}$	88			
			$V_{OUT} = 0.6\text{ V}$ , $f_{SW} = 500\text{kHz}$	85			
Output voltage ripple	20 MHz bandwidth		1%		$V_{OUT}$		
$I_{LIM}$	Current limit threshold		40		A		
Transient response	2.5 A/ $\mu\text{s}$ load step from 25 to 75% $I_{OUT(max)}$	Recovery time	30		$\mu\text{s}$		
		$V_{OUT}$ over/undershoot	30		mV		
$V_{INH}$	Inhibit Control	Inhibit High Voltage	1.8	Open <sup>(3)</sup>	V		
		Inhibit Low Voltage	-0.3	0.6	V		
$I_{IN(stby)}$	VIN standby current	INH pin to AGND	$V_{IN} = 5\text{ V}$	0.5	0.7	mA	
			$V_{IN} = 12\text{ V}$	1.2	1.5	mA	
Power Good	PWRGD Thresholds	$V_{OUT}$ rising	Good	95	%		
			Fault	115			
		$V_{OUT}$ falling	Fault	90			
			Good	110			
PWRGD Low Voltage	$I(PWRGD) = 2\text{ mA}$	0.2	0.3	V			
$f_{SW}$	Switching frequency	FREQ_SEL pin OPEN, $I_{OUT} = 10\text{ A}$		470	520	570	kHz
$f_{SEL}$	Frequency Select <sup>(4)</sup>	66 k $\Omega$ resistor between FREQ_SEL pin and PGND		300		kHz	
		FREQ_SEL pin connected to V5V (pin 61)		850		kHz	
Thermal Shutdown	Thermal Shutdown	Thermal shutdown		145		$^\circ\text{C}$	
		Thermal shutdown hysteresis		10		$^\circ\text{C}$	
$C_{IN}$	External input capacitance	Ceramic	44 <sup>(5)</sup>	94	$\mu\text{F}$		
		Non-ceramic		330			

(1) The minimum  $P_{VIN}$  voltage is 3.0V or ( $V_{OUT} + 1.1\text{V}$ ), whichever is greater. See [VIN and PVIN Input Voltage](#) for more details.

(2) The stated limit of the set-point voltage tolerance includes the tolerance of both the internal voltage reference and the internal adjustment resistor. The overall output voltage tolerance will be affected by the tolerance of the external  $R_{SET}$  resistor.

(3) This pin has an internal pull-up. If this pin is left open circuit, the device operates when a valid input voltage is applied. A small, low-leakage (<300nA) MOSFET is recommended for control.

(4) See the [Frequency Select](#) section for more information on selecting the frequency.

(5) A minimum of 44  $\mu\text{F}$  ( $2 \times 22\ \mu\text{F}$ ) of external ceramic capacitance is required across the input ( $P_{VIN}/V_{IN}$  and PGND connected) for proper operation. Locate the capacitor close to the device. See [Table 3](#) for more details. When operating with split VIN and PVIN rails, place 4.7  $\mu\text{F}$  of ceramic capacitance directly at the VIN pin to PGND.

**ELECTRICAL CHARACTERISTICS (continued)**

T<sub>A</sub> = -40°C to 85°C, P<sub>VIN</sub> = V<sub>IN</sub> = 12 V, V<sub>OUT</sub> = 1.8 V, I<sub>OUT</sub> = 30A

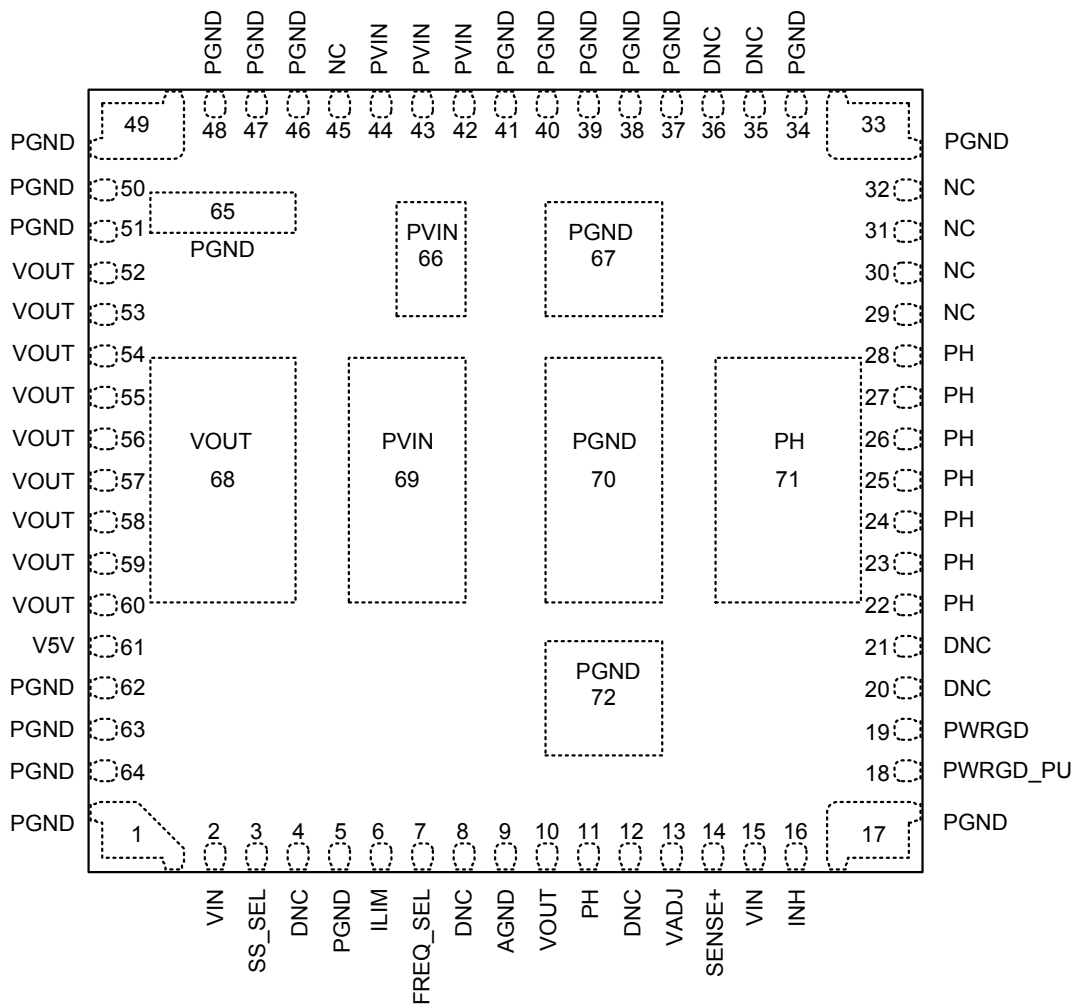
C<sub>IN</sub> = 2x 22 µF ceramic & 330 µF bulk, C<sub>OUT</sub> = 4x 100 µF ceramic (unless otherwise noted)

PARAMETER	TEST CONDITIONS	MIN	TYP	MAX	UNIT
C <sub>OUT</sub>	External output capacitance	100 <sup>(6)</sup>	400	5000	µF

(6) A minimum of 100 µF of ceramic capacitance is required at the output. Locate the capacitance close to the device. Adding additional capacitance close to the load improves the response of the regulator to load transients and reduces ripple. See Table 3 for more details.

**DEVICE INFORMATION**

**RLG PACKAGE  
(TOP VIEW)**



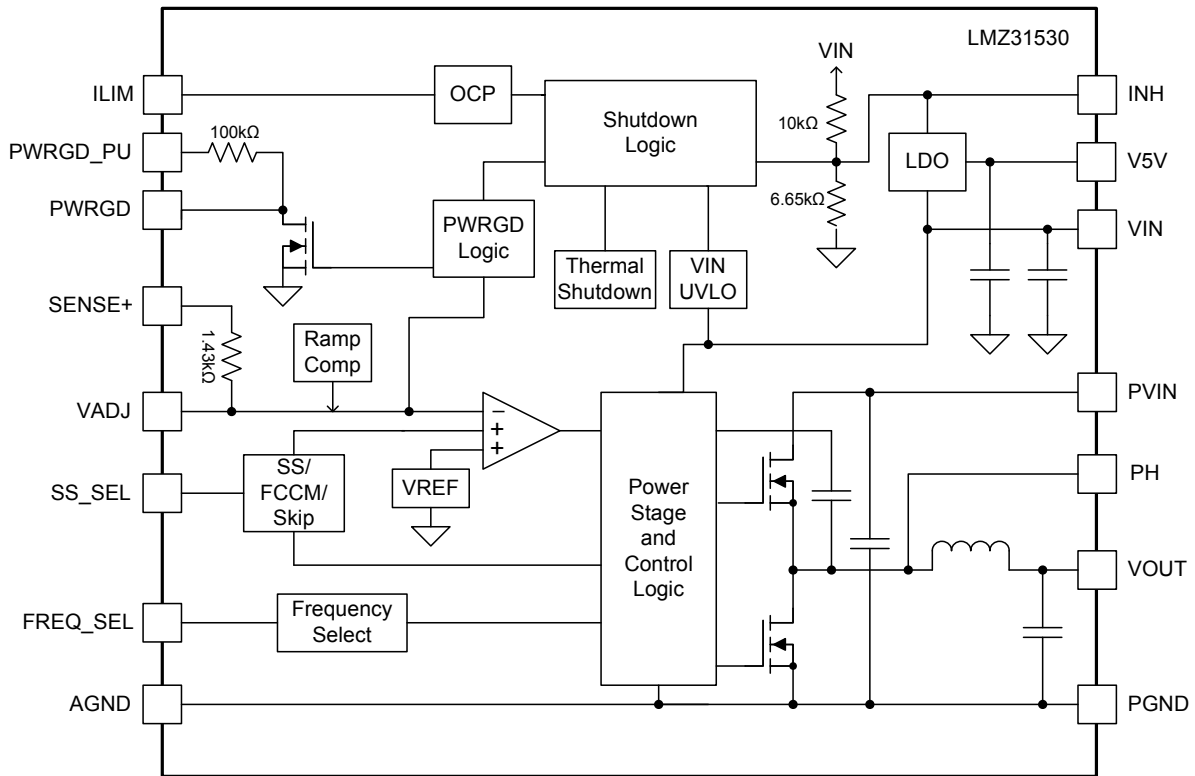
### PIN DESCRIPTIONS

TERMINAL		DESCRIPTION
NAME	NO.	
AGND	9	This pin is connected internally to the power ground of the device. This pin should only be used as the zero volt ground reference for connecting the voltage setting resistor ( $R_{SET}$ ). Do not connect AGND to PGND. See Layout Recommendations.
DNC	4	Do Not Connect. Do not connect these pins to AGND, to another DNC pin, or to any other voltage. These pins are connected to internal circuitry. Each pin must be soldered to an isolated pad.
	8	
	12	
	20	
	21	
	35	
	36	
FREQ_SEL	7	Frequency Select pin. Leave this pin open (floating) to select 500 kHz (typ) operating frequency. Connect this pin to V5V pin to select 850 kHz (typ) operating frequency. Connect a 66 k $\Omega$ resistor between this pin and PGND to select 300 kHz (typ) operating frequency. See Table 2 for more info.
ILIM	6	Current limit setting pin. Connecting a resistor between this pin and PGND sets the current limit. When left open, refer to the Electrical Characterization table for current limit value.
INH	16	Inhibit pin. Use an open drain or open collector logic device to ground this pin to control the INH function.
NC	29	Not Connected. These pins are internally isolated from any signal and all other pins. Each pin must be soldered to a pad on the PCB. These pins can be left isolated, connected to one another, or connected to any signal on the PCB.
	30	
	31	
	32	
	45	
PGND	1	This is the return current path for the power stage of the device. Connect these pins to the load and to the bypass capacitors associated with VIN and VOUT. Pads 65, 67, 70, and 72 should be connected to PCB ground planes using multiple vias for good thermal performance. Not all pins are connected together internally. All pins must be connected together externally with a copper plane or pour directly under the device.
	5	
	17	
	33	
	34	
	37	
	38	
	39	
	40	
	41	
	46	
	47	
	48	
	49	
	50	
	51	
62		
63		
64		
65		
67		
70		
72		

**PIN DESCRIPTIONS (continued)**

TERMINAL		DESCRIPTION
NAME	NO.	
PH	11	Phase switch node. Do not place any external component on these pins or tie them to a pin of another function. Connect these pins using a copper area beneath pad 71.
	22	
	23	
	24	
	25	
	26	
	27	
	28	
	71	
PVIN	42	Input switching voltage pin. This pin supplies voltage to the power switches of the converter.
	43	
	44	
	66	
	69	
PWRGD	19	Power Good flag pin. This open drain output asserts low if the output voltage is more than approximately $\pm 6\%$ out of regulation.
PWRGD_PU	18	Power Good pull-up pin. This pin is connected to a 100k $\Omega$ resistor which is tied to the PWRGD pin internally. Connect this pin to V5V or to any voltage between 1.3V and 6.5V.
SENSE+	14	Remote sense connection. Connect this pin to VOUT at the load for improved regulation. This pin must be connected to VOUT at the load, or at the module pins.
SS_SEL	3	Slow-start select pin. Connect a resistor between this pin and PWRGD (or PGND) to select the slow-start time. See the SS_SEL section of the datasheet for slow-start times and corresponding resistor values. Connect the SS_SEL pin to PGND to select Auto-skip Eco-mode or to the PWRGD pin (pin 19) to select FCCM.
V5V	61	5V regulator pin. This regulator supplies the internal circuitry.
VADJ	13	Output voltage adjust pin. Connecting a resistor between this pin and AGND sets the output voltage.
VIN	2	Input bias voltage pins. Supplies the control circuitry of the power converter.
	15	
VOUT	10	Output voltage. These pins are connected to the internal output inductor. Connect these pins to the output load and connect external bypass capacitors between these pins and PGND.
	52	
	53	
	54	
	55	
	56	
	57	
	58	
	59	
	60	
68		

FUNCTIONAL BLOCK DIAGRAM



TYPICAL CHARACTERISTICS (P<sub>VIN</sub> = V<sub>IN</sub> = 12 V) <sup>(1)</sup> <sup>(2)</sup>

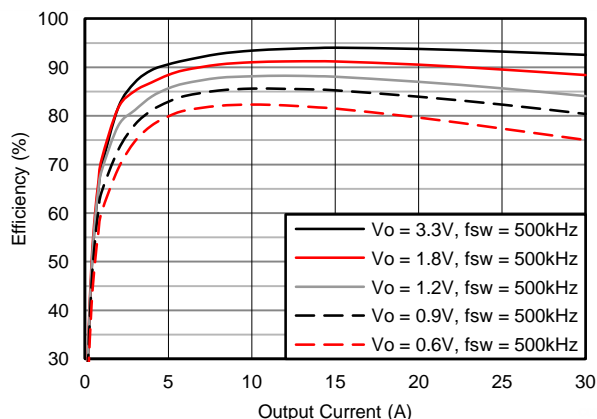


Figure 1. Efficiency vs. Output Current

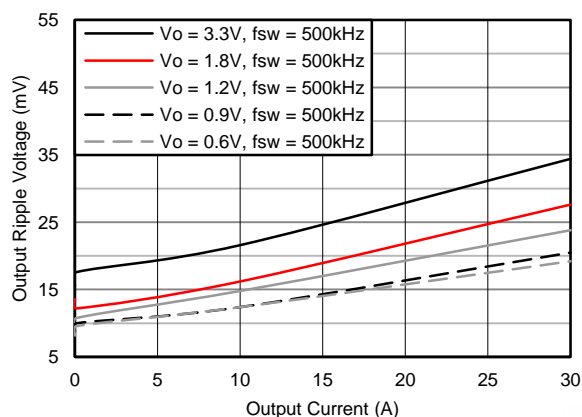


Figure 2. Voltage Ripple vs. Output Current

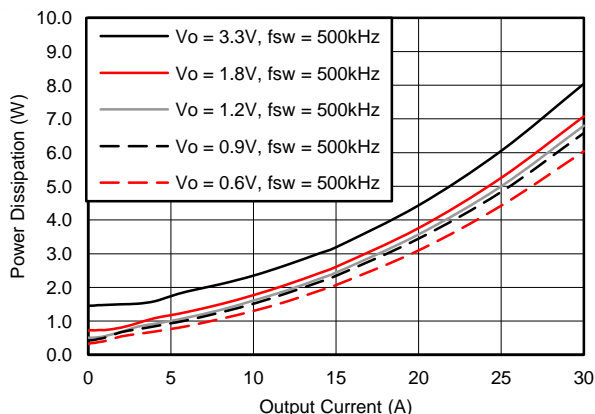


Figure 3. Power Dissipation vs. Output Current

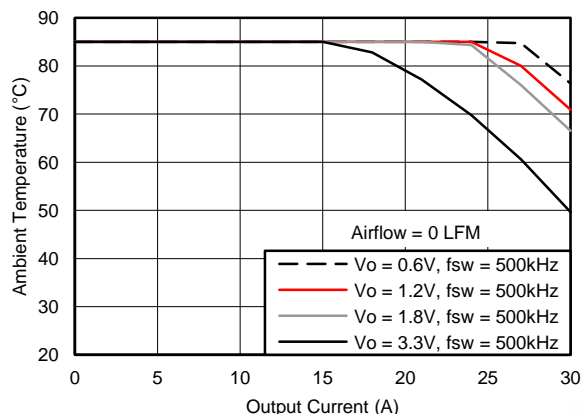


Figure 4. Safe Operating Area (0 LFM)

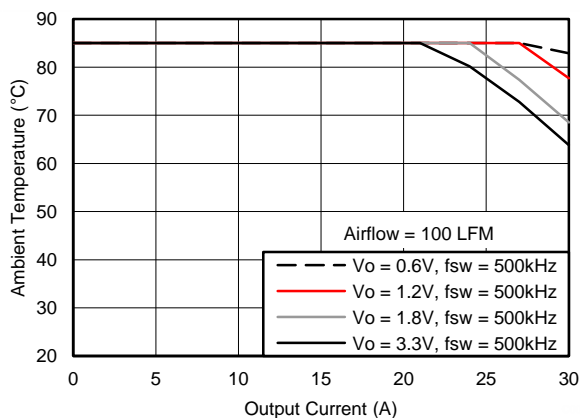


Figure 5. Safe Operating Area (100 LFM)

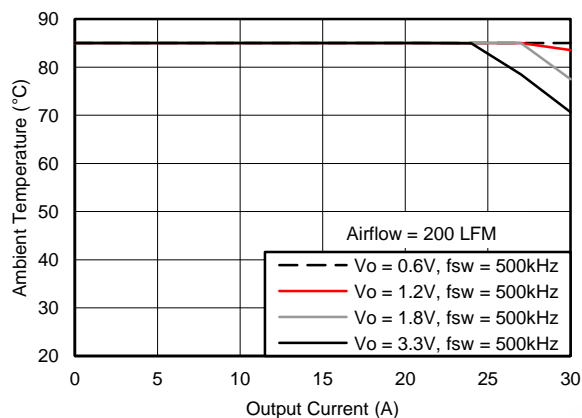


Figure 6. Safe Operating Area (200 LFM)

- (1) The electrical characteristic data has been developed from actual products tested at 25°C. This data is considered typical for the converter. Applies to [Figure 1](#), [Figure 2](#), and [Figure 3](#).
- (2) The temperature derating curves represent the conditions at which internal components are at or below the manufacturer's maximum operating temperatures. Derating limits apply to devices soldered directly to a 100 mm x 100 mm six-layer PCB with 1 oz. copper. Applies to [Figure 4](#), [Figure 5](#), and [Figure 6](#).

TYPICAL CHARACTERISTICS (P<sub>VIN</sub> = V<sub>IN</sub> = 5 V) <sup>(1)</sup> <sup>(2)</sup>

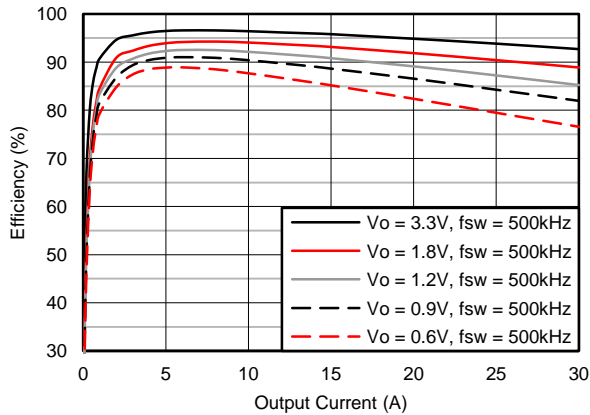


Figure 7. Efficiency vs. Output Current

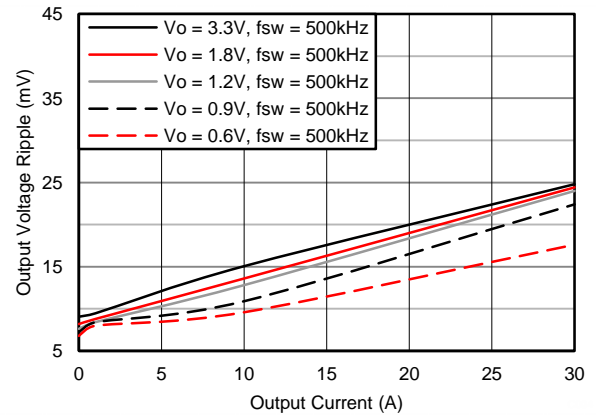


Figure 8. Voltage Ripple vs. Output Current

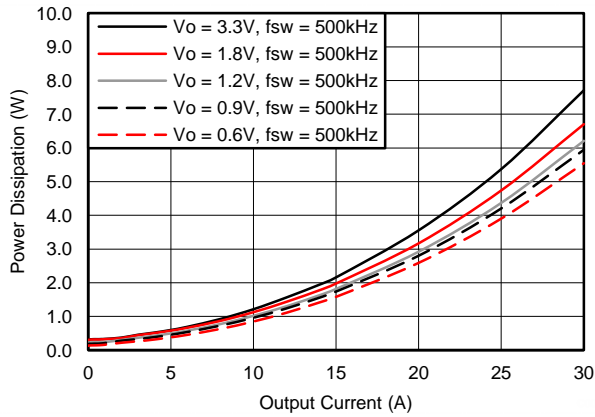


Figure 9. Power Dissipation vs. Output Current

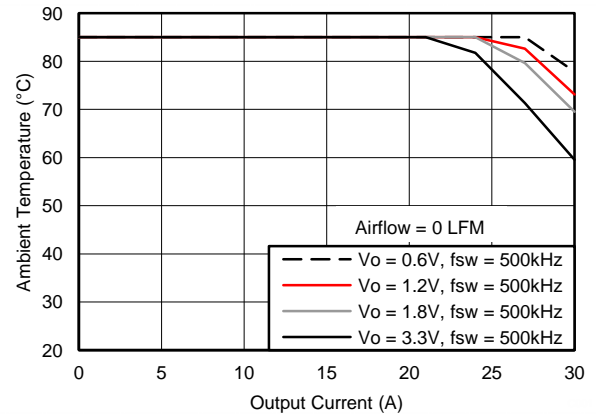


Figure 10. Safe Operating Area (0 LFM)

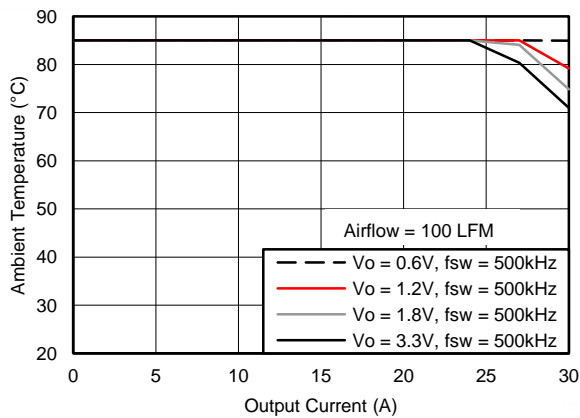


Figure 11. Safe Operating Area (100 LFM)

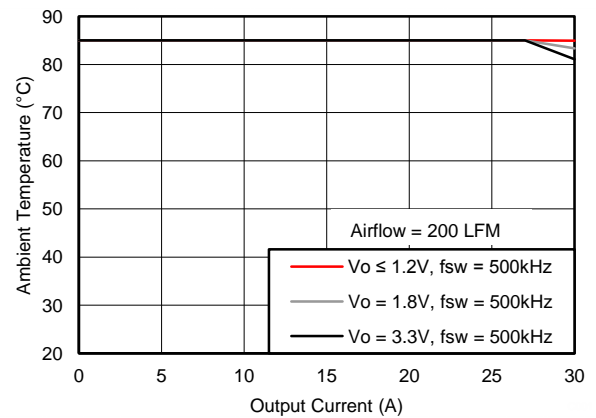


Figure 12. Safe Operating Area (200 LFM)

- (1) The electrical characteristic data has been developed from actual products tested at 25°C. This data is considered typical for the converter. Applies to [Figure 7](#), [Figure 8](#), and [Figure 9](#).
- (2) The temperature derating curves represent the conditions at which internal components are at or below the manufacturer's maximum operating temperatures. Derating limits apply to devices soldered directly to a 100 mm × 100 mm six-layer PCB with 1 oz. copper. Applies to [Figure 10](#), [Figure 11](#), and [Figure 12](#).

## APPLICATION INFORMATION

### ADJUSTING THE OUTPUT VOLTAGE

The V<sub>ADJ</sub> control sets the output voltage of the LMZ31530. The output voltage adjustment range is from 0.6V to 3.6V. The adjustment method requires the addition of R<sub>SET</sub>, which sets the output voltage, and the connection of SENSE+ to V<sub>OUT</sub>. The R<sub>SET</sub> resistor must be connected directly between the V<sub>ADJ</sub> (pin 13) and AGND (pin 9). The SENSE+ pin (pin 14) must be connected to V<sub>OUT</sub> either at the load for improved regulation or at V<sub>OUT</sub> of the device.

The LMZ31530 relies on a precision trimmed 0.6 V reference for the feedback voltage regulation and operates by regulating the valley of the voltage ripple appearing at the V<sub>ADJ</sub> pin. The voltage ripple is a function of the input voltage and the output voltage, therefore the R<sub>SET</sub> resistor will change based on the input voltage. [Table 1](#) gives the calculated external R<sub>SET</sub> resistor for a number of common bus voltages for P<sub>VIN</sub> of 12 V, 5 V, and 3.3 V. The recommended switching frequency is 500 kHz which can be configured by leaving the FREQ\_SEL pin open. To adjust the frequency, see [Table 2](#).

**Table 1. R<sub>SET</sub> Resistor Values**

V <sub>OUT</sub> (V)	R <sub>SET</sub> (Ω)			V <sub>OUT</sub> (V)	R <sub>SET</sub> (Ω)		
	P <sub>VIN</sub> = 12 V	P <sub>VIN</sub> = 5 V	P <sub>VIN</sub> = 3.3 V		P <sub>VIN</sub> = 12 V	P <sub>VIN</sub> = 5 V	P <sub>VIN</sub> = 3.3 V
0.60	open	open	open	2.15	566	563	560
0.65	18787	18681	18588	2.20	548	545	542
0.70	9024	8993	8966	2.25	532	528	525
0.75	5939	5923	5908	2.30	516	513	510
0.80	4427	4416	4406	2.35	502	498	495
0.85	3529	3521	3513	2.40	488	484	481
0.90	2934	2927	2921	2.45	475	471	468
0.95	2511	2505	2500	2.50	462	459	456
1.00	2195	2190	2185	2.55	451	447	444
1.05	1950	1945	1941	2.60	439	436	433
1.10	1754	1749	1745	2.65	429	425	422
1.15	1594	1589	1586	2.70	419	415	412
1.20	1460	1456	1453	2.75	409	405	402
1.25	1348	1344	1341	2.80	400	396	393
1.30	1251	1248	1244	2.85	391	387	384
1.35	1168	1164	1161	2.90	382	379	375
1.40	1095	1091	1088	2.95	374	370	367
1.45	1031	1027	1024	3.00	367	363	359
1.50	973	970	968	3.05	359	355	352
1.55	922	919	916	3.10	352	348	345
1.60	876	873	870	3.15	345	341	338
1.65	834	831	828	3.20	339	335	331
1.70	797	793	790	3.25	332	328	325
1.75	762	759	756	3.30	326	322	318
1.80	730	727	724	3.35	320	316	312
1.85	701	698	695	3.40	315	310	307
1.90	674	671	668	3.45	309	305	301
1.95	650	646	643	3.50	304	300	296
2.00	626	623	620	3.55	299	294	291
2.05	605	602	599	3.60	294	289	286
2.10	585	581	578				

## Frequency Select

The LMZ31530 switching frequency can be selected from several values as shown in [Table 2](#). To select a switching frequency, a resistor ( $R_{\text{FREQ}}$ ) must be connected between the FREQ\_SEL pin and either PGND or V5V (pin 61) as shown in [Table 2](#). For all output voltages, the recommended switching frequency is 500 kHz which can be configured by leaving the FREQ\_SEL pin open. [Table 2](#) also shows the output voltage range for each frequency.

**Table 2. Frequency Selection**

Frequency Select (kHz)	$R_{\text{FREQ}}$ (k $\Omega$ )	Connect To	$V_{\text{OUT}}$ RANGE (V)	
			MIN	MAX
300	66	PGND	0.6	3.6
400	498	PGND	0.6	3.6
<b>500</b>	open	-	0.6	3.6
650	745	V5V	0.8	3.6
750	188	V5V	1.0	3.6
850	short	V5V	1.2	3.6

## CAPACITOR RECOMMENDATIONS FOR THE LMZ31530 POWER SUPPLY

### Capacitor Technologies

#### *Electrolytic, Polymer-Electrolytic Capacitors*

Aluminum electrolytic capacitors provide adequate decoupling over the frequency range of 2 kHz to 150 kHz. When using electrolytic capacitors, high-quality, polymer-electrolytic capacitors are recommended. Polymer-electrolytic type capacitors are recommended for applications where the ambient operating temperature is less than 0°C. The Panasonic OS-CON capacitor series is suggested due to the lower ESR, higher rated surge, power dissipation, ripple current capability, and small package size.

#### *Ceramic Capacitors*

The performance of ceramic capacitors is most effective above 150 kHz. Multilayer ceramic capacitors have a low ESR and a resonant frequency higher than the bandwidth of the regulator. They can be used to reduce the reflected ripple current at the input as well as improve the transient response of the output.

#### *Tantalum, Polymer-Tantalum Capacitors*

Polymer-tantalum type capacitors are recommended for applications where the ambient operating temperature is less than 0°C. The Panasonic POSCAP series and Kemet T530 capacitor series are recommended rather than many other tantalum types due to their lower ESR, higher rated surge, power dissipation, ripple current capability, and small package size. Tantalum capacitors that have no stated ESR or surge current rating are not recommended for power applications.

#### *Input Capacitor*

The LMZ31530 requires a minimum input capacitance of 44  $\mu\text{F}$  of ceramic type. The voltage rating of input capacitors must be greater than the maximum input voltage. The input RMS ripple current is a function of the output current and the duty cycle for any application. The input capacitor must be rated for the application's RMS ripple current. [Table 3](#) includes a preferred list of capacitors by vendor.

#### *Output Capacitor*

The required output capacitance of the LMZ31530 can be comprised of either all ceramic capacitors, or a combination of ceramic and bulk capacitors. The required output capacitance must include at least 100  $\mu\text{F}$  of ceramic type. When adding additional non-ceramic bulk capacitors, low-ESR devices like the ones recommended in [Table 3](#) are required. The required capacitance above the minimum is determined by actual transient deviation requirements. See [Table 4](#) for typical transient response values for several output voltage, input voltage and capacitance combinations. [Table 3](#) includes a preferred list of capacitors by vendor.

**Table 3. Recommended Input/Output Capacitors<sup>(1)</sup>**

VENDOR	SERIES	PART NUMBER	CAPACITOR CHARACTERISTICS		
			WORKING VOLTAGE (V)	CAPACITANCE (μF)	ESR <sup>(2)</sup> (mΩ)
Murata	X5R	GRM32ER61E226K	25	22	2
TDK	X5R	C3216X5R1E476M	25	47	2
TDK	X5R	C3216X5R1C476M	16	47	2
Murata	X5R	GRM32ER61C476M	16	47	2
TDK	X5R	C3225X5R0J107M	6.3	100	2
Murata	X5R	GRM32ER60J107M	6.3	100	2
TDK	X5R	C3225X5R0J476K	6.3	47	2
Murata	X5R	GRM32ER60J476M	6.3	47	2
Panasonic	EEH-ZA	EEH-ZA1E101XP	25	100	30
Kemet	T520	T520V107M010ASE025	10	100	25
Panasonic	POSCAP	6TPE100MI	6.3	100	25
Panasonic	POSCAP	2R5TPE220M7	2.5	220	7
Kemet	T530	T530D227M006ATE006	6.3	220	6
Kemet	T530	T530D337M006ATE010	6.3	330	10
Panasonic	POSCAP	2TPF330M6	2.0	330	6
Panasonic	POSCAP	6TPE330MFL	6.3	330	15

**(1) Capacitor Supplier Verification, RoHS, Lead-free and Material Details**

Consult capacitor suppliers regarding availability, material composition, RoHS and lead-free status, and manufacturing process requirements for any capacitors identified in this table.

**(2) Maximum ESR @ 100kHz, 25°C.**
**Transient Response**

 The LMZ31530 is designed to have an ultra-fast load step response with minimal output capacitance. [Table 4](#) shows the voltage deviation and recovery time for several different transient conditions. Several waveforms are shown in [Transient Waveforms](#)<sup>(3)</sup>.

**Table 4. Output Voltage Transient Response**

<b>C<sub>IN1</sub> = 3 x 47 μF CERAMIC</b>						
V <sub>OUT</sub> (V)	V <sub>IN</sub> (V)	C <sub>OUT1</sub> Ceramic	C <sub>OUT2</sub> BULK	VOLTAGE DEVIATION (mV)		RECOVERY TIME (μs)
				10 A LOAD STEP, (1 A/μs)	15 A LOAD STEP, (1 A/μs)	
0.6	5	500 μF	-	15	18	35
	12	500 μF	-	15	20	35
0.9	5	500 μF	-	15	18	40
		500 μF	470 μF	12	15	40
	12	500 μF	-	20	25	40
		500 μF	470 μF	16	22	40
1.2	5	500 μF	-	20	25	40
		500 μF	330 μF	15	22	40
	12	500 μF	-	20	25	40
		500 μF	330 μF	16	24	40
1.8	5	500 μF	-	20	30	40
		500 μF	330 μF	16	25	40
	12	500 μF	-	20	30	40
		500 μF	330 μF	16	25	45
3.3	5	500 μF	-	25	40	50
	12	500 μF	-	25	35	50

**(3) Device configured for FCCM mode of operation, (pin 3 connected to pin 19).**

Transient Waveforms <sup>(1)</sup>

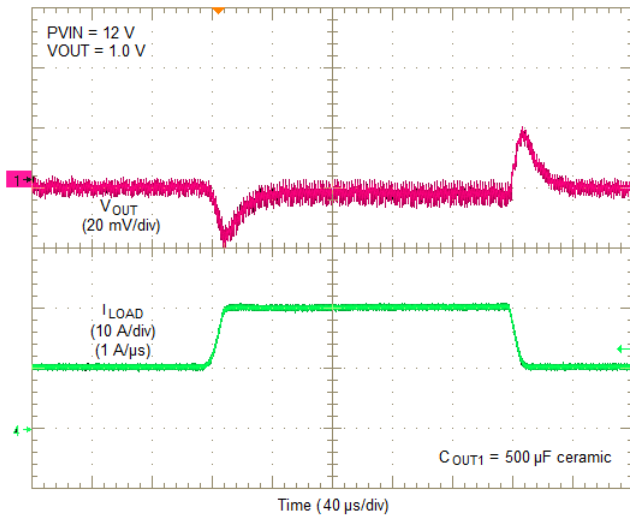


Figure 13. PVIN = 12V, VOUT = 1.0V, 10A Load Step

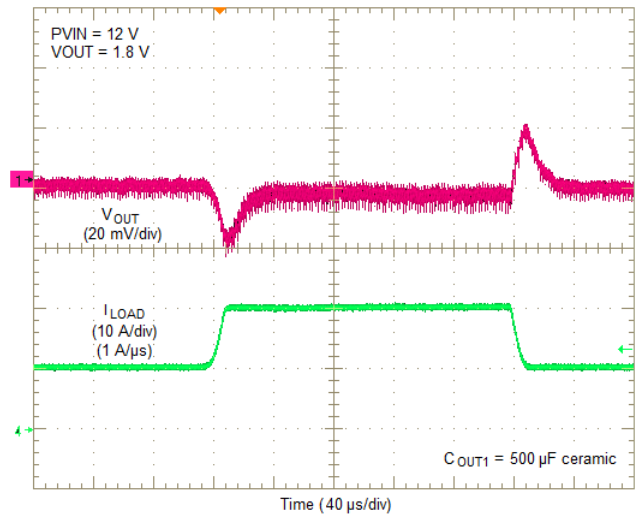


Figure 14. PVIN = 12V, VOUT = 1.8V, 10A Load Step

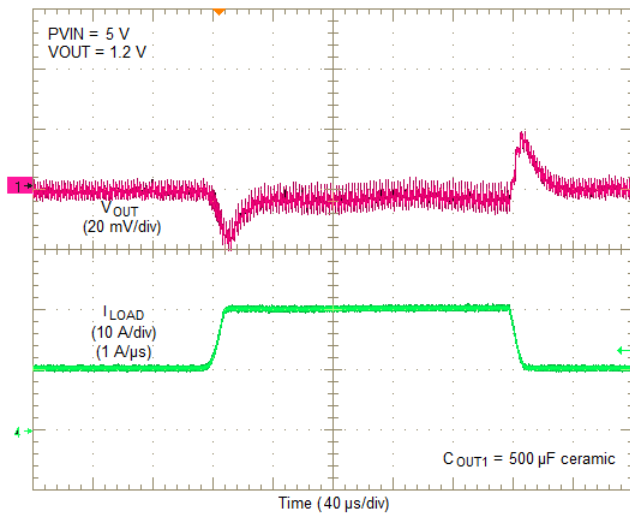


Figure 15. PVIN = 5V, VOUT = 1.2V, 10A Load Step

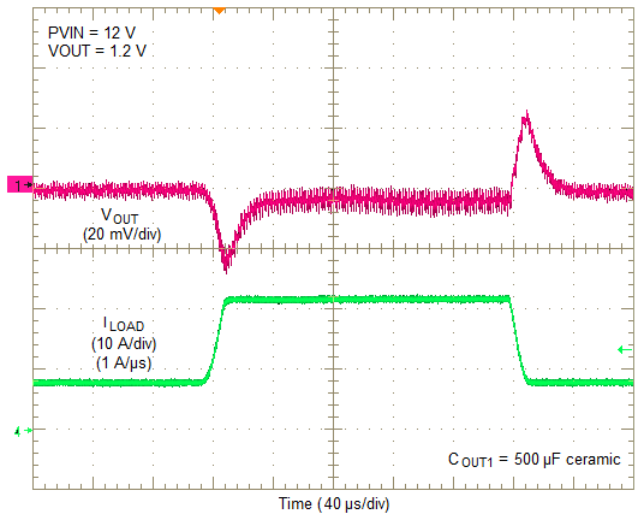
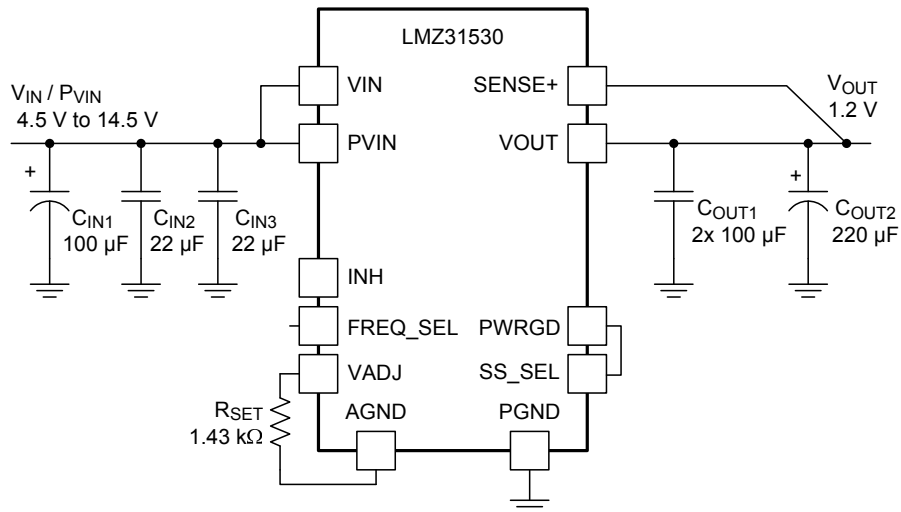


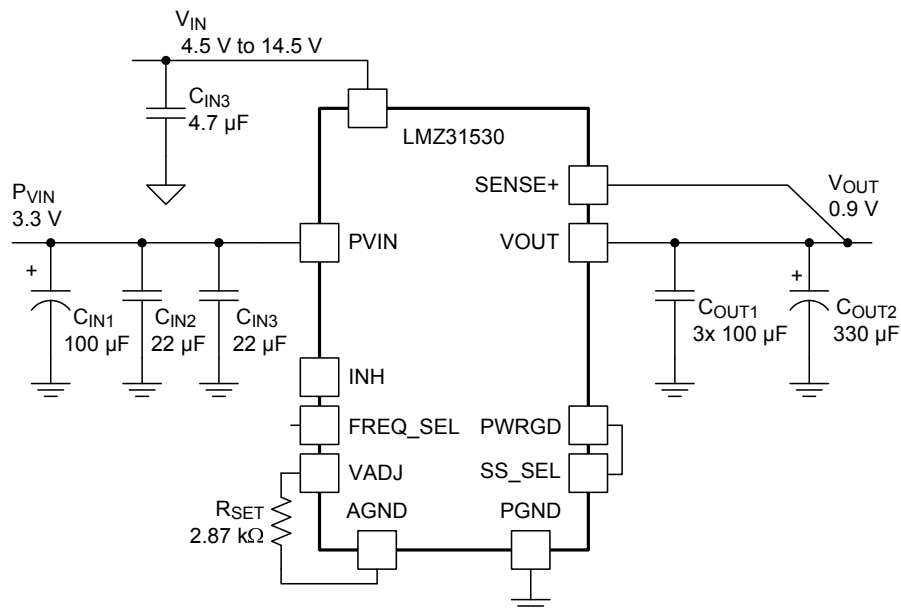
Figure 16. PVIN = 12V, VOUT = 1.2V, 5A Load Step

(1) Device configured for FCCM mode of operation, (pin 3 connected to pin 19).

Application Schematics



**Figure 17. Typical Schematic**  
**PVIN = VIN = 4.5 V to 14.5 V, VOUT = 1.2 V**



**Figure 18. Typical Schematic**  
**PVIN = 3.3 V, VIN = 4.5 V to 14.5 V, VOUT = 0.9 V**

## VIN and PVIN Input Voltage

The LMZ31530 allows for a variety of applications by using the VIN and PVIN pins together or separately. The VIN voltage supplies the internal control circuits of the device. The PVIN voltage provides the input voltage to the power converter system.

If tied together, the input voltage for the VIN pin and the PVIN pin can range from 4.5 V to 14.5 V. If using the VIN pin separately from the PVIN pin, the VIN pin must be greater than 4.5 V, and the PVIN pin can range from as low as 3.0 V to 14.5 V. When operating from a split rail, it is recommended to supply VIN from 5 V to 12 V, for best performance.

## 3.3 V PVIN Operation

Applications operating from a PVIN of 3.3 V must provide at least 4.5 V for VIN. It is recommended to supply VIN from 5 V to 12 V, for best performance. See application note, [SNVA692](#) for help creating 5 V from 3.3 V using a small, simple charge pump device.

## Power Good (PWRGD)

The PWRGD pin is an open drain output. Once the voltage on the SENSE+ pin is between 90% and 115% of the set voltage, the PWRGD pin pull-down is released and the pin floats. The recommended pull-up resistor value is between 10 k $\Omega$  and 100 k $\Omega$  to a voltage source that is less than 7 V. An internal 100 k $\Omega$  pull-up resistor is provided internal to the device between the PWRGD pin (pin 19) and PWRGD\_PU pin (pin 18). The PWRGD\_PU pin can be connected to a voltage source less than 7 V or connected directly to V5V (pin 61), which is an internal 5V regulator. The PWRGD pin is in a defined state once VIN is greater than 1.0 V. The PWRGD pin is pulled low when the voltage on SENSE+ is lower than 90% or greater than 115% of the nominal set voltage. Also, the PWRGD pin is pulled low if the input UVLO or thermal shutdown is asserted or the INH pin is pulled low.

## Slow Start (SS\_SEL)

Connecting the SS\_SEL pin to PWRGD or PGND sets the slow start interval of approximately 0.7 ms. The connection to either PWRGD or PGND determines the mode of the LMZ31530 as described in [Auto-Skip Eco-Mode™ / Forced Continuous Conduction Mode](#). Adding a resistor between SS\_SEL pin and PWRGD or PGND increases the slow start time. Increasing the slow start time will reduce inrush current. [Table 5](#) shows a resistor connected between SS\_SEL pin and PWRGD to select FCCM and [Figure 20](#) shows a resistor between SS\_SEL pin and PGND to select Auto-skip mode. See [Table 5](#) below for SS resistor values and timing interval.

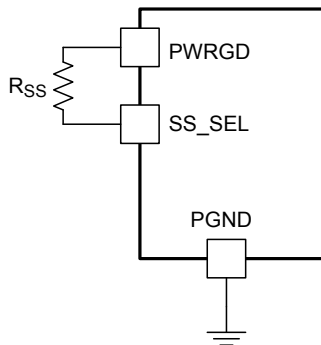


Figure 19. Slow-Start Resistor ( $R_{SS}$ ) in FCCM

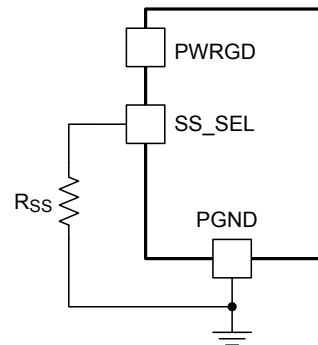


Figure 20. Slow-Start Resistor ( $R_{SS}$ ) in Auto-skip Mode

Table 5. Slow-Start Resistor Values and Slow-Start Time

$R_{SS}$ (k $\Omega$ )	short	61.9	161	436
SS Time (msec)	0.7	1.4	2.8	5.6

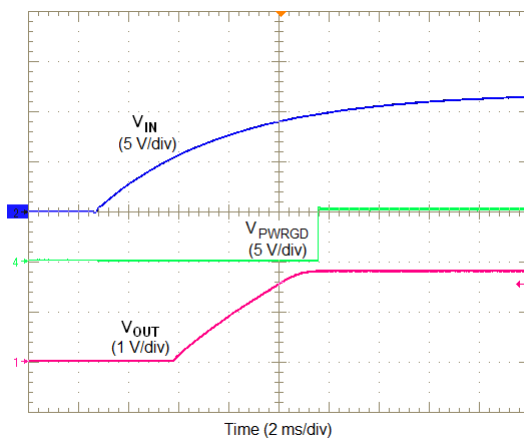
## Auto-Skip Eco-Mode™ / Forced Continuous Conduction Mode

Auto-skip Eco-mode or Forced Continuous Conduction Mode (FCCM) can be selected using the SS\_SEL pin (pin 3). Connect the SS\_SEL pin to PGND to select Auto-skip Eco-mode or to the PWRGD pin to select FCCM.

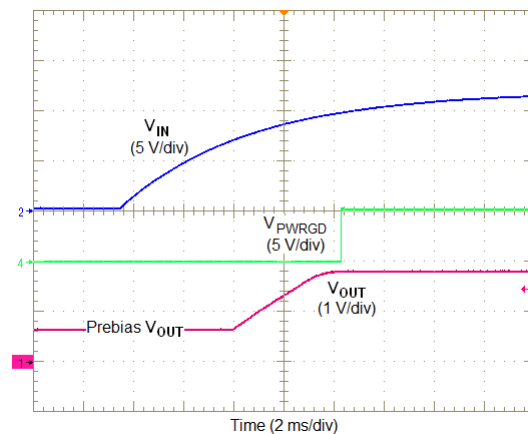
In Auto-skip Eco-mode, the LMZ31530 automatically reduces the switching frequency at light load conditions to maintain high efficiency. In FCCM, the controller keeps continuous conduction mode in light load condition and the switching frequency is kept almost constant over the entire load range. Transient performance is best in FCCM.

## Power-Up Characteristics

When configured as shown in the front page schematic, the LMZ31530 produces a regulated output voltage following the application of a valid input voltage. During the power-up, internal soft-start circuitry slows the rate that the output voltage rises, thereby limiting the amount of in-rush current that can be drawn from the input source. [Figure 21](#) shows the start-up waveforms for a LMZ31530, operating from a 12-V input ( $P_{VIN}=V_{IN}$ ) and with the output voltage adjusted to 1.8 V. [Figure 22](#) shows the start-up waveforms for a LMZ31530 starting up into a pre-biased output voltage. The waveforms were measured with a 15-A constant current load.



**Figure 21. Start-Up Waveforms**



**Figure 22. Start-up into Pre-bias**

## Pre-Biased Start-Up

The LMZ31530 has been designed to prevent the low-side MOSFET from discharging a pre-biased output. During pre-biased startup, the low-side MOSFET does not turn on until the high-side MOSFET has started switching. The high-side MOSFET does not start switching until the slow start voltage exceeds the voltage on the VADJ pin. Refer to [Figure 22](#).

## Remote Sense

The SENSE+ pin must be connected to  $V_{OUT}$  at the load, or at the device pins.

Connecting the SENSE+ pin to  $V_{OUT}$  at the load improves the load regulation performance of the device by allowing it to compensate for any I-R voltage drop between its output pins and the load. An I-R drop is caused by the high output current flowing through the small amount of pin and trace resistance. This should be limited to a maximum of 300 mV.

### NOTE

The remote sense feature is not designed to compensate for the forward drop of nonlinear or frequency dependent components that may be placed in series with the converter output. Examples include OR-ing diodes, filter inductors, ferrite beads, and fuses. When these components are enclosed by the SENSE+ connection, they are effectively placed inside the regulation control loop, which can adversely affect the stability of the regulator.

## Output On/Off Inhibit (INH)

The INH pin provides electrical on/off control of the device. Once the INH pin voltage exceeds the threshold voltage, the device starts operation. If the INH pin voltage is pulled below the threshold voltage, the regulator stops switching and enters low quiescent current state.

The INH pin has an internal pull-up current source, allowing the user to float the INH pin for enabling the device. If an application requires controlling the INH pin, use an open drain/collector device, or a suitable logic gate to interface with the pin.

Figure 23 shows the typical application of the inhibit function. The Inhibit control has its own internal pull-up to VIN potential. An open-collector or open-drain device is recommended to control this input.

Turning Q1 on applies a low voltage to the inhibit control (INH) pin and disables the output of the supply, shown in Figure 24. If Q1 is turned off, the supply executes a soft-start power-up sequence, as shown in Figure 25. The waveforms were measured with a 12-A constant resistance load.

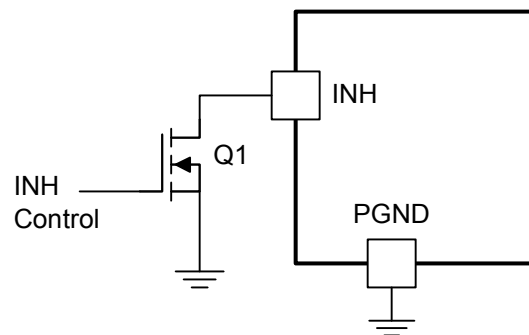


Figure 23. Typical Inhibit Control

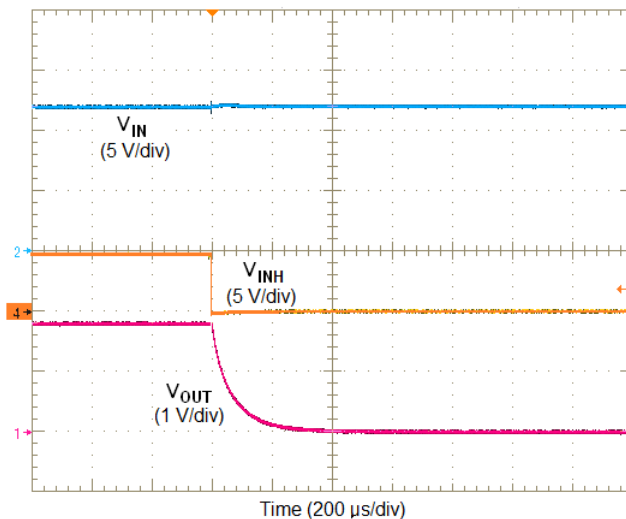


Figure 24. Inhibit Turn-Off

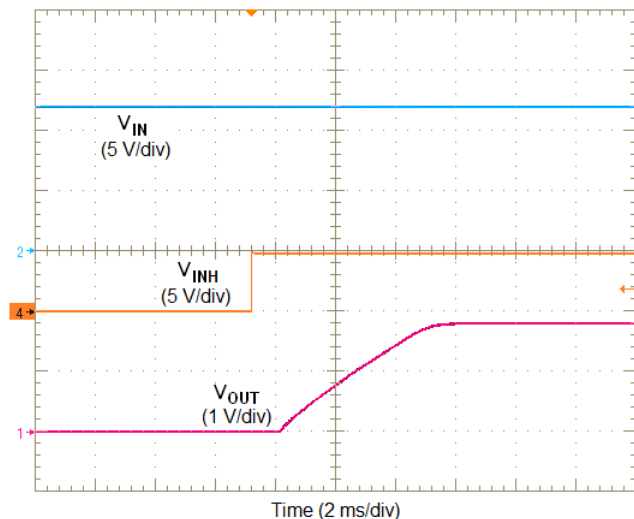


Figure 25. Inhibit Turn-On

## Overcurrent Protection

For protection against load faults, the LMZ31530 incorporates cycle-by-cycle overcurrent limiting control. The inductor current is monitored during the OFF state and the controller maintains the OFF state during the period in that the inductor current is larger than the overcurrent trip level. In cycle-by-cycle mode, applying a load that exceeds the regulator's overcurrent threshold limits the output current and reduces the output voltage as shown in Figure 26. If the overcurrent condition remains and the output voltage drops below 70% of the set-point, the LMZ31530 shuts down. Following shutdown, the module periodically attempts to recover by initiating a soft-start power-up as shown in Figure 26. This is described as a hiccup mode of operation, whereby the module continues in a cycle of successive shutdown and power up until the load fault is removed. During this period, the average current flowing into the fault is significantly reduced which reduces power dissipation. Once the fault is removed, the module automatically recovers and returns to normal operation as shown in Figure 27.

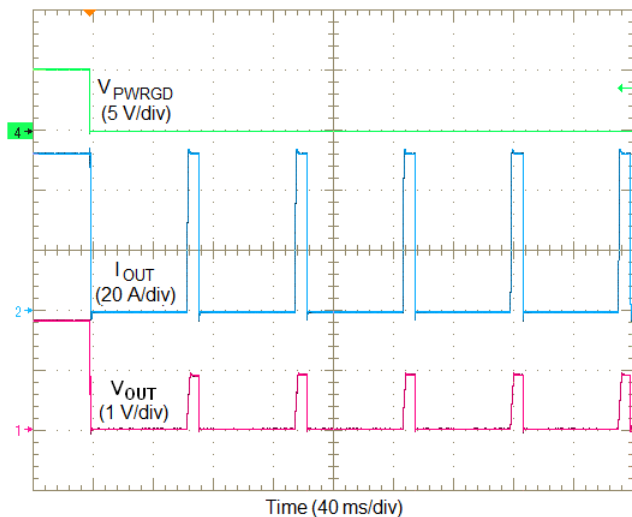


Figure 26. Overcurrent Limiting (Hiccup)

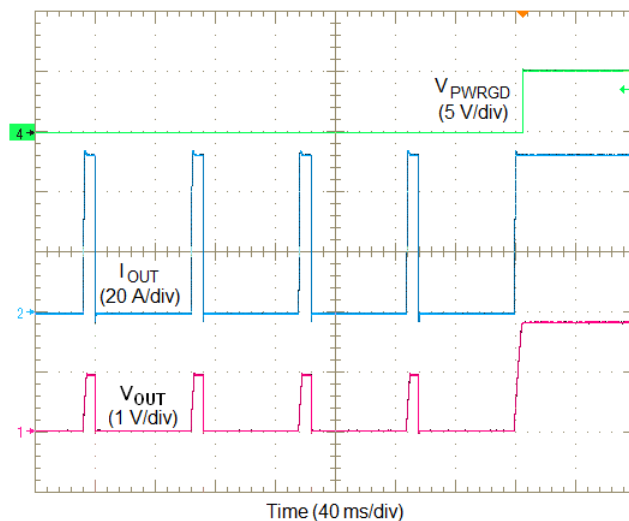


Figure 27. Removal of Overcurrent (Hiccup)

## Current Limit (ILIM) Adjust

The current limit of this device can be adjusted lower by connecting a resistor,  $R_{ILIM}$ , between the ILIM pin (pin 6) and PGND. To adjust the typical current limit threshold, as listed in the electrical characteristics table, refer to Table 6.

Table 6. Current Limit Adjust Resistor

Current Limit Reduction	$R_{ILIM}(k\Omega)$
10 %	825
20 %	487
30 %	324

## Thermal Shutdown

The internal thermal shutdown circuitry forces the device to stop switching if the junction temperature exceeds 145°C typically. The device reinitiates the power up sequence when the junction temperature drops below 135°C typically.

## Layout Considerations

To achieve optimal electrical and thermal performance, an optimized PCB layout is required. [Figure 28](#) thru [Figure 33](#), shows a typical PCB layout. Some considerations for an optimized layout are:

- Use large copper areas for power planes (PVIN, VOUT, and PGND) to minimize conduction loss and thermal stress.
- Place ceramic input and output capacitors close to the device pins to minimize high frequency noise.
- Locate additional output capacitors between the ceramic capacitor and the load.
- Keep AGND and PGND separate from one another. AGND should only be used as the return for  $R_{SET}$ .
- Place  $R_{SET}$ ,  $R_{FREQ}$ , and  $R_{SS}$  as close as possible to their respective pins.
- Use multiple vias to connect the power planes to internal layers.

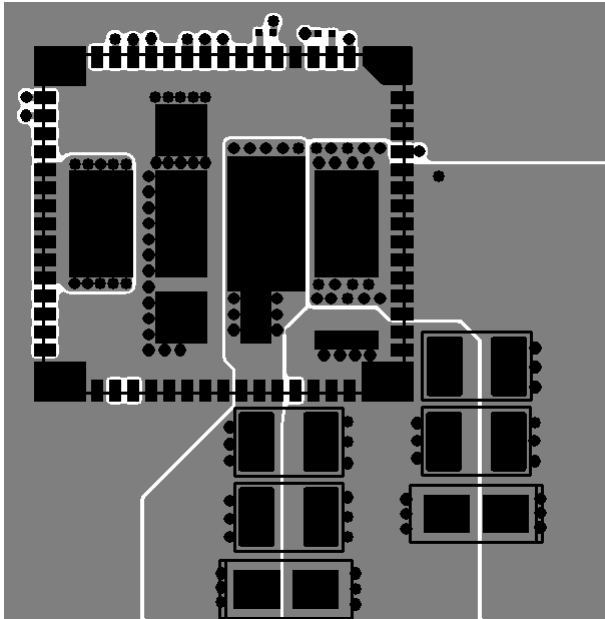


Figure 28. Typical Top Layer Layout

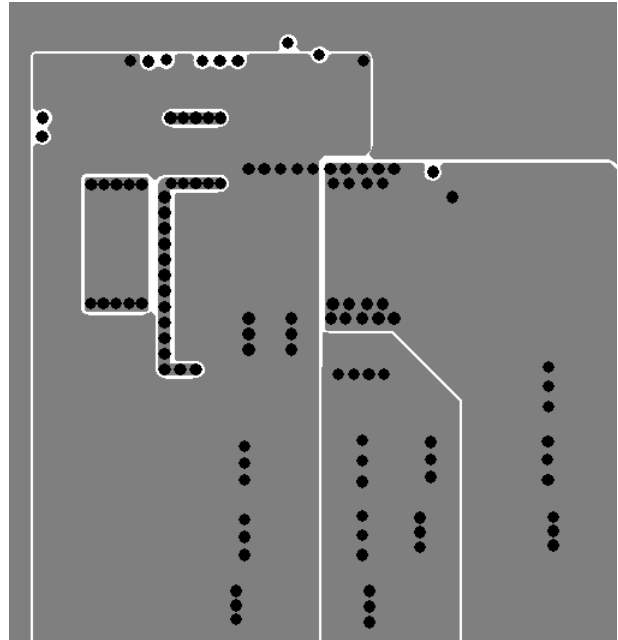


Figure 29. Typical Layer 2 Layout

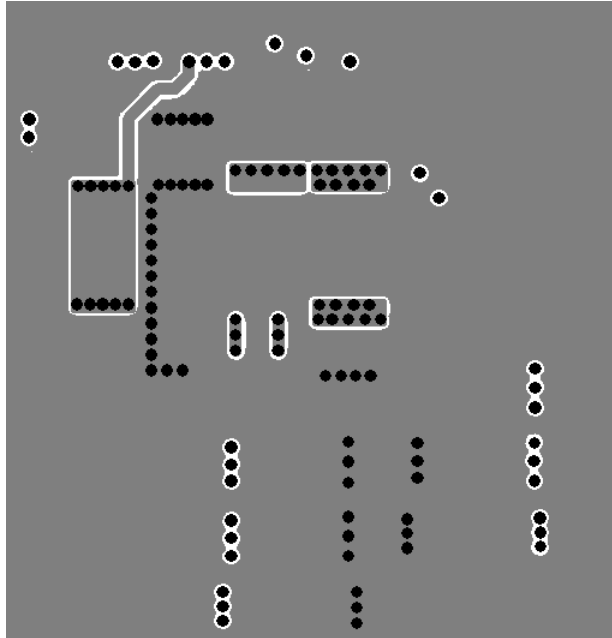


Figure 30. Typical Layer 3 Layout

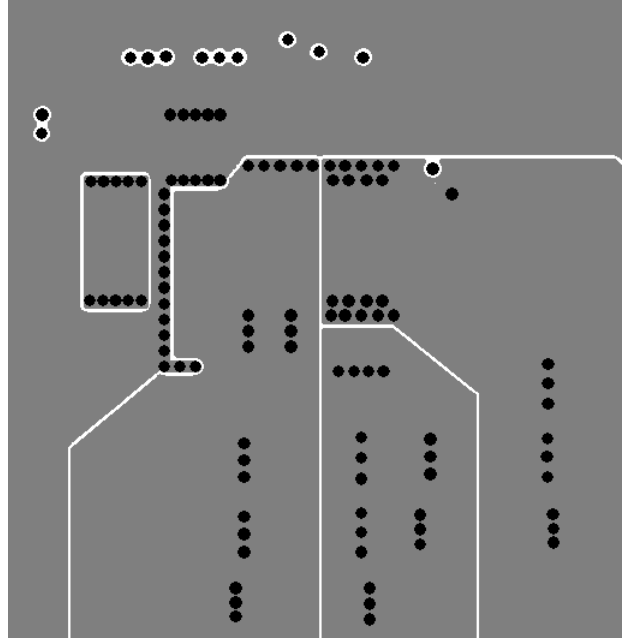


Figure 31. Typical Layer 4 Layout

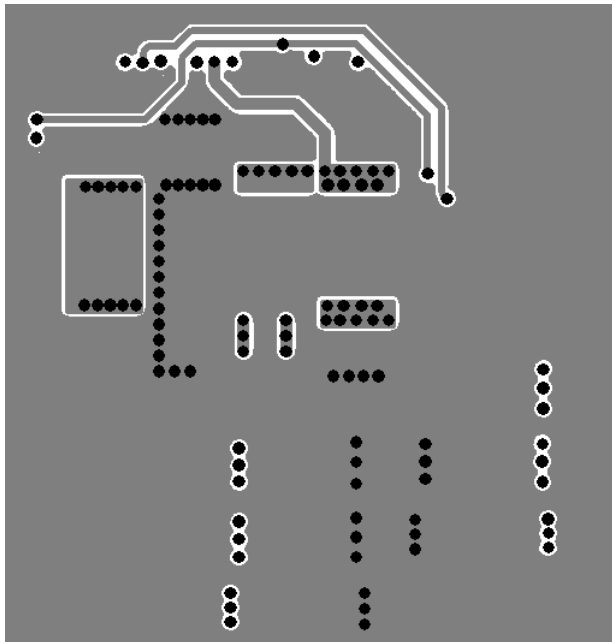


Figure 32. Typical Layer 5 Layout

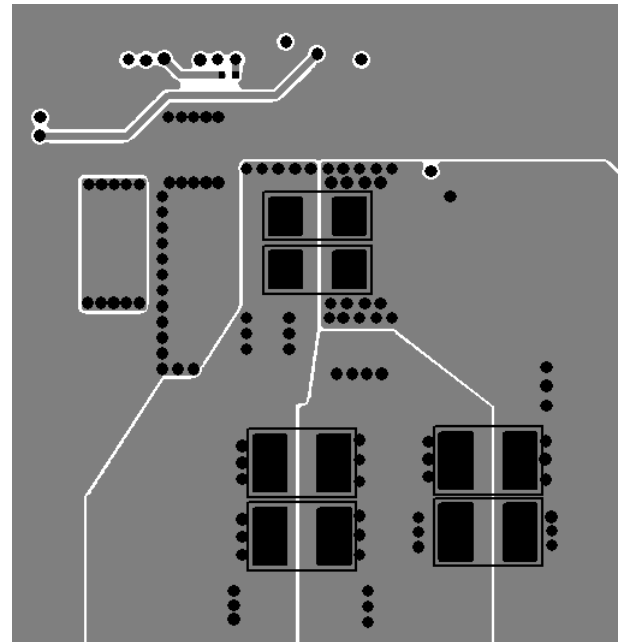
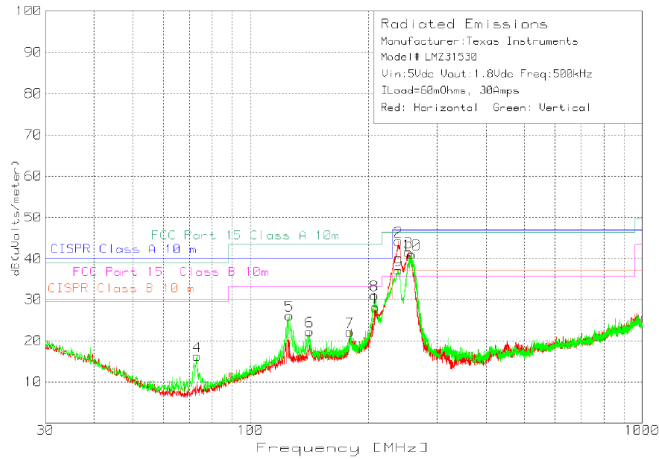


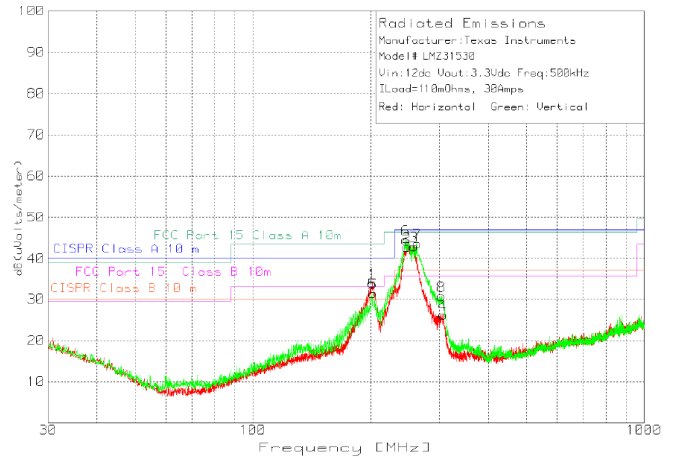
Figure 33. Typical Bottom Layer Layout

## EMI

The LMZ31530 is compliant with EN55022 Class A radiated emissions. [Figure 34](#) and [Figure 35](#) show typical examples of radiated emissions plots for the LMZ31530 operating from 5V and 12V respectively. Both graphs include the plots of the antenna in the horizontal and vertical positions.



**Figure 34. Radiated Emissions 5-V Input, 1.8-V Output, 30-A Load (EN55022 Class A)**



**Figure 35. Radiated Emissions 12-V Input, 3.3-V Output, 30-A Load (EN55022 Class A)**

---

**REVISION HISTORY**

---

**Changes from Revision A (December 2013) to Revision B** **Page**

- Added additional capacitors to the recommended capacitor table ..... [13](#)
- 

---

**Changes from Original (October 2013) to Revision A** **Page**

- Changed status from Preview to Production ..... [1](#)
-



# THERMAL PAD MECHANICAL DATA

RLG (R-PB4QFN-N72)

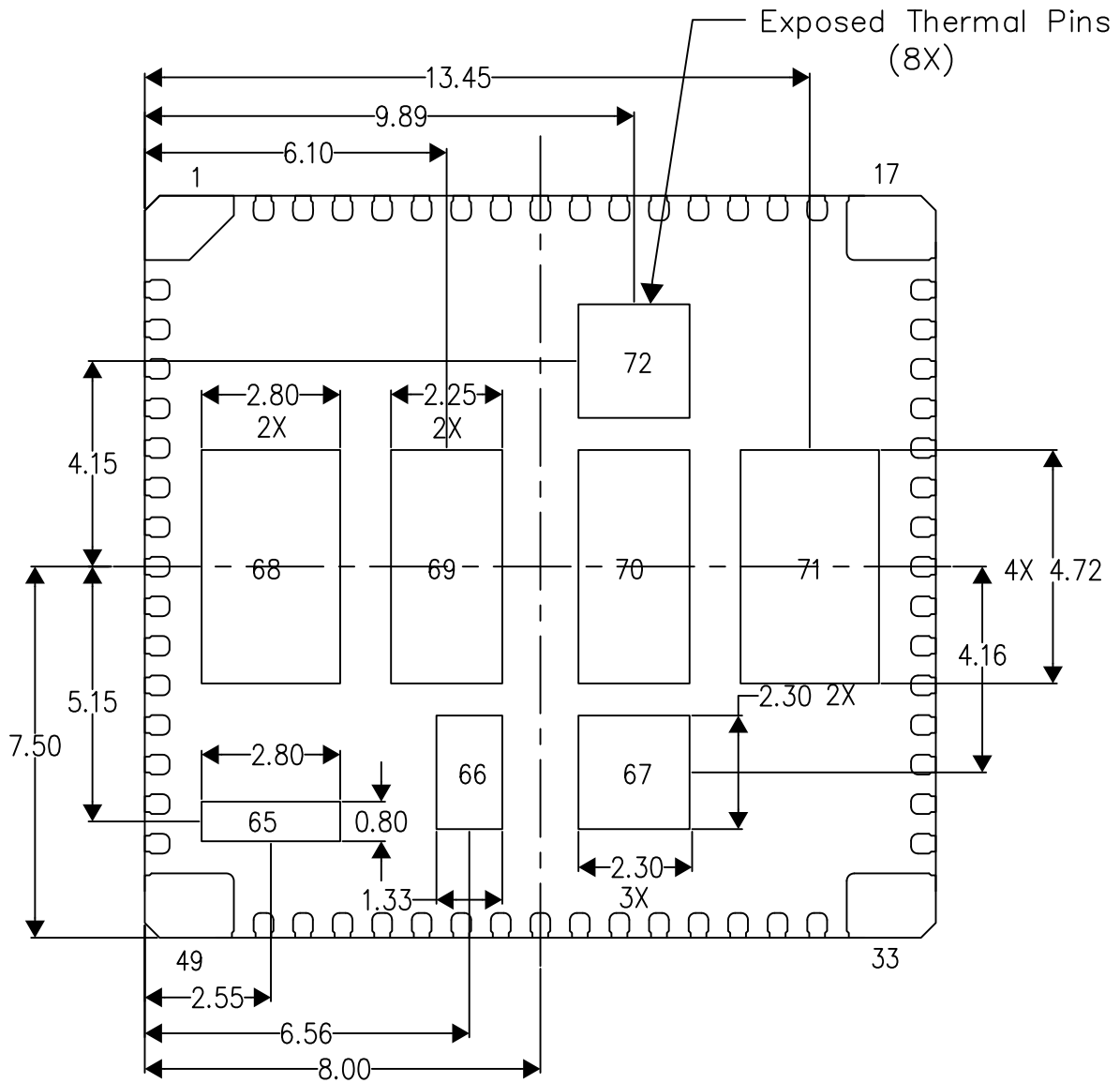
PLASTIC QUAD FLATPACK NO-LEAD

## THERMAL INFORMATION

This package incorporates an exposed thermal pad that is designed to be attached directly to an external heatsink. The thermal pad must be soldered directly to the printed circuit board (PCB). After soldering, the PCB can be used as a heatsink. In addition, through the use of thermal vias, the thermal pad can be attached directly to the appropriate copper plane shown in the electrical schematic for the device, or alternatively, can be attached to a special heatsink structure designed into the PCB. This design optimizes the heat transfer from the integrated circuit (IC).

For information on the Quad Flatpack No-Lead (QFN) package and its advantages, refer to Application Report, QFN/SON PCB Attachment, Texas Instruments Literature No. SLUA271. This document is available at [www.ti.com](http://www.ti.com).

The exposed thermal pad dimensions for this package are shown in the following illustration.



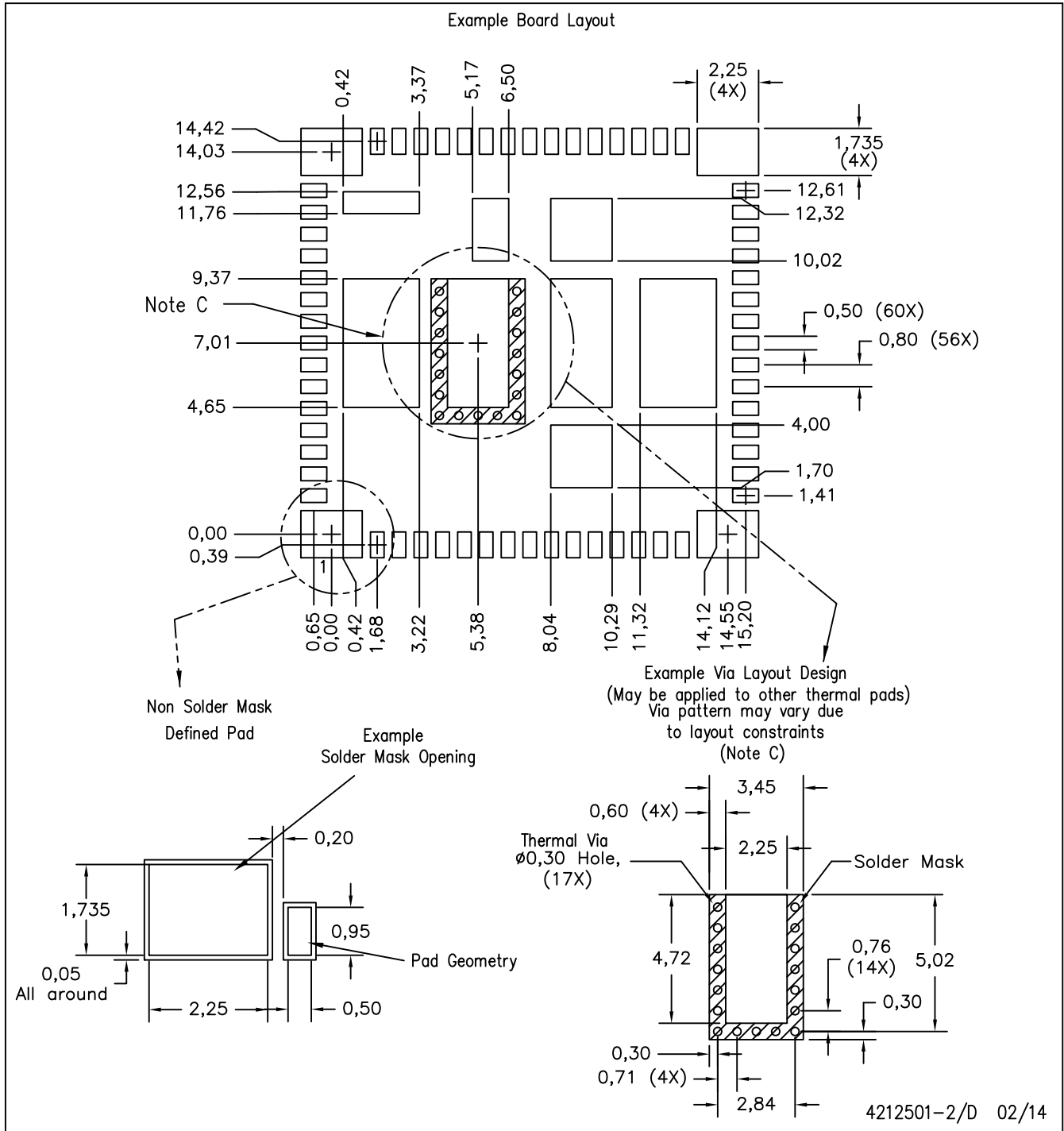
Bottom View  
Exposed Thermal Pad Dimensions  
Thermal Pad Tolerance:  $\pm 0.10\text{mm}$

4215300/B 02/14

NOTE: All linear dimensions are in millimeters

RLG (R-PB4QFN-N72)

PLASTIC QUAD FLATPACK NO-LEAD

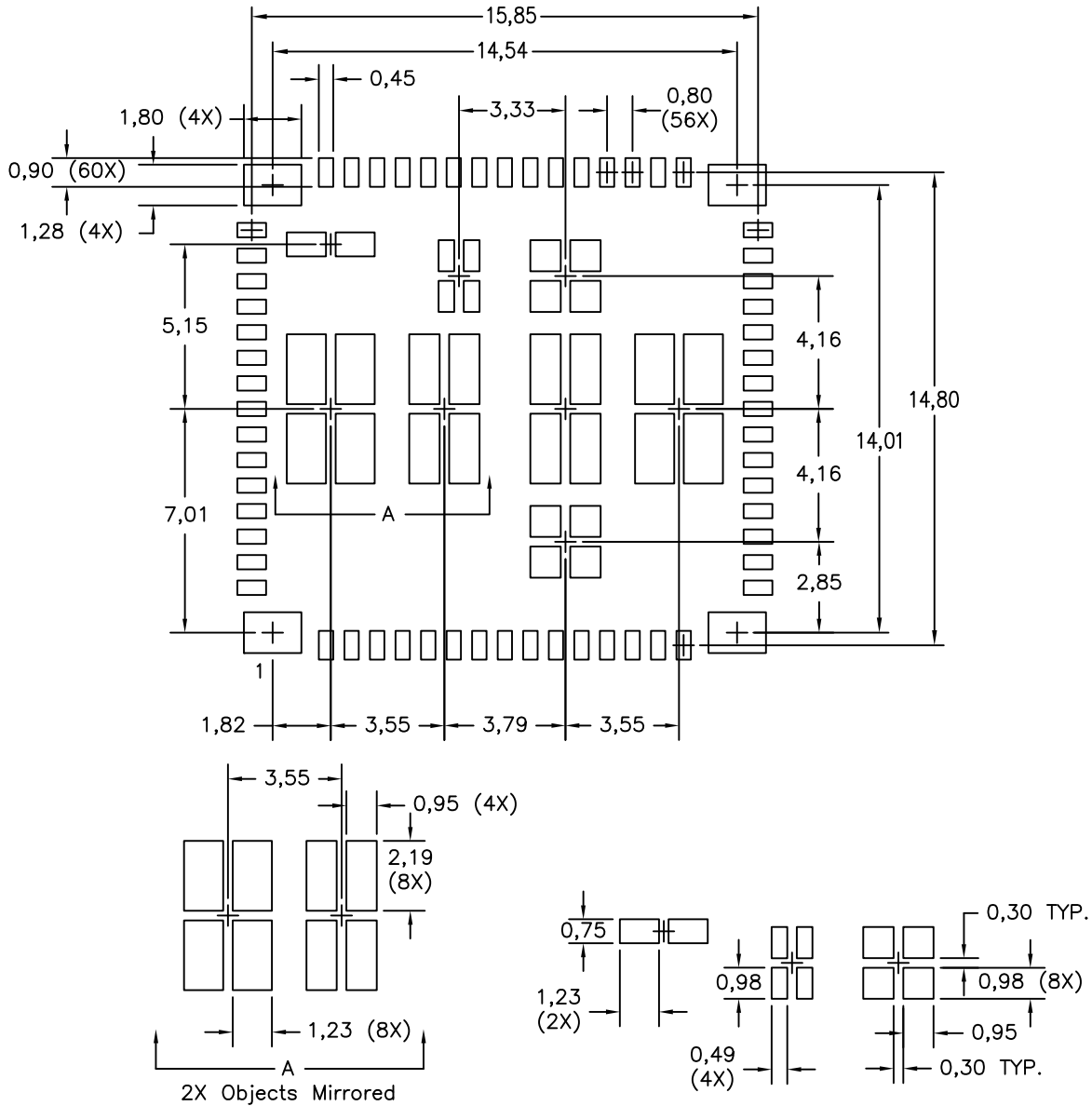


- NOTES:
- A. All linear dimensions are in millimeters.
  - B. This drawing is subject to change without notice.
  - C. This package is designed to be soldered to thermal pads on the board. Refer to Application Note, Quad Flat-Pack Package, Texas Instruments Literature No. SCBA017, and also the Product Data Sheets for specific thermal information, via requirements, and recommended board layout. These documents are available at [www.ti.com](http://www.ti.com) <<http://www.ti.com>>.
  - D. See sheet 3 for stencil design recommendation.

RLG (R-PB4QFN-N72)

PLASTIC QUAD FLATPACK NO-LEAD

Example Stencil Design (Note E)  
Stencil Thickness = 0,125mm



4212501-3/D 02/14

NOTES:

- E. Laser cutting apertures with trapezoidal walls and also rounding corners will offer better paste release. Customer should contact their board assembly site for stencil design recommendations. Refer to IPC 7525 for stencil design considerations.

**PACKAGING INFORMATION**

Orderable Device	Status (1)	Package Type	Package Drawing	Pins	Package Qty	Eco Plan (2)	Lead/Ball Finish (6)	MSL Peak Temp (3)	Op Temp (°C)	Device Marking (4/5)	Samples
LMZ31530RLGT	ACTIVE	BQFN	RLG	72	250	TBD	Call TI	Call TI	-40 to 85	LMZ31530	Samples

(1) The marketing status values are defined as follows:

**ACTIVE:** Product device recommended for new designs.

**LIFEBUY:** TI has announced that the device will be discontinued, and a lifetime-buy period is in effect.

**NRND:** Not recommended for new designs. Device is in production to support existing customers, but TI does not recommend using this part in a new design.

**PREVIEW:** Device has been announced but is not in production. Samples may or may not be available.

**OBSOLETE:** TI has discontinued the production of the device.

(2) Eco Plan - The planned eco-friendly classification: Pb-Free (RoHS), Pb-Free (RoHS Exempt), or Green (RoHS & no Sb/Br) - please check <http://www.ti.com/productcontent> for the latest availability information and additional product content details.

**TBD:** The Pb-Free/Green conversion plan has not been defined.

**Pb-Free (RoHS):** TI's terms "Lead-Free" or "Pb-Free" mean semiconductor products that are compatible with the current RoHS requirements for all 6 substances, including the requirement that lead not exceed 0.1% by weight in homogeneous materials. Where designed to be soldered at high temperatures, TI Pb-Free products are suitable for use in specified lead-free processes.

**Pb-Free (RoHS Exempt):** This component has a RoHS exemption for either 1) lead-based flip-chip solder bumps used between the die and package, or 2) lead-based die adhesive used between the die and leadframe. The component is otherwise considered Pb-Free (RoHS compatible) as defined above.

**Green (RoHS & no Sb/Br):** TI defines "Green" to mean Pb-Free (RoHS compatible), and free of Bromine (Br) and Antimony (Sb) based flame retardants (Br or Sb do not exceed 0.1% by weight in homogeneous material)

(3) MSL, Peak Temp. - The Moisture Sensitivity Level rating according to the JEDEC industry standard classifications, and peak solder temperature.

(4) There may be additional marking, which relates to the logo, the lot trace code information, or the environmental category on the device.

(5) Multiple Device Markings will be inside parentheses. Only one Device Marking contained in parentheses and separated by a "~" will appear on a device. If a line is indented then it is a continuation of the previous line and the two combined represent the entire Device Marking for that device.

(6) Lead/Ball Finish - Orderable Devices may have multiple material finish options. Finish options are separated by a vertical ruled line. Lead/Ball Finish values may wrap to two lines if the finish value exceeds the maximum column width.

**Important Information and Disclaimer:**The information provided on this page represents TI's knowledge and belief as of the date that it is provided. TI bases its knowledge and belief on information provided by third parties, and makes no representation or warranty as to the accuracy of such information. Efforts are underway to better integrate information from third parties. TI has taken and continues to take reasonable steps to provide representative and accurate information but may not have conducted destructive testing or chemical analysis on incoming materials and chemicals. TI and TI suppliers consider certain information to be proprietary, and thus CAS numbers and other limited information may not be available for release.

In no event shall TI's liability arising out of such information exceed the total purchase price of the TI part(s) at issue in this document sold by TI to Customer on an annual basis.



## IMPORTANT NOTICE

Texas Instruments Incorporated and its subsidiaries (TI) reserve the right to make corrections, enhancements, improvements and other changes to its semiconductor products and services per JESD46, latest issue, and to discontinue any product or service per JESD48, latest issue. Buyers should obtain the latest relevant information before placing orders and should verify that such information is current and complete. All semiconductor products (also referred to herein as "components") are sold subject to TI's terms and conditions of sale supplied at the time of order acknowledgment.

TI warrants performance of its components to the specifications applicable at the time of sale, in accordance with the warranty in TI's terms and conditions of sale of semiconductor products. Testing and other quality control techniques are used to the extent TI deems necessary to support this warranty. Except where mandated by applicable law, testing of all parameters of each component is not necessarily performed.

TI assumes no liability for applications assistance or the design of Buyers' products. Buyers are responsible for their products and applications using TI components. To minimize the risks associated with Buyers' products and applications, Buyers should provide adequate design and operating safeguards.

TI does not warrant or represent that any license, either express or implied, is granted under any patent right, copyright, mask work right, or other intellectual property right relating to any combination, machine, or process in which TI components or services are used. Information published by TI regarding third-party products or services does not constitute a license to use such products or services or a warranty or endorsement thereof. Use of such information may require a license from a third party under the patents or other intellectual property of the third party, or a license from TI under the patents or other intellectual property of TI.

Reproduction of significant portions of TI information in TI data books or data sheets is permissible only if reproduction is without alteration and is accompanied by all associated warranties, conditions, limitations, and notices. TI is not responsible or liable for such altered documentation. Information of third parties may be subject to additional restrictions.

Resale of TI components or services with statements different from or beyond the parameters stated by TI for that component or service voids all express and any implied warranties for the associated TI component or service and is an unfair and deceptive business practice. TI is not responsible or liable for any such statements.

Buyer acknowledges and agrees that it is solely responsible for compliance with all legal, regulatory and safety-related requirements concerning its products, and any use of TI components in its applications, notwithstanding any applications-related information or support that may be provided by TI. Buyer represents and agrees that it has all the necessary expertise to create and implement safeguards which anticipate dangerous consequences of failures, monitor failures and their consequences, lessen the likelihood of failures that might cause harm and take appropriate remedial actions. Buyer will fully indemnify TI and its representatives against any damages arising out of the use of any TI components in safety-critical applications.

In some cases, TI components may be promoted specifically to facilitate safety-related applications. With such components, TI's goal is to help enable customers to design and create their own end-product solutions that meet applicable functional safety standards and requirements. Nonetheless, such components are subject to these terms.

No TI components are authorized for use in FDA Class III (or similar life-critical medical equipment) unless authorized officers of the parties have executed a special agreement specifically governing such use.

Only those TI components which TI has specifically designated as military grade or "enhanced plastic" are designed and intended for use in military/aerospace applications or environments. Buyer acknowledges and agrees that any military or aerospace use of TI components which have **not** been so designated is solely at the Buyer's risk, and that Buyer is solely responsible for compliance with all legal and regulatory requirements in connection with such use.

TI has specifically designated certain components as meeting ISO/TS16949 requirements, mainly for automotive use. In any case of use of non-designated products, TI will not be responsible for any failure to meet ISO/TS16949.

### Products

Audio	<a href="http://www.ti.com/audio">www.ti.com/audio</a>
Amplifiers	<a href="http://amplifier.ti.com">amplifier.ti.com</a>
Data Converters	<a href="http://dataconverter.ti.com">dataconverter.ti.com</a>
DLP® Products	<a href="http://www.dlp.com">www.dlp.com</a>
DSP	<a href="http://dsp.ti.com">dsp.ti.com</a>
Clocks and Timers	<a href="http://www.ti.com/clocks">www.ti.com/clocks</a>
Interface	<a href="http://interface.ti.com">interface.ti.com</a>
Logic	<a href="http://logic.ti.com">logic.ti.com</a>
Power Mgmt	<a href="http://power.ti.com">power.ti.com</a>
Microcontrollers	<a href="http://microcontroller.ti.com">microcontroller.ti.com</a>
RFID	<a href="http://www.ti-rfid.com">www.ti-rfid.com</a>
OMAP Applications Processors	<a href="http://www.ti.com/omap">www.ti.com/omap</a>
Wireless Connectivity	<a href="http://www.ti.com/wirelessconnectivity">www.ti.com/wirelessconnectivity</a>

### Applications

Automotive and Transportation	<a href="http://www.ti.com/automotive">www.ti.com/automotive</a>
Communications and Telecom	<a href="http://www.ti.com/communications">www.ti.com/communications</a>
Computers and Peripherals	<a href="http://www.ti.com/computers">www.ti.com/computers</a>
Consumer Electronics	<a href="http://www.ti.com/consumer-apps">www.ti.com/consumer-apps</a>
Energy and Lighting	<a href="http://www.ti.com/energy">www.ti.com/energy</a>
Industrial	<a href="http://www.ti.com/industrial">www.ti.com/industrial</a>
Medical	<a href="http://www.ti.com/medical">www.ti.com/medical</a>
Security	<a href="http://www.ti.com/security">www.ti.com/security</a>
Space, Avionics and Defense	<a href="http://www.ti.com/space-avionics-defense">www.ti.com/space-avionics-defense</a>
Video and Imaging	<a href="http://www.ti.com/video">www.ti.com/video</a>

### TI E2E Community

[e2e.ti.com](http://e2e.ti.com)