

Distributed by:

**JAMECO**<sup>®</sup>  
ELECTRONICS

**www.Jameco.com ♦ 1-800-831-4242**

The content and copyrights of the attached  
material are the property of its owner.

Jameco Part Number 1992259

## LM140L/LM340L Series 3-Terminal Positive Regulators

### General Description

The LM140L series of three terminal positive regulators is available with several fixed output voltages making them useful in a wide range of applications. The LM140LA is an improved version of the LM78LXX series with a tighter output voltage tolerance (specified over the full military temperature range), higher ripple rejection, better regulation and lower quiescent current. The LM140LA regulators have  $\pm 2\%$   $V_{OUT}$  specification, 0.04%/V line regulation, and 0.01%/mA load regulation. When used as a zener diode/resistor combination replacement, the LM140LA usually results in an effective output impedance improvement of two orders of magnitude, and lower quiescent current. These regulators can provide local on card regulation, eliminating the distribution problems associated with single point regulation. The voltages available allow the LM140LA to be used in logic systems, instrumentation, Hi-Fi, and other solid state electronic equipment. Although designed primarily as fixed voltage regulators, these devices can be used with external components to obtain adjustable voltages and currents.

The LM140LA/LM340LA are available in the low profile metal three lead TO-39 (H) and the LM340LA are also available in the plastic TO-92 (Z). With adequate heat sinking the regulator can deliver 100 mA output current. Current limiting is included to limit the peak output current to a safe value. Safe area protection for the output transistor is pro-

vided to limit internal power dissipation. If internal power dissipation becomes too high for the heat sinking provided, the thermal shut-down circuit takes over, preventing the IC from overheating.

For applications requiring other voltages, see LM117L Data Sheet.

### Features

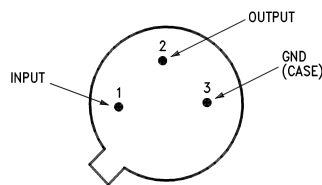
- Line regulation of 0.04%/V
- Load regulation of 0.01%/mA
- Output voltage tolerances of  $\pm 2\%$  at  $T_j = 25^\circ\text{C}$  and  $\pm 4\%$  over the temperature range (LM140LA)  $\pm 3\%$  over the temperature range (LM340LA)
- Output current of 100 mA
- Internal thermal overload protection
- Output transistor safe area protection
- Internal short circuit current limit
- Available in metal TO-39 low profile package (LM140LA/LM340LA) and plastic TO-92 (LM340LA)

### Output Voltage Options

LM140LA-5.0	5V	LM340LA-5.0	5V
LM140LA-12	12V	LM340LA-12	12V
LM140LA-15	15V	LM340LA-15	15V

### Connection Diagrams

TO-39 Metal Can Package (H)

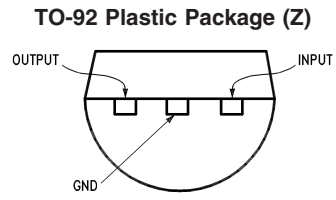


00778202

Bottom View

Order Number LM140LAH-5.0, LM140LAH-5.0/883, LM140LAH-12, LM140LAH-12/883, LM140LAH-15, LM140LAH-15/883, LM340LAH-5.0, LM340LAH-12 or LM340LAH-15  
See NS Package Number H03A

## Connection Diagrams (Continued)



00778203

### Bottom View

Order Number LM340LAZ-5.0, LM340LAZ-12 or LM340LAZ-15  
See NS Package Number Z03A

**Absolute Maximum Ratings** (Note 1)

If Military/Aerospace specified devices are required, please contact the National Semiconductor Sales Office/Distributors for availability and specifications.

(Note 5)

Input Voltage	35V
Internal Power Dissipation (Note 2)	Internally Limited
Operating Temperature Range	
LM140LA	-55°C to +125°C
LM340LA	0°C to +70°C

Maximum Junction Temperature	+150°C
Storage Temperature Range	
Metal Can (H package)	-65°C to +150°C
Molded TO-92	-55°C to +150°C
Lead Temperature (Soldering, 10 sec.)	
Metal Can	+300°C
Plastic TO-92	+230°C

**Electrical Characteristics**

Test conditions unless otherwise specified.  $T_A = -55^\circ\text{C}$  to  $+125^\circ\text{C}$  (LM140LA),  $T_A = 0^\circ\text{C}$  to  $+70^\circ\text{C}$  (LM340LA),  $I_O = 40\text{ mA}$ ,  $C_{IN} = 0.33\text{ }\mu\text{F}$ ,  $C_O = 0.01\text{ }\mu\text{F}$ .

Output Voltage Option			5.0V			12V			15V			Units
Input Voltage (unless otherwise noted)			10V			19V			23V			
Symbol	Parameter	Conditions	Min	Typ	Max	Min	Typ	Max	Min	Typ	Max	
$V_O$	Output Voltage	$T_j = 25^\circ\text{C}$	4.9	5	5.1	11.75	12	12.25	14.7	15	15.3	V
	Output Voltage Over Temp. (Note 4)	LM140LA $I_O = 1 - 100\text{ mA}$	4.8		5.2	11.5		12.5	14.4		15.6	
		LM340LA $I_O = 1 - 100\text{ mA}$ or $I_O = 1 - 40\text{ mA}$ and $V_{IN} = ( )\text{V}$	4.85		5.15	11.65		12.35	14.55		15.45	
			(7.2-20)			(14.5-27)			(17.6-30)			
$\Delta V_O$	Line Regulation	$T_j = 25^\circ\text{C}$	18 30		30 65		37 70					mV
		$I_O = 40\text{ mA}$ $V_{IN} = ( )\text{V}$	(7-25)		(14.2-30)		(17.3-30)					
		$I_O = 100\text{ mA}$ $V_{IN} = ( )\text{V}$	18 30		30 65		37 70					
			(7.5-25)		(14.5-30)		(17.5-30)					
	Load Regulation	$T_j = 25^\circ\text{C}$	5 20		10 40		12 50					mV
		$I_O = 1 - 40\text{ mA}$ $I_O = 1 - 100\text{ mA}$	20 40		30 80		35 100					
	Long Term Stability		12		24		30					mV 1000 hrs
$I_O$	Quiescent Current	$T_j = 25^\circ\text{C}$ $T_j = 125^\circ\text{C}$	3 4.5		3 4.5		3.1 4.5					mA
			4.2		4.2		4.2					
$\Delta I_O$	Quiescent Current Change	$T_j = 25^\circ\text{C}$	0.1		0.1		0.1					mA
		$\Delta\text{Load } I_O = 1 - 40\text{ mA}$	0.5		0.5		0.5					
		$\Delta\text{Line}$ $V_{IN} = ( )\text{V}$	(7.5-25)		(14.3-30)		(17.5-30)					
$V_N$	Output Noise Voltage	$T_j = 25^\circ\text{C}$ (Note 3) $f = 10\text{ Hz} - 10\text{ kHz}$	40		80		90					$\mu\text{V}$
$\frac{\Delta V_{IN}}{\Delta V_{OUT}}$	Ripple Rejection	$f = 120\text{ Hz}$ , $V_{IN} = ( )\text{V}$	55 62		47 54		45 52					dB
			(7.5-18)		(14.5-25)		(17.5-28.5)					
	Input Voltage Required to Maintain Line Regulation	$T_j = 25^\circ\text{C}$ , $I_O = 40\text{ mA}$	7		14.2		17.3					V

**Note 1:** "Absolute Maximum Ratings" indicate limits beyond which damage to the device may occur. Operating Ratings indicate conditions for which the device is functional, but do not guarantee specific performance limits.

**Note 2:** Thermal resistance of H-package is typically  $26^\circ\text{C/W}$   $\theta_{JC}$ ,  $250^\circ\text{C/W}$   $\theta_{JA}$  still air, and  $94^\circ\text{C/W}$   $\theta_{JA}$  400 lf/min of air. For the Z-package is  $60^\circ\text{C/W}$   $\theta_{JC}$ ,  $232^\circ\text{C/W}$   $\theta_{JA}$  still air, and  $88^\circ\text{C/W}$   $\theta_{JA}$  at 400 lf/min of air. The maximum junction temperature shall not exceed  $125^\circ\text{C}$  on electrical parameters.

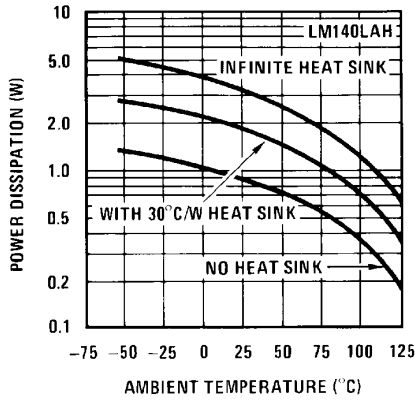
**Note 3:** It is recommended that a minimum load capacitor of  $0.01\text{ }\mu\text{F}$  be used to limit the high frequency noise bandwidth.

**Note 4:** The temperature coefficient of  $V_{OUT}$  is typically within  $0.01\%$   $V_O/^\circ\text{C}$ .

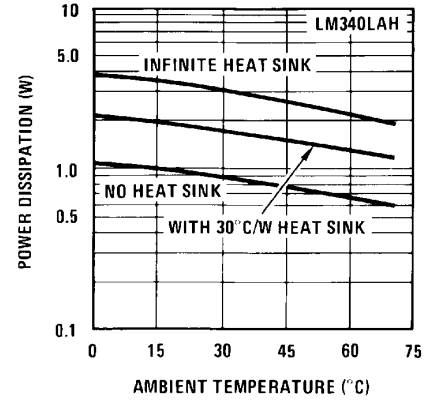
**Note 5:** A military RETS specification is available upon request. At the time of printing, the LM140LA-5.0, -12, and -15 RETS specifications complied with the Min and Max limits in this table. The LM140LAH-5.0, LM140LAH-12, and LM140LAH-15 may also be procured as Standard Military Drawings.

# Typical Performance Characteristics

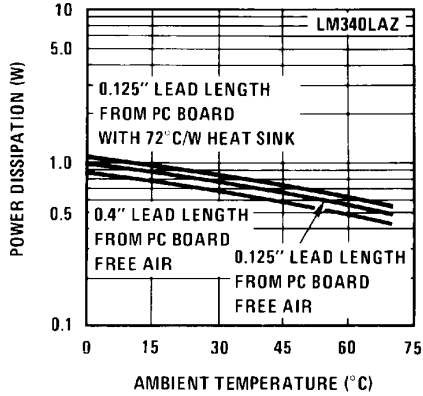
Maximum Average Power Dissipation



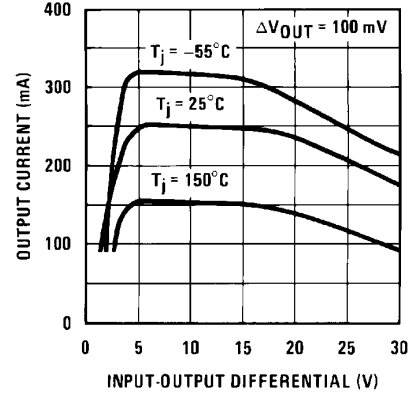
Maximum Average Power Dissipation (Metal Can Package)



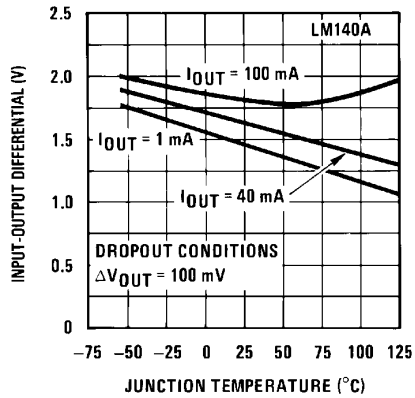
Maximum Average Power Dissipation (Plastic Package)



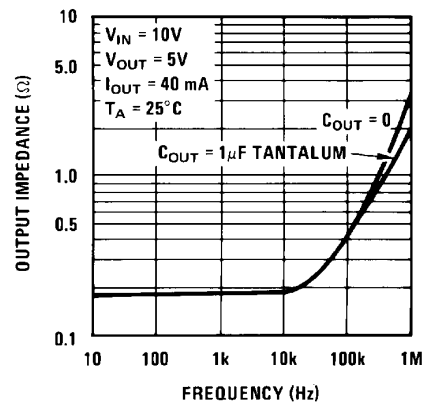
Peak Output Current



Dropout Voltage

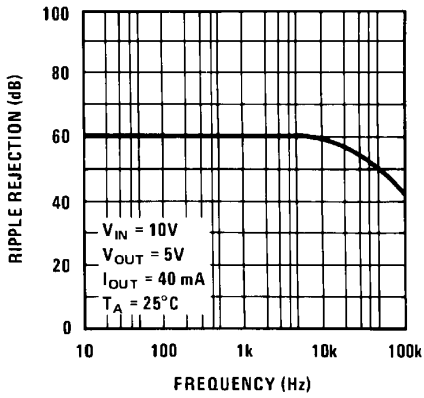


Output Impedance



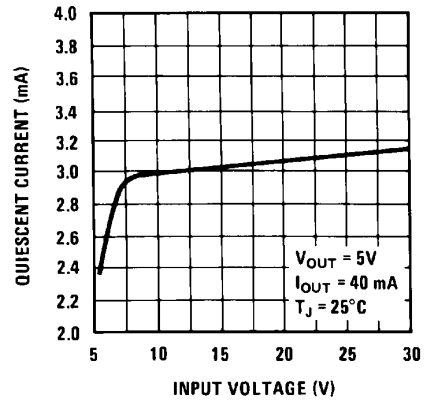
# Typical Performance Characteristics (Continued)

Ripple Rejection



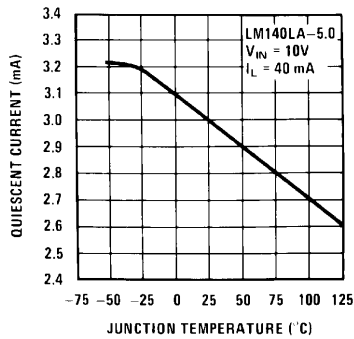
00778213

Quiescent Current



00778214

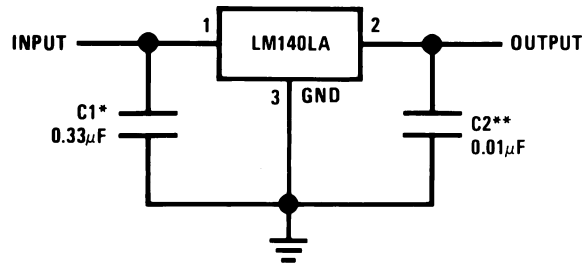
Quiescent Current



00778215

## Typical Applications

Fixed Output Regulator



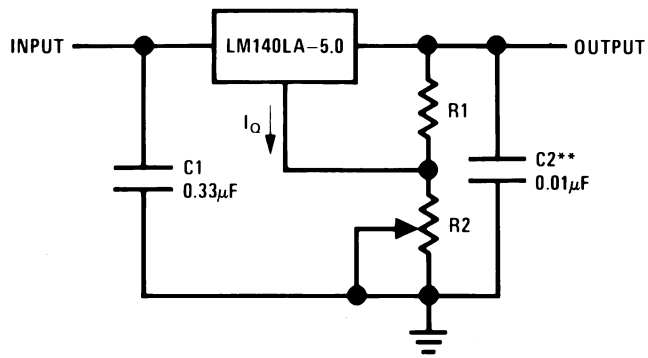
00778205

\*Required if the regulator is located far from the power supply filter.

\*\*See note 3 in the electrical characteristics table.

# Typical Applications (Continued)

## Adjustable Output Regulator

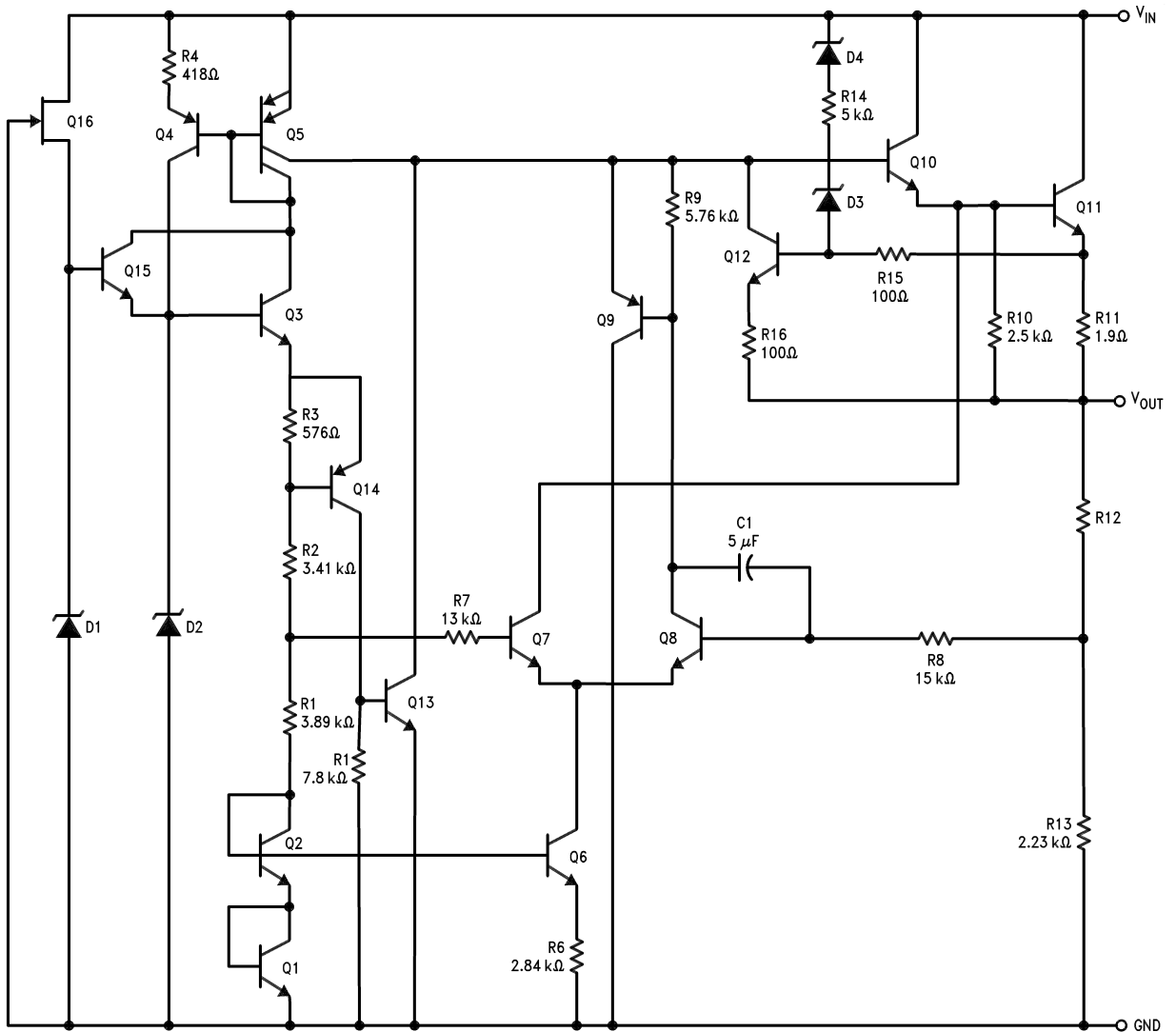


00778206

$$V_{OUT} = 5V + (5V/R1 + I_O) R2$$

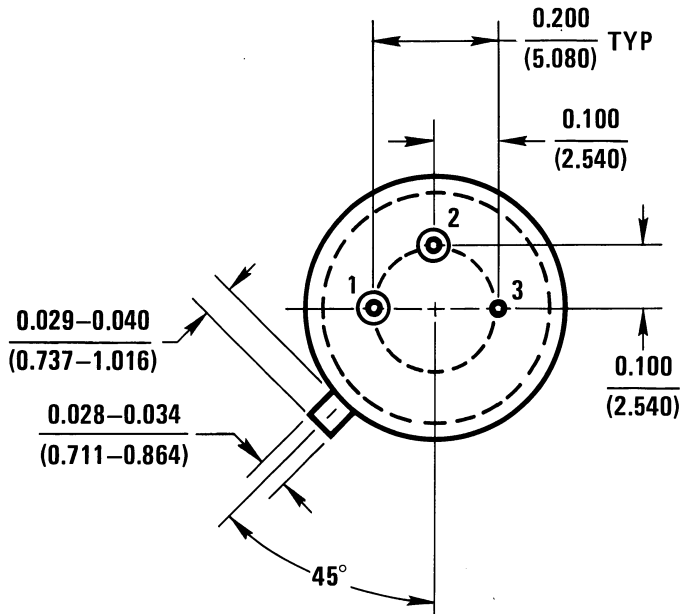
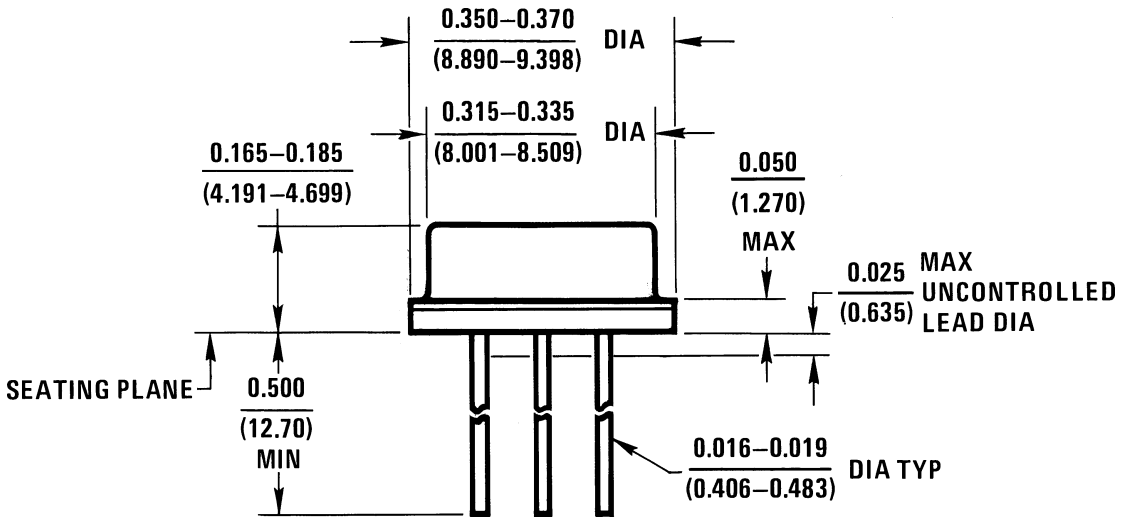
$$5V/R1 = 3 I_O \text{ load regulation (L.) } [(R1 + R2)/R1] \text{ (L, of LM140LA-5.0)}$$

## Equivalent Circuit



00778201

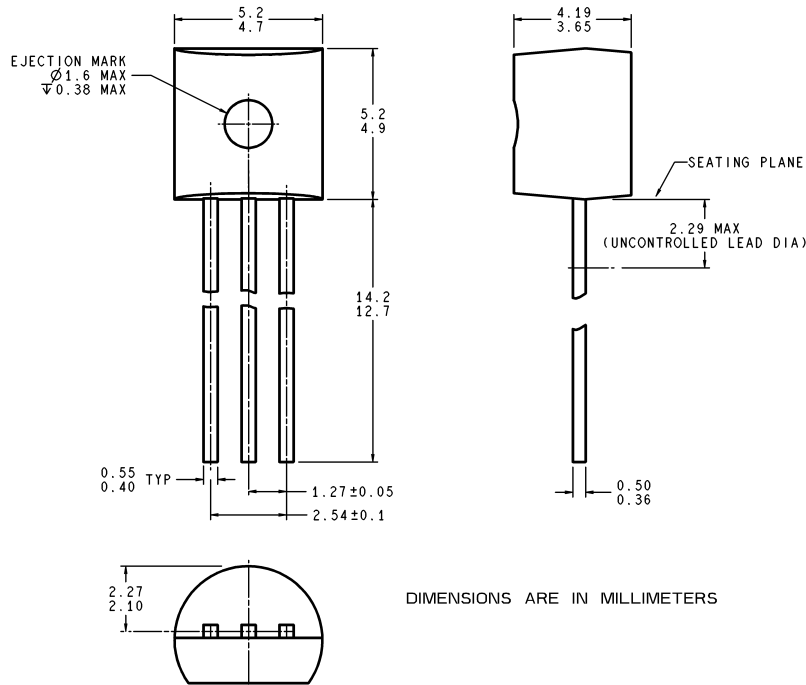
**Physical Dimensions** inches (millimeters) unless otherwise noted



H03A (REV B)

TO-39 Metal Can Package (H)  
 Order Number LM140LAH-5.0, LM140LAH-5.0/883, LM140LAH-12, LM140LAH-12/883,  
 LM140LAH-15, LM140LAH-15/883, LM340LAH-5.0, LM340LAH-12 or LM340LAH-15  
 NS Package Number H03A

**Physical Dimensions** inches (millimeters) unless otherwise noted (Continued)



Z03A (Rev 6)

**TO-92 Plastic Package (Z)**  
**Order Number LM340LAZ-5.0, LM340LAZ-12, or LM340LAZ-15**  
**NS Package Number Z03A**

National does not assume any responsibility for use of any circuitry described, no circuit patent licenses are implied and National reserves the right at any time without notice to change said circuitry and specifications.

For the most current product information visit us at [www.national.com](http://www.national.com).

**LIFE SUPPORT POLICY**


NATIONAL'S PRODUCTS ARE NOT AUTHORIZED FOR USE AS CRITICAL COMPONENTS IN LIFE SUPPORT DEVICES OR SYSTEMS WITHOUT THE EXPRESS WRITTEN APPROVAL OF THE PRESIDENT AND GENERAL COUNSEL OF NATIONAL SEMICONDUCTOR CORPORATION. As used herein:

- Life support devices or systems are devices or systems which, (a) are intended for surgical implant into the body, or (b) support or sustain life, and whose failure to perform when properly used in accordance with instructions for use provided in the labeling, can be reasonably expected to result in a significant injury to the user.
- A critical component is any component of a life support device or system whose failure to perform can be reasonably expected to cause the failure of the life support device or system, or to affect its safety or effectiveness.

**BANNED SUBSTANCE COMPLIANCE**

National Semiconductor manufactures products and uses packing materials that meet the provisions of the Customer Products Stewardship Specification (CSP-9-111C2) and the Banned Substances and Materials of Interest Specification (CSP-9-111S2) and contain no "Banned Substances" as defined in CSP-9-111S2.

Leadfree products are RoHS compliant.

 **National Semiconductor**  
**Americas Customer Support Center**  
 Email: [new.feedback@nsc.com](mailto:new.feedback@nsc.com)  
 Tel: 1-800-272-9959

**National Semiconductor**  
**Europe Customer Support Center**  
 Fax: +49 (0) 180-530 85 86  
 Email: [europa.support@nsc.com](mailto:europa.support@nsc.com)  
 Deutsch Tel: +49 (0) 69 9508 6208  
 English Tel: +44 (0) 870 24 0 2171  
 Français Tel: +33 (0) 1 41 91 8790

**National Semiconductor**  
**Asia Pacific Customer Support Center**  
 Email: [ap.support@nsc.com](mailto:ap.support@nsc.com)

**National Semiconductor**  
**Japan Customer Support Center**  
 Fax: 81-3-5639-7507  
 Email: [jpn.feedback@nsc.com](mailto:jpn.feedback@nsc.com)  
 Tel: 81-3-5639-7560