

## LM111QML Voltage Comparator

Check for Samples: [LM111QML](#)

### FEATURES

- Available with radiation ensured
  - High Dose Rate 50 krad(Si)
  - Low Dose and ELDRS Free 100 krad(Si)
- Operates from single 5V supply
- Input current: 200 nA max. over temperature
- Offset current: 20 nA max. over temperature
- Differential input voltage range:  $\pm 30V$
- Power consumption: 135 mW at  $\pm 15V$
- Power supply voltage, single 5V to  $\pm 15V$
- Offset voltage null capability
- Strobe capability

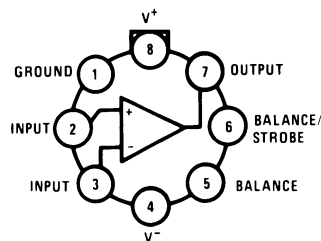
### DESCRIPTION

The LM111 is a voltage comparator that has input currents nearly a thousand times lower than devices such as the LM106 or LM710. It is also designed to operate over a wider range of supply voltages: from standard  $\pm 15V$  op amp supplies down to the single 5V supply used for IC logic. The output is compatible with RTL, DTL and TTL as well as MOS circuits. Further, it can drive lamps or relays, switching voltages up to 50V at currents as high as 50 mA.

Both the inputs and the output of the LM111 can be isolated from system ground, and the output can drive loads referred to ground, the positive supply or the negative supply. Offset balancing and strobe capability are provided and outputs can be wire OR'ed. Although slower than the LM106 and LM710 (200 ns response time vs 40 ns) the device is also much less prone to spurious oscillations. The LM111 has the same pin configuration as the LM106 and LM710.

### Connection Diagrams

#### TO-99 Package



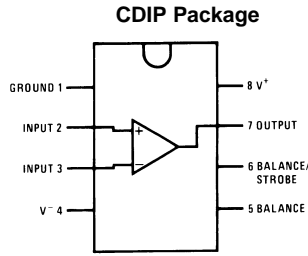
Note: Pin 4 connected to case

Figure 1. Top View  
Package Number LMC0008C

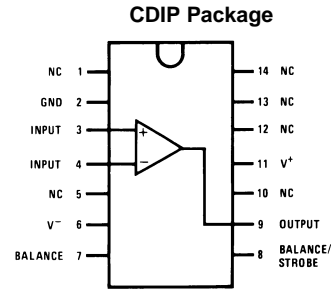


Please be aware that an important notice concerning availability, standard warranty, and use in critical applications of Texas Instruments semiconductor products and disclaimers thereto appears at the end of this data sheet.

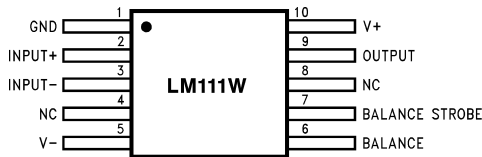
All trademarks are the property of their respective owners.



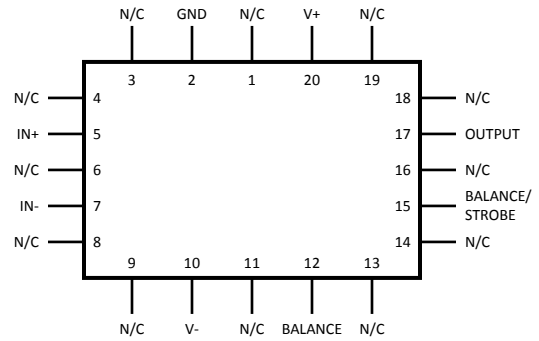
**Figure 2. Top View  
Package Number NAB008A**



**Figure 3. Top View  
Package Number J0014A**

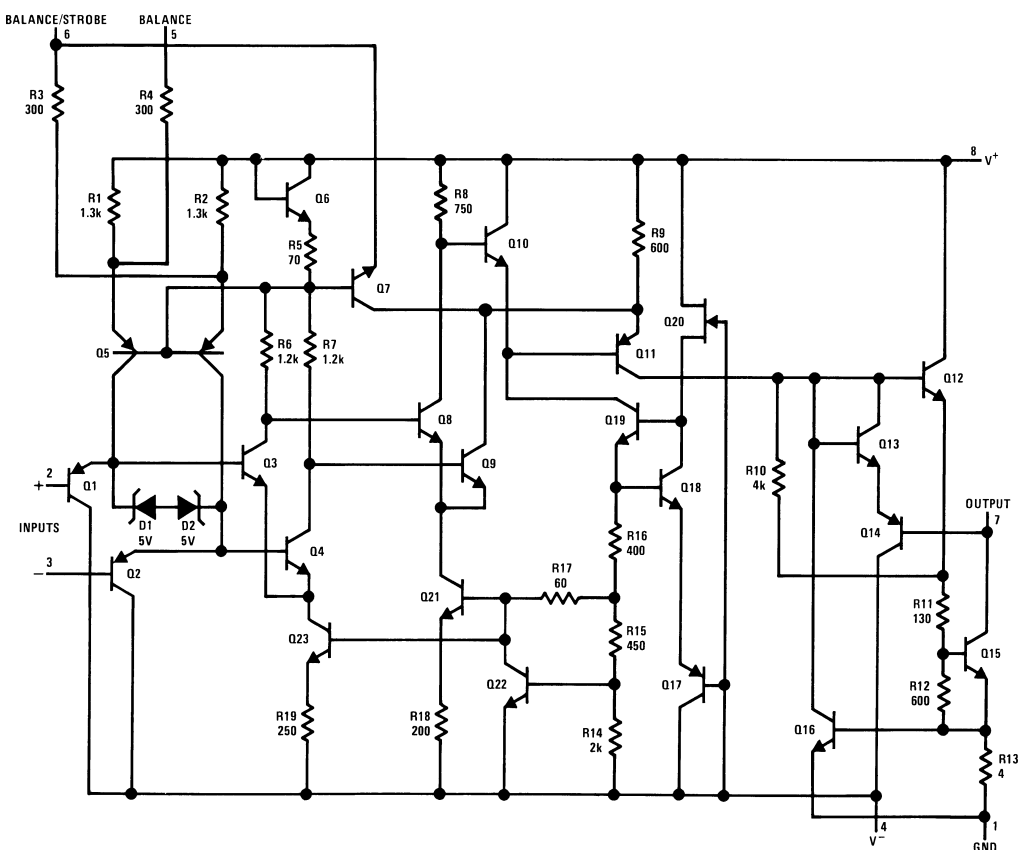


**Figure 4. Top View  
Package Number NAC0010A, NAD0010A**



**Figure 5. Top View  
Package Number NAJ0020A**

Schematic Diagram



Pin connections shown on schematic diagram are for LMC0008C package.

Figure 6.



These devices have limited built-in ESD protection. The leads should be shorted together or the device placed in conductive foam during storage or handling to prevent electrostatic damage to the MOS gates.

**Absolute Maximum Ratings** <sup>(1)</sup>

Positive Supply Voltage	+30.0V
Negative Supply Voltage	-30.0V
Total Supply Voltage	36V
Output to Negative Supply Voltage	50V
GND to Negative Supply Voltage	30V
Differential Input Voltage	±30V
Sink Current	50mA
Input Voltage <sup>(2)</sup>	±15V
Power Dissipation <sup>(3)</sup>	
8 LD CDIP	400mW at 25°C
8 LD TO-99	330mW at 25°C
10 LD CLGA	330mW at 25°C
10 LD CLGA	330mW at 25°C
20 LD LCCC	500mW at 25°C
Output Short Circuit Duration	10 seconds
Maximum Strobe Current	10mA
Operating Temperature Range	-55°C ≤ T <sub>A</sub> ≤ 125°C
Thermal Resistance	
<b>θ<sub>JA</sub></b>	
8 LD CDIP (Still Air at 0.5W)	134°C/W
8 LD CDIP (500LF/Min Air flow at 0.5W)	76°C/W
8 LD TO-99 (Still Air at 0.5W)	162°C/W
8 LD TO-99 (500LF/Min Air flow at 0.5W)	92°C/W
10 LD CLGA (Still Air at 0.5W)	231°C/W
10 LD CLGA (500LF/Min Air flow at 0.5W)	153°C/W
10 LD CLGA (Still Air at 0.5W)	231°C/W
10 LD CLGA (500LF/Min Air flow at 0.5W)	153°C/W
14 LD CDIP (Still Air at 0.5W)	97°C/W
14 LD CDIP (500LF/Min Air flow at 0.5W)	65°C/W
20 LD LCCC (Still Air at 0.5W)	90°C/W
20 LD LCCC (500LF/Min Air flow at 0.5W)	65°C/W
<b>θ<sub>Jc</sub></b>	
8 LD CDIP	21°C/W
8 LD TO-99	50°C/W
10 LD CLGA	24°C/W
10 LD CLGA	24°C/W
14 LD CDIP	20°C/W
20 LD LCCC	21°C/W

- (1) Absolute Maximum Ratings indicate limits beyond which damage to the device may occur. Operating Ratings indicate conditions for which the device is functional, but do not ensure specific performance limits. For specifications and test conditions, see the Electrical Characteristics tables. The specifications apply only for the test conditions listed. Some performance characteristics may degrade when the device is not operated under the listed test conditions.
- (2) This rating applies for ±15V supplies. The positive input voltage limits is 30 V above the negative supply. The negative input voltage limits is equal to the negative supply voltage or 30V below the positive supply, whichever is less.
- (3) The maximum power dissipation must be derated at elevated temperatures and is dictated by T<sub>Jmax</sub> (maximum junction temperature), θ<sub>JA</sub> (package junction to ambient thermal resistance), and T<sub>A</sub> (ambient temperature). The maximum allowable power dissipation at any temperature is P<sub>Dmax</sub> = (T<sub>Jmax</sub> - T<sub>A</sub>)/θ<sub>JA</sub> or the number given in the Absolute Maximum Ratings, whichever is lower.

**Absolute Maximum Ratings <sup>(1)</sup> (continued)**

Storage Temperature Range	$-65^{\circ}\text{C} \leq T_A \leq 150^{\circ}\text{C}$
Maximum Junction Temperature	175°C
Lead Temperature (Soldering, 60 seconds)	300°C
Voltage at Strobe Pin	$V^+ = -5\text{V}$
Package Weight (Typical)	
8 LD TO-99	965mg
8 LD CDIP	1100mg
10 LD CLGA	250mg
10 LD CLGA	225mg
14 LD CDIP	TBD
20 LD LCCC	TBD
ESD Rating <sup>(4)</sup>	300V

(4) Human body model, 1.5 kΩ in series with 100 pF.

**Recommended Operating Conditions**

Supply Voltage	$V_{CC} = \pm 15V_{DC}$
Operating Temperature Range	$-55^{\circ}\text{C} \leq T_A \leq 125^{\circ}\text{C}$

**Quality Conformance Inspection**
**Table 1. Mil-Std-883, Method 5005 - Group A**

Subgroup	Description	Temperature (°C)
1	Static tests at	+25
2	Static tests at	+125
3	Static tests at	-55
4	Dynamic tests at	+25
5	Dynamic tests at	+125
6	Dynamic tests at	-55
7	Functional tests at	+25
8A	Functional tests at	+125
8B	Functional tests at	-55
9	Switching tests at	+25
10	Switching tests at	+125
11	Switching tests at	-55

### LM111/883 Electrical Characteristics DC Parameters<sup>(1)</sup>

The following conditions apply, unless otherwise specified.  $V_{56} = 0$ ,  $R_S = 0 \Omega$ ,  $V_{CC} = \pm 15V$ ,  $V_{CM} = 0$ ,  $V_O = 1.4V$  WRT  $-V_{CC}$   
 The pin assignments are based on the 8 pin package configuration. <sup>(2)</sup>

Symbol	Parameter	Conditions	Notes	Min	Max	Unit	Sub-groups
$I_{IO}$	Input Offset Current	$V_{CM} = 13.5V$ , $R_S = 50K\Omega$		-10	10	nA	1
				-20	20	nA	2, 3
		$V_{CM} = 13.5V$ , $V_{85} = V_{86} = 0V$ , $R_S = 50K\Omega$	(2)	-30	30	nA	1
				-10	10	nA	1
		$V_{CM} = -14.5V$ , $R_S = 50K\Omega$		-10	10	nA	1
				-20	20	nA	2, 3
		$V_{CM} = -14.5V$ , $V_{85} = V_{86} = 0V$ , $R_S = 50K\Omega$	(2)	-30	30	nA	1
$I_{IB}$	Input Bias Current	$V_{CM} = 13.5V$ , $R_S = 50K\Omega$			100	nA	1
					150	nA	2, 3
		$V_{CM} = -14.5V$ , $R_S = 50K\Omega$			100	nA	1
					150	nA	2, 3
		$R_S = 50K\Omega$			100	nA	1
					150	nA	2, 3
		$V_{85} = V_{86} = 0V$ , $R_S = 50K\Omega$	(2)	-30	30	nA	1
$I_{OL}$	Output Leakage Current	$V_{CC} = \pm 18V$ , $I_5 + I_6 = 5mA$ , $V_O = 35V$ WRT $-V_{CC}$	(2)		10	nA	1
			(2)		500	nA	2, 3
$I_{GL}$	Ground Leakage Current	$V_{CC} = \pm 18V$ , $I_5 + I_6 = 5mA$ , $V_O = 50V$ WRT $-V_{CC}$	(2)		25	nA	1
			(2)		500	nA	2
$V_{Sat}$	Saturation Voltage	$V_I = -5mV$ , $I_7 = 50mA$	(2)		1.5	V	1, 2, 3
		$V_I = -6mV$ , $I_7 = 8mA$	(2)		0.4	V	1, 2, 3
$-I_{CC}$	Negative Supply Current				5.0	mA	1, 2
					15	mA	3
$+I_{CC}$	Positive Supply Current				6.0	mA	1, 2
					15	mA	3
$I_{L1}$	Input Leakage Current	$V_{CC} = \pm 18V$ , $V_{28} = 1V$ , $V_{38} = 30V$ , $I_5 + I_6 = 5mA$ , $V_O = 50V$ WRT $-V_{CC}$	(2)		10	nA	1
			(2)		30	nA	2
$I_{L2}$	Input Leakage Current	$V_{CC} = \pm 18V$ , $V_{38} = 1V$ , $V_{28} = 30V$ , $I_5 + I_6 = 5mA$ , $V_O = 50V$ WRT $-V_{CC}$	(2)		10	nA	1
			(2)		30	nA	2
$V_{OSt}$	Collector Output Voltage (Strobe)	$I_{St} = 3mA$		14		V	1
				14		V	1

(1) Calculated parameter.

(2) Pin names based on an 8 pin package configuration. When using higher pin count packages then: Pin 2 & 3 are Inputs, Pin 5 is Balance, Pin 6 is Balance /Strobe, Pin 7 is Output, and Pin 8 is  $V^+$ . For example:  $V_{56}$  is the Voltage between the Balance and Balance / Strobe pins.

**LM111/883 Electrical Characteristics DC Parameters<sup>(1)</sup> (continued)**

The following conditions apply, unless otherwise specified.  $V_{56} = 0$ ,  $R_S = 0 \Omega$ ,  $V_{CC} = \pm 15V$ ,  $V_{CM} = 0$ ,  $V_O = 1.4V$  WRT  $-V_{CC}$   
 The pin assignments are based on the 8 pin package configuration. <sup>(2)</sup>

Symbol	Parameter	Conditions	Notes	Min	Max	Unit	Sub-groups
$V_{IO}$	Input Offset Voltage	$V_{CM} = 13.5V$		-3.0	3.0	mV	1
				-4.0	4.0	mV	2, 3
		$V_{CM} = 13.5V, V_{85} = V_{86} = 0V$	<sup>(2)</sup>	-3.0	3.0	mV	1
				-3.0	3.0	mV	1
		$V_{CM} = -14.5V$		-3.0	3.0	mV	1
				-4.0	4.0	mV	2, 3
		$V_{CM} = -14.5V, V_{85} = V_{86} = 0V$	<sup>(2)</sup>	-3.0	3.0	mV	1
				-3.0	3.0	mV	1
			-4.0	4.0	mV	2, 3	
		$V_{85} = V_{86} = 0V$	<sup>(2)</sup>	-3.0	3.0	mV	1
				-3.0	3.0	mV	1
		$V_O = 0.4V, +V_{CC} = 4.5V,$ $-V_{CC} = 0V, V_{CM} = 3V$		-5.0	5.0	mV	1
	-6.0		6.0	mV	2, 3		
$V_O = 4.5V, +V_{CC} = 4.5V,$ $-V_{CC} = 0V, V_{CM} = 3V$		-3.0	3.0	mV	1		
		-4.0	4.0	mV	2, 3		
$V_O = 0.4V, +V_{CC} = 4.5V,$ $-V_{CC} = 0V, V_{CM} = 0.5V$		-5.0	5.0	mV	1		
		-6.0	6.0	mV	2, 3		
$V_O = 4.5V, +V_{CC} = 4.5V,$ $-V_{CC} = 0V, V_{CM} = 0.5V$		-3.0	3.0	mV	1		
		-4.0	4.0	mV	2, 3		
$A_{VS}$	Large Signal Gain	$-12V \leq V_O \leq 35V, R_L = 1K\Omega$	<sup>(3)</sup>	40		V/mV	4
			<sup>(3)</sup>	30		V/mV	5, 6

(3) Datalog reading in  $K=V/mV$ .

**LM111/883 Electrical Characteristics AC Parameters<sup>(1)</sup>**

The following conditions apply, unless otherwise specified.  $V_{56} = 0$ ,  $R_S = 0 \Omega$ ,  $V_{CC} = \pm 15V$ ,  $V_{CM} = 0$ ,  $V_O = 1.4V$  WRT  $-V_{CC}$   
 The pin assignments are based on the 8 pin package configuration. <sup>(2)</sup>

Symbol	Parameter	Conditions	Notes	Min	Max	Unit	Sub-groups
tR	Response Time				400	nS	7

(1) Calculated parameter.

(2) Pin names based on an 8 pin package configuration. When using higher pin count packages then: Pin 2 & 3 are Inputs, Pin 5 is Balance, Pin 6 is Balance /Strobe, Pin 7 is Output, and Pin 8 is  $V^*$ . For example:  $V_{56}$  is the Voltage between the Balance and Balance / Strobe pins.

**LM111-SMD Electrical Characteristics SMD 5962-8687701 DC Parameters<sup>(1)</sup>**

The following conditions apply, unless otherwise specified.  $V_{CC} = \pm 15V$ ,  $V_{CM} = 0$

Symbol	Parameter	Conditions	Notes	Min	Max	Unit	Sub-groups
$V_{IO}$	Input Offset Voltage	$V_I = 0V, R_S = 50\Omega$		-3.0	+3.0	mV	1
				-4.0	+4.0	mV	2, 3
		$+V_{CC} = 29.5V, -V_{CC} = -0.5V,$ $V_I = 0V, V_{CM} = -14.5V,$ $R_S = 50\Omega$		-3.0	+3.0	mV	1
				-4.0	+4.0	mV	2, 3
		$+V_{CC} = 2V, -V_{CC} = -28V,$ $V_I = 0V, V_{CM} = +13V,$ $R_S = 50\Omega$		-3.0	+3.0	mV	1
				-4.0	+4.0	mV	2, 3
$+V_{CC} = +2.5V, -V_{CC} = -2.5V,$ $V_I = 0V,$ $R_S = 50\Omega$		-3.0	+3.0	mV	1		
		-4.0	+4.0	mV	2, 3		

(1) Calculated parameter.

**LM111-SMD Electrical Characteristics SMD 5962-8687701 DC Parameters<sup>(1)</sup> (continued)**

 The following conditions apply, unless otherwise specified.  $V_{CC} = \pm 15V$ ,  $V_{CM} = 0$ 

Symbol	Parameter	Conditions	Notes	Min	Max	Unit	Sub-groups
$V_{IO R}$	Raised Input Offset Voltage	$V_I = 0V$ , $R_S = 50\Omega$	(2)	-3.0	+3.0	mV	1
				-4.5	+4.5	mV	2, 3
		$+V_{CC} = 29.5V$ , $-V_{CC} = -0.5V$ , $V_I = 0V$ , $V_{CM} = -14.5V$ , $R_S = 50\Omega$	(2)	-3	+3	mV	1
				-4.5	+4.5	mV	2, 3
$+V_{CC} = 2V$ , $-V_{CC} = -28V$ , $V_I = 0V$ , $V_{CM} = +13V$ , $R_S = 50\Omega$	(2)	-3.0	+3.0	mV	1		
		-4.5	+4.5	mV	2, 3		
$I_{IO}$	Input Offset Current	$V_I = 0V$ , $R_S = 50K\Omega$		-10	+10	nA	1, 2
				-20	+20	nA	3
		$+V_{CC} = 29.5V$ , $-V_{CC} = -0.5V$ , $V_I = 0V$ , $V_{CM} = -14.5V$ , $R_S = 50K\Omega$		-10	+10	nA	1, 2
				-20	+20	nA	3
$+V_{CC} = 2V$ , $-V_{CC} = -28V$ , $V_I = 0V$ , $V_{CM} = +13V$ , $R_S = 50K\Omega$		-10	+10	nA	1, 2		
		-20	+20	nA	3		
$I_{IO R}$	Raised Input Offset Current	$V_I = 0V$ , $R_S = 50K\Omega$	(2)	-25	+25	nA	1, 2
				-50	+50	nA	3
$\pm I_{IB}$	Input Bias Current	$V_I = 0V$ , $R_S = 50K\Omega$		-100	0.1	nA	1, 2
				-150	0.1	nA	3
		$+V_{CC} = 29.5V$ , $-V_{CC} = -0.5V$ , $V_I = 0V$ , $V_{CM} = -14.5V$ , $R_S = 50K\Omega$		-150	0.1	nA	1, 2
				-200	0.1	nA	3
$+V_{CC} = 2V$ , $-V_{CC} = -28V$ , $V_I = 0V$ , $V_{CM} = +13V$ , $R_S = 50K\Omega$		-150	0.1	nA	1, 2		
		-200	0.1	nA	3		
$V_{OSt}$	Collector Output Voltage (Strobe)	$+V_I = Gnd$ , $-V_I = 15V$ , $I_{St} = -3mA$ , $R_S = 50\Omega$		<sup>(3)(4)</sup> 14		V	1, 2, 3
CMRR	Common Mode Rejection Ratio	$-28V \leq -V_{CC} \leq -0.5V$ , $R_S = 50\Omega$ , $2V \leq +V_{CC} \leq 29.5V$ , $R_S = 50\Omega$ , $-14.5V \leq V_{CM} \leq 13V$ , $R_S = 50\Omega$		80		dB	1, 2, 3
$V_{OL}$	Low Level Output Voltage	$+V_{CC} = 4.5V$ , $-V_{CC} = Gnd$ , $I_O = 8mA$ , $\pm V_I = 0.71V$ , $V_{ID} = -6mV$			0.4	V	1, 2, 3
					0.4	V	1, 2, 3
		$I_O = 50mA$ , $\pm V_I = 13V$ , $V_{ID} = -5mV$			1.5	V	1, 2, 3
					1.5	V	1, 2, 3
$I_{CEX}$	Output Leakage Current	$+V_{CC} = 18V$ , $-V_{CC} = -18V$ , $V_O = 32V$		-1.0	10	nA	1
				-1.0	500	nA	2
$I_L$	Input Leakage Current	$+V_{CC} = 18V$ , $-V_{CC} = -18V$ , $+V_I = +12V$ , $-V_I = -17V$	(5)	-5.0	500	nA	1, 2, 3
				$+V_{CC} = 18V$ , $-V_{CC} = -18V$ , $+V_I = -17V$ , $-V_I = +12V$	(5)	-5.0	500
$+I_{CC}$	Power Supply Current				6.0	mA	1, 2
					7.0	mA	3

(2) Subscript (R) indicates tests which are performed with input stage current raised by connecting BAL and BAL/STB terminals to  $+V_{CC}$ .(3)  $I_{ST} = -2mA$  at  $-55^\circ C$ 

(4) Group A sample ONLY

(5)  $V_{ID}$  is voltage difference between inputs.

**LM111-SMD Electrical Characteristics SMD 5962-8687701 DC Parameters<sup>(1)</sup> (continued)**

 The following conditions apply, unless otherwise specified.  $V_{CC} = \pm 15V$ ,  $V_{CM} = 0$ 

Symbol	Parameter	Conditions	Notes	Min	Max	Unit	Sub-groups
-I <sub>CC</sub>	Power Supply Current			-5.0		mA	1, 2
				-6.0		mA	3
$\Delta V_{IO} / \Delta T$	Temperature Coefficient Input Offset Voltage	25°C ≤ T ≤ 125°C	(5) (4)	-25	25	μV/°C	2
		-55°C ≤ T ≤ 25°C	(5) (4)	-25	25	μV/°C	3
$\Delta I_{IO} / \Delta T$	Temperature Coefficient Input Offset Current	25°C ≤ T ≤ 125°C	(5) (4)	-100	100	pA/°C	2
		-55°C ≤ T ≤ 25°C	(5) (4)	-200	200	pA/°C	3
I <sub>OS</sub>	Short Circuit Current	V <sub>O</sub> = 5V, t ≤ 10mS, -V <sub>I</sub> = 0.1V, +V <sub>I</sub> = 0V	(6)		200	mA	1
			(6)		150	mA	2
			(6)		250	mA	3
+V <sub>IO</sub> adj.	Input Offset Voltage (Adjustment)	V <sub>O</sub> = 0V, V <sub>I</sub> = 0V, R <sub>S</sub> = 50Ω		5.0		mV	1
-V <sub>IO</sub> adj.	Input Offset Voltage (Adjustment)	V <sub>O</sub> = 0V, V <sub>I</sub> = 0V, R <sub>S</sub> = 50Ω			-5.0	mV	1
±A <sub>VE</sub>	Voltage Gain (Emitter)	R <sub>L</sub> = 600Ω	(7)	10		V/mV	4
			(7)	8.0		V/mV	5, 6

(6) Actual min. limit used is 5mA due to test setup.

(7) Datalog reading in K=V/mV.

**LM111-SMD Electrical Characteristics SMD 5962-8687701 AC Parameters<sup>(1)</sup>**

 The following conditions apply, unless otherwise specified.  $V_{CC} = \pm 15V$ ,  $V_{CM} = 0$ 

Symbol	Parameter	Conditions	Notes	Min	Max	Unit	Sub-groups
t <sub>R_LHC</sub>	Response Time (Collector Output)	V <sub>OD</sub> (Overdrive) = -5mV, C <sub>L</sub> = 50pF, V <sub>I</sub> = -100mV	(2)		300	nS	7, 8B
			(2)		640	nS	8A
t <sub>R_HLC</sub>	Response Time (Collector Output)	V <sub>OD</sub> (Overdrive) = 5mV, C <sub>L</sub> = 50pF, V <sub>I</sub> = 100mV	(2)		300	nS	7, 8B
			(2)		500	nS	8A

(1) Calculated parameter.

(2) Group A sample ONLY

**LM111 RADIATION Electrical Characteristics SMD 5962L0052401 DC Parameters<sup>(1)(2)</sup>**

 The following conditions apply, unless otherwise specified.  $V_{CC} = \pm 15V$ ,  $V_{CM} = 0$ 

Symbol	Parameter	Conditions	Notes	Min	Max	Unit	Sub-groups
V <sub>IO</sub>	Input Offset Voltage	V <sub>I</sub> = 0V, R <sub>S</sub> = 50Ω		-3.0	+3.0	mV	1
				-4.0	+4.0	mV	2, 3
		+V <sub>CC</sub> = 29.5V, -V <sub>CC</sub> = -0.5V, V <sub>I</sub> = 0V, V <sub>CM</sub> = -14.5V, R <sub>S</sub> = 50Ω		-3.0	+3.0	mV	1
				-4.0	+4.0	mV	2, 3
		+V <sub>CC</sub> = 2V, -V <sub>CC</sub> = -28V, V <sub>I</sub> = 0V, V <sub>CM</sub> = +13V, R <sub>S</sub> = 50Ω		-3.0	+3.0	mV	1
				-4.0	+4.0	mV	2, 3
+V <sub>CC</sub> = +2.5V, -V <sub>CC</sub> = -2.5V, V <sub>I</sub> = 0V, R <sub>S</sub> = 50Ω		-3.0	+3.0	mV	1		
		-4.0	+4.0	mV	2, 3		

(1) Calculated parameter.

(2) Pre and post irradiation limits are identical to those listed under AC and DC electrical characteristics except as listed in the Post Radiation Limits Table. These parts may be dose rate sensitive in a space environment and demonstrate enhanced low dose rate effect. Radiation end point limits for the noted parameters are ensured only for the conditions as specified in Mil-Std-883, Method 1019, Condition A.

**LM111 RADIATION Electrical Characteristics SMD 5962L0052401 DC Parameters<sup>(1)(2)</sup> (continued)**

 The following conditions apply, unless otherwise specified.  $V_{CC} = \pm 15V$ ,  $V_{CM} = 0$ 

Symbol	Parameter	Conditions	Notes	Min	Max	Unit	Sub-groups
$V_{IO R}$	Raised Input Offset Voltage	$V_I = 0V$ , $R_S = 50\Omega$	(3)	-3.0	+3.0	mV	1
				-4.5	+4.5	mV	2, 3
		$+V_{CC} = 29.5V$ , $-V_{CC} = -0.5V$ , $V_I = 0V$ , $V_{CM} = -14.5V$ , $R_S = 50\Omega$	(3)	-3.0	+3.0	mV	1
				-4.5	+4.5	mV	2, 3
$+V_{CC} = 2V$ , $-V_{CC} = -28V$ , $V_I = 0V$ , $V_{CM} = +13V$ , $R_S = 50\Omega$	(3)	-3.0	+3.0	mV	1		
		-4.5	+4.5	mV	2, 3		
$I_{IO}$	Input Offset Current	$V_I = 0V$ , $R_S = 50K\Omega$		-10	+10	nA	1, 2
				-20	+20	nA	3
		$+V_{CC} = 29.5V$ , $-V_{CC} = -0.5V$ , $V_I = 0V$ , $V_{CM} = -14.5V$ , $R_S = 50K\Omega$		-10	+10	nA	1, 2
				-20	+20	nA	3
$+V_{CC} = 2V$ , $-V_{CC} = -28V$ , $V_I = 0V$ , $V_{CM} = +13V$ , $R_S = 50K\Omega$		-10	+10	nA	1, 2		
		-20	+20	nA	3		
$I_{IO R}$	Raised Input Offset Current	$V_I = 0V$ , $R_S = 50K\Omega$	(3)	-25	+25	nA	1, 2
				-50	+50	nA	3
$\pm I_{IB}$	Input Bias Current	$V_I = 0V$ , $R_S = 50K\Omega$		-100	0.1	nA	1, 2
				-150	0.1	nA	3
		$+V_{CC} = 29.5V$ , $-V_{CC} = -0.5V$ , $V_I = 0V$ , $V_{CM} = -14.5V$ , $R_S = 50K\Omega$		-150	0.1	nA	1, 2
				-200	0.1	nA	3
$+V_{CC} = 2V$ , $-V_{CC} = -28V$ , $V_I = 0V$ , $V_{CM} = +13V$ , $R_S = 50K\Omega$		-150	0.1	nA	1, 2		
		-200	0.1	nA	3		
$V_{OSt}$	Collector Output Voltage (Strobe)	$+V_I = Gnd$ , $-V_I = 15V$ , $I_{ST} = -3mA$ , $R_S = 50\Omega$		<sup>(4)(5)</sup> 14		V	1, 2, 3
CMRR	Common Mode Rejection Ratio	$-28V \leq -V_{CC} \leq -0.5V$ , $R_S = 50\Omega$ , $2V \leq +V_{CC} \leq 29.5V$ , $R_S = 50\Omega$ , $-14.5V \leq V_{CM} \leq 13V$ , $R_S = 50\Omega$		80		dB	1, 2, 3
$V_{OL}$	Low Level Output Voltage	$+V_{CC} = 4.5V$ , $-V_{CC} = Gnd$ , $I_O = 8mA$ , $\pm V_I = 0.5V$ , $V_{ID} = -6mV$			0.4	V	1, 2, 3
					0.4	V	1, 2, 3
		$I_O = 50mA$ , $\pm V_I = 13V$ , $V_{ID} = -5mV$			1.5	V	1, 2, 3
					1.5	V	1, 2, 3
$I_{CEX}$	Output Leakage Current	$+V_{CC} = 18V$ , $-V_{CC} = -18V$ , $V_O = 32V$		-1.0	10	nA	1
				-1.0	500	nA	2
$I_L$	Input Leakage Current	$+V_{CC} = 18V$ , $-V_{CC} = -18V$ , $+V_I = +12V$ , $-V_I = -17V$	(6)	-5.0	500	nA	1, 2, 3
				$+V_{CC} = 18V$ , $-V_{CC} = -18V$ , $+V_I = -17V$ , $-V_I = +12V$	(6)	-5.0	500
$+I_{CC}$	Power Supply Current				6.0	mA	1, 2
					7.0	mA	3

(3) Subscript (R) indicates tests which are performed with input stage current raised by connecting BAL and BAL/STB terminals to  $+V_{CC}$ .(4)  $I_{ST} = -2mA$  at  $-55^\circ C$ 

(5) Group A sample ONLY

(6)  $V_{ID}$  is voltage difference between inputs.

**LM111 RADIATION Electrical Characteristics SMD 5962L0052401 DC Parameters<sup>(1)(2)</sup> (continued)**

 The following conditions apply, unless otherwise specified.  $V_{CC} = \pm 15V$ ,  $V_{CM} = 0$ 

Symbol	Parameter	Conditions	Notes	Min	Max	Unit	Sub-groups
$-I_{CC}$	Power Supply Current			-5.0		mA	1, 2
				-6.0		mA	3
$\Delta V_{IO} / \Delta T$	Temperature Coefficient Input Offset Voltage	$25^{\circ}C \leq T \leq 125^{\circ}C$		-25	25	$\mu V/^{\circ}C$	2
		$-55^{\circ}C \leq T \leq 25^{\circ}C$		-25	25	$\mu V/^{\circ}C$	3
$\Delta I_{IO} / \Delta T$	Temperature Coefficient Input Offset Current	$25^{\circ}C \leq T \leq 125^{\circ}C$		-100	100	$pA/^{\circ}C$	2
		$-55^{\circ}C \leq T \leq 25^{\circ}C$		-200	200	$pA/^{\circ}C$	3
$I_{OS}$	Short Circuit Current	$V_O = 5V$ , $t \leq 10mS$ , $-V_I = 0.1V$ , $+V_I = 0V$	(7)		200	mA	1
			(7)		150	mA	2
			(7)		250	mA	3
$+V_{IO}$ adj.	Input Offset Voltage (Adjustment)	$V_O = 0V$ , $V_I = 0V$ , $R_S = 50\Omega$		5.0		mV	1
$-V_{IO}$ adj.	Input Offset Voltage (Adjustment)	$V_O = 0V$ , $V_I = 0V$ , $R_S = 50\Omega$			-5.0	mV	1
$\pm A_{VE}$	Voltage Gain (Emitter)	$R_L = 600\Omega$	(8)	10		V/mV	4
			(8)	8.0		V/mV	5, 6

(7) Actual min. limit used is 5mA due to test setup.

 (8) Datalog reading in  $K=V/mV$ .

**LM111 RADIATION Electrical Characteristics SMD 5962L0052401 AC Parameters<sup>(1)(2)</sup>**

 The following conditions apply, unless otherwise specified.  $V_{CC} = \pm 15V$ ,  $V_{CM} = 0$ 

Symbol	Parameter	Conditions	Notes	Min	Max	Unit	Sub-groups
$t_{RLHC}$	Response Time (Collector Output)	$V_{OD}(\text{Overdrive}) = -5mV$ , $C_L = 50pF$ , $V_I = -100mV$	(3)		300	nS	7, 8B
					640	nS	8A
$t_{RHLC}$	Response Time (Collector Output)	$V_{OD}(\text{Overdrive}) = 5mV$ , $C_L = 50pF$ , $V_I = 100mV$	(3)		300	nS	7, 8B
					500	nS	8A

(1) Calculated parameter.

(2) Pre and post irradiation limits are identical to those listed under AC and DC electrical characteristics except as listed in the Post Radiation Limits Table. These parts may be dose rate sensitive in a space environment and demonstrate enhanced low dose rate effect. Radiation end point limits for the noted parameters are ensured only for the conditions as specified in Mil-Std-883, Method 1019, Condition A.

(3) Group A sample ONLY

**LM111 RADIATION Electrical Characteristics SMD 5962L0052401 DC DELTA Parameters<sup>(1)(2)</sup>**

 The following conditions apply, unless otherwise specified.  $V_{CC} = \pm 15V$ ,  $V_{CM} = 0$ 

Delta calculations performed on QMLV devices at group B , subgroup 5.

Symbol	Parameter	Conditions	Notes	Min	Max	Unit	Sub-groups
$V_{IO}$	Input Offset Voltage	$V_I = 0V$ , $R_S = 50\Omega$		-0.5	0.5	mV	1
		$+V_{CC} = 29.5V$ , $-V_{CC} = -0.5V$ , $V_I = 0V$ , $V_{CM} = -14.5V$ , $R_S = 50\Omega$		-0.5	0.5	mV	1
		$+V_{CC} = 2V$ , $-V_{CC} = -28V$ , $V_I = 0V$ , $V_{CM} = +13V$ , $R_S = 50\Omega$		-0.5	0.5	mV	1

(1) Calculated parameter.

(2) Pre and post irradiation limits are identical to those listed under AC and DC electrical characteristics except as listed in the Post Radiation Limits Table. These parts may be dose rate sensitive in a space environment and demonstrate enhanced low dose rate effect. Radiation end point limits for the noted parameters are ensured only for the conditions as specified in Mil-Std-883, Method 1019, Condition A.

### LM111 RADIATION Electrical Characteristics SMD 5962L0052401 DC DELTA Parameters<sup>(1)(2)</sup> (continued)

The following conditions apply, unless otherwise specified.  $V_{CC} = \pm 15V$ ,  $V_{CM} = 0$   
Delta calculations performed on QMLV devices at group B , subgroup 5.

Symbol	Parameter	Conditions	Notes	Min	Max	Unit	Sub-groups
$\pm I_{IB}$	Input Bias Current	$V_I = 0V$ , $R_S = 50K\Omega$		-12.5	12.5	nA	1
		$+V_{CC} = 29.5V$ , $-V_{CC} = -0.5V$ , $V_I = 0V$ , $V_{CM} = -14.5V$ , $R_S = 50K\Omega$		-12.5	12.5	nA	1
		$+V_{CC} = 2V$ , $-V_{CC} = -28V$ , $V_I = 0V$ , $V_{CM} = +13V$ , $R_S = 50K\Omega$		-12.5	12.5	nA	1
$I_{CEX}$	Output Leakage Current	$+V_{CC} = 18V$ , $-V_{CC} = -18V$ , $V_O = 32V$		-5.0	5.0	nA	1

### LM111 RADIATION Electrical Characteristics SMD 5962L0052401 Post Radiation Parameters<sup>(1)(2)</sup>

The following conditions apply, unless otherwise specified

Symbol	Parameter	Conditions	Notes	Min	Max	Unit	Sub-groups
$I_{IO}$	Input Offset Current	$+V_{CC} = 29.5V$ , $-V_{CC} = -0.5V$ , $V_I = 0V$ , $V_{CM} = -14.5V$ , $R_S = 50K\Omega$		-50	+50	nA	1
		$+V_{CC} = 2V$ , $-V_{CC} = -28V$ , $V_I = 0V$ , $V_{CM} = +13V$ , $R_S = 50K\Omega$		-50	+50	nA	1
$\pm I_{IB}$	Input Bias Current	$V_I = 0V$ , $R_S = 50K\Omega$		-150	0.1	nA	1
		$+V_{CC} = 29.5V$ , $-V_{CC} = -0.5V$ , $V_I = 0V$ , $V_{CM} = -14.5V$ , $R_S = 50K\Omega$		-175	0.1	nA	1
$I_{CEX}$	Output Leakage Current	$+V_{CC} = 18V$ , $-V_{CC} = -18V$ , $V_O = 32V$		-25	+25	nA	1

(1) Calculated parameter.

(2) Pre and post irradiation limits are identical to those listed under AC and DC electrical characteristics except as listed in the Post Radiation Limits Table. These parts may be dose rate sensitive in a space environment and demonstrate enhanced low dose rate effect. Radiation end point limits for the noted parameters are ensured only for the conditions as specified in Mil-Std-883, Method 1019, Condition A.

### LM111 RADIATION Electrical Characteristics SMD 5962R0052402 DC Parameters<sup>(1)(2)</sup>

The following conditions apply, unless otherwise specified.  $V_{CC} = \pm 15V$ ,  $V_{CM} = 0$

Symbol	Parameter	Conditions	Notes	Min	Max	Unit	Sub-groups
$V_{IO}$	Input Offset Voltage	$V_I = 0V$ , $R_S = 50\Omega$		-3.0	+3.0	mV	1
				-4.0	+4.0	mV	2, 3
		$+V_{CC} = 29.5V$ , $-V_{CC} = -0.5V$ , $V_I = 0V$ , $V_{CM} = -14.5V$ , $R_S = 50\Omega$		-3.0	+3.0	mV	1
				-4.0	+4.0	mV	2, 3
		$+V_{CC} = 2V$ , $-V_{CC} = -28V$ , $V_I = 0V$ , $V_{CM} = +13V$ , $R_S = 50\Omega$		-3.0	+3.0	mV	1
				-4.0	+4.0	mV	2, 3
$+V_{CC} = +2.5V$ , $-V_{CC} = -2.5V$ , $V_I = 0V$ , $R_S = 50\Omega$		-3.0	+3.0	mV	1		
		-4.0	+4.0	mV	2, 3		

(1) Calculated parameter.

(2) Pre and post irradiation limits are identical to those listed under AC and DC electrical characteristics except as listed in the Post Radiation Limits Table. These parts may be sensitive in a high dose environment. Low dose rate testing has been performed on a wafer-by-wafer basis, per test method 1019 condition D of MIL-STD-883, with no enhanced low dose rate sensitivity (ELDRS) effect.

**LM111 RADIATION Electrical Characteristics SMD 5962R0052402 DC Parameters<sup>(1)(2)</sup> (continued)**

 The following conditions apply, unless otherwise specified.  $V_{CC} = \pm 15V$ ,  $V_{CM} = 0$ 

Symbol	Parameter	Conditions	Notes	Min	Max	Unit	Sub-groups
$V_{IO R}$	Raised Input Offset Voltage	$V_I = 0V$ , $R_S = 50\Omega$	(2)	-3.0	+3.0	mV	1
				-4.5	+4.5	mV	2, 3
		$+V_{CC} = 29.5V$ , $-V_{CC} = -0.5V$ , $V_I = 0V$ , $V_{CM} = -14.5V$ , $R_S = 50\Omega$	(2)	-3.0	+3.0	mV	1
				-4.5	+4.5	mV	2, 3
		$+V_{CC} = 2V$ , $-V_{CC} = -28V$ , $V_I = 0V$ , $V_{CM} = +13V$ , $R_S = 50\Omega$	(2)	-3.0	+3.0	mV	1
				-4.5	+4.5	mV	2, 3
$I_{IO}$	Input Offset Current	$V_I = 0V$ , $R_S = 50K\Omega$		-10	+10	nA	1, 2
				-20	+20	nA	3
		$+V_{CC} = 29.5V$ , $-V_{CC} = -0.5V$ , $V_I = 0V$ , $V_{CM} = -14.5V$ , $R_S = 50K\Omega$		-10	+10	nA	1, 2
				-20	+20	nA	3
		$+V_{CC} = 2V$ , $-V_{CC} = -28V$ , $V_I = 0V$ , $V_{CM} = +13V$ , $R_S = 50K\Omega$		-10	+10	nA	1, 2
				-20	+20	nA	3
$I_{IO R}$	Raised Input Offset Current	$V_I = 0V$ , $R_S = 50K\Omega$	(2)	-25	+25	nA	1, 2
				-50	+50	nA	3
$\pm I_{IB}$	Input Bias Current	$V_I = 0V$ , $R_S = 50K\Omega$		-100	0.1	nA	1, 2
				-150	0.1	nA	3
		$+V_{CC} = 29.5V$ , $-V_{CC} = -0.5V$ , $V_I = 0V$ , $V_{CM} = -14.5V$ , $R_S = 50K\Omega$		-150	0.1	nA	1, 2
				-200	0.1	nA	3
		$+V_{CC} = 2V$ , $-V_{CC} = -28V$ , $V_I = 0V$ , $V_{CM} = +13V$ , $R_S = 50K\Omega$		-150	0.1	nA	1, 2
				-200	0.1	nA	3
$V_{OSt}$	Collector Output Voltage (Strobe)	$+V_I = Gnd$ , $-V_I = 15V$ , $I_{St} = -3mA$ , $R_S = 50\Omega$		<sup>(3)(4)</sup> 14		V	1, 2, 3
CMRR	Common Mode Rejection Ratio	$-28V \leq -V_{CC} \leq -0.5V$ , $R_S = 50\Omega$ , $2V \leq +V_{CC} \leq 29.5V$ , $R_S = 50\Omega$ , $-14.5V \leq V_{CM} \leq 13V$ , $R_S = 50\Omega$		80		dB	1, 2, 3
$V_{OL}$	Low Level Output Voltage	$+V_{CC} = 4.5V$ , $-V_{CC} = Gnd$ , $I_O = 8mA$ , $\pm V_I = 0.5V$ , $V_{ID} = -6mV$			0.4	V	1, 2, 3
					0.4	V	1, 2, 3
		$I_O = 50mA$ , $\pm V_I = 13V$ , $V_{ID} = -5mV$			1.5	V	1, 2, 3
					1.5	V	1, 2, 3
$I_{CEX}$	Output Leakage Current	$+V_{CC} = 18V$ , $-V_{CC} = -18V$ , $V_O = 32V$		-1.0	10	nA	1
				-1.0	500	nA	2
$I_L$	Input Leakage Current	$+V_{CC} = 18V$ , $-V_{CC} = -18V$ , $+V_I = +12V$ , $-V_I = -17V$	(5)	-5.0	500	nA	1, 2, 3
				$+V_{CC} = 18V$ , $-V_{CC} = -18V$ , $+V_I = -17V$ , $-V_I = +12V$	(5)	-5.0	500
$+I_{CC}$	Power Supply Current				6.0	mA	1, 2
					7.0	mA	3
$-I_{CC}$	Power Supply Current			-5.0		mA	1, 2
				-6.0		mA	3

 (3)  $I_{ST} = -2mA$  at  $-55^\circ C$ 

(4) Group A sample ONLY

 (5)  $V_{ID}$  is voltage difference between inputs.

**LM111 RADIATION Electrical Characteristics SMD 5962R0052402 DC Parameters<sup>(1)(2)</sup> (continued)**

The following conditions apply, unless otherwise specified.  $V_{CC} = \pm 15V$ ,  $V_{CM} = 0$

Symbol	Parameter	Conditions	Notes	Min	Max	Unit	Sub-groups
$\Delta V_{IO} / \Delta T$	Temperature Coefficient Input Offset Voltage	$25^{\circ}C \leq T \leq 125^{\circ}C$		-25	25	$\mu V/^{\circ}C$	2
		$-55^{\circ}C \leq T \leq 25^{\circ}C$		-25	25	$\mu V/^{\circ}C$	3
$\Delta I_{IO} / \Delta T$	Temperature Coefficient Input Offset Current	$25^{\circ}C \leq T \leq 125^{\circ}C$		-100	100	$\mu A/^{\circ}C$	2
		$-55^{\circ}C \leq T \leq 25^{\circ}C$		-200	200	$\mu A/^{\circ}C$	3
$I_{OS}$	Short Circuit Current	$V_O = 5V$ , $t \leq 10mS$ , $-V_I = 0.1V$ , $+V_I = 0V$	(6)		200	mA	1
			(5)		150	mA	2
			(5)		250	mA	3
+ $V_{IO}$ adj.	Input Offset Voltage (Adjustment)	$V_O = 0V$ , $V_I = 0V$ , $R_S = 50\Omega$		5.0		mV	1
- $V_{IO}$ adj.	Input Offset Voltage (Adjustment)	$V_O = 0V$ , $V_I = 0V$ , $R_S = 50\Omega$			-5.0	mV	1
$\pm A_{VE}$	Voltage Gain (Emitter)	$R_L = 600\Omega$	(7)	10		V/mV	4
			(7)	8.0		V/mV	5, 6

(6) Actual min. limit used is 5mA due to test setup.

(7) Pin names based on an 8 pin package configuration. When using higher pin count packages then: Pin 2 & 3 are Inputs, Pin 5 is Balance, Pin 6 is Balance / Strobe, Pin 7 is Output, and Pin 8 is  $V^*$ . For example:  $V_{56}$  is the Voltage between the Balance and Balance / Strobe pins.

**LM111 RADIATION Electrical Characteristics SMD 5962R0052402 AC Parameters<sup>(1)(2)</sup>**

The following conditions apply, unless otherwise specified.  $V_{CC} = \pm 15V$ ,  $V_{CM} = 0$

Symbol	Parameter	Conditions	Notes	Min	Max	Unit	Sub-groups
$t_{RLHC}$	Response Time (Collector Output)	$V_{OD}(\text{Overdrive}) = -5mV$ , $C_L = 50pF$ , $V_I = -100mV$	(3)		300	nS	7, 8B
					640	nS	8A
$t_{RHLC}$	Response Time (Collector Output)	$V_{OD}(\text{Overdrive}) = 5mV$ , $C_L = 50pF$ , $V_I = 100mV$	(3)		300	nS	7, 8B
					500	nS	8A

(1) Calculated parameter.

(2) Pre and post irradiation limits are identical to those listed under AC and DC electrical characteristics except as listed in the Post Radiation Limits Table. These parts may be sensitive in a high dose environment. Low dose rate testing has been performed on a wafer-by-wafer basis, per test method 1019 condition D of MIL-STD-883, with no enhanced low dose rate sensitivity (ELDRS) effect.

(3) Group A sample ONLY

**LM111 RADIATION Electrical Characteristics SMD 5962R0052402 DC DELTA Parameters<sup>(1)(2)</sup>**

The following conditions apply, unless otherwise specified.  $V_{CC} = \pm 15V$ ,  $V_{CM} = 0$

Delta calculations performed on QMLV devices at group B, subgroup 5.

Symbol	Parameter	Conditions	Notes	Min	Max	Unit	Sub-groups
$V_{IO}$	Input Offset Voltage	$V_I = 0V$ , $R_S = 50\Omega$		-0.5	0.5	mV	1
		$+V_{CC} = 29.5V$ , $-V_{CC} = -0.5V$ , $V_I = 0V$ , $V_{CM} = -14.5V$ , $R_S = 50\Omega$		-0.5	0.5	mV	1
		$+V_{CC} = 2V$ , $-V_{CC} = -28V$ , $V_I = 0V$ , $V_{CM} = +13V$ , $R_S = 50\Omega$		-0.5	0.5	mV	1

(1) Calculated parameter.

(2) Pre and post irradiation limits are identical to those listed under AC and DC electrical characteristics except as listed in the Post Radiation Limits Table. These parts may be sensitive in a high dose environment. Low dose rate testing has been performed on a wafer-by-wafer basis, per test method 1019 condition D of MIL-STD-883, with no enhanced low dose rate sensitivity (ELDRS) effect.

**LM111 RADIATION Electrical Characteristics SMD 5962R0052402 DC DELTA Parameters<sup>(1)(2)</sup> (continued)**

The following conditions apply, unless otherwise specified.  $V_{CC} = \pm 15V$ ,  $V_{CM} = 0$   
Delta calculations performed on QMLV devices at group B , subgroup 5.

Symbol	Parameter	Conditions	Notes	Min	Max	Unit	Sub-groups
$\pm I_{IB}$	Input Bias Current	$V_I = 0V$ , $R_S = 50K\Omega$		-12.5	12.5	nA	1
		$+V_{CC} = 29.5V$ , $-V_{CC} = -0.5V$ , $V_I = 0V$ , $V_{CM} = -14.5V$ , $R_S = 50K\Omega$		-12.5	12.5	nA	1
		$+V_{CC} = 2V$ , $-V_{CC} = -28V$ , $V_I = 0V$ , $V_{CM} = +13V$ , $R_S = 50K\Omega$		-12.5	12.5	nA	1
$I_{CEX}$	Output Leakage Current	$+V_{CC} = 18V$ , $-V_{CC} = -18V$ , $V_O = 32V$		-5.0	5.0	nA	1

**LM111 RADIATION Electrical Characteristics SMD 5962R0052402 Post Radiation Parameters<sup>(1)(2)</sup>**

The following conditions apply, unless otherwise specified

Symbol	Parameter	Conditions	Notes	Min	Max	Unit	Sub-groups
$I_{IO(R)}$	Raised Input Offset Current	$V_I = 0V$ , $R_S = 50K\Omega$	(3)	-100	+100	nA	1
$\pm I_{IB}$	Input Bias Current	$V_I = 0V$ , $R_S = 50K\Omega$		-180	0.1	nA	1
		$+V_{CC} = 29.5V$ , $-V_{CC} = -0.5V$ , $V_I = 0V$ , $V_{CM} = -14.5V$ , $R_S = 50K\Omega$		-225	0.1	nA	1
$I_{CEX}$	Output Leakage Current	$+V_{CC} = 18V$ , $-V_{CC} = -18V$ , $V_O = 32V$		-1.0	+25	nA	1

(1) Calculated parameter.

(2) Pre and post irradiation limits are identical to those listed under AC and DC electrical characteristics except as listed in the Post Radiation Limits Table. These parts may be sensitive in a high dose environment. Low dose rate testing has been performed on a wafer-by-wafer basis, per test method 1019 condition D of MIL-STD-883, with no enhanced low dose rate sensitivity (ELDRS) effect.

(3) Subscript (R) indicates tests which are performed with input stage current raised by connecting BAL and BAL/STB terminals to  $+V_{CC}$ .

### LM111 Typical Performance Characteristics

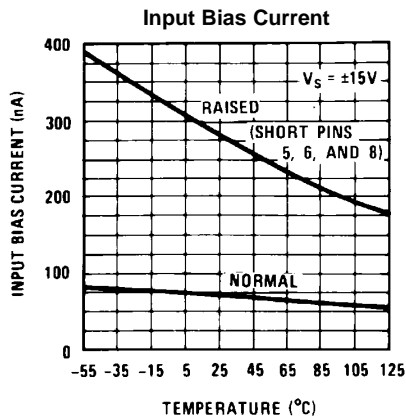


Figure 7.

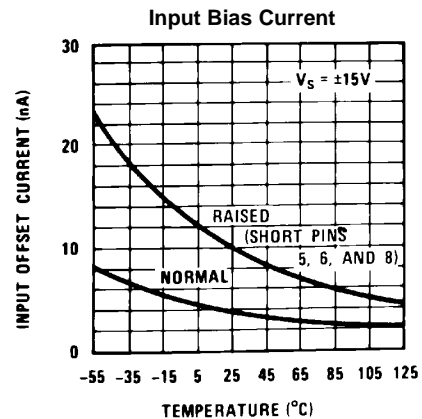


Figure 8.

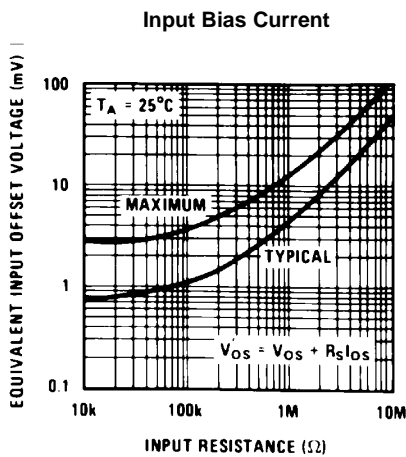


Figure 9.

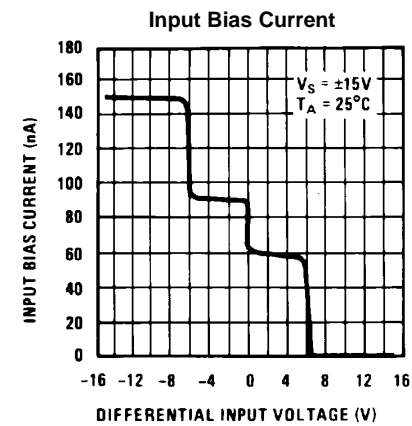


Figure 10.

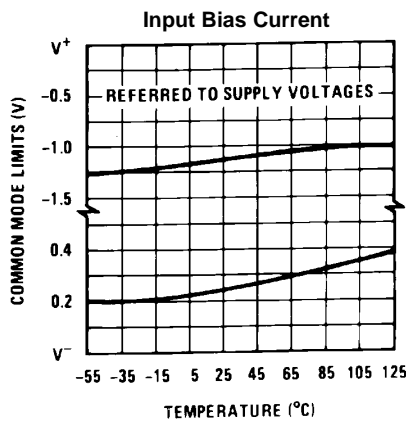


Figure 11.

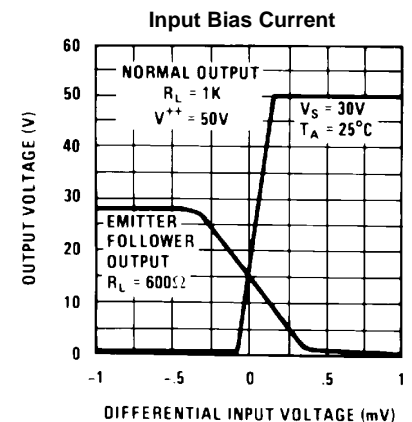


Figure 12.

**LM111 Typical Performance Characteristics (continued)**  
**Input Bias Current**  
**Input Overdrives**

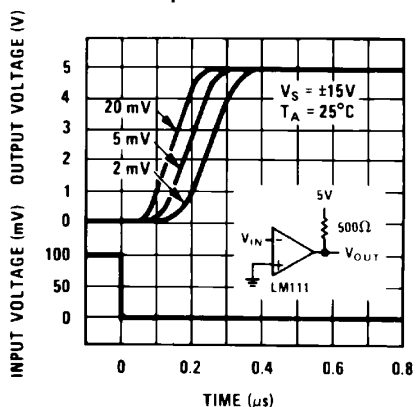


Figure 13.

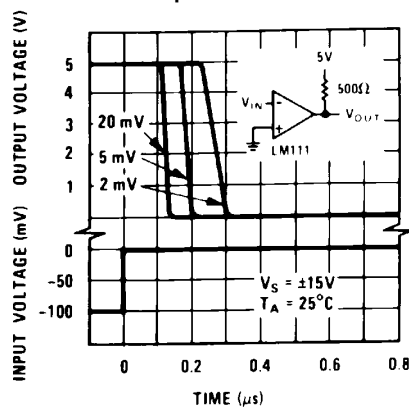


Figure 14.

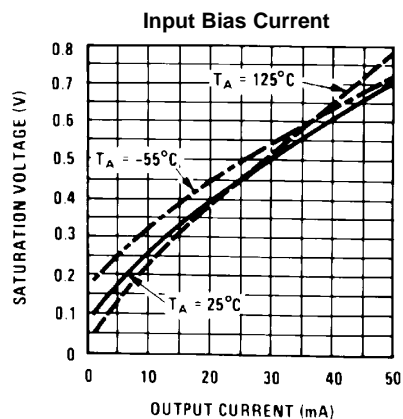


Figure 15.

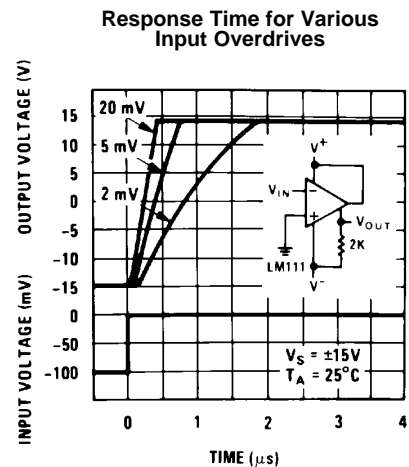


Figure 16.

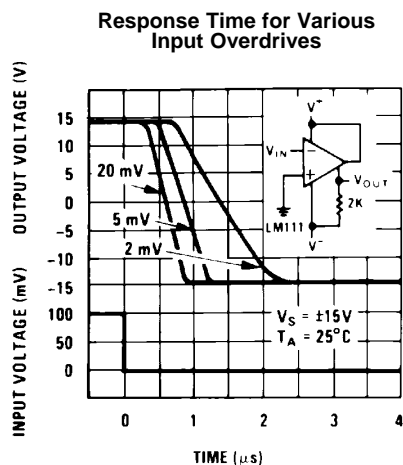


Figure 17.

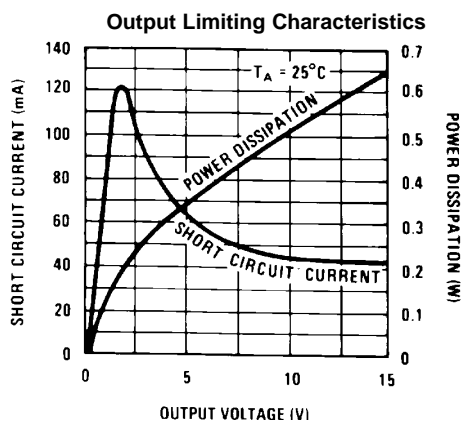


Figure 18.

**LM111 Typical Performance Characteristics (continued)**

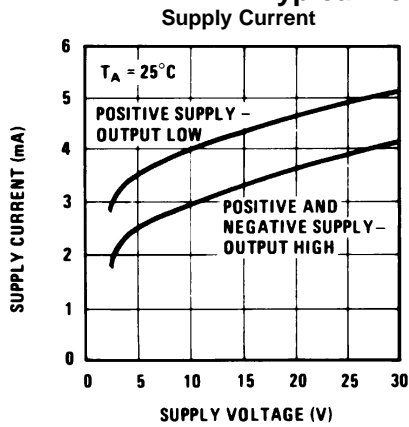


Figure 19.

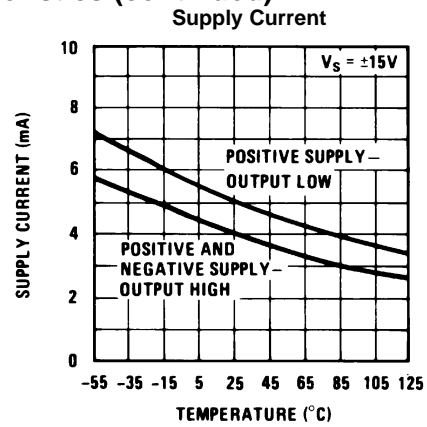


Figure 20.

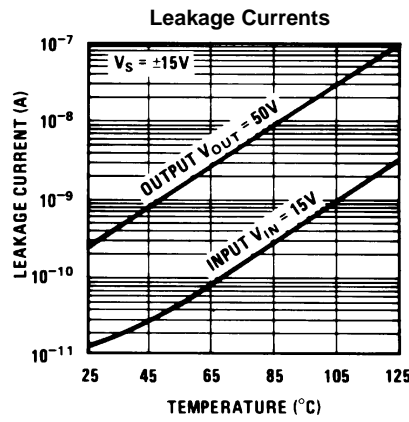


Figure 21.

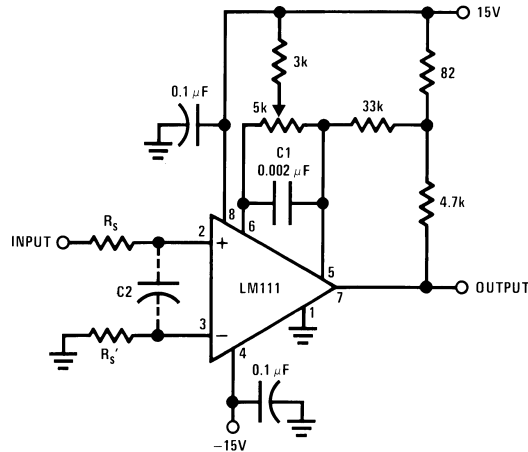
## APPLICATION HINTS

### CIRCUIT TECHNIQUES FOR AVOIDING OSCILLATIONS IN COMPARATOR APPLICATIONS

When a high-speed comparator such as the LM111 is used with fast input signals and low source impedances, the output response will normally be fast and stable, assuming that the power supplies have been bypassed (with 0.1  $\mu\text{F}$  disc capacitors), and that the output signal is routed well away from the inputs (pins 2 and 3) and also away from pins 5 and 6.

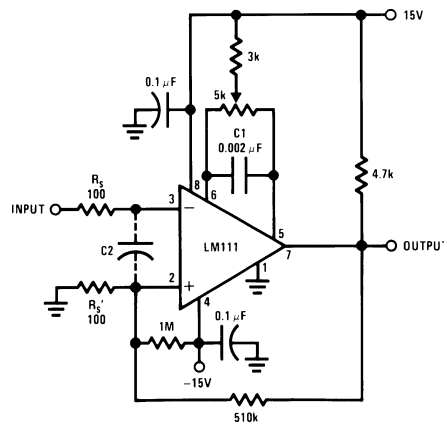
However, when the input signal is a voltage ramp or a slow sine wave, or if the signal source impedance is high (1  $\text{k}\Omega$  to 100  $\text{k}\Omega$ ), the comparator may burst into oscillation near the crossing-point. This is due to the high gain and wide bandwidth of comparators like the LM111. To avoid oscillation or instability in such a usage, several precautions are recommended, as shown in [Figure 22](#) below.

1. The trim pins (pins 5 and 6) act as unwanted auxiliary inputs. If these pins are not connected to a trim-pot, they should be shorted together. If they are connected to a trim-pot, a 0.01  $\mu\text{F}$  capacitor C1 between pins 5 and 6 will minimize the susceptibility to AC coupling. A smaller capacitor is used if pin 5 is used for positive feedback as in [Figure 22](#).
2. Certain sources will produce a cleaner comparator output waveform if a 100 pF to 1000 pF capacitor C2 is connected directly across the input pins.
3. When the signal source is applied through a resistive network,  $R_S$ , it is usually advantageous to choose an  $R_S'$  of substantially the same value, both for DC and for dynamic (AC) considerations. Carbon, tin-oxide, and metal-film resistors have all been used successfully in comparator input circuitry. Inductive wire wound resistors are not suitable.
4. When comparator circuits use input resistors (e.g. summing resistors), their value and placement are particularly important. In all cases the body of the resistor should be close to the device or socket. In other words there should be very little lead length or printed-circuit foil run between comparator and resistor to radiate or pick up signals. The same applies to capacitors, pots, etc. For example, if  $R_S=10 \text{ k}\Omega$ , as little as 5 inches of lead between the resistors and the input pins can result in oscillations that are very hard to damp. Twisting these input leads tightly is the only (second best) alternative to placing resistors close to the comparator.
5. Since feedback to almost any pin of a comparator can result in oscillation, the printed-circuit layout should be engineered thoughtfully. Preferably there should be a ground plane under the LM111 circuitry, for example, one side of a double-layer circuit card. Ground foil (or, positive supply or negative supply foil) should extend between the output and the inputs, to act as a guard. The foil connections for the inputs should be as small and compact as possible, and should be essentially surrounded by ground foil on all sides, to guard against capacitive coupling from any high-level signals (such as the output). If pins 5 and 6 are not used, they should be shorted together. If they are connected to a trim-pot, the trim-pot should be located, at most, a few inches away from the LM111, and the 0.01  $\mu\text{F}$  capacitor should be installed. If this capacitor cannot be used, a shielding printed-circuit foil may be advisable between pins 6 and 7. The power supply bypass capacitors should be located within a couple inches of the LM111. (Some other comparators require the power-supply bypass to be located immediately adjacent to the comparator.)
6. It is a standard procedure to use hysteresis (positive feedback) around a comparator, to prevent oscillation, and to avoid excessive noise on the output because the comparator is a good amplifier for its own noise. In the circuit of [Figure 23](#), the feedback from the output to the positive input will cause about 3 mV of hysteresis. However, if  $R_S$  is larger than 100 $\Omega$ , such as 50  $\text{k}\Omega$ , it would not be reasonable to simply increase the value of the positive feedback resistor above 510  $\text{k}\Omega$ . The circuit of [Figure 24](#) could be used, but it is rather awkward. See the notes in paragraph 7 below.
7. When both inputs of the LM111 are connected to active signals, or if a high-impedance signal is driving the positive input of the LM111 so that positive feedback would be disruptive, the circuit of [Figure 22](#) is ideal. The positive feedback is to pin 5 (one of the offset adjustment pins). It is sufficient to cause 1 to 2 mV hysteresis and sharp transitions with input triangle waves from a few Hz to hundreds of kHz. The positive-feedback signal across the 82 $\Omega$  resistor swings 240 mV below the positive supply. This signal is centered around the nominal voltage at pin 5, so this feedback does not add to the  $V_{OS}$  of the comparator. As much as 8 mV of  $V_{OS}$  can be trimmed out, using the 5  $\text{k}\Omega$  pot and 3  $\text{k}\Omega$  resistor as shown.
8. These application notes apply specifically to the LM111 and are applicable to all high-speed comparators in general, (with the exception that not all comparators have trim pins).



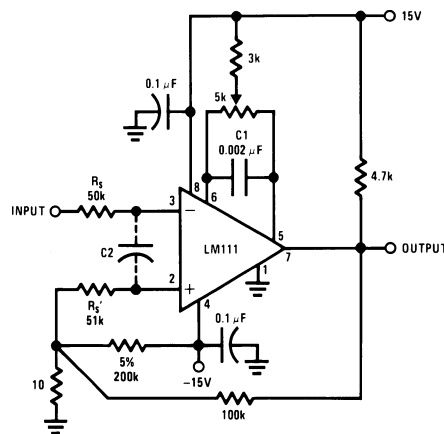
Pin connections shown are for LM111H in the LMC0008C package

**Figure 22. Improved Positive Feedback**



Pin connections shown are for LM111H in the LMC0008C package

**Figure 23. Conventional Positive Feedback**



**Figure 24. Positive Feedback with High Source Resistance**

TYPICAL APPLICATIONS

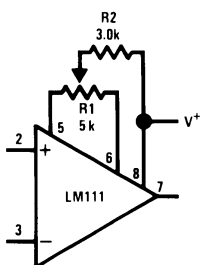
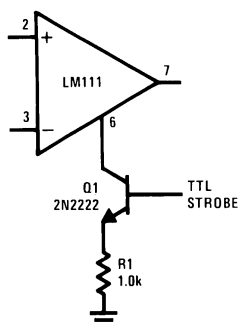
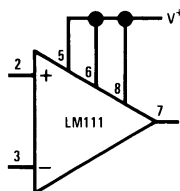


Figure 25. Offset Balancing



Note: Do Not Ground Strobe Pin. Output is turned off when current is pulled from Strobe Pin.

Figure 26. Strobing



Increases typical common mode slew from 7.0V/μs to 18V/μs.

Figure 27. Increasing Input Stage Current

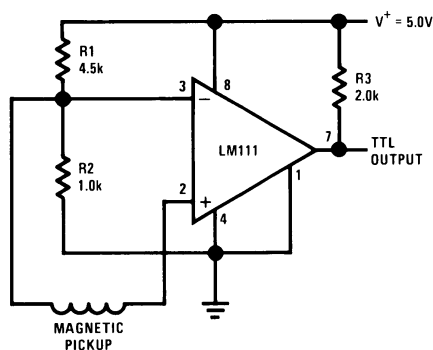


Figure 28. Detector for Magnetic Transducer

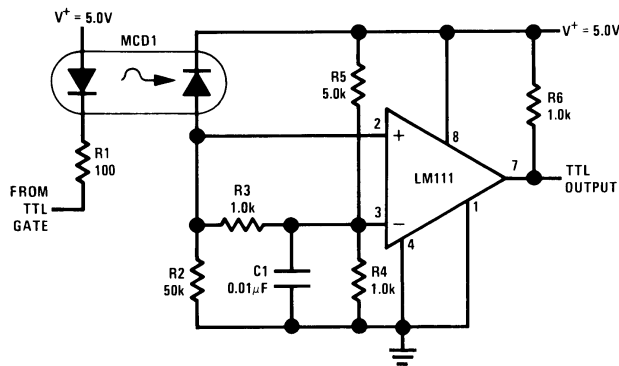
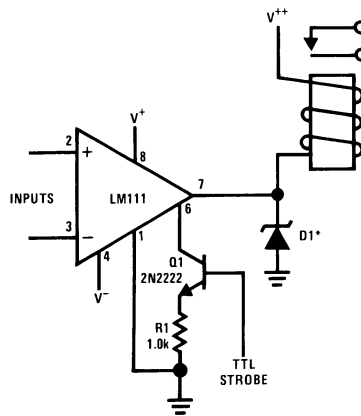
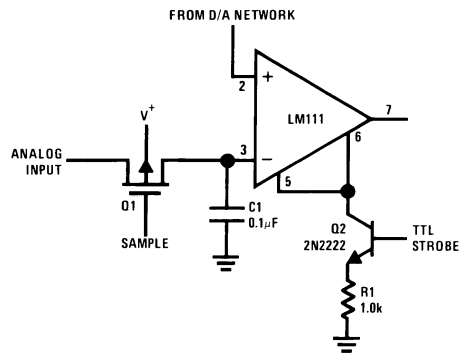


Figure 29. Digital Transmission Isolator



\*Absorbs inductive kickback of relay and protects IC from severe voltage transients on V++ line.  
**Note:** Do Not Ground Strobe Pin.

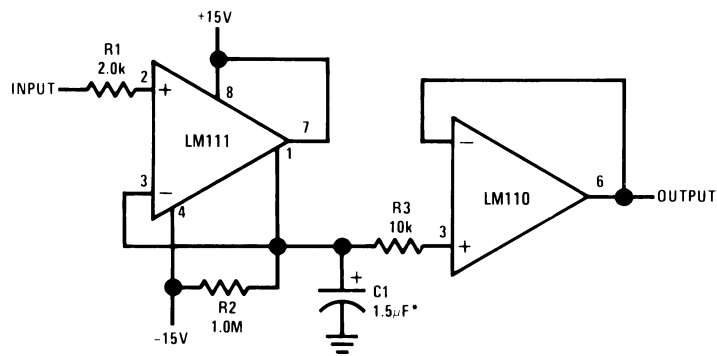
Figure 30. Relay Driver with Strobe



**Note:** Do Not Ground Strobe Pin.

- (1) Typical input current is 50 pA with inputs strobed off.
- (2) Pin connections shown on schematic diagram and typical applications are for LMC0008C package.

Figure 31. Strobing off Both Input and Output Stages



\*Solid tantalum

Figure 32. Positive Peak Detector

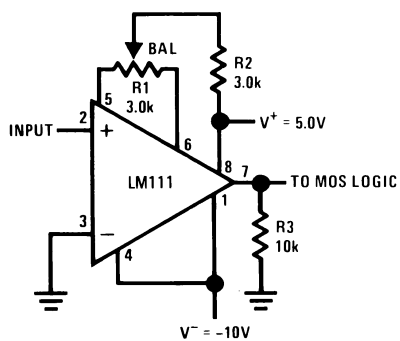
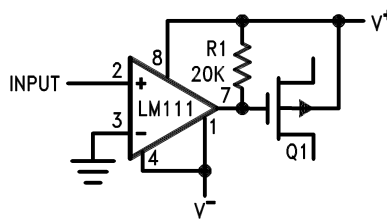


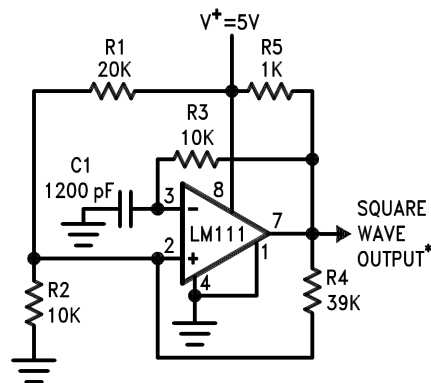
Figure 33. Zero Crossing Detector Driving MOS Logic

## TYPICAL APPLICATIONS FOR METAL CYLINDER PACKAGE

(Pin numbers refer to LMC0008C package)

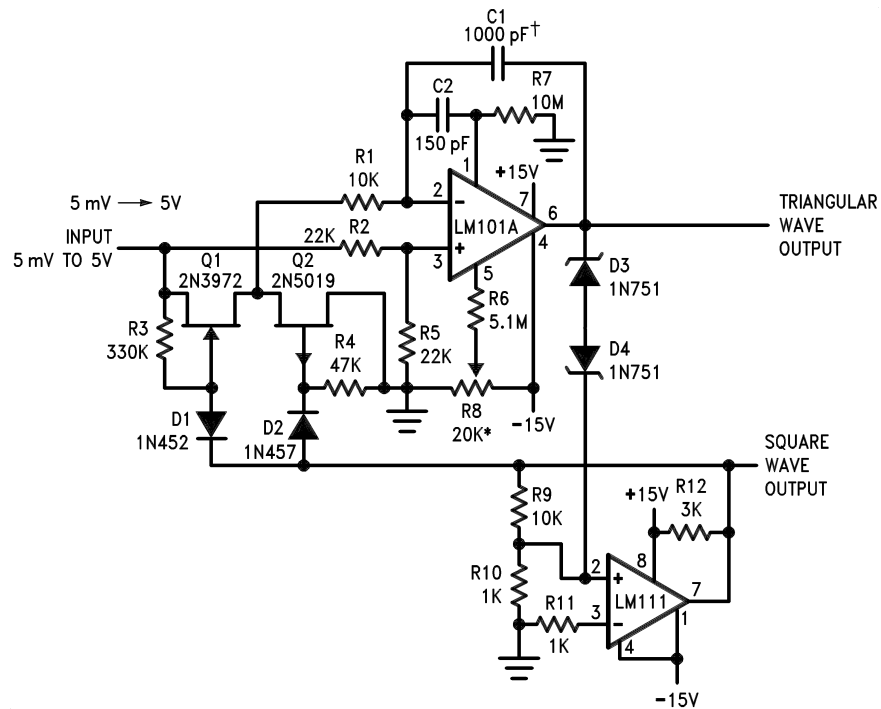


**Figure 34. Zero Crossing Detector Driving MOS Switch**



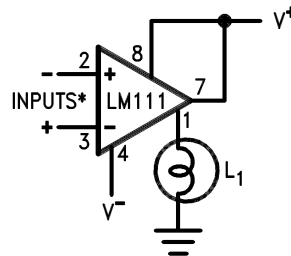
\*TTL or DTL fanout of two

**Figure 35. 100 kHz Free Running Multivibrator**



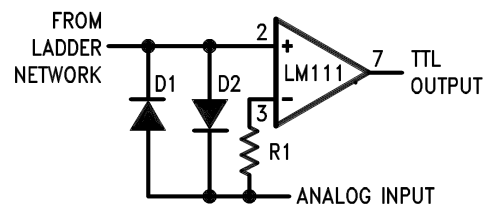
\*Adjust for symmetrical square wave time when  $V_{IN} = 5\text{ mV}$   
 †Minimum capacitance 20 pF Maximum frequency 50 kHz

**Figure 36. 10 Hz to 10 kHz Voltage Controlled Oscillator**

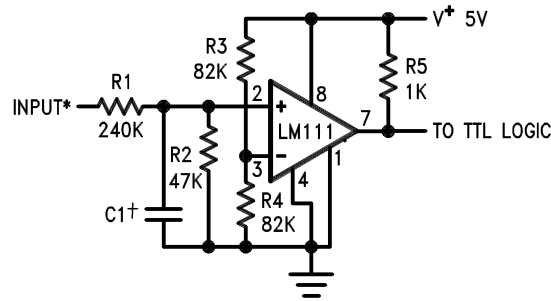


\*Input polarity is reversed when using pin 1 as output.

**Figure 37. Driving Ground-Referred Load**



**Figure 38. Using Clamp Diodes to Improve Response**



\*Values shown are for a 0 to 30V logic swing and a 15V threshold.

†May be added to control speed and reduce susceptibility to noise spikes.

Figure 39. TTL Interface with High Level Logic

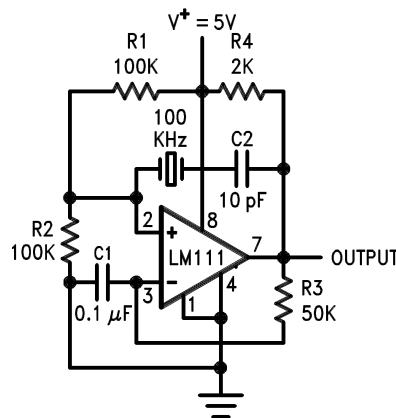


Figure 40. Crystal Oscillator

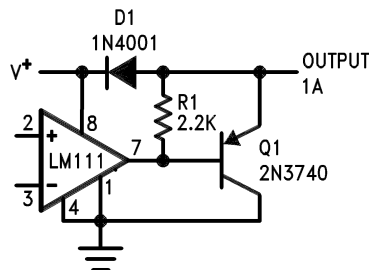
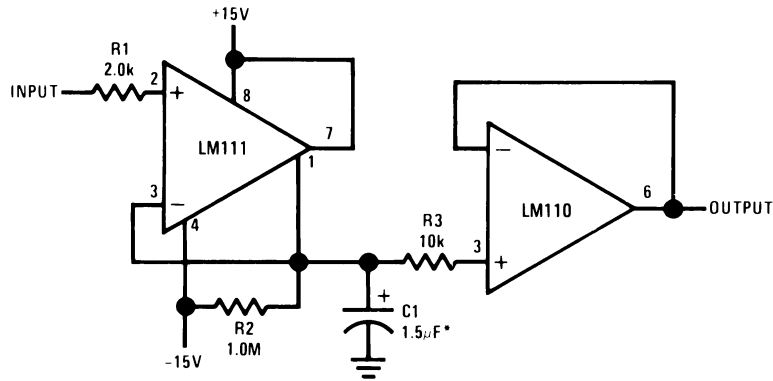


Figure 41. Comparator and Solenoid Driver





\*Solid tantalum

Figure 44. Positive Peak Detector

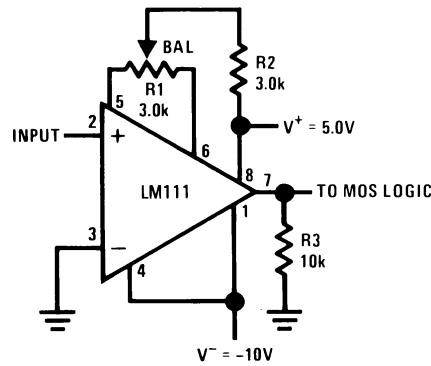
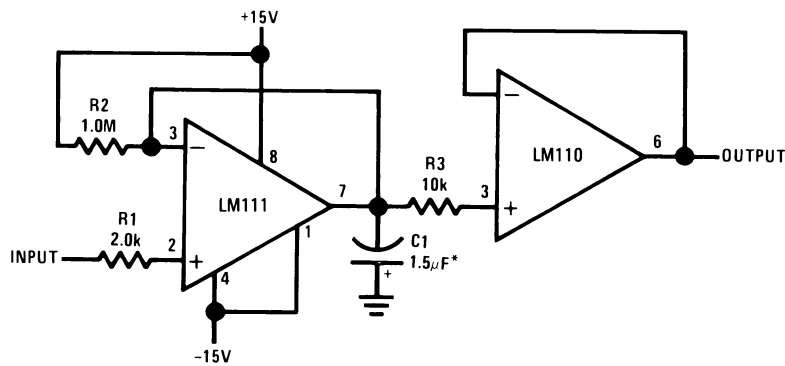
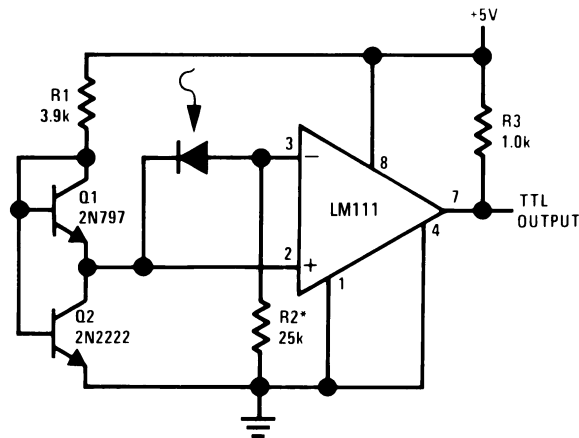


Figure 45. Zero Crossing Detector Driving MOS Logic



\*Solid tantalum

Figure 46. Negative Peak Detector



\*R2 sets the comparison level. At comparison, the photodiode has less than 5 mV across it, decreasing leakages by an order of magnitude.

Figure 47. Precision Photodiode Comparator

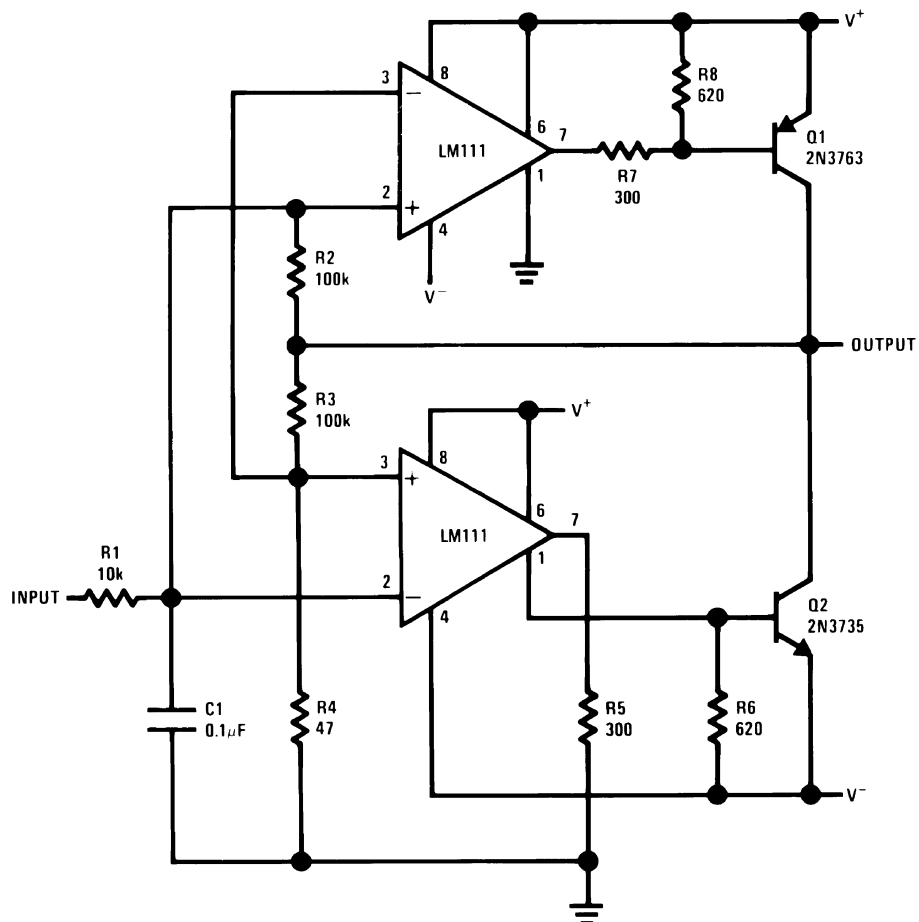


Figure 48. Switching Power Amplifier

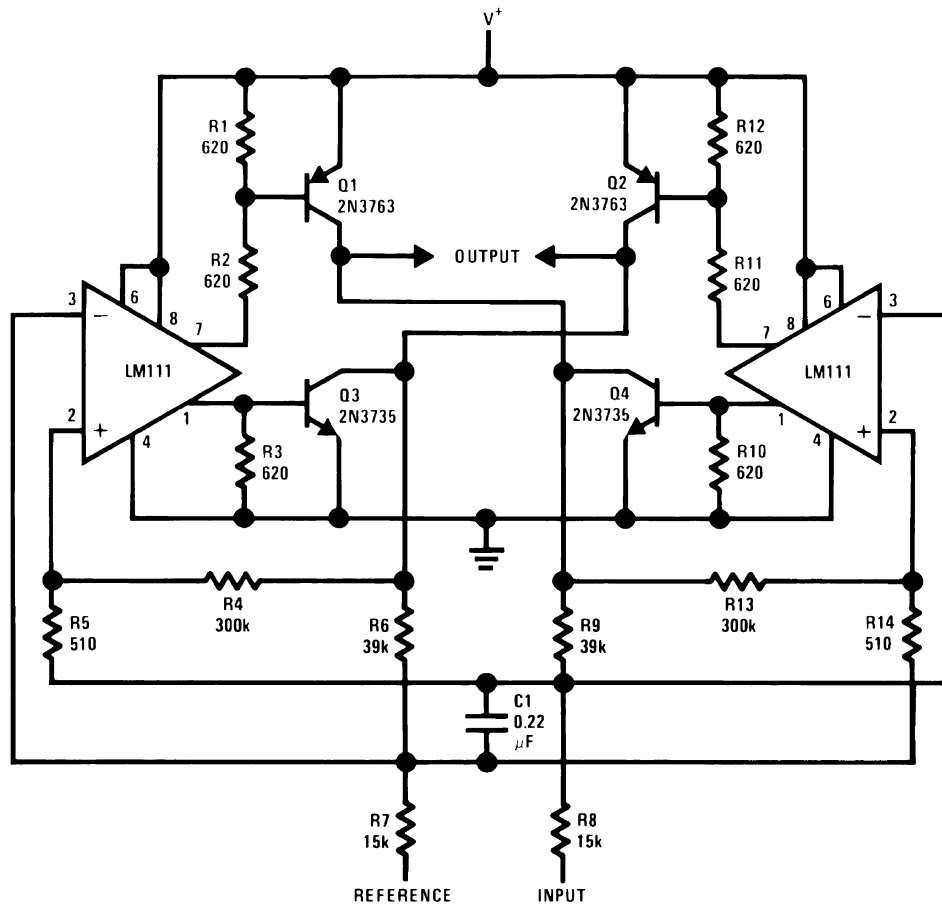


Figure 49. Switching Power Amplifier

**Table 2. Revision History**

Released	Revision	Section	Originator	Changes
10/11/05	A	New Release, Corporate format	L. Lytle	3 MDS data sheets converted into one Corp. data sheet format. MNLM111-X Rev 0A0, MDLM111-X Rev. 0B0, and MRLM111-X-RH Rev 0E1. The drift table was eliminated from the 883 section since it did not apply; Note #3 was removed from RH & QML datasheets with SG verification that it no longer applied. Added NSID's for 50k Rad and Post Radiation Table. MDS data sheets will be archived.
12/14/05	B	Ordering Information Table	R. Malone	Removed NSID reference LM111J-8PQMLV, 5962P0052401VPA 30k rd(Si). Reason: NSID on LTB, Inventory exhausted. Added following NSID's: LM111HPQMLV, LM111WPQMLV and LM111WGPQMLV. Reason: Still have Inventory. LM111QML, Revision A will be archived.
06/26/08	C	Features, Ordering Information Table, Electrical section Notes.	Larry McGee	Added Radiation reference, ELDRS NSID's and Note 14 and 15, Low Dose Electrical Table. Deleted 30k rd(Si) NSID's: LM111HPQMLV, LM111WPQMLV and LM111WGPQMLV. Reason: EOL 9/06/05. Revision B will be archived.
03/26/2013	C	All Sections		Changed layout of National Data Sheet to TI format

**PACKAGING INFORMATION**

Orderable Device	Status (1)	Package Type	Package Drawing	Pins	Package Qty	Eco Plan (2)	Lead finish/ Ball material (6)	MSL Peak Temp (3)	Op Temp (°C)	Device Marking (4/5)	Samples
5962L0052401VGA	ACTIVE	TO-99	LMC	8	20	Non-RoHS & Non-Green	Call TI	Call TI	-55 to 125	LM111HLQMLV 5962L0052401VGA Q ACO 5962L0052401VGA Q >T	<a href="#">Samples</a>
5962L0052401VHA	ACTIVE	CFP	NAD	10	19	Non-RoHS & Green	Call TI	Level-1-NA-UNLIM	-55 to 125	LM111W LQMLV Q 5962L00524 01VHA ACO 01VHA >T	<a href="#">Samples</a>
5962L0052401VPA	ACTIVE	CDIP	NAB	8	40	Non-RoHS & Green	Call TI	Level-1-NA-UNLIM	-55 to 125	LM111J-8LQV 5962L00524 01VPA Q ACO 01VPA Q >T	<a href="#">Samples</a>
5962L0052401VZA	ACTIVE	CFP	NAC	10	54	Non-RoHS & Green	Call TI	Level-1-NA-UNLIM	-55 to 125	LM111W GLQMLV Q 5962L00524 01VZA ACO 01VZA >T	<a href="#">Samples</a>
5962R0052402VGA	ACTIVE	TO-99	LMC	8	20	Non-RoHS & Non-Green	Call TI	Call TI	-55 to 125	LM111HRLQV 5962R0052402VGA Q ACO 5962R0052402VGA Q >T	<a href="#">Samples</a>
5962R0052402VHA	ACTIVE	CFP	NAD	10	19	Non-RoHS & Green	Call TI	Level-1-NA-UNLIM	-55 to 125	LM111W RLQMLV Q 5962R00524 02VHA ACO 02VHA >T	<a href="#">Samples</a>
5962R0052402VPA	ACTIVE	CDIP	NAB	8	40	Non-RoHS & Green	Call TI	Level-1-NA-UNLIM	-55 to 125	LM111J-8RLQV 5962R00524 02VPA Q ACO 02VPA Q >T	<a href="#">Samples</a>
5962R0052402VZA	ACTIVE	CFP	NAC	10	54	Non-RoHS & Green	Call TI	Level-1-NA-UNLIM	-55 to 125	LM111W GRLQMLV Q 5962R00524 02VZA ACO	<a href="#">Samples</a>

Orderable Device	Status (1)	Package Type	Package Drawing	Pins	Package Qty	Eco Plan (2)	Lead finish/ Ball material (6)	MSL Peak Temp (3)	Op Temp (°C)	Device Marking (4/5)	Samples
										02VZA >T	
LM111 MD8	ACTIVE	DIESALE	Y	0	300	RoHS & Green	Call TI	Level-1-NA-UNLIM	-55 to 125		<a href="#">Samples</a>
LM111-MDE	ACTIVE	DIESALE	Y	0	40	RoHS & Green	Call TI	Level-1-NA-UNLIM	-55 to 125		<a href="#">Samples</a>
LM111H/883	ACTIVE	TO-99	LMC	8	20	Non-RoHS & Non-Green	Call TI	Call TI	-55 to 125	LM111H/883 Q ACO LM111H/883 Q >T	<a href="#">Samples</a>
LM111HLQMLV	ACTIVE	TO-99	LMC	8	20	Non-RoHS & Green	Call TI	Level-1-NA-UNLIM	-55 to 125	LM111HLQMLV 5962L0052401VGA Q ACO 5962L0052401VGA Q >T	<a href="#">Samples</a>
LM111HRLQMLV	ACTIVE	TO-99	LMC	8	20	Non-RoHS & Green	Call TI	Level-1-NA-UNLIM	-55 to 125	LM111HRLQV 5962R0052402VGA Q ACO 5962R0052402VGA Q >T	<a href="#">Samples</a>
LM111J-8/883	ACTIVE	CDIP	NAB	8	40	Non-RoHS & Green	Call TI	Level-1-NA-UNLIM	-55 to 125	LM111J-8 /883 Q ACO /883 Q >T	<a href="#">Samples</a>
LM111J-8LQMLV	ACTIVE	CDIP	NAB	8	40	Non-RoHS & Green	Call TI	Level-1-NA-UNLIM	-55 to 125	LM111J-8LQV 5962L00524 01VPA Q ACO 01VPA Q >T	<a href="#">Samples</a>
LM111J-8RLQMLV	ACTIVE	CDIP	NAB	8	40	Non-RoHS & Green	Call TI	Level-1-NA-UNLIM	-55 to 125	LM111J-8RLQV 5962R00524 02VPA Q ACO 02VPA Q >T	<a href="#">Samples</a>
LM111J/883	ACTIVE	CDIP	J	14	25	Non-RoHS & Green	Call TI	Level-1-NA-UNLIM	-55 to 125	LM111J/883 Q	<a href="#">Samples</a>
LM111WG/883	ACTIVE	CFP	NAC	10	54	Non-RoHS & Green	Call TI	Level-1-NA-UNLIM	-55 to 125	LM111WG /883 Q ACO /883 Q >T	<a href="#">Samples</a>
LM111WGLQMLV	ACTIVE	CFP	NAC	10	54	Non-RoHS & Green	Call TI	Level-1-NA-UNLIM	-55 to 125	LM111W GLQMLV Q 5962L00524 01VZA ACO 01VZA >T	<a href="#">Samples</a>

Orderable Device	Status (1)	Package Type	Package Drawing	Pins	Package Qty	Eco Plan (2)	Lead finish/ Ball material (6)	MSL Peak Temp (3)	Op Temp (°C)	Device Marking (4/5)	Samples
LM111WGRLQMLV	ACTIVE	CFP	NAC	10	54	Non-RoHS & Green	Call TI	Level-1-NA-UNLIM	-55 to 125	LM111W GRLQMLV Q 5962R00524 02VZA ACO 02VZA >T	<a href="#">Samples</a>
LM111WLQMLV	ACTIVE	CFP	NAD	10	19	Non-RoHS & Green	Call TI	Level-1-NA-UNLIM	-55 to 125	LM111W LQMLV Q 5962L00524 01VHA ACO 01VHA >T	<a href="#">Samples</a>
LM111WRLQMLV	ACTIVE	CFP	NAD	10	19	Non-RoHS & Green	Call TI	Level-1-NA-UNLIM	-55 to 125	LM111W RLQMLV Q 5962R00524 02VHA ACO 02VHA >T	<a href="#">Samples</a>

(1) The marketing status values are defined as follows:

**ACTIVE:** Product device recommended for new designs.

**LIFEBUY:** TI has announced that the device will be discontinued, and a lifetime-buy period is in effect.

**NRND:** Not recommended for new designs. Device is in production to support existing customers, but TI does not recommend using this part in a new design.

**PREVIEW:** Device has been announced but is not in production. Samples may or may not be available.

**OBSOLETE:** TI has discontinued the production of the device.

(2) **RoHS:** TI defines "RoHS" to mean semiconductor products that are compliant with the current EU RoHS requirements for all 10 RoHS substances, including the requirement that RoHS substance do not exceed 0.1% by weight in homogeneous materials. Where designed to be soldered at high temperatures, "RoHS" products are suitable for use in specified lead-free processes. TI may reference these types of products as "Pb-Free".

**RoHS Exempt:** TI defines "RoHS Exempt" to mean products that contain lead but are compliant with EU RoHS pursuant to a specific EU RoHS exemption.

**Green:** TI defines "Green" to mean the content of Chlorine (Cl) and Bromine (Br) based flame retardants meet JS709B low halogen requirements of <=1000ppm threshold. Antimony trioxide based flame retardants must also meet the <=1000ppm threshold requirement.

(3) MSL, Peak Temp. - The Moisture Sensitivity Level rating according to the JEDEC industry standard classifications, and peak solder temperature.

(4) There may be additional marking, which relates to the logo, the lot trace code information, or the environmental category on the device.

(5) Multiple Device Markings will be inside parentheses. Only one Device Marking contained in parentheses and separated by a "~" will appear on a device. If a line is indented then it is a continuation of the previous line and the two combined represent the entire Device Marking for that device.

(6) Lead finish/Ball material - Orderable Devices may have multiple material finish options. Finish options are separated by a vertical ruled line. Lead finish/Ball material values may wrap to two lines if the finish value exceeds the maximum column width.

**Important Information and Disclaimer:**The information provided on this page represents TI's knowledge and belief as of the date that it is provided. TI bases its knowledge and belief on information provided by third parties, and makes no representation or warranty as to the accuracy of such information. Efforts are underway to better integrate information from third parties. TI has taken and continues to take reasonable steps to provide representative and accurate information but may not have conducted destructive testing or chemical analysis on incoming materials and chemicals. TI and TI suppliers consider certain information to be proprietary, and thus CAS numbers and other limited information may not be available for release.

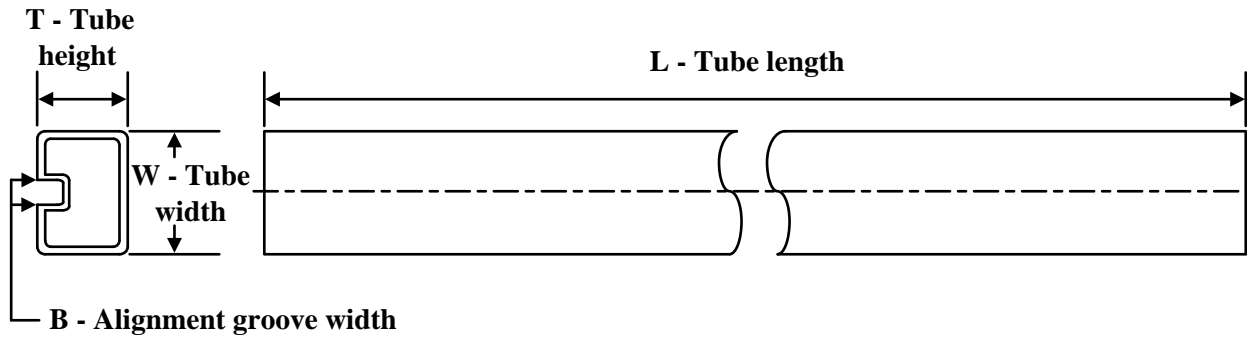
In no event shall TI's liability arising out of such information exceed the total purchase price of the TI part(s) at issue in this document sold by TI to Customer on an annual basis.

**OTHER QUALIFIED VERSIONS OF LM111QML, LM111QML-SP :**

- Military : [LM111QML](#)
- Space : [LM111QML-SP](#)

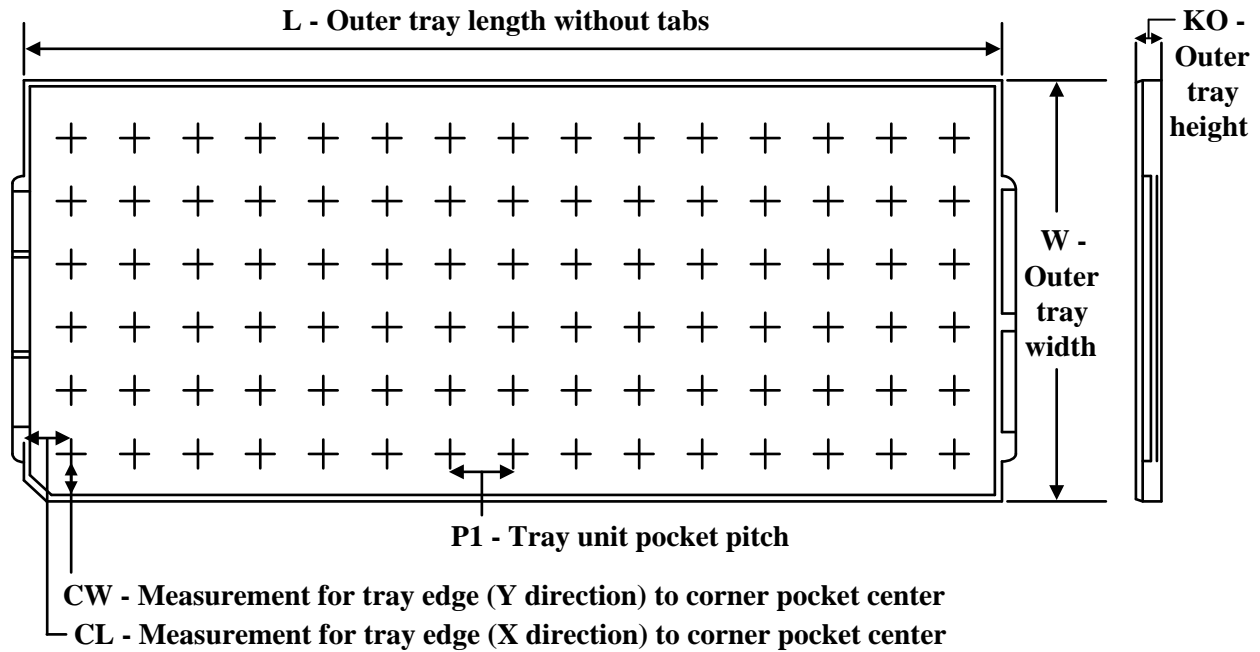
NOTE: Qualified Version Definitions:

- Military - QML certified for Military and Defense Applications
- Space - Radiation tolerant, ceramic packaging and qualified for use in Space-based application

**TUBE**


\*All dimensions are nominal

Device	Package Name	Package Type	Pins	SPQ	L (mm)	W (mm)	T (μm)	B (mm)
5962L0052401VHA	NAD	CFP	10	19	502	23	9398	9.78
5962L0052401VPA	NAB	CDIP	8	40	506.98	15.24	13440	NA
5962R0052402VHA	NAD	CFP	10	19	502	23	9398	9.78
5962R0052402VPA	NAB	CDIP	8	40	506.98	15.24	13440	NA
LM111J-8/883	NAB	CDIP	8	40	506.98	15.24	13440	NA
LM111J-8LQMLV	NAB	CDIP	8	40	506.98	15.24	13440	NA
LM111J-8RLQMLV	NAB	CDIP	8	40	506.98	15.24	13440	NA
LM111J/883	J	CDIP	14	25	502	14	10668	4.32
LM111WLQMLV	NAD	CFP	10	19	502	23	9398	9.78
LM111WRLQMLV	NAD	CFP	10	19	502	23	9398	9.78

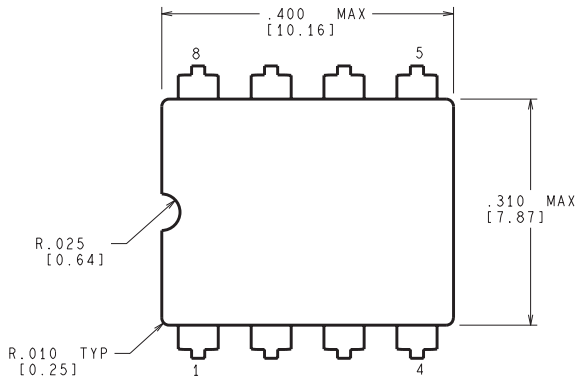
**TRAY**


Chamfer on Tray corner indicates Pin 1 orientation of packed units.

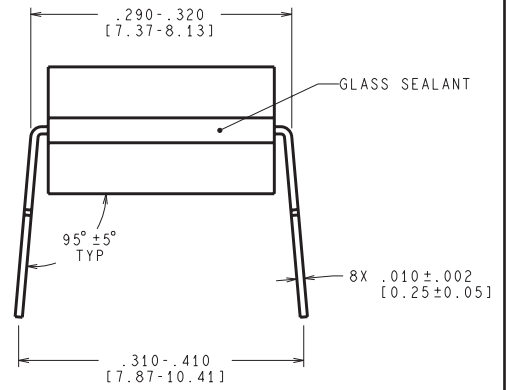
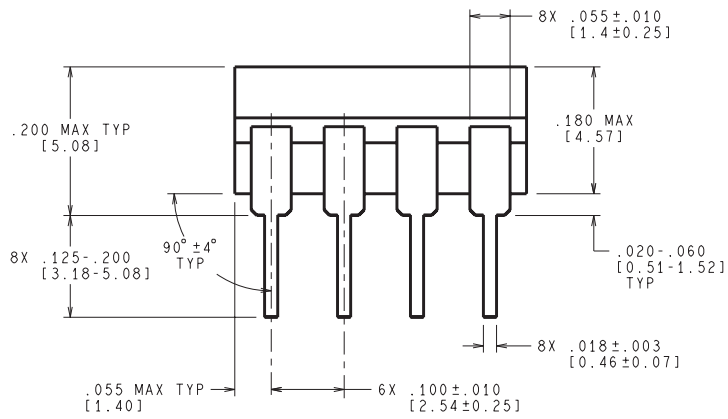
\*All dimensions are nominal

Device	Package Name	Package Type	Pins	SPQ	Unit array matrix	Max temperature (°C)	L (mm)	W (mm)	K0 (µm)	P1 (mm)	CL (mm)	CW (mm)
5962L0052401VGA	LMC	TO-CAN	8	20	2 X 10	150	126.49	61.98	8890	11.18	12.95	18.54
5962L0052401VZA	NAC	CFP	10	54	6 X 9	100	101.6	101.6	8001	2.78	16.08	16.08
5962R0052402VGA	LMC	TO-CAN	8	20	2 X 10	150	126.49	61.98	8890	11.18	12.95	18.54
5962R0052402VZA	NAC	CFP	10	54	6 X 9	100	101.6	101.6	8001	2.78	16.08	16.08
LM111H/883	LMC	TO-CAN	8	20	2 X 10	150	126.49	61.98	8890	11.18	12.95	18.54
LM111HLQMLV	LMC	TO-CAN	8	20	2 X 10	150	126.49	61.98	8890	11.18	12.95	18.54
LM111HRLQMLV	LMC	TO-CAN	8	20	2 X 10	150	126.49	61.98	8890	11.18	12.95	18.54
LM111WG/883	NAC	CFP	10	54	6 X 9	100	101.6	101.6	8001	2.78	16.08	16.08
LM111WGLQMLV	NAC	CFP	10	54	6 X 9	100	101.6	101.6	8001	2.78	16.08	16.08
LM111WGRLQMLV	NAC	CFP	10	54	6 X 9	100	101.6	101.6	8001	2.78	16.08	16.08

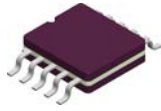
NAB0008A



CONTROLLING DIMENSION IS INCH  
VALUES IN [ ] ARE MILLIMETERS



J08A (Rev M)

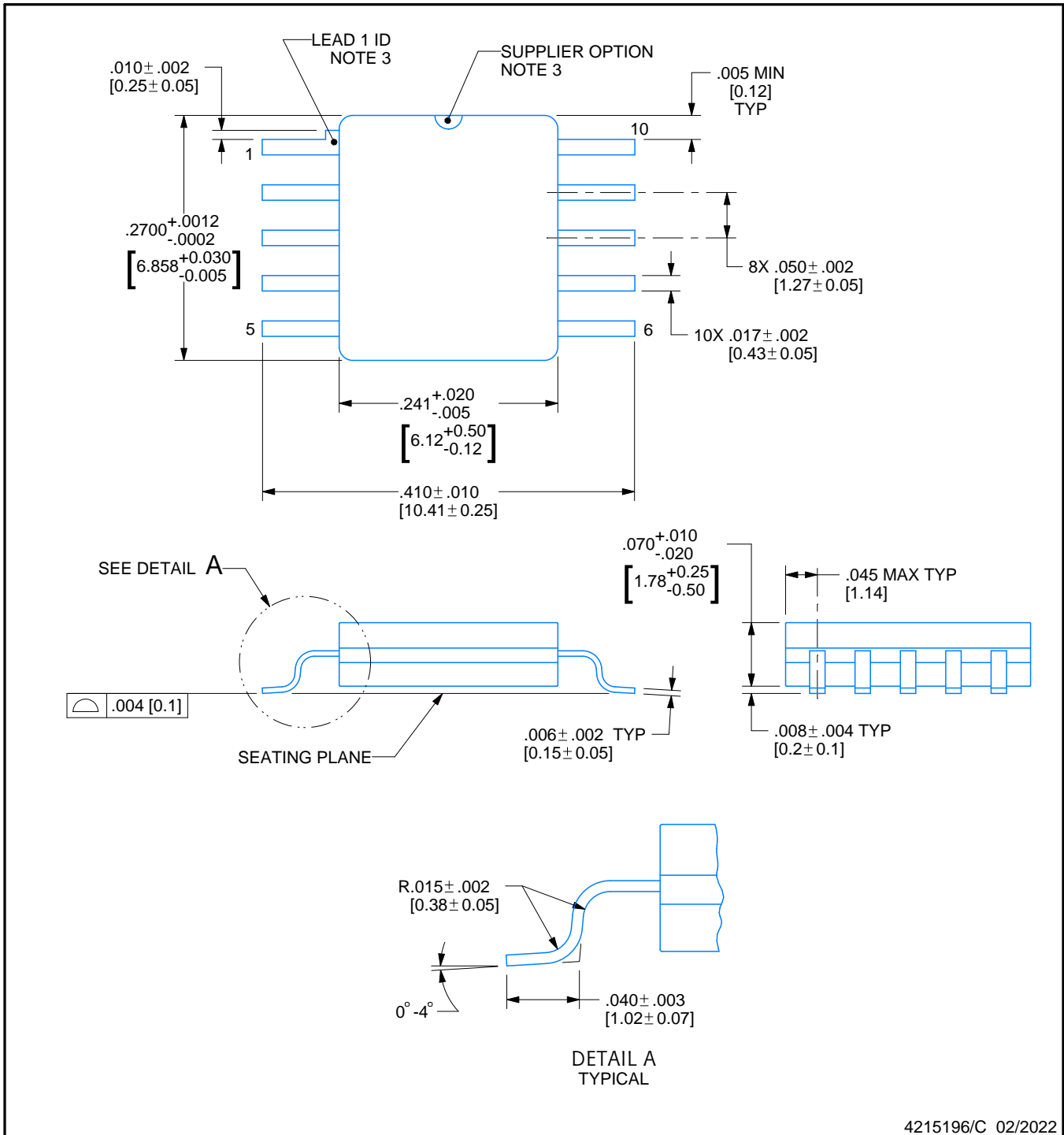


# PACKAGE OUTLINE

## NAC0010A

### CFP - 2.33mm max height

CERAMIC FLATPACK



#### NOTES:

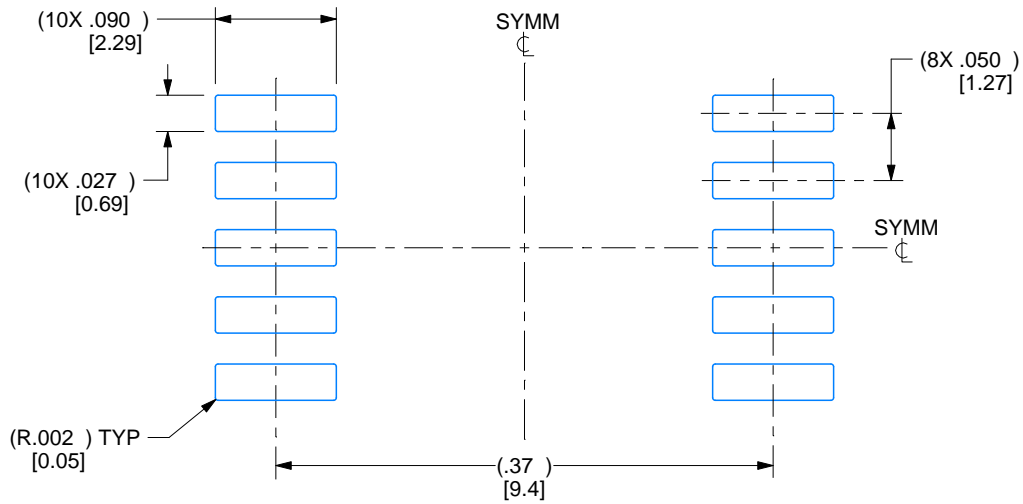
1. All controlling linear dimensions are in inches. Dimensions in brackets are in millimeters. Any dimension in brackets or parenthesis are for reference only. Dimensioning and tolerancing per ASME Y14.5M.
2. For solder thickness and composition, see the "Lead Finish Composition/Thickness" link in the packaging section of the Texas Instruments website
3. Lead 1 identification shall be:
  - a) A notch or other mark within this area
  - b) A tab on lead 1, either side
4. No JEDEC registration as of December 2021

# EXAMPLE BOARD LAYOUT

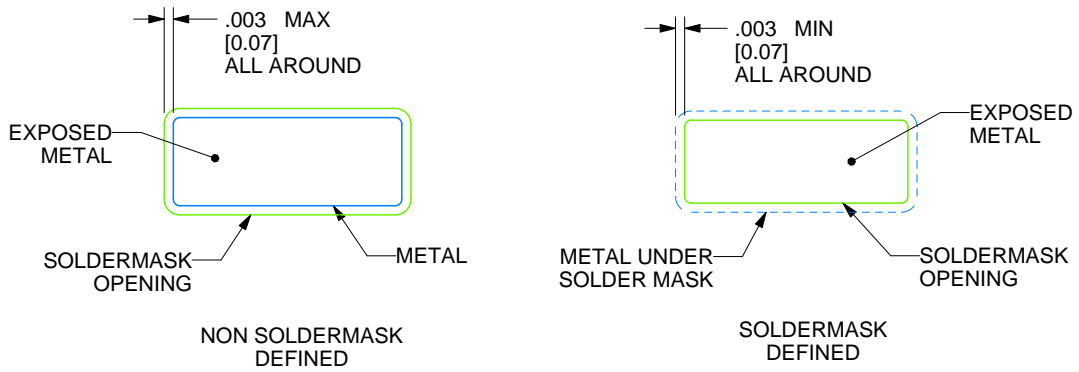
NAC0010A

CFP - 2.33mm max height

CERAMIC FLATPACK



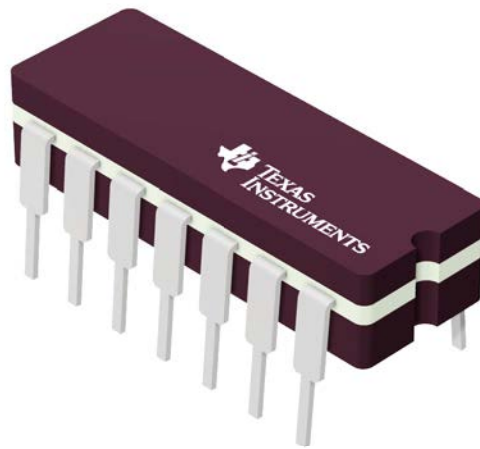
LAND PATTERN EXAMPLE  
EXPOSED METAL SHOWN  
SCALE: 7X



4215196/C 02/2022

J 14

**GENERIC PACKAGE VIEW**  
**CDIP - 5.08 mm max height**  
CERAMIC DUAL IN LINE PACKAGE



Images above are just a representation of the package family, actual package may vary.  
Refer to the product data sheet for package details.

4040083-5/G

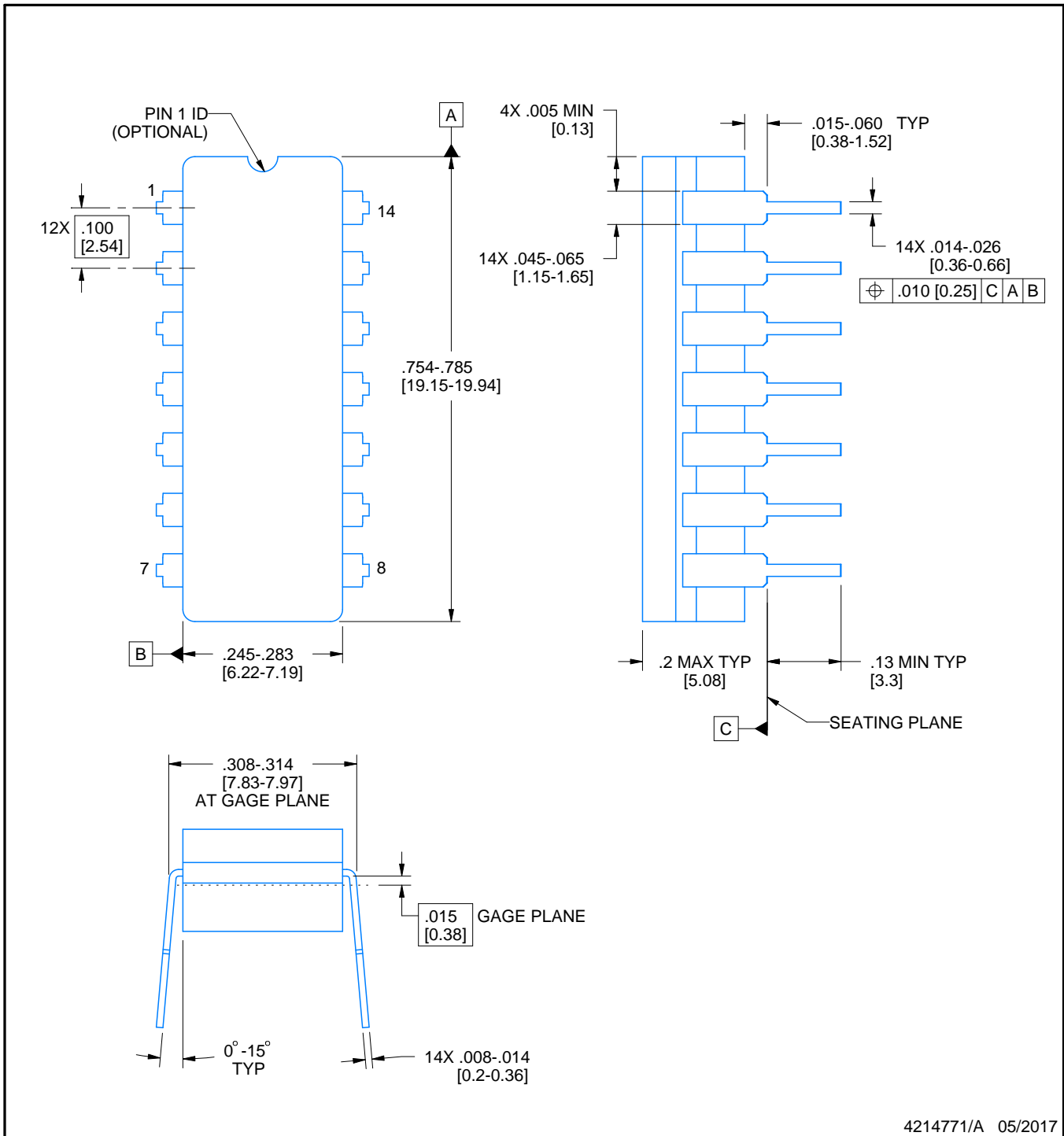
J0014A



# PACKAGE OUTLINE

CDIP - 5.08 mm max height

CERAMIC DUAL IN LINE PACKAGE



4214771/A 05/2017

NOTES:

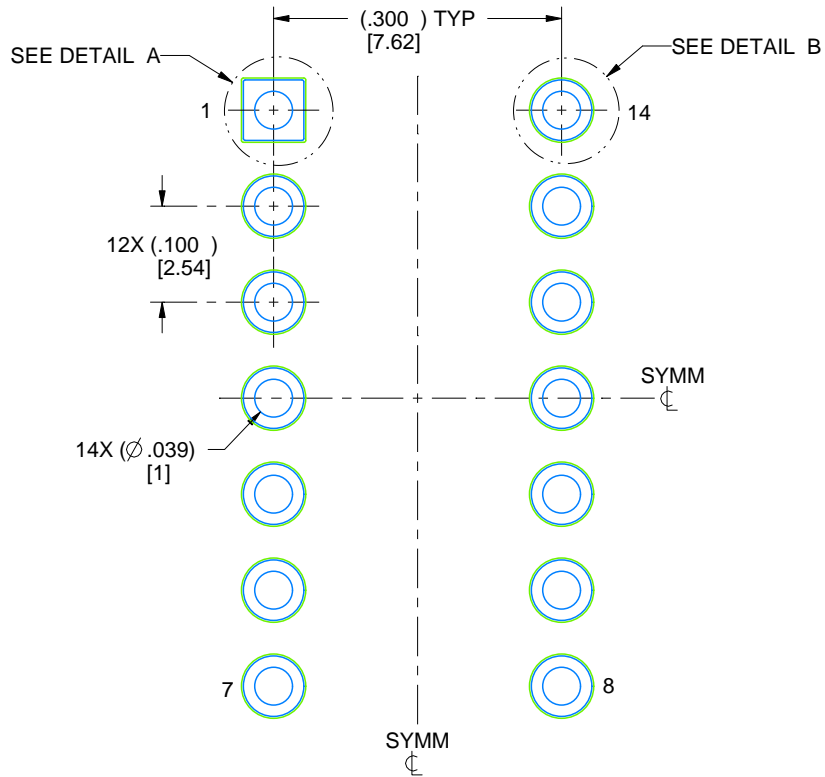
1. All controlling linear dimensions are in inches. Dimensions in brackets are in millimeters. Any dimension in brackets or parenthesis are for reference only. Dimensioning and tolerancing per ASME Y14.5M.
2. This drawing is subject to change without notice.
3. This package is hermetically sealed with a ceramic lid using glass frit.
4. Index point is provided on cap for terminal identification only and on press ceramic glass frit seal only.
5. Falls within MIL-STD-1835 and GDIP1-T14.

# EXAMPLE BOARD LAYOUT

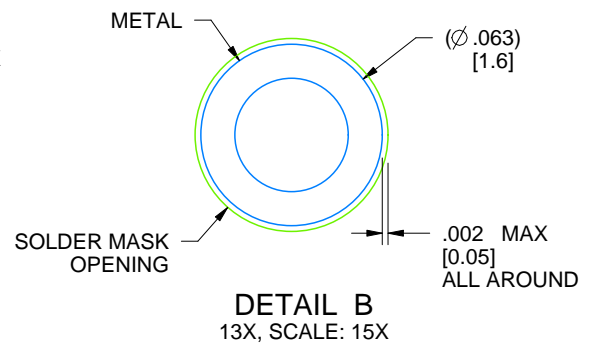
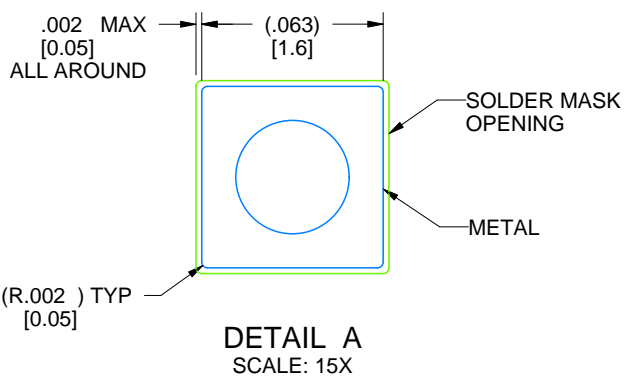
J0014A

CDIP - 5.08 mm max height

CERAMIC DUAL IN LINE PACKAGE



LAND PATTERN EXAMPLE  
NON-SOLDER MASK DEFINED  
SCALE: 5X

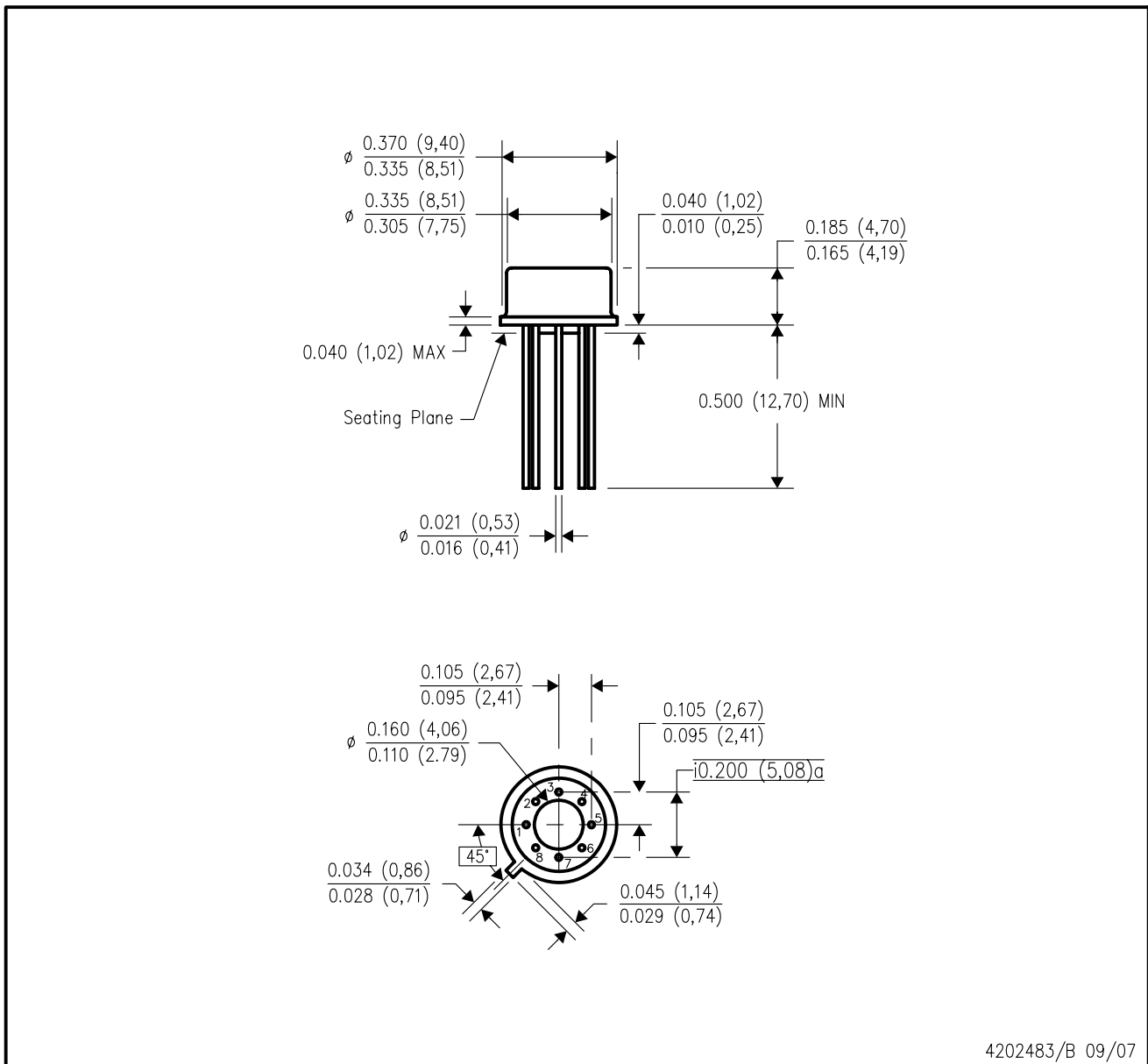


4214771/A 05/2017



LMC (O-MBCY-W8)

METAL CYLINDRICAL PACKAGE



- NOTES:
- A. All linear dimensions are in inches (millimeters).
  - B. This drawing is subject to change without notice.
  - C. Leads in true position within 0.010 (0,25) R @ MMC at seating plane.
  - D. Pin numbers shown for reference only. Numbers may not be marked on package.
  - E. Falls within JEDEC MO-002/TO-99.

## IMPORTANT NOTICE AND DISCLAIMER

TI PROVIDES TECHNICAL AND RELIABILITY DATA (INCLUDING DATA SHEETS), DESIGN RESOURCES (INCLUDING REFERENCE DESIGNS), APPLICATION OR OTHER DESIGN ADVICE, WEB TOOLS, SAFETY INFORMATION, AND OTHER RESOURCES "AS IS" AND WITH ALL FAULTS, AND DISCLAIMS ALL WARRANTIES, EXPRESS AND IMPLIED, INCLUDING WITHOUT LIMITATION ANY IMPLIED WARRANTIES OF MERCHANTABILITY, FITNESS FOR A PARTICULAR PURPOSE OR NON-INFRINGEMENT OF THIRD PARTY INTELLECTUAL PROPERTY RIGHTS.

These resources are intended for skilled developers designing with TI products. You are solely responsible for (1) selecting the appropriate TI products for your application, (2) designing, validating and testing your application, and (3) ensuring your application meets applicable standards, and any other safety, security, regulatory or other requirements.

These resources are subject to change without notice. TI grants you permission to use these resources only for development of an application that uses the TI products described in the resource. Other reproduction and display of these resources is prohibited. No license is granted to any other TI intellectual property right or to any third party intellectual property right. TI disclaims responsibility for, and you will fully indemnify TI and its representatives against, any claims, damages, costs, losses, and liabilities arising out of your use of these resources.

TI's products are provided subject to [TI's Terms of Sale](#) or other applicable terms available either on [ti.com](http://ti.com) or provided in conjunction with such TI products. TI's provision of these resources does not expand or otherwise alter TI's applicable warranties or warranty disclaimers for TI products.

TI objects to and rejects any additional or different terms you may have proposed.

Mailing Address: Texas Instruments, Post Office Box 655303, Dallas, Texas 75265  
Copyright © 2022, Texas Instruments Incorporated