



Air moving solutions made simple



AC Fans
DC Fans



AC Blowers
DC Blowers



AC Impellers
DC Impellers



AC
Motors



Accessories

Search

Part/Model #

Stock Check

Cross-Reference

Keyword

More Products

Heat Sinks

Fan Accessories

Engineering Tools

Airflow Calculator

Thermal Calculator

Unit Conversions

Application Notes

Custom Solutions

Company Info

Sales Force

Phone: 858.348.6200 FAX: 858.566.4577

Distributors

Find a Rep

Contact Us

Whiffet - WT24B3 - 031102
(Family) (Model) (Part Number)

Electrical Specifications

Operating Voltage:	24 Volts
Voltage Range:	12 - 28 Volts
Power Supply:	4.8 Watts
Line Current:	0.20 Amps
Locked Rotor Current	0.62 Amps
Nominal Speed:	4050 RPM

Mechanical Specifications

Dimensions:	3.1 x 3.1 x 1.3 in
Weight	6.7 oz
Max Airflow @ 0 in H ₂ O	15.0 CFM
Max Pressure @ 0 CFM	0.620 in H ₂ O
Noise	52.2 dBA

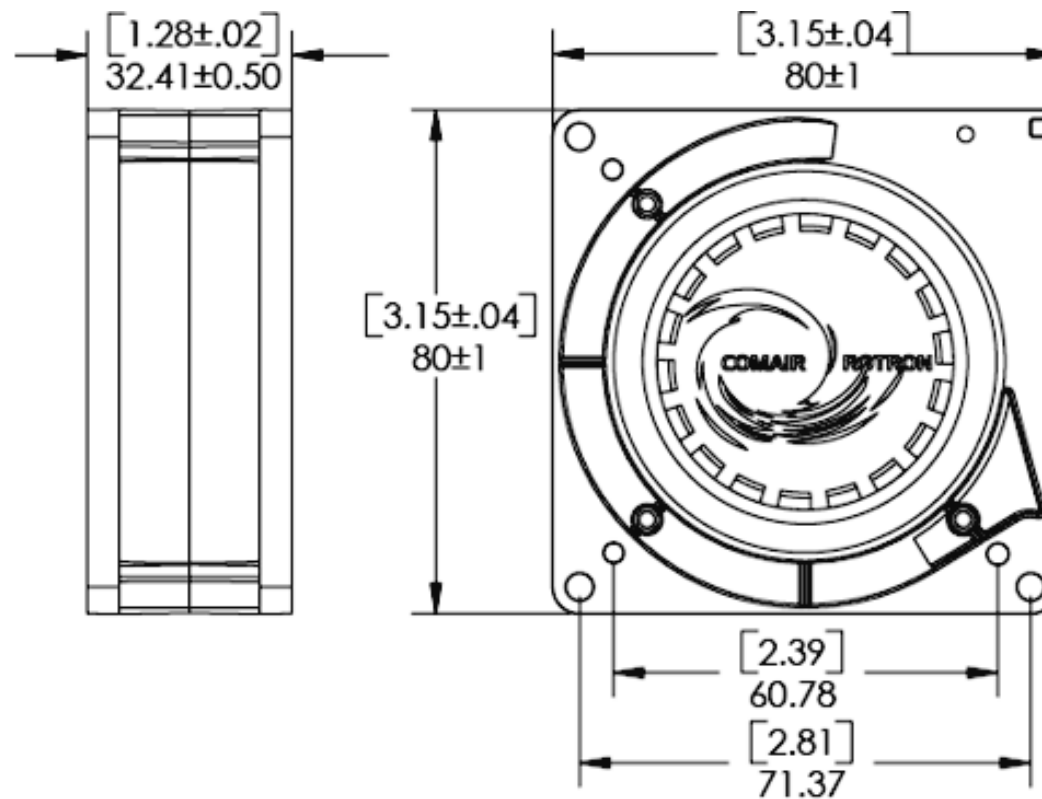


Detailed
Drawing



Printer-Friendly
Datasheet

Mechanical Drawing



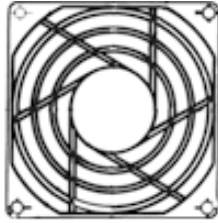
Options

Part Number	Model Number	Bearing Type	Fan Rotation	Termination	In-Stock (Click 'Yes' for current stock)
031102	WT24B3	Ball	Exhaust Through Nozzle	12in Leadwires	Yes
039661	WT24B3-E2	Ball	Exhaust Through Nozzle	12in Leadwires	No
039801	WT24B3NDNX	Ball	Exhaust Through Nozzle	12in Leadwires	No
032579	WT24B3QDNX	Ball	Exhaust Through Nozzle	12in Leadwires	No

<<< Select the fan with desired options, then press the **Update Datasheet** button.

Accessories [\(Click on part number for detailed drawing.\)](#)

550648
Finger Guard



476143
Finger Guard



Comair Rotron, Inc.

Phone: 858.348.6200

FAX: 858.566.4577

sales@comairrotron.com

ThermaFlo, Inc.

Phone: 972.312.8609

FAX: 972.312.8617

info@thermaflo.com

Comair Rotron Europe, Ltd.

Phone: +44.1527.520525

FAX: +44.1527.520565

saleseurope@comairrotron.com

Comair Rotron Fan Company Ltd.

Phone: +86.21.52260581

FAX: +86.21.52260597

salesasia@comairrotron.com