

JSOM SERIES

MICRO JACK SCREW STANDOFF

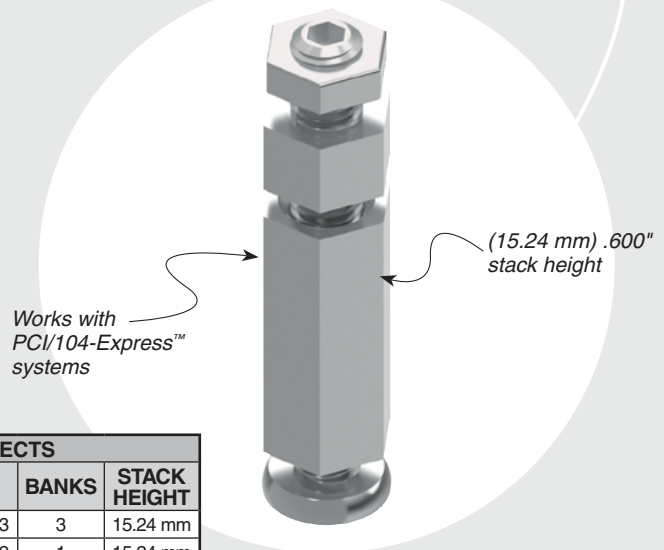
SPECIFICATIONS

For complete specifications and recommended PCB layouts see www.samtec.com?JSOM

Material:
Stainless Steel

ALSO AVAILABLE
(MOQ Required)

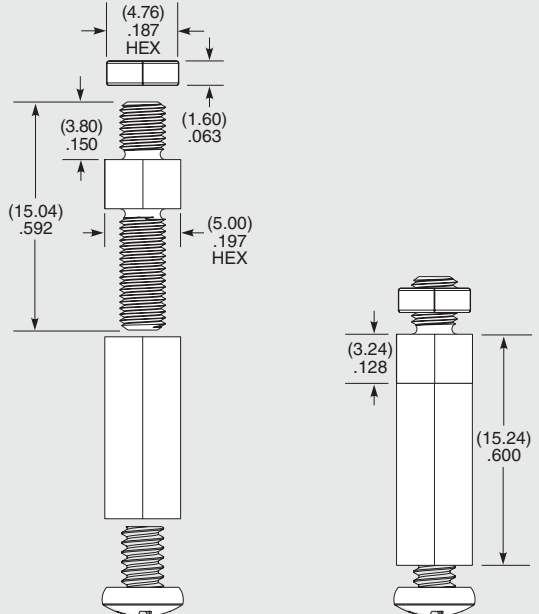
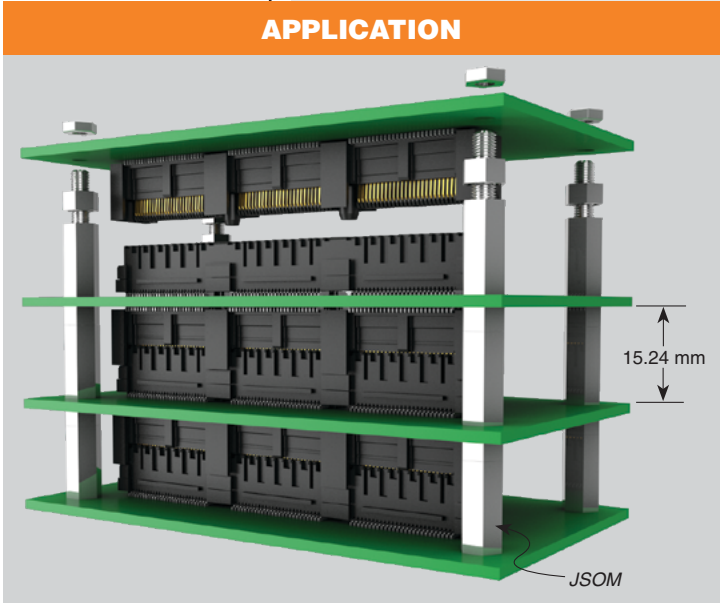
- Other heights



INDUSTRY STANDARD	INTERCONNECTS			
	TERMINAL	SOCKET	BANKS	STACK HEIGHT
PCI/104-Express™	ASP-129637-03	ASP-129646-03	3	15.24 mm
PCI/104-Express™	ASP-129637-13	ASP-129646-22	1	15.24 mm
SUMIT™	ASP-129637-01	ASP-129646-01	1	15.24 mm

JSOM	BOARD STACKER	LEAD STYLE
	-1524 = (15.24 mm) .600" Stack Height	-02 = Female Thread

APPLICATION



Notes:
Patent Pending

Components are to be packaged in separate bags unassembled.

Due to technical progress, all designs, specifications and components are subject to change without notice.

WWW.SAMTEC.COM

All parts within this catalog are built to Samtec's specifications. Customer specific requirements must be approved by Samtec and identified in a Samtec customer-specific drawing to apply.