



ISOLATED RS-485 PROFIBUS TRANSCEIVER

Check for Samples: [ISO1176](#)

FEATURES

- **4000-V_{PEAK} Isolation, 560-V_{peak} V_{IORM}**
 - UL 1577, IEC 60747-5-2 (VDE 0884, Rev. 2), IEC 61010-1, IEC 60950-1 and CSA Approved
- **Bus-Pin ESD Protection**
 - 16 kV HBM Between Bus Pins and GND2
 - 6 kV HBM Between Bus Pins and GND1
- **Meets or Exceeds the Requirements of EN 50170 and TIA/EIA-485**
- **Signaling Rates up to 40 Mbps**
- **Differential Output Exceeds 2.1 V (54 Ω Load)**

- **Low Bus Capacitance – 10 pF (MAX)**
- **50 kV/μs Typical Transient Immunity**
- **Failsafe Receiver for Bus Open, Short, Idle**
- **3.3-V Inputs are 5-V Tolerant**

APPLICATIONS

- **Profibus**
- **Factory Automation**
- **Networked Sensors**
- **Motor/Motion Control**
- **HVA and Building Automation Networks**
- **Networked Security Stations**

DESCRIPTION

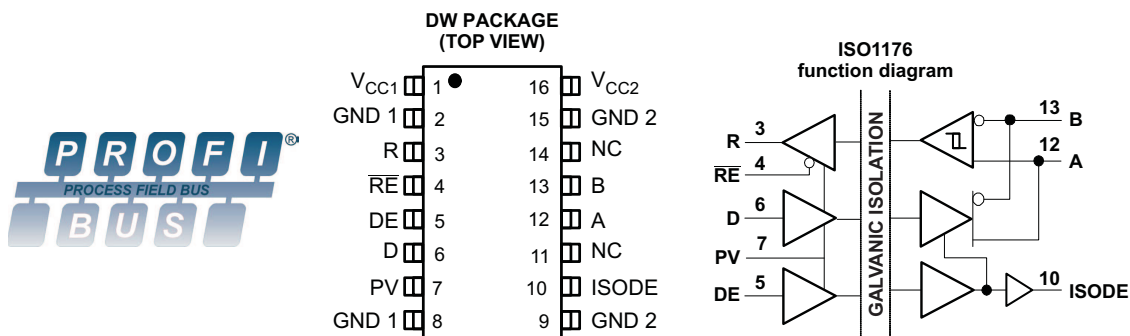
The ISO1176 is an isolated differential line transceiver designed for use in PROFIBUS applications. The device is ideal for long transmission lines since the ground loop is broken to provide for operation with a much larger common mode voltage range. The symmetrical isolation barrier of each device is tested to provide 2500 Vrms of isolation between the line transceiver and the logic level interface.

The galvanically isolated differential bus transceiver is an integrated circuit designed for bi-directional data communication on multipoint bus-transmission lines. The transceiver combines a galvanically isolated differential line driver and differential input line receiver. The driver has an active-high enable with isolated enable-state output on the ISODE pin (pin 10) to facilitate direction control. The driver differential outputs and the receiver differential inputs connect internally to form a differential input/output (I/O) bus port that is designed to offer minimum loading to the bus allowing up to 160 nodes.

The PV pin (pin 7) is provided as a full-chip enable option. All device outputs become high impedance when a logic low is applied to the PV pin. For more information, see the function tables in the device information section.

Any cabled I/O can be subjected to electrical noise transients from various sources. These noise transients can cause damage to the transceiver and/or near-by sensitive circuitry if they are of sufficient magnitude and duration. The ISO1176 can significantly reduce the risk of data corruption and damage to expensive control circuits.

The device is characterized for operation over the ambient temperature range of –40°C to 85°C.



Please be aware that an important notice concerning availability, standard warranty, and use in critical applications of Texas Instruments semiconductor products and disclaimers thereto appears at the end of this data sheet.



These devices have limited built-in ESD protection. The leads should be shorted together or the device placed in conductive foam during storage or handling to prevent electrostatic damage to the MOS gates.

ABSOLUTE MAXIMUM RATINGS

over operating junction temperature range unless otherwise noted⁽¹⁾

		VALUE	UNIT			
V_{CC1} , V_{CC2}	Supply voltage ⁽²⁾	–0.5 to 7	V			
V_O	Voltage at any bus I/O terminal	–9 to 14	V			
V_I	Voltage input at any D, DE or \overline{RE} terminal	–0.5 to 7	V			
I_O	Receiver output current	±10	mA			
ESD	Electrostatic discharge	Human Body Model	JEDEC Standard 22, Test Method A114-C.01	Bus pins to GND1	±6	kV
				Bus pins to GND2	±16	
				All pins	±4	
	Charged Device Model	JEDEC Standard 22, Test Method C101	All pins	±1	V	
	Machine model	ANSI/ESDS5.2-1996	All pins	±200	V	
T_J	Maximum junction temperature	170	°C			

- (1) Stresses beyond those listed under *absolute maximum ratings* may cause permanent damage to the device. These are stress ratings only, and functional operation of the device at these or any other conditions beyond those indicated under *recommended operating conditions* is not implied. Exposure to absolute-maximum-rated conditions for extended periods may affect device reliability. All voltage values are with respect to the network ground terminal unless otherwise noted.
- (2) All voltage values except differential I/O bus voltages are with respect to the referenced network ground terminal and are peak voltage values.

RECOMMENDED OPERATING CONDITIONS

		MIN	TYP	MAX	UNIT
V_{CC}	Logic side supply voltage, V_{CC1} (with respect to GND1)	3.15		5.5	V
	Bus side supply voltage, V_{CC2} (with respect to GND2)	4.75		5.25	
V_{CM}	Voltage at either bus I/O terminal	A, B	–7	12	V
V_{IH}	High-level input voltage	PV, \overline{RE}	2	V_{CC1}	V
		D, DE	$0.7 V_{CC1}$		
V_{IL}	Low-level input voltage	PV, \overline{RE}	0	0.8	V
		D, DE		$0.3 V_{CC1}$	
V_{ID}	Differential input voltage	A with respect to B	–12	12	V
I_O	Output current	Driver	–70	70	mA
		Receiver	–8	8	
	Input pulse width		10		ns
T_J	Operating junction temperature	–40		150	°C

SUPPLY CURRENT

over recommended operating conditions (unless otherwise noted)

PARAMETER		TEST CONDITIONS			MIN	TYP	MAX	UNIT
I_{CC1}	Logic side RMS supply current	3 V	DE at 0 V			4	6	mA
			DE at V_{CC1} , 2 Mbps			5		
			DE at V_{CC1} , 25 Mbps			6		
	5.5 V	DE at 0 V			7	10	mA	
		DE at V_{CC1} , 2 Mbps			8			
		DE at V_{CC1} , 25 Mbps			11			

SUPPLY CURRENT (continued)

over recommended operating conditions (unless otherwise noted)

PARAMETER			TEST CONDITIONS	MIN	TYP	MAX	UNIT
I _{CC2}	Bus side RMS supply current	5.25 V	DE at 0 V		15	18	mA
			DE at V _{CC1} , 2 Mbps, 54 Ω load		70		
			DE at V _{CC1} , 25 Mbps, 54 Ω load		75		

ISODE-PIN ELECTRICAL CHARACTERISTICS

over recommended operating conditions (unless otherwise noted)

PARAMETER			TEST CONDITIONS	MIN	TYP	MAX	UNIT
V _{OH}	High-level output voltage		I _{OH} = –8 mA	V _{CC2} – 0.8	4.6		V
			I _{OH} = –20 μA	V _{CC2} – 0.1	5		
V _{OL}	Low-level output voltage		I _{OL} = 8 mA		0.2	0.4	V
			I _{OL} = 20 μA		0	0.1	

DRIVER ELECTRICAL CHARACTERISTICS

over recommended operating conditions (unless otherwise noted)

PARAMETER			TEST CONDITIONS	MIN	TYP	MAX	UNIT	
V _{OD}	Open-circuit differential output voltage		V _A – V _B , Figure 1	1.5		V _{CC2}	V	
V _{OD(SS)}	Steady-state differential output voltage magnitude		See Figure 2 and Figure 6	2.1			V	
			Common-mode loading with V _{test} from –7 V to 12 V, See Figure 3	2.1				
ΔV _{OD(SS)}	Change in steady-state differential output voltage between logic states		R _L = 54 Ω, See Figure 4 and Figure 5	–0.2		0.2	V	
V _{OC(SS)}	Steady-state common-mode output voltage		R _L = 54 Ω, See Figure 4 and Figure 5	2		3	V	
ΔV _{OC(SS)}	Change in steady-state common-mode output voltage			–0.2		0.2		
V _{OC(PP)}	Peak-to-peak common-mode output voltage			0.5				
V _{OD(RING)}	Differential output voltage over and under shoot		See Figure 6 and Figure 10			10%	V _{OD(pp)}	
V _{I(HYS)}	Input voltage hysteresis		See Figure 7		150		mV	
I _I	Input current		D, DE at 0 V or V _{CC1}	–10		10	μA	
			PV ⁽¹⁾ at 0 V or V _{CC1}			120		
I _{O(OFF)}	Output current with power off		V _{CC} ≤ 2.5 V	See Receiver input current				
I _{OZ}	High impedance state output current		DE at 0 V					
I _{OS(P)}	Peak short-circuit output current		DE at V _{CC} , See Figure 8 and Figure 9	V _{OS} = –7 V to 12 V	–250	250	mA	
I _{OS(SS)}	Steady-state short-circuit output current			V _{OS} = 12 V, D at GND1		135		
				V _{OS} = –7 V, D at V _{CC1}	–135			
C _{OD}	Differential output capacitance			See Receiver C _{IN}				
CMTI	Common-mode transient immunity		See Figure 20	25			kV/μs	

(1) The PV pin has a 50 kΩ pull-up resistor and leakage current depends on supply voltage.

DRIVER SWITCHING CHARACTERISTICS

over recommended operating conditions (unless otherwise noted)

PARAMETER			TEST CONDITIONS	MIN	TYP	MAX	UNIT	
t_{pLH} , t_{pHL}	Propagation delay time	V_{CC1} at 5 V V_{CC2} at 5 V	See Figure 10			35	ns	
$t_{sk(p)}$	Pulse skew ($ t_{pHL} - t_{pLH} $)				2	5	ns	
t_{pLH} , t_{pHL}	Propagation delay time	V_{CC1} at 3.3 V V_{CC2} at 5 V				40	ns	
$t_{sk(p)}$	Pulse skew ($ t_{pHL} - t_{pLH} $)				2	5	ns	
t_r	Differential output signal rise time				2	3	7.5	ns
t_f	Differential output signal fall time				2	3	7.5	ns
t_{pDE}	DE to ISODE prop delay		See Figure 14			30	ns	
$t_{t(MLH)}$, $t_{t(MHL)}$	Output transition skew		See Figure 11			1	ns	
$t_{p(AZH)}$, $t_{p(BZH)}$ $t_{p(AZL)}$, $t_{p(BZL)}$	Propagation delay time, high-impedance-to-active output		$C_L = 50$ pF, \overline{RE} at 0 V, See Figure 12 and Figure 13			80	ns	
$t_{p(AHZ)}$, $t_{p(BHZ)}$ $t_{p(ALZ)}$, $t_{p(BLZ)}$	Propagation delay time, active-to- high-impedance output					80	ns	
$ t_{p(AZL)} - t_{p(BZH)} $ $ t_{p(AZH)} - t_{p(BZL)} $	Enable skew time				0.55	1.5	ns	
$t_{(CFB)}$	Time from application of short-circuit to current foldback		See Figure 9		0.5		μ s	
$t_{(TSD)}$	Time from application of short-circuit to thermal shutdown		$T_A = 25^\circ\text{C}$, See Figure 9	100			μ s	

RECEIVER ELECTRICAL CHARACTERISTICS

over recommended operating conditions (unless otherwise noted)

PARAMETER			TEST CONDITIONS	MIN	TYP	MAX	UNIT
$V_{IT(+)}$	Positive-going differential input voltage threshold	See Figure 15	$I_O = -8$ mA		-80	-10	mV
$V_{IT(-)}$	Negative-going differential input voltage threshold		$I_O = 8$ mA		-200	-120	mV
V_{hys}	Hysteresis voltage ($V_{IT+} - V_{IT-}$)				40		mV
V_{OH}	High-level output voltage	V_{CC1} at 3.3 V and V_{CC2} at 5 V	$V_{ID} = 200$ mV, See Figure 15	$I_{OH} = -8$ mA	$V_{CC1} - 0.4$	3	V
V_{OL}	Low-level output voltage		$V_{ID} = -200$ mV, See Figure 15	$I_{OH} = -20$ μ A	$V_{CC1} - 0.1$	3.3	
V_{OH}	High-level output voltage	V_{CC1} at 5 V and V_{CC2} at 5 V	$V_{ID} = 200$ mV, See Figure 15	$I_{OH} = -8$ mA	$V_{CC1} - 0.8$	4.6	V
V_{OL}	Low-level output voltage		$V_{ID} = -200$ mV, See Figure 15	$I_{OH} = -20$ μ A	$V_{CC1} - 0.1$	5	
I_A , I_B	Bus pin input current		$V_I = -7$ V or 12 V, Other input = 0 V	$V_{CC} = 4.75$ V or 5.25 V	-160	200	μ A
$I_{A(OFF)}$ $I_{B(OFF)}$				$V_{CC2} = 0$ V			
I_I	Receiver enable input current		$\overline{RE} = 0$ V		-50	50	μ A
I_{OZ}	High-impedance state output current		$\overline{RE} = V_{CC1}$		-1	1	μ A
R_{ID}	Differential input resistance		A, B		48		k Ω
C_{ID}	Differential input capacitance		Test input signal is a 1.5 MHz sine wave with 1 V _{pp} amplitude, C_D is measured across A and B		7	10	pF
C_{MR}	Common mode rejection		See Figure 19		4		V

RECEIVER SWITCHING CHARACTERISTICS

over recommended operating conditions (unless otherwise noted)

PARAMETER		TEST CONDITIONS	MIN	TYP	MAX	UNIT
t_{pLH} , t_{pHL}	Propagation delay time	V_{CC1} at 5 V, V_{CC2} at 5 V			50	ns
$t_{sk(p)}$	Pulse skew ($ t_{pHL} - t_{pLH} $)			2	5	
t_{pLH} , t_{pHL}	Propagation delay time	V_{CC1} at 3.3 V, V_{CC2} at 5 V			55	ns
$t_{sk(p)}$	Pulse skew ($ t_{pHL} - t_{pLH} $)			2	5	
t_r	Output signal rise time	See Figure 16		2	4	ns
t_f	Output signal fall time			2	4	
t_{pZH}	Propagation delay time, high-impedance-to-high-level output	DE at V_{CC1} , See Figure 17		13	25	ns
t_{pHZ}	Propagation delay time, high-level-to-high-impedance output			13	25	
t_{pZL}	Propagation delay time, high-impedance-to-low-level output	DE at V_{CC} , See Figure 18		13	25	ns
t_{pLZ}	Propagation delay time, low-level-to-high-impedance output			13	25	

PARAMETER MEASUREMENT INFORMATION

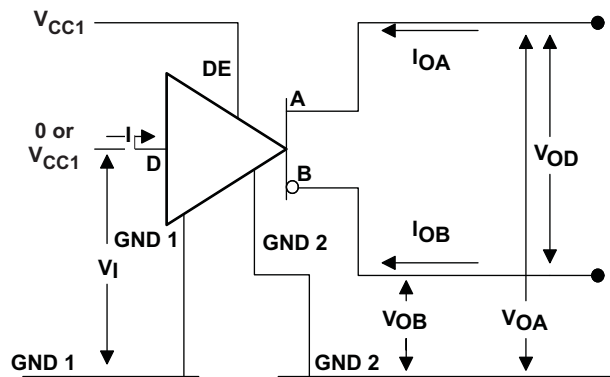


Figure 1. Open Circuit Voltage Test Circuit

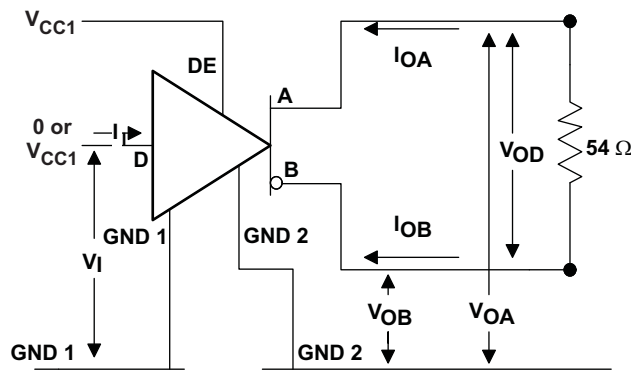


Figure 2. V_{OD} Test Circuit

PARAMETER MEASUREMENT INFORMATION (continued)

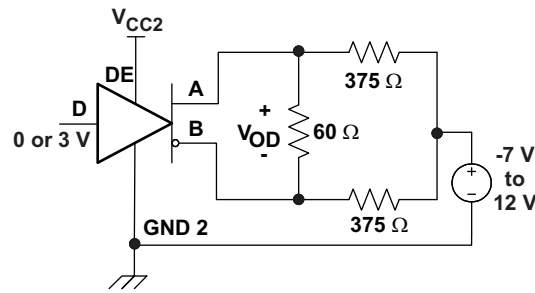


Figure 3. Driver V_{OD} with Common-mode Loading Test Circuit

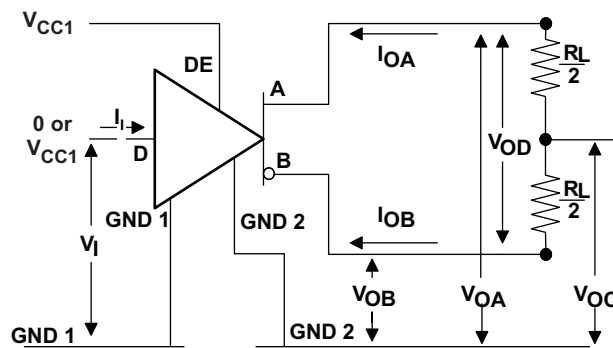


Figure 4. Driver V_{OD} and V_{OC} Without Common-mode Loading Test Circuit

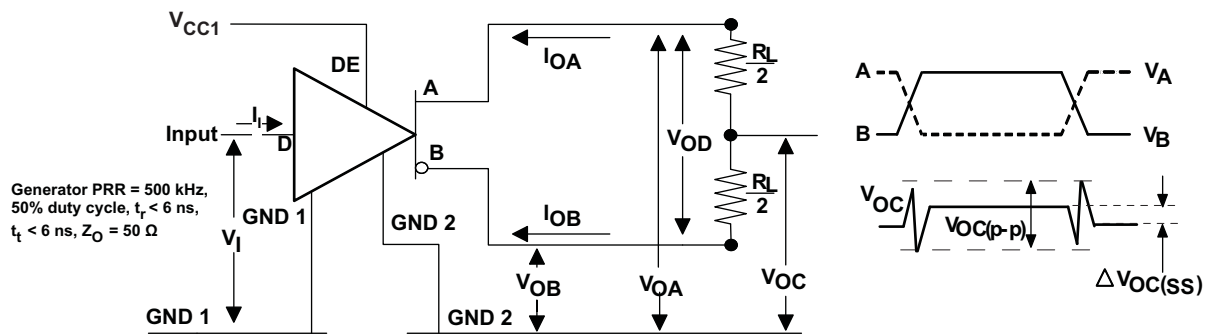


Figure 5. Steady-State Output Voltage Test Circuit and Voltage Waveforms

PARAMETER MEASUREMENT INFORMATION (continued)

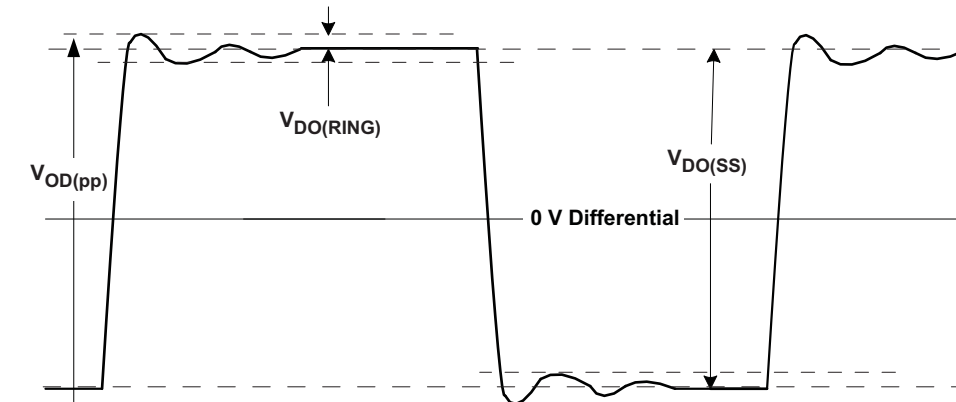


Figure 6. $V_{OD(RING)}$ Waveform and Definitions

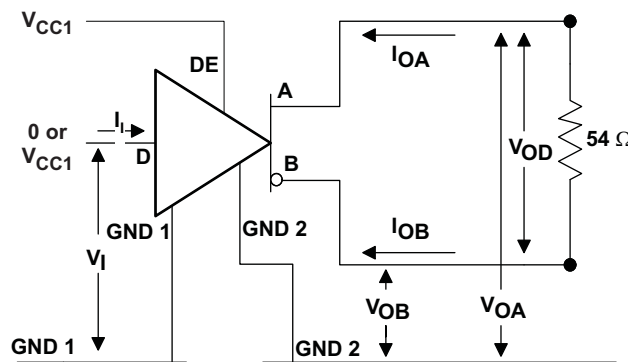


Figure 7. Input Voltage Hysteresis Test Circuit

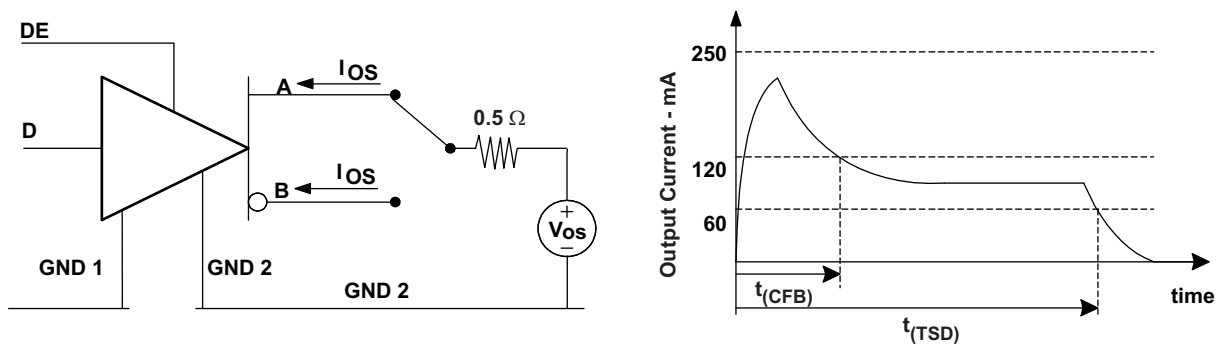


Figure 8. Driver Short-Circuit Test Circuit and Waveforms (Short Circuit applied at Time $t=0$)

PARAMETER MEASUREMENT INFORMATION (continued)

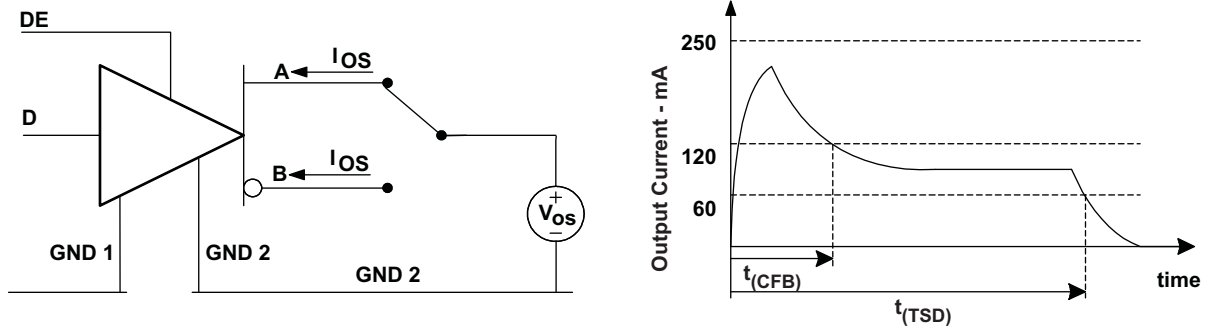


Figure 9. $I_{OS(ss)}$ Steady State Short Circuit Output Current Test Circuit

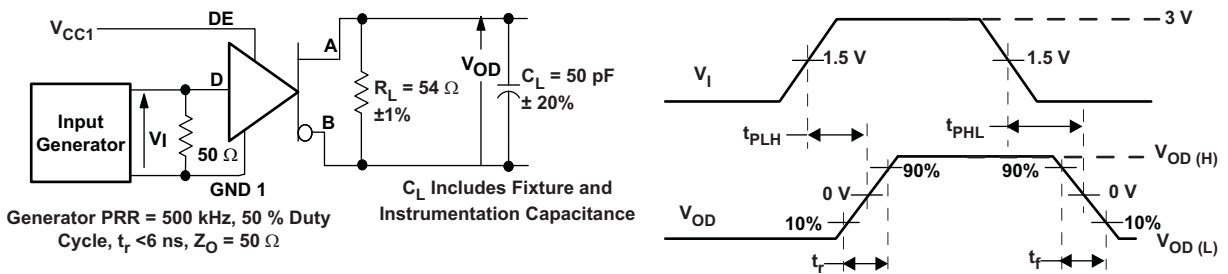


Figure 10. Driver Switching Test Circuit and Waveforms

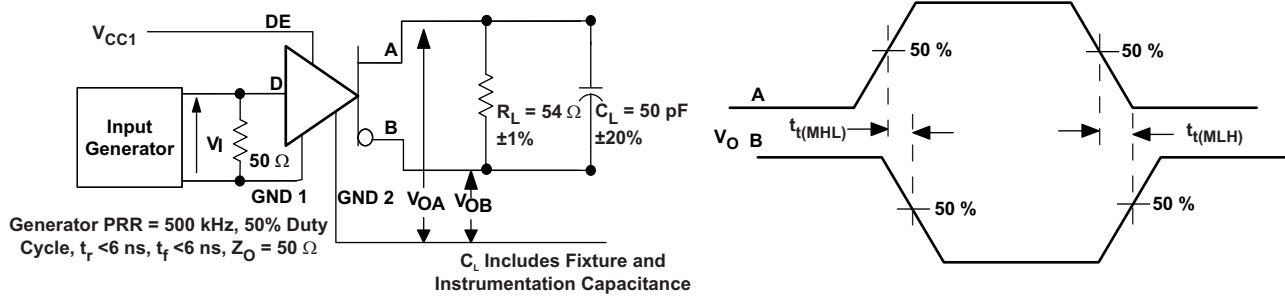


Figure 11. Driver Output Transition Skew Test Circuit and Waveforms

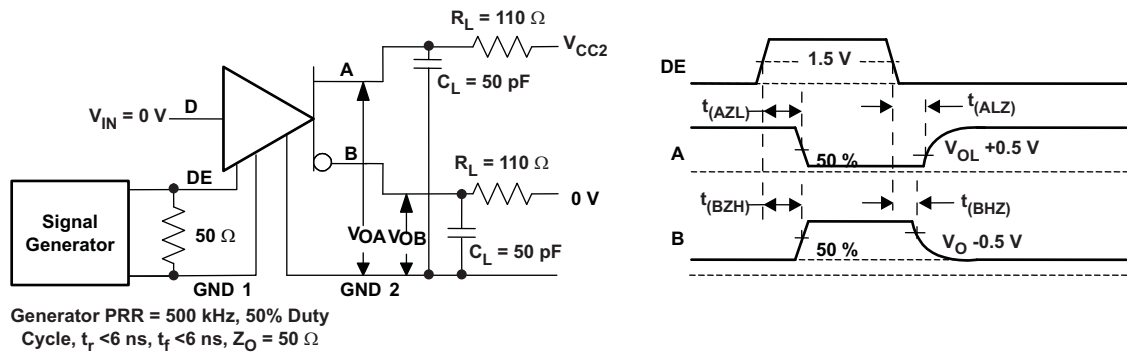


Figure 12. Driver Enable/Disable Test, D at Logic Low Test Circuit and Waveforms

PARAMETER MEASUREMENT INFORMATION (continued)

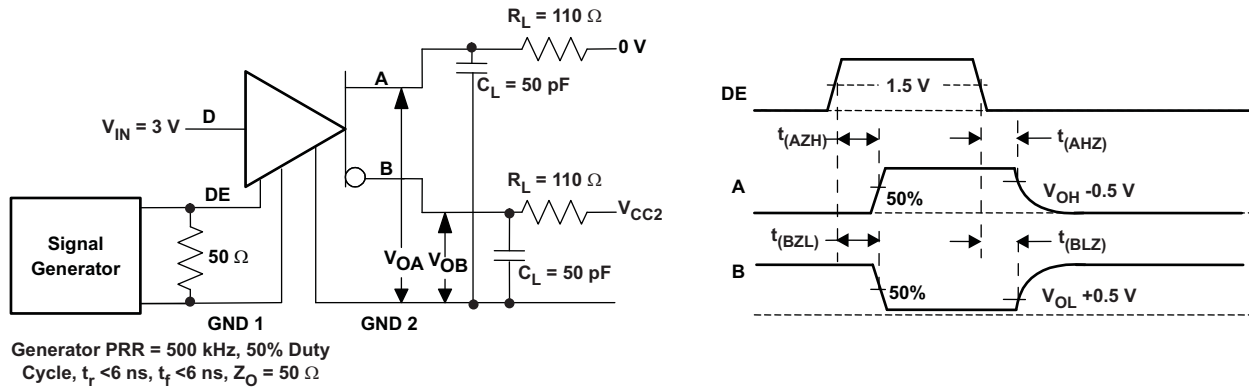


Figure 13. Driver Enable/Disable Test, D at Logic High Test Circuit and Waveforms

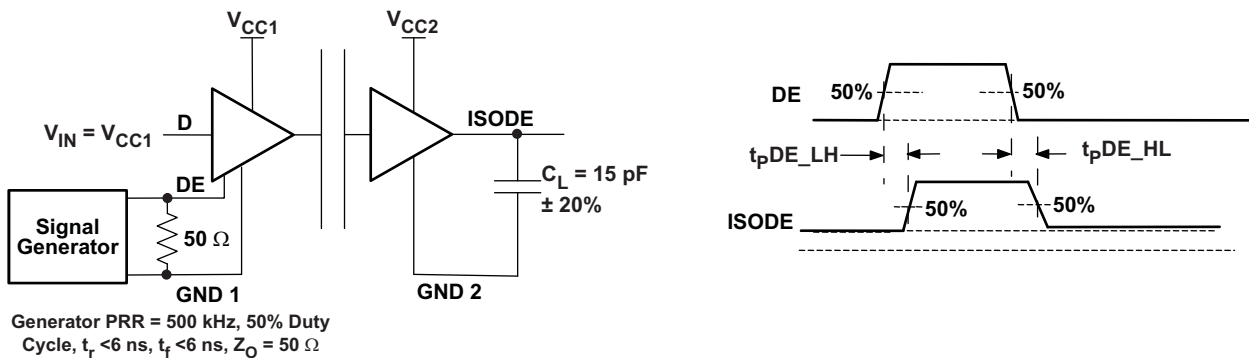


Figure 14. DE to ISODE Prop Delay Test Circuit and Waveforms

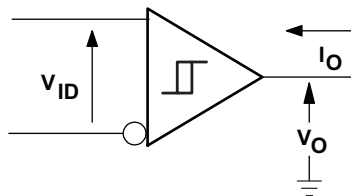


Figure 15. Receiver DC Parameter Definitions

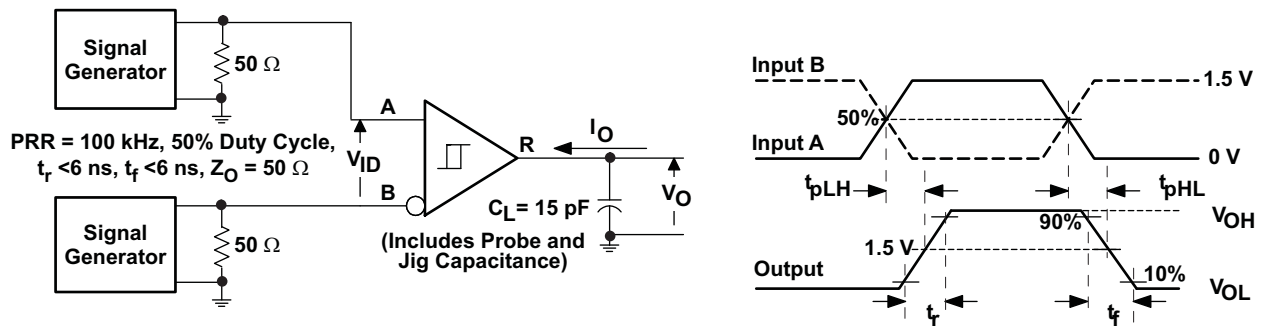


Figure 16. Receiver Switching Test Circuit and Waveforms

PARAMETER MEASUREMENT INFORMATION (continued)

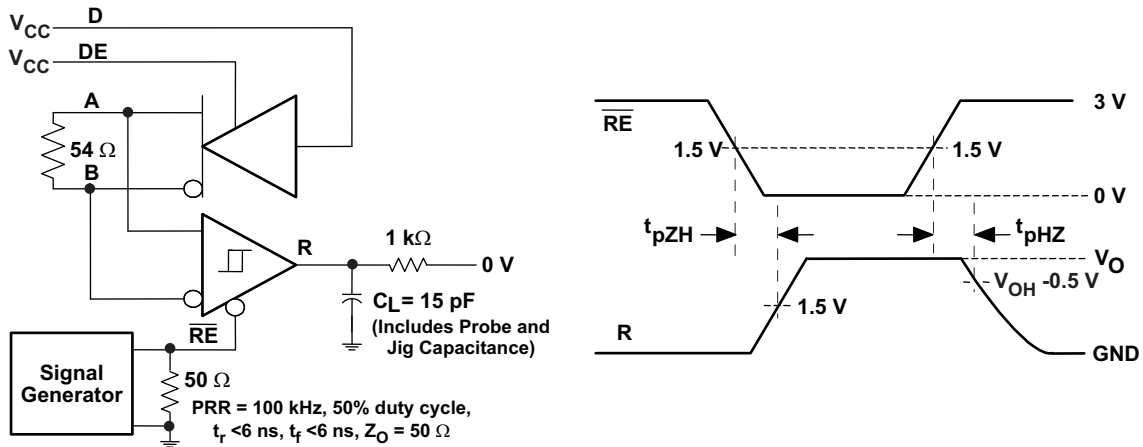


Figure 17. Receiver Enable Test Circuit and Waveforms, Data Output High

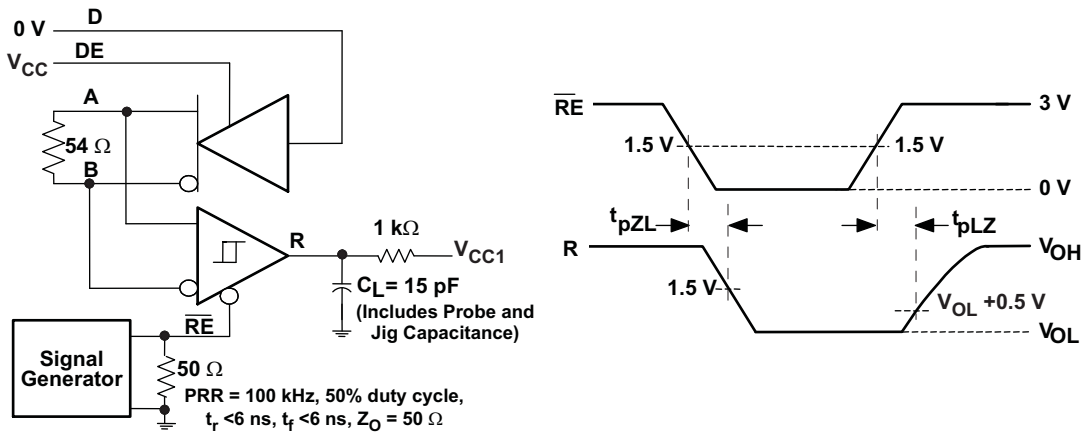


Figure 18. Receiver Enable Test Circuit and Waveforms, Data Output Low

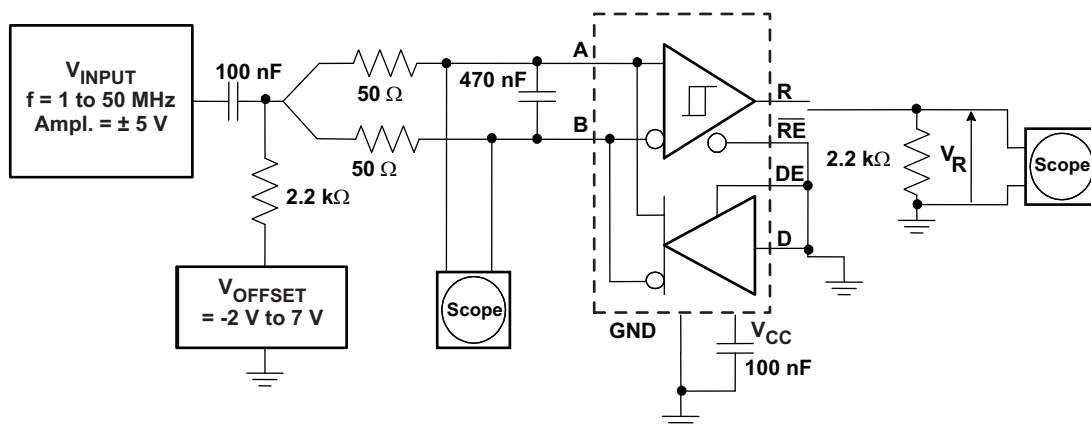


Figure 19. Common-Mode Rejection Test Circuit

PARAMETER MEASUREMENT INFORMATION (continued)

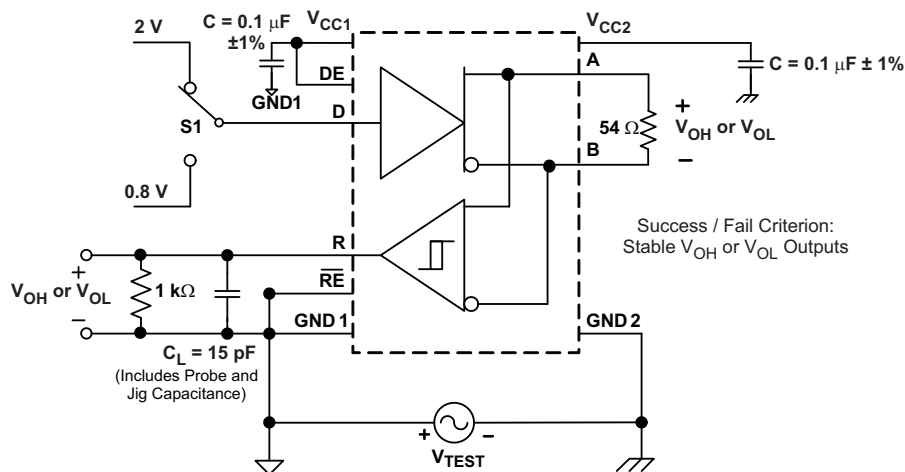


Figure 20. Common-Mode Transient Immunity Test Circuit

TYPICAL CHARACTERISTICS

**DIFFERENTIAL OUTPUT VOLTAGE
vs
LOAD CURRENT**

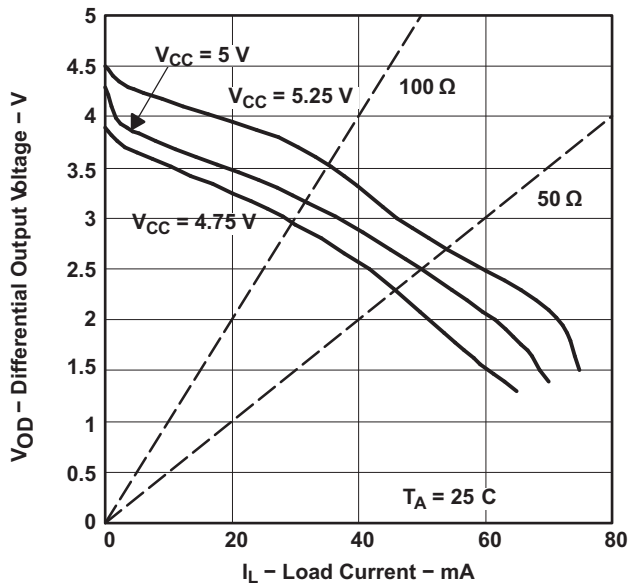


Figure 21.

**RMS SUPPLY CURRENT
vs
SIGNALLING RATE**

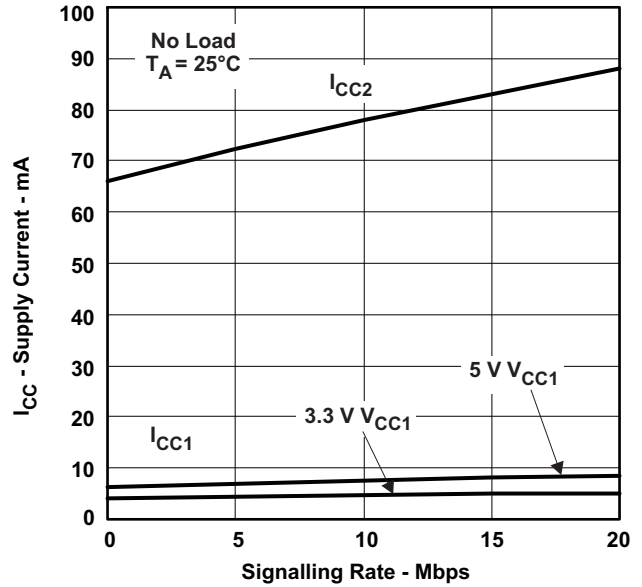


Figure 22.

**DRIVER OUTPUT TRANSITION SKEW
vs
FREE-AIR TEMPERATURE**

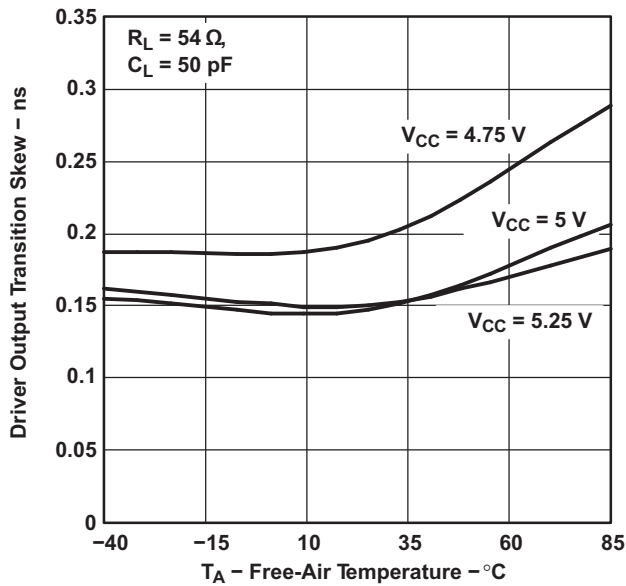


Figure 23.

**DRIVER RISE, FALL TIME
vs
FREE-AIR TEMPERATURE**

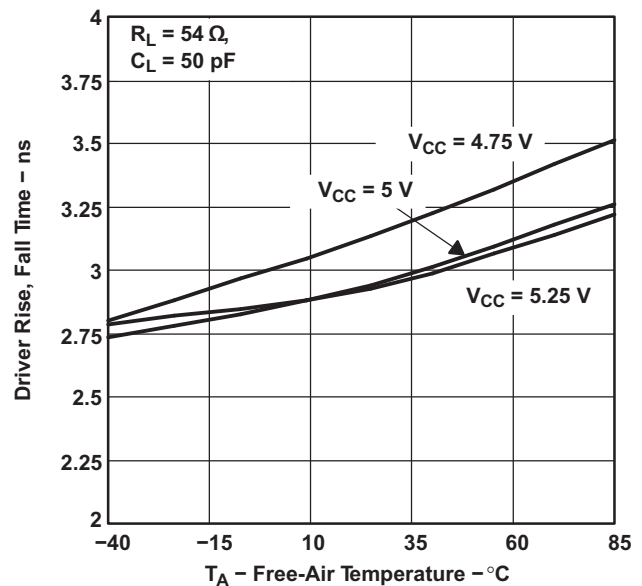


Figure 24.

TYPICAL CHARACTERISTICS (continued)

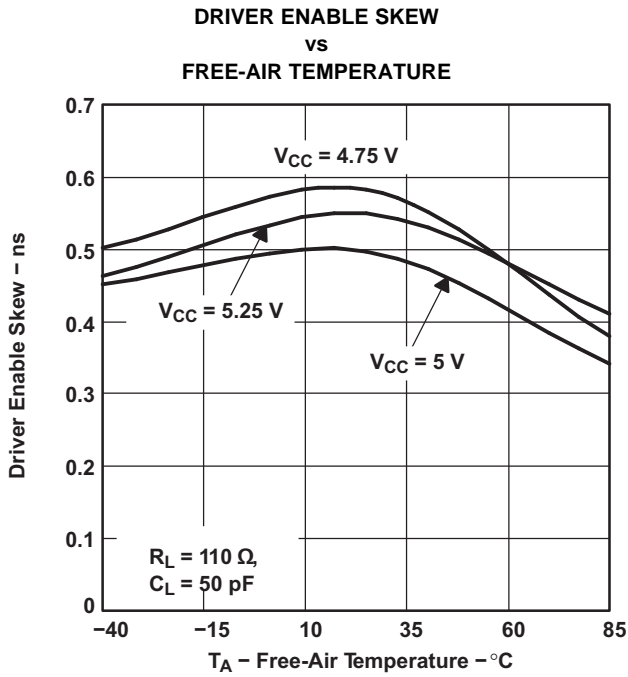


Figure 25.

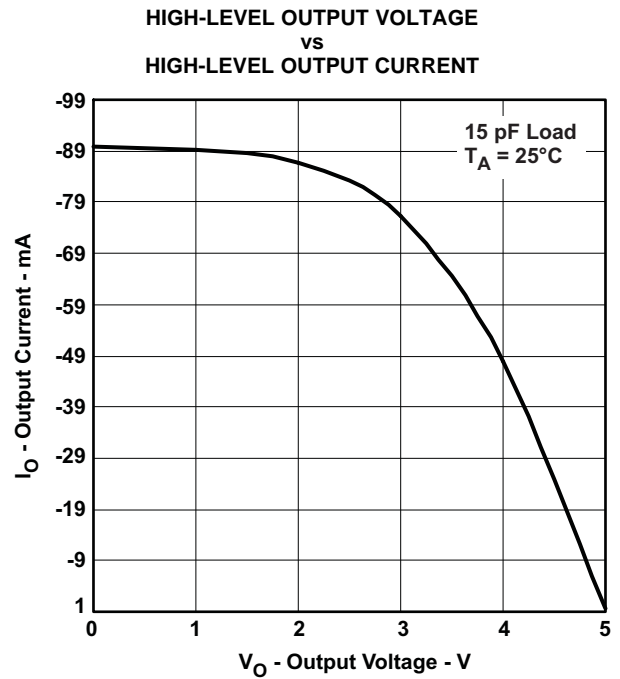


Figure 26.

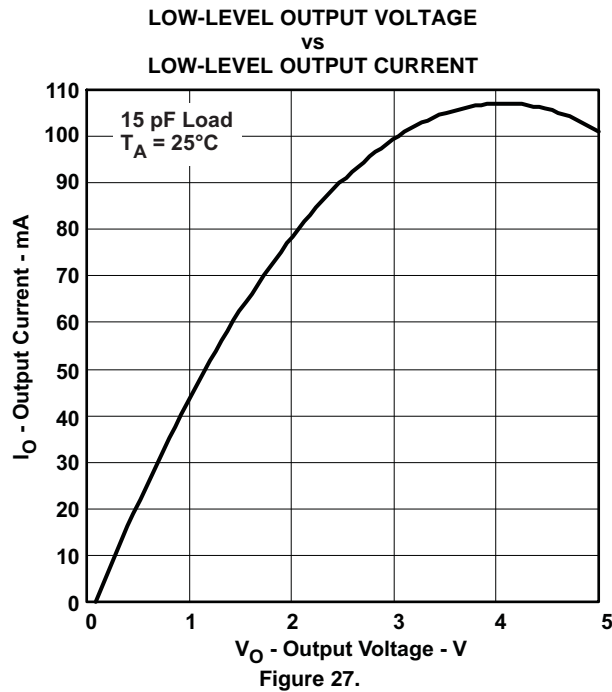
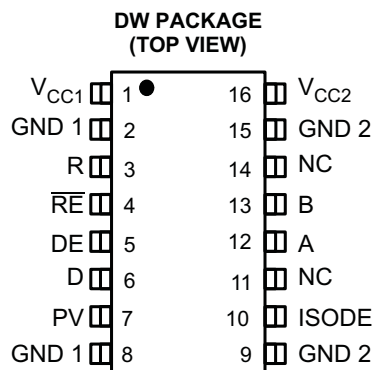


Figure 27.

DEVICE INFORMATION

PACKAGE PIN FUNCTION DESCRIPTION

NAME	PIN NO.	FUNCTION
Vcc1	1	logic side power supply
GND1	2, 8	logic side ground, internally connected
R	3	receiver output
\overline{RE}	4	receiver logic-low enable
DE	5	driver logic-high enable input
D	6	driver input
PV	7	ISO1176 chip enable, logic high applied immediately after power-up for device operation. A logic low 3-states all outputs.
GND2	9, 15	bus side ground, internally connected
ISODE	10	bus-side driver enable output
nc	11, 14	not connected internally, may be left floating
A	12	non-inverting bus output
B	13	inverting bus output
Vcc2	16	bus side power supply

DRIVER FUNCTION TABLE

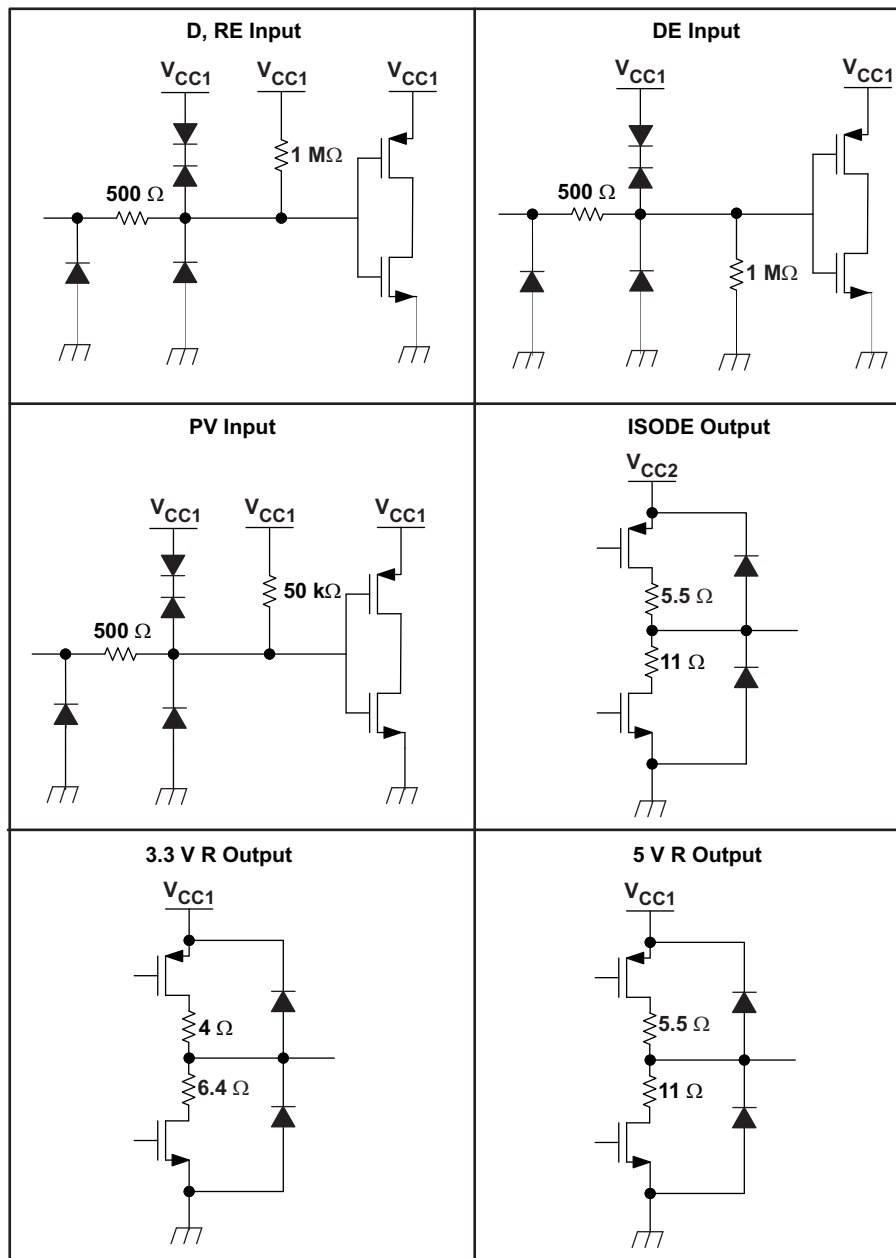
V _{CC1}	V _{CC2}	POWER VALID (PV) (ISO1176)	INPUT (D)	ENABLE INPUT (DE)	ENABLE OUTPUT (ISODE)	OUTPUTS	
						A	B
PU	PU	H or open	H	H	H	H	L
PU	PU	H or open	L	H	H	L	H
PU	PU	H or open	X	L	L	Z	Z
PU	PU	H or open	X	open	L	Z	Z
PU	PU	H or open	open	H	H	H	L
PD	PU	X	X	X	L	Z	Z
PU	PD	X	X	X	L	Z	Z
PD	PD	X	X	X	L	Z	Z
X	X	L	X	X	L	Z	Z

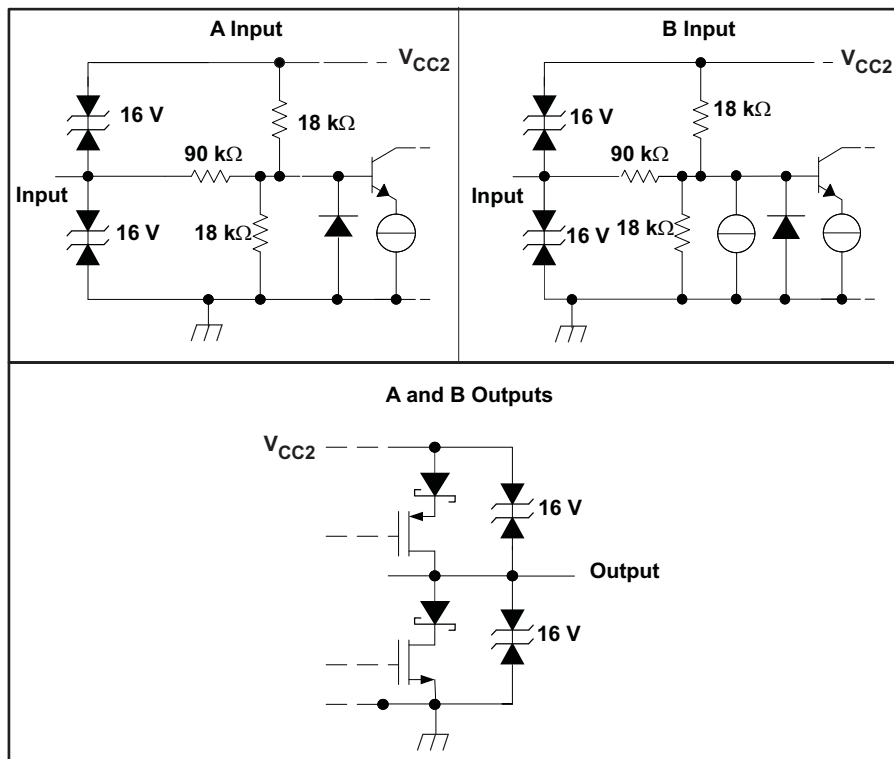
H = high level, L= low level, X = don't care, Z = high impedance (off), ? = indeterminate

RECEIVER FUNCTION TABLE

V _{CC1}	V _{CC2}	POWER VALID (PV) (ISO1176)	DIFFERENTIAL INPUT V _{ID} = (V _A – V _B)	ENABLE (\overline{RE})	OUTPUT (®)
PU	PU	H or open	$-0.01\text{ V} \leq V_{ID}$	L	H
PU	PU	H or open	$-0.2\text{ V} < V_{ID} < -0.01\text{ V}$	L	?
PU	PU	H or open	$V_{ID} \leq -0.2\text{ V}$	L	L
PU	PU	H or open	X	H	Z
PU	PU	H or open	X	open	Z
PU	PU	H or open	Open circuit	L	H
PU	PU	H or open	Short Circuit	L	H
PU	PU	H or open	Idle (terminated) bus	L	H
PD	PU	X	X	X	Z
PU	PD	H or open	X	L	H
PD	PD	X	X	X	Z
X	X	L	X	X	Z

H = high level, L= low level, X = don't care, Z = high impedance (off), ? = indeterminate

EQUIVALENT CIRCUIT SCHEMATICS




IEC SAFETY LIMITING VALUES

Safety limiting intends to prevent potential damage to the isolation barrier upon failure of input or output circuitry. A Failure of the IO can allow low resistance to ground or the supply and, without current limiting, dissipate sufficient power to overheat the die and damage the isolation barrier potentially leading to secondary system failures.

PARAMETER		TEST CONDITIONS		MIN	TYP	MAX	UNIT
I_S	Safety input, output, or supply current	DW-16	$\theta_{JA} = 212^\circ\text{C/W}$, $V_I = 5.5\text{ V}$, $T_J = 170^\circ\text{C}$, $T_A = 25^\circ\text{C}$			128	mA
T_S	Maximum case temperature	DW-16				150	$^\circ\text{C}$

The safety-limiting constraint is the absolute maximum junction temperature specified in the absolute maximum ratings table. The power dissipation and junction-to-air thermal impedance of the device installed in the application hardware determines the junction temperature. The assumed junction-to-air thermal resistance in the Thermal Characteristics table is that of a device installed in the JESD51-3, Low Effective Thermal Conductivity Test Board for Leadless Surface Mount Packages and is conservative. The power is the recommended maximum input voltage times the current. The junction temperature is then the ambient temperature plus the power times the junction-to-air thermal resistance.

THERMAL CHARACTERISTICS

over recommended operating conditions (unless otherwise noted)

PARAMETER		TEST CONDITIONS	MIN	TYP	MAX	UNIT
θ_{JA}	Junction-to-air	Low-K thermal resistance ⁽¹⁾		168		°C/W
		High-K board ⁽¹⁾		96.1		
θ_{JB}	Junction-to-board thermal resistance			61		°C/W
θ_{JC}	Junction-to-case thermal resistance			48		°C/W
P_D	Device power dissipation	$V_{CC1} = V_{CC2} = 5.25\text{ V}$, $T_J = 150^\circ\text{C}$, $C_L = 15\text{ pF}$, Input a 20 MHz 50% duty cycle square wave			220	mW

(1) Tested in accordance with the Low-K or High-K thermal metric definitions of EIA/JESD51-3 for leaded surface mount packages.

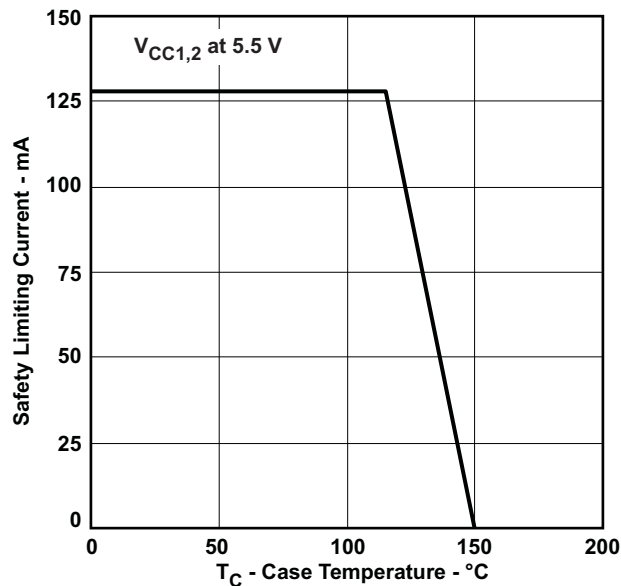


Figure 28. DW-16 θ_{JC} Thermal Derating Curve per IEC 60747-5-2

PACKAGE CHARACTERISTICS

over operating free-air temperature range (unless otherwise noted)

PARAMETER		TEST CONDITIONS	MIN	TYP	MAX	UNIT
L(I01)	Minimum air gap (Clearance)	Shortest terminal to terminal distance through air	8.34			mm
L(I02)	Minimum external tracking (Creepage) ⁽¹⁾	Shortest terminal to terminal distance across the package surface	8.1			mm
CTI	Tracking resistance (Comparative Tracking Index)	DIN IEC 60112 / VDE 0303 Part 1	≥ 175			V
	Minimum Internal Gap (Internal Clearance)	Distance through the insulation	0.008			mm
R_{IO}	Isolation resistance	Input to output, $V_{IO} = 500\text{ V}$, all pins on each side of the barrier tied together creating a two-terminal device		$>10^{12}$		Ω
C_{IO}	Barrier capacitance Input to output	$V_I = 0.4 \sin(4E6\pi t)$		2		pF
C_I	Input capacitance to ground	$V_I = 0.4 \sin(4E6\pi t)$		2		pF

(1) Creepage and clearance requirements should be applied according to the specific equipment isolation standards of an application. Care should be taken to maintain the creepage and clearance distance of a board design to ensure that the mounting pads of the isolator on the printed circuit board do not reduce this distance.

Creepage and clearance on a printed circuit board become equal according to the measurement techniques shown in the Isolation Glossary. Techniques such as inserting grooves and/or ribs on a printed circuit board are used to help increase these specifications.

REGULATORY INFORMATION

VDE	CSA	UL
Certified according to IEC 60747-5-2	Approved under CSA Component Acceptance Notice	Recognized under 1577 Component Recognition Program ⁽¹⁾
File Number: 40014131	File Number: 1698195	File Number: E181974

(1) Production tested ≥ 3000 Vrms for 1 second in accordance with UL 1577.

IEC 60554-1 RATINGS TABLE

PARAMETER	TEST CONDITIONS	SPECIFICATION
Basic isolation group	Material group	IIIa
Installation classification	Rated mains voltage < 150 VRMS	I-IV
	Rated mains voltage < 300 VRMS	I-III
	Rated mains voltage < 400 VRMS	I-II

IEC 60747-5-2 INSULATION CHARACTERISTICS

over recommended operating conditions (unless otherwise noted)

PARAMETER		TEST CONDITIONS	SPECIFICATION	UNIT
V_{IORM}	Maximum working insulation voltage		560	V
V_{PR}	Input to output test voltage	Method b1, $V_{PR} = V_{IORM} \times 1.875$, 100% Production test with $t = 1$ s, Partial discharge <5 pC	1050	V
V_{IOTM}	Transient overvoltage	$t = 60$ s	4000	V
R_S	Insulation resistance	$V_{IO} = 500$ V at T_S	$>10^9$	Ω
	Pollution degree		2	

APPLICATION INFORMATION

Transient Voltages

Isolating of a circuit insulates it from other circuits and earth, so that noise voltage develops across the insulation rather than circuit components. The most common noise threat to data-line circuits is voltage surges or electrical fast transients that occur after installation. The transient ratings of the ISO1176 standard are sufficient for all but the most severe installations. However, some equipment manufacturers use ESD generators to test equipment transient susceptibility. This practice can exceed insulation ratings. ESD generators simulate static discharges that may occur during device or equipment handling with low-energy but high-voltage transients.

Figure 29 models the ISO1176 bus IO connected to a noise generator. C_{IN} and R_{IN} is the device, and any other stray or added capacitance or resistance across the A or B pin to GND2. C_{ISO} and R_{ISO} is the capacitance and resistance between GND1 and GND2 of the ISO1176, plus those of any other insulation (transformer, etc.). Stray inductance is assumed to be negligible.

From this model, the voltage at the isolated bus return is

$$V_{GND2} = V_N \frac{Z_{ISO}}{Z_{ISO} + Z_{IN}} \quad (1)$$

and is always less than 16 V from V_N . If the ISO1176 is tested as a stand-alone device,

- $R_{IN} = 6 \times 10^4 \Omega$,
- $C_{IN} = 16 \times 10^{-12} \text{ F}$,
- $R_{ISO} = 10^9 \Omega$ and
- $C_{ISO} = 10^{-12} \text{ F}$.

Notice from Figure 29 that the resistor ratio determines the voltage ratio at low frequencies, and that the inverse capacitance ratio determines the voltage ratio at high frequencies. In the stand-alone case and for low frequencies,

$$\frac{V_{GND2}}{V_N} = \frac{R_{ISO}}{R_{ISO} + R_{IN}} = \frac{10^9}{10^9 + 6 \times 10^4} \quad (2)$$

or essentially all of the noise appears across the barrier.

At high frequencies,

$$\frac{V_{GND2}}{V_N} = \frac{\frac{1}{C_{ISO}}}{\frac{1}{C_{ISO}} + \frac{1}{C_{IN}}} = \frac{1}{1 + \frac{C_{ISO}}{C_{IN}}} = \frac{1}{1 + \frac{1}{16}} = 0.94 \quad (3)$$

and 94% of V_N appears across the barrier. As long as R_{ISO} is greater than R_{IN} and C_{ISO} is less than C_{IN} , most of the transient noise appears across the isolation barrier, as it should.

Using ESD generators to test equipment transient susceptibility, or considering product claims of ESD ratings above the barrier transient ratings of an isolated interface is not recommended. ESD is best managed through recessing or covering connector pins in a conductive connector shell, and by proper installer training.

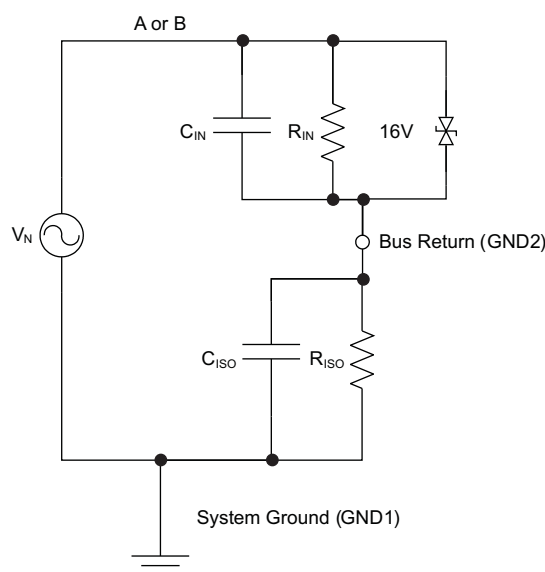


Figure 29. Device Model For Static Discharge Testing

ISO1176 “Sticky Bit” Issue (Under Certain Conditions)

Summary: In applications with sufficient differential noise on the bus, the output of the ISO1176 receiver may “stick” at an incorrect state for up to 30 μ s.

Description: The ISO1176 isolated Profibus (RS-485) transceiver is rated for signaling up to 40 Mbps on twisted-pair bus lines. The receiver thresholds comply with RS-485 and Profibus specifications; an input differential voltage $V_{ID} = V_A - V_B > 200$ mV causes a logic High on the R output, and $V_{ID} < -200$ mV causes a logic Low on the R output. To assure a known receiver output when the bus is shorted or idle, the upper threshold is set below zero, such that $V_{ID} = 0$ mV causes a logic High on the R output. The data sheet specifies a typical upper threshold (V_{IT+}) of -80 mV and a typical lower threshold (V_{IT-}) of -120 mV.

At a signaling rate of 40 Mbps, each valid data bit has a duration of 25 ns. At typical Profibus signaling rates of 12 Mbps or lower, each valid data bit has a duration of 83 ns or more. The ISO1176 correctly sets the R output for each of these valid data bits.

In applications with a high degree of differential noise on the bus lines, it is possible to get short periods when an invalid bus voltage triggers a change in state of the internal receiver circuits. An issue with the digital isolation channel in the ISO1176 may cause the invalid receiver state to “stick” rather than immediately transition back to the correct state. The receiver output will always transition to the correct state, but may stick in the incorrect state for up to 30 μ s. This can cause a temporary loss of data.

Figure 30 shows two cases which could result in temporary loss of data.

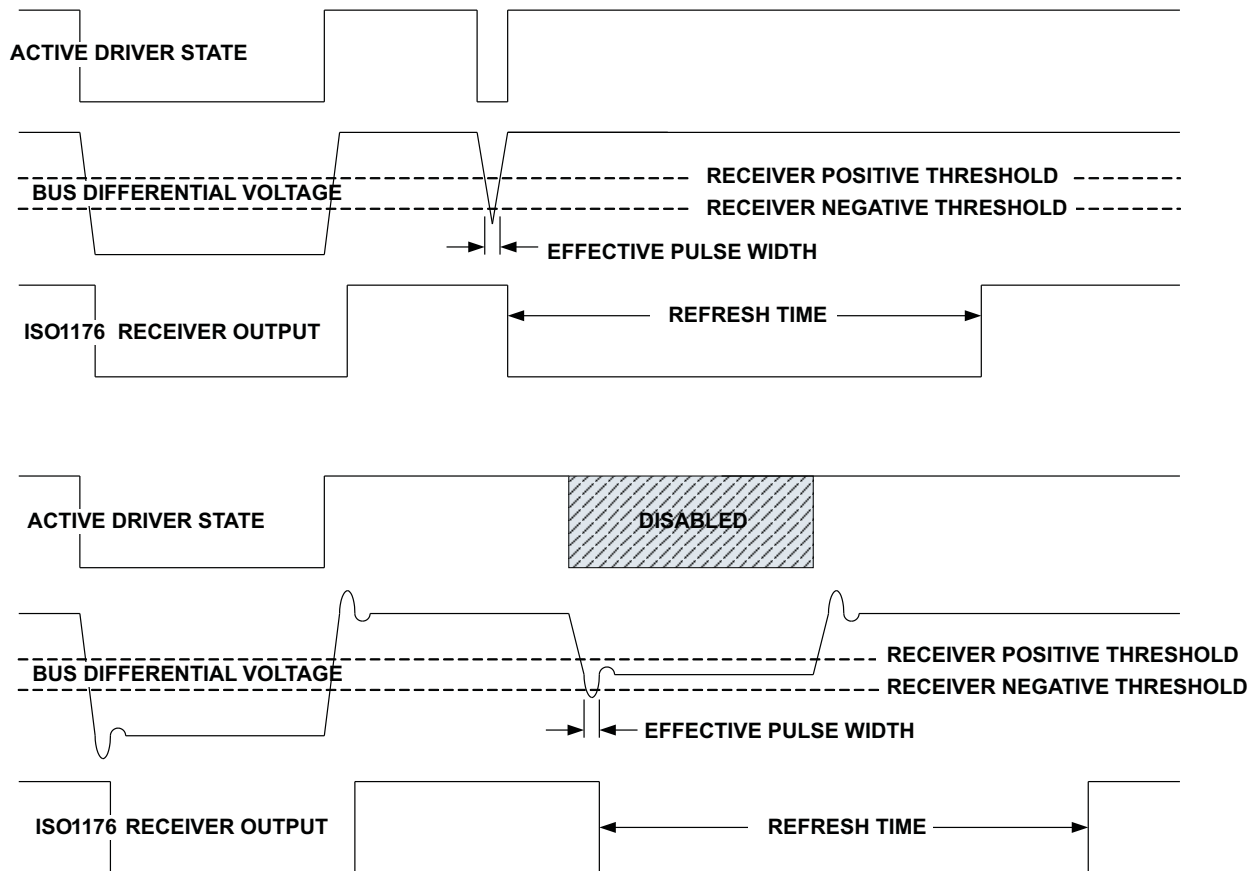


Figure 30.

REVISION HISTORY

Changes from Original (March 2008) to Revision A	Page
• Added the Bus-Pin ESD Protection bullet and sub bullets to the Features List	1
• Added 3.3-V Inputs are 5-V Tolerant to the Features List	1
• Added Bus pins to GND1 and Bus pins to GND2 to the ESD information of the Abs Max Ratings table	2
• Added the APPLICATION INFORMATION section	20
Changes from Revision A (May 2008) to Revision B	Page
• Changed L(IO1), Minimum air gap (Clearance) in the PACKAGE CHARACTERISTICS table From: MIN = 7.7mm To: 8.34mm.	18
Changes from Revision B (June 2008) to Revision C	Page
• Changed the text in the second paragraph of the DESCRIPTON From: whenever the driver is disabled or $V_{CC2} = 0$ To: allowing up to 160 nodes.	1
Changes from Revision C (October 2008) to Revision D	Page
• Added 560-Vpeak V_{IORM} to the first Features List	1
• Added UL 1577, IEC 60747-5-2 (VDE 0884, Rev. 2), to the Features List	1
• Added Input pulse width MIN = 10 ns to the RECOMMENDED OPERATING CONDITIONS table	2
• Added the CSA column to the Regulatory Information table	19
• Changed the ISO1176 “Sticky Bit” Issue section	21

PACKAGING INFORMATION

Orderable Device	Status ⁽¹⁾	Package Type	Package Drawing	Pins	Package Qty	Eco Plan ⁽²⁾	Lead/Ball Finish	MSL Peak Temp ⁽³⁾
ISO1176DW	ACTIVE	SOIC	DW	16	40	Green (RoHS & no Sb/Br)	Call TI	Level-2-260C-1 YEAR
ISO1176DWG4	ACTIVE	SOIC	DW	16	40	Green (RoHS & no Sb/Br)	Call TI	Level-2-260C-1 YEAR
ISO1176DWR	ACTIVE	SOIC	DW	16	2000	Green (RoHS & no Sb/Br)	Call TI	Level-2-260C-1 YEAR
ISO1176DWRG4	ACTIVE	SOIC	DW	16	2000	Green (RoHS & no Sb/Br)	Call TI	Level-2-260C-1 YEAR

⁽¹⁾ The marketing status values are defined as follows:

ACTIVE: Product device recommended for new designs.

LIFEBUY: TI has announced that the device will be discontinued, and a lifetime-buy period is in effect.

NRND: Not recommended for new designs. Device is in production to support existing customers, but TI does not recommend using this part in a new design.

PREVIEW: Device has been announced but is not in production. Samples may or may not be available.

OBSOLETE: TI has discontinued the production of the device.

⁽²⁾ Eco Plan - The planned eco-friendly classification: Pb-Free (RoHS), Pb-Free (RoHS Exempt), or Green (RoHS & no Sb/Br) - please check <http://www.ti.com/productcontent> for the latest availability information and additional product content details.

TBD: The Pb-Free/Green conversion plan has not been defined.

Pb-Free (RoHS): TI's terms "Lead-Free" or "Pb-Free" mean semiconductor products that are compatible with the current RoHS requirements for all 6 substances, including the requirement that lead not exceed 0.1% by weight in homogeneous materials. Where designed to be soldered at high temperatures, TI Pb-Free products are suitable for use in specified lead-free processes.

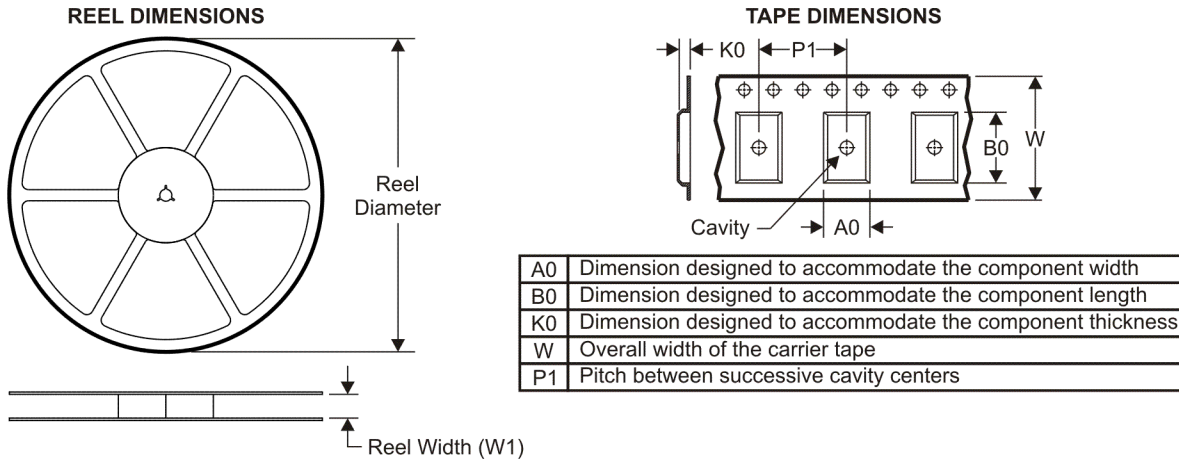
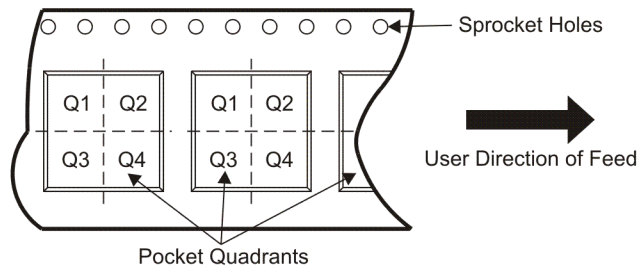
Pb-Free (RoHS Exempt): This component has a RoHS exemption for either 1) lead-based flip-chip solder bumps used between the die and package, or 2) lead-based die adhesive used between the die and leadframe. The component is otherwise considered Pb-Free (RoHS compatible) as defined above.

Green (RoHS & no Sb/Br): TI defines "Green" to mean Pb-Free (RoHS compatible), and free of Bromine (Br) and Antimony (Sb) based flame retardants (Br or Sb do not exceed 0.1% by weight in homogeneous material)

⁽³⁾ MSL, Peak Temp. -- The Moisture Sensitivity Level rating according to the JEDEC industry standard classifications, and peak solder temperature.

Important Information and Disclaimer:The information provided on this page represents TI's knowledge and belief as of the date that it is provided. TI bases its knowledge and belief on information provided by third parties, and makes no representation or warranty as to the accuracy of such information. Efforts are underway to better integrate information from third parties. TI has taken and continues to take reasonable steps to provide representative and accurate information but may not have conducted destructive testing or chemical analysis on incoming materials and chemicals. TI and TI suppliers consider certain information to be proprietary, and thus CAS numbers and other limited information may not be available for release.

In no event shall TI's liability arising out of such information exceed the total purchase price of the TI part(s) at issue in this document sold by TI to Customer on an annual basis.

TAPE AND REEL INFORMATION

QUADRANT ASSIGNMENTS FOR PIN 1 ORIENTATION IN TAPE


*All dimensions are nominal

Device	Package Type	Package Drawing	Pins	SPQ	Reel Diameter (mm)	Reel Width W1 (mm)	A0 (mm)	B0 (mm)	K0 (mm)	P1 (mm)	W (mm)	Pin1 Quadrant
ISO1176DWR	SOIC	DW	16	2000	330.0	16.4	10.75	10.7	2.7	12.0	16.0	Q1

TAPE AND REEL BOX DIMENSIONS

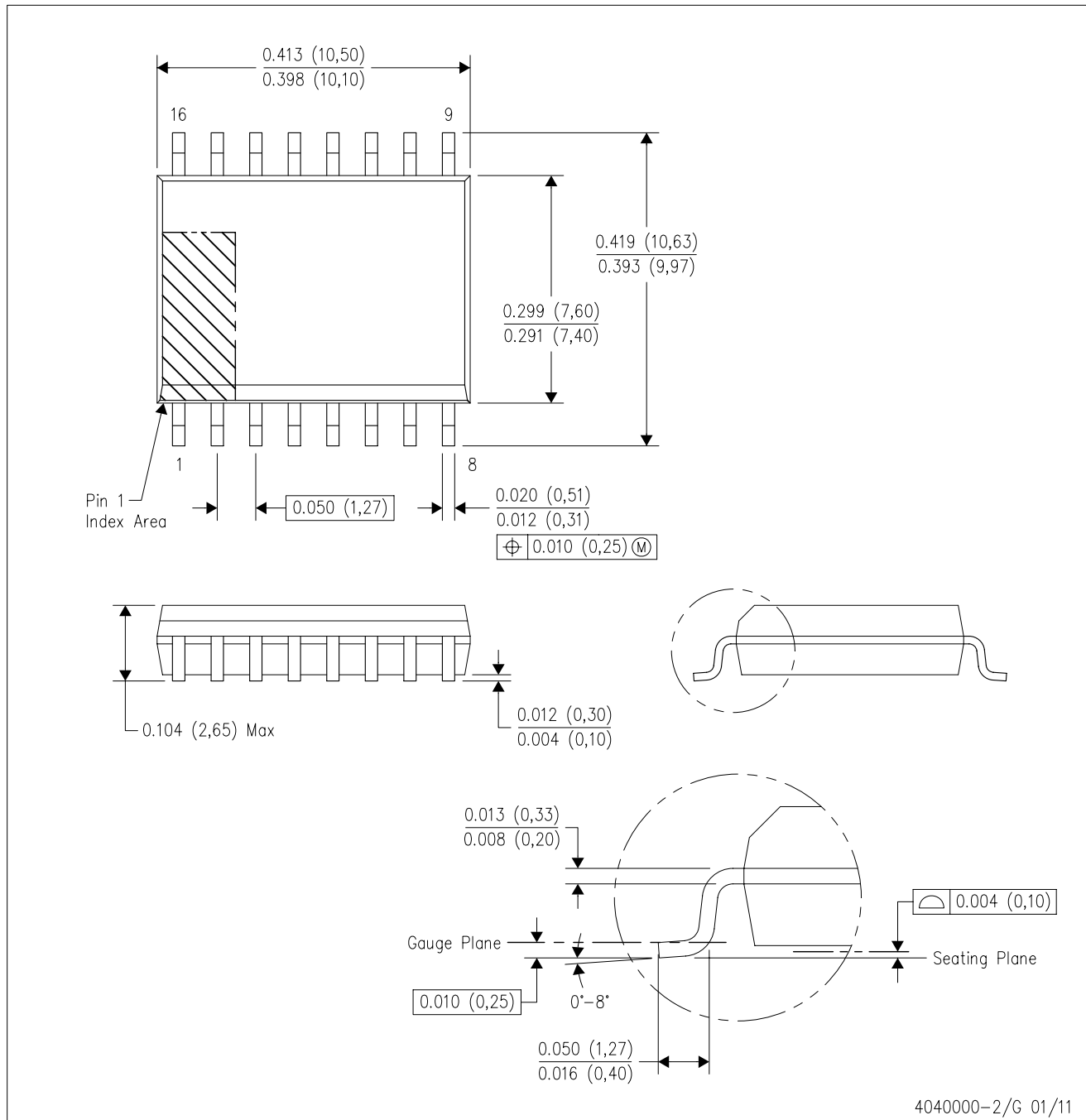


*All dimensions are nominal

Device	Package Type	Package Drawing	Pins	SPQ	Length (mm)	Width (mm)	Height (mm)
ISO1176DWR	SOIC	DW	16	2000	358.0	335.0	35.0

DW (R-PDSO-G16)

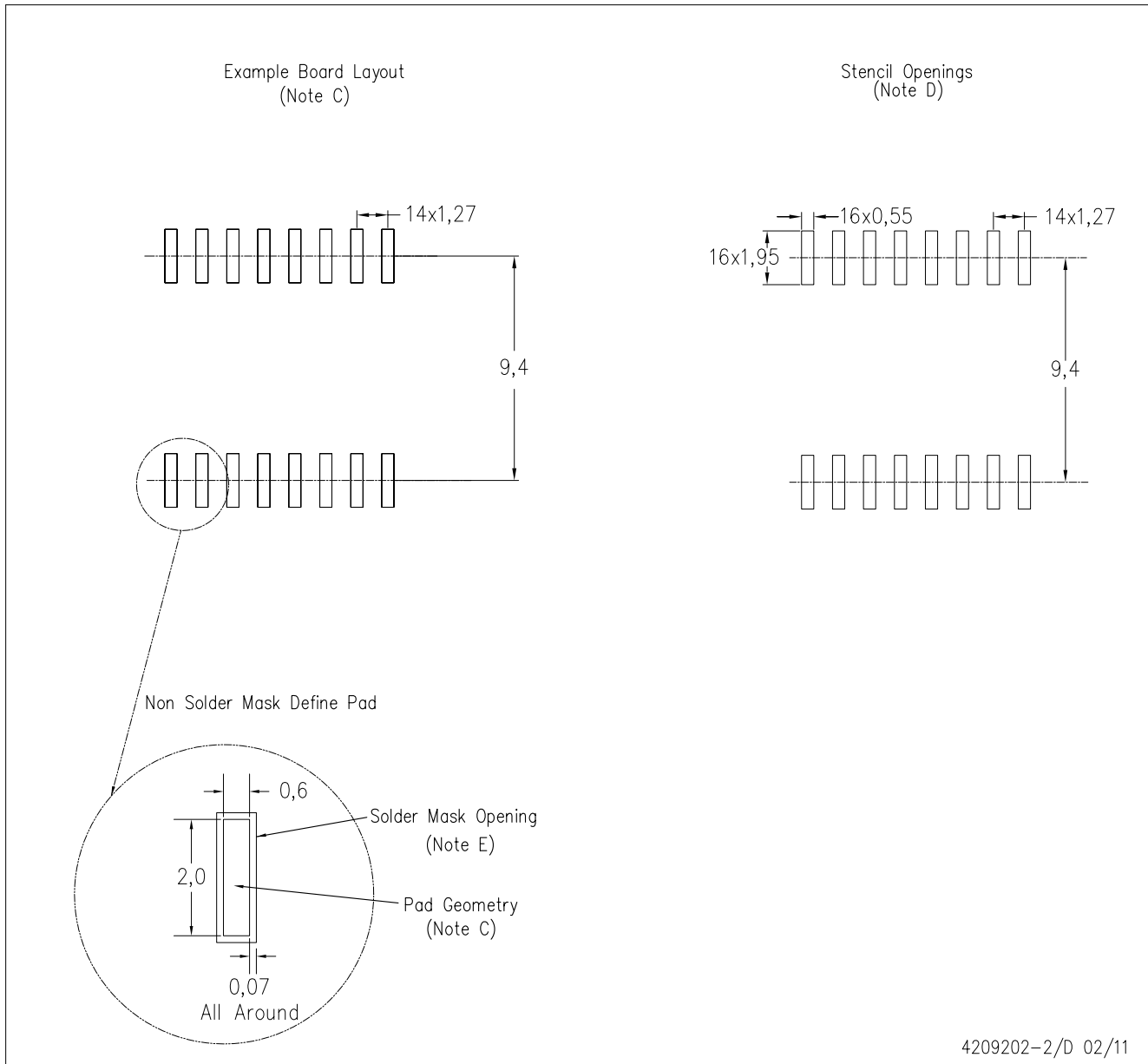
PLASTIC SMALL OUTLINE



- NOTES:
- A. All linear dimensions are in inches (millimeters). Dimensioning and tolerancing per ASME Y14.5M-1994.
 - B. This drawing is subject to change without notice.
 - C. Body dimensions do not include mold flash or protrusion not to exceed 0.006 (0,15).
 - D. Falls within JEDEC MS-013 variation AA.

DW (R-PDSO-G16)

PLASTIC SMALL OUTLINE



4209202-2/D 02/11

- NOTES:
- A. All linear dimensions are in millimeters.
 - B. This drawing is subject to change without notice.
 - C. Refer to IPC7351 for alternate board design.
 - D. Laser cutting apertures with trapezoidal walls and also rounding corners will offer better paste release. Customers should contact their board assembly site for stencil design recommendations. Refer to IPC-7525
 - E. Customers should contact their board fabrication site for solder mask tolerances between and around signal pads.

IMPORTANT NOTICE

Texas Instruments Incorporated and its subsidiaries (TI) reserve the right to make corrections, modifications, enhancements, improvements, and other changes to its products and services at any time and to discontinue any product or service without notice. Customers should obtain the latest relevant information before placing orders and should verify that such information is current and complete. All products are sold subject to TI's terms and conditions of sale supplied at the time of order acknowledgment.

TI warrants performance of its hardware products to the specifications applicable at the time of sale in accordance with TI's standard warranty. Testing and other quality control techniques are used to the extent TI deems necessary to support this warranty. Except where mandated by government requirements, testing of all parameters of each product is not necessarily performed.

TI assumes no liability for applications assistance or customer product design. Customers are responsible for their products and applications using TI components. To minimize the risks associated with customer products and applications, customers should provide adequate design and operating safeguards.

TI does not warrant or represent that any license, either express or implied, is granted under any TI patent right, copyright, mask work right, or other TI intellectual property right relating to any combination, machine, or process in which TI products or services are used. Information published by TI regarding third-party products or services does not constitute a license from TI to use such products or services or a warranty or endorsement thereof. Use of such information may require a license from a third party under the patents or other intellectual property of the third party, or a license from TI under the patents or other intellectual property of TI.

Reproduction of TI information in TI data books or data sheets is permissible only if reproduction is without alteration and is accompanied by all associated warranties, conditions, limitations, and notices. Reproduction of this information with alteration is an unfair and deceptive business practice. TI is not responsible or liable for such altered documentation. Information of third parties may be subject to additional restrictions.

Resale of TI products or services with statements different from or beyond the parameters stated by TI for that product or service voids all express and any implied warranties for the associated TI product or service and is an unfair and deceptive business practice. TI is not responsible or liable for any such statements.

TI products are not authorized for use in safety-critical applications (such as life support) where a failure of the TI product would reasonably be expected to cause severe personal injury or death, unless officers of the parties have executed an agreement specifically governing such use. Buyers represent that they have all necessary expertise in the safety and regulatory ramifications of their applications, and acknowledge and agree that they are solely responsible for all legal, regulatory and safety-related requirements concerning their products and any use of TI products in such safety-critical applications, notwithstanding any applications-related information or support that may be provided by TI. Further, Buyers must fully indemnify TI and its representatives against any damages arising out of the use of TI products in such safety-critical applications.

TI products are neither designed nor intended for use in military/aerospace applications or environments unless the TI products are specifically designated by TI as military-grade or "enhanced plastic." Only products designated by TI as military-grade meet military specifications. Buyers acknowledge and agree that any such use of TI products which TI has not designated as military-grade is solely at the Buyer's risk, and that they are solely responsible for compliance with all legal and regulatory requirements in connection with such use.

TI products are neither designed nor intended for use in automotive applications or environments unless the specific TI products are designated by TI as compliant with ISO/TS 16949 requirements. Buyers acknowledge and agree that, if they use any non-designated products in automotive applications, TI will not be responsible for any failure to meet such requirements.

Following are URLs where you can obtain information on other Texas Instruments products and application solutions:

Products

Audio	www.ti.com/audio
Amplifiers	amplifier.ti.com
Data Converters	dataconverter.ti.com
DLP® Products	www.dlp.com
DSP	dsp.ti.com
Clocks and Timers	www.ti.com/clocks
Interface	interface.ti.com
Logic	logic.ti.com
Power Mgmt	power.ti.com
Microcontrollers	microcontroller.ti.com
RFID	www.ti-rfid.com
RF/IF and ZigBee® Solutions	www.ti.com/lprf

Applications

Communications and Telecom	www.ti.com/communications
Computers and Peripherals	www.ti.com/computers
Consumer Electronics	www.ti.com/consumer-apps
Energy and Lighting	www.ti.com/energy
Industrial	www.ti.com/industrial
Medical	www.ti.com/medical
Security	www.ti.com/security
Space, Avionics and Defense	www.ti.com/space-avionics-defense
Transportation and Automotive	www.ti.com/automotive
Video and Imaging	www.ti.com/video
Wireless	www.ti.com/wireless-apps

TI E2E Community Home Page

e2e.ti.com

Mailing Address: Texas Instruments, Post Office Box 655303, Dallas, Texas 75265
Copyright © 2011, Texas Instruments Incorporated