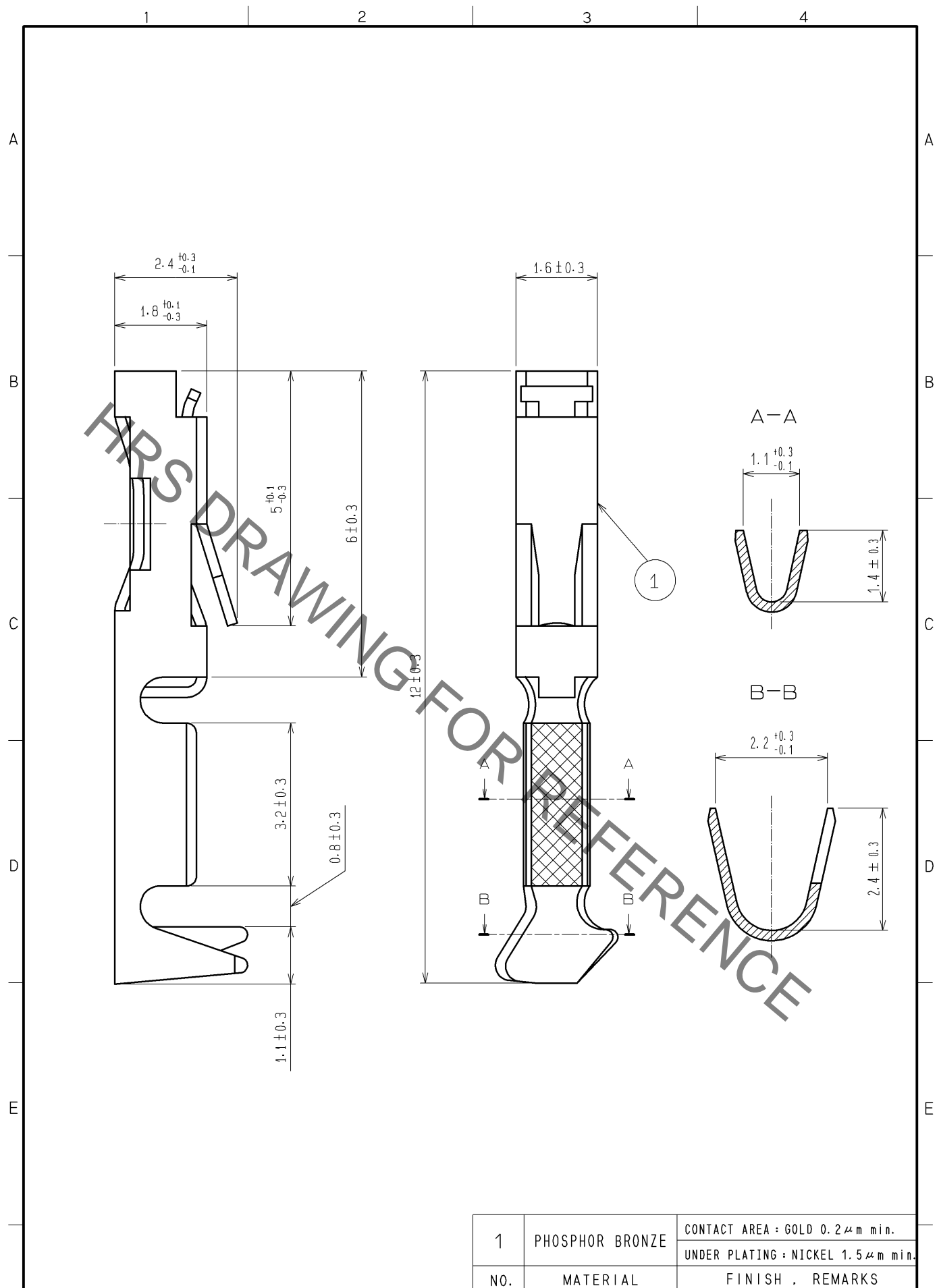


Sep.1.2020 Copyright 2020 HIROSE ELECTRIC CO., LTD. All Rights Reserved.
 In case of consideration for using Automotive equipment / device which demand high reliability, kindly contact our sales window correspondents.



1	PHOSPHOR BRONZE	CONTACT AREA : GOLD 0.2 μm min.
		UNDER PLATING : NICKEL 1.5 μm min.
NO.	MATERIAL	FINISH , REMARKS

UNITS mm		SCALE 10 : 1	COUNT 	DESCRIPTION OF REVISIONS	DESIGNED	CHECKED	DATE
HIROSE ELECTRIC CO., LTD.		APPROVED : HS. OKAWA 12.12.20		DRAWING NO. EDC4-016842-02			
		CHECKED : HT. YAMAGUCHI 12.12.20		PART NO. HIF3-2226SCA			
		DESIGNED : KJ. NISHIWAKI 12.12.19		CODE NO. CL562-0244-2-00			
		DRAWN : CR. TAKESHIMA 12.12.19					1/1