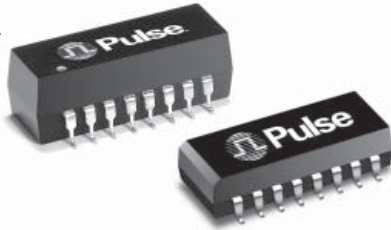





10/100 BASE-T SINGLE PORT TRANSFORMER MODULES

With 1:1 Transmit Turns Ratios



-  RoHS peak reflow temperature rating: 245°C
-  Compatible with Broadcom, Intel, Micrel, National Semiconductor, ICS, and TDK Transceivers
-  Meets IEEE 802.3 specification

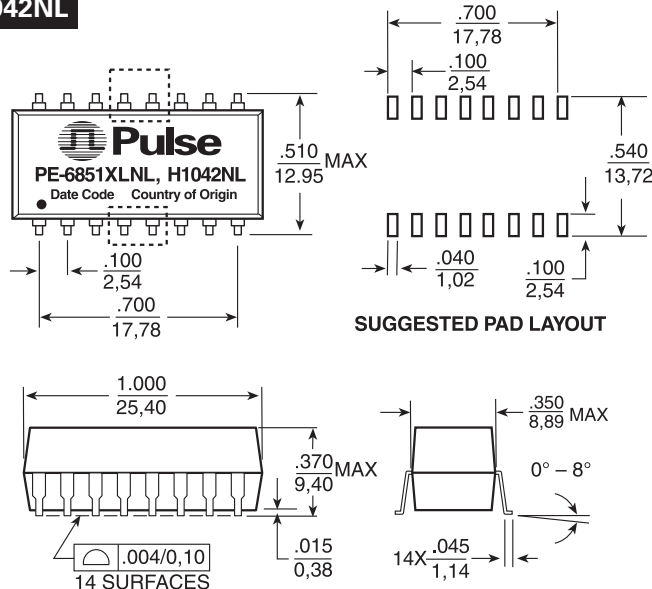
Electrical Specifications @ 25°C — Operating Temperature 0°C to 70°C

| RoHS Compliant Part Number | Insertion Loss (dB MAX) | Return Loss (dB MIN @ 100 Ω) | | | | Differential to Common Mode Rejection (dB MIN) | | | Crosstalk (dB TYP) | | | Hipot (Vrms MIN) |
|----------------------------|-------------------------|------------------------------|----------|--------|--------|--|--------|--------|--------------------|--------|--------|------------------|
| | | 0.1-100 MHz | 1-30 MHz | 40 MHz | 50 MHz | 60-80 MHz | 30 MHz | 60 MHz | 100 MHz | 30 MHz | 60 MHz | |
| H1012NL ^{4d} | -1.0 | -20 | -20 | -18 | -14 | -42 | -36 | -33 | -50 | -40 | -40 | 1500 |
| H1019NL ^{4c} | -1.0 | -20 | -18 | -18 | -14 | -45 | -40 | -35 | -45 | -40 | -35 | 1500 |
| H1042NL ^{4c} | -1.0 | -16 | -13.5 | -11.5 | -10 | -45 | -40 | -35 | -40 | -38 | -35 | 1500 |
| H1086NL ^{4c} | -1.0 | -22 | -20 | -18 | -12 | -45 | -40 | -35 | -50 | -40 | -40 | 1500 |
| H1089NL ^{4c} | -1.0 | -22 | -20 | -18 | -12 | -42 | -38 | -32 | -50 | -40 | -40 | 1500 |
| H1138NL ^{4a} | -0.8 | -18 | -16 | -14 | -12 | -42 | -37 | -33 | -50 | -40 | -40 | 1500 |
| HX1148NL ^{2,4d} | -1.5 | -18 | -13.5 | -11.5 | -10 | -42 | -37 | -33 | -50 | -40 | -40 | 1500 |
| HX1178NL ^{2,4d} | -1.5 | -18 | -13.5 | -11.5 | -10 | -42 | -37 | -33 | -50 | -40 | -40 | 1500 |
| PE-68515LNL ^{4d} | -1.0 | -18 | -18 | -16 | -12 | -50 | -45 | -40 | -55 | -50 | -50 | 1500 |
| PE-68517LNL ^{4d} | -1.0 | -18 | -16 | -15 | -12 | -45 | -40 | -35 | -50 | -40 | -40 | 1500 |
| H1338NL ^{4a} | -1.1 | -18 | -16 | -14 | -12 | -42 | -37 | -35 | -40 | -40 | -35 | 1500 |

- Rise time optimized for National's DP83843.
- Operating temperature: -40°+ 85°C.
- When ordering Tape & Reel packaging, add a "T" suffix to the end of the part number, e.g. H1012NLT
- MSL = Moisture Sensitivity Level: a = 1, b = 2, c = 3, d = 4.

Mechanical

PE-68515LNL, PE-68517LNL, H1042NL



Weight 3.5 grams
 Tube 20/tube
 Tape & Reel 160/reel

10/100 BASE-T SINGLE PORT TRANSFORMER MODULES

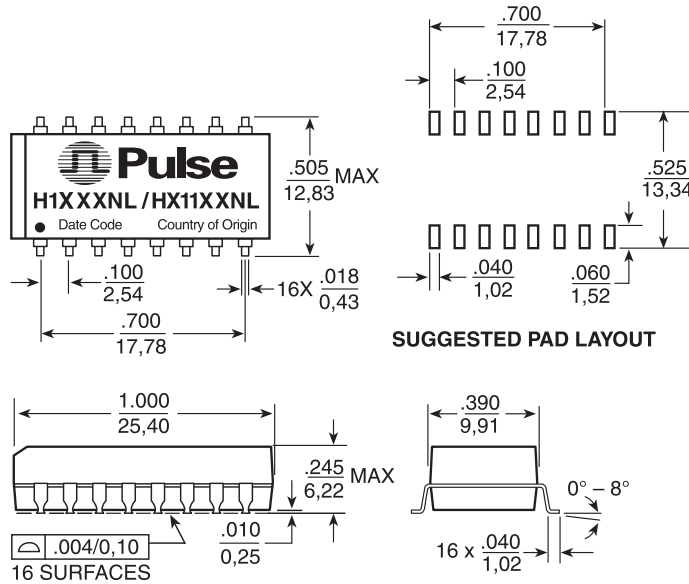
With 1:1 Transmit Turns Ratios



Mechanicals (continued)

H1012NL, H1019NL, H1086NL, H1089NL, H1138NL

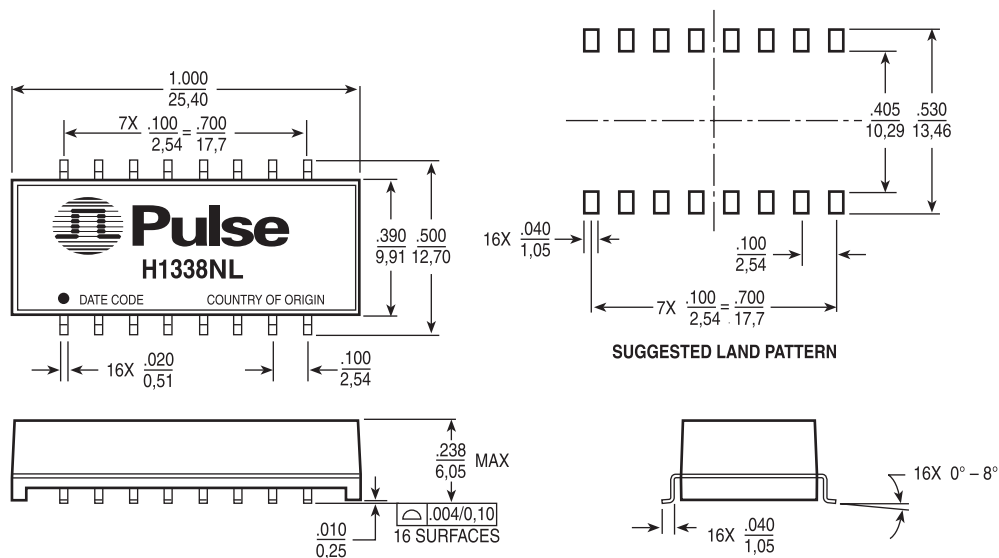
HX1148NL, HX1178NL



Dimensions: $\frac{\text{Inches}}{\text{mm}}$ Unless otherwise specified, all tolerances are $\pm \frac{.010}{0,25}$

Weight 3.0 grams
Tube 20/tube
Tape & Reel 300/reel

H1338NL



Dimensions: $\frac{\text{Inches}}{\text{mm}}$ Unless otherwise specified, all tolerances are $\pm \frac{.010}{0,25}$

Weight 3.0 grams
Tube 20/tube
Tape & Reel 300/reel

10/100 BASE-T SINGLE PORT TRANSFORMER MODULES

With 1:1 Transmit Turns Ratios

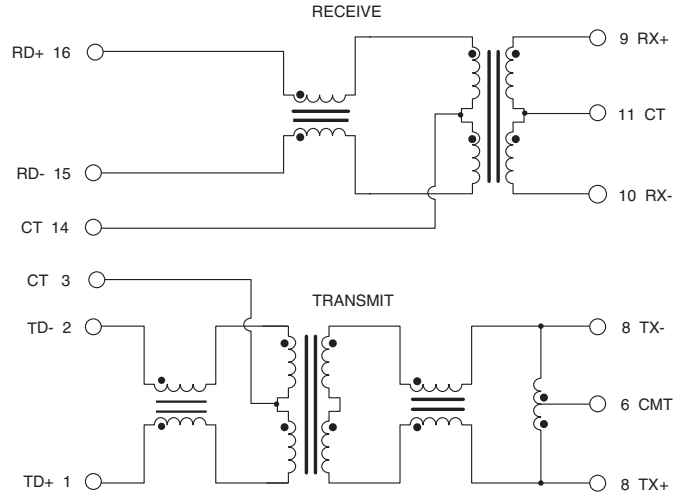
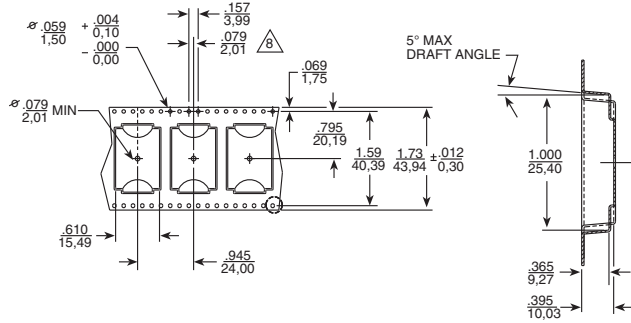


Schematics

PE-68515LNL, H1012NL, H1086NL, H1089NL

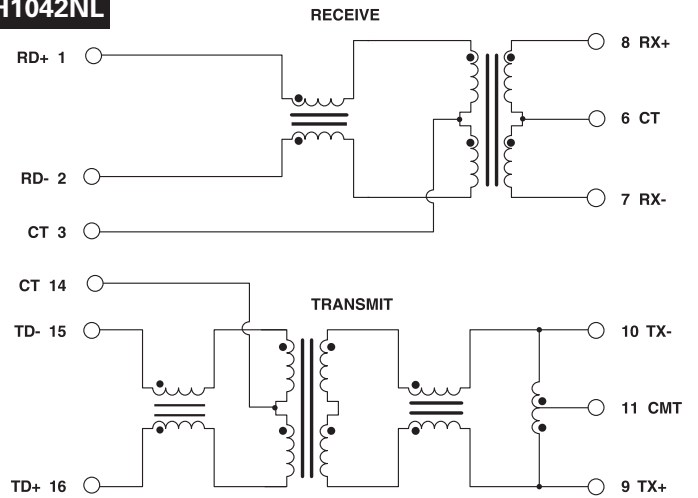
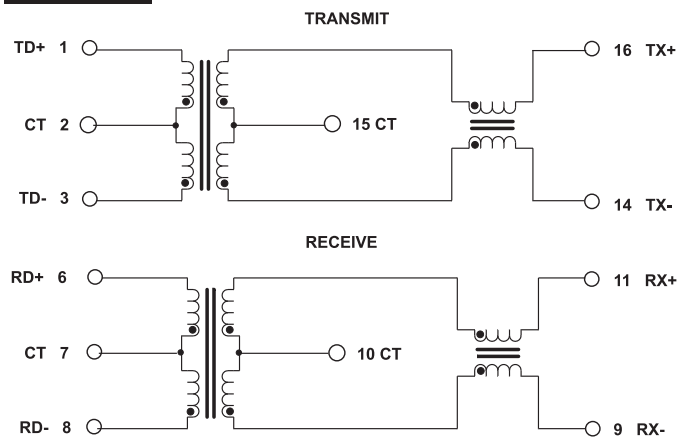
PE-68517LNL, H1019NL

HX1148NL, H1138NL

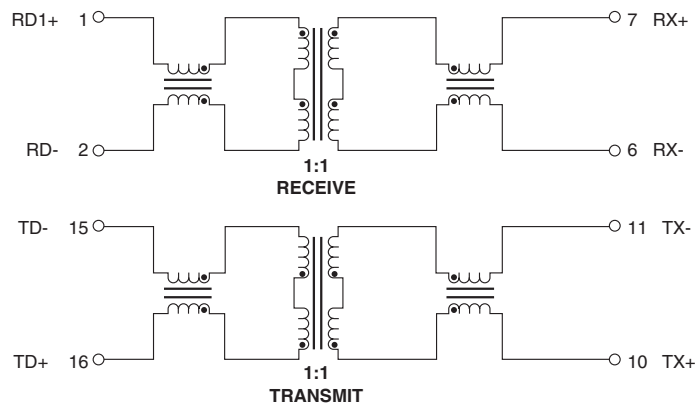


HX1178NL

H1042NL



H1338NL



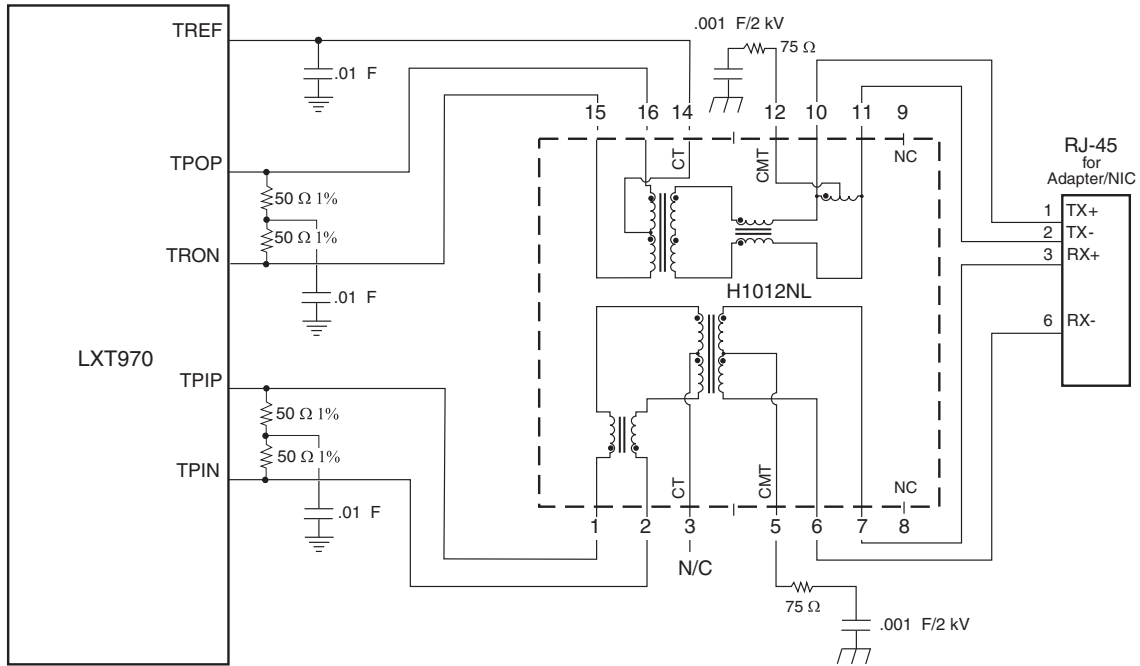
10/100 BASE-T SINGLE PORT TRANSFORMER MODULES

With 1:1 Transmit Turns Ratios

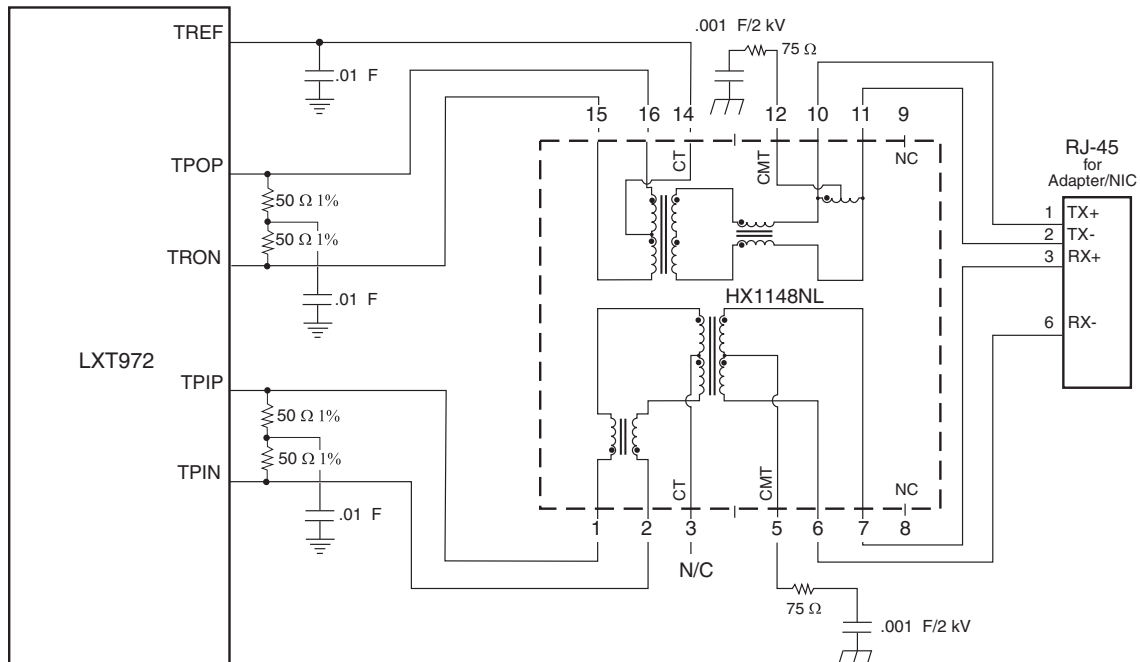


Typical Application Circuits

H1012NL, H1138NL



HX1148NL



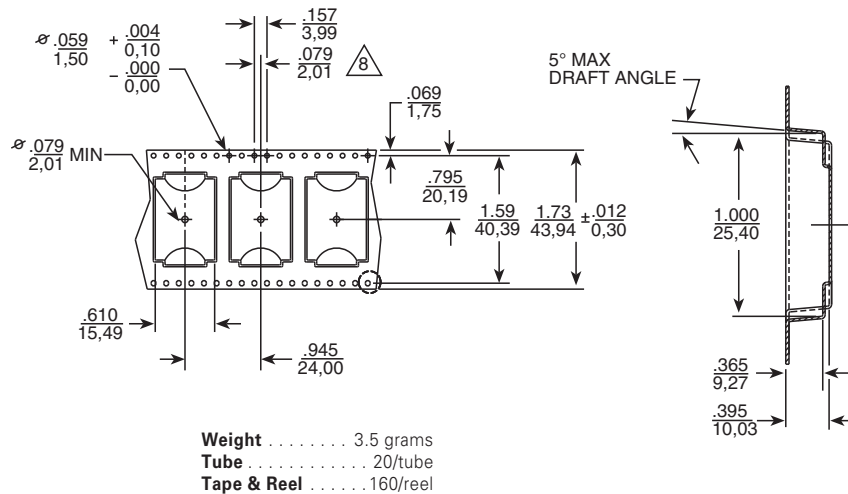
10/100 BASE-T SINGLE PORT TRANSFORMER MODULES

With 1:1 Transmit Turns Ratios



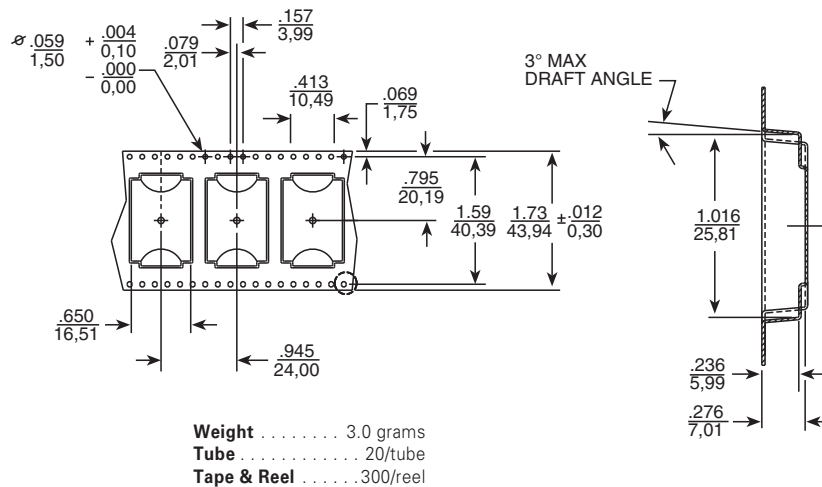
Tape & Reel Specifications

PE-68515LNL, PE-68517LNL, H1042NL



H1012NL, H1019NL, H1086NL, H1089NL, H1138NL,

H1338NL, HX1148NL, HX1178NL



For More Information:

| Pulse Worldwide Headquarters | Pulse Europe | Pulse China Headquarters | Pulse North China | Pulse South Asia | Pulse North Asia |
|--|--|--|--|---|---|
| 12220 World Trade Dr. San Diego, CA 92128 U.S.A. | Einsteinstrasse 1 D-71083 Herrenberg Germany | B402, Shenzhen Academy of Aerospace Technology Bldg. 10th Kejinan Rd. High-Tech Zone Nanshan District Shenzhen, PR China 518057 | Room 1503 XinYin Building No. 888 YiShan Rd. Shanghai 200233 China | 135 Joo Seng Rd. #03-02 PM Industrial Bldg. Singapore 368363 | No. 26, Kao Ching Rd. Yang Mei Chen Taoyuan Hsien Taiwan R. O. C. |
| www.pulseeng.com Tel: 858 674 8100 Fax: 858 674 8262 | Tel: 49 7032 7806 0 Fax: 49 7032 7806 135 | TEL: 86 755 33966678 FAX: 86 755 33966700 | Tel: 86 21 54643211/2 Fax: 86 21 54643210 | TEL: 65 6287 8998 FAX: 65 6280 0080 | Tel: 886 3 4643715 Fax: 886 3 4641911 |

Performance warranty of products offered on this data sheet is limited to the parameters specified. Data is subject to change without notice. Other brand and product names mentioned herein may be trademarks or registered trademarks of their respective owners.

© Copyright, 2009. Pulse Engineering, Inc. All rights reserved.