

EM-3242 One-chip monolithic Rotation Angle Sensor

Preliminary Specification

These specifications are subject to change without notice

◆ Characteristics

Rotation Angle Sensor Device with Hall Element Inside

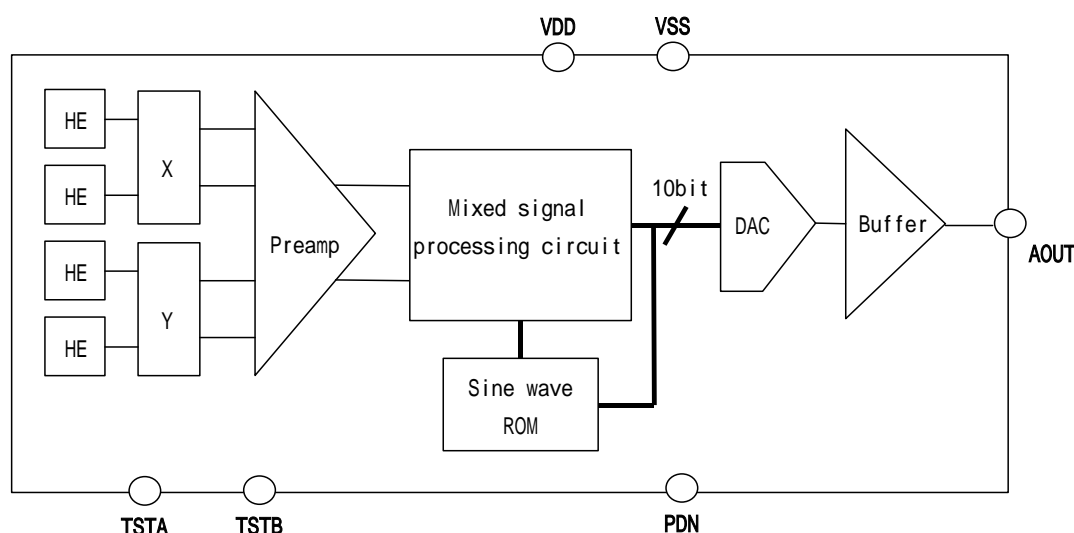
- Contact-less Angle Sensor function can be realized by small magnet and EM-3242
- Extremely small Temperature drift
- Super small package
- 3V single power supply



◆ Outline

EM3242 outputs analogue voltage proportionate to the angle, by the processing the Hall output which can be obtained from the plural Hall Elements formed on the silicon chip. Just by pairing the small magnet and EM3242, you can make up the contact-less angle sensor function which corresponds to 360degrees angle range. There are no particular restrictions on the magnet which fits together with EM-3242, and there is few change in the output voltage level or in the angle errors due to the temperature dependence of the magnet.

◆ Block Diagram



◆ Absolute Maximum Ratings

Symbol	Parameter	Min.	Max.	Unit	Notes
V_{DD}	Supply Voltage	-0.3	6.5	V	
V_{IN}	Input Voltage	0	$V_{DD} + 0.3$	V	PDN terminal
T_S	Storage Temperature Range	-55	125	°C	

◆ Recommended Operating Conditions

Symbol	Parameter	Min.	Typ.	Max.	Unit	Notes
V_{DD}	Supply Voltage	2.7	3.0	3.3	V	
T_A	Operating Temperature Range	-30		85	°C	

◆ Electrical & Magnetic Specifications

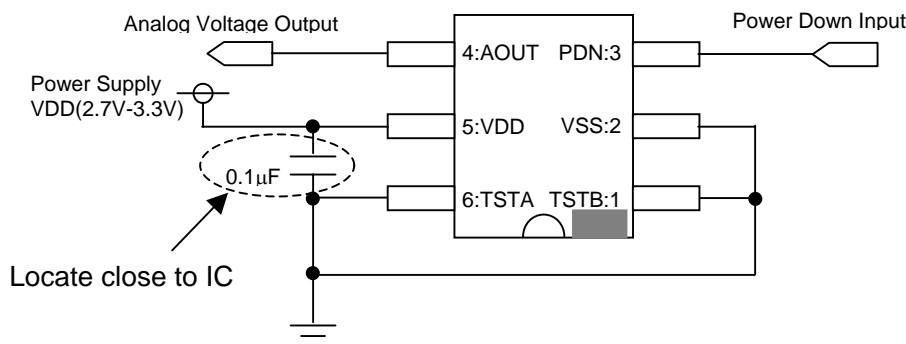
Condition is; $T_a=25$, $V_{DD}=3V$ if particular notes are not defined.

Symbol	Parameter	Min.	Typ.	Max.	Unit	Notes
B_{RANGE}	Detectable Magnetic Field Range	20	30	40	mT	
A_{RANGE}	Detectable angle range	0		360	Deg.	
A_{PREC}	Angle error	-6.0		6.0	Deg.	
A_{RES}	Angle resolution		0.36		Deg.	*2
A_{TD}	Angle temperature drift		± 1		Deg.	@-30 ~ 85°C*1
INL	INL of output voltage			TBD		*2
T_{OUT}	Angle output cycle		40		μs	A/D Conversion Cycle
T_d	Signal delay time		140	180	μs	*2
$V_{out(min.)}$	Minimum Output Voltage	$0.095V_{DD}$	$0.1V_{DD}$	$0.105V_{DD}$	V	@0 deg.
$V_{out(max.)}$	Maximum Output Voltage	$0.895V_{DD}$	$0.9V_{DD}$	$0.905V_{DD}$	V	@359.64 deg.
I_{SUP}	Consumption Current		8	12	mA	While driving Sensor
I_{PD}				1	μA	While Power Down
T_{PD}	Start up time		680	850	μs	PDN: L H
I_{OUT}	Output Current	-0.3		0.3	mA	
C_L	Load Capability			200	pF	*2

*1) Based on Ambient Temperature = 25

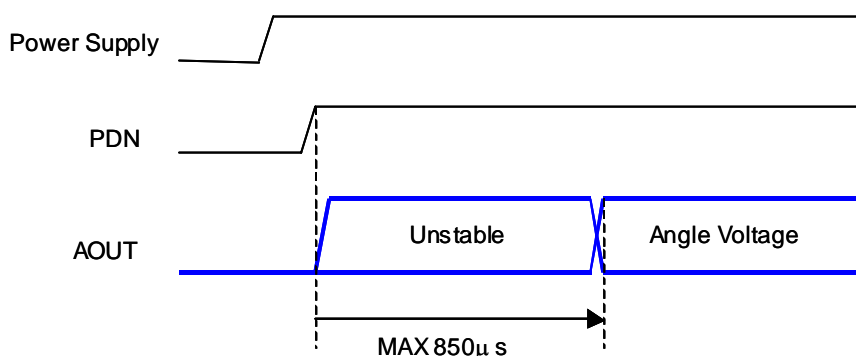
*2) This is a design assurance parameter. And this parameter will not be inspected in mass production.

◆ Application Circuit (Example)



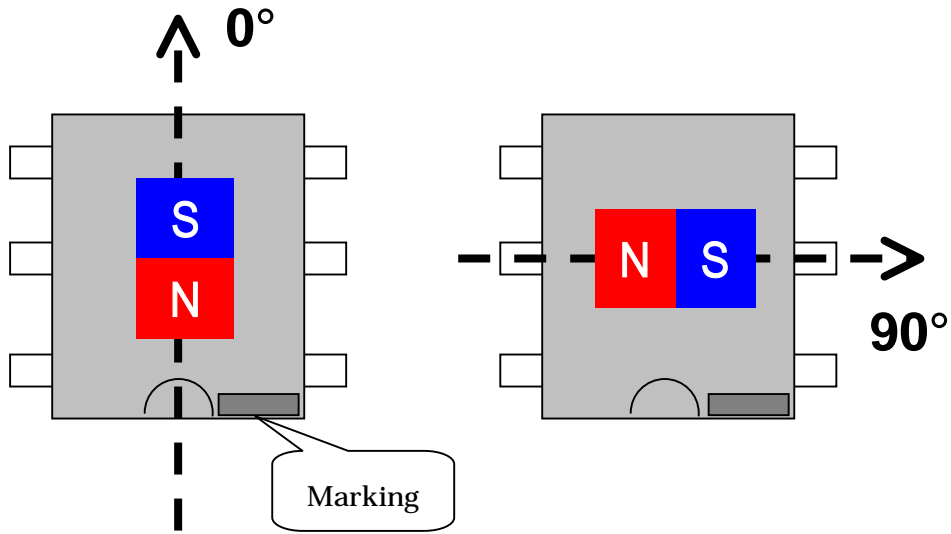
*Bypass capacitor must be inserted between VDD and VSS.

◆ Output Timing

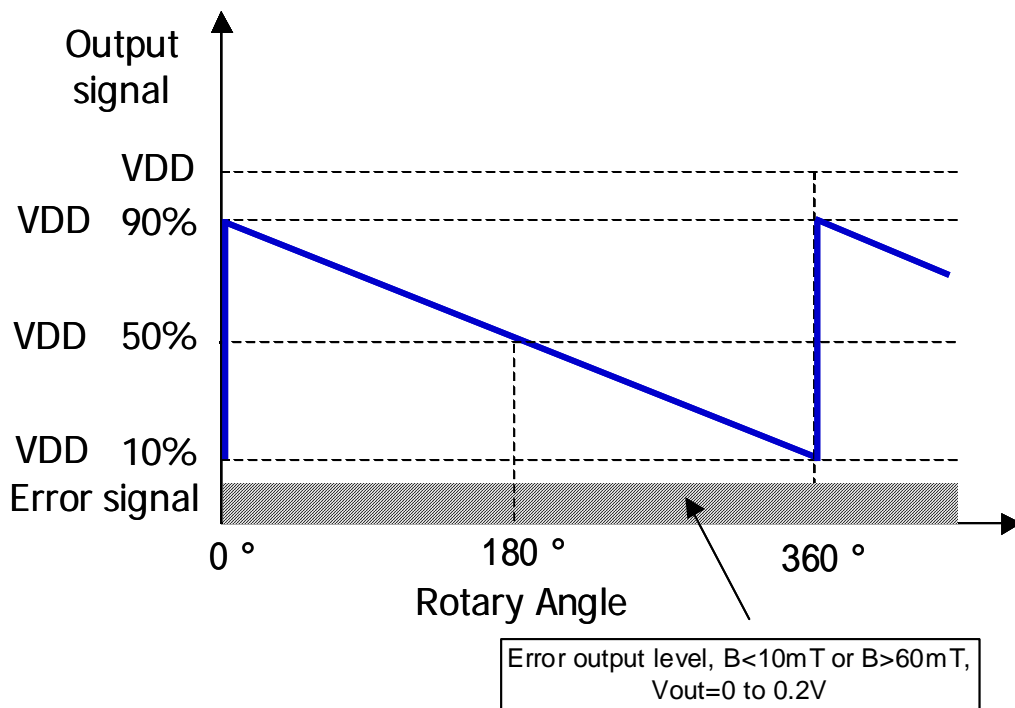


- 1) Please be noted that there is a certain period that the angle output voltage is unstable when EM3242 goes to the operation from power down (PDN) mode, as shown above.
- 2) "Power Up Voltage" should be applied to PDN pin after applying "Power Supply Voltage" to VDD pin.

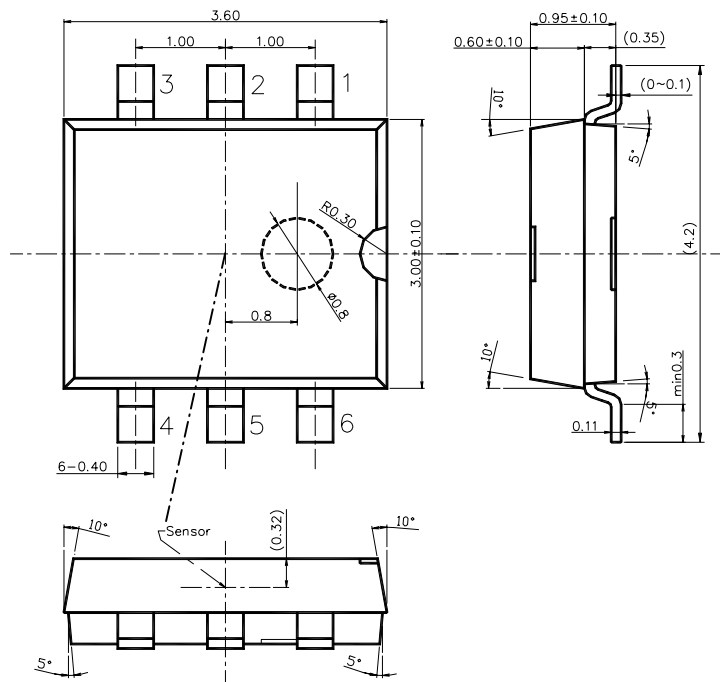
Magnet Direction and Output Voltage



Marking side defines the N polar as 0°, the Output Voltage (AOUT) decreases as the magnet rotates clockwise.



Package and Terminals



Material of the terminals; Cu

Material of the plating; Sn

*This product is a Pb-Free Product.

Terminal Number	Terminal Name	Explanation
1	<i>TSTB</i>	This is an IC-Test terminal. Normally, this terminal should be connected with Ground.
2	<i>VSS</i>	This is a Ground Terminal.
3	<i>PDN</i>	This is a Power Down terminal. EM3242 goes to Active when PDN=H, and goes to PDN mode when PDN=L.
4	<i>AOUT</i>	This is a Sensor Output Terminal.
5	<i>VDD</i>	This is a Power Supply terminal. 0.1μF of ceramic capacitor should be connected between this terminal and GND terminal.
6	<i>TESTA</i>	This is an IC-Test terminal. Normally, this terminal should be connected with Ground.

Important Notices

- 1) These products and their specifications are subject to change without notice. When you consider any use or application of these products, please make inquiries the sales office of Asahi Kasei EMD Corporation (AKEMD) or authorized distributors as to current status of the products.
- 2) AKEMD assumes no liability for infringement of any patent, intellectual property, or other rights in the application or use of any information contained herein.
- 3) Any export of these products, or devices or systems containing them, may require an export license or other official approval under the law and regulations of the country of export pertaining to customs and tariffs, currency exchange, or strategic materials.
- 4) AKEMD products are neither intended nor authorized for use as critical components>Note1) in any safety, life support, or other hazard related device or system>Note2), and AKEMD assumes no responsibility for such use, except for the use approved with the express written consent by AKEMD. As used here:

Note1) A critical component is one whose failure to function or perform may reasonably be expected to result, whether directly or indirectly, in the loss of the safety or effectiveness of the device or system containing it, and which must therefore meet very high standards of performance and reliability.

Note2) A hazard related device or system is one designed or intended for life support or maintenance of safety or for applications in medicine, aerospace, nuclear energy, or other fields, in which its failure to function or perform may reasonably be expected to result in loss of life or in significant injury or damage to person or property.

- 5) It is the responsibility of the buyer or distributor of AKEMD products, who distributes, disposes of, or otherwise places the product with a third party, to notify such third party in advance of the above content and conditions, and the buyer or distributor agrees to assume any and all responsibility and liability for and hold AKEMD harmless from any and all claims arising from the use of said product in the absence of such notification.