

# Low-Power BiCMOS Current-Mode PWM

## FEATURES

- 100 $\mu$ A Typical Starting Supply Current
- 500 $\mu$ A Typical Operating Supply Current
- Operation to 1MHz
- Internal Soft Start
- Internal Fault Soft Start
- Internal Leading-Edge Blanking of the Current Sense Signal
- 1 Amp Totem-Pole Output
- 70ns Typical Response from Current-Sense to Gate Drive Output
- 1.5% Tolerance Voltage Reference
- Same Pinout as UC3842 and UC3842A

## DESCRIPTION

The UCC1800/1/2/3/4/5 family of high-speed, low-power integrated circuits contain all of the control and drive components required for off-line and DC-to-DC fixed frequency current-mode switching power supplies with minimal parts count.

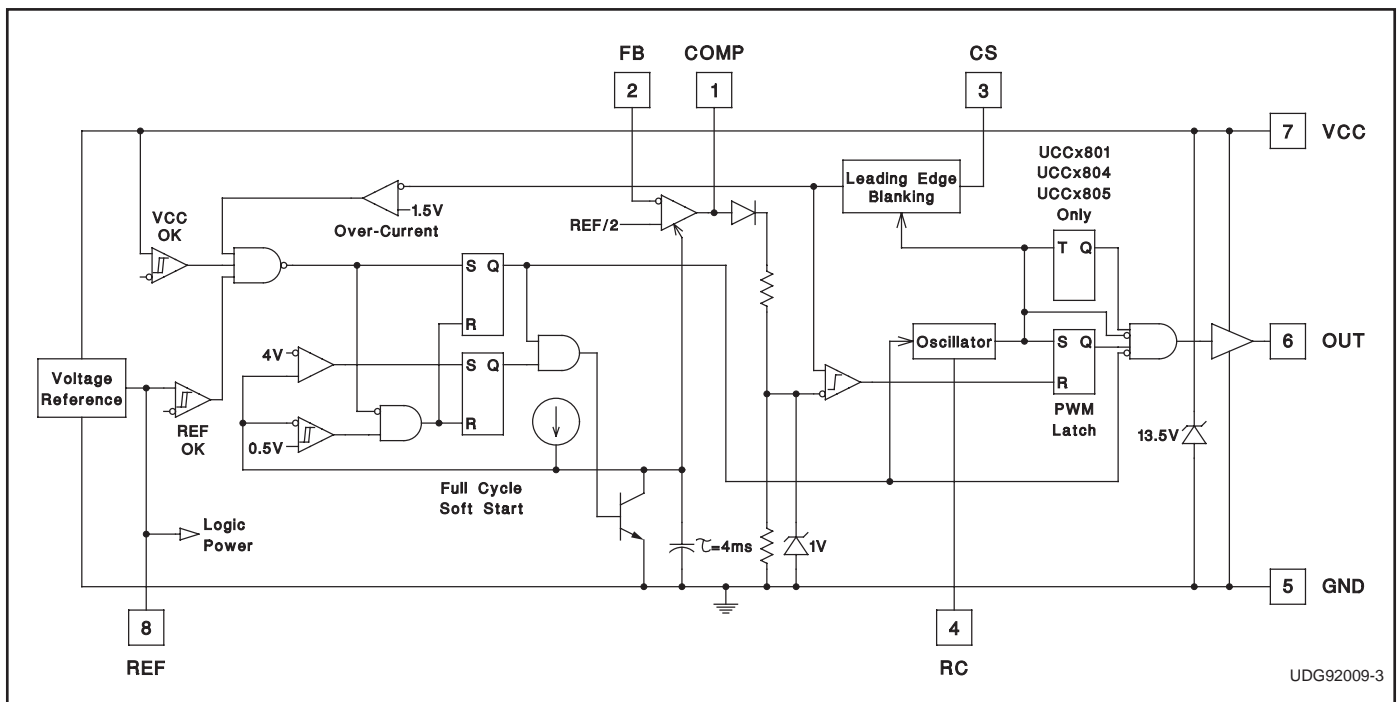
These devices have the same pin configuration as the UC1842/3/4/5 family, and also offer the added features of internal full-cycle soft start and internal leading-edge blanking of the current-sense input.

The UCC1800/1/2/3/4/5 family offers a variety of package options, temperature range options, choice of maximum duty cycle, and choice of critical voltage levels. Lower reference parts such as the UCC1803 and UCC1805 fit best into battery operated systems, while the higher reference and the higher UVLO hysteresis of the UCC1802 and UCC1804 make these ideal choices for use in off-line power supplies.

The UCC180x series is specified for operation from  $-55^{\circ}\text{C}$  to  $+125^{\circ}\text{C}$ , the UCC280x series is specified for operation from  $-40^{\circ}\text{C}$  to  $+85^{\circ}\text{C}$ , and the UCC380x series is specified for operation from  $0^{\circ}\text{C}$  to  $+70^{\circ}\text{C}$ .

| Part Number | Maximum Duty Cycle | Reference Voltage | Turn-On Threshold | Turn-Off Threshold |
|-------------|--------------------|-------------------|-------------------|--------------------|
| UCCx800     | 100%               | 5V                | 7.2V              | 6.9V               |
| UCCx801     | 50%                | 5V                | 9.4V              | 7.4V               |
| UCCx802     | 100%               | 5V                | 12.5V             | 8.3V               |
| UCCx803     | 100%               | 4V                | 4.1V              | 3.6V               |
| UCCx804     | 50%                | 5V                | 12.5V             | 8.3V               |
| UCCx805     | 50%                | 4V                | 4.1V              | 3.6V               |

## BLOCK DIAGRAM



### ABSOLUTE MAXIMUM RATINGS (Note 1)

|  |                 |
|--|-----------------|
| V <sub>CC</sub> Voltage (Note 2)                             | 12.0V           |
| V <sub>CC</sub> Current (Note 2)                             | 30.0mA          |
| OUT Current  | ±1.0A           |
| OUT Energy (Capacitive Load)                                 | 20.0μJ          |
| Analog Inputs (FB, CS)                                       | −0.3V to 6.3V   |
| Power Dissipation at T <sub>A</sub> < +25°C (N or J Package) | 1.0W            |
| Power Dissipation at T <sub>A</sub> < +25°C (D Package)      | 0.65W           |
| Power Dissipation at T <sub>A</sub> < +25°C (L Package)      | 1.375W          |
| Storage Temperature Range                                    | −65°C to +150°C |
| Lead Temperature (Soldering, 10 Seconds)                     | +300°C          |

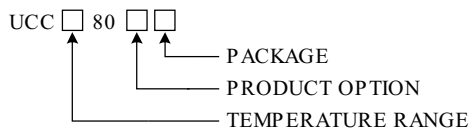
Note 1: Values beyond which damage may occur. All voltages are with respect to GND. All currents are positive into the specified terminal. Consult Unitrode databook for information regarding thermal specifications and limitations of packages.

Note 2: In normal operation V<sub>CC</sub> is powered through a current limiting resistor. Absolute maximum of 12V applies when V<sub>CC</sub> is driven from a low impedance source such that I<sub>CC</sub> does not exceed 30mA (which includes gate drive current requirement). The resistor should be sized so that the V<sub>CC</sub> voltage, under operating conditions is below 12V but above the turn off threshold.

### TEMPERATURE AND PACKAGE SELECTION

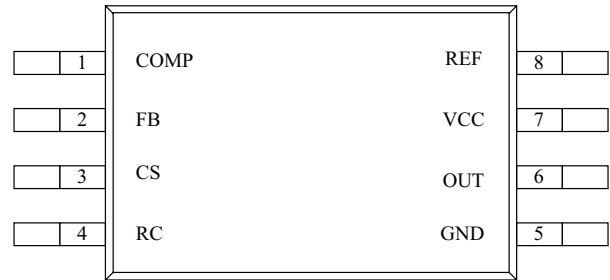
|         | Temperature Range | Available Packages |
|---------|-------------------|--------------------|
| UCC180X | −55°C to +125°C   | J, L               |
| UCC280X | −40°C to +85°C    | N, D, PW           |
| UCC380X | 0°C to +70°C      | N, D, PW           |

### ORDERING INFORMATION

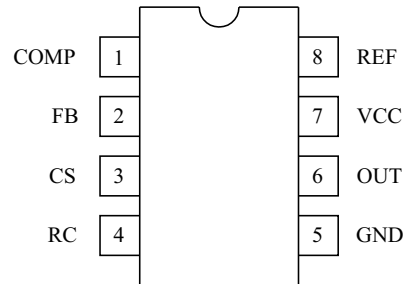


### CONNECTION DIAGRAMS

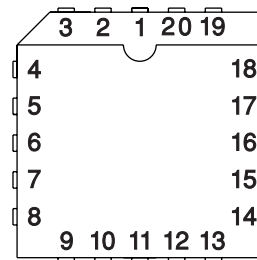
**TSSOP-8 (Top View)  
 PW Package**



**DIL-8, SOIC-8 (Top View)  
 J or N, D Package**



**LCC-20  
 (TOP VIEW)  
 L Package**



| PACKAGE PIN FUNCTION |       |
|----------------------|-------|
| FUNCTION             | PIN   |
| N/C                  | 1     |
| Comp                 | 2     |
| N/C                  | 3-4   |
| FB                   | 5     |
| N/C                  | 6     |
| CS                   | 7     |
| N/C                  | 8-9   |
| RC                   | 10    |
| N/C                  | 11    |
| PWR GND              | 12    |
| GND                  | 13    |
| N/C                  | 14    |
| OUT                  | 15    |
| N/C                  | 16    |
| VCC                  | 17    |
| N/C                  | 18-19 |
| REF                  | 20    |

**ELECTRICAL CHARACTERISTICS** Unless otherwise stated, these specifications apply for  $-55^{\circ}\text{C} \leq T_A \leq +125^{\circ}\text{C}$  for UCC180x;  $-40^{\circ}\text{C} \leq T_A \leq +85^{\circ}\text{C}$  for UCC280x;  $0^{\circ}\text{C} \leq T_A \leq +70^{\circ}\text{C}$  for UCC380x;  $V_{CC}=10\text{V}$  (Note 3);  $R_T=100\text{k}$  from REF to RC;  $C_T=330\text{pF}$  from RC to GND; 0.1  $\mu\text{F}$  capacitor from  $V_{CC}$  to GND; 0.1  $\mu\text{F}$  capacitor from  $V_{REF}$  to GND.  $T_A=T_J$ .

| PARAMETER                      | TEST CONDITIONS   | UCC180X<br>UCC280X |      |       | UCC380X |      |       | UNITS         |
|--------------------------------|---|--------------------|------|-------|---------|------|-------|---------------|
|                                |   | MIN                | TYP  | MAX   | MIN     | TYP  | MAX   |               |
| <b>Reference Section</b>       |   |                    |      |       |         |      |       |               |
| Output Voltage                 | $T_J=+25^{\circ}\text{C}$ , $I=0.2\text{mA}$ , UCCx800/1/2/4  | 4.925              | 5.00 | 5.075 | 4.925   | 5.00 | 5.075 | V             |
|                                | $T_J=+25^{\circ}\text{C}$ , $I=0.2\text{mA}$ , UCCx803/5  | 3.94               | 4.00 | 4.06  | 3.94    | 4.00 | 4.06  |               |
| Load Regulation                | $0.2\text{mA} < I < 5\text{mA}$   |                    | 10   | 30    |         | 10   | 25    | mV            |
| Line Regulation                | $T_J=+25^{\circ}\text{C}$ ,<br>$V_{CC}=10\text{V}$ to Clamp ( $I_{VCC}=25\text{mA}$ )                           |                    |      | 1.9   |         |      | 1.9   | mV/V          |
|                                | $T_J=-55^{\circ}\text{C}$ to $+125^{\circ}\text{C}$ ,<br>$V_{CC}=10\text{V}$ to Clamp ( $I_{VCC}=25\text{mA}$ ) |                    |      | 2.5   |         |      | 2.1   | mV/V          |
| Total Variation                | UCCx800/1/2/4 (Note 7)  | 4.88               | 5.00 | 5.10  | 4.88    | 5.00 | 5.10  | V             |
|                                | UCCx803/5 (Note 7)  | 3.90               | 4.00 | 4.08  | 3.90    | 4.00 | 4.08  | V             |
| Output Noise Voltage           | $10\text{Hz} \leq f \leq 10\text{kHz}$ , $T_J=+25^{\circ}\text{C}$ (Note 9)                                     |                    | 130  |       |         | 130  |       | $\mu\text{V}$ |
| Long Term Stability            | $T_A=+125^{\circ}\text{C}$ , 1000 Hours (Note 9)  |                    | 5    |       |         | 5    |       | mV            |
| Output Short Circuit           |   | -5                 |      | -35   | -5      |      | -35   | mA            |
| <b>Oscillator Section</b>      |   |                    |      |       |         |      |       |               |
| Oscillator Frequency           | UCCx800/1/2/4 (Note 4)  | 40                 | 46   | 52    | 40      | 46   | 52    | kHz           |
|                                | UCCx803/5 (Note 4)  | 26                 | 31   | 36    | 26      | 31   | 36    |               |
| Temperature Stability          | (Note 9)  |                    | 2.5  |       |         | 2.5  |       | %             |
| Amplitude peak-to-peak         |   | 2.25               | 2.40 | 2.55  | 2.25    | 2.40 | 2.55  | V             |
| Oscillator Peak Voltage        |   |                    | 2.45 |       |         | 2.45 |       | V             |
| <b>Error Amplifier Section</b> |   |                    |      |       |         |      |       |               |
| Input Voltage                  | COMP=2.5V; UCCx800/1/2/4  | 2.44               | 2.50 | 2.56  | 2.44    | 2.50 | 2.56  | V             |
|                                | COMP=2.0V; UCCx803/5  | 1.95               | 2.0  | 2.05  | 1.95    | 2.0  | 2.05  |               |
| Input Bias Current             |   | -1                 |      | 1     | -1      |      | 1     | $\mu\text{A}$ |
| Open Loop Voltage Gain         |   | 60                 | 80   |       | 60      | 80   |       | dB            |
| COMP Sink Current              | FB=2.7V, COMP=1.1V  | 0.3                |      | 3.5   | 0.4     |      | 2.5   | mA            |
| COMP Source Current            | FB=1.8V, COMP=REF-1.2V  | -0.2               | -0.5 | -0.8  | -0.2    | -0.5 | -0.8  | mA            |
| Gain Bandwidth Product         | (Note 9)  |                    | 2    |       |         | 2    |       | MHz           |
| <b>PWM Section</b>             |   |                    |      |       |         |      |       |               |
| Maximum Duty Cycle             | UCCx800/2/3   | 97                 | 99   | 100   | 97      | 99   | 100   | %             |
|                                | UCCx801/4/5   | 48                 | 49   | 50    | 48      | 49   | 50    |               |
| Minimum Duty Cycle             | COMP=0V   |                    |      | 0     |         |      | 0     | %             |
| <b>Current Sense Section</b>   |   |                    |      |       |         |      |       |               |
| Gain                           | (Note 5)  | 1.10               | 1.65 | 1.80  | 1.10    | 1.65 | 1.80  | V/V           |
| Maximum Input Signal           | COMP=5V (Note 6)  | 0.9                | 1.0  | 1.1   | 0.9     | 1.0  | 1.1   | V             |
| Input Bias Current             |   | -200               |      | 200   | -200    |      | 200   | nA            |
| CS Blank Time                  |   | 50                 | 100  | 150   | 50      | 100  | 150   | ns            |
| Over-Current Threshold         |   | 1.42               | 1.55 | 1.68  | 1.42    | 1.55 | 1.68  | V             |
| COMP to CS Offset              | CS=0V   | 0.45               | 0.90 | 1.35  | 0.45    | 0.90 | 1.35  | V             |

**ELECTRICAL CHARACTERISTICS** Unless otherwise stated, these specifications apply for  $-55^{\circ}\text{C} \leq T_A \leq +125^{\circ}\text{C}$  for UCC180x;  $-40^{\circ}\text{C} \leq T_A \leq +85^{\circ}\text{C}$  for UCC280x;  $0^{\circ}\text{C} \leq T_A \leq +70^{\circ}\text{C}$  for UCC380x;  $V_{CC}=10\text{V}$  (Note 3);  $RT=100\text{k}$  from REF to RC;  $CT=330\text{pF}$  from RC to GND;  $0.1 \text{ F}$  capacitor from  $V_{CC}$  to GND;  $0.1 \text{ F}$  capacitor from  $V_{REF}$  to GND.  $T_A=T_J$ .

| PARAMETER  | TEST CONDITIONS                           | UCC180X<br>UCC280X |      |      | UCC380X |      |      | UNITS |
|--|---|--------------------|------|------|---------|------|------|-------|
| <b>Output Section</b>                                    |   |                    |      |      |         |      |      |       |
| OUT Low Level  | I=20mA, all parts                         |                    | 0.1  | 0.4  |         | 0.1  | 0.4  | V     |
|  | I=200mA, all parts                        |                    | 0.35 | 0.90 |         | 0.35 | 0.90 | V     |
|  | I=50mA, VCC=5V, UCCx803/5                 |                    | 0.15 | 0.40 |         | 0.15 | 0.40 | V     |
|  | I=20mA, VCC=0V, all parts                 |                    | 0.7  | 1.2  |         | 0.7  | 1.2  | V     |
| OUT High V <sub>SAT</sub><br>(V <sub>CC</sub> -OUT)      | I=-20mA, all parts                        |                    | 0.15 | 0.40 |         | 0.15 | 0.40 | V     |
|  | I=-200mA, all parts                       |                    | 1.0  | 1.9  |         | 1.0  | 1.9  | V     |
|  | I=-50mA, VCC=5V, UCCx803/5                |                    | 0.4  | 0.9  |         | 0.4  | 0.9  | V     |
| Rise Time  | C <sub>L</sub> =1nF                       |                    | 41   | 70   |         | 41   | 70   | ns    |
| Fall Time  | C <sub>L</sub> =1nF                       |                    | 44   | 75   |         | 44   | 75   | ns    |
| <b>Undervoltage Lockout Section</b>                      |   |                    |      |      |         |      |      |       |
| Start Threshold (Note 8)                                 | UCCx800                                   | 6.6                | 7.2  | 7.8  | 6.6     | 7.2  | 7.8  | V     |
|  | UCCx801                                   | 8.6                | 9.4  | 10.2 | 8.6     | 9.4  | 10.2 | V     |
|  | UCCx802/4                                 | 11.5               | 12.5 | 13.5 | 11.5    | 12.5 | 13.5 | V     |
|  | UCCx803/5                                 | 3.7                | 4.1  | 4.5  | 3.7     | 4.1  | 4.5  | V     |
| Stop Threshold (Note 8)                                  | UCCx1800                                  | 6.3                | 6.9  | 7.5  | 6.3     | 6.9  | 7.5  | V     |
|  | UCCx1801                                  | 6.8                | 7.4  | 8.0  | 6.8     | 7.4  | 8.0  | V     |
|  | UCCx802/4                                 | 7.6                | 8.3  | 9.0  | 7.6     | 8.3  | 9.0  | V     |
|  | UCCx803/5                                 | 3.2                | 3.6  | 4.0  | 3.2     | 3.6  | 4.0  | V     |
| <b>Undervoltage Lockout Section (cont.)</b>              |   |                    |      |      |         |      |      |       |
| Start to Stop Hysteresis                                 | UCCx800                                   | 0.12               | 0.3  | 0.48 | 0.12    | 0.3  | 0.48 | V     |
|  | UCCx801                                   | 1.6                | 2    | 2.4  | 1.6     | 2    | 2.4  | V     |
|  | UCCx802/4                                 | 3.5                | 4.2  | 5.1  | 3.5     | 4.2  | 5.1  | V     |
|  | UCCx803/5                                 | 0.2                | 0.5  | 0.8  | 0.2     | 0.5  | 0.8  | V     |
| <b>Soft Start Section</b>                                |   |                    |      |      |         |      |      |       |
| COMP Rise Time   | FB=1.8V, Rise from 0.5V to REF-1V         |                    | 4    | 10   |         | 4    | 10   | ms    |
| <b>Overall Section</b>                                   |   |                    |      |      |         |      |      |       |
| Start-up Current   | V <sub>CC</sub> < Start Threshold         |                    | 0.1  | 0.2  |         | 0.1  | 0.2  | mA    |
| Operating Supply Current                                 | FB=0V, CS=0V                              |                    | 0.5  | 1.0  |         | 0.5  | 1.0  | mA    |
| VCC Internal Zener Voltage                               | I <sub>CC</sub> =10mA (Note 8), (Note 10) | 12                 | 13.5 | 15   | 12      | 13.5 | 15   | V     |
| VCC Internal Zener Voltage Minus Start Threshold Voltage | UCCx802/4 (Note 8)                        | 0.5                | 1.0  |      | 0.5     | 1.0  |      | V     |

Note 3: Adjust VCC above the start threshold before setting at 10V.

Note 4: Oscillator frequency for the UCCx800, UCCx802 and UCCx803 is the output frequency.

Oscillator frequency for the UCCx801, UCCx804 and UCCx805 is twice the output frequency.

Note 5: Gain is defined by:  $A = \frac{\Delta V_{COMP}}{\Delta V_{CS}}$   $0 \leq V_{CS} \leq 0.8V$ .

Note 6: Parameter measured at trip point of latch with Pin 2 at 0V.

Note 7: Total Variation includes temperature stability and load regulation.

Note 8: Start Threshold, Stop Threshold and Zener Shunt Thresholds track one another.

Note 9: Guaranteed by design. Not 100% tested in production.

Note 10: The device is fully operating in clamp mode as the forcing current is higher than the normal operating supply current.

## PIN DESCRIPTIONS

**COMP:** COMP is the output of the error amplifier and the input of the PWM comparator.

Unlike other devices, the error amplifier in the UCC3800 family is a true, low output-impedance, 2MHz operational amplifier. As such, the COMP terminal can both source and sink current. However, the error amplifier is internally current limited, so that you can command zero duty cycle by externally forcing COMP to GND.

The UCC3800 family features built-in full cycle Soft Start. Soft Start is implemented as a clamp on the maximum COMP voltage.

**CS:** CS is the input to the current sense comparators. The UCC3800 family has two different current sense comparators: the PWM comparator and an over-current comparator.

The UCC3800 family contains digital current sense filtering, which disconnects the CS terminal from the current sense comparator during the 100ns interval immediately following the rising edge of the OUT pin. This digital filtering, also called leading-edge blanking, means that in most applications, no analog filtering (RC filter) is required on CS. Compared to an external RC filter technique, the leading-edge blanking provides a smaller effective CS to OUT propagation delay. Note, however, that the minimum non-zero On-Time of the OUT signal is directly affected by the leading-edge-blanking and the CS to OUT propagation delay.

The over-current comparator is only intended for fault sensing, and exceeding the over-current threshold will cause a soft start cycle.

**FB:** FB is the inverting input of the error amplifier. For best stability, keep FB lead length as short as possible and FB stray capacitance as small as possible.

**GND:** GND is reference ground and power ground for all functions on this part.

**OUT:** OUT is the output of a high-current power driver capable of driving the gate of a power MOSFET with peak currents exceeding  $\pm 750\text{mA}$ . OUT is actively held low when  $V_{CC}$  is below the UVLO threshold.

The high-current power driver consists of FET output devices, which can switch all of the way to GND and all of the way to  $V_{CC}$ . The output stage also provides a very low impedance to overshoot and undershoot. This means that in many cases, external schottky clamp diodes are not required.

**RC:** RC is the oscillator timing pin. For fixed frequency operation, set timing capacitor charging current by connecting a resistor from REF to RC. Set frequency by connecting a timing capacitor from RC to GND. For best

performance, keep the timing capacitor lead to GND as short and direct as possible. If possible, use separate ground traces for the timing capacitor and all other functions.

The frequency of oscillation can be estimated with the following equations:

$$\text{UCCx800/1/2/4: } F = \frac{1.5}{R \cdot C}$$

$$\text{UCCx803, UCCx805: } F = \frac{1.0}{R \cdot C}$$

where frequency is in Hz, resistance is in ohms, and capacitance is in farads. The recommended range of timing resistors is between 10k and 200k and timing capacitor is 100pF to 1000pF. Never use a timing resistor less than 10k.

To prevent noise problems, bypass  $V_{CC}$  to GND with a ceramic capacitor as close to the  $V_{CC}$  pin as possible. An electrolytic capacitor may also be used in addition to the ceramic capacitor.

**REF:** REF is the voltage reference for the error amplifier and also for many other functions on the IC. REF is also used as the logic power supply for high speed switching logic on the IC.

When  $V_{CC}$  is greater than 1V and less than the UVLO threshold, REF is pulled to ground through a 5k ohm resistor. This means that REF can be used as a logic output indicating power system status. It is important for reference stability that REF is bypassed to GND with a ceramic capacitor as close to the pin as possible. An electrolytic capacitor may also be used in addition to the ceramic capacitor. A minimum of 0.1 $\mu\text{F}$  ceramic is required. Additional REF bypassing is required for external loads greater than 2.5mA on the reference.

To prevent noise problems with high speed switching transients, bypass REF to ground with a ceramic capacitor very close to the IC package.

**VCC:**  $V_{CC}$  is the power input connection for this device. In normal operation  $V_{CC}$  is powered through a current limiting resistor. Although quiescent  $V_{CC}$  current is very low, total supply current will be higher, depending on OUT current. Total  $V_{CC}$  current is the sum of quiescent  $V_{CC}$  current and the average OUT current. Knowing the operating frequency and the MOSFET gate charge ( $Q_g$ ), average OUT current can be calculated from:

$$I_{OUT} = Q_g \times F.$$

There should be a minimum of 1.0 $\mu\text{F}$  in parallel with a 0.1 $\mu\text{F}$  ceramic capacitor from  $V_{CC}$  to ground located close to the device

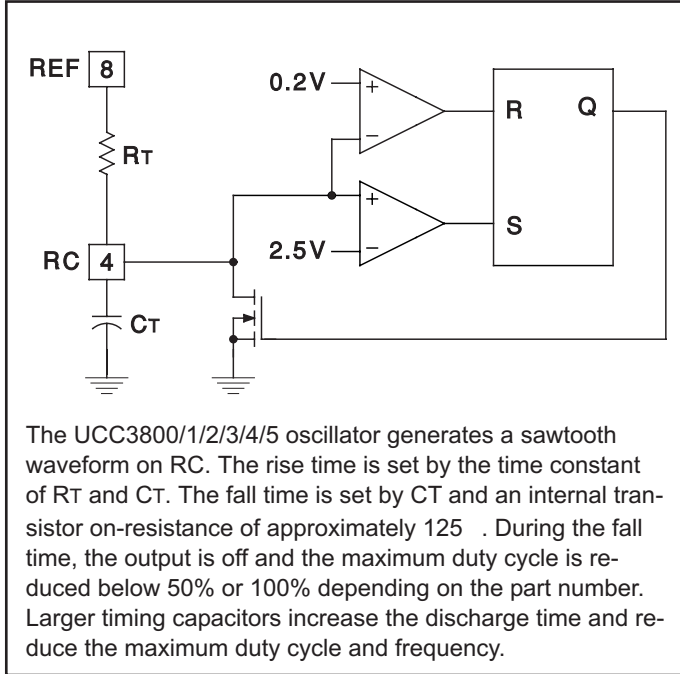


Figure 1. Oscillator.

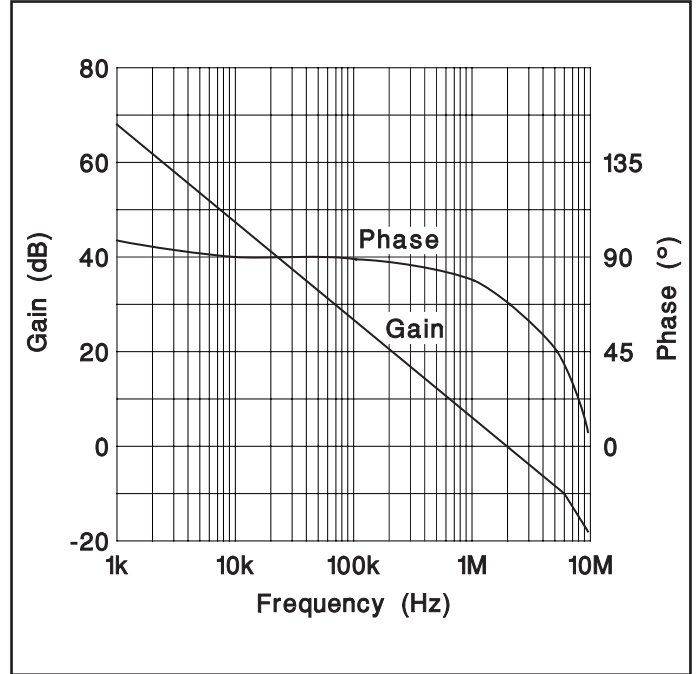


Figure 2. Error amplifier gain/phase response.

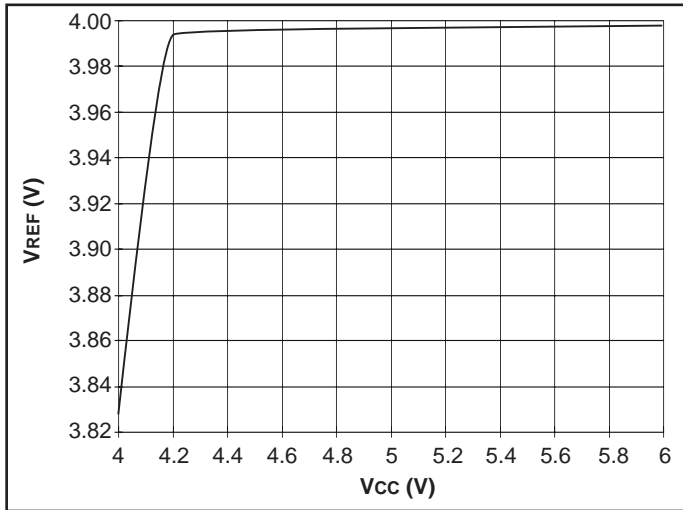


Figure 3. UCC1803/5  $V_{REF}$  vs.  $V_{CC}$ ;  $I_{LOAD} = 0.5mA$ .

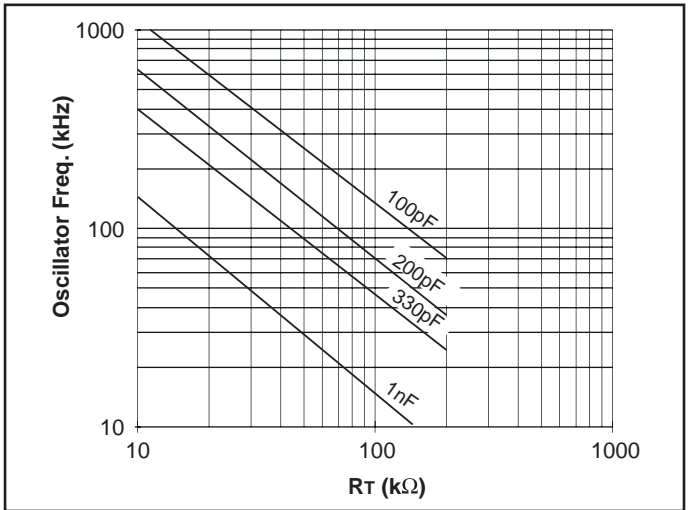


Figure 4. UCC1800/1/2/4 oscillator frequency vs.  $R_T$  and  $C_T$ .

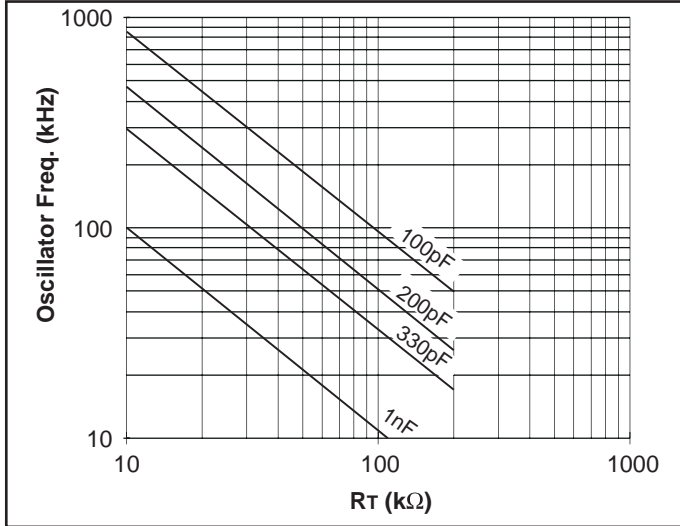


Figure 5. UCC1803/5 oscillator frequency vs.  $R_T$  and  $C_T$ .

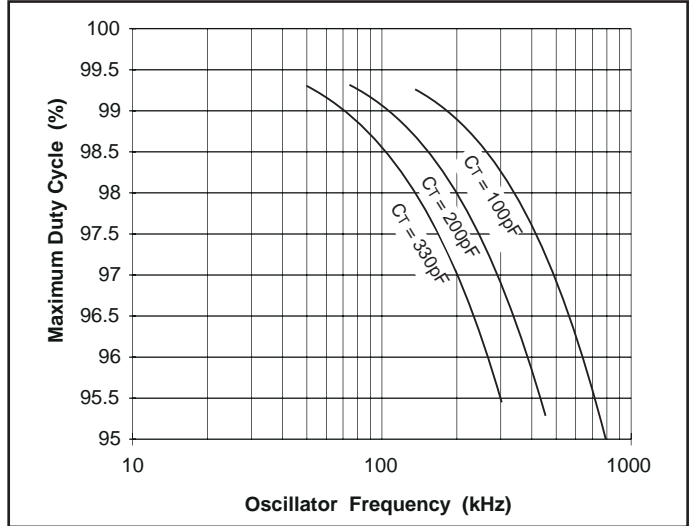


Figure 6. UCC1800/2/3 maximum duty cycle vs. oscillator frequency.

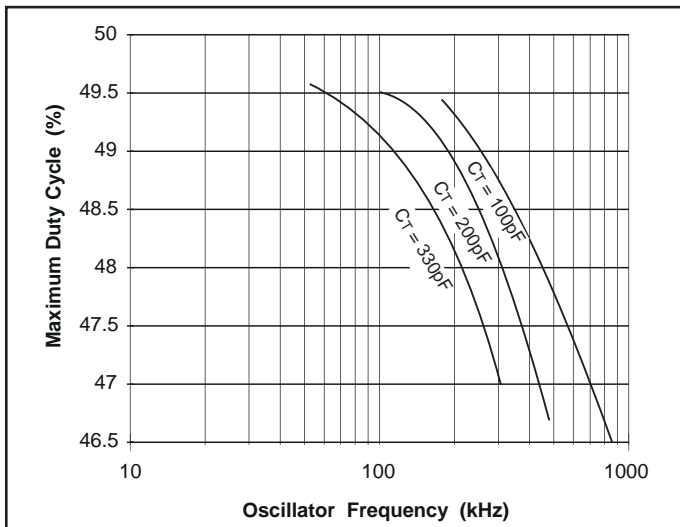


Figure 7. UCC1801/4/5 maximum duty cycle vs. oscillator frequency.

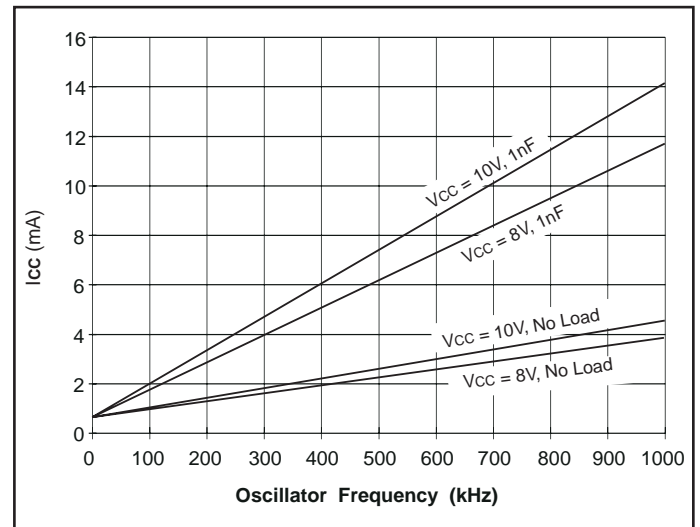


Figure 8. UCC1800  $I_{CC}$  vs. oscillator frequency.

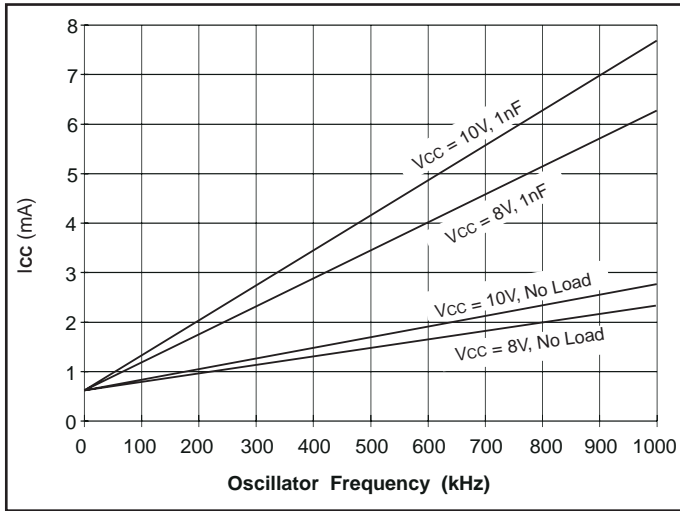


Figure 8. UCC1805 ICC vs. oscillator frequency.

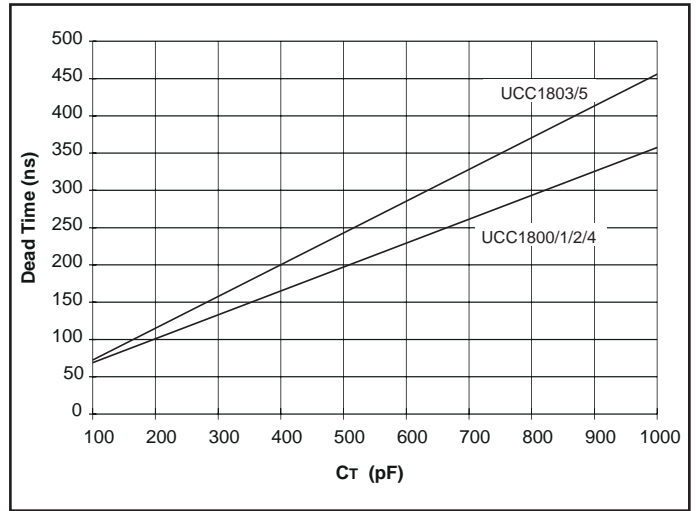


Figure 9. Dead time vs.  $C_T$ ,  $R_T = 100k$ .

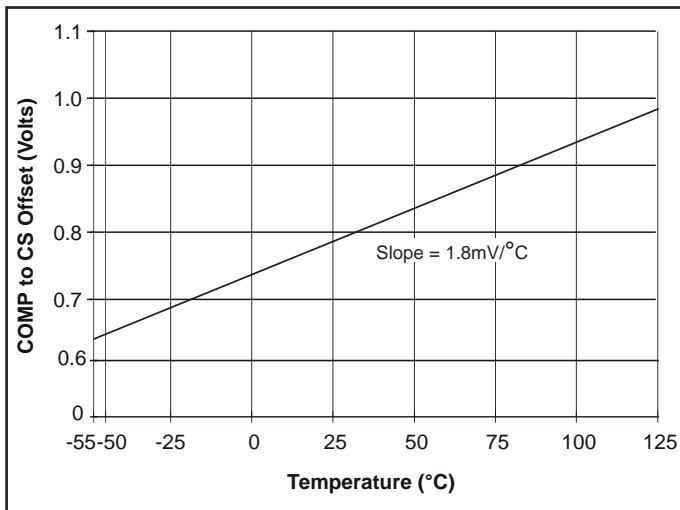


Figure 10. COMP to CS offset vs. temperature, CS = 0V.

**PACKAGING INFORMATION**

| Orderable Device | Status <sup>(1)</sup> | Package Type | Package Drawing | Pins | Package Qty | Eco Plan <sup>(2)</sup> | Lead/Ball Finish | MSL Peak Temp <sup>(3)</sup> |
|------------------|-----------------------|--------------|-----------------|------|-------------|-------------------------|------------------|------------------------------|
| 5962-9451301MPA  | ACTIVE                | CDIP         | JG              | 8    | 1           | TBD                     | A42 SNPB         | N / A for Pkg Type           |
| 5962-9451302MPA  | ACTIVE                | CDIP         | JG              | 8    | 1           | TBD                     | A42 SNPB         | N / A for Pkg Type           |
| 5962-9451303MPA  | ACTIVE                | CDIP         | JG              | 8    | 1           | TBD                     | A42 SNPB         | N / A for Pkg Type           |
| 5962-9451304MPA  | ACTIVE                | CDIP         | JG              | 8    | 1           | TBD                     | A42 SNPB         | N / A for Pkg Type           |
| 5962-9451305MPA  | ACTIVE                | CDIP         | JG              | 8    | 1           | TBD                     | A42 SNPB         | N / A for Pkg Type           |
| 5962-9451305VPA  | ACTIVE                | CDIP         | JG              | 8    | 1           | TBD                     | A42              | N / A for Pkg Type           |
| UCC1800J         | ACTIVE                | CDIP         | JG              | 8    | 1           | TBD                     | A42 SNPB         | N / A for Pkg Type           |
| UCC1800J883B     | ACTIVE                | CDIP         | JG              | 8    | 1           | TBD                     | A42 SNPB         | N / A for Pkg Type           |
| UCC1800L883B     | ACTIVE                | LCCC         | FK              | 20   | 1           | TBD                     | POST-PLATE       | N / A for Pkg Type           |
| UCC1801J         | ACTIVE                | CDIP         | JG              | 8    | 1           | TBD                     | A42 SNPB         | N / A for Pkg Type           |
| UCC1801J883B     | ACTIVE                | CDIP         | JG              | 8    | 1           | TBD                     | A42 SNPB         | N / A for Pkg Type           |
| UCC1802J         | ACTIVE                | CDIP         | JG              | 8    | 1           | TBD                     | A42 SNPB         | N / A for Pkg Type           |
| UCC1802J883B     | ACTIVE                | CDIP         | JG              | 8    | 1           | TBD                     | A42 SNPB         | N / A for Pkg Type           |
| UCC1803J         | ACTIVE                | CDIP         | JG              | 8    | 1           | TBD                     | A42 SNPB         | N / A for Pkg Type           |
| UCC1803J883B     | ACTIVE                | CDIP         | JG              | 8    | 1           | TBD                     | A42 SNPB         | N / A for Pkg Type           |
| UCC1804J         | ACTIVE                | CDIP         | JG              | 8    | 1           | TBD                     | A42 SNPB         | N / A for Pkg Type           |
| UCC1804J883B     | ACTIVE                | CDIP         | JG              | 8    | 1           | TBD                     | A42 SNPB         | N / A for Pkg Type           |
| UCC1805J         | ACTIVE                | CDIP         | JG              | 8    | 1           | TBD                     | A42 SNPB         | N / A for Pkg Type           |
| UCC1805J883B     | ACTIVE                | CDIP         | JG              | 8    | 1           | TBD                     | A42 SNPB         | N / A for Pkg Type           |
| UCC2800D         | ACTIVE                | SOIC         | D               | 8    | 75          | Green (RoHS & no Sb/Br) | CU NIPDAU        | Level-1-260C-UNLIM           |
| UCC2800DG4       | ACTIVE                | SOIC         | D               | 8    | 75          | Green (RoHS & no Sb/Br) | CU NIPDAU        | Level-1-260C-UNLIM           |
| UCC2800DTR       | ACTIVE                | SOIC         | D               | 8    | 2500        | Green (RoHS & no Sb/Br) | CU NIPDAU        | Level-1-260C-UNLIM           |
| UCC2800DTRG4     | ACTIVE                | SOIC         | D               | 8    | 2500        | Green (RoHS & no Sb/Br) | CU NIPDAU        | Level-1-260C-UNLIM           |
| UCC2800N         | ACTIVE                | PDIP         | P               | 8    | 50          | Green (RoHS & no Sb/Br) | CU NIPDAU        | N / A for Pkg Type           |
| UCC2800NG4       | ACTIVE                | PDIP         | P               | 8    | 50          | Green (RoHS & no Sb/Br) | CU NIPDAU        | N / A for Pkg Type           |
| UCC2800PW        | ACTIVE                | TSSOP        | PW              | 8    | 150         | Green (RoHS & no Sb/Br) | CU NIPDAU        | Level-2-260C-1 YEAR          |
| UCC2800PWG4      | ACTIVE                | TSSOP        | PW              | 8    | 150         | Green (RoHS & no Sb/Br) | CU NIPDAU        | Level-2-260C-1 YEAR          |
| UCC2801D         | ACTIVE                | SOIC         | D               | 8    | 75          | Green (RoHS & no Sb/Br) | CU NIPDAU        | Level-1-260C-UNLIM           |
| UCC2801DG4       | ACTIVE                | SOIC         | D               | 8    | 75          | Green (RoHS & no Sb/Br) | CU NIPDAU        | Level-1-260C-UNLIM           |
| UCC2801DTR       | ACTIVE                | SOIC         | D               | 8    | 2500        | Green (RoHS & no Sb/Br) | CU NIPDAU        | Level-1-260C-UNLIM           |
| UCC2801DTRG4     | ACTIVE                | SOIC         | D               | 8    | 2500        | Green (RoHS & no Sb/Br) | CU NIPDAU        | Level-1-260C-UNLIM           |
| UCC2801N         | ACTIVE                | PDIP         | P               | 8    | 50          | Green (RoHS & no Sb/Br) | CU NIPDAU        | N / A for Pkg Type           |
| UCC2801NG4       | ACTIVE                | PDIP         | P               | 8    | 50          | Green (RoHS & no Sb/Br) | CU NIPDAU        | N / A for Pkg Type           |

| Orderable Device | Status <sup>(1)</sup> | Package Type | Package Drawing | Pins | Package Qty | Eco Plan <sup>(2)</sup> | Lead/Ball Finish | MSL Peak Temp <sup>(3)</sup> |
|------------------|-----------------------|--------------|-----------------|------|-------------|-------------------------|------------------|------------------------------|
|                  |                       |              |                 |      |             | no Sb/Br)               |                  |                              |
| UCC2801PW        | ACTIVE                | TSSOP        | PW              | 8    | 150         | Green (RoHS & no Sb/Br) | CU NIPDAU        | Level-2-260C-1 YEAR          |
| UCC2801PWG4      | ACTIVE                | TSSOP        | PW              | 8    | 150         | Green (RoHS & no Sb/Br) | CU NIPDAU        | Level-2-260C-1 YEAR          |
| UCC2801QDRQ1G4   | ACTIVE                | SOIC         | D               | 8    |             | Green (RoHS & no Sb/Br) | CU NIPDAU        | Level-1-260C-UNLIM           |
| UCC2802D         | ACTIVE                | SOIC         | D               | 8    | 75          | Green (RoHS & no Sb/Br) | CU NIPDAU        | Level-1-260C-UNLIM           |
| UCC2802DG4       | ACTIVE                | SOIC         | D               | 8    | 75          | Green (RoHS & no Sb/Br) | CU NIPDAU        | Level-1-260C-UNLIM           |
| UCC2802DTR       | ACTIVE                | SOIC         | D               | 8    | 2500        | Green (RoHS & no Sb/Br) | CU NIPDAU        | Level-1-260C-UNLIM           |
| UCC2802DTRG4     | ACTIVE                | SOIC         | D               | 8    | 2500        | Green (RoHS & no Sb/Br) | CU NIPDAU        | Level-1-260C-UNLIM           |
| UCC2802J         | ACTIVE                | CDIP         | JG              | 8    | 1           | TBD                     | A42 SNPB         | N / A for Pkg Type           |
| UCC2802N         | ACTIVE                | PDIP         | P               | 8    | 50          | Green (RoHS & no Sb/Br) | CU NIPDAU        | N / A for Pkg Type           |
| UCC2802NG4       | ACTIVE                | PDIP         | P               | 8    | 50          | Green (RoHS & no Sb/Br) | CU NIPDAU        | N / A for Pkg Type           |
| UCC2802PW        | ACTIVE                | TSSOP        | PW              | 8    | 150         | Green (RoHS & no Sb/Br) | CU NIPDAU        | Level-2-260C-1 YEAR          |
| UCC2802PWG4      | ACTIVE                | TSSOP        | PW              | 8    | 150         | Green (RoHS & no Sb/Br) | CU NIPDAU        | Level-2-260C-1 YEAR          |
| UCC2803D         | ACTIVE                | SOIC         | D               | 8    | 75          | Green (RoHS & no Sb/Br) | CU NIPDAU        | Level-1-260C-UNLIM           |
| UCC2803DG4       | ACTIVE                | SOIC         | D               | 8    | 75          | Green (RoHS & no Sb/Br) | CU NIPDAU        | Level-1-260C-UNLIM           |
| UCC2803DTR       | ACTIVE                | SOIC         | D               | 8    | 2500        | Green (RoHS & no Sb/Br) | CU NIPDAU        | Level-1-260C-UNLIM           |
| UCC2803DTRG4     | ACTIVE                | SOIC         | D               | 8    | 2500        | Green (RoHS & no Sb/Br) | CU NIPDAU        | Level-1-260C-UNLIM           |
| UCC2803J         | ACTIVE                | CDIP         | JG              | 8    | 1           | TBD                     | A42 SNPB         | N / A for Pkg Type           |
| UCC2803N         | ACTIVE                | PDIP         | P               | 8    | 50          | Green (RoHS & no Sb/Br) | CU NIPDAU        | N / A for Pkg Type           |
| UCC2803NG4       | ACTIVE                | PDIP         | P               | 8    | 50          | Green (RoHS & no Sb/Br) | CU NIPDAU        | N / A for Pkg Type           |
| UCC2803PW        | ACTIVE                | TSSOP        | PW              | 8    | 150         | Green (RoHS & no Sb/Br) | CU NIPDAU        | Level-2-260C-1 YEAR          |
| UCC2803PWG4      | ACTIVE                | TSSOP        | PW              | 8    | 150         | Green (RoHS & no Sb/Br) | CU NIPDAU        | Level-2-260C-1 YEAR          |
| UCC2803PWTR      | ACTIVE                | TSSOP        | PW              | 8    | 2000        | Green (RoHS & no Sb/Br) | CU NIPDAU        | Level-2-260C-1 YEAR          |
| UCC2803PWTRG4    | ACTIVE                | TSSOP        | PW              | 8    | 2000        | Green (RoHS & no Sb/Br) | CU NIPDAU        | Level-2-260C-1 YEAR          |
| UCC2804D         | ACTIVE                | SOIC         | D               | 8    | 75          | Green (RoHS & no Sb/Br) | CU NIPDAU        | Level-1-260C-UNLIM           |
| UCC2804D/70021   | OBSOLETE              | SOIC         | D               | 8    |             | TBD                     | Call TI          | Call TI                      |
| UCC2804DG4       | ACTIVE                | SOIC         | D               | 8    | 75          | Green (RoHS & no Sb/Br) | CU NIPDAU        | Level-1-260C-UNLIM           |
| UCC2804DR81221G4 | ACTIVE                | SOIC         | D               | 8    |             | TBD                     | Call TI          | Call TI                      |

| Orderable Device | Status <sup>(1)</sup> | Package Type | Package Drawing | Pins | Package Qty | Eco Plan <sup>(2)</sup> | Lead/Ball Finish | MSL Peak Temp <sup>(3)</sup> |
|------------------|-----------------------|--------------|-----------------|------|-------------|-------------------------|------------------|------------------------------|
| UCC2804DTR       | ACTIVE                | SOIC         | D               | 8    | 2500        | Green (RoHS & no Sb/Br) | CU NIPDAU        | Level-1-260C-UNLIM           |
| UCC2804DTR/81221 | ACTIVE                | SOIC         | D               | 8    |             | TBD                     | Call TI          | Call TI                      |
| UCC2804DTRG4     | ACTIVE                | SOIC         | D               | 8    | 2500        | Green (RoHS & no Sb/Br) | CU NIPDAU        | Level-1-260C-UNLIM           |
| UCC2804N         | ACTIVE                | PDIP         | P               | 8    | 50          | Green (RoHS & no Sb/Br) | CU NIPDAU        | N / A for Pkg Type           |
| UCC2804NG4       | ACTIVE                | PDIP         | P               | 8    | 50          | Green (RoHS & no Sb/Br) | CU NIPDAU        | N / A for Pkg Type           |
| UCC2804PW        | ACTIVE                | TSSOP        | PW              | 8    | 150         | Green (RoHS & no Sb/Br) | CU NIPDAU        | Level-2-260C-1 YEAR          |
| UCC2804PWG4      | ACTIVE                | TSSOP        | PW              | 8    | 150         | Green (RoHS & no Sb/Br) | CU NIPDAU        | Level-2-260C-1 YEAR          |
| UCC2804PWTR      | ACTIVE                | TSSOP        | PW              | 8    | 2000        | Green (RoHS & no Sb/Br) | CU NIPDAU        | Level-2-260C-1 YEAR          |
| UCC2804PWTRG4    | ACTIVE                | TSSOP        | PW              | 8    | 2000        | Green (RoHS & no Sb/Br) | CU NIPDAU        | Level-2-260C-1 YEAR          |
| UCC2805D         | ACTIVE                | SOIC         | D               | 8    | 75          | Green (RoHS & no Sb/Br) | CU NIPDAU        | Level-1-260C-UNLIM           |
| UCC2805DG4       | ACTIVE                | SOIC         | D               | 8    | 75          | Green (RoHS & no Sb/Br) | CU NIPDAU        | Level-1-260C-UNLIM           |
| UCC2805DTR       | ACTIVE                | SOIC         | D               | 8    | 2500        | Green (RoHS & no Sb/Br) | CU NIPDAU        | Level-1-260C-UNLIM           |
| UCC2805DTRG4     | ACTIVE                | SOIC         | D               | 8    | 2500        | Green (RoHS & no Sb/Br) | CU NIPDAU        | Level-1-260C-UNLIM           |
| UCC2805N         | ACTIVE                | PDIP         | P               | 8    | 50          | Green (RoHS & no Sb/Br) | CU NIPDAU        | N / A for Pkg Type           |
| UCC2805NG4       | ACTIVE                | PDIP         | P               | 8    | 50          | Green (RoHS & no Sb/Br) | CU NIPDAU        | N / A for Pkg Type           |
| UCC2805PW        | ACTIVE                | TSSOP        | PW              | 8    | 150         | Green (RoHS & no Sb/Br) | CU NIPDAU        | Level-2-260C-1 YEAR          |
| UCC2805PWG4      | ACTIVE                | TSSOP        | PW              | 8    | 150         | Green (RoHS & no Sb/Br) | CU NIPDAU        | Level-2-260C-1 YEAR          |
| UCC3800D         | ACTIVE                | SOIC         | D               | 8    | 75          | Green (RoHS & no Sb/Br) | CU NIPDAU        | Level-1-260C-UNLIM           |
| UCC3800DG4       | ACTIVE                | SOIC         | D               | 8    | 75          | Green (RoHS & no Sb/Br) | CU NIPDAU        | Level-1-260C-UNLIM           |
| UCC3800DTR       | ACTIVE                | SOIC         | D               | 8    | 2500        | Green (RoHS & no Sb/Br) | CU NIPDAU        | Level-1-260C-UNLIM           |
| UCC3800DTRG4     | ACTIVE                | SOIC         | D               | 8    | 2500        | Green (RoHS & no Sb/Br) | CU NIPDAU        | Level-1-260C-UNLIM           |
| UCC3800N         | ACTIVE                | PDIP         | P               | 8    | 50          | Green (RoHS & no Sb/Br) | CU NIPDAU        | N / A for Pkg Type           |
| UCC3800NG4       | ACTIVE                | PDIP         | P               | 8    | 50          | Green (RoHS & no Sb/Br) | CU NIPDAU        | N / A for Pkg Type           |
| UCC3800PW        | ACTIVE                | TSSOP        | PW              | 8    | 150         | Green (RoHS & no Sb/Br) | CU NIPDAU        | Level-2-260C-1 YEAR          |
| UCC3800PWG4      | ACTIVE                | TSSOP        | PW              | 8    | 150         | Green (RoHS & no Sb/Br) | CU NIPDAU        | Level-2-260C-1 YEAR          |
| UCC3801D         | ACTIVE                | SOIC         | D               | 8    | 75          | Green (RoHS & no Sb/Br) | CU NIPDAU        | Level-1-260C-UNLIM           |

| Orderable Device | Status <sup>(1)</sup> | Package Type | Package Drawing | Pins | Package Qty | Eco Plan <sup>(2)</sup> | Lead/Ball Finish | MSL Peak Temp <sup>(3)</sup> |
|------------------|-----------------------|--------------|-----------------|------|-------------|-------------------------|------------------|------------------------------|
| UCC3801DG4       | ACTIVE                | SOIC         | D               | 8    | 75          | Green (RoHS & no Sb/Br) | CU NIPDAU        | Level-1-260C-UNLIM           |
| UCC3801DTR       | ACTIVE                | SOIC         | D               | 8    | 2500        | Green (RoHS & no Sb/Br) | CU NIPDAU        | Level-1-260C-UNLIM           |
| UCC3801DTRG4     | ACTIVE                | SOIC         | D               | 8    | 2500        | Green (RoHS & no Sb/Br) | CU NIPDAU        | Level-1-260C-UNLIM           |
| UCC3801N         | ACTIVE                | PDIP         | P               | 8    | 50          | Green (RoHS & no Sb/Br) | CU NIPDAU        | N / A for Pkg Type           |
| UCC3801NG4       | ACTIVE                | PDIP         | P               | 8    | 50          | Green (RoHS & no Sb/Br) | CU NIPDAU        | N / A for Pkg Type           |
| UCC3801PW        | ACTIVE                | TSSOP        | PW              | 8    | 150         | Green (RoHS & no Sb/Br) | Call TI          | Level-2-260C-1 YEAR          |
| UCC3801PWG4      | ACTIVE                | TSSOP        | PW              | 8    | 150         | Green (RoHS & no Sb/Br) | Call TI          | Level-2-260C-1 YEAR          |
| UCC3801PWTR      | ACTIVE                | TSSOP        | PW              | 8    | 2000        | Green (RoHS & no Sb/Br) | CU NIPDAU        | Level-2-260C-1 YEAR          |
| UCC3801PWTRG4    | ACTIVE                | TSSOP        | PW              | 8    | 2000        | Green (RoHS & no Sb/Br) | CU NIPDAU        | Level-2-260C-1 YEAR          |
| UCC3802D         | ACTIVE                | SOIC         | D               | 8    | 75          | Green (RoHS & no Sb/Br) | CU NIPDAU        | Level-1-260C-UNLIM           |
| UCC3802DG4       | ACTIVE                | SOIC         | D               | 8    | 75          | Green (RoHS & no Sb/Br) | CU NIPDAU        | Level-1-260C-UNLIM           |
| UCC3802DTR       | ACTIVE                | SOIC         | D               | 8    | 2500        | Green (RoHS & no Sb/Br) | CU NIPDAU        | Level-1-260C-UNLIM           |
| UCC3802DTRG4     | ACTIVE                | SOIC         | D               | 8    | 2500        | Green (RoHS & no Sb/Br) | CU NIPDAU        | Level-1-260C-UNLIM           |
| UCC3802N         | ACTIVE                | PDIP         | P               | 8    | 50          | Green (RoHS & no Sb/Br) | CU NIPDAU        | N / A for Pkg Type           |
| UCC3802NG4       | ACTIVE                | PDIP         | P               | 8    | 50          | Green (RoHS & no Sb/Br) | CU NIPDAU        | N / A for Pkg Type           |
| UCC3802PW        | ACTIVE                | TSSOP        | PW              | 8    | 150         | Green (RoHS & no Sb/Br) | CU NIPDAU        | Level-2-260C-1 YEAR          |
| UCC3802PWG4      | ACTIVE                | TSSOP        | PW              | 8    | 150         | Green (RoHS & no Sb/Br) | CU NIPDAU        | Level-2-260C-1 YEAR          |
| UCC3803D         | ACTIVE                | SOIC         | D               | 8    | 75          | Green (RoHS & no Sb/Br) | CU NIPDAU        | Level-1-260C-UNLIM           |
| UCC3803DG4       | ACTIVE                | SOIC         | D               | 8    | 75          | Green (RoHS & no Sb/Br) | CU NIPDAU        | Level-1-260C-UNLIM           |
| UCC3803DTR       | ACTIVE                | SOIC         | D               | 8    | 2500        | Green (RoHS & no Sb/Br) | CU NIPDAU        | Level-1-260C-UNLIM           |
| UCC3803DTRG4     | ACTIVE                | SOIC         | D               | 8    | 2500        | Green (RoHS & no Sb/Br) | CU NIPDAU        | Level-1-260C-UNLIM           |
| UCC3803N         | ACTIVE                | PDIP         | P               | 8    | 50          | Green (RoHS & no Sb/Br) | CU NIPDAU        | N / A for Pkg Type           |
| UCC3803NG4       | ACTIVE                | PDIP         | P               | 8    | 50          | Green (RoHS & no Sb/Br) | CU NIPDAU        | N / A for Pkg Type           |
| UCC3803PW        | ACTIVE                | TSSOP        | PW              | 8    | 150         | Green (RoHS & no Sb/Br) | CU NIPDAU        | Level-2-260C-1 YEAR          |
| UCC3803PWG4      | ACTIVE                | TSSOP        | PW              | 8    | 150         | Green (RoHS & no Sb/Br) | CU NIPDAU        | Level-2-260C-1 YEAR          |
| UCC3803PWTR      | ACTIVE                | TSSOP        | PW              | 8    | 2000        | Green (RoHS & no Sb/Br) | CU NIPDAU        | Level-2-260C-1 YEAR          |

| Orderable Device   | Status <sup>(1)</sup> | Package Type | Package Drawing | Pins | Package Qty | Eco Plan <sup>(2)</sup> | Lead/Ball Finish | MSL Peak Temp <sup>(3)</sup> |
|--------------------|-----------------------|--------------|-----------------|------|-------------|-------------------------|------------------|------------------------------|
| UCC3803PWTRG4      | ACTIVE                | TSSOP        | PW              | 8    | 2000        | Green (RoHS & no Sb/Br) | CU NIPDAU        | Level-2-260C-1 YEAR          |
| UCC3804D           | ACTIVE                | SOIC         | D               | 8    | 75          | Green (RoHS & no Sb/Br) | CU NIPDAU        | Level-1-260C-UNLIM           |
| UCC3804DG4         | ACTIVE                | SOIC         | D               | 8    | 75          | Green (RoHS & no Sb/Br) | CU NIPDAU        | Level-1-260C-UNLIM           |
| UCC3804DTR         | ACTIVE                | SOIC         | D               | 8    | 2500        | Green (RoHS & no Sb/Br) | CU NIPDAU        | Level-1-260C-UNLIM           |
| UCC3804DTRG4       | ACTIVE                | SOIC         | D               | 8    | 2500        | Green (RoHS & no Sb/Br) | CU NIPDAU        | Level-1-260C-UNLIM           |
| UCC3804N           | ACTIVE                | PDIP         | P               | 8    | 50          | Green (RoHS & no Sb/Br) | CU NIPDAU        | N / A for Pkg Type           |
| UCC3804NG4         | ACTIVE                | PDIP         | P               | 8    | 50          | Green (RoHS & no Sb/Br) | CU NIPDAU        | N / A for Pkg Type           |
| UCC3804PW          | ACTIVE                | TSSOP        | PW              | 8    | 150         | Green (RoHS & no Sb/Br) | CU NIPDAU        | Level-2-260C-1 YEAR          |
| UCC3804PWG4        | ACTIVE                | TSSOP        | PW              | 8    | 150         | Green (RoHS & no Sb/Br) | CU NIPDAU        | Level-2-260C-1 YEAR          |
| UCC3804PWTR        | ACTIVE                | TSSOP        | PW              | 8    | 2000        | Green (RoHS & no Sb/Br) | CU NIPDAU        | Level-2-260C-1 YEAR          |
| UCC3804PWTRG4      | ACTIVE                | TSSOP        | PW              | 8    | 2000        | Green (RoHS & no Sb/Br) | CU NIPDAU        | Level-2-260C-1 YEAR          |
| UCC3805D           | ACTIVE                | SOIC         | D               | 8    | 75          | Green (RoHS & no Sb/Br) | CU NIPDAU        | Level-1-260C-UNLIM           |
| UCC3805DG4         | ACTIVE                | SOIC         | D               | 8    | 75          | Green (RoHS & no Sb/Br) | CU NIPDAU        | Level-1-260C-UNLIM           |
| UCC3805DTR         | ACTIVE                | SOIC         | D               | 8    | 2500        | Green (RoHS & no Sb/Br) | CU NIPDAU        | Level-1-260C-UNLIM           |
| UCC3805DTR/81222G4 | PREVIEW               | SOIC         | D               | 8    |             | Green (RoHS & no Sb/Br) | CU NIPDAU        | Level-1-260C-UNLIM           |
| UCC3805DTRG4       | ACTIVE                | SOIC         | D               | 8    | 2500        | Green (RoHS & no Sb/Br) | CU NIPDAU        | Level-1-260C-UNLIM           |
| UCC3805N           | ACTIVE                | PDIP         | P               | 8    | 50          | Green (RoHS & no Sb/Br) | CU NIPDAU        | N / A for Pkg Type           |
| UCC3805NG4         | ACTIVE                | PDIP         | P               | 8    | 50          | Green (RoHS & no Sb/Br) | CU NIPDAU        | N / A for Pkg Type           |
| UCC3805PW          | ACTIVE                | TSSOP        | PW              | 8    | 150         | Green (RoHS & no Sb/Br) | CU NIPDAU        | Level-2-260C-1 YEAR          |
| UCC3805PWG4        | ACTIVE                | TSSOP        | PW              | 8    | 150         | Green (RoHS & no Sb/Br) | CU NIPDAU        | Level-2-260C-1 YEAR          |

<sup>(1)</sup> The marketing status values are defined as follows:

**ACTIVE:** Product device recommended for new designs.

**LIFEBUY:** TI has announced that the device will be discontinued, and a lifetime-buy period is in effect.

**NRND:** Not recommended for new designs. Device is in production to support existing customers, but TI does not recommend using this part in a new design.

**PREVIEW:** Device has been announced but is not in production. Samples may or may not be available.

**OBSOLETE:** TI has discontinued the production of the device.

<sup>(2)</sup> Eco Plan - The planned eco-friendly classification: Pb-Free (RoHS), Pb-Free (RoHS Exempt), or Green (RoHS & no Sb/Br) - please check <http://www.ti.com/productcontent> for the latest availability information and additional product content details.

**TBD:** The Pb-Free/Green conversion plan has not been defined.

**Pb-Free (RoHS):** TI's terms "Lead-Free" or "Pb-Free" mean semiconductor products that are compatible with the current RoHS requirements for all 6 substances, including the requirement that lead not exceed 0.1% by weight in homogeneous materials. Where designed to be soldered

at high temperatures, TI Pb-Free products are suitable for use in specified lead-free processes.

**Pb-Free (RoHS Exempt):** This component has a RoHS exemption for either 1) lead-based flip-chip solder bumps used between the die and package, or 2) lead-based die adhesive used between the die and leadframe. The component is otherwise considered Pb-Free (RoHS compatible) as defined above.

**Green (RoHS & no Sb/Br):** TI defines "Green" to mean Pb-Free (RoHS compatible), and free of Bromine (Br) and Antimony (Sb) based flame retardants (Br or Sb do not exceed 0.1% by weight in homogeneous material)

<sup>(3)</sup> MSL, Peak Temp. -- The Moisture Sensitivity Level rating according to the JEDEC industry standard classifications, and peak solder temperature.

**Important Information and Disclaimer:**The information provided on this page represents TI's knowledge and belief as of the date that it is provided. TI bases its knowledge and belief on information provided by third parties, and makes no representation or warranty as to the accuracy of such information. Efforts are underway to better integrate information from third parties. TI has taken and continues to take reasonable steps to provide representative and accurate information but may not have conducted destructive testing or chemical analysis on incoming materials and chemicals. TI and TI suppliers consider certain information to be proprietary, and thus CAS numbers and other limited information may not be available for release.

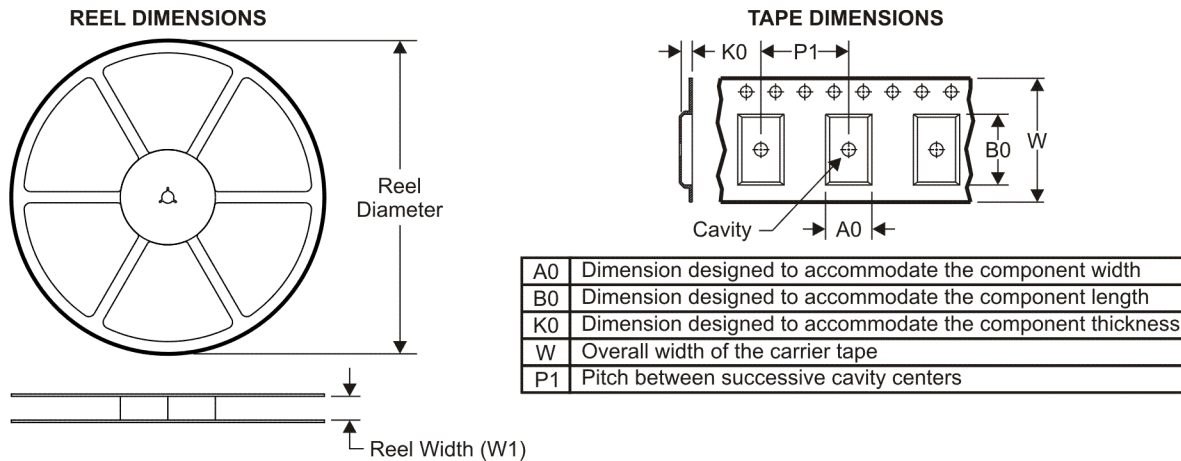
In no event shall TI's liability arising out of such information exceed the total purchase price of the TI part(s) at issue in this document sold by TI to Customer on an annual basis.

**OTHER QUALIFIED VERSIONS OF UCC1800, UCC1801, UCC1802, UCC1803, UCC1804, UCC1805, UCC1805-SP, UCC2800, UCC2801, UCC2802, UCC2802M, UCC2803, UCC2803M, UCC2804, UCC2805, UCC3800, UCC3801, UCC3802, UCC3803, UCC3804, UCC3805 :**

- Automotive: [UCC2800-Q1](#), [UCC2801-Q1](#), [UCC2802-Q1](#), [UCC2803-Q1](#), [UCC2804-Q1](#), [UCC2805-Q1](#)
- Enhanced Product: [UCC2800-EP](#), [UCC2801-EP](#), [UCC2802-EP](#), [UCC2803-EP](#), [UCC2804-EP](#), [UCC2805-EP](#)

NOTE: Qualified Version Definitions:

- Automotive - Q100 devices qualified for high-reliability automotive applications targeting zero defects
- Enhanced Product - Supports Defense, Aerospace and Medical Applications

**TAPE AND REEL INFORMATION**

**QUADRANT ASSIGNMENTS FOR PIN 1 ORIENTATION IN TAPE**


\*All dimensions are nominal

| Device      | Package Type | Package Drawing | Pins | SPQ  | Reel Diameter (mm) | Reel Width W1 (mm) | A0 (mm) | B0 (mm) | K0 (mm) | P1 (mm) | W (mm) | Pin1 Quadrant |
|-------------|--------------|-----------------|------|------|--------------------|--------------------|---------|---------|---------|---------|--------|---------------|
| UCC2800DTR  | SOIC         | D               | 8    | 2500 | 330.0              | 12.4               | 6.4     | 5.2     | 2.1     | 8.0     | 12.0   | Q1            |
| UCC2801DTR  | SOIC         | D               | 8    | 2500 | 330.0              | 12.4               | 6.4     | 5.2     | 2.1     | 8.0     | 12.0   | Q1            |
| UCC2802DTR  | SOIC         | D               | 8    | 2500 | 330.0              | 12.4               | 6.4     | 5.2     | 2.1     | 8.0     | 12.0   | Q1            |
| UCC2803DTR  | SOIC         | D               | 8    | 2500 | 330.0              | 12.4               | 6.4     | 5.2     | 2.1     | 8.0     | 12.0   | Q1            |
| UCC2803PWTR | TSSOP        | PW              | 8    | 2000 | 330.0              | 12.4               | 7.0     | 3.6     | 1.6     | 8.0     | 12.0   | Q1            |
| UCC2804DTR  | SOIC         | D               | 8    | 2500 | 330.0              | 12.4               | 6.4     | 5.2     | 2.1     | 8.0     | 12.0   | Q1            |
| UCC2804PWTR | TSSOP        | PW              | 8    | 2000 | 330.0              | 12.4               | 7.0     | 3.6     | 1.6     | 8.0     | 12.0   | Q1            |
| UCC2805DTR  | SOIC         | D               | 8    | 2500 | 330.0              | 12.4               | 6.4     | 5.2     | 2.1     | 8.0     | 12.0   | Q1            |
| UCC3800DTR  | SOIC         | D               | 8    | 2500 | 330.0              | 12.4               | 6.4     | 5.2     | 2.1     | 8.0     | 12.0   | Q1            |
| UCC3801DTR  | SOIC         | D               | 8    | 2500 | 330.0              | 12.4               | 6.4     | 5.2     | 2.1     | 8.0     | 12.0   | Q1            |
| UCC3801PWTR | TSSOP        | PW              | 8    | 2000 | 330.0              | 12.4               | 7.0     | 3.6     | 1.6     | 8.0     | 12.0   | Q1            |
| UCC3802DTR  | SOIC         | D               | 8    | 2500 | 330.0              | 12.4               | 6.4     | 5.2     | 2.1     | 8.0     | 12.0   | Q1            |
| UCC3803DTR  | SOIC         | D               | 8    | 2500 | 330.0              | 12.4               | 6.4     | 5.2     | 2.1     | 8.0     | 12.0   | Q1            |
| UCC3803PWTR | TSSOP        | PW              | 8    | 2000 | 330.0              | 12.4               | 7.0     | 3.6     | 1.6     | 8.0     | 12.0   | Q1            |
| UCC3804DTR  | SOIC         | D               | 8    | 2500 | 330.0              | 12.4               | 6.4     | 5.2     | 2.1     | 8.0     | 12.0   | Q1            |
| UCC3804PWTR | TSSOP        | PW              | 8    | 2000 | 330.0              | 12.4               | 7.0     | 3.6     | 1.6     | 8.0     | 12.0   | Q1            |
| UCC3805DTR  | SOIC         | D               | 8    | 2500 | 330.0              | 12.4               | 6.4     | 5.2     | 2.1     | 8.0     | 12.0   | Q1            |

**TAPE AND REEL BOX DIMENSIONS**


\*All dimensions are nominal

| Device      | Package Type | Package Drawing | Pins | SPQ  | Length (mm) | Width (mm) | Height (mm) |
|-------------|--------------|-----------------|------|------|-------------|------------|-------------|
| UCC2800DTR  | SOIC         | D               | 8    | 2500 | 340.5       | 338.1      | 20.6        |
| UCC2801DTR  | SOIC         | D               | 8    | 2500 | 340.5       | 338.1      | 20.6        |
| UCC2802DTR  | SOIC         | D               | 8    | 2500 | 340.5       | 338.1      | 20.6        |
| UCC2803DTR  | SOIC         | D               | 8    | 2500 | 340.5       | 338.1      | 20.6        |
| UCC2803PWTR | TSSOP        | PW              | 8    | 2000 | 346.0       | 346.0      | 29.0        |
| UCC2804DTR  | SOIC         | D               | 8    | 2500 | 340.5       | 338.1      | 20.6        |
| UCC2804PWTR | TSSOP        | PW              | 8    | 2000 | 346.0       | 346.0      | 29.0        |
| UCC2805DTR  | SOIC         | D               | 8    | 2500 | 340.5       | 338.1      | 20.6        |
| UCC3800DTR  | SOIC         | D               | 8    | 2500 | 340.5       | 338.1      | 20.6        |
| UCC3801DTR  | SOIC         | D               | 8    | 2500 | 340.5       | 338.1      | 20.6        |
| UCC3801PWTR | TSSOP        | PW              | 8    | 2000 | 346.0       | 346.0      | 29.0        |
| UCC3802DTR  | SOIC         | D               | 8    | 2500 | 340.5       | 338.1      | 20.6        |
| UCC3803DTR  | SOIC         | D               | 8    | 2500 | 340.5       | 338.1      | 20.6        |
| UCC3803PWTR | TSSOP        | PW              | 8    | 2000 | 346.0       | 346.0      | 29.0        |
| UCC3804DTR  | SOIC         | D               | 8    | 2500 | 340.5       | 338.1      | 20.6        |
| UCC3804PWTR | TSSOP        | PW              | 8    | 2000 | 346.0       | 346.0      | 29.0        |
| UCC3805DTR  | SOIC         | D               | 8    | 2500 | 340.5       | 338.1      | 20.6        |

PW (R-PDSO-G\*\*)

PLASTIC SMALL-OUTLINE PACKAGE

14 PINS SHOWN



4040064/F 01/97

- NOTES: A. All linear dimensions are in millimeters.  
 B. This drawing is subject to change without notice.  
 C. Body dimensions do not include mold flash or protrusion not to exceed 0,15.  
 D. Falls within JEDEC MO-153

FK (S-CQCC-N\*\*)

LEADLESS CERAMIC CHIP CARRIER

28 TERMINAL SHOWN

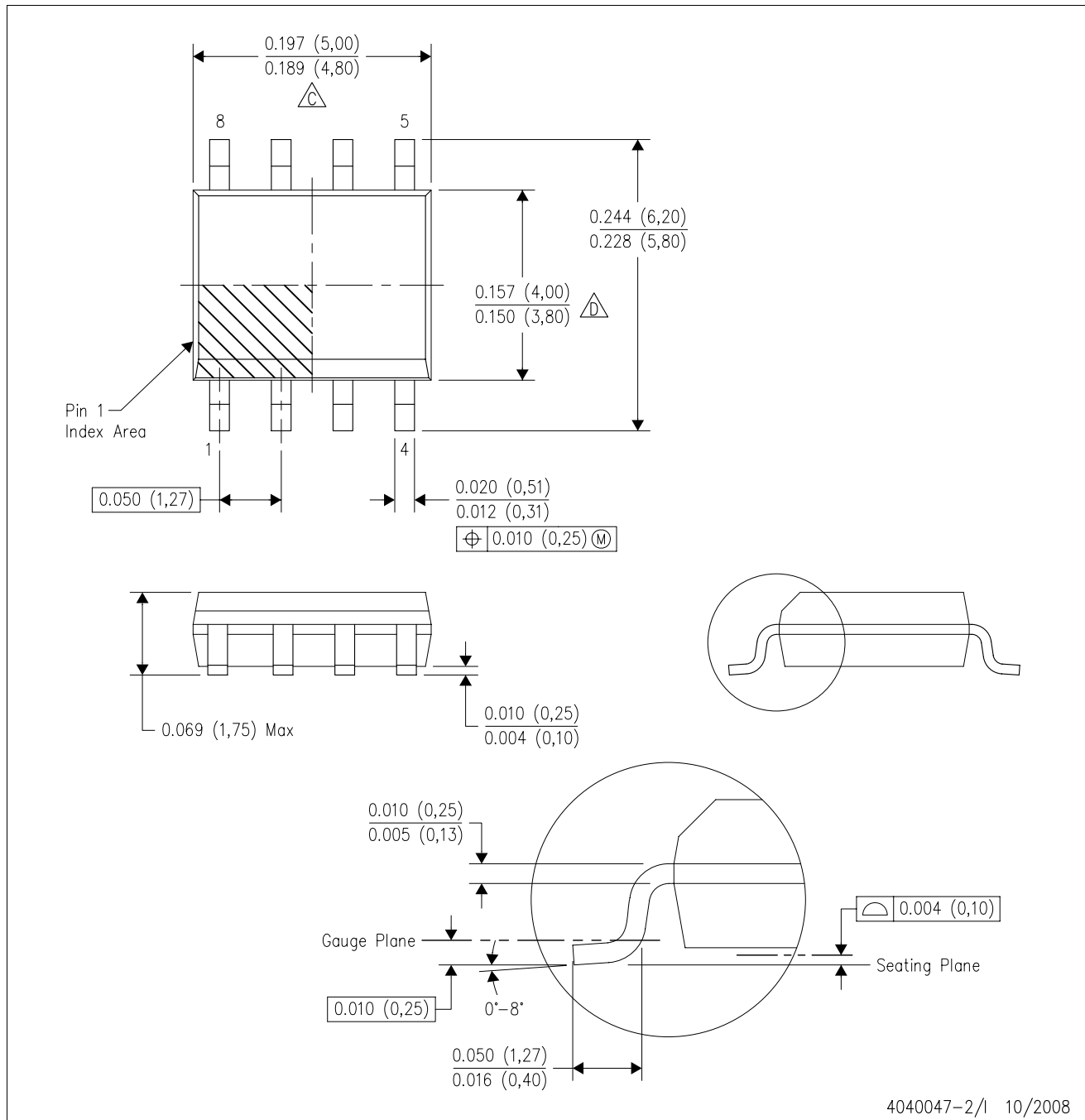


4040140/D 10/96

- NOTES:
- A. All linear dimensions are in inches (millimeters).
  - B. This drawing is subject to change without notice.
  - C. This package can be hermetically sealed with a metal lid.
  - D. The terminals are gold plated.
  - E. Falls within JEDEC MS-004

D (R-PDSO-G8)

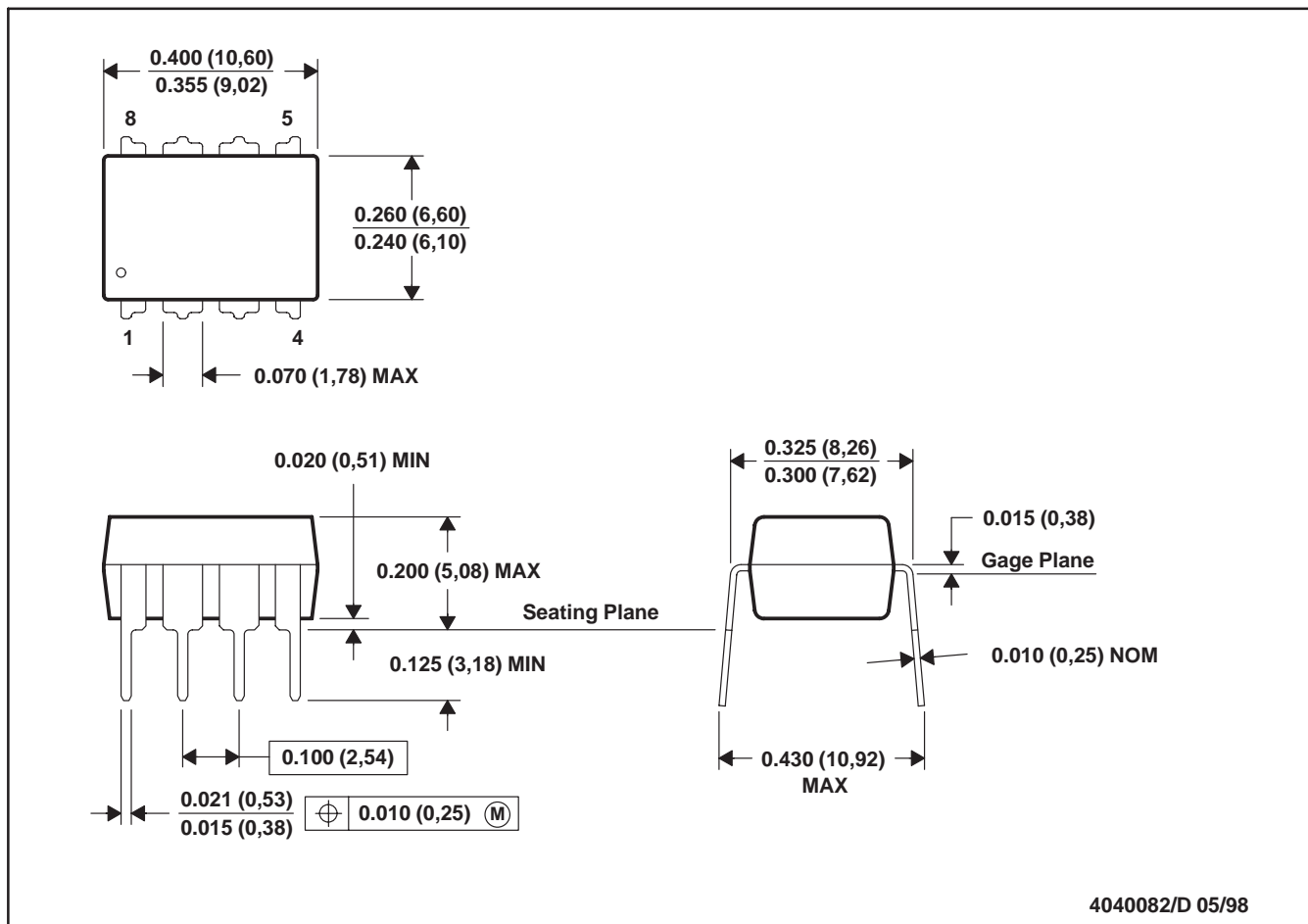
PLASTIC SMALL-OUTLINE PACKAGE



NOTES: A. All linear dimensions are in inches (millimeters).  
 B. This drawing is subject to change without notice.  
 C. Body length does not include mold flash, protrusions, or gate burrs. Mold flash, protrusions, or gate burrs shall not exceed .006 (0,15) per end.  
 D. Body width does not include interlead flash. Interlead flash shall not exceed .017 (0,43) per side.  
 E. Reference JEDEC MS-012 variation AA.

P (R-PDIP-T8)

PLASTIC DUAL-IN-LINE



4040082/D 05/98

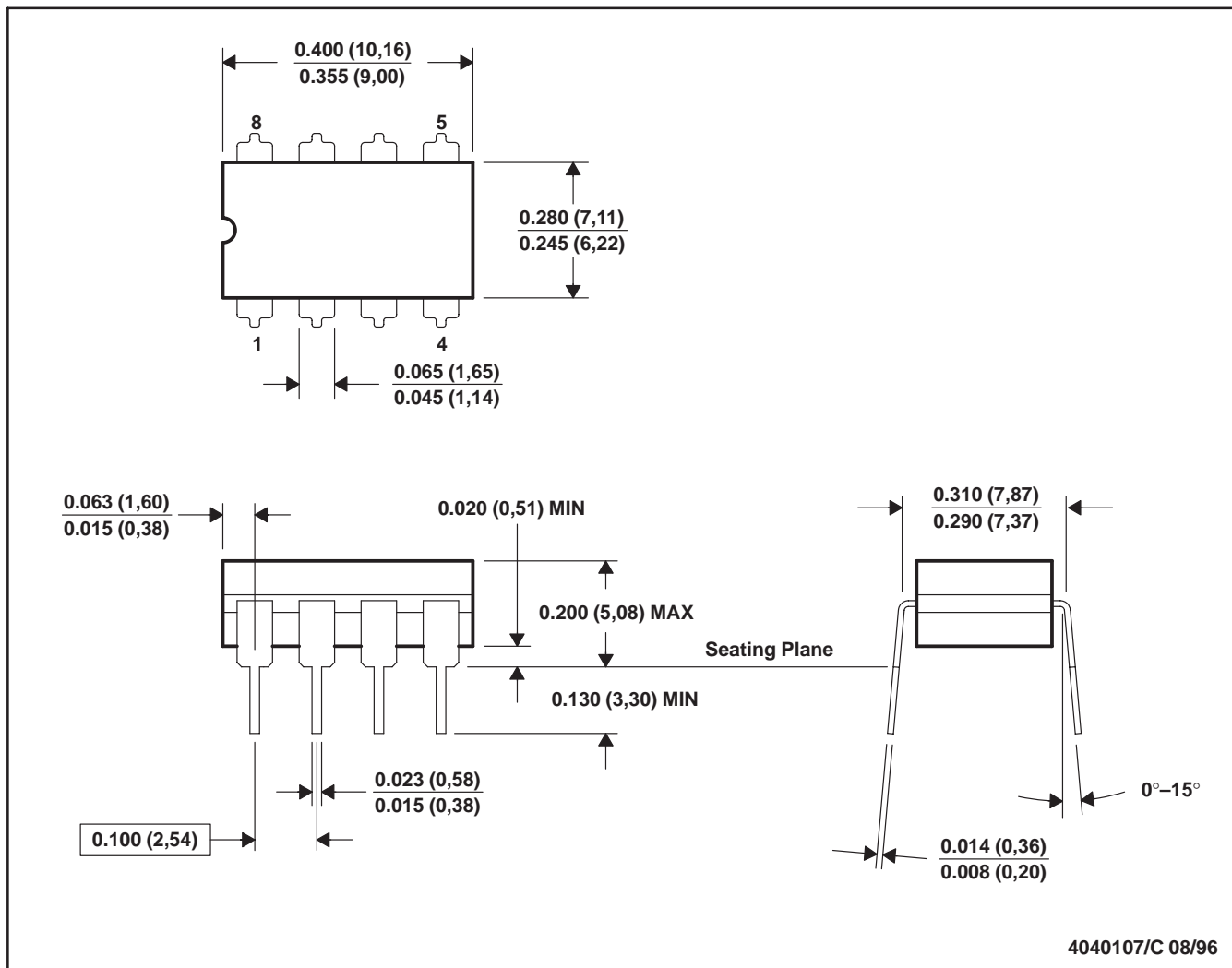
- NOTES: A. All linear dimensions are in inches (millimeters).  
 B. This drawing is subject to change without notice.  
 C. Falls within JEDEC MS-001

For the latest package information, go to [http://www.ti.com/sc/docs/package/pkg\\_info.htm](http://www.ti.com/sc/docs/package/pkg_info.htm)



JG (R-GDIP-T8)

CERAMIC DUAL-IN-LINE



4040107/C 08/96

- NOTES: A. All linear dimensions are in inches (millimeters).  
 B. This drawing is subject to change without notice.  
 C. This package can be hermetically sealed with a ceramic lid using glass frit.  
 D. Index point is provided on cap for terminal identification.  
 E. Falls within MIL STD 1835 GDIP1-T8

## IMPORTANT NOTICE

Texas Instruments Incorporated and its subsidiaries (TI) reserve the right to make corrections, modifications, enhancements, improvements, and other changes to its products and services at any time and to discontinue any product or service without notice. Customers should obtain the latest relevant information before placing orders and should verify that such information is current and complete. All products are sold subject to TI's terms and conditions of sale supplied at the time of order acknowledgment.

TI warrants performance of its hardware products to the specifications applicable at the time of sale in accordance with TI's standard warranty. Testing and other quality control techniques are used to the extent TI deems necessary to support this warranty. Except where mandated by government requirements, testing of all parameters of each product is not necessarily performed.

TI assumes no liability for applications assistance or customer product design. Customers are responsible for their products and applications using TI components. To minimize the risks associated with customer products and applications, customers should provide adequate design and operating safeguards.

TI does not warrant or represent that any license, either express or implied, is granted under any TI patent right, copyright, mask work right, or other TI intellectual property right relating to any combination, machine, or process in which TI products or services are used. Information published by TI regarding third-party products or services does not constitute a license from TI to use such products or services or a warranty or endorsement thereof. Use of such information may require a license from a third party under the patents or other intellectual property of the third party, or a license from TI under the patents or other intellectual property of TI.

Reproduction of TI information in TI data books or data sheets is permissible only if reproduction is without alteration and is accompanied by all associated warranties, conditions, limitations, and notices. Reproduction of this information with alteration is an unfair and deceptive business practice. TI is not responsible or liable for such altered documentation. Information of third parties may be subject to additional restrictions.

Resale of TI products or services with statements different from or beyond the parameters stated by TI for that product or service voids all express and any implied warranties for the associated TI product or service and is an unfair and deceptive business practice. TI is not responsible or liable for any such statements.

TI products are not authorized for use in safety-critical applications (such as life support) where a failure of the TI product would reasonably be expected to cause severe personal injury or death, unless officers of the parties have executed an agreement specifically governing such use. Buyers represent that they have all necessary expertise in the safety and regulatory ramifications of their applications, and acknowledge and agree that they are solely responsible for all legal, regulatory and safety-related requirements concerning their products and any use of TI products in such safety-critical applications, notwithstanding any applications-related information or support that may be provided by TI. Further, Buyers must fully indemnify TI and its representatives against any damages arising out of the use of TI products in such safety-critical applications.

TI products are neither designed nor intended for use in military/aerospace applications or environments unless the TI products are specifically designated by TI as military-grade or "enhanced plastic." Only products designated by TI as military-grade meet military specifications. Buyers acknowledge and agree that any such use of TI products which TI has not designated as military-grade is solely at the Buyer's risk, and that they are solely responsible for compliance with all legal and regulatory requirements in connection with such use.

TI products are neither designed nor intended for use in automotive applications or environments unless the specific TI products are designated by TI as compliant with ISO/TS 16949 requirements. Buyers acknowledge and agree that, if they use any non-designated products in automotive applications, TI will not be responsible for any failure to meet such requirements.

Following are URLs where you can obtain information on other Texas Instruments products and application solutions:

### Products

|                             |  |
|-----------------------------|--|
| Amplifiers                  | <a href="http://amplifier.ti.com">amplifier.ti.com</a>             |
| Data Converters             | <a href="http://dataconverter.ti.com">dataconverter.ti.com</a>     |
| DLP® Products               | <a href="http://www.dlp.com">www.dlp.com</a>                       |
| DSP                         | <a href="http://dsp.ti.com">dsp.ti.com</a>                         |
| Clocks and Timers           | <a href="http://www.ti.com/clocks">www.ti.com/clocks</a>           |
| Interface                   | <a href="http://interface.ti.com">interface.ti.com</a>             |
| Logic                       | <a href="http://logic.ti.com">logic.ti.com</a>                     |
| Power Mgmt                  | <a href="http://power.ti.com">power.ti.com</a>                     |
| Microcontrollers            | <a href="http://microcontroller.ti.com">microcontroller.ti.com</a> |
| RFID                        | <a href="http://www.ti-rfid.com">www.ti-rfid.com</a>               |
| RF/IF and ZigBee® Solutions | <a href="http://www.ti.com/lprf">www.ti.com/lprf</a>               |

### Applications

|                    |  |
|--------------------|--|
| Audio              | <a href="http://www.ti.com/audio">www.ti.com/audio</a>                   |
| Automotive         | <a href="http://www.ti.com/automotive">www.ti.com/automotive</a>         |
| Broadband          | <a href="http://www.ti.com/broadband">www.ti.com/broadband</a>           |
| Digital Control    | <a href="http://www.ti.com/digitalcontrol">www.ti.com/digitalcontrol</a> |
| Medical            | <a href="http://www.ti.com/medical">www.ti.com/medical</a>               |
| Military           | <a href="http://www.ti.com/military">www.ti.com/military</a>             |
| Optical Networking | <a href="http://www.ti.com/opticalnetwork">www.ti.com/opticalnetwork</a> |
| Security           | <a href="http://www.ti.com/security">www.ti.com/security</a>             |
| Telephony          | <a href="http://www.ti.com/telephony">www.ti.com/telephony</a>           |
| Video & Imaging    | <a href="http://www.ti.com/video">www.ti.com/video</a>                   |
| Wireless           | <a href="http://www.ti.com/wireless">www.ti.com/wireless</a>             |

Mailing Address: Texas Instruments, Post Office Box 655303, Dallas, Texas 75265  
Copyright © 2009, Texas Instruments Incorporated