

# CDx4HC165、CDx4HCT165 高速 CMOS 逻辑 8 位并行输入/串行输出移位寄存器

## 1 特性

- 缓冲输入
- 异步并行负载
- 互补输出
- 扇出 (在温度范围内)
  - 标准输出: 10 个 LSTTL 负载
  - 总线驱动器输出: 15 个 LSTTL 负载
- 宽工作温度范围:  $-55^{\circ}\text{C}$  至  $125^{\circ}\text{C}$
- 平衡的传播延迟及转换时间
- 与 LSTTL 逻辑 IC 相比, 可显著降低功耗
- HC 类型
  - 2 V 至 6 V 工作电压
  - 高抗噪性: 当  $V_{\text{CC}} = 5\text{V}$  时,  $N_{\text{IL}} = 30\%$ ,  $N_{\text{IH}} = V_{\text{CC}}$  的 30%
- HCT 类型
  - 4.5 V 至 5.5 V 工作电压
  - 直接 LSTTL 输入逻辑兼容性,  $V_{\text{IL}} = 0.8\text{V}$  (最大值),  $V_{\text{IH}} = 2\text{V}$  (最小值)
  - CMOS 输入兼容性, 当电压为  $V_{\text{OL}}$ 、 $V_{\text{OH}}$  时,  $I_{\text{I}} \leq 1\mu\text{A}$

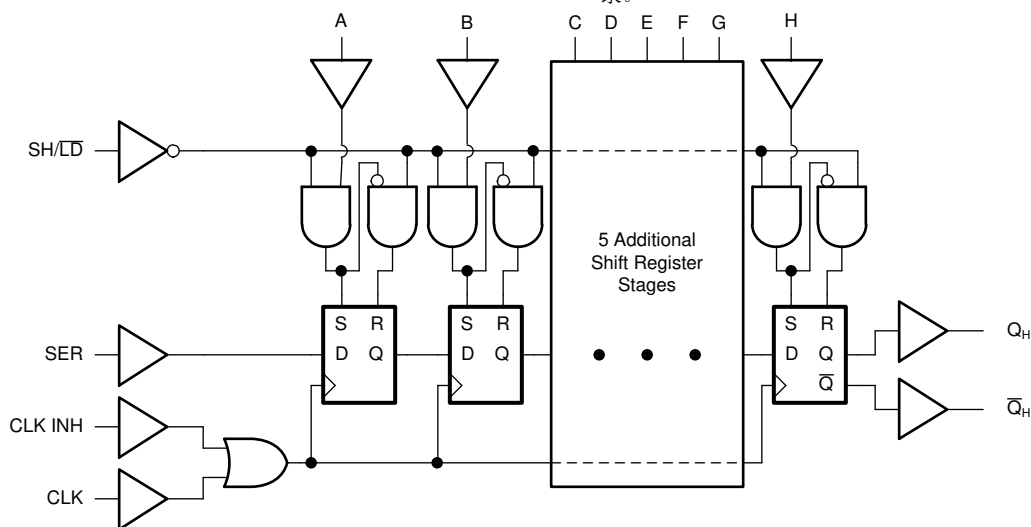
## 2 说明

'HC165 和 'HCT165 是具有最后一位提供的辅助串行输出 ( $Q_{\text{H}}$  和  $\overline{Q}_{\text{H}}$ ) 的 8 位并行或串行输入移位寄存器。当并行负载 ( $\text{SH}/\overline{\text{LD}}$ ) 输入为低电平时, 会以异步方式将从 A 输入到 H 输入的并行数据加载到寄存器中。当  $\text{SH}/\overline{\text{LD}}$  为高电平时, 数据会在 SER 输入端以串行方式输入寄存器, 并通过每个正向时钟转换向右移动一个位置 (A→B→C 等)。此特性通过将  $Q_{\text{H}}$  输出连接到后一器件的 SER 输入来实现并行至串行转换器扩展。

器件信息

器件型号	封装 <sup>(1)</sup>	封装尺寸 (标称值)
CD54HC165F3A	陶瓷双列直插封装 (CDIP) (16)	24.38mm × 6.92mm
CD74HC165M	SOIC (16)	9.90mm × 3.90mm
CD74HC165E	PDIP (16)	19.31mm × 6.35mm
CD54HCT165F3A	陶瓷双列直插封装 (CDIP) (16)	24.38mm × 6.92mm
CD74HCT165M	SOIC (16)	9.90mm × 3.90mm
CD74HCT165E	PDIP (16)	19.31mm × 6.35mm

(1) 如需了解所有可用封装, 请参阅数据表末尾的可订购产品附录。



功能图

## Table of Contents

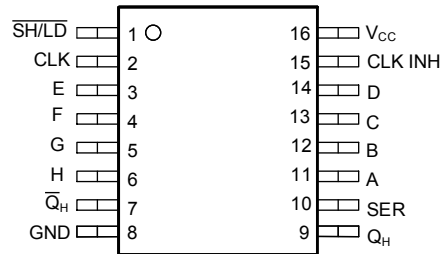
<b>1 特性</b> .....	1	7.2 Functional Block Diagram.....	10
<b>2 说明</b> .....	1	7.3 Device Functional Modes.....	10
<b>3 Revision History</b> .....	2	<b>8 Power Supply Recommendations</b> .....	11
<b>4 Pin Configuration and Functions</b> .....	3	<b>9 Layout</b> .....	11
<b>5 Specifications</b> .....	4	9.1 Layout Guidelines.....	11
5.1 Absolute Maximum Ratings.....	4	<b>10 Device and Documentation Support</b> .....	12
5.2 Recommended Operating Conditions.....	4	10.1 接收文档更新通知.....	12
5.3 Thermal Information.....	4	10.2 支持资源.....	12
5.4 Electrical Characteristics.....	5	10.3 Trademarks.....	12
5.5 Prerequisite for Switching Characteristics.....	6	10.4 Electrostatic Discharge Caution.....	12
5.6 Switching Characteristics.....	7	10.5 术语表.....	12
<b>6 Parameter Measurement Information</b> .....	8	<b>11 Mechanical, Packaging, and Orderable Information</b> .....	12
<b>7 Detailed Description</b> .....	10		
7.1 Overview.....	10		

## 3 Revision History

注：以前版本的页码可能与当前版本的页码不同

<b>Changes from Revision C (October 2003) to Revision D (November 2021)</b>	<b>Page</b>
• 更新了整个文档中的编号、格式、表格、图和交叉参考，以反映现代数据表标准.....	1
• 更新了引脚名称，以符合现行的 TI 命名约定 $\overline{PL}$ 现在为 $\overline{SH/LD}$ ，CP 现在为 CLK，D4 现在为 E，D5 现在为 F，D6 现在为 G，D7 现在为 H， $\overline{Q}_7$ 现在为 $\overline{Q}_H$ ， $Q_7$ 现在为 $Q_H$ ，DS 现在为 SER，D0 现在为 A，D1 现在为 B，D2 现在为 C，D3 现在为 D， $\overline{CE}$ 现在为 CLK INH.....	1

## 4 Pin Configuration and Functions



**J, N, or D package**  
**16-Pin CDIP, PDIP, SOIC**  
**Top View**

## 5 Specifications

### 5.1 Absolute Maximum Ratings

over operating free-air temperature range (unless otherwise noted)<sup>(1)</sup>

		MIN	MAX	UNIT
V <sub>CC</sub>	Supply voltage	- 0.5	7	V
I <sub>IK</sub>	Input diode current	For V <sub>I</sub> < -0.5 V or V <sub>I</sub> > V <sub>CC</sub> + 0.5 V		±20 mA
I <sub>OK</sub>	Output diode current	For V <sub>O</sub> < -0.5 V or V <sub>O</sub> > V <sub>CC</sub> + 0.5 V		±20 mA
I <sub>O</sub>	Drain current per output	For V <sub>O</sub> < -0.5 V or V <sub>O</sub> > V <sub>CC</sub> + 0.5 V		±25 mA
I <sub>O</sub>	Output source or sink current per output pin	For V <sub>O</sub> > -0.5 V or V <sub>O</sub> < V <sub>CC</sub> + 0.5 V		±25 mA
	Continuous current through V <sub>CC</sub> or GND			±50 mA
T <sub>J</sub>	Junction temperature			150 °C
T <sub>stg</sub>	Storage temperature	-65	150	°C
	Lead temperature (Soldering 10s) (SOIC- Lead tips only)			300 °C

- (1) Stresses beyond those listed under *absolute maximum ratings* may cause permanent damage to the device. These are stress ratings only and functional operation of the device at these or any other conditions beyond those indicated under *recommended operating conditions* is not implied. Exposure to absolute-maximum-rated conditions for extended periods may affect device reliability.

### 5.2 Recommended Operating Conditions

		MIN	MAX	UNIT	
V <sub>CC</sub>	Supply voltage range	HC Types	2	6	V
		HCT Types	4.5	5.5	
V <sub>I</sub> , V <sub>O</sub>	Input or output voltage	0	V <sub>CC</sub>	V	
t <sub>t</sub>	Input rise and fall time	2 V	1000		ns
		4.5 V	500		
		6 V	400		
T <sub>A</sub>	Temperature range	- 55	125	°C	

### 5.3 Thermal Information

THERMAL METRIC		CD74HC165, CD74HCT165		UNIT
		D (SOIC)	N (PDIP)	
		16 PINS	16 PINS	
R <sub>θJA</sub>	Junction-to-ambient thermal resistance <sup>(1)</sup>	73	67	°C/W

- (1) For more information about traditional and new thermal metrics, see the [Semiconductor and IC package thermal metrics](#) application report.

## 5.4 Electrical Characteristics

PARAMETER		TEST CONDITIONS <sup>(2)</sup>	V <sub>CC</sub> (V)	25°C			-40°C to 85°C		-55°C to 125°C		UNIT
				MIN	TYP	MAX	MIN	MAX	MIN	MAX	
<b>HC TYPES</b>											
V <sub>IH</sub>	High level input voltage		2	1.5			1.5		1.5		V
			4.5	3.15			3.15		3.15		V
			6	4.2			4.2		4.2		V
V <sub>IL</sub>	Low level input voltage		2	0.5			0.5		0.5		V
			4.5	1.35			1.35		1.35		V
			6	1.8			1.8		1.8		V
V <sub>OH</sub>	High level output voltage	I <sub>OH</sub> = - 20 μA	2	1.9			1.9		1.9		V
		I <sub>OH</sub> = - 20 μA	4.5	4.4			4.4		4.4		V
		I <sub>OH</sub> = - 20 μA	6	5.9			5.9		5.9		V
	High level output voltage	I <sub>OH</sub> = - 4 mA	4.5	3.98			3.84		3.7		V
		I <sub>OH</sub> = - 5.2 mA	6	5.48			5.34		5.2		V
V <sub>OL</sub>	Low level output voltage	I <sub>OL</sub> = 20 μA	2	0.1			0.1		0.1		V
		I <sub>OL</sub> = 20 μA	4.5	0.1			0.1		0.1		V
		I <sub>OL</sub> = 20 μA	6	0.1			0.1		0.1		V
	Low level output voltage	I <sub>OL</sub> = 4 mA	4.5	0.26			0.33		0.4		V
		I <sub>OL</sub> = 5.2 mA	6	0.26			0.33		0.4		V
I <sub>I</sub>	Input leakage current	V <sub>I</sub> = V <sub>CC</sub> or GND	6	±0.1			±1		±1		μA
I <sub>CC</sub>	Supply current	V <sub>I</sub> = V <sub>CC</sub> or GND	6	8			80		160		μA
<b>HCT TYPES</b>											
V <sub>IH</sub>	High level input voltage		4.5 to 5.5	2			2		2		V
V <sub>IL</sub>	Low level input voltage		4.5 to 5.5	0.8			0.8		0.8		V
V <sub>OH</sub>	High level output voltage	I <sub>OH</sub> = - 20 μA	4.5	4.4			4.4		4.4		V
	High level output voltage	I <sub>OH</sub> = - 4 mA	4.5	3.98			3.84		3.7		V
V <sub>OL</sub>	Low level output voltage	I <sub>OL</sub> = 20 μA	4.5	0.1			0.1		0.1		V
	Low level output voltage	I <sub>OL</sub> = 4 mA	4.5	0.26			0.33		0.4		V
I <sub>I</sub>	Input leakage current	V <sub>I</sub> = V <sub>CC</sub> or GND	5.5	±0.1			±1		±1		μA
I <sub>CC</sub>	Supply current	V <sub>I</sub> = V <sub>CC</sub> or GND	5.5	8			80		160		μA
Δ I <sub>CC</sub> <sup>(1)</sup>	Additional quiescent device current per input pin	SER, A to H inputs held at V <sub>CC</sub> - 2.1	4.5 to 5.5	100 126			157.5		171.5		μA
		CLK and SH/LD inputs held at V <sub>CC</sub> - 2.1	4.5 to 5.5	100 234			292.5		318.5		

(1) For dual-supply systems theoretical worst case (V<sub>I</sub> = 2.4 V, V<sub>CC</sub> = 5.5 V) specification is 1.8 mA.

(2) V<sub>I</sub> = V<sub>IH</sub> or V<sub>IL</sub>.

### 5.5 Prerequisite for Switching Characteristics

PARAMETER		V <sub>CC</sub> (V)	25°C		-40°C to 85°C		-55°C to 125°C		UNIT
			MIN	MAX	MIN	MAX	MIN	MAX	
t <sub>WL</sub> , t <sub>WH</sub>	CLK Pulse Width	2	80		100		120	ns	
		4.5	16		20		24		
		6	14		17		20		
t <sub>WL</sub>	SH/LD Pulse Width	2	80		100		120	ns	
		4.5	16		20		24		
		6	14		17		20		
t <sub>SU</sub>	Set-up Time SER to CLK	2	80		100		120	ns	
		4.5	16		20		24		
		6	14		17		20		
t <sub>SU(L)</sub>	CLK INH to CLK	2	80		100		120	ns	
		4.5	16		20		24		
		6	14		17		20		
t <sub>SU</sub>	A-H to SH/LD	2	80		100		120	ns	
		4.5	16		20		24		
		6	14		17		20		
t <sub>H</sub>	Hold Time SER to CLK or CLK INH	2	35		45		55	ns	
		4.5	7		9		11		
		6	6		8		9		
t <sub>H</sub>	CLK INH to CLK	2	0		0		0	ns	
		4.5	0		0		0		
		6	0		0		0		
t <sub>REC</sub>	Recovery Time SH/LD to CLK	2	100		125		150	ns	
		4.5	20		25		30		
		6	17		21		26		
f <sub>MAX</sub>	Maximum Clock Pulse Frequency	2	6		5		4	MHz	
		4.5	30		24		20		
		6	35		28		24		
<b>HCT TYPES</b>									
t <sub>WL</sub> , t <sub>WH</sub>	CLK Pulse Width	4.5	18		23		27	ns	
t <sub>WL</sub>	SH/LD Pulse Width	4.5	20		25		30	ns	
t <sub>SU</sub>	Set-up Time SER to CLK	4.5	20		25		30	ns	
t <sub>SU(L)</sub>	CLK INH to CLK	4.5	20		25		30	ns	
t <sub>SU</sub>	A-H to SH/LD	6	20		25		30	ns	
t <sub>H</sub>	Hold Time SER to CLK or CLK INH	4.5	7		9		11	ns	
t <sub>S</sub> , t <sub>H</sub>	CLK INH to CLK	4.5	0		0		0	ns	
t <sub>REC</sub>	Recovery Time SH/LD to CLK	4.5	20		25		30	ns	
f <sub>MAX</sub>	Maximum Clock Pulse Frequency	4.5	27		22		18	MHz	

## 5.6 Switching Characteristics

Input  $t_r$ ,  $t_f$  = 6 ns. Unless otherwise specified,  $C_L$  = 50pF

PARAMETER	$V_{CC}(V)$	25°C		-40°C to 85°C	-55°C to 125°C	UNIT	
		TYP	MAX	MAX	MAX		
<b>HC TYPES</b>							
$t_{pd}$	CLK or CLK INH to $Q_H$ or $\bar{Q}_H$	2	165	205	250	ns	
		4.5	13 <sup>(3)</sup>	33	41	50	ns
		6		28	35	43	ns
	SH/LD to $Q_H$ or $\bar{Q}_H$	2		175	220	265	ns
		4.5	14 <sup>(3)</sup>	35	44	53	ns
		6		30	37	45	ns
	H to $Q_H$ or $\bar{Q}_H$	2		150	190	225	ns
		4.5	12 <sup>(3)</sup>	30	38	45	ns
		6		26	33	38	ns
$t_t$	Output Transition Times	2		75	95	110	ns
		4.5		15	19	22	ns
		6		13	16	19	ns
$C_{IN}$	Input Capacitance		10	10	10	pF	
$C_{PD}$	Power Dissipation Capacitance <sup>(1) (2)</sup>	5	17			pF	
<b>HCT TYPES</b>							
$t_{pd}$	CLK or CLK INH to $Q_H$ or $\bar{Q}_H$	4.5	17 <sup>(3)</sup>	40	50	60	ns
	SH/LD to $Q_H$ or $\bar{Q}_H$	4.5	17 <sup>(3)</sup>	40	50	60	ns
	H to $Q_H$ or $\bar{Q}_H$	4.5	14 <sup>(3)</sup>	35	44	53	ns
$t_t$	Output Transition Times	4.5		15	19	22	ns
$C_{IN}$	Input Capacitance			10	10	10	pF
$C_{PD}$	Power Dissipation Capacitance <sup>(1) (2)</sup>	5	24			pF	

(1)  $C_{PD}$  is used to determine the dynamic power consumption, per package.

(2)  $P_D = V_{CC}^2 f_i + \sum (C_L V_{CC}^2 + f_o)$  where  $f_i$  = Input Frequency,  $f_o$  = Output Frequency,  $C_L$  = Output Load Capacitance,  $V_{CC}$  = Supply Voltage.

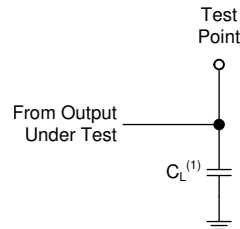
(3)  $C_L$  = 15 pF and  $V_{CC}$  = 5 V.

## 6 Parameter Measurement Information

Phase relationships between waveforms were chosen arbitrarily. All input pulses are supplied by generators having the following characteristics:  $PRR \leq 1 \text{ MHz}$ ,  $Z_O = 50 \Omega$ ,  $t_t < 6 \text{ ns}$ .

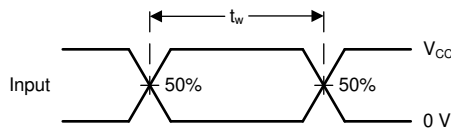
For clock inputs,  $f_{\text{max}}$  is measured when the input duty cycle is 50%.

The outputs are measured one at a time with one input transition per measurement.

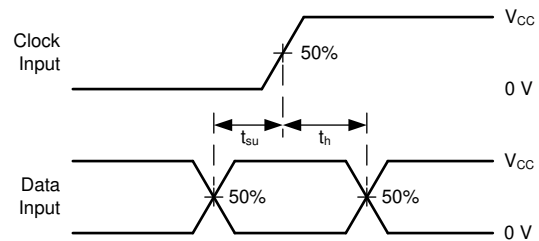


(1)  $C_L$  includes probe and test-fixture capacitance.

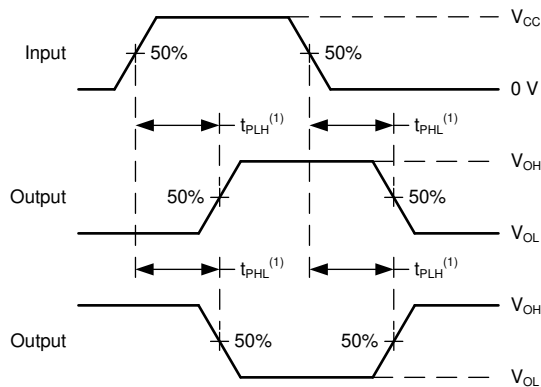
**图 6-1. Load Circuit for Push-Pull Outputs**



**图 6-2. Voltage Waveforms, Standard CMOS Inputs Pulse Duration**

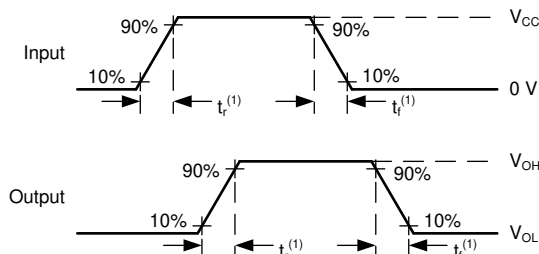


**图 6-3. Voltage Waveforms, Standard CMOS Inputs Setup and Hold Times**



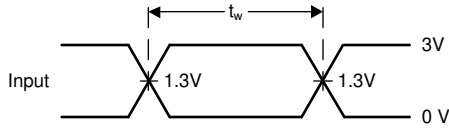
(1) The greater between  $t_{\text{PLH}}$  and  $t_{\text{PHL}}$  is the same as  $t_{\text{pd}}$ .

**图 6-4. Voltage Waveforms, Standard CMOS Inputs Setup Propagation Delays**

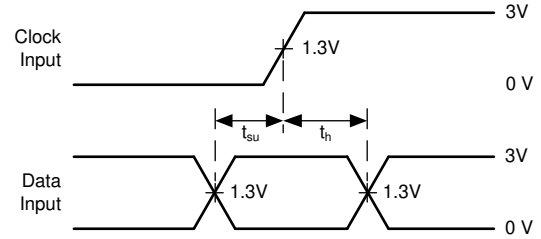


(1) The greater between  $t_r$  and  $t_f$  is the same as  $t_t$ .

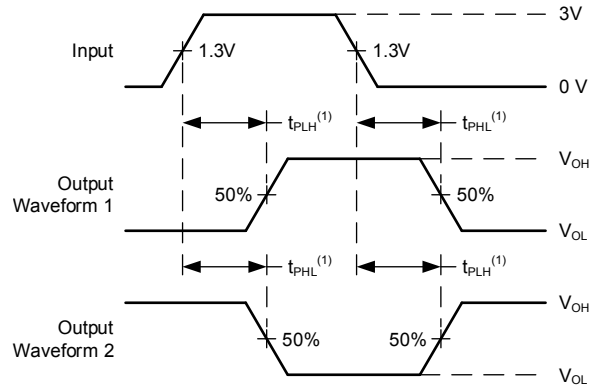
**图 6-5. Voltage Waveforms, Input and Output Transition Times for Standard CMOS Input Devices**



**图 6-6. Voltage Waveforms, TTL-Compatible CMOS Inputs Pulse Duration**



**图 6-7. Voltage Waveforms, TTL-Compatible CMOS Inputs Setup and Hold Times**



(1) The greater between  $t_{PLH}$  and  $t_{PHL}$  is the same as  $t_{pd}$ .

**图 6-8. Voltage Waveforms, TTL-Compatible CMOS Inputs Propagation Delays**

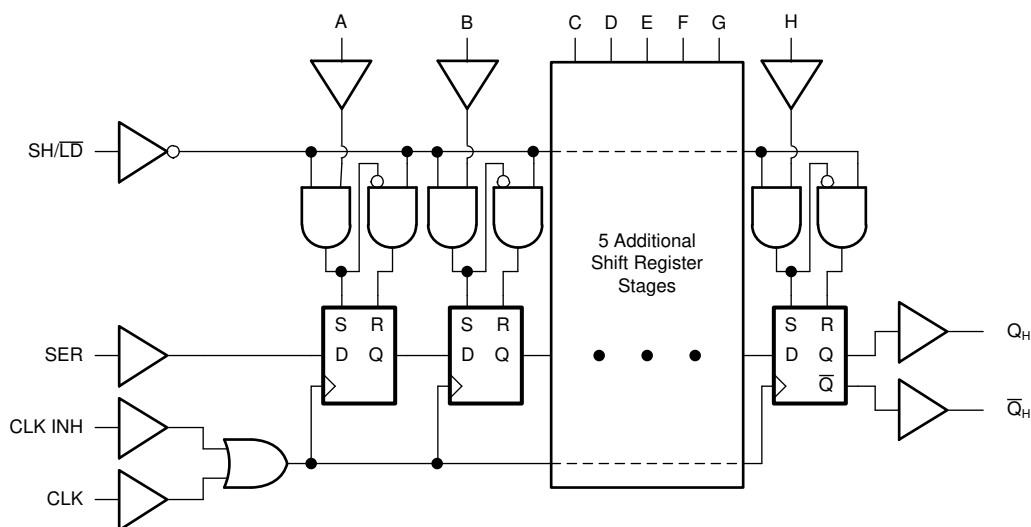
## 7 Detailed Description

### 7.1 Overview

The ' HC165 and ' HCT165 are 8-bit parallel or serial-in shift registers with complementary serial outputs ( $Q_H$  and  $\bar{Q}_H$ ) available from the last stage. When the parallel load (SH/LD) input is LOW, parallel data from the A to H inputs are loaded into the register asynchronously. When the SH/LD is HIGH, data enters the register serially at the SER input and shifts one place to the right ( $A \rightarrow B \rightarrow C$ , etc.) with each positive-going clock transition. This feature allows parallel-to-serial converter expansion by connecting the  $Q_H$  output to the SER input of the succeeding device.

For predictable operation the LOW-to-HIGH transition of CLK INH should only take place while CLK is HIGH. Also, CLK and CLK INH should be LOW before the LOW-to-HIGH transition of SH/LD to prevent shifting the data when SH/LD goes HIGH.

### 7.2 Functional Block Diagram



### 7.3 Device Functional Modes

表 7-1. Truth Table<sup>(1)</sup>

OPERATING MODE	INPUTS				A - H	Q <sub>n</sub> REGISTER		OUTPUTS	
	SHLD	CLK INH	CLK	SER		Q <sub>A</sub>	Q <sub>B</sub> - Q <sub>G</sub>	Q <sub>H</sub>	$\bar{Q}_H$
Parallel Load	L	X	X	X	L	L	L-L	L	H
	L	X	X	X	H	H	H-H	H	L
Serial Shift	H	L	↑	l	X	L	q <sub>A</sub> - q <sub>F</sub>	q <sub>G</sub>	$\bar{q}_G$
	H	L	↑	h	X	H	q <sub>A</sub> - q <sub>F</sub>	q <sub>G</sub>	$\bar{q}_G$
Hold (Do Nothing)	H	H	X	X	X	q <sub>A</sub>	q <sub>B</sub> - q <sub>G</sub>	q <sub>H</sub>	$\bar{q}_H$

- (1) H = High voltage level.  
 h = High voltage level one set-up time prior to the low-to-high clock transition.  
 l = Low voltage level one set-up time prior to the low-to-high clock transition.  
 L = Low voltage level.  
 X = Don't care.  
 ↑ = Transition from low to high level.  
 q<sub>n</sub> = Lower case letters indicate the state of the reference output clock transition.

## 8 Power Supply Recommendations

The power supply can be any voltage between the minimum and maximum supply voltage rating located in the *Recommended Operating Conditions*. Each  $V_{CC}$  terminal should have a good bypass capacitor to prevent power disturbance. A 0.1- $\mu$ F capacitor is recommended for this device. It is acceptable to parallel multiple bypass caps to reject different frequencies of noise. The 0.1- $\mu$ F and 1- $\mu$ F capacitors are commonly used in parallel. The bypass capacitor should be installed as close to the power terminal as possible for best results.

## 9 Layout

### 9.1 Layout Guidelines

When using multiple-input and multiple-channel logic devices inputs must not ever be left floating. In many cases, functions or parts of functions of digital logic devices are unused; for example, when only two inputs of a triple-input AND gate are used or only 3 of the 4 buffer gates are used. Such unused input pins must not be left unconnected because the undefined voltages at the outside connections result in undefined operational states. All unused inputs of digital logic devices must be connected to a logic high or logic low voltage, as defined by the input voltage specifications, to prevent them from floating. The logic level that must be applied to any particular unused input depends on the function of the device. Generally, the inputs are tied to GND or  $V_{CC}$ , whichever makes more sense for the logic function or is more convenient.

## 10 Device and Documentation Support

TI offers an extensive line of development tools. Tools and software to evaluate the performance of the device, generate code, and develop solutions are listed below.

### 10.1 接收文档更新通知

要接收文档更新通知，请导航至 [ti.com](http://ti.com) 上的器件产品文件夹。点击 [订阅更新](#) 进行注册，即可每周接收产品信息更改摘要。有关更改的详细信息，请查看任何已修订文档中包含的修订历史记录。

### 10.2 支持资源

TI E2E™ 支持论坛是工程师的重要参考资料，可直接从专家获得快速、经过验证的解答和设计帮助。搜索现有解答或提出自己的问题可获得所需的快速设计帮助。

链接的内容由各个贡献者“按原样”提供。这些内容并不构成 TI 技术规范，并且不一定反映 TI 的观点；请参阅 TI 的《使用条款》。

### 10.3 Trademarks

TI E2E™ is a trademark of Texas Instruments.

所有商标均为其各自所有者的财产。

### 10.4 Electrostatic Discharge Caution



This integrated circuit can be damaged by ESD. Texas Instruments recommends that all integrated circuits be handled with appropriate precautions. Failure to observe proper handling and installation procedures can cause damage.

ESD damage can range from subtle performance degradation to complete device failure. Precision integrated circuits may be more susceptible to damage because very small parametric changes could cause the device not to meet its published specifications.

### 10.5 术语表

TI 术语表 本术语表列出并解释了术语、首字母缩略词和定义。

## 11 Mechanical, Packaging, and Orderable Information

The following pages include mechanical, packaging, and orderable information. This information is the most current data available for the designated devices. This data is subject to change without notice and revision of this document. For browser-based versions of this data sheet, refer to the left-hand navigation.

## 重要声明和免责声明

TI 提供技术和可靠性数据 (包括数据表)、设计资源 (包括参考设计)、应用或其他设计建议、网络工具、安全信息和其他资源, 不保证没有瑕疵且不做任何明示或暗示的担保, 包括但不限于对适销性、某特定用途方面的适用性或不侵犯任何第三方知识产权的暗示担保。

这些资源可供使用 TI 产品进行设计的熟练开发人员使用。您将自行承担以下全部责任: (1) 针对您的应用选择合适的 TI 产品, (2) 设计、验证并测试您的应用, (3) 确保您的应用满足相应标准以及任何其他安全、安保或其他要求。这些资源如有变更, 恕不另行通知。TI 授权您仅可将这些资源用于研发本资源所述的 TI 产品的应用。严禁对这些资源进行其他复制或展示。您无权使用任何其他 TI 知识产权或任何第三方知识产权。您应全额赔偿因在这些资源的使用中对 TI 及其代表造成的任何索赔、损害、成本、损失和债务, TI 对此概不负责。

TI 提供的产品受 TI 的销售条款 (<https://www.ti.com/legal/termsofsale.html>) 或 [ti.com](https://www.ti.com) 上其他适用条款/TI 产品随附的其他适用条款的约束。TI 提供这些资源并不会扩展或以其他方式更改 TI 针对 TI 产品发布的适用的担保或担保免责声明。

邮寄地址: Texas Instruments, Post Office Box 655303, Dallas, Texas 75265  
Copyright © 2021, 德州仪器 (TI) 公司

**PACKAGING INFORMATION**

Orderable Device	Status (1)	Package Type	Package Drawing	Pins	Package Qty	Eco Plan (2)	Lead finish/ Ball material (6)	MSL Peak Temp (3)	Op Temp (°C)	Device Marking (4/5)	Samples
5962-8685501EA	ACTIVE	CDIP	J	16	1	Non-RoHS & Green	SNPB	N / A for Pkg Type	-55 to 125	5962-8685501EA CD54HCT165F3A	<a href="#">Samples</a>
CD54HC165F3A	ACTIVE	CDIP	J	16	1	Non-RoHS & Green	SNPB	N / A for Pkg Type	-55 to 125	8409501EA CD54HC165F3A	<a href="#">Samples</a>
CD54HCT165F3A	ACTIVE	CDIP	J	16	1	Non-RoHS & Green	SNPB	N / A for Pkg Type	-55 to 125	5962-8685501EA CD54HCT165F3A	<a href="#">Samples</a>
CD74HC165E	ACTIVE	PDIP	N	16	25	RoHS & Green	NIPDAU	N / A for Pkg Type	-55 to 125	CD74HC165E	<a href="#">Samples</a>
CD74HC165EE4	ACTIVE	PDIP	N	16	25	TBD	Call TI	Call TI	-55 to 125		<a href="#">Samples</a>
CD74HC165M	ACTIVE	SOIC	D	16	40	RoHS & Green	NIPDAU	Level-1-260C-UNLIM	-55 to 125	HC165M	<a href="#">Samples</a>
CD74HC165M96	ACTIVE	SOIC	D	16	2500	RoHS & Green	NIPDAU   SN	Level-1-260C-UNLIM	-55 to 125	HC165M	<a href="#">Samples</a>
CD74HC165M96G4	ACTIVE	SOIC	D	16	2500	TBD	Call TI	Call TI	-55 to 125		<a href="#">Samples</a>
CD74HC165ME4	ACTIVE	SOIC	D	16	40	RoHS & Green	NIPDAU	Level-1-260C-UNLIM	-55 to 125	HC165M	<a href="#">Samples</a>
CD74HC165MT	ACTIVE	SOIC	D	16	250	RoHS & Green	NIPDAU	Level-1-260C-UNLIM	-55 to 125	HC165M	<a href="#">Samples</a>
CD74HC165MTE4	ACTIVE	SOIC	D	16	250	RoHS & Green	NIPDAU	Level-1-260C-UNLIM	-55 to 125	HC165M	<a href="#">Samples</a>
CD74HCT165E	ACTIVE	PDIP	N	16	25	RoHS & Green	NIPDAU	N / A for Pkg Type	-55 to 125	CD74HCT165E	<a href="#">Samples</a>
CD74HCT165EE4	ACTIVE	PDIP	N	16	25	TBD	Call TI	Call TI	-55 to 125		<a href="#">Samples</a>
CD74HCT165M	ACTIVE	SOIC	D	16	40	RoHS & Green	NIPDAU	Level-1-260C-UNLIM	-55 to 125	HCT165M	<a href="#">Samples</a>
CD74HCT165M96	ACTIVE	SOIC	D	16	2500	RoHS & Green	NIPDAU   SN	Level-1-260C-UNLIM	-55 to 125	HCT165M	<a href="#">Samples</a>
CD74HCT165M96E4	ACTIVE	SOIC	D	16	2500	TBD	Call TI	Call TI	-55 to 125		<a href="#">Samples</a>
CD74HCT165M96G4	ACTIVE	SOIC	D	16	2500	RoHS & Green	NIPDAU	Level-1-260C-UNLIM	-55 to 125	HCT165M	<a href="#">Samples</a>
CD74HCT165ME4	ACTIVE	SOIC	D	16	40	RoHS & Green	NIPDAU	Level-1-260C-UNLIM	-55 to 125	HCT165M	<a href="#">Samples</a>
CD74HCT165MT	ACTIVE	SOIC	D	16	250	RoHS & Green	NIPDAU	Level-1-260C-UNLIM	-55 to 125	HCT165M	<a href="#">Samples</a>

(1) The marketing status values are defined as follows:

**ACTIVE:** Product device recommended for new designs.

**LIFEBUY:** TI has announced that the device will be discontinued, and a lifetime-buy period is in effect.

**NRND:** Not recommended for new designs. Device is in production to support existing customers, but TI does not recommend using this part in a new design.

**PREVIEW:** Device has been announced but is not in production. Samples may or may not be available.

**OBSOLETE:** TI has discontinued the production of the device.

(2) **RoHS:** TI defines "RoHS" to mean semiconductor products that are compliant with the current EU RoHS requirements for all 10 RoHS substances, including the requirement that RoHS substance do not exceed 0.1% by weight in homogeneous materials. Where designed to be soldered at high temperatures, "RoHS" products are suitable for use in specified lead-free processes. TI may reference these types of products as "Pb-Free".

**RoHS Exempt:** TI defines "RoHS Exempt" to mean products that contain lead but are compliant with EU RoHS pursuant to a specific EU RoHS exemption.

**Green:** TI defines "Green" to mean the content of Chlorine (Cl) and Bromine (Br) based flame retardants meet JS709B low halogen requirements of  $\leq 1000$ ppm threshold. Antimony trioxide based flame retardants must also meet the  $\leq 1000$ ppm threshold requirement.

(3) MSL, Peak Temp. - The Moisture Sensitivity Level rating according to the JEDEC industry standard classifications, and peak solder temperature.

(4) There may be additional marking, which relates to the logo, the lot trace code information, or the environmental category on the device.

(5) Multiple Device Markings will be inside parentheses. Only one Device Marking contained in parentheses and separated by a "~" will appear on a device. If a line is indented then it is a continuation of the previous line and the two combined represent the entire Device Marking for that device.

(6) Lead finish/Ball material - Orderable Devices may have multiple material finish options. Finish options are separated by a vertical ruled line. Lead finish/Ball material values may wrap to two lines if the finish value exceeds the maximum column width.

**Important Information and Disclaimer:**The information provided on this page represents TI's knowledge and belief as of the date that it is provided. TI bases its knowledge and belief on information provided by third parties, and makes no representation or warranty as to the accuracy of such information. Efforts are underway to better integrate information from third parties. TI has taken and continues to take reasonable steps to provide representative and accurate information but may not have conducted destructive testing or chemical analysis on incoming materials and chemicals. TI and TI suppliers consider certain information to be proprietary, and thus CAS numbers and other limited information may not be available for release.

In no event shall TI's liability arising out of such information exceed the total purchase price of the TI part(s) at issue in this document sold by TI to Customer on an annual basis.

**OTHER QUALIFIED VERSIONS OF CD54HC165, CD54HCT165, CD74HC165, CD74HCT165 :**

● Catalog : [CD74HC165](#), [CD74HCT165](#)

● Military : [CD54HC165](#), [CD54HCT165](#)

NOTE: Qualified Version Definitions:

- Catalog - TI's standard catalog product
- Military - QML certified for Military and Defense Applications

**TAPE AND REEL INFORMATION**

**QUADRANT ASSIGNMENTS FOR PIN 1 ORIENTATION IN TAPE**


\*All dimensions are nominal

Device	Package Type	Package Drawing	Pins	SPQ	Reel Diameter (mm)	Reel Width W1 (mm)	A0 (mm)	B0 (mm)	K0 (mm)	P1 (mm)	W (mm)	Pin1 Quadrant
CD74HC165M96	SOIC	D	16	2500	330.0	16.4	6.5	10.3	2.1	8.0	16.0	Q1
CD74HC165M96	SOIC	D	16	2500	330.0	16.4	6.5	10.3	2.1	8.0	16.0	Q1
CD74HC165M96	SOIC	D	16	2500	330.0	16.4	6.5	10.3	2.1	8.0	16.0	Q1
CD74HC165M96	SOIC	D	16	2500	330.0	16.4	6.6	9.3	2.1	8.0	16.0	Q1
CD74HCT165M96	SOIC	D	16	2500	330.0	16.8	6.5	10.3	2.1	8.0	16.0	Q1
CD74HCT165M96	SOIC	D	16	2500	330.0	16.4	6.5	10.3	2.1	8.0	16.0	Q1
CD74HCT165M96G4	SOIC	D	16	2500	330.0	16.4	6.5	10.3	2.1	8.0	16.0	Q1

**TAPE AND REEL BOX DIMENSIONS**


\*All dimensions are nominal

Device	Package Type	Package Drawing	Pins	SPQ	Length (mm)	Width (mm)	Height (mm)
CD74HC165M96	SOIC	D	16	2500	356.0	356.0	35.0
CD74HC165M96	SOIC	D	16	2500	356.0	356.0	35.0
CD74HC165M96	SOIC	D	16	2500	340.5	336.1	32.0
CD74HC165M96	SOIC	D	16	2500	366.0	364.0	50.0
CD74HCT165M96	SOIC	D	16	2500	364.0	364.0	27.0
CD74HCT165M96	SOIC	D	16	2500	340.5	336.1	32.0
CD74HCT165M96G4	SOIC	D	16	2500	340.5	336.1	32.0

**TUBE**


\*All dimensions are nominal

Device	Package Name	Package Type	Pins	SPQ	L (mm)	W (mm)	T (μm)	B (mm)
CD74HC165E	N	PDIP	16	25	506	13.97	11230	4.32
CD74HC165E	N	PDIP	16	25	506	13.97	11230	4.32
CD74HC165M	D	SOIC	16	40	507	8	3940	4.32
CD74HC165M	D	SOIC	16	40	506.6	8	3940	4.32
CD74HC165ME4	D	SOIC	16	40	506.6	8	3940	4.32
CD74HC165ME4	D	SOIC	16	40	507	8	3940	4.32
CD74HCT165E	N	PDIP	16	25	506	13.97	11230	4.32
CD74HCT165E	N	PDIP	16	25	506	13.97	11230	4.32
CD74HCT165M	D	SOIC	16	40	507	8	3940	4.32
CD74HCT165ME4	D	SOIC	16	40	507	8	3940	4.32

D (R-PDSO-G16)

PLASTIC SMALL OUTLINE



- NOTES:
- A. All linear dimensions are in inches (millimeters).
  - B. This drawing is subject to change without notice.
  - C. Body length does not include mold flash, protrusions, or gate burrs. Mold flash, protrusions, or gate burrs shall not exceed 0.006 (0,15) each side.
  - D. Body width does not include interlead flash. Interlead flash shall not exceed 0.017 (0,43) each side.
  - E. Reference JEDEC MS-012 variation AC.

D (R-PDSO-G16)

PLASTIC SMALL OUTLINE



- NOTES:
- All linear dimensions are in millimeters.
  - This drawing is subject to change without notice.
  - Publication IPC-7351 is recommended for alternate designs.
  - Laser cutting apertures with trapezoidal walls and also rounding corners will offer better paste release. Customers should contact their board assembly site for stencil design recommendations. Refer to IPC-7525 for other stencil recommendations.
  - Customers should contact their board fabrication site for solder mask tolerances between and around signal pads.

N (R-PDIP-T\*\*)

PLASTIC DUAL-IN-LINE PACKAGE

16 PINS SHOWN



- NOTES:
- A. All linear dimensions are in inches (millimeters).
  - B. This drawing is subject to change without notice.
  - (C) Falls within JEDEC MS-001, except 18 and 20 pin minimum body length (Dim A).
  - (D) The 20 pin end lead shoulder width is a vendor option, either half or full width.

J (R-GDIP-T\*\*)

14 LEADS SHOWN

CERAMIC DUAL IN-LINE PACKAGE



DIM \ PINS **	14	16	18	20
A	0.300 (7,62) BSC	0.300 (7,62) BSC	0.300 (7,62) BSC	0.300 (7,62) BSC
B MAX	0.785 (19,94)	.840 (21,34)	0.960 (24,38)	1.060 (26,92)
B MIN	—	—	—	—
C MAX	0.300 (7,62)	0.300 (7,62)	0.310 (7,87)	0.300 (7,62)
C MIN	0.245 (6,22)	0.245 (6,22)	0.220 (5,59)	0.245 (6,22)



4040083/F 03/03

- NOTES:
- All linear dimensions are in inches (millimeters).
  - This drawing is subject to change without notice.
  - This package is hermetically sealed with a ceramic lid using glass frit.
  - Index point is provided on cap for terminal identification only on press ceramic glass frit seal only.
  - Falls within MIL STD 1835 GDIP1-T14, GDIP1-T16, GDIP1-T18 and GDIP1-T20.

## 重要声明和免责声明

TI“按原样”提供技术和可靠性数据（包括数据表）、设计资源（包括参考设计）、应用或其他设计建议、网络工具、安全信息和其他资源，不保证没有瑕疵且不做任何明示或暗示的担保，包括但不限于对适销性、某特定用途方面的适用性或不侵犯任何第三方知识产权的暗示担保。

这些资源可供使用 TI 产品进行设计的熟练开发人员使用。您将自行承担以下全部责任：(1) 针对您的应用选择合适的 TI 产品，(2) 设计、验证并测试您的应用，(3) 确保您的应用满足相应标准以及任何其他功能安全、信息安全、监管或其他要求。

这些资源如有变更，恕不另行通知。TI 授权您仅可将这些资源用于研发本资源所述的 TI 产品的应用。严禁对这些资源进行其他复制或展示。您无权使用任何其他 TI 知识产权或任何第三方知识产权。您应全额赔偿因在这些资源的使用中对 TI 及其代表造成的任何索赔、损害、成本、损失和债务，TI 对此概不负责。

TI 提供的产品受 [TI 的销售条款](#) 或 [ti.com](#) 上其他适用条款/TI 产品随附的其他适用条款的约束。TI 提供这些资源并不会扩展或以其他方式更改 TI 针对 TI 产品发布的适用的担保或担保免责声明。

TI 反对并拒绝您可能提出的任何其他或不同的条款。

邮寄地址：Texas Instruments, Post Office Box 655303, Dallas, Texas 75265

Copyright © 2022，德州仪器 (TI) 公司