



BUL312FP

HIGH VOLTAGE FAST-SWITCHING NPN POWER TRANSISTOR

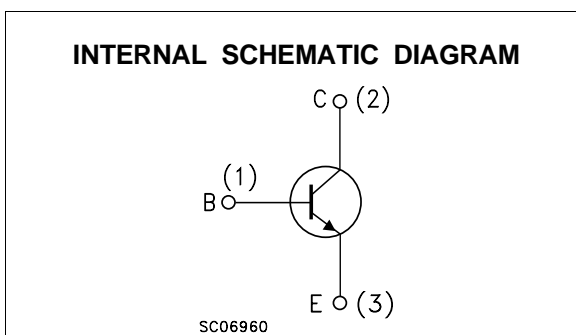
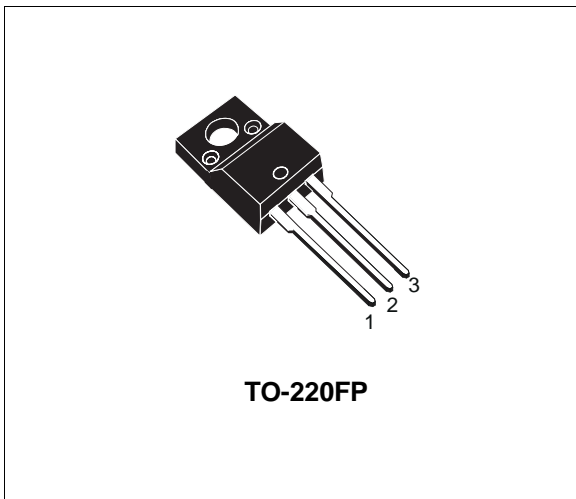
- HIGH VOLTAGE CAPABILITY
- LOW SPREAD OF DYNAMIC PARAMETERS
- MINIMUM LOT-TO-LOT SPREAD FOR RELIABLE OPERATION
- VERY HIGH SWITCHING SPEED
- FULLY CHARACTERIZED AT 125°C
- LARGE RBSOA
- FULLY INSULATED PACKAGE (U.L. COMPLIANT) FOR EASY MOUNTING

APPLICATIONS

- HORIZONTAL DEFLECTION FOR TV
- SMPS
- ELECTRONIC BALLASTS FOR FLUORESCENT LIGHTING

DESCRIPTION

The BUL312FP is manufactured using high voltage Multi Epitaxial Planar technology for high switching speeds and high voltage capability. It uses a Cellular Emitter structure with planar edge termination to enhance switching speeds while maintaining a wide RBSOA.



ABSOLUTE MAXIMUM RATINGS

Symbol	Parameter	Value	Unit
V_{CES}	Collector-Emitter Voltage ($V_{BE} = 0$)	1150	V
V_{CEO}	Collector-Emitter Voltage ($I_B = 0$)	500	V
V_{EBO}	Emitter-Base Voltage ($I_C = 0$)	9	V
I_C	Collector Current	5	A
I_{CM}	Collector Peak Current ($t_p < 5$ ms)	10	A
I_B	Base Current	3	A
I_{BM}	Base Peak Current ($t_p < 5$ ms)	4	A
P_{tot}	Total Dissipation at $T_c = 25$ °C	36	W
V_{isol}	Insulation Withstand Voltage (RMS) from All Three Leads to External Heatsink	1500	V
T_{stg}	Storage Temperature	-65 to 150	°C
T_j	Max. Operating Junction Temperature	150	°C

THERMAL DATA

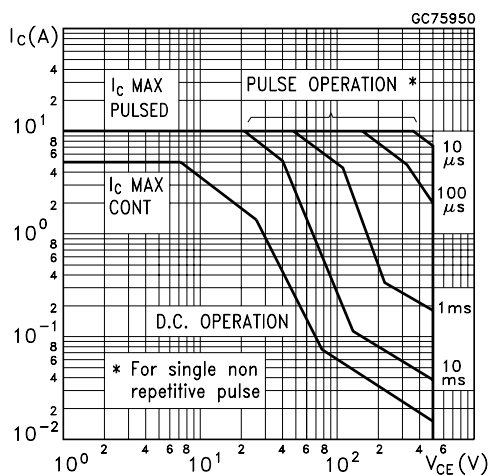
$R_{thj-case}$	Thermal Resistance Junction-Case	Max	3.5	$^{\circ}C/W$
$R_{thj-amb}$	Thermal Resistance Junction-Ambient	Max	62.5	$^{\circ}C/W$

ELECTRICAL CHARACTERISTICS ($T_{case} = 25^{\circ}C$ unless otherwise specified)

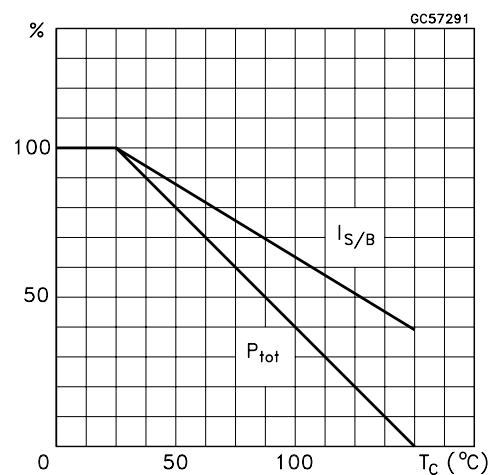
Symbol	Parameter	Test Conditions	Min.	Typ.	Max.	Unit
I_{CES}	Collector Cut-off Current ($V_{BE} = 0$)	$V_{CE} = 1150 V$ $V_{CE} = 1150 V \quad T_j = 125^{\circ}C$			1 2	mA mA
I_{CEO}	Collector Cut-off Current ($I_B = 0$)	$V_{CE} = 500 V$			250	μA
$V_{CEO(sus)*}$	Collector-Emitter Sustaining Voltage ($I_B = 0$)	$I_C = 100 mA \quad L = 25 mH$	500			V
V_{EBO}	Emitter-Base Voltage ($I_C = 0$)	$I_E = 10 mA$	10			V
$V_{CE(sat)*}$	Collector-Emitter Saturation Voltage	$I_C = 1 A \quad I_B = 0.2 A$ $I_C = 2 A \quad I_B = 0.4 A$ $I_C = 3 A \quad I_B = 0.6 A$			0.5 0.7 1.1	V V V
$V_{BE(sat)*}$	Base-Emitter Saturation Voltage	$I_C = 1 A \quad I_B = 0.2 A$ $I_C = 2 A \quad I_B = 0.4 A$ $I_C = 3 A \quad I_B = 0.6 A$			1 1.1 1.2	V V V
h_{FE*}	DC Current Gain	$I_C = 10 mA \quad V_{CE} = 5 V$ $I_C = 3 A \quad V_{CE} = 2.5 V$	8 8		13.5	
t_s t_f	INDUCTIVE LOAD Storage Time Fall Time	$I_C = 2 A \quad I_{B1} = 0.4 A$ $V_{BE(off)} = -5 V \quad R_{BB} = 0 \Omega$ $V_{CL} = 250 V \quad L = 200 \mu H$ (see fig. 1)		1.2 80	1.9 160	μs ns
t_s t_f	INDUCTIVE LOAD Storage Time Fall Time	$I_C = 2 A \quad I_{B1} = 0.4 A$ $V_{BE(off)} = -5 V \quad R_{BB} = 0 \Omega$ $V_{CL} = 250 V \quad L = 200 \mu H$ $T_j = 125^{\circ}C$ (see fig. 1)		1.8 150		μs ns

* Pulsed: Pulse duration = 300 μs , duty cycle 1.5 %

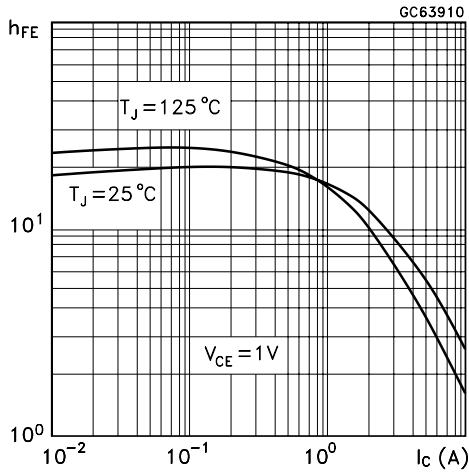
Safe Operating Areas



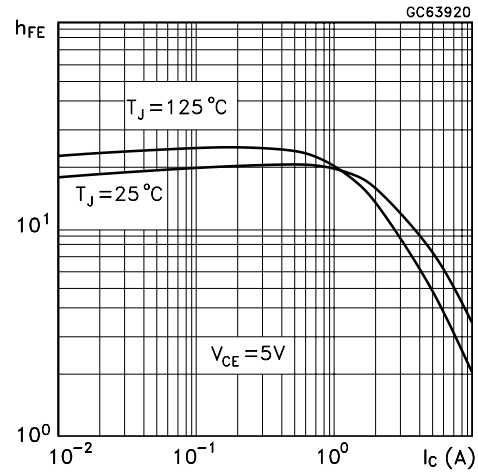
Derating Curve



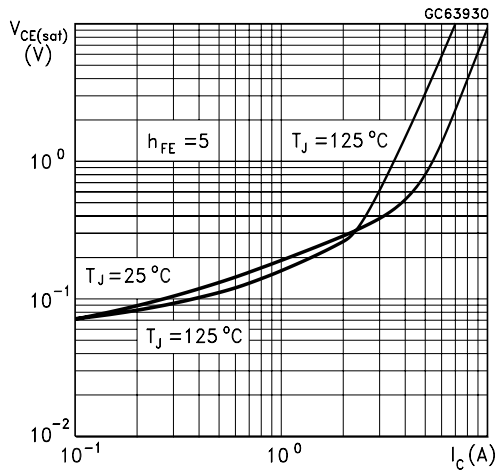
DC Current Gain



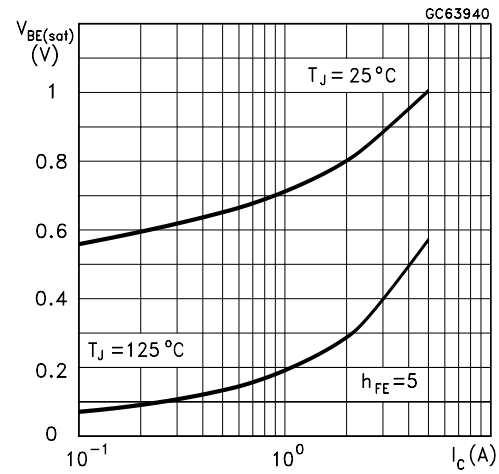
DC Current Gain



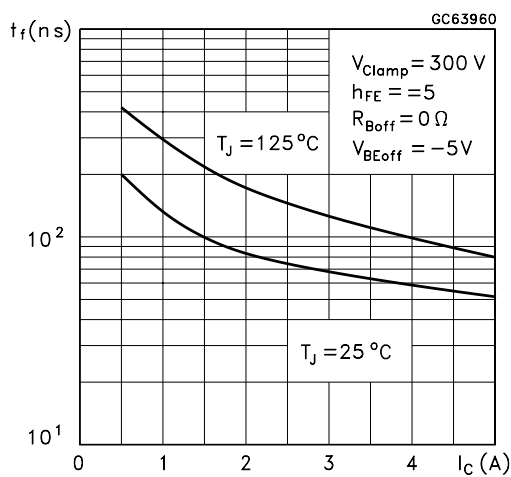
Collector Emitter Saturation Voltage



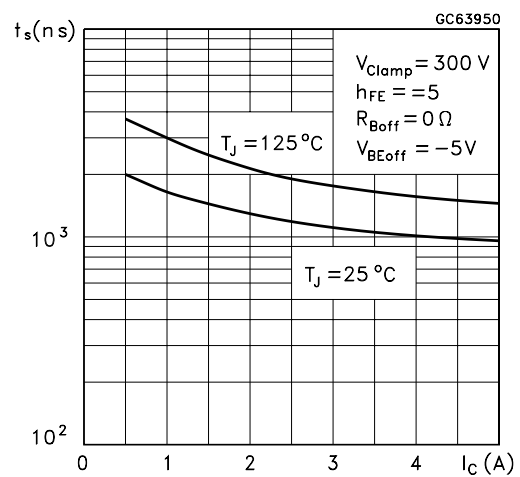
Base Emitter Saturation Voltage



Inductive Fall Time



Inductive Storage Time



Reverse Biased SOA

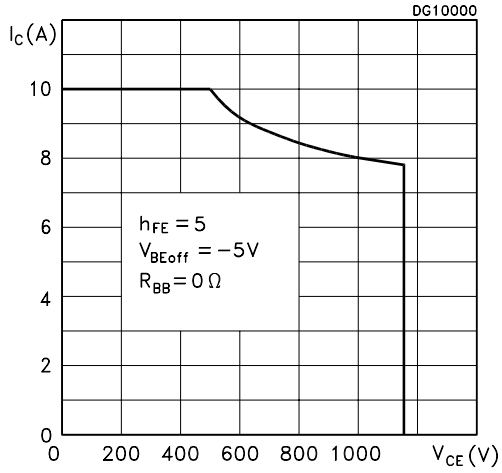
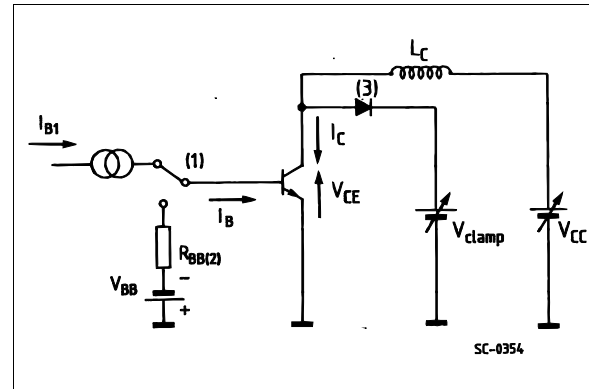


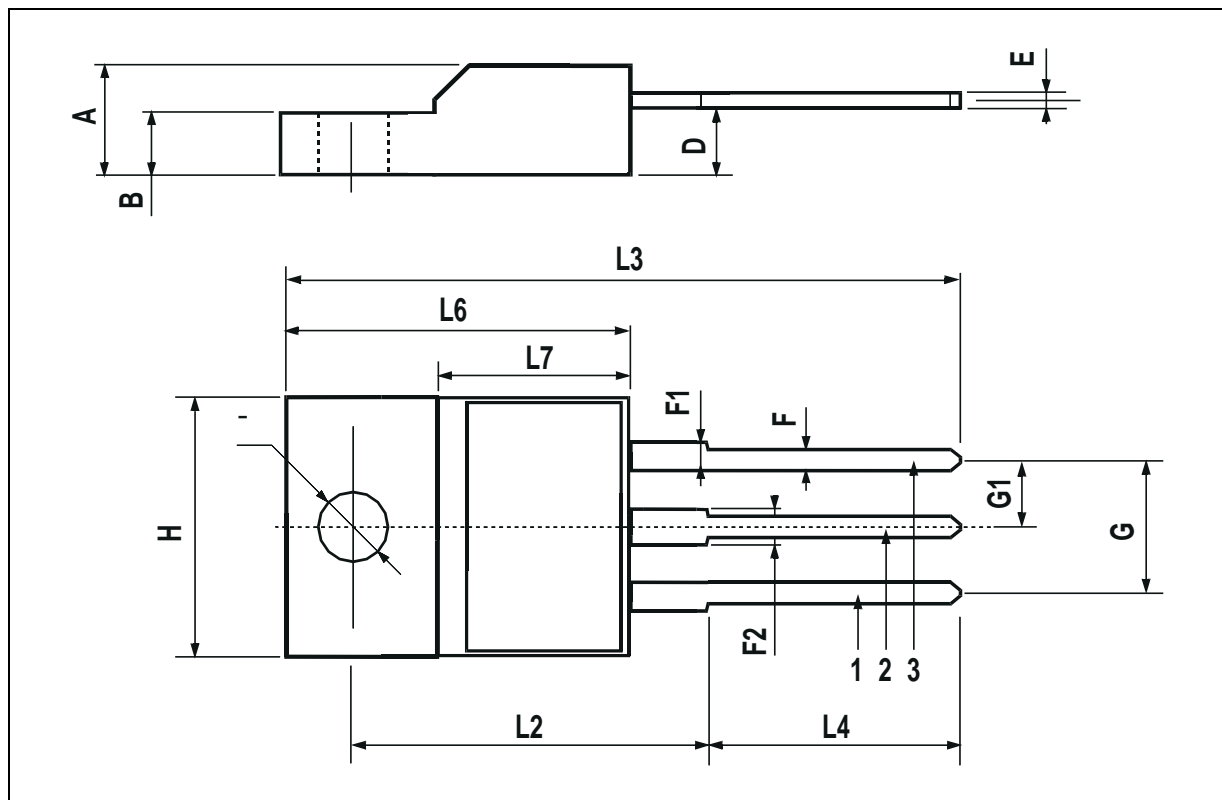
Figure 1: Inductive Load Switching Test Circuit



- (1) Fast electronic switch
- (2) Non-inductive Resistor
- (3) Fast recovery rectifier

TO-220FP MECHANICAL DATA

DIM.	mm			inch		
	MIN.	TYP.	MAX.	MIN.	TYP.	MAX.
A	4.4		4.6	0.173		0.181
B	2.5		2.7	0.098		0.106
D	2.5		2.75	0.098		0.108
E	0.45		0.7	0.017		0.027
F	0.75		1	0.030		0.039
F1	1.15		1.7	0.045		0.067
F2	1.15		1.7	0.045		0.067
G	4.95		5.2	0.195		0.204
G1	2.4		2.7	0.094		0.106
H	10		10.4	0.393		0.409
L2		16			0.630	
L3	28.6		30.6	1.126		1.204
L4	9.8		10.6	0.385		0.417
L6	15.9		16.4	0.626		0.645
L7	9		9.3	0.354		0.366
Ø	3		3.2	0.118		0.126



Information furnished is believed to be accurate and reliable. However, STMicroelectronics assumes no responsibility for the consequences of use of such information nor for any infringement of patents or other rights of third parties which may result from its use. No license is granted by implication or otherwise under any patent or patent rights of STMicroelectronics. Specification mentioned in this publication are subject to change without notice. This publication supersedes and replaces all information previously supplied. STMicroelectronics products are not authorized for use as critical components in life support devices or systems without express written approval of STMicroelectronics.

The ST logo is a trademark of STMicroelectronics.

All other names are the property of their respective owners.

© 2004 STMicroelectronics – All Rights reserved
STMicroelectronics GROUP OF COMPANIES

Australia - Belgium - Brazil - Canada - China - Czech Republic - Finland - France - Germany - Hong Kong - India - Israel - Italy - Japan - Malaysia - Malta - Morocco - Singapore - Spain - Sweden - Switzerland - United Kingdom - United States.

<http://www.st.com>