

Real-Time Clock (RTC)

Features

- ACPI-compliant day-of-month alarm
- Direct clock/calendar replacement for IBM® AT-compatible computers and other applications
- 2.7–5.5V operation (bq3285LD); 4.5–5.5V operation (bq3285ED)
- 242 bytes of general nonvolatile storage
- Dedicated 32.768kHz output pin
- System wake-up capability—alarm interrupt output active in battery-backup mode
- Less than 0.55µA load under battery operation
- Selectable Intel or Motorola bus timing
- 24-pin plastic SSOP

General Description

The CMOS bq3285ED/LD is a low-power microprocessor peripheral providing a time-of-day clock and 100-year calendar with alarm features and battery operation. The architecture is based on the bq3285/7 RTC with added features: low-voltage operation, 32.768kHz output, 128 additional bytes of CMOS, and a day-of-month alarm to be compliant with the ACPI RTC specification.

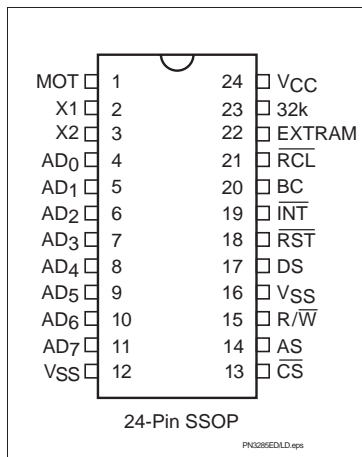
A 32.768kHz output is available for sustaining power-management activities. The bq3285ED/LD 32kHz output is always on whenever V_{CC} is valid. In V_{CC} standby mode, the 32kHz is active, and the bq3285LD typically draws 100µA while the bq3285ED typically draws 300µA. Wake-up capability is provided by an alarm interrupt, which is active in battery-backup mode. In battery-backup mode, current drain is less than 550nA.

The bq3285ED/LD write-protects the clock, calendar, and storage registers during power failure. A backup battery then maintains data and operates the clock and calendar.

The bq3285ED/LD is a fully compatible real-time clock for IBM AT-compatible computers and other applications. The only external components are a 32.768kHz crystal and a backup battery.

The bq3285ED is intended for use in 5V systems. The bq3285LD is intended for use in 3V systems; the bq3285LD, however, may also operate at 5V and then go into a 3V power-down state, write-protecting as if in a 3V system.

Pin Connections

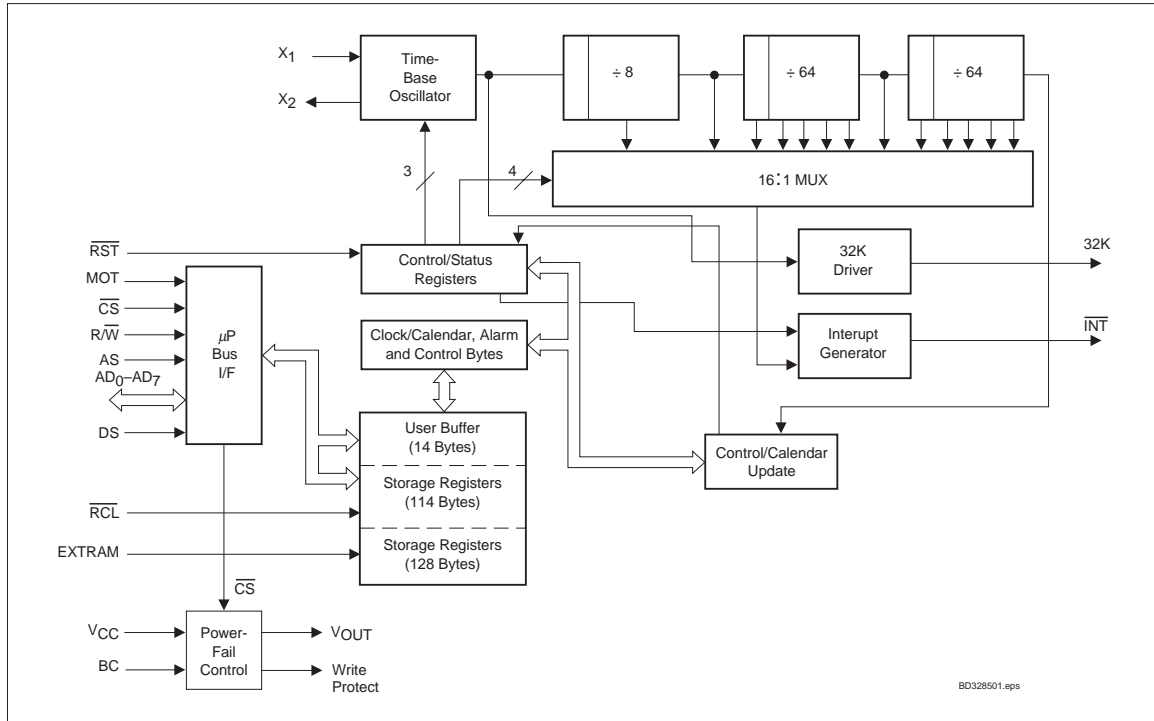


Pin Names

| | | | |
|----------------------------------|---------------------------------------|-----------------|----------------------|
| AD ₀ –AD ₇ | Multiplexed address/data input/output | 32K | 32.768kHz output |
| MOT | Bus type select input | EXTRAM | Extended RAM enable |
| \overline{CS} | Chip select input | RCL | RAM clear input |
| AS | Address strobe input | BC | 3V backup cell input |
| DS | Data strobe input | X1–X2 | Crystal inputs |
| $\overline{R/W}$ | Read/write input | V _{CC} | Power supply |
| \overline{INT} | Interrupt request output | V _{SS} | Ground |
| RST | Reset input | | |

bq3285ED/LD

Block Diagram



Pin Descriptions

MOT Bus type select input

MOT selects bus timing for either Motorola or Intel architecture. This pin should be tied to V_{CC} for Motorola timing or to V_{SS} for Intel timing (see Table 1). The setting should not be changed during system operation. MOT is internally pulled low by a 30K Ω resistor.

Table 1. Bus Setup

| Bus Type | MOT Level | DS Equivalent | R/W Equivalent | AS Equivalent |
|----------|-----------------|--------------------------------|--------------------------------|---------------|
| Motorola | V _{CC} | DS, E, or φ ₂ | R/W | AS |
| Intel | V _{SS} | R _D , MEMR, or I/OR | W _R , MEMW, or I/OW | ALE |

AD₀-AD₇ Multiplexed address/data input/output

The bq3285ED/LD bus cycle consists of two phases: the address phase and the data-transfer phase. The address phase precedes the data-transfer phase. During the address phase, an address placed on AD₀-AD₇ and EXTRAM is latched into the bq3285ED/LD on the falling edge of the AS signal. During the data-transfer phase of the bus cycle, the AD₀-AD₇ pins serve as a bidirectional data bus.

AS Address strobe input

AS serves to demultiplex the address/data bus. The falling edge of AS latches the address on AD₀-AD₇ and EXTRAM. This demultiplexing process is independent of the CS signal. For DIP and SOIC packages with MOT = V_{SS}, the AS input is provided a signal similar to ALE in an Intel-based system.

| | | | |
|------------------------------------|---|------------------------------------|---|
| DS | <p>Data strobe input</p> <p>When $MOT = V_{CC}$, DS controls data transfer during a bq3285ED/LD bus cycle. During a read cycle, the bq3285ED/LD drives the bus after the rising edge on DS. During a write cycle, the falling edge on DS is used to latch write data into the chip.</p> <p>When $MOT = V_{SS}$, the DS input is provided a signal similar to \overline{RD}, \overline{MEMR}, or $\overline{I/OR}$ in an Intel-based system. The falling edge on DS is used to enable the outputs during a read cycle.</p> | \overline{RCL} | <p>RAM clear input</p> <p>A low level on the \overline{RCL} pin causes the contents of each of the 242 storage bytes to be set to FF(hex). The contents of the clock and control registers are unaffected. This pin should be used as a user-interface input (pushbutton to ground) and not connected to the output of any active component. \overline{RCL} input is only recognized when held low for at least 125ms in the presence of V_{CC}. Using RAM clear does not affect the battery load. This pin is connected internally to a 30kΩ pull-up resistor.</p> |
| $\overline{R/W}$ | <p>Read/write input</p> <p>When $MOT = V_{CC}$, the level on $\overline{R/W}$ identifies the direction of data transfer. A high level on $\overline{R/W}$ indicates a read bus cycle, whereas a low on this pin indicates a write bus cycle.</p> <p>When $MOT = V_{SS}$, $\overline{R/W}$ is provided a signal similar to \overline{WR}, \overline{MEMW}, or $\overline{I/OW}$ in an Intel-based system. The rising edge on $\overline{R/W}$ latches data into the bq3285ED/LD.</p> | BC | <p>3V backup cell input</p> <p>BC should be connected to a 3V backup cell for RTC operation and storage register non-volatility in the absence of system power. When V_{CC} slews down past V_{BC} (3V typical), the integral control circuitry switches the power source to BC. When V_{CC} returns above V_{BC}, the power source is switched to V_{CC}.</p> <p>Upon power-up, a voltage within the V_{BC} range must be present on the BC pin for the oscillator to start up.</p> |
| \overline{CS} | <p>Chip select input</p> <p>\overline{CS} should be driven low and held stable during the data-transfer phase of a bus cycle accessing the bq3285ED/LD.</p> | \overline{RST} | <p>Reset input</p> <p>The bq3285ED/LD is reset when \overline{RST} is pulled low. When reset, INT becomes high impedance, and the bq3285ED/LD is not accessible. Table 4 in the Control/Status Registers section lists the register bits that are cleared by a reset.</p> <p>Reset may be disabled by connecting \overline{RST} to V_{CC}. This allows the control bits to retain their states through power-down/power-up cycles.</p> |
| \overline{INT} | <p>Interrupt request output</p> <p>\overline{INT} is an open-drain output. This allows alarm INT to be valid in battery-backup mode. To use this feature, connect \overline{INT} through a resistor to a power supply other than V_{CC}. \overline{INT} is asserted low when any event flag is set and the corresponding event enable bit is also set. \overline{INT} becomes high-impedance whenever register C is read (see the Control/Status Registers section).</p> | X1-X2 | <p>Crystal inputs</p> <p>The X1-X2 inputs are provided for an external 32.768kHz quartz crystal, Daiwa DT-26 or equivalent, with 6pF load capacitance. A trimming capacitor may be necessary for extremely precise time-base generation.</p> <p>In the absence of a crystal, a 32.768kHz waveform can be fed into the X1 input.</p> |
| 32K | <p>32.768 kHz output</p> <p>32K provides a buffered 32.768 kHz output. The frequency remains on and fixed at 32.768kHz as long as V_{CC} is valid.</p> | | |
| EXTRAM | <p>Extended RAM enable</p> <p>Enables 128 bytes of additional nonvolatile SRAM. It is connected internally to a 30kΩ pull-down resistor. To access the RTC registers, EXTRAM must be low.</p> | | |

bq3285ED/LD

Functional Description

Address Map

The bq3285ED/LD provides 14 bytes of clock and control/status registers and 242 bytes of general nonvolatile storage. Figure 1 illustrates the address map for the bq3285ED/LD.

Update Period

The update period for the bq3285ED/LD is one second. The bq3285ED/LD updates the contents of the clock and calendar locations during the update cycle at the end of

each update period (see Figure 2). The alarm flag bit may also be set during the update cycle.

The bq3285ED/LD copies the local register updates into the user buffer accessed by the host processor. When a 1 is written to the update transfer inhibit bit (UTI) in register B, the user copy of the clock and calendar bytes remains unchanged, while the local copy of the same bytes continues to be updated every second.

The update-in-progress bit (UIP) in register A is set t_{BUC} time before the beginning of an update cycle (see Figure 2). This bit is cleared and the update-complete flag (UF) is set at the end of the update cycle.

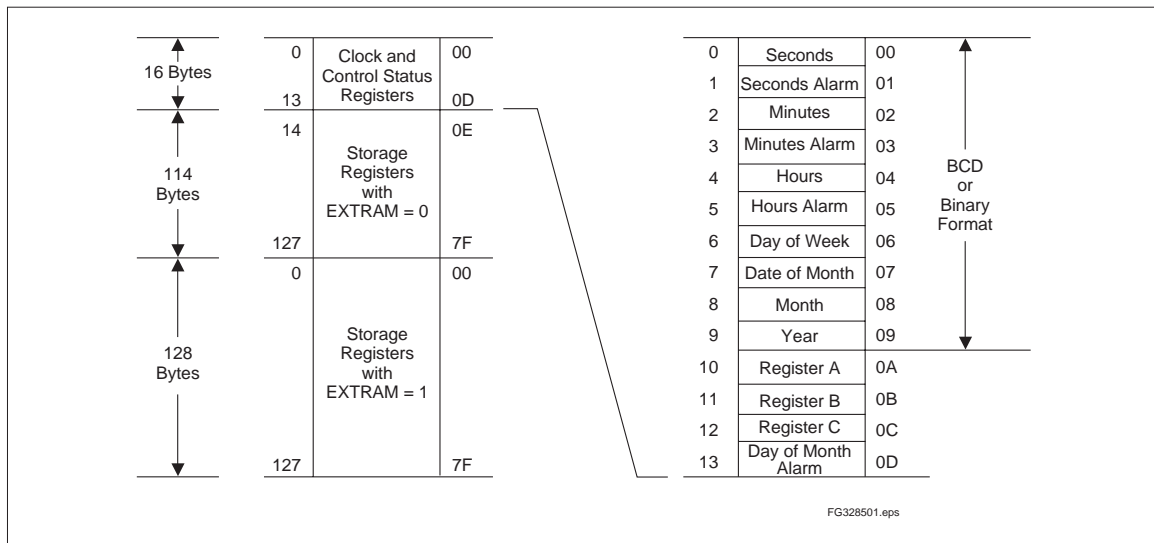


Figure 1. Address Map

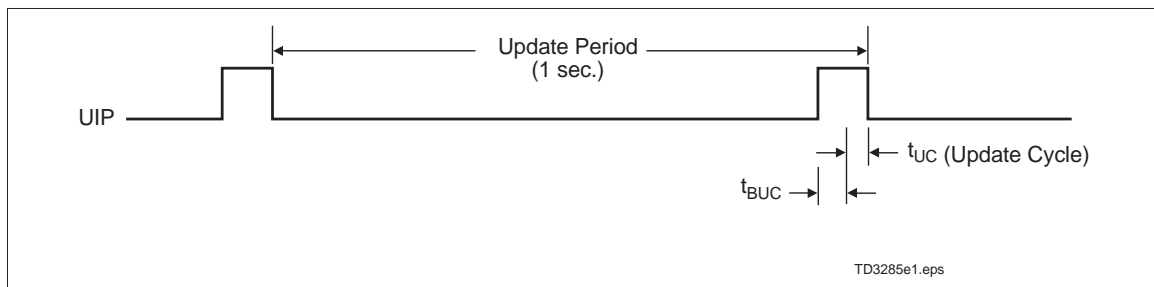


Figure 2. Update Period Timing and UIP

Programming the RTC

The time-of-day, alarm, and calendar bytes can be written in either the BCD or binary format (see Table 2).

These steps may be followed to program the time, alarm, and calendar:

1. Modify the contents of register B:
 - a. Write a 1 to the UTI bit to prevent transfers between RTC bytes and user buffer.
 - b. Write the appropriate value to the data format (DF) bit to select BCD or binary format for all time, alarm, and calendar bytes.
 - c. Write the appropriate value to the hour format (HF) bit.
 2. Write new values to all the time, alarm, and calendar locations.
 3. Clear the UTI bit to allow update transfers.
- On the next update cycle, the RTC updates all 10 bytes in the selected format.

Table 2. Time, Alarm, and Calendar Formats

| Address | RTC Bytes | Range | | |
|---------|-----------------------------|---------|---------------------------|---------------------------|
| | | Decimal | Binary | Binary-Coded Decimal |
| 0 | Seconds | 0-59 | 00H-3BH | 00H-59H |
| 1 | Seconds alarm | 0-59 | 00H-3BH | 00H-59H |
| 2 | Minutes | 0-59 | 00H-3BH | 00H-59H |
| 3 | Minutes alarm | 0-59 | 00H-3BH | 00H-59H |
| 4 | Hours, 12-hour format | 1-12 | 01H-OCH AM; 81H-8CH PM | 01H-12H AM; 81H-92H PM |
| | Hours, 24-hour format | 0-23 | 00H-17H | 00H-23H |
| 5 | Hours alarm, 12-hour format | 1-12 | 01H-OCH AM; 81H-8CH PM | 01H-12H AM; 81H-92H PM |
| | Hours alarm, 24-hour format | 0-23 | 00H-17H | 00H-23H |
| 6 | Day of week (1=Sunday) | 1-7 | 01H-07H | 01H-07H |
| 7 | Day of month | 1-31 | 01H-1FH | 01H-31H |
| 8 | Month | 1-12 | 01H-0CH | 01H-12H |
| 9 | Year | 0-99 | 00H-63H | 00H-99H |
| D | Day of month alarm | 1-31 | 01H-1FH | 01-31H |

bq3285ED/LD

32kHz Output

The bq3285ED/LD provides for a 32.768kHz output, and the output is always active whenever V_{CC} is valid ($V_{PFD} + t_{CSR}$). The bq3285ED/LD output is not affected by the bit settings in Register A. Time-keeping aspects, however, still require setting OS0-OS2.

Interrupts

The bq3285ED/LD allows three individually selected interrupt events to generate an interrupt request. These three interrupt events are:

- The periodic interrupt, programmable to occur once every 122 μ s to 500ms.
- The alarm interrupt, programmable to occur once per second to once per day, is active in battery-backup mode, providing a “wake-up” feature.
- The update-ended interrupt, which occurs at the end of each update cycle.

Each of the three interrupt events is enabled by an individual interrupt-enable bit in register B. When an event occurs, its event flag bit in register C is set. If the corresponding event enable bit is also set, then an interrupt request is generated. The interrupt request flag bit (INTF) of register C is set with every interrupt request. Reading register C clears all flag bits, including INTF, and makes \overline{INT} high-impedance.

Two methods can be used to process bq3285ED/LD interrupt events:

- Enable interrupt events and use the interrupt request output to invoke an interrupt service routine.
- Do not enable the interrupts and use a polling routine to periodically check the status of the flag bits.

The individual interrupt sources are described in detail in the following sections.

Table 3. Periodic Interrupt Rate

| Register A Bits | | | | | | | Periodic Interrupt | |
|-----------------|------|------|-----|-----|-----|-----|----------------------------------|---------|
| OSC2 | OSC1 | OSC0 | RS3 | RS2 | RS1 | RS0 | Period | Units |
| 0 | 1 | 0 | 0 | 0 | 0 | 0 | None | |
| 0 | 1 | 0 | 0 | 0 | 0 | 1 | 3.90625 | ms |
| 0 | 1 | 0 | 0 | 0 | 1 | 0 | 7.8125 | ms |
| 0 | 1 | 0 | 0 | 0 | 1 | 1 | 122.070 | μ s |
| 0 | 1 | 0 | 0 | 1 | 0 | 0 | 244.141 | μ s |
| 0 | 1 | 0 | 0 | 1 | 0 | 1 | 488.281 | μ s |
| 0 | 1 | 0 | 0 | 1 | 1 | 0 | 976.5625 | μ s |
| 0 | 1 | 0 | 0 | 1 | 1 | 1 | 1.95315 | ms |
| 0 | 1 | 0 | 1 | 0 | 0 | 0 | 3.90625 | ms |
| 0 | 1 | 0 | 1 | 0 | 0 | 1 | 7.8125 | ms |
| 0 | 1 | 0 | 1 | 0 | 1 | 0 | 15.625 | ms |
| 0 | 1 | 0 | 1 | 0 | 1 | 1 | 31.25 | ms |
| 0 | 1 | 0 | 1 | 1 | 0 | 0 | 62.5 | ms |
| 0 | 1 | 0 | 1 | 1 | 0 | 1 | 125 | ms |
| 0 | 1 | 0 | 1 | 1 | 1 | 0 | 250 | ms |
| 0 | 1 | 0 | 1 | 1 | 1 | 1 | 500 | ms |
| 0 | 1 | 1 | X | X | X | X | same as above defined by RS3–RS0 | |

July 1997

Periodic Interrupt

If the periodic interrupt event is enabled by writing a 1 to the periodic interrupt enable bit (PIE) in register C, an interrupt request is generated once every 122 μ s to 500ms. The period between interrupts is selected with bits RS3-RS0 in register A (see Table 3).

Alarm Interrupt

The alarm interrupt is active in battery-backup mode, providing a “wake-up” capability. During each update cycle, the RTC compares the day-of-the-month, hours, minutes, and seconds bytes with the four corresponding alarm bytes. If a match of all bytes is found, the alarm interrupt event flag bit, AF in register C, is set to 1. If the alarm event is enabled, an interrupt request is generated.

An alarm byte may be removed from the comparison by setting it to a “don’t care” state. The seconds, minutes, and hours alarm bytes are set to a “don’t care” state by writing a 1 to each of its two most-significant bits. The day-of-the-month alarm byte is set to a “don’t care” state by setting DA5–DA0, in register D, to all zeros. A “don’t care” state may be used to select the frequency of alarm interrupt events as follows:

- If none of the four alarm bytes is “don’t care,” the frequency is once per month, when day-of-the-month, hours, minutes, and seconds match.
- If only the day-of-the-month alarm byte is “don’t care”, the frequency is once per day, when hours, minutes, and seconds match.
- If only the day-of-the-month and hour alarm byte is “don’t care,” the frequency is once per hour, when minutes and seconds match.
- If only the day-of-the-month, hour and minute alarm bytes are “don’t care,” the frequency is once per minute, when seconds match.

- If the day-of-the-month, hour, minute, and second alarm bytes are “don’t care,” the frequency is once per second.

Update Cycle Interrupt

The update cycle ended flag bit (UF) in register C is set to a 1 at the end of an update cycle. If the update interrupt enable bit (UIE) of register B is 1, and the update transfer inhibit bit (UTI) in register B is 0, then an interrupt request is generated at the end of each update cycle.

Accessing RTC bytes

The EXTRAM pin must be low to access the RTC registers. Time and calendar bytes read during an update cycle may be in error. Three methods to access the time and calendar bytes without ambiguity are:

- Enable the update interrupt event to generate interrupt requests at the end of the update cycle. The interrupt handler has a maximum of 999ms to access the clock bytes before the next update cycle begins (see Figure 3).
- Poll the update-in-progress bit (UIP) in register A. If $UIP = 0$, the polling routine has a minimum of t_{BUC} time to access the clock bytes (see Figure 3).
- Use the periodic interrupt event to generate interrupt requests every t_{PI} time, such that $UIP = 1$ always occurs between the periodic interrupts. The interrupt handler has a minimum of $t_{PI}/2 + t_{BUC}$ time to access the clock bytes (see Figure 3).

Oscillator Control

When power is first applied to the bq3285ED/LD and V_{CC} is above V_{PFD} , the internal oscillator and frequency divider are turned on by writing a 010 pattern to bits 4 through 6 of register A. A pattern of 11X turns the oscillator on but keeps the frequency divider disabled. Any

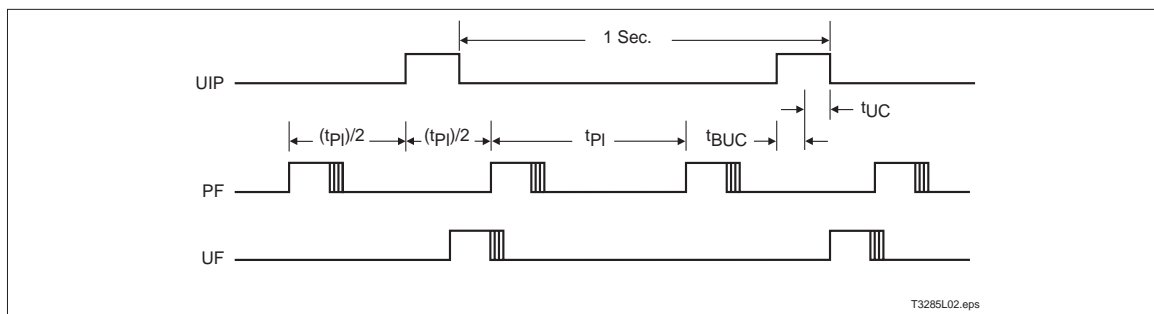


Figure 3. Update-Ended/Periodic Interrupt Relationship

bq3285ED/LD

other pattern to these bits keeps the oscillator off. A pattern of 010 must be set for the bq3285ED/LD to keep time in battery backup mode.

Power-Down/Power-Up Cycle

The bq3285ED and bq3285LD power-up/power-down cycles are different. The bq3285LD continuously monitors V_{CC} for out-of-tolerance. During a power failure, when V_{CC} falls below V_{PFD} (2.53V typical), the bq3285LD write-protects the clock and storage registers. The power source is switched to BC when V_{CC} is less than V_{PFD} and BC is greater than V_{PFD} , or when V_{CC} is less than V_{BC} and V_{BC} is less than V_{PFD} . RTC operation and storage data are sustained by a valid backup energy source. When V_{CC} is above V_{PFD} , the power source is V_{CC} . Write-protection continues for t_{CSR} time after V_{CC} rises above V_{PFD} .

The bq3285ED continuously monitors V_{CC} for out-of-tolerance. During a power failure, when V_{CC} falls below V_{PFD} (4.17V typical), the bq3285ED write-protects the clock and storage registers. When V_{CC} is below V_{BC} (3V typical), the power source is switched to BC. RTC operation and storage data are sustained by a valid backup energy source. When V_{CC} is above V_{BC} , the power source is V_{CC} . Write-protection continues for t_{CSR} time after V_{CC} rises above V_{PFD} .

Control/Status Registers

The four control/status registers of the bq3285ED/LD are accessible regardless of the status of the update cycle (see Table 4).

Register A

| Register A Bits | | | | | | | |
|-----------------|-----|-----|-----|-----|-----|-----|-----|
| 7 | 6 | 5 | 4 | 3 | 2 | 1 | 0 |
| UIP | OS2 | OS1 | OS0 | RS3 | RS2 | RS1 | RS0 |

Register A programs:

- The frequency of the periodic event rate.
- Oscillator operation.
- Time-keeping

Register A provides:

- Status of the update cycle.

RS0–RS3 - Frequency Select

| 7 | 6 | 5 | 4 | 3 | 2 | 1 | 0 |
|---|---|---|---|-----|-----|-----|-----|
| - | - | - | - | RS3 | RS2 | RS1 | RS0 |

These bits select the periodic interrupt rate, as shown in Table 3.

OS0–OS2 - Oscillator Control

| 7 | 6 | 5 | 4 | 3 | 2 | 1 | 0 |
|---|-----|-----|-----|---|---|---|---|
| - | OS2 | OS1 | OS0 | - | - | - | - |

These three bits control the state of the oscillator and divider stages. A pattern of 010 or 011 enables RTC operation by turning on the oscillator and enabling the frequency divider. This pattern must be set to turn the oscillator on and to ensure that the bq3285ED/LD keeps time in battery-backup mode. A pattern of 11X turns the oscillator on, but keeps the frequency divider disabled. When 010 is written, the RTC begins its first update after 500ms.

Table 4. Control/Status Registers

| Reg. | Loc. (Hex) | Read | Write | Bit Name and State on Reset | | | | | | | | | | | | | | | |
|------|------------|------|------------------|-----------------------------|----|-----|----|-----|----|-----|----|-----|----|-----|----|-----|---------|-----|----|
| | | | | 7 (MSB) | 6 | | 5 | | 4 | | 3 | | 2 | | 1 | | 0 (LSB) | | |
| A | 0A | Yes | Yes ¹ | UIP | na | OS2 | na | OS1 | na | OS0 | na | RS3 | na | RS2 | na | RS1 | na | RS0 | na |
| B | 0B | Yes | Yes | UTI | na | PIE | 0 | AIE | 0 | UIE | 0 | - | 0 | DF | na | HF | na | DSE | na |
| C | 0C | Yes | No | INTF | 0 | PF | 0 | AF | 0 | UF | 0 | - | 0 | - | na | - | 0 | - | 0 |
| D | 0D | Yes | Yes ² | VRT | na | - | 0 | DA5 | na | DA4 | na | DA3 | na | DA2 | na | DA1 | na | DA0 | na |

Notes: na = not affected.

1. Except bit 7.
2. Except bits 6 and 7.

UIP - Update Cycle Status

| | | | | | | | |
|-----|---|---|---|---|---|---|---|
| 7 | 6 | 5 | 4 | 3 | 2 | 1 | 0 |
| UIP | - | - | - | - | - | - | - |

This read-only bit is set prior to the update cycle. When UIP equals 1, an RTC update cycle may be in progress. UIP is cleared at the end of each update cycle. This bit is also cleared when the update transfer inhibit (UTI) bit in register B is 1.

Register B

| Register B Bits | | | | | | | |
|-----------------|-----|-----|-----|---|----|----|-----|
| 7 | 6 | 5 | 4 | 3 | 2 | 1 | 0 |
| UTI | PIE | AIE | UIE | - | DF | HF | DSE |

Register B enables:

- Update cycle transfer operation
- Interrupt events
- Daylight saving adjustment

Register B selects:

- Clock and calendar data formats

All bits of register B are read/write.

Bit 3 - Unused Bit.

DSE - Daylight Saving Enable

| | | | | | | | |
|---|---|---|---|---|---|---|-----|
| 7 | 6 | 5 | 4 | 3 | 2 | 1 | 0 |
| - | - | - | - | - | - | - | DSE |

This bit enables daylight-saving time adjustments when written to 1:

- On the last Sunday in October, the first time the bq3285ED/LD increments past 1:59:59 AM, the time falls back to 1:00:00 AM.
- On the first Sunday in April, the time springs forward from 2:00:00 AM to 3:00:00 AM.

HF - Hour Format

| | | | | | | | |
|---|---|---|---|---|---|----|---|
| 7 | 6 | 5 | 4 | 3 | 2 | 1 | 0 |
| - | - | - | - | - | - | HF | - |

This bit selects the time-of-day and alarm hour format:

- 1 = 24-hour format
- 0 = 12-hour format

July 1997

DF - Data Format

| | | | | | | | |
|---|---|---|---|---|----|---|---|
| 7 | 6 | 5 | 4 | 3 | 2 | 1 | 0 |
| - | - | - | - | - | DF | - | - |

This bit selects the numeric format in which the time, alarm, and calendar bytes are represented:

- 1 = Binary
- 0 = BCD

UIE - Update Cycle Interrupt Enable

| | | | | | | | |
|---|---|---|-----|---|---|---|---|
| 7 | 6 | 5 | 4 | 3 | 2 | 1 | 0 |
| - | - | - | UIE | - | - | - | - |

This bit enables an interrupt request due to an update ended interrupt event:

- 1 = Enabled
- 0 = Disabled

The UIE bit is automatically cleared when the UTI bit equals 1.

AIE - Alarm Interrupt Enable

| | | | | | | | |
|---|---|-----|---|---|---|---|---|
| 7 | 6 | 5 | 4 | 3 | 2 | 1 | 0 |
| - | - | AIE | - | - | - | - | - |

This bit enables an interrupt request due to an alarm interrupt event:

- 1 = Enabled
- 0 = Disabled

PIE - Periodic Interrupt Enable

| | | | | | | | |
|---|-----|---|---|---|---|---|---|
| 7 | 6 | 5 | 4 | 3 | 2 | 1 | 0 |
| - | PIE | - | - | - | - | - | - |

This bit enables an interrupt request due to a periodic interrupt event:

- 1 = Enabled
- 0 = Disabled

UTI - Update Transfer Inhibit

| | | | | | | | |
|-----|---|---|---|---|---|---|---|
| 7 | 6 | 5 | 4 | 3 | 2 | 1 | 0 |
| UTI | - | - | - | - | - | - | - |

bq3285ED/LD

This bit inhibits the transfer of RTC bytes to the user buffer:

- 1 = Inhibits transfer and clears UIE
- 0 = Allows transfer

Register C

| Register C Bits | | | | | | | |
|-----------------|----|----|----|---|---|---|---|
| 7 | 6 | 5 | 4 | 3 | 2 | 1 | 0 |
| INTF | PF | AF | UF | 0 | - | 0 | 0 |

Register C is the read-only event status register.

Bits 0, 1, 2, 3 - Unused Bits

| 7 | 6 | 5 | 4 | 3 | 2 | 1 | 0 |
|---|---|---|---|---|---|---|---|
| - | - | - | - | 0 | - | 0 | 0 |

These bits are always set to 0.

UF - Update Event Flag

| 7 | 6 | 5 | 4 | 3 | 2 | 1 | 0 |
|---|---|---|----|---|---|---|---|
| - | - | - | UF | - | - | - | - |

This bit is set to a 1 at the end of the update cycle. Reading register C clears this bit.

AF - Alarm Event Flag

| 7 | 6 | 5 | 4 | 3 | 2 | 1 | 0 |
|---|---|----|---|---|---|---|---|
| - | - | AF | - | - | - | - | - |

This bit is set to a 1 when an alarm event occurs. Reading register C clears this bit.

PF - Periodic Event Flag

| 7 | 6 | 5 | 4 | 3 | 2 | 1 | 0 |
|---|----|---|---|---|---|---|---|
| - | PF | - | - | - | - | - | - |

This bit is set to a 1 every t_{PI} time, where t_{PI} is the time period selected by the settings of RS0–RS3 in register A. Reading register C clears this bit.

INTF - Interrupt Request Flag

| 7 | 6 | 5 | 4 | 3 | 2 | 1 | 0 |
|------|---|---|---|---|---|---|---|
| INTF | - | - | - | - | - | - | - |

This flag is set to a 1 when any of the following is true:

AIE = 1 and AF = 1

PIE = 1 and PF = 1

UIE = 1 and UF = 1

Reading register C clears this bit.

Register D

| Register D Bits | | | | | | | |
|-----------------|---|-----|-----|-----|-----|-----|-----|
| 7 | 6 | 5 | 4 | 3 | 2 | 1 | 0 |
| VRT | 0 | DA5 | DA4 | DA3 | DA2 | DA1 | DA0 |

Register D provides for the read-only data integrity status bit, and the day-of-the-month alarm.

Bits 6 - Unused Bit

| 7 | 6 | 5 | 4 | 3 | 2 | 1 | 0 |
|---|---|---|---|---|---|---|---|
| - | 0 | - | - | - | - | - | - |

This bit is always set to 0.

VRT - Valid RAM and Time

| 7 | 6 | 5 | 4 | 3 | 2 | 1 | 0 |
|-----|---|---|---|---|---|---|---|
| VRT | - | - | - | - | - | - | - |

1 = Valid backup energy source

0 = Backup energy source is depleted

When the backup energy source is depleted (VRT = 0), data integrity of the RTC and storage registers is not guaranteed.

DA0–DA5

| 7 | 6 | 5 | 4 | 3 | 2 | 1 | 0 |
|---|---|-----|-----|-----|-----|-----|------|
| - | - | DA5 | DA4 | DA3 | DA2 | DA1 | DA0- |

These bits store the value for the day-of-the-month alarm. If DA0–DA5 are set to zero, then the day-of-the-month alarm is disabled. These bits are not affected by a reset.

Absolute Maximum Ratings—bq3285ED

| Symbol | Parameter | Value | Unit | Conditions |
|---------------------|---|-------------|------|--|
| V _{CC} | DC voltage applied on V _{CC} relative to V _{SS} | -0.3 to 7.0 | V | |
| V _T | DC voltage applied on any pin excluding V _{CC} relative to V _{SS} | -0.3 to 7.0 | V | V _T ≤ V _{CC} + 0.3 |
| T _{OPR} | Operating temperature | 0 to +70 | °C | Commercial |
| T _{STG} | Storage temperature | -55 to +125 | °C | |
| T _{BIAS} | Temperature under bias | -40 to +85 | °C | |
| T _{SOLDER} | Soldering temperature | 260 | °C | For 10 seconds |

Note: Permanent device damage may occur if **Absolute Maximum Ratings** are exceeded. Functional operation should be limited to the Recommended DC Operating Conditions detailed in this data sheet. Exposure to conditions beyond the operational limits for extended periods of time may affect device reliability.

Absolute Maximum Ratings—bq3285LD

| Symbol | Parameter | Value | Unit | Conditions |
|---------------------|---|-------------|------|--|
| V _{CC} | DC voltage applied on V _{CC} relative to V _{SS} | -0.3 to 7.0 | V | |
| V _T | DC voltage applied on any pin excluding V _{CC} relative to V _{SS} | -0.3 to 7.0 | V | V _T ≤ V _{CC} + 0.3 |
| T _{OPR} | Operating temperature | 0 to +70 | °C | Commercial |
| T _{STG} | Storage temperature | -55 to +125 | °C | |
| T _{BIAS} | Temperature under bias | -40 to +85 | °C | |
| T _{SOLDER} | Soldering temperature | 260 | °C | For 10 seconds |

Note: Permanent device damage may occur if **Absolute Maximum Ratings** are exceeded. Functional operation should be limited to the Recommended DC Operating Conditions detailed in this data sheet. Exposure to conditions beyond the operational limits for extended periods of time may affect device reliability.

bq3285ED/LD

Recommended DC Operating Conditions—bq3285ED ($T_A = T_{OPR}$)

| Symbol | Parameter | Minimum | Typical | Maximum | Unit |
|-----------------|---------------------|---------|---------|-----------------------|------|
| V _{CC} | Supply voltage | 4.5 | 5.0 | 5.5 | V |
| V _{SS} | Supply voltage | 0 | 0 | 0 | V |
| V _{IL} | Input low voltage | -0.3 | - | 0.8 | V |
| V _{IH} | Input high voltage | 2.2 | - | V _{CC} + 0.3 | V |
| V _{BC} | Backup cell voltage | 2.4 | - | 4.0 | V |

Note: Typical values indicate operation at $T_A = 25^\circ\text{C}$.

Recommended DC Operating Conditions—bq3285LD ($T_A = T_{OPR}$)

| Symbol | Parameter | Minimum | Typical | Maximum | Unit |
|-----------------|---------------------|---------|---------|-----------------------|------|
| V _{CC} | Supply voltage | 2.7 | 3.0 | 5.5 | V |
| V _{SS} | Supply voltage | 0 | 0 | 0 | V |
| V _{IL} | Input low voltage | -0.3 | - | 0.6 | V |
| V _{IH} | Input high voltage | 2.2 | - | V _{CC} + 0.3 | V |
| V _{BC} | Backup cell voltage | 2.4 | - | 4.0 | V |

Note: Typical values indicate operation at $T_A = 25^\circ\text{C}$.

Crystal Specifications—bq3285ED/LD (DT-26 or Equivalent)

| Symbol | Parameter | Minimum | Typical | Maximum | Unit |
|--------------------------------|------------------------------|---------|---------|---------|--------|
| f ₀ | Oscillation frequency | - | 32.768 | - | kHz |
| C _L | Load capacitance | - | 6 | - | pF |
| T _P | Temperature turnover point | 20 | 25 | 30 | °C |
| k | Parabolic curvature constant | - | - | -0.042 | ppm/°C |
| Q | Quality factor | 40,000 | 70,000 | - | |
| R ₁ | Series resistance | - | - | 45 | KΩ |
| C ₀ | Shunt capacitance | - | 1.1 | 1.8 | pF |
| C ₀ /C ₁ | Capacitance ratio | - | 430 | 600 | |
| D _L | Drive level | - | - | 1 | μW |
| Δf/f ₀ | Aging (first year at 25°C) | - | 1 | - | ppm |

July 1997

DC Electrical Characteristics—bq3285ED ($T_A = T_{OPR}$, $V_{CC} = 5V$)

| Symbol | Parameter | Minimum | Typical | Maximum | Unit | Conditions/Notes |
|---------------------|--|---------|-----------------|---------|------|--|
| I _{LI} | Input leakage current | - | - | ± 1 | μA | V _{IN} = V _{SS} to V _{CC} |
| I _{LO} | Output leakage current | - | - | ± 1 | μA | AD ₀ –AD ₇ and \overline{INT} in high impedance, V _{OUT} = V _{SS} to V _{CC} |
| V _{OH} | Output high voltage | 2.4 | - | - | V | I _{OH} = -2.0 mA |
| V _{OL} | Output low voltage | - | - | 0.4 | V | I _{OL} = 4.0 mA |
| I _{CC} | Operating supply current | - | 7 | 15 | mA | Min. cycle, duty = 100%, I _{OH} = 0mA, I _{OL} = 0mA |
| I _{CCSB} | Standby supply current | - | 300 | - | μA | V _{IN} = V _{SS} or V _{CC} , CS ≥ V _{CC} - 0.2 |
| V _{SO} | Supply switch-over voltage | - | V _{BC} | - | V | |
| I _{CCB} | Battery operation current | - | 0.4 | 0.55 | μA | V _{BC} = 3V, T _A = 25°C |
| V _{PFD} | Power-fail-detect voltage | 4.0 | 4.17 | 4.35 | V | |
| I _{RCL} | Input current when $\overline{RCL} = V_{SS}$. | - | - | 185 | μA | Internal 30K pull-up |
| I _{MOTH} | Input current when MOT = V _{CC} | - | - | -185 | μA | Internal 30K pull-down |
| | Input current when MOT = V _{SS} | - | - | 0 | μA | Internal 30K pull-down |
| I _{EXTRAM} | Input current when EXTRAM = V _{CC} | - | - | -185 | μA | Internal 30K pull-down |
| | Input current when EXTRAM = V _{SS} | - | - | 0 | μA | Internal 30K pull-down |

Note: Typical values indicate operation at T_A = 25°C, V_{CC} = 5V or V_{BC} = 3V.

bq3285ED/LD

DC Electrical Characteristics—bq3285LD ($T_A = T_{OPR}$, $V_{CC} = 3V$)

| Symbol | Parameter | Minimum | Typical ¹ | Maximum | Unit | Conditions/Notes |
|-------------|--|---------|----------------------|---------|---------|--|
| I_{LI} | Input leakage current | - | - | ± 1 | μA | $V_{IN} = V_{SS}$ to V_{CC} |
| I_{LO} | Output leakage current | - | - | ± 1 | μA | AD_0 – AD_7 and \overline{INT} in high impedance, $V_{OUT} = V_{SS}$ to V_{CC} |
| V_{OH} | Output high voltage | 2.2 | - | - | V | $I_{OH} = -1.0$ mA |
| V_{OL} | Output low voltage | - | - | 0.4 | V | $I_{OL} = 2.0$ mA |
| I_{CC} | Operating supply current | - | 5 ² | 9 | mA | Min. cycle, duty = 100%, $I_{OH} = 0$ mA, $I_{OL} = 0$ mA |
| I_{CCSB} | Standby supply current | - | 100 ³ | - | μA | $V_{IN} = V_{SS}$ or V_{CC} , $CS \geq V_{CC} - 0.2$ |
| V_{SO} | Supply switch-over voltage | - | V_{PFD} | - | V | $V_{BC} > V_{PFD}$ |
| | | - | V_{BC} | - | V | $V_{BC} < V_{PFD}$ |
| I_{CCB} | Battery operation current | - | 0.4 | 0.55 | μA | $V_{BC} = 3V$, $T_A = 25^\circ C$, $V_{CC} < V_{BC}$ |
| V_{PFD} | Power-fail-detect voltage | 2.4 | 2.53 | 2.65 | V | |
| I_{RCL} | Input current when $\overline{RCL} = V_{SS}$. | - | - | 120 | μA | Internal 30K pull-up |
| I_{MOTH} | Input current when $MOT = V_{CC}$ | - | - | -120 | μA | Internal 30K pull-down |
| | Input current when $MOT = V_{SS}$ | - | - | 0 | μA | Internal 30K pull-down |
| I_{XTRAM} | Input current when $EXTRAM = V_{CC}$ | - | - | -120 | μA | Internal 30K pull-down |
| | Input current when $EXTRAM = V_{SS}$ | - | - | 0 | μA | Internal 30K pull-down |

- Notes:**
1. Typical values indicate operation at $T_A = 25^\circ C$, $V_{CC} = 3V$.
 2. 7mA at $V_{CC} = 5V$
 3. 300 μA at $V_{CC} = 5V$

Capacitance—bq3285ED/LD ($T_A = 25^\circ\text{C}$, $F = 1\text{MHz}$, $V_{CC} = 5.0\text{V}$)

| Symbol | Parameter | Minimum | Typical | Maximum | Unit | Conditions |
|-----------|--------------------------|---------|---------|---------|------|-----------------------|
| $C_{I/O}$ | Input/output capacitance | - | - | 7 | pF | $V_{OUT} = 0\text{V}$ |
| C_{IN} | Input capacitance | - | - | 5 | pF | $V_{IN} = 0\text{V}$ |

Note: This parameter is sampled and not 100% tested. It does not include the X1 or X2 pin.

AC Test Conditions—bq3285ED

| Parameter | Test Conditions |
|--|------------------------------------|
| Input pulse levels | 0 to 3.0 V |
| Input rise and fall times | 5 ns |
| Input and output timing reference levels | 1.5 V (unless otherwise specified) |
| Output load (including scope and jig) | See Figures 4 and 5 |

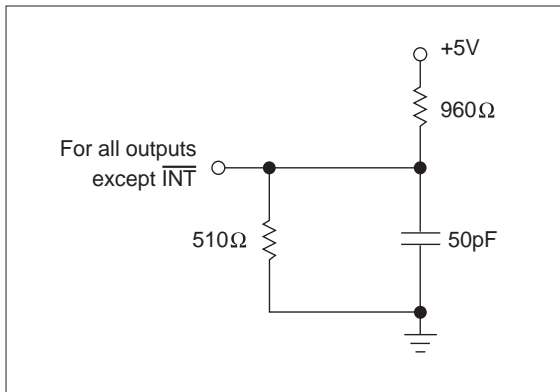


Figure 4. Output Load—bq3285ED

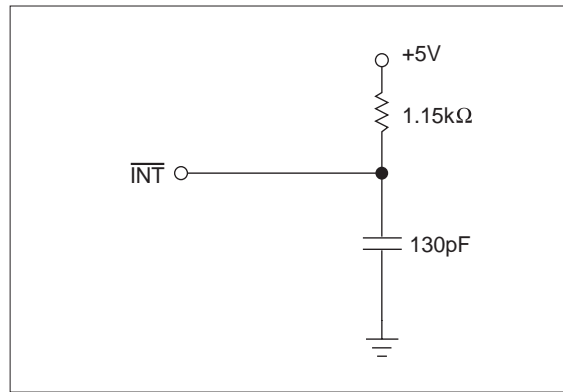


Figure 5. Output Load—bq3285ED

bq3285ED/LD

AC Test Conditions—bq3285LD

| Parameter | Test Conditions |
|--|------------------------------------|
| Input pulse levels | 0 to 2.3 V, $V_{CC} = 3V^1$ |
| Input rise and fall times | 5 ns |
| Input and output timing reference levels | 1.2 V (unless otherwise specified) |
| Output load (including scope and jig) | See Figures 6 and 7 |

Note: 1. For 5V timing, please refer to bq3285ED.

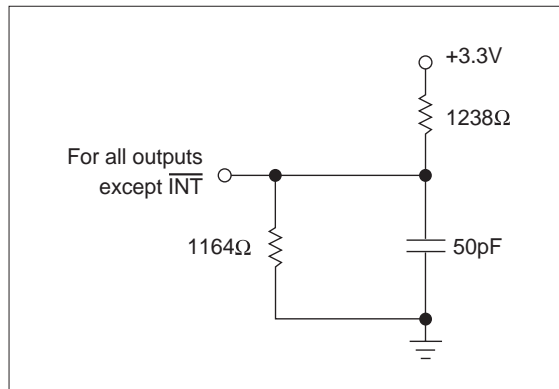


Figure 6. Output Load—bq3285LD

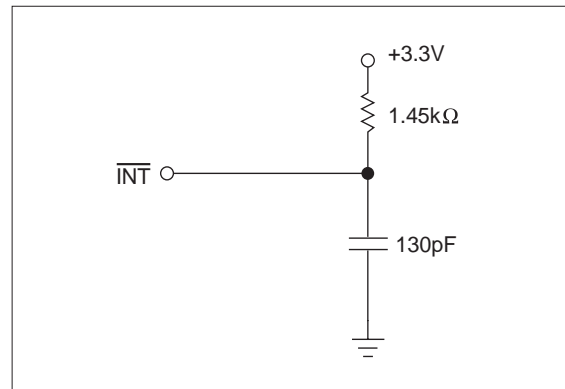


Figure 7. Output Load B—bq3285LD

Read/Write Timing—bq3285ED ($T_A = T_{OPR}$, $V_{CC} = 5V$)

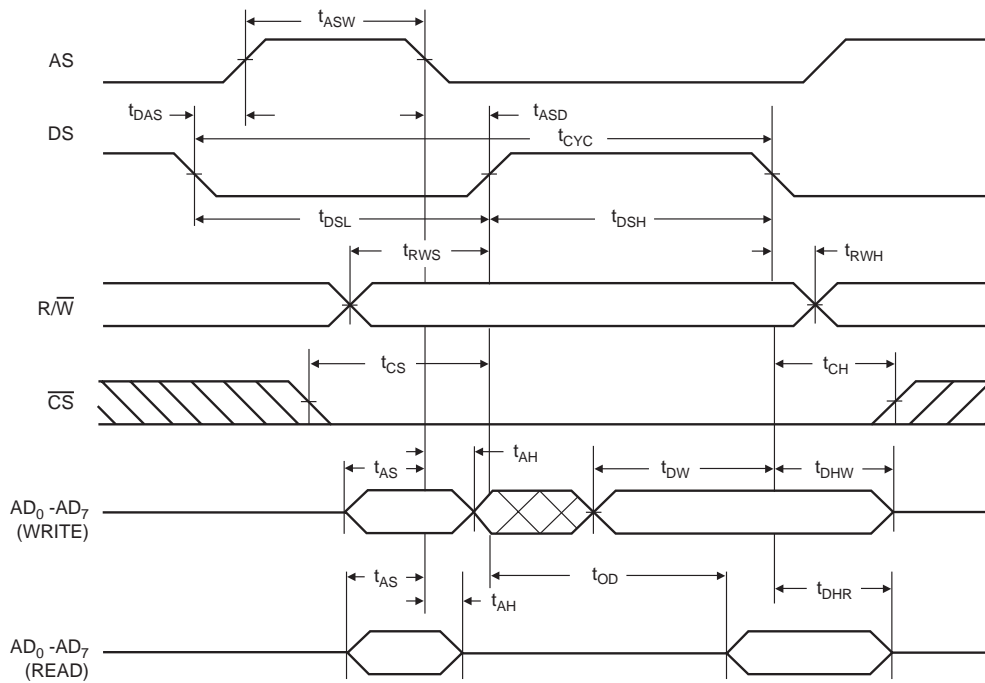
| Symbol | Parameter | Minimum | Typical | Maximum | Unit | Notes |
|------------------|---|---------|---------|---------|---------|-------------|
| t _{CYC} | Cycle time | 160 | - | - | ns | |
| t _{DSL} | DS low or $\overline{RD}/\overline{WR}$ high time | 80 | - | - | ns | |
| t _{DSH} | DS high or $\overline{RD}/\overline{WR}$ low time | 55 | - | - | ns | |
| t _{RWH} | R/\overline{W} hold time | 0 | - | - | ns | |
| t _{RWS} | R/\overline{W} setup time | 10 | - | - | ns | |
| t _{CS} | Chip select setup time | 5 | - | - | ns | |
| t _{CH} | Chip select hold time | 0 | - | - | ns | |
| t _{DHR} | Read data hold time | 0 | - | 25 | ns | |
| t _{DHW} | Write data hold time | 0 | - | - | ns | |
| t _{AS} | Address setup time | 20 | - | - | ns | |
| t _{AH} | Address hold time | 5 | - | - | ns | |
| t _{DAS} | Delay time, DS to AS rise | 10 | - | - | ns | |
| t _{ASW} | Pulse width, AS high | 30 | - | - | ns | |
| t _{ASD} | Delay time, AS to DS rise ($\overline{RD}/\overline{WR}$ fall) | 35 | - | - | ns | |
| t _{OD} | Output data delay time from DS rise (RD fall) | - | - | 50 | ns | |
| t _{DW} | Write data setup time | 30 | - | - | ns | |
| t _{BUC} | Delay time before update cycle | - | 244 | - | μ s | |
| t _{PI} | Periodic interrupt time interval | - | - | - | - | See Table 3 |
| t _{UC} | Time of update cycle | - | 1 | - | μ s | |

bq3285ED/LD

Read/Write Timing—bq3285LD ($T_A = T_{OPR}$, $V_{CC} = 3V$)

| Symbol | Parameter | Minimum | Typical | Maximum | Unit | Notes |
|------------------|---|---------|---------|---------|---------|-------------|
| t _{CYC} | Cycle time | 270 | - | - | ns | |
| t _{DSL} | DS low or $\overline{RD}/\overline{WR}$ high time | 135 | - | - | ns | |
| t _{DSH} | DS high or $\overline{RD}/\overline{WR}$ low time | 90 | - | - | ns | |
| t _{RWH} | R/ \overline{W} hold time | 0 | - | - | ns | |
| t _{RWS} | R/ \overline{W} setup time | 15 | - | - | ns | |
| t _{CS} | Chip select setup time | 8 | - | - | ns | |
| t _{CH} | Chip select hold time | 0 | - | - | ns | |
| t _{DHR} | Read data hold time | 0 | - | 40 | ns | |
| t _{DHW} | Write data hold time | 0 | - | - | ns | |
| t _{AS} | Address setup time | 30 | - | - | ns | |
| t _{AH} | Address hold time | 15 | - | - | ns | |
| t _{DAS} | Delay time, DS to AS rise | 15 | - | - | ns | |
| t _{ASW} | Pulse width, AS high | 50 | - | - | ns | |
| t _{ASD} | Delay time, AS to DS rise ($\overline{RD}/\overline{WR}$ fall) | 55 | - | - | ns | |
| t _{OD} | Output data delay time from DS rise (\overline{RD} fall) | - | - | 100 | ns | |
| t _{DW} | Write data setup time | 50 | - | - | ns | |
| t _{BUC} | Delay time before update cycle | - | 244 | - | μ s | |
| t _{PI} | Periodic interrupt time interval | - | - | - | - | See Table 3 |
| t _{UC} | Time of update cycle | - | 1 | - | μ s | |

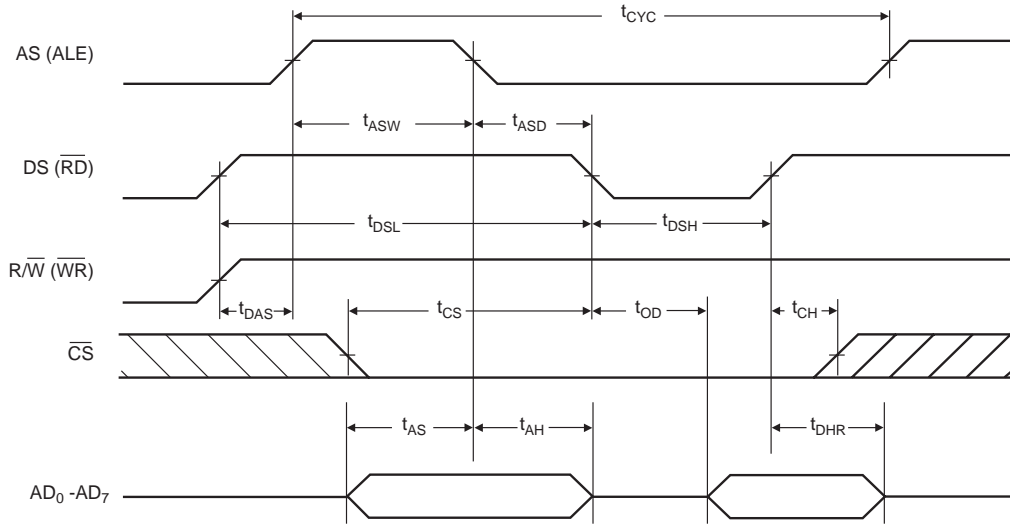
Motorola Bus Read/Write Timing—bq3285ED/LD



T3285L03.eps

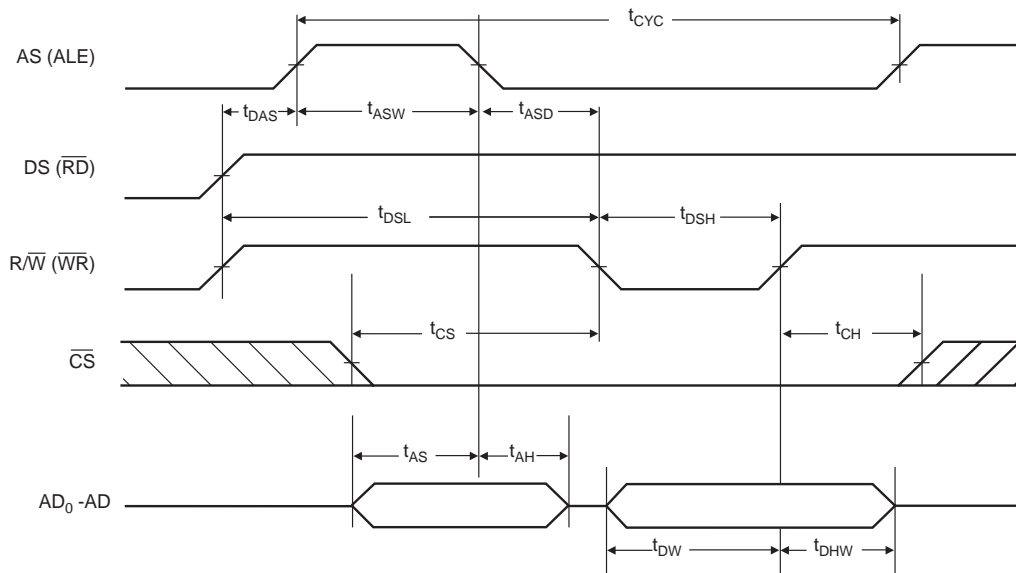
bq3285ED/LD

Intel Bus Read Timing—bq3285ED/LD



T3285L04.eps

Intel Bus Write Timing—bq3285ED/LD



T3285L05.eps

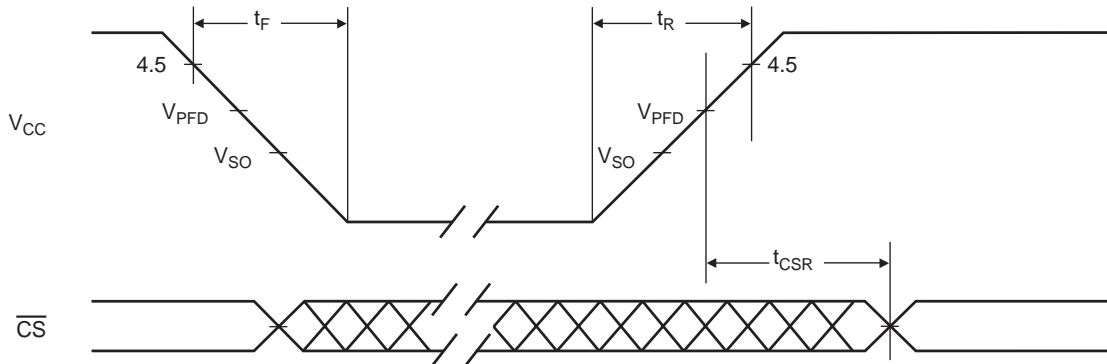
July 1997

Power-Down/Power-Up Timing—bq3285ED ($T_A = T_{OPR}$)

| Symbol | Parameter | Minimum | Typical | Maximum | Unit | Conditions |
|-----------|--|---------|---------|---------|---------|---|
| t_F | V_{CC} slew from 4.5V to 0V | 300 | - | - | μs | |
| t_R | V_{CC} slew from 0V to 4.5V | 100 | - | - | μs | |
| t_{CSR} | \overline{CS} at V_{IH} after power-up | 20 | - | 200 | ms | Internal write-protection period after V_{CC} passes V_{PFD} on power-up. |

Caution: Negative undershoots below the absolute maximum rating of -0.3V in battery-backup mode may affect data integrity.

Power-Down/Power-Up Timing—bq3285ED



T3285L08.eps

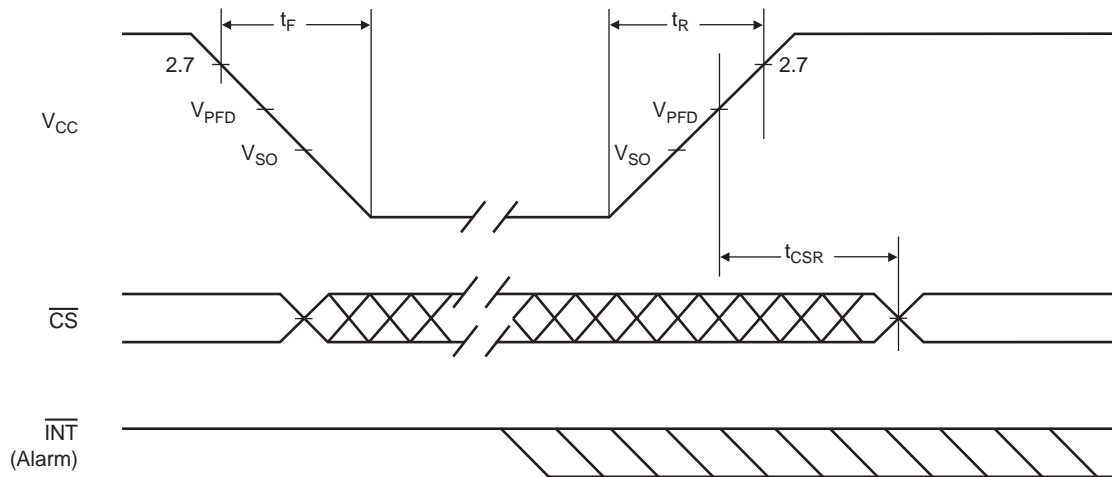
bq3285ED/LD

Power-Down/Power-Up Timing—bq3285LD ($T_A = T_{OPR}$)

| Symbol | Parameter | Minimum | Typical | Maximum | Unit | Conditions |
|-----------|---|---------|---------|---------|---------------|---|
| t_F | V_{CC} slew from 2.7V to 0V | 300 | - | - | μs | |
| t_R | V_{CC} slew from 0V to 2.7V | 100 | - | - | μs | |
| t_{CSR} | $\overline{\text{CS}}$ at V_{IH} after power-up | 20 | - | 200 | ms | Internal write-protection period after V_{CC} passes V_{PFD} on power-up. |

Caution: Negative undershoots below the absolute maximum rating of -0.3V in battery-backup mode may affect data integrity.

Power-Down/Power-Up Timing—bq3285LD

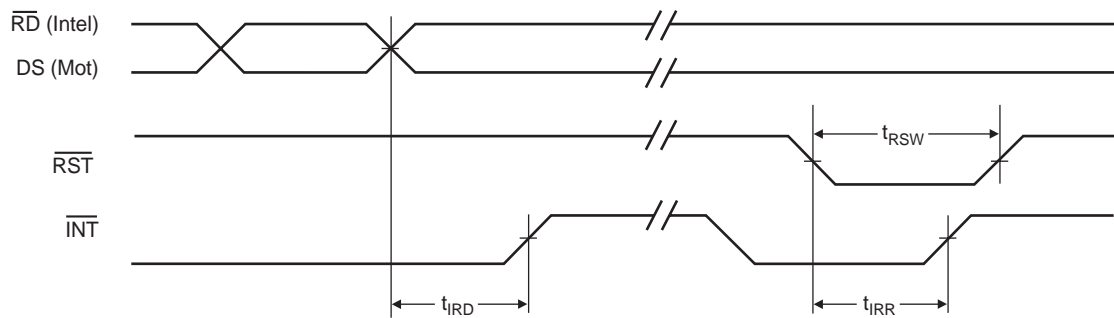


T3285L06.eps

Interrupt Delay Timing—bq3285ED/LD ($T_A = T_{OPR}$)

| Symbol | Parameter | Minimum | Typical | Maximum | Unit |
|-----------|--|---------|---------|---------|---------|
| t_{RSW} | Reset pulse width | 5 | - | - | μs |
| t_{IRR} | \overline{INT} release from \overline{RST} | - | - | 2 | μs |
| t_{IRD} | \overline{INT} release from DS | - | - | 2 | μs |

Interrupt Delay Timing—bq3285ED/LD



T3285L07.eps

PACKAGING INFORMATION

| Orderable Device | Status ⁽¹⁾ | Package Type | Package Drawing | Pins | Package Qty | Eco Plan ⁽²⁾ | Lead/Ball Finish | MSL Peak Temp ⁽³⁾ |
|------------------|-----------------------|---------------|-----------------|------|-------------|-------------------------|------------------|------------------------------|
| BQ3285EDSS | OBSOLETE | SSOP | DB | 24 | | TBD | Call TI | Call TI |
| BQ3285EDSSTR | OBSOLETE | SSOP | DB | 24 | | TBD | Call TI | Call TI |
| BQ3285LDSS | ACTIVE | SSOP/ QSOP | DBQ | 24 | 50 | Green (RoHS & no Sb/Br) | CU NIPDAU | Level-2-260C-1 YEAR |
| BQ3285LDSSG4 | ACTIVE | SSOP/ QSOP | DBQ | 24 | 50 | Green (RoHS & no Sb/Br) | CU NIPDAU | Level-2-260C-1 YEAR |
| BQ3285LDSSTR | ACTIVE | SSOP/ QSOP | DBQ | 24 | 2500 | Green (RoHS & no Sb/Br) | CU NIPDAU | Level-2-260C-1 YEAR |
| BQ3285LDSSTRG4 | ACTIVE | SSOP/ QSOP | DBQ | 24 | 2500 | Green (RoHS & no Sb/Br) | CU NIPDAU | Level-2-260C-1 YEAR |

⁽¹⁾ The marketing status values are defined as follows:

ACTIVE: Product device recommended for new designs.

LIFEBUY: TI has announced that the device will be discontinued, and a lifetime-buy period is in effect.

NRND: Not recommended for new designs. Device is in production to support existing customers, but TI does not recommend using this part in a new design.

PREVIEW: Device has been announced but is not in production. Samples may or may not be available.

OBSOLETE: TI has discontinued the production of the device.

⁽²⁾ Eco Plan - The planned eco-friendly classification: Pb-Free (RoHS), Pb-Free (RoHS Exempt), or Green (RoHS & no Sb/Br) - please check <http://www.ti.com/productcontent> for the latest availability information and additional product content details.

TBD: The Pb-Free/Green conversion plan has not been defined.

Pb-Free (RoHS): TI's terms "Lead-Free" or "Pb-Free" mean semiconductor products that are compatible with the current RoHS requirements for all 6 substances, including the requirement that lead not exceed 0.1% by weight in homogeneous materials. Where designed to be soldered at high temperatures, TI Pb-Free products are suitable for use in specified lead-free processes.

Pb-Free (RoHS Exempt): This component has a RoHS exemption for either 1) lead-based flip-chip solder bumps used between the die and package, or 2) lead-based die adhesive used between the die and leadframe. The component is otherwise considered Pb-Free (RoHS compatible) as defined above.

Green (RoHS & no Sb/Br): TI defines "Green" to mean Pb-Free (RoHS compatible), and free of Bromine (Br) and Antimony (Sb) based flame retardants (Br or Sb do not exceed 0.1% by weight in homogeneous material)

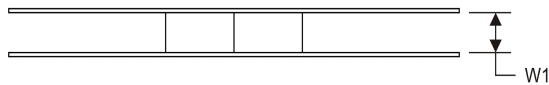
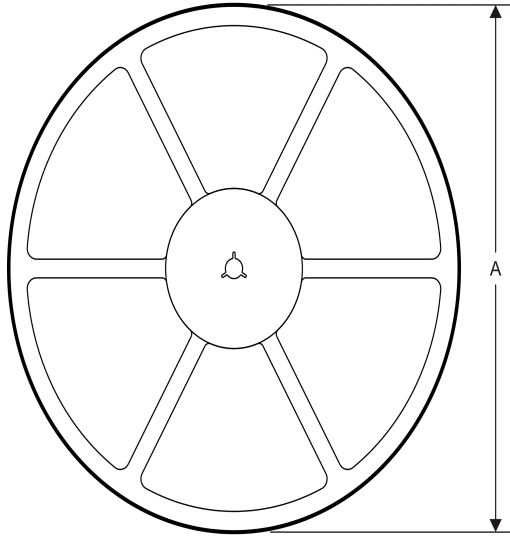
⁽³⁾ MSL, Peak Temp. -- The Moisture Sensitivity Level rating according to the JEDEC industry standard classifications, and peak solder temperature.

Important Information and Disclaimer:The information provided on this page represents TI's knowledge and belief as of the date that it is provided. TI bases its knowledge and belief on information provided by third parties, and makes no representation or warranty as to the accuracy of such information. Efforts are underway to better integrate information from third parties. TI has taken and continues to take reasonable steps to provide representative and accurate information but may not have conducted destructive testing or chemical analysis on incoming materials and chemicals. TI and TI suppliers consider certain information to be proprietary, and thus CAS numbers and other limited information may not be available for release.

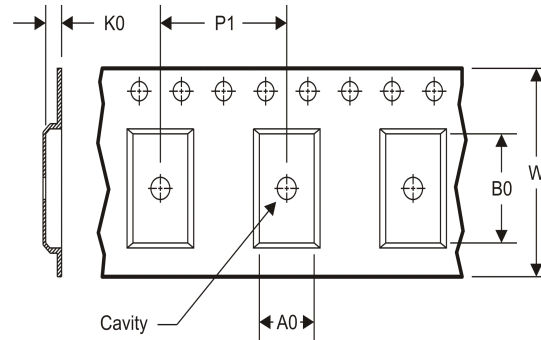
In no event shall TI's liability arising out of such information exceed the total purchase price of the TI part(s) at issue in this document sold by TI to Customer on an annual basis.

TAPE AND REEL INFORMATION

REEL DIMENSIONS



TAPE DIMENSIONS



| | |
|----|---|
| A0 | Dimension designed to accommodate the component width |
| B0 | Dimension designed to accommodate the component length |
| K0 | Dimension designed to accommodate the component thickness |
| W | Overall width of the carrier tape |
| P1 | Pitch between successive cavity centers |

TAPE AND REEL INFORMATION

*All dimensions are nominal

| Device | Package Type | Package Drawing | Pins | SPQ | Reel Diameter (mm) | Reel Width W1 (mm) | A0 (mm) | B0 (mm) | K0 (mm) | P1 (mm) | W (mm) | Pin1 Quadrant |
|--------------|--------------|-----------------|------|------|--------------------|--------------------|---------|---------|---------|---------|--------|---------------|
| BQ3285LDSSTR | SSOP/QSOP | DBQ | 24 | 2500 | 330.0 | 16.4 | 6.5 | 9.0 | 2.1 | 8.0 | 16.0 | Q1 |

TAPE AND REEL BOX DIMENSIONS



*All dimensions are nominal

| Device | Package Type | Package Drawing | Pins | SPQ | Length (mm) | Width (mm) | Height (mm) |
|--------------|--------------|-----------------|------|------|-------------|------------|-------------|
| BQ3285LDSSTR | SSOP/QSOP | DBQ | 24 | 2500 | 210.0 | 185.0 | 35.0 |

IMPORTANT NOTICE

Texas Instruments Incorporated and its subsidiaries (TI) reserve the right to make corrections, modifications, enhancements, improvements, and other changes to its products and services at any time and to discontinue any product or service without notice. Customers should obtain the latest relevant information before placing orders and should verify that such information is current and complete. All products are sold subject to TI's terms and conditions of sale supplied at the time of order acknowledgment.

TI warrants performance of its hardware products to the specifications applicable at the time of sale in accordance with TI's standard warranty. Testing and other quality control techniques are used to the extent TI deems necessary to support this warranty. Except where mandated by government requirements, testing of all parameters of each product is not necessarily performed.

TI assumes no liability for applications assistance or customer product design. Customers are responsible for their products and applications using TI components. To minimize the risks associated with customer products and applications, customers should provide adequate design and operating safeguards.

TI does not warrant or represent that any license, either express or implied, is granted under any TI patent right, copyright, mask work right, or other TI intellectual property right relating to any combination, machine, or process in which TI products or services are used. Information published by TI regarding third-party products or services does not constitute a license from TI to use such products or services or a warranty or endorsement thereof. Use of such information may require a license from a third party under the patents or other intellectual property of the third party, or a license from TI under the patents or other intellectual property of TI.

Reproduction of TI information in TI data books or data sheets is permissible only if reproduction is without alteration and is accompanied by all associated warranties, conditions, limitations, and notices. Reproduction of this information with alteration is an unfair and deceptive business practice. TI is not responsible or liable for such altered documentation. Information of third parties may be subject to additional restrictions.

Resale of TI products or services with statements different from or beyond the parameters stated by TI for that product or service voids all express and any implied warranties for the associated TI product or service and is an unfair and deceptive business practice. TI is not responsible or liable for any such statements.

TI products are not authorized for use in safety-critical applications (such as life support) where a failure of the TI product would reasonably be expected to cause severe personal injury or death, unless officers of the parties have executed an agreement specifically governing such use. Buyers represent that they have all necessary expertise in the safety and regulatory ramifications of their applications, and acknowledge and agree that they are solely responsible for all legal, regulatory and safety-related requirements concerning their products and any use of TI products in such safety-critical applications, notwithstanding any applications-related information or support that may be provided by TI. Further, Buyers must fully indemnify TI and its representatives against any damages arising out of the use of TI products in such safety-critical applications.

TI products are neither designed nor intended for use in military/aerospace applications or environments unless the TI products are specifically designated by TI as military-grade or "enhanced plastic." Only products designated by TI as military-grade meet military specifications. Buyers acknowledge and agree that any such use of TI products which TI has not designated as military-grade is solely at the Buyer's risk, and that they are solely responsible for compliance with all legal and regulatory requirements in connection with such use.

TI products are neither designed nor intended for use in automotive applications or environments unless the specific TI products are designated by TI as compliant with ISO/TS 16949 requirements. Buyers acknowledge and agree that, if they use any non-designated products in automotive applications, TI will not be responsible for any failure to meet such requirements.

Following are URLs where you can obtain information on other Texas Instruments products and application solutions:

Products

| | |
|------------------------|--|
| Audio | www.ti.com/audio |
| Amplifiers | amplifier.ti.com |
| Data Converters | dataconverter.ti.com |
| DLP® Products | www.dlp.com |
| DSP | dsp.ti.com |
| Clocks and Timers | www.ti.com/clocks |
| Interface | interface.ti.com |
| Logic | logic.ti.com |
| Power Mgmt | power.ti.com |
| Microcontrollers | microcontroller.ti.com |
| RFID | www.ti-rfid.com |
| OMAP Mobile Processors | www.ti.com/omap |
| Wireless Connectivity | www.ti.com/wirelessconnectivity |

Applications

| | |
|-------------------------------|--|
| Automotive and Transportation | www.ti.com/automotive |
| Communications and Telecom | www.ti.com/communications |
| Computers and Peripherals | www.ti.com/computers |
| Consumer Electronics | www.ti.com/consumer-apps |
| Energy and Lighting | www.ti.com/energy |
| Industrial | www.ti.com/industrial |
| Medical | www.ti.com/medical |
| Security | www.ti.com/security |
| Space, Avionics and Defense | www.ti.com/space-avionics-defense |
| Video and Imaging | www.ti.com/video |

TI E2E Community Home Page

e2e.ti.com

Mailing Address: Texas Instruments, Post Office Box 655303, Dallas, Texas 75265
Copyright © 2012, Texas Instruments Incorporated