

6

5

4

3

2

1

### MATERIAL AND FINISH

Insulator: Glass filled Nylon, black, UL-94-HB rated  
 Contacts: Phosphor Bronze, Tin plated  
 Spring: Spring Steel

### ENVIRONMENTAL

Operating temperature: -30°C TO +70°C

RECOMMENDED  
PANEL CUTOUT

2X Ø3.20 THRU  
Ø6.35x45° CSK

REVISIONS

REV	DATE	CHANGE	CHNG	CHK	APPR
A	12/98	UPDATED DRAWING	SS	JD	AH
B	12/27/99	REVISED DIM & SPECS.	PB	TD	SS
C	02/27/02	REVISED / UPDATED	GQ	TD	PB

TOLERANCE  
UNLESS OTHERWISE SPECIFIED

X ± 1  
 X.X ± 0.4  
 X.XX ± 0.20

**Power Dynamics, Inc.**

Phone: 973 560-0019 Whippany, New Jersey Fax: 973 560-0076

PART: 1 CELL PP3 (6R61) 9V BATTERY HOLDER,  
PANEL MOUNT, SOLDER TERMINALS

DRAWN BY	SS	DATE:	1/11/95
CHECK BY	JD	DATE:	1/12/95
APPR BY	AH	DATE:	1/12/95

PART #: **B23**

SIZE: A  
SCALE: NTS

ALL DIMENSIONS FOR REFERENCE ONLY  
DIMENSIONS ARE IN MILLIMETERS

SHEET  
1 of 1  
REV: C

6

5

4

3

2

1

6

5

4

3

2

1

**MATERIAL AND FINISH**

Insulator: Glass filled Nylon, black, UL-94-HB rated

Contacts: Phosphor Bronze, Tin plated

Spring: Spring Steel

**ENVIRONMENTAL**

Operating temperature: -30°C TO +70°C

D

D

C

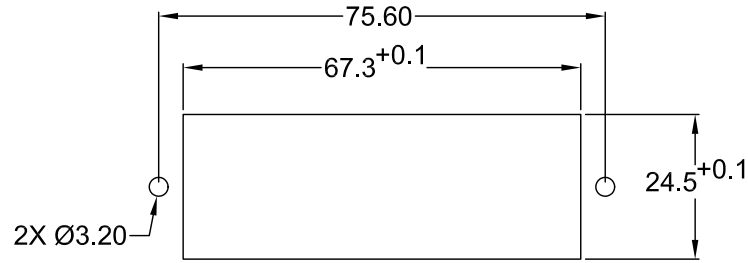
C

B

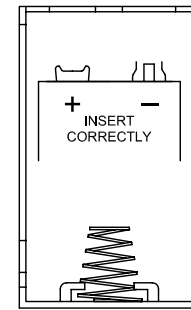
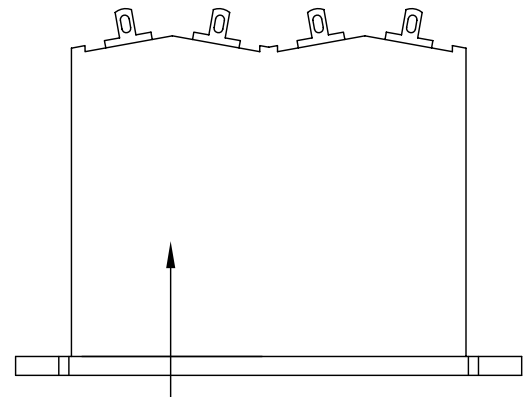
B

A

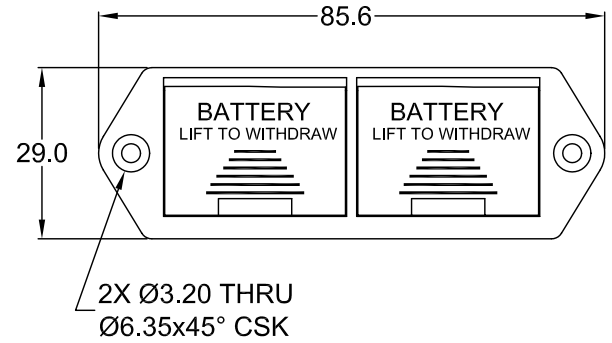
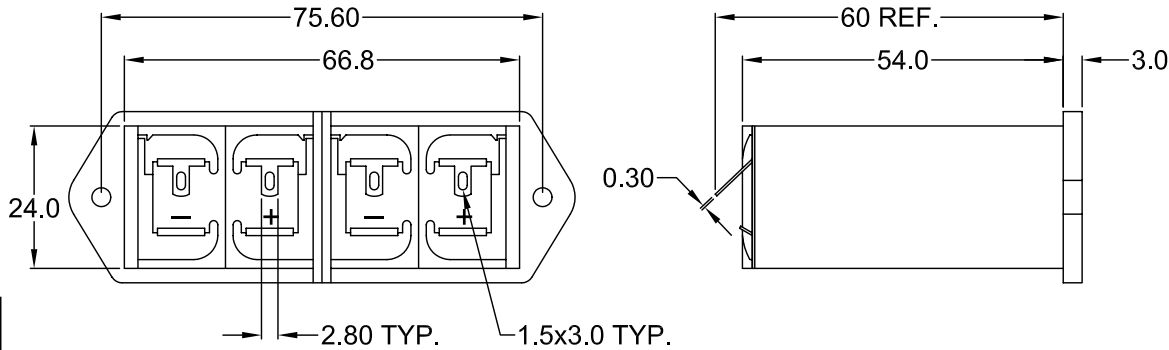
A



RECOMMENDED  
PANEL CUTOUT



VIEW INSIDE  
BATTERY  
MAGAZINE



REVISIONS	CHANGE	CHNG	CHK	APPR
	REVISED / UPDATED	GO	TD	PB
	ADDED BATTERY HOLDER VIEW	DF		
	DATE			
REV	DATE			
A	02/27/02			
B	3/14/06			

TOLERANCE UNLESS OTHERWISE SPECIFIED	
X	± 1
X.X	± 0.4
X.XX	± 0.20
DRAWN BY	PB
DATE:	12/27/99
CHECK BY	TD
DATE:	12/29/99
APPR BY	JJ
DATE:	12-29-99

**Power Dynamics, Inc.**  
 Phone: 973 560-0019 Whippany, New Jersey Fax: 973 560-0076

**PART: 2 CELL PP3 (6R61) 9V BATTERY HOLDER,  
 PANEL MOUNT, SOLDER TERMINALS**

**B26**

SIZE: A  
 SCALE: NTS

ALL DIMENSIONS FOR REFERENCE ONLY  
 DIMENSIONS ARE IN MILLIMETERS

SHEET 1 of 1  
 REV: B

6

5

4

3

2

1

6

5

4

3

2

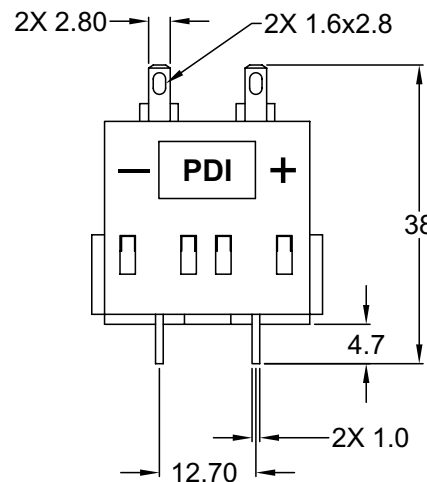
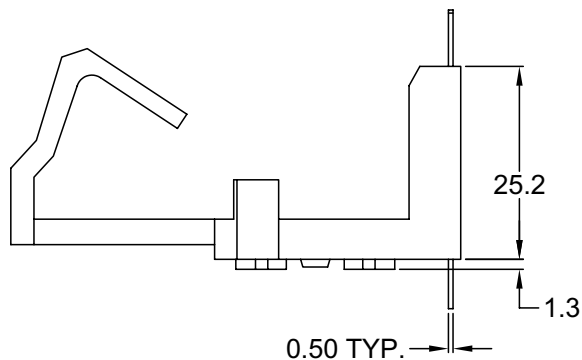
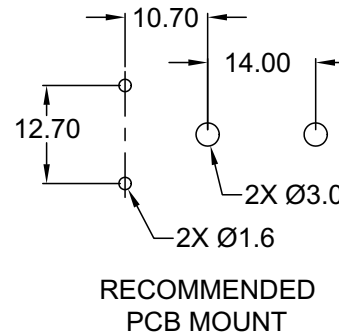
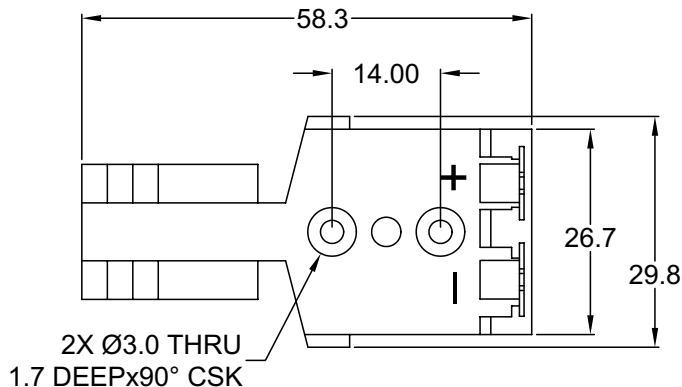
1

### MATERIAL AND FINISH

Insulator: Glass filled Nylon, black, UL-94-V2 rated  
Contacts: Brass, Clean Nickel Silver plated

### ENVIRONMENTAL

Operating temperature: -30°C TO +70°C



REVISIONS	CHANGE	CHNG	CHK	APPR
	REVISED / UPDATED	GO	TD	PB
	DATE	02/28/02		
	REV	A		

TOLERANCE UNLESS OTHERWISE SPECIFIED			
X	± 1		
X.X	± 0.4		
X.XX	± 0.20		
DRAWN BY	PB	DATE:	12/16/99
CHECK BY	TD	DATE:	12/29/99
APPR BY	JJ	DATE:	12/29/99

**Power Dynamics, Inc.**  
Phone: 973 560-0019 Whippany, New Jersey Fax: 973 560-0076

PART: 1 CELL PP3 (6R61) 9V BATTERY HOLDER,  
PCB/BASEBOARD MOUNT, SOLDER TERMINALS

**B33**

SIZE: A  
SCALE: NTS

ALL DIMENSIONS FOR REFERENCE ONLY  
DIMENSIONS ARE IN MILLIMETERS

SHEET 1 of 1  
REV: A

6

5

4

3

2

1