

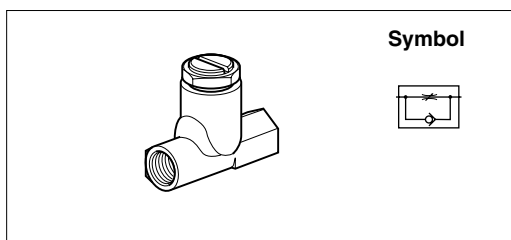
- Screw driver or hand adjustment
- Rugged brass bodies
- Panel mounted versions
- High flow rate
- High flow by-pass
- Wide range of sizes



Operating and additional information

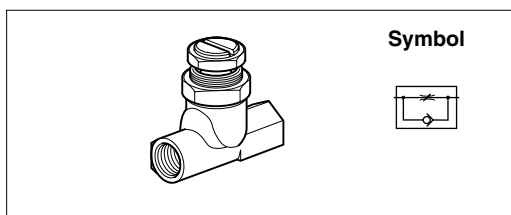
Operating pressure:	0 to 28 bar for air - 0 to 55 bar oil or water
Operating temperature:	-10°C to +80°C
Body material:	Brass
Control knob:	Brass
Adjustment mode:	Knurled knob or screw driver adjustment

Standard Type



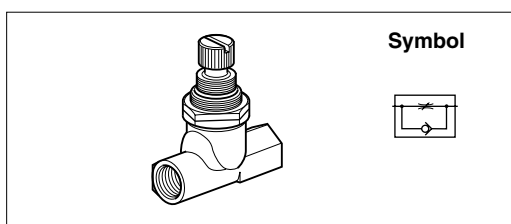
Thread	Number of turns	Qmax input at 6 bar, l/min*	Weight kg	Order code
G1/8	6	1320	0,114	B3250X
G1/4	5	2880	0,224	B3250AB
G3/8	5	6300	0,378	B3250BB
G1/2	5	7680	0,792	B3250CB
G3/4	4,5	10680	1,300	B3250DB

Panel Mounting Type



Thread	Number of turns	Qmax input at 6 bar, l/min*	Weight kg	Order code
G1/8	6	1320	0,120	B3250XP
G1/4	5	2880	0,226	B3250ABP

Panel Mounted Hand Adjustment Type

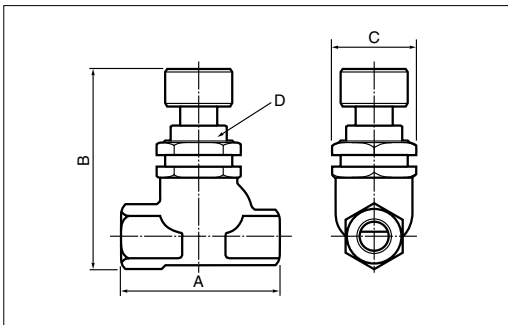


Thread	Number of turns	Qmax input at 6 bar, l/min*	Weight kg	Order code
G1/8	6	1320	0,128	B3250HX
G1/4	5	2880	0,238	B3250HA

* Screw closed

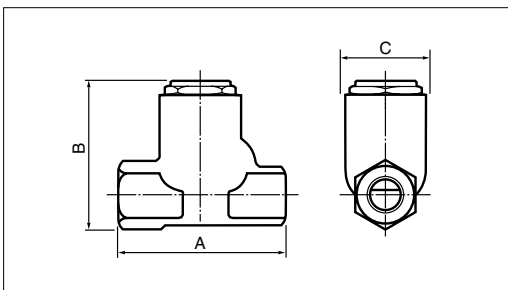
Dimensions, Flow Control Valves, B3250 Series

Flow Control Valves, Panel Mounted Hand Adjustment Type



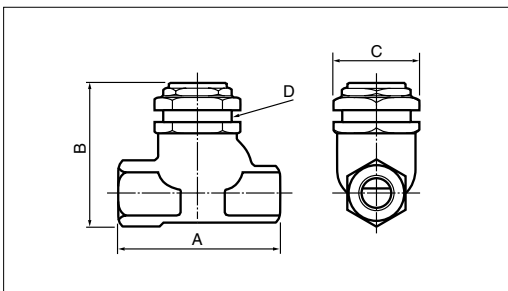
Order code	Port size	A	B	C	D
B3250HX	G1/8	44	57	21	20
B3250HA	G1/4	57	70	32	25

Flow Control Valves, Standard Type



Order code	Port size	A	B	C
B3250X	G1/8	44	40	21
B3250AB	G1/4	57	51	28
B3250BB	G3/8	68	64	35
B3250CB	G1/2	79	78	41
B3250DB	G3/4	90	92	51

Flow Control Valves, Panel Mounted Type



Order code	Port size	A	B	C	D
B3250XP	G1/8	44	40	21	20
B3250ABP	G1/4	57	51	32	25