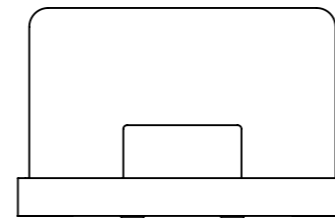
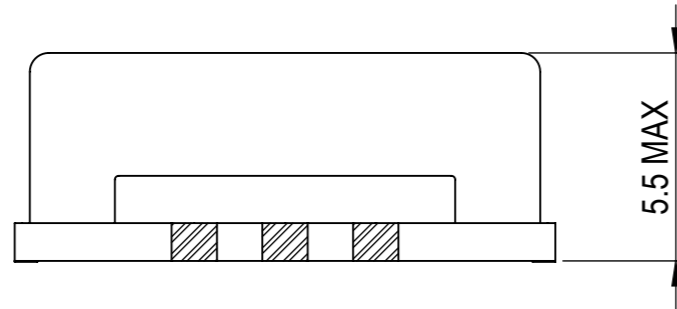
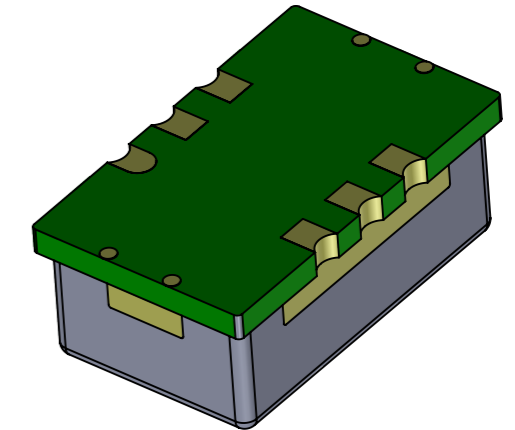
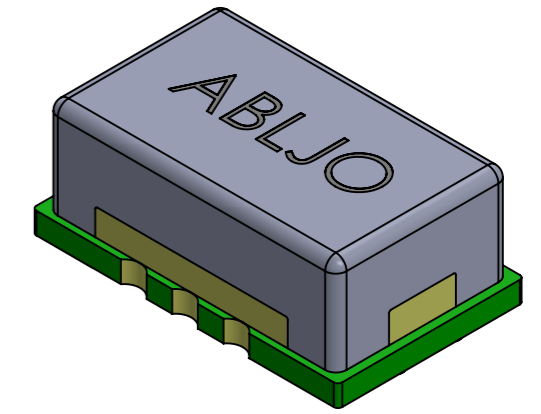


Top View

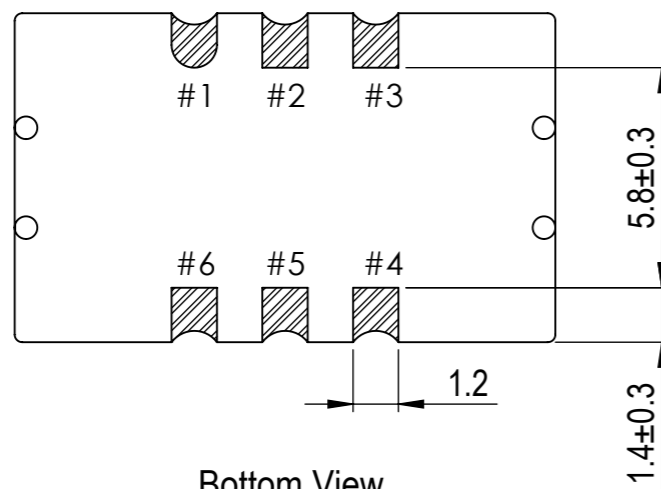
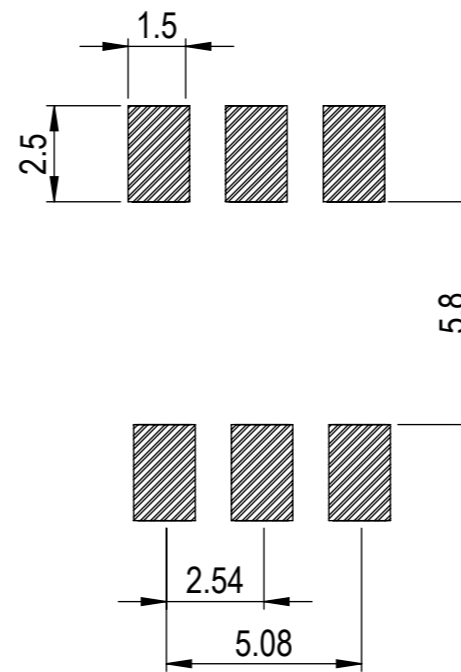


Side View




Front View

Recommended Soldering Pattern



Bottom View

CONNECTION	
#1	V.C
#2	N.C
#3	GND
#4	OUTPUT
#5	N.C
#6	Vcc

UNLESS OTHERWISE SPECIFIED: DIMENSIONS ARE IN MM SURFACE FINISH: TOLERANCES: LINEAR: ANGULAR:				FINISH:	DEBUR AND BREAK SHARP EDGES	DO NOT SCALE DRAWING	REVISION	-
DRAWN	NAME	SIGNATURE	DATE					
CHK'D	XXXXXX					30332 Esperanza, Rancho Santa margarita, California 92688		
APPV'D						TITLE: LOW JITTER CRYSTAL OSCILLATOR		
MFG						DWG NO.	ABLJO	
Q.A					MATERIAL:			A3
					WEIGHT:	SCALE:4:1	SHEET 1 OF 1	