

## QUADRUPLE DIFFERENTIAL LINE DRIVER

### FEATURES

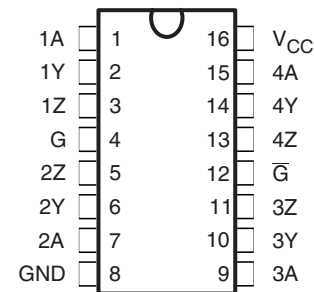
- Meets or Exceeds the Requirements of TIA/EIA-422-B and ITU Recommendation V.11
- Low Power,  $I_{CC} = 100 \mu\text{A Typ}$
- Operates From a Single 5-V Supply
- High Speed,  $t_{PLH} = t_{PHL} = 7 \text{ ns Typ}$
- Low Pulse Distortion,  $t_{sk(p)} = 0.5 \text{ ns Typ}$
- High Output Impedance in Power-Off Conditions
- Improved Replacement for AM26LS31
- Available in Q-Temp Automotive
  - High-Reliability Automotive Applications
  - Configuration Control/Print Support
  - Qualification to Automotive Standards

### DESCRIPTION/ORDERING INFORMATION

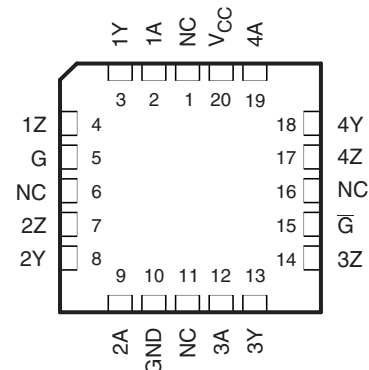
The AM26C31 is a differential line driver with complementary outputs, designed to meet the requirements of TIA/EIA-422-B and ITU (formerly CCITT). The 3-state outputs have high-current capability for driving balanced lines, such as twisted-pair or parallel-wire transmission lines, and they provide the high-impedance state in the power-off condition. The enable functions are common to all four drivers and offer the choice of an active-high (G) or active-low ( $\bar{G}$ ) enable input. BiCMOS circuitry reduces power consumption without sacrificing speed.

The AM26C31C is characterized for operation from 0°C to 70°C, the AM26C31I is characterized for operation from –40°C to 85°C, the AM26C31Q is characterized for operation over the automotive temperature range of –40°C to 125°C, and the AM26C31M is characterized for operation over the full military temperature range of –55°C to 125°C.

AM26C31M...J OR W PACKAGE  
 AM26C31Q...D PACKAGE  
 AM26C31C...D, DB, OR NS PACKAGE  
 AM26C31I...D, DB, N, NS, OR PW PACKAGE  
 (TOP VIEW)



AM26C31M...FK PACKAGE  
 (TOP VIEW)



NC – No internal connection



Please be aware that an important notice concerning availability, standard warranty, and use in critical applications of Texas Instruments semiconductor products and disclaimers thereto appears at the end of this data sheet.

**ORDERING INFORMATION**

$T_A$	PACKAGE <sup>(1)(2)</sup>		ORDERABLE PART NUMBER	TOP-SIDE MARKING
0°C to 70°C	PDIP (N)	Tube of 25	AM26C31CN	AM26C31CN
	SOIC (D)	Tube of 40	AM26C31CD	AM26C31C
		Reel of 2500	AM26C31CDR	
	SOP (NS)	Reel of 2000	AM26C31CNSR	26C31
	SSOP (DB)	Reel of 2000	AM26C31CDBR	26C31
–40°C to 85°C	PDIP (N)	Tube of 25	AM26C31IN	AM26C31IN
	SOIC (D)	Tube of 40	AM26C31ID	AM26C31I
		Reel of 2500	AM26C31IDR	
	SOP (NS)	Reel of 2000	AM26C31INSR	26C31I
	SSOP (DB)	Reel of 2000	AM26C31IDBR	26C31I
	TSSOP (PW)	Tube of 90	AM26C31IPW	26C31I
–40°C to 125°C	SOIC (D)	Tube of 40	AM26C31QD	AM26C31QD
		Reel of 2500	AM26C31QDR	
–55°C to 125°C	CDIP (J)	Tube of 25	AM26C31MJ	AM26C31MJ
	CFP (W)	Tube of 150	AM26C31MW	AM26C31MW
	LCCC (FK)	Tube of 55	AM26C31MFK	AM26C31MFK

(1) Package drawings, thermal data, and symbolization are available at [www.ti.com/packaging](http://www.ti.com/packaging).

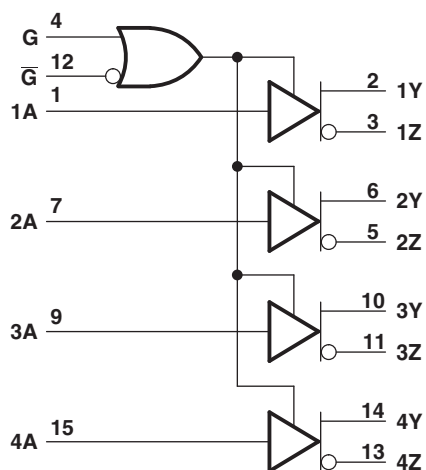
(2) For the most current package and ordering information, see the Package Option Addendum at the end of this document, or see the TI website at [www.ti.com](http://www.ti.com).

**FUNCTION TABLE  
(Each Driver)<sup>(1)</sup>**

INPUT A	ENABLES		OUTPUTS	
	G	$\bar{G}$	Y	Z
H	H	X	H	L
L	H	X	L	H
H	X	L	H	L
L	X	L	L	H
X	L	H	Z	Z

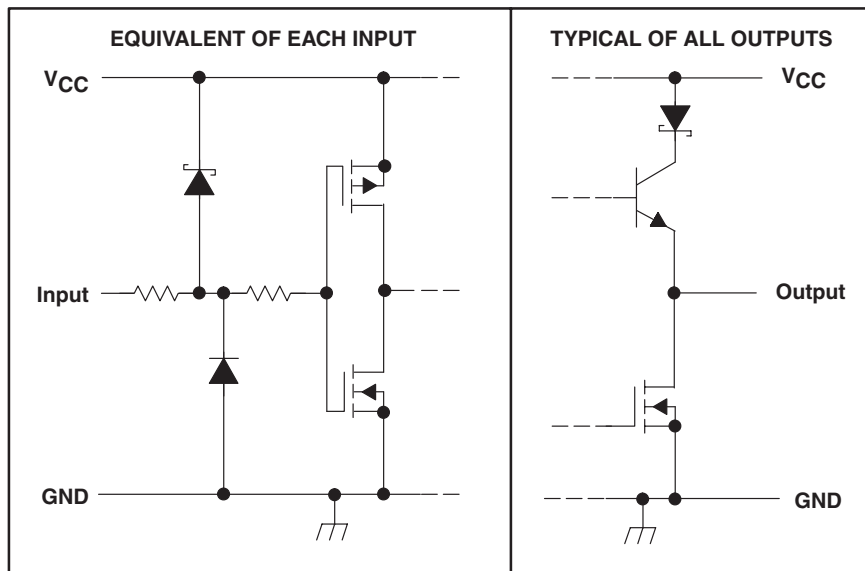
(1) H = High level, L = Low level, X = Irrelevant,  
Z = High impedance (off)

**LOGIC DIAGRAM (POSITIVE LOGIC)**



Pin numbers shown are for the D, DB, J, N, NS, PW, and W packages.

**SCHEMATICS OF INPUTS AND OUTPUTS**



**ABSOLUTE MAXIMUM RATINGS<sup>(1)</sup>**

over operating free-air temperature range (unless otherwise noted)

		MIN	MAX	UNIT
V <sub>CC</sub>	Supply voltage range <sup>(2)</sup>	–0.5	7	V
V <sub>I</sub>	Input voltage range	–0.5	V <sub>CC</sub> + 0.5	V
V <sub>ID</sub>	Differential input voltage range	–14	14	V
V <sub>O</sub>	Output voltage range	–0.5	7	
I <sub>IK</sub> I <sub>OK</sub>	Input or output clamp current		±20	mA
I <sub>O</sub>	Output current		±150	mA
	V <sub>CC</sub> current		200	mA
	GND current	–200		mA
θ <sub>JA</sub>	Package thermal impedance <sup>(3)(4)</sup>	D package	73	°C/W
		DB package	82	
		N package	67	
		NS package	64	
		PW package	108	
T <sub>J</sub>	Operating virtual junction temperature		150	°C
T <sub>stg</sub>	Storage temperature range	–65	150	°C

- (1) Stresses beyond those listed under "absolute maximum ratings" may cause permanent damage to the device. These are stress ratings only, and functional operation of the device at these or any other conditions beyond those indicated under "recommended operating conditions" is not implied. Exposure to absolute-maximum-rated conditions for extended periods may affect device reliability.
- (2) All voltage values, except differential voltages, are with respect to the network ground terminal.
- (3) Maximum power dissipation is a function of T<sub>J(max)</sub>, θ<sub>JA</sub>, and T<sub>A</sub>. The maximum allowable power dissipation at any allowable ambient temperature is P<sub>D</sub> = (T<sub>J(max)</sub> – T<sub>A</sub>)/θ<sub>JA</sub>. Operating at the absolute maximum T<sub>J</sub> of 150°C can affect reliability.
- (4) The package thermal impedance is calculated in accordance with JESD 51-7.

**RECOMMENDED OPERATING CONDITIONS**

		MIN	NOM	MAX	UNIT
V <sub>CC</sub>	Supply voltage	4.5	5	5.5	V
V <sub>ID</sub>	Differential input voltage		±7		V
V <sub>IH</sub>	High-level input voltage	2			V
V <sub>IL</sub>	Low-level input voltage			0.8	V
I <sub>OH</sub>	High-level output current			–20	μA
I <sub>OL</sub>	Low-level output current			20	mA
T <sub>A</sub>	Operating free-air temperature	AM26C31C	0	70	°C
		AM26C31I	–40	85	
		AM26C31Q	–40	125	
		AM26C31M	–55	125	

## ELECTRICAL CHARACTERISTICS

over recommended ranges of supply voltage and operating free-air temperature (unless otherwise noted)

PARAMETER		TEST CONDITIONS	AM26C31C AM26C31I			UNIT
			MIN	TYP <sup>(1)</sup>	MAX	
V <sub>OH</sub>	High-level output voltage	I <sub>O</sub> = –20 mA	2.4	3.4		V
V <sub>OL</sub>	Low-level output voltage	I <sub>O</sub> = 20 mA		0.2	0.4	V
V <sub>OD</sub>	Differential output voltage magnitude	R <sub>L</sub> = 100 Ω, See Figure 1	2	3.1		V
Δ V <sub>OD</sub>	Change in magnitude of differential output voltage <sup>(2)</sup>	R <sub>L</sub> = 100 Ω, See Figure 1			±0.4	V
V <sub>OC</sub>	Common-mode output voltage	R <sub>L</sub> = 100 Ω, See Figure 1			3	V
Δ V <sub>OC</sub>	Change in magnitude of common-mode output voltage <sup>(2)</sup>	R <sub>L</sub> = 100 Ω, See Figure 1			±0.4	V
I <sub>I</sub>	Input current	V <sub>I</sub> = V <sub>CC</sub> or GND			±1	μA
I <sub>O(off)</sub>	Driver output current with power off	V <sub>CC</sub> = 0			100	μA
		V <sub>O</sub> = 6 V V <sub>O</sub> = –0.25 V			–100	
I <sub>OS</sub>	Driver output short-circuit current	V <sub>O</sub> = 0	–30		–150	mA
I <sub>OZ</sub>	High-impedance off-state output current	V <sub>O</sub> = 2.5 V			20	μA
		V <sub>O</sub> = 0.5 V			–20	
I <sub>CC</sub>	Quiescent supply current	I <sub>O</sub> = 0			100	μA
		V <sub>I</sub> = 0 or 5 V				
		V <sub>I</sub> = 2.4 V or 0.5 V <sup>(3)</sup>		1.5	3	mA
C <sub>i</sub>	Input capacitance				6	pF

(1) All typical values are at V<sub>CC</sub> = 5 V and T<sub>A</sub> = 25°C.

(2) Δ|V<sub>OD</sub>| and Δ|V<sub>OC</sub>| are the changes in magnitude of V<sub>OD</sub> and V<sub>OC</sub>, respectively, that occur when the input is changed from a high level to a low level.

(3) This parameter is measured per input. All other inputs are at 0 or 5 V.

## SWITCHING CHARACTERISTICS

over recommended ranges of supply voltage and operating free-air temperature (unless otherwise noted)

PARAMETER		TEST CONDITIONS	AM26C31C AM26C31I			UNIT
			MIN	TYP <sup>(1)</sup>	MAX	
t <sub>PLH</sub>	Propagation delay time, low-to-high-level output	S1 is open, See Figure 2	3	7	12	ns
t <sub>PHL</sub>	Propagation delay time, high-to-low-level output		3	7	12	
t <sub>sk(p)</sub>	Pulse skew time ( t <sub>PLH</sub> – t <sub>PHL</sub>  )	S1 is open, See Figure 2		0.5	4	ns
t <sub>r(OD)</sub> , t <sub>f(OD)</sub>	Differential output rise and fall times	S1 is open, See Figure 3		5	10	ns
t <sub>pZH</sub>	Output enable time to high level	S1 is closed, See Figure 4		10	19	ns
t <sub>pZL</sub>	Output enable time to low level			10	19	
t <sub>PHZ</sub>	Output disable time from high level	S1 is closed, See Figure 4		7	16	ns
t <sub>PLZ</sub>	Output disable time from low level			7	16	
C <sub>pd</sub>	Power dissipation capacitance (each driver) <sup>(2)</sup>	S1 is open, See Figure 2		170		pF

(1) All typical values are at V<sub>CC</sub> = 5 V and T<sub>A</sub> = 25°C.

(2) C<sub>pd</sub> is used to estimate the switching losses according to P<sub>D</sub> = C<sub>pd</sub> × V<sub>CC</sub><sup>2</sup> × f, where f is the switching frequency.

## ELECTRICAL CHARACTERISTICS

over recommended ranges of supply voltage and operating free-air temperature (unless otherwise noted)

PARAMETER		TEST CONDITIONS	AM26C31Q AM26C31M			UNIT
			MIN	TYP <sup>(1)</sup>	MAX	
V <sub>OH</sub>	High-level output voltage	I <sub>O</sub> = –20 mA	2.2	3.4		V
V <sub>OL</sub>	Low-level output voltage	I <sub>O</sub> = 20 mA		0.2	0.4	V
V <sub>OD</sub>	Differential output voltage magnitude	R <sub>L</sub> = 100 Ω, See Figure 1	2	3.1		V
Δ V <sub>OD</sub>	Change in magnitude of differential output voltage <sup>(2)</sup>	R <sub>L</sub> = 100 Ω, See Figure 1			±0.4	V
V <sub>OC</sub>	Common-mode output voltage	R <sub>L</sub> = 100 Ω, See Figure 1			3	V
Δ V <sub>OC</sub>	Change in magnitude of common-mode output voltage <sup>(2)</sup>	R <sub>L</sub> = 100 Ω, See Figure 1			±0.4	V
I <sub>I</sub>	Input current	V <sub>I</sub> = V <sub>CC</sub> or GND			±1	μA
I <sub>O(off)</sub>	Driver output current with power off	V <sub>CC</sub> = 0		V <sub>O</sub> = 6 V	100	μA
				V <sub>O</sub> = –0.25 V	–100	
I <sub>OS</sub>	Driver output short-circuit current	V <sub>O</sub> = 0			–170	mA
I <sub>OZ</sub>	High-impedance off-state output current	V <sub>O</sub> = 2.5 V			20	μA
		V <sub>O</sub> = 0.5 V			–20	
I <sub>CC</sub>	Quiescent supply current	I <sub>O</sub> = 0		V <sub>I</sub> = 0 or 5 V	100	μA
				V <sub>I</sub> = 2.4 V or 0.5 V <sup>(3)</sup>	3.2	
C <sub>i</sub>	Input capacitance				6	pF

(1) All typical values are at V<sub>CC</sub> = 5 V and T<sub>A</sub> = 25°C.

(2) Δ|V<sub>OD</sub>| and Δ|V<sub>OC</sub>| are the changes in magnitude of V<sub>OD</sub> and V<sub>OC</sub>, respectively, that occur when the input is changed from a high level to a low level.

(3) This parameter is measured per input. All other inputs are at 0 or 5 V.

## SWITCHING CHARACTERISTICS

over recommended ranges of supply voltage and operating free-air temperature (unless otherwise noted)

PARAMETER		TEST CONDITIONS	AM26C31Q AM26C31M			UNIT
			MIN	TYP <sup>(1)</sup>	MAX	
t <sub>PLH</sub>	Propagation delay time, low-to-high-level output	S1 is open, See Figure 2		7	12	ns
t <sub>PHL</sub>	Propagation delay time, high-to-low-level output			6.5	12	
t <sub>sk(p)</sub>	Pulse skew time ( t <sub>PLH</sub> – t <sub>PHL</sub>  )	S1 is open, See Figure 2		0.5	4	ns
t <sub>r(OD)</sub> , t <sub>f(OD)</sub>	Differential output rise and fall times	S1 is open, See Figure 3		5	12	ns
t <sub>PZH</sub>	Output enable time to high level	S1 is closed, See Figure 4		10	19	ns
t <sub>PZL</sub>	Output enable time to low level			10	19	
t <sub>PHZ</sub>	Output disable time from high level	S1 is closed, See Figure 4		7	16	ns
t <sub>PLZ</sub>	Output disable time from low level			7	16	
C <sub>pd</sub>	Power dissipation capacitance (each driver) <sup>(2)</sup>	S1 is open, See Figure 2		100		pF

(1) All typical values are at V<sub>CC</sub> = 5 V and T<sub>A</sub> = 25°C.

(2) C<sub>pd</sub> is used to estimate the switching losses according to P<sub>D</sub> = C<sub>pd</sub> × V<sub>CC</sub><sup>2</sup> × f, where f is the switching frequency.

PARAMETER MEASUREMENT INFORMATION

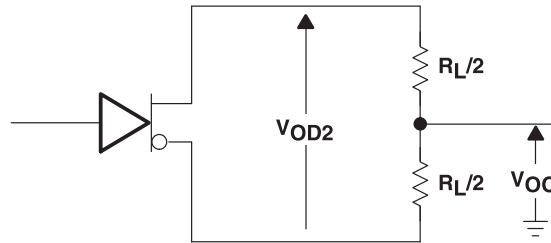
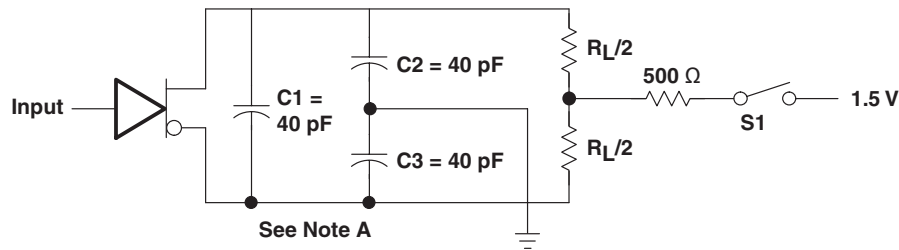
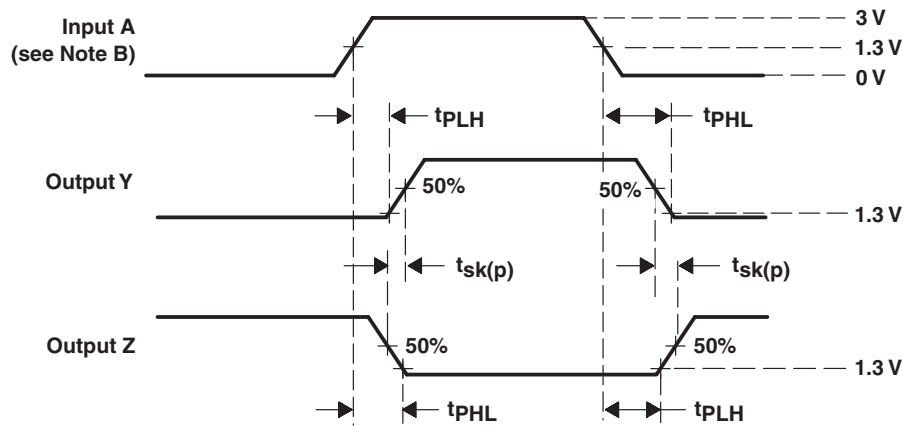


Figure 1. Differential and Common-Mode Output Voltages



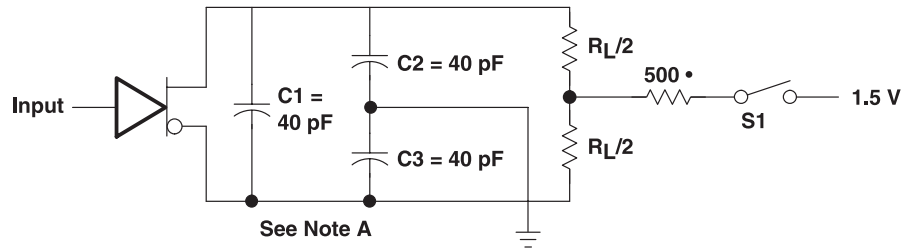
TEST CIRCUIT



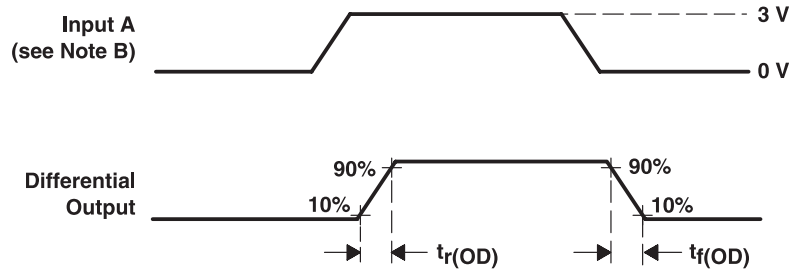
- A. C1, C2, and C3 include probe and jig capacitance.
- B. All input pulses are supplied by generators having the following characteristics: PRR ≤ 1 MHz, duty cycle ≤ 50%, and  $t_r, t_f \leq 6$  ns.

Figure 2. Propagation Delay Time and Skew Waveforms and Test Circuit

PARAMETER MEASUREMENT INFORMATION (continued)



TEST CIRCUIT

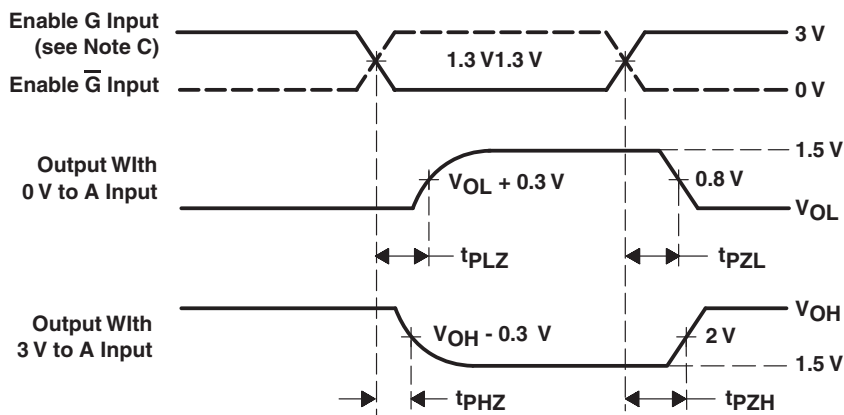
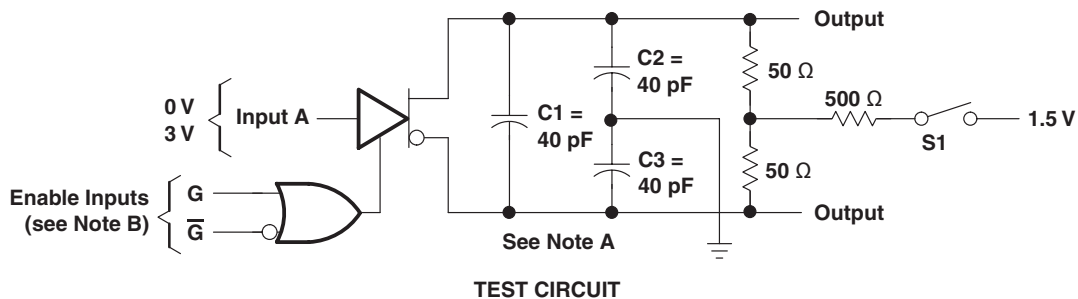


VOLTAGE WAVEFORMS

- A. C1, C2, and C3 include probe and jig capacitance.
- B. All input pulses are supplied by generators having the following characteristics: PRR ≤ 1 MHz, duty cycle ≤ 50%, and tr, tf ≤ 6 ns.

Figure 3. Differential-Output Rise- and Fall-Time Waveforms and Test Circuit

PARAMETER MEASUREMENT INFORMATION (continued)



VOLTAGE WAVEFORMS

- A. C1, C2, and C3 include probe and jig capacitance.
- B. All input pulses are supplied by generators having the following characteristics: PRR  $\leq$  1 MHz, duty cycle  $\leq$  50%, and  $t_r, t_f \leq$  6 ns.
- C. Each enable is tested separately.

Figure 4. Output Enable- and Disable-Time Waveforms and Test Circuit

**TYPICAL CHARACTERISTICS**

**SUPPLY CURRENT  
vs  
SWITCHING FREQUENCY**

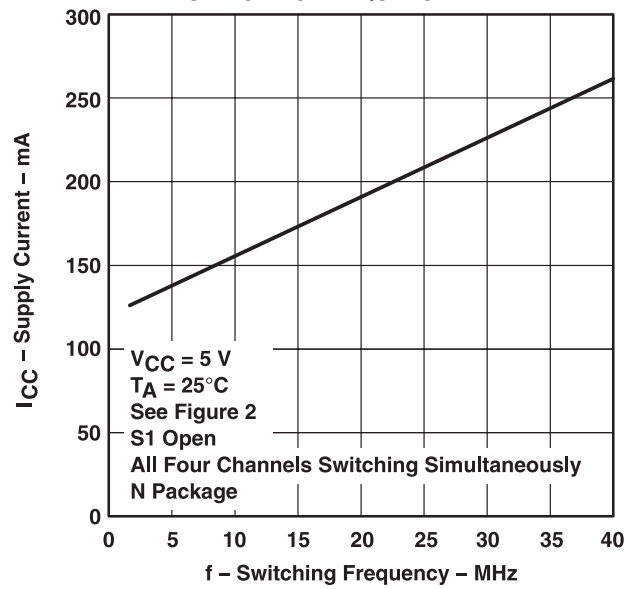


Figure 5.

**PACKAGING INFORMATION**

Orderable Device	Status <sup>(1)</sup>	Package Type	Package Drawing	Pins	Package Qty	Eco Plan <sup>(2)</sup>	Lead/Ball Finish	MSL Peak Temp <sup>(3)</sup>
AM26C31CD	ACTIVE	SOIC	D	16	40	Green (RoHS & no Sb/Br)	CU NIPDAU	Level-1-260C-UNLIM
AM26C31CDBLE	OBSOLETE	SSOP	DB	16		TBD	Call TI	Call TI
AM26C31CDBR	ACTIVE	SSOP	DB	16	2000	Green (RoHS & no Sb/Br)	CU NIPDAU	Level-1-260C-UNLIM
AM26C31CDBRE4	ACTIVE	SSOP	DB	16	2000	Green (RoHS & no Sb/Br)	CU NIPDAU	Level-1-260C-UNLIM
AM26C31CDBRG4	ACTIVE	SSOP	DB	16	2000	Green (RoHS & no Sb/Br)	CU NIPDAU	Level-1-260C-UNLIM
AM26C31CDE4	ACTIVE	SOIC	D	16	40	Green (RoHS & no Sb/Br)	CU NIPDAU	Level-1-260C-UNLIM
AM26C31CDG4	ACTIVE	SOIC	D	16	40	Green (RoHS & no Sb/Br)	CU NIPDAU	Level-1-260C-UNLIM
AM26C31CDR	ACTIVE	SOIC	D	16	2500	Green (RoHS & no Sb/Br)	CU NIPDAU	Level-1-260C-UNLIM
AM26C31CDRE4	ACTIVE	SOIC	D	16	2500	Green (RoHS & no Sb/Br)	CU NIPDAU	Level-1-260C-UNLIM
AM26C31CDRG4	ACTIVE	SOIC	D	16	2500	Green (RoHS & no Sb/Br)	CU NIPDAU	Level-1-260C-UNLIM
AM26C31CN	ACTIVE	PDIP	N	16	25	Pb-Free (RoHS)	CU NIPDAU	N / A for Pkg Type
AM26C31CNE4	ACTIVE	PDIP	N	16	25	Pb-Free (RoHS)	CU NIPDAU	N / A for Pkg Type
AM26C31CNSR	ACTIVE	SO	NS	16	2000	Green (RoHS & no Sb/Br)	CU NIPDAU	Level-1-260C-UNLIM
AM26C31CNSRE4	ACTIVE	SO	NS	16	2000	Green (RoHS & no Sb/Br)	CU NIPDAU	Level-1-260C-UNLIM
AM26C31CNSRG4	ACTIVE	SO	NS	16	2000	Green (RoHS & no Sb/Br)	CU NIPDAU	Level-1-260C-UNLIM
AM26C31ID	ACTIVE	SOIC	D	16	40	Green (RoHS & no Sb/Br)	CU NIPDAU	Level-1-260C-UNLIM
AM26C31IDBLE	OBSOLETE	SSOP	DB	16		TBD	Call TI	Call TI
AM26C31IDBR	ACTIVE	SSOP	DB	16	2000	Green (RoHS & no Sb/Br)	CU NIPDAU	Level-1-260C-UNLIM
AM26C31IDBRE4	ACTIVE	SSOP	DB	16	2000	Green (RoHS & no Sb/Br)	CU NIPDAU	Level-1-260C-UNLIM
AM26C31IDBRG4	ACTIVE	SSOP	DB	16	2000	Green (RoHS & no Sb/Br)	CU NIPDAU	Level-1-260C-UNLIM
AM26C31IDE4	ACTIVE	SOIC	D	16	40	Green (RoHS & no Sb/Br)	CU NIPDAU	Level-1-260C-UNLIM
AM26C31IDG4	ACTIVE	SOIC	D	16	40	Green (RoHS & no Sb/Br)	CU NIPDAU	Level-1-260C-UNLIM
AM26C31IDR	ACTIVE	SOIC	D	16	2500	Green (RoHS & no Sb/Br)	CU NIPDAU	Level-1-260C-UNLIM
AM26C31IDRE4	ACTIVE	SOIC	D	16	2500	Green (RoHS & no Sb/Br)	CU NIPDAU	Level-1-260C-UNLIM
AM26C31IDRG4	ACTIVE	SOIC	D	16	2500	Green (RoHS & no Sb/Br)	CU NIPDAU	Level-1-260C-UNLIM
AM26C31IN	ACTIVE	PDIP	N	16	25	Pb-Free	CU NIPDAU	N / A for Pkg Type

Orderable Device	Status <sup>(1)</sup>	Package Type	Package Drawing	Pins	Package Qty	Eco Plan <sup>(2)</sup>	Lead/Ball Finish	MSL Peak Temp <sup>(3)</sup>
						(RoHS)		
AM26C31INE4	ACTIVE	PDIP	N	16	25	Pb-Free (RoHS)	CU NIPDAU	N / A for Pkg Type
AM26C31INSR	ACTIVE	SO	NS	16	2000	Green (RoHS & no Sb/Br)	CU NIPDAU	Level-1-260C-UNLIM
AM26C31INSRG4	ACTIVE	SO	NS	16	2000	Green (RoHS & no Sb/Br)	CU NIPDAU	Level-1-260C-UNLIM
AM26C31IPW	ACTIVE	TSSOP	PW	16	90	Green (RoHS & no Sb/Br)	CU NIPDAU	Level-1-260C-UNLIM
AM26C31IPWE4	ACTIVE	TSSOP	PW	16	90	Green (RoHS & no Sb/Br)	CU NIPDAU	Level-1-260C-UNLIM
AM26C31IPWG4	ACTIVE	TSSOP	PW	16	90	Green (RoHS & no Sb/Br)	CU NIPDAU	Level-1-260C-UNLIM
AM26C31IPWR	ACTIVE	TSSOP	PW	16	2000	Green (RoHS & no Sb/Br)	CU NIPDAU	Level-1-260C-UNLIM
AM26C31IPWRG4	ACTIVE	TSSOP	PW	16	2000	Green (RoHS & no Sb/Br)	CU NIPDAU	Level-1-260C-UNLIM
AM26C31QD	ACTIVE	SOIC	D	16	40	TBD	CU NIPDAU	Level-1-220C-UNLIM
AM26C31QDG4	ACTIVE	SOIC	D	16	40	Green (RoHS & no Sb/Br)	CU NIPDAU	Level-1-260C-UNLIM
AM26C31QDR	ACTIVE	SOIC	D	16	2500	TBD	CU NIPDAU	Level-1-220C-UNLIM
AM26C31QDRG4	ACTIVE	SOIC	D	16	2500	Green (RoHS & no Sb/Br)	CU NIPDAU	Level-1-260C-UNLIM

<sup>(1)</sup> The marketing status values are defined as follows:

**ACTIVE:** Product device recommended for new designs.

**LIFEBUY:** TI has announced that the device will be discontinued, and a lifetime-buy period is in effect.

**NRND:** Not recommended for new designs. Device is in production to support existing customers, but TI does not recommend using this part in a new design.

**PREVIEW:** Device has been announced but is not in production. Samples may or may not be available.

**OBsolete:** TI has discontinued the production of the device.

<sup>(2)</sup> Eco Plan - The planned eco-friendly classification: Pb-Free (RoHS), Pb-Free (RoHS Exempt), or Green (RoHS & no Sb/Br) - please check <http://www.ti.com/productcontent> for the latest availability information and additional product content details.

**TBD:** The Pb-Free/Green conversion plan has not been defined.

**Pb-Free (RoHS):** TI's terms "Lead-Free" or "Pb-Free" mean semiconductor products that are compatible with the current RoHS requirements for all 6 substances, including the requirement that lead not exceed 0.1% by weight in homogeneous materials. Where designed to be soldered at high temperatures, TI Pb-Free products are suitable for use in specified lead-free processes.

**Pb-Free (RoHS Exempt):** This component has a RoHS exemption for either 1) lead-based flip-chip solder bumps used between the die and package, or 2) lead-based die adhesive used between the die and leadframe. The component is otherwise considered Pb-Free (RoHS compatible) as defined above.

**Green (RoHS & no Sb/Br):** TI defines "Green" to mean Pb-Free (RoHS compatible), and free of Bromine (Br) and Antimony (Sb) based flame retardants (Br or Sb do not exceed 0.1% by weight in homogeneous material)

<sup>(3)</sup> MSL, Peak Temp. -- The Moisture Sensitivity Level rating according to the JEDEC industry standard classifications, and peak solder temperature.

**Important Information and Disclaimer:** The information provided on this page represents TI's knowledge and belief as of the date that it is provided. TI bases its knowledge and belief on information provided by third parties, and makes no representation or warranty as to the accuracy of such information. Efforts are underway to better integrate information from third parties. TI has taken and continues to take reasonable steps to provide representative and accurate information but may not have conducted destructive testing or chemical analysis on incoming materials and chemicals. TI and TI suppliers consider certain information to be proprietary, and thus CAS numbers and other limited information may not be available for release.

In no event shall TI's liability arising out of such information exceed the total purchase price of the TI part(s) at issue in this document sold by TI

to Customer on an annual basis.

**OTHER QUALIFIED VERSIONS OF AM26C31 :**

- Enhanced Product: [AM26C31-EP](#)
- Military: [AM26C31M](#)

**NOTE: Qualified Version Definitions:**

- Enhanced Product - Supports Defense, Aerospace and Medical Applications
- Military - QML certified for Military and Defense Applications

**TAPE AND REEL INFORMATION**



**QUADRANT ASSIGNMENTS FOR PIN 1 ORIENTATION IN TAPE**



\*All dimensions are nominal

Device	Package Type	Package Drawing	Pins	SPQ	Reel Diameter (mm)	Reel Width W1 (mm)	A0 (mm)	B0 (mm)	K0 (mm)	P1 (mm)	W (mm)	Pin1 Quadrant
AM26C31CDBR	SSOP	DB	16	2000	330.0	16.4	8.2	6.6	2.5	12.0	16.0	Q1
AM26C31CDR	SOIC	D	16	2500	330.0	16.4	6.5	10.3	2.1	8.0	16.0	Q1
AM26C31CNSR	SO	NS	16	2000	330.0	16.4	8.2	10.5	2.5	12.0	16.0	Q1
AM26C31IDBR	SSOP	DB	16	2000	330.0	16.4	8.2	6.6	2.5	12.0	16.0	Q1
AM26C31IDR	SOIC	D	16	2500	330.0	16.4	6.5	10.3	2.1	8.0	16.0	Q1
AM26C31INSR	SO	NS	16	2000	330.0	16.4	8.2	10.5	2.5	12.0	16.0	Q1
AM26C31IPWR	TSSOP	PW	16	2000	330.0	12.4	7.0	5.6	1.6	8.0	12.0	Q1

**TAPE AND REEL BOX DIMENSIONS**



\*All dimensions are nominal

Device	Package Type	Package Drawing	Pins	SPQ	Length (mm)	Width (mm)	Height (mm)
AM26C31CDBR	SSOP	DB	16	2000	346.0	346.0	33.0
AM26C31CDR	SOIC	D	16	2500	333.2	345.9	28.6
AM26C31CNSR	SO	NS	16	2000	346.0	346.0	33.0
AM26C31IDBR	SSOP	DB	16	2000	346.0	346.0	33.0
AM26C31IDR	SOIC	D	16	2500	333.2	345.9	28.6
AM26C31INSR	SO	NS	16	2000	346.0	346.0	33.0
AM26C31IPWR	TSSOP	PW	16	2000	346.0	346.0	29.0

DB (R-PDSO-G\*\*)

PLASTIC SMALL-OUTLINE

28 PINS SHOWN



- NOTES: A. All linear dimensions are in millimeters.  
 B. This drawing is subject to change without notice.  
 C. Body dimensions do not include mold flash or protrusion not to exceed 0,15.  
 D. Falls within JEDEC MO-150

PW (R-PDSO-G\*\*)

PLASTIC SMALL-OUTLINE PACKAGE

14 PINS SHOWN



4040064/F 01/97

- NOTES: A. All linear dimensions are in millimeters.  
 B. This drawing is subject to change without notice.  
 C. Body dimensions do not include mold flash or protrusion not to exceed 0,15.  
 D. Falls within JEDEC MO-153

# MECHANICAL DATA

NS (R-PDSO-G\*\*)

PLASTIC SMALL-OUTLINE PACKAGE

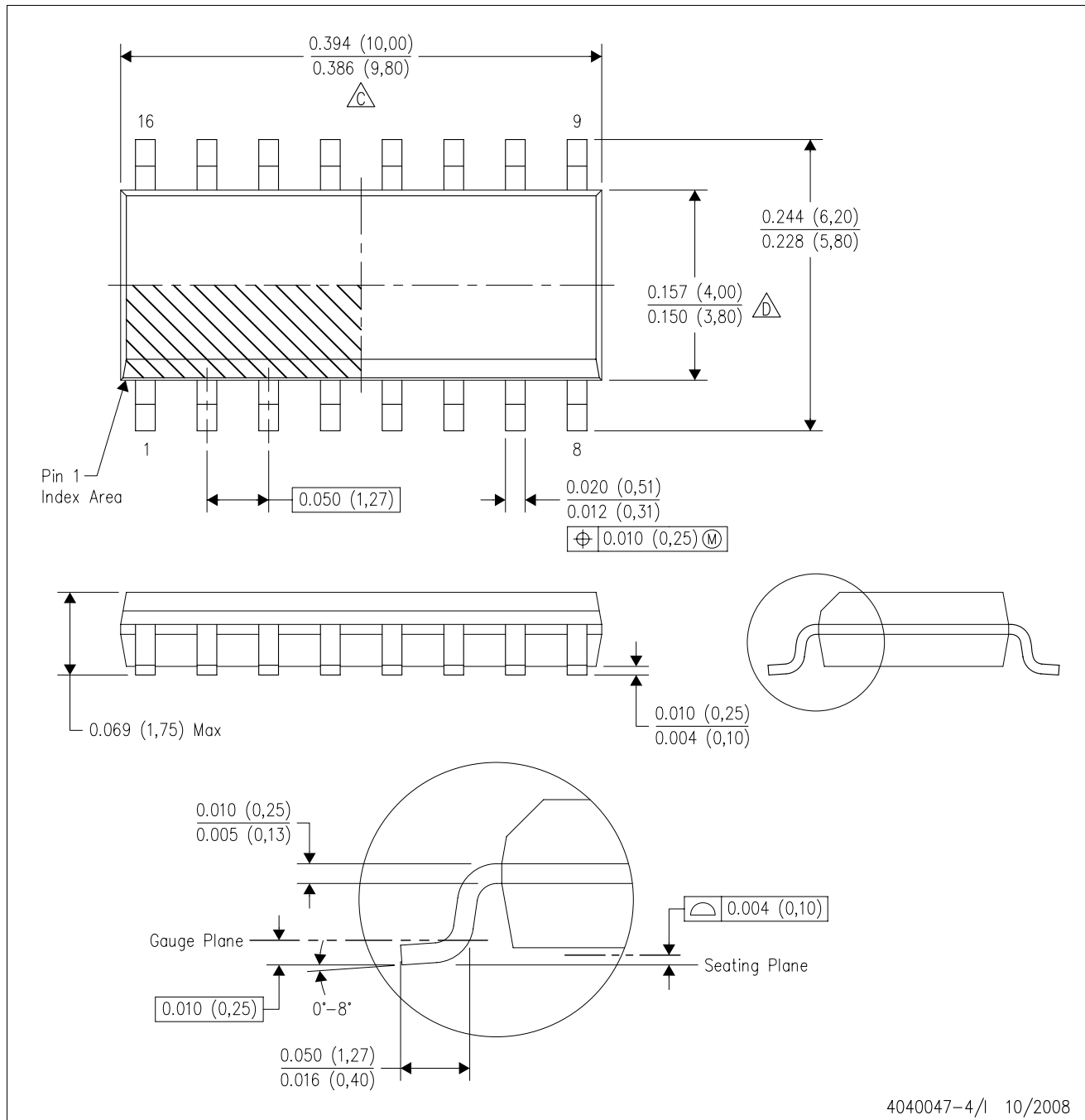
14-PINS SHOWN



- NOTES:
- A. All linear dimensions are in millimeters.
  - B. This drawing is subject to change without notice.
  - C. Body dimensions do not include mold flash or protrusion, not to exceed 0,15.

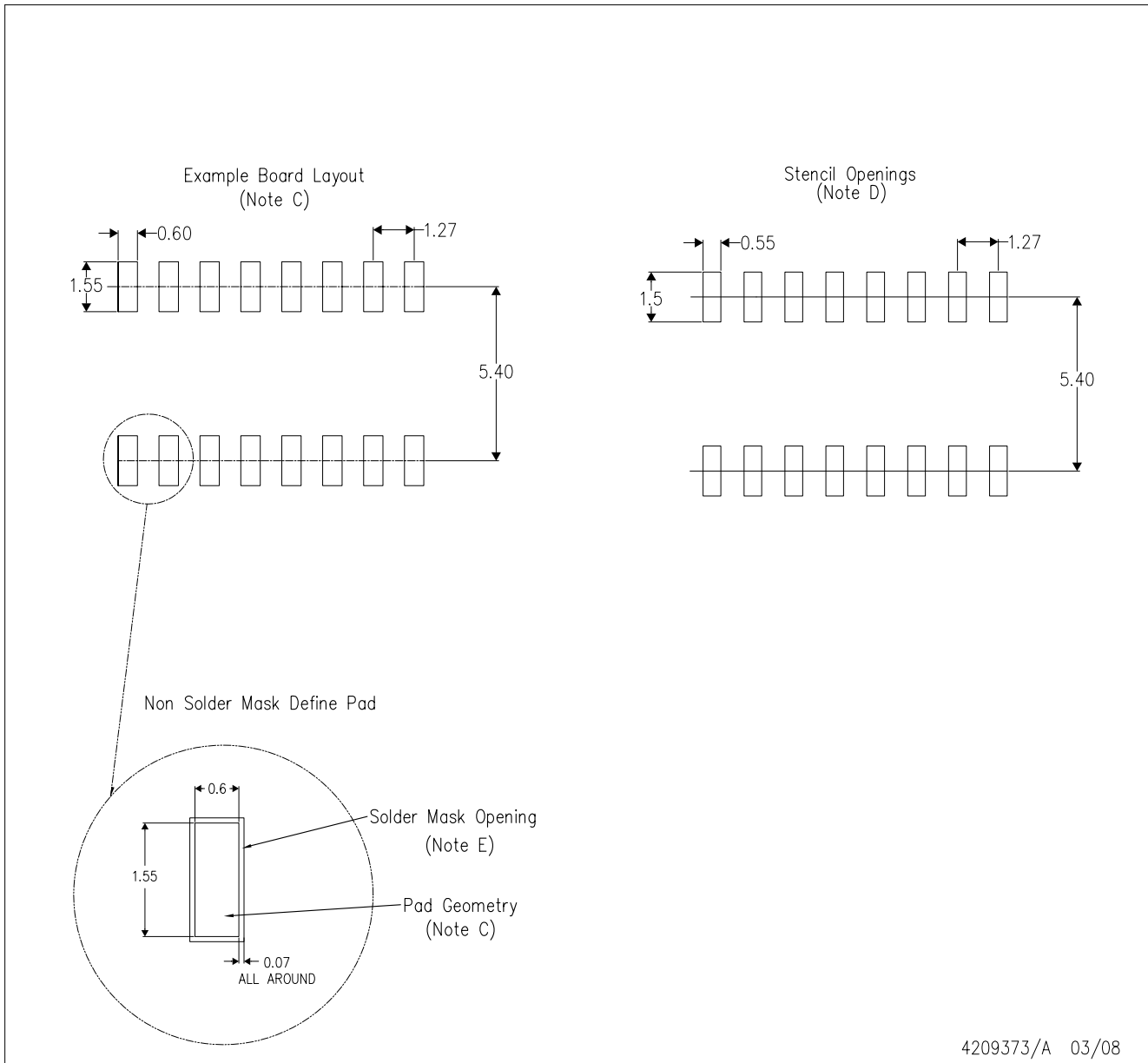
D (R-PDSO-G16)

PLASTIC SMALL-OUTLINE PACKAGE



- NOTES:
- A. All linear dimensions are in inches (millimeters).
  - B. This drawing is subject to change without notice.
  - C. Body length does not include mold flash, protrusions, or gate burrs. Mold flash, protrusions, or gate burrs shall not exceed .006 (0,15) per end.
  - D. Body width does not include interlead flash. Interlead flash shall not exceed .017 (0,43) per side.
  - E. Reference JEDEC MS-012 variation AC.

D(R-PDSO-G16)



4209373/A 03/08

- NOTES:
- A. All linear dimensions are in millimeters.
  - B. This drawing is subject to change without notice.
  - C. Refer to IPC7351 for alternate board design.
  - D. Laser cutting apertures with trapezoidal walls and also rounding corners will offer better paste release. Customers should contact their board assembly site for stencil design recommendations. Refer to IPC-7525
  - E. Customers should contact their board fabrication site for solder mask tolerances between and around signal pads.

## IMPORTANT NOTICE

Texas Instruments Incorporated and its subsidiaries (TI) reserve the right to make corrections, modifications, enhancements, improvements, and other changes to its products and services at any time and to discontinue any product or service without notice. Customers should obtain the latest relevant information before placing orders and should verify that such information is current and complete. All products are sold subject to TI's terms and conditions of sale supplied at the time of order acknowledgment.

TI warrants performance of its hardware products to the specifications applicable at the time of sale in accordance with TI's standard warranty. Testing and other quality control techniques are used to the extent TI deems necessary to support this warranty. Except where mandated by government requirements, testing of all parameters of each product is not necessarily performed.

TI assumes no liability for applications assistance or customer product design. Customers are responsible for their products and applications using TI components. To minimize the risks associated with customer products and applications, customers should provide adequate design and operating safeguards.

TI does not warrant or represent that any license, either express or implied, is granted under any TI patent right, copyright, mask work right, or other TI intellectual property right relating to any combination, machine, or process in which TI products or services are used. Information published by TI regarding third-party products or services does not constitute a license from TI to use such products or services or a warranty or endorsement thereof. Use of such information may require a license from a third party under the patents or other intellectual property of the third party, or a license from TI under the patents or other intellectual property of TI.

Reproduction of TI information in TI data books or data sheets is permissible only if reproduction is without alteration and is accompanied by all associated warranties, conditions, limitations, and notices. Reproduction of this information with alteration is an unfair and deceptive business practice. TI is not responsible or liable for such altered documentation. Information of third parties may be subject to additional restrictions.

Resale of TI products or services with statements different from or beyond the parameters stated by TI for that product or service voids all express and any implied warranties for the associated TI product or service and is an unfair and deceptive business practice. TI is not responsible or liable for any such statements.

TI products are not authorized for use in safety-critical applications (such as life support) where a failure of the TI product would reasonably be expected to cause severe personal injury or death, unless officers of the parties have executed an agreement specifically governing such use. Buyers represent that they have all necessary expertise in the safety and regulatory ramifications of their applications, and acknowledge and agree that they are solely responsible for all legal, regulatory and safety-related requirements concerning their products and any use of TI products in such safety-critical applications, notwithstanding any applications-related information or support that may be provided by TI. Further, Buyers must fully indemnify TI and its representatives against any damages arising out of the use of TI products in such safety-critical applications.

TI products are neither designed nor intended for use in military/aerospace applications or environments unless the TI products are specifically designated by TI as military-grade or "enhanced plastic." Only products designated by TI as military-grade meet military specifications. Buyers acknowledge and agree that any such use of TI products which TI has not designated as military-grade is solely at the Buyer's risk, and that they are solely responsible for compliance with all legal and regulatory requirements in connection with such use.

TI products are neither designed nor intended for use in automotive applications or environments unless the specific TI products are designated by TI as compliant with ISO/TS 16949 requirements. Buyers acknowledge and agree that, if they use any non-designated products in automotive applications, TI will not be responsible for any failure to meet such requirements.

Following are URLs where you can obtain information on other Texas Instruments products and application solutions:

### Products

Amplifiers	<a href="http://amplifier.ti.com">amplifier.ti.com</a>
Data Converters	<a href="http://dataconverter.ti.com">dataconverter.ti.com</a>
DLP® Products	<a href="http://www.dlp.com">www.dlp.com</a>
DSP	<a href="http://dsp.ti.com">dsp.ti.com</a>
Clocks and Timers	<a href="http://www.ti.com/clocks">www.ti.com/clocks</a>
Interface	<a href="http://interface.ti.com">interface.ti.com</a>
Logic	<a href="http://logic.ti.com">logic.ti.com</a>
Power Mgmt	<a href="http://power.ti.com">power.ti.com</a>
Microcontrollers	<a href="http://microcontroller.ti.com">microcontroller.ti.com</a>
RFID	<a href="http://www.ti-rfid.com">www.ti-rfid.com</a>
RF/IF and ZigBee® Solutions	<a href="http://www.ti.com/lprf">www.ti.com/lprf</a>

### Applications

Audio	<a href="http://www.ti.com/audio">www.ti.com/audio</a>
Automotive	<a href="http://www.ti.com/automotive">www.ti.com/automotive</a>
Broadband	<a href="http://www.ti.com/broadband">www.ti.com/broadband</a>
Digital Control	<a href="http://www.ti.com/digitalcontrol">www.ti.com/digitalcontrol</a>
Medical	<a href="http://www.ti.com/medical">www.ti.com/medical</a>
Military	<a href="http://www.ti.com/military">www.ti.com/military</a>
Optical Networking	<a href="http://www.ti.com/opticalnetwork">www.ti.com/opticalnetwork</a>
Security	<a href="http://www.ti.com/security">www.ti.com/security</a>
Telephony	<a href="http://www.ti.com/telephony">www.ti.com/telephony</a>
Video & Imaging	<a href="http://www.ti.com/video">www.ti.com/video</a>
Wireless	<a href="http://www.ti.com/wireless">www.ti.com/wireless</a>

Mailing Address: Texas Instruments, Post Office Box 655303, Dallas, Texas 75265  
Copyright © 2009, Texas Instruments Incorporated