



16-BIT, 4-MSPS, PSEUDO-BIPOLAR, FULLY DIFFERENTIAL INPUT, MICROPOWER SAMPLING ANALOG-TO-DIGITAL CONVERTER WITH PARALLEL INTERFACE, REFERENCE

FEATURES

- Fully Differential Input with Pseudo-Bipolar Input Range -4 V to +4 V
- 16-Bit NMC at 4 MSPS
- 1 LSB INL Typ
- 92dB SNR, -102dB THD Typ with 100-kHz Input
- Internal 4.096-V Reference and Reference Buffer
- REFIN/2 Available for Setting Analog Input Common-Mode Voltage
- Zero Latency
- High-Speed Parallel Interface
- Single Supply Operation Capability
- Low Power: 155 mW at 4 MHz Typ, Flexible Power-Down Scheme
- Pin-Out Similar to ADS8412/8402
- 48-Pin 9×9 TQFP Package

APPLICATIONS

- DWDM
- Instrumentation
- High-Speed, High-Resolution, Zero Latency Data Acquisition Systems
- Transducer Interface
- Medical Instruments
- Spectrum Analysis
- ATE

DESCRIPTION

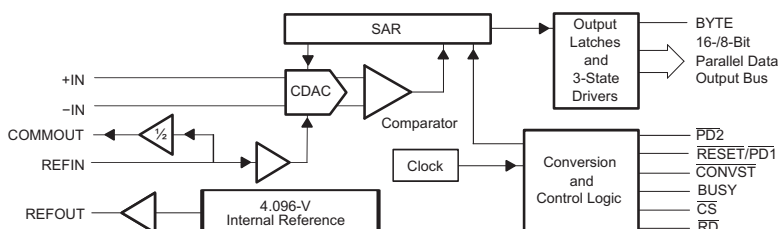
The ADS8422 is a 16-bit, 4-MHz A/D converter with an internal 4.096-V reference. The device includes a 16-bit capacitor-based multi-bit SAR A/D converter with inherent sample and hold. This converter includes a full 16-bit interface and an 8-bit option where data is read using two 8-bit read cycles if necessary.

The ADS8422 has a fully differential, pseudo-bipolar input. It is available in a 48-lead TQFP package and is characterized over the industrial -40°C to +85°C temperature range.

HIGH-SPEED SAR CONVERTER FAMILY⁽¹⁾

TYPE/SPEED	500 kHz	~600 kHz	750 kHz	1 MHz	1.25 MHz	2 MHz	3 MHz	4MHz
18-Bit Pseudo-Diff	ADS8383	ADS8381		ADS8481				
		ADS8380 (s)						
18-Bit Pseudo-Bipolar, Fully Diff		ADS8382 (s)		ADS8482				
16-Bit Pseudo-Diff		ADS8370 (s)	ADS8371	ADS8471	ADS8401	ADS8411		
	ADS8327/28 (s)	ADS8372 (s)		ADS8329/30 (s)	ADS8405	ADS8410 (s)		
16-Bit Pseudo-Bipolar, Fully Diff				ADS8472	ADS8402	ADS8412		ADS8422
					ADS8406	ADS8413 (s)		
14-Bit Pseudo-Diff					ADS7890 (s)		ADS7891	
12-Bit Pseudo-Diff				ADS7886		ADS7883		ADS7881

(1) S: Serial



Please be aware that an important notice concerning availability, standard warranty, and use in critical applications of Texas Instruments semiconductor products and disclaimers thereto appears at the end of this data sheet.



These devices have limited built-in ESD protection. The leads should be shorted together or the device placed in conductive foam during storage or handling to prevent electrostatic damage to the MOS gates.

ORDERING INFORMATION⁽¹⁾

MODEL	MAXIMUM INTEGRAL LINEARITY (LSB)	MAXIMUM DIFFERENTIAL LINEARITY (LSB)	NO MISSING CODES RESOLUTION (BIT)	PACKAGE TYPE	PACKAGE DESIGNATOR	TEMPERATURE RANGE	ORDERING INFORMATION	TRANSPORT MEDIA QTY.
ADS8422I	±6	±2	15	9×9 48-Pin TQFP	PFB	–40°C to 85°C	ADS8422IPFBT	Small tape and reel 250
							ADS8422IPFBR	Tape and reel 1000
ADS8422IB	±2	+1.5/-1	16	9×9 48-Pin TQFP	PFB	–40°C to 85°C	ADS8422IBPFBT	Small tape and reel 250
							ADS8422IBPFBR	Tape and reel 1000

(1) For the most current package and ordering information, see the Package Option Addendum at the end of this document, or see the TI website at www.ti.com.

ABSOLUTE MAXIMUM RATINGS⁽¹⁾

over operating free-air temperature range (unless otherwise noted)

		VALUE	UNIT
Voltage	+IN to AGND	–0.4 to +VA + 0.1	V
	–IN to AGND	–0.4 to +VA + 0.1	V
	+VA to AGND	–0.3 to 7	V
	+VBD to BDGND	–0.3 to 7	V
Digital input voltage to BDGND		–0.3 to +VBD + 0.3	V
Digital output voltage to BDGND		–0.3 to +VBD + 0.3	V
T _A	Operating free-air temperature range	–40 to 85	°C
T _{stg}	Storage temperature range	–65 to 150	°C
Junction temperature (T _J max)		150	°C
TQFP 48-pin package	Power dissipation	(T _J Max – T _A)/θ _{JA}	
	θ _{JA} thermal impedance	86	°C/W
Lead temperature, soldering	Vapor phase (60 sec)	215	°C
	Infrared (15 sec)	220	°C

(1) Stresses beyond those listed under *absolute maximum ratings* may cause permanent damage to the device. These are stress ratings only, and functional operation of the device at these or any other conditions beyond those indicated under *recommended operating conditions* is not implied. Exposure to absolute-maximum-rated conditions for extended periods may affect device reliability.

SPECIFICATIONS

$T_A = -40^\circ\text{C}$ to 85°C , $+VA = 5\text{ V}$, $+VAREG = 5\text{ V}$ to 3 V , $+VBD = 5\text{ V}$ to 2.7 V , $f_{\text{SAMPLE}} = 4\text{ MSPS}$, $V_{\text{ref}} = 4.096\text{ V}$ (measured with internal reference buffer) (unless otherwise noted)

PARAMETER		TEST CONDITIONS	MIN	TYP	MAX	UNIT
ANALOG INPUT						
Full-scale input voltage ⁽¹⁾		+IN – (–IN)	$-V_{\text{ref}}$		V_{ref}	V
Absolute input voltage		+IN	–0.2		$V_{\text{ref}} + 0.2$	V
		–IN	–0.2		$V_{\text{ref}} + 0.2$	
Common-mode input range			$(V_{\text{ref}})/2 - 0.2$	$(V_{\text{ref}})/2$	$(V_{\text{ref}})/2 + 0.2$	V
Input capacitance				30		pF
Input leakage current					1	nA
SYSTEM PERFORMANCE						
Resolution				16		Bits
No missing codes		ADS8422I	15			Bits
		ADS8422IB	16			
Integral linearity ⁽²⁾⁽³⁾		ADS8422I	–6	± 2	6	LSB (16 bit) ⁽²⁾
		ADS8422IB	–2	± 1	2	
Differential linearity		ADS8422I	–2	± 0.7	2	LSB (16 bit)
		ADS8422IB	–1	± 0.7	1.5	
Offset error			–0.5	± 0.25	0.5	mV
Offset error drift				± 0.2		ppm/ $^\circ\text{C}$
Gain error ⁽⁴⁾⁽⁵⁾		$V_{\text{ref}} = 4.096\text{ V}$	–0.1	± 0.05	0.1	%FS
Gain error drift		$V_{\text{ref}} = 4.096\text{ V}$		± 2		ppm/ $^\circ\text{C}$
Common-mode rejection ratio		At dc		81		dB
		At code 0000h with $[+IN + (-IN)]/2 = 512\text{ mV}_{\text{pp}}$ at 500 kHz,		78		
Noise		At 0000h output code		40		$\mu\text{V RMS}$
Power supply rejection ratio		At 8000h output code		78		dB
SAMPLING DYNAMICS						
Conversion time					0.180	μs
Acquisition time			0.070			μs
Throughput rate					4	MHz
Aperture delay				3		ns
Aperture jitter				7		ps RMS
Step response				70		ns
Overvoltage recovery				140		ns

- (1) Ideal input span, does not include gain or offset error.
- (2) LSB means least significant bit and is equal to $2V_{\text{REF}}/65536$.
- (3) This is endpoint INL, not best fit.
- (4) Measured relative to an ideal full-scale input $[+IN - (-IN)]$ of 8.192 V.
- (5) This specification does not include the internal reference voltage error and drift.

SPECIFICATIONS (Continued)

$T_A = -40^{\circ}\text{C}$ to 85°C , $+VA = 5\text{ V}$, $+VAREG = 5.25\text{ V}$ to 3 V , $+VBD = 5\text{ V}$ to 2.7 V , $f_{\text{SAMPLE}} = 4\text{ MSPS}$, $V_{\text{ref}} = 4.096\text{ V}$ (measured with internal reference buffer) (unless otherwise noted)

PARAMETER	TEST CONDITIONS	MIN	TYP	MAX	UNIT
DYNAMIC CHARACTERISTICS					
Total harmonic distortion (THD) ⁽¹⁾	$V_{\text{IN}} = 8\text{ V}_{\text{pp}}$	10 kHz	-114		dB
		100 kHz	-102		
		500 kHz	-100		
Signal to noise ratio (SNR)	$V_{\text{IN}} = 8\text{ V}_{\text{pp}}$	10 kHz	93		dB
		100 kHz	92		
		500 kHz	90		
Signal to noise + distortion (SINAD)	$V_{\text{IN}} = 8\text{ V}_{\text{pp}}$	10 kHz	92.5		dB
		100 kHz	91.5		
		500 kHz	89.5		
Spurious free dynamic range (SFDR)	$V_{\text{IN}} = 8\text{ V}_{\text{pp}}$	10 kHz	116		dB
		100 kHz	109		
		500 kHz	106		
-3dB Small signal bandwidth			30		MHz
Maximum input frequency, $f_{i(\text{max})}$ ⁽²⁾	$V_{\text{IN}} = 8\text{ V}_{\text{pp}}$	2			MHz
VOLTAGE REFERENCE INPUT					
Reference voltage at REFIN, V_{ref}		3.9	4.096	4.15	V
Reference resistance			1000		MΩ
INTERNAL REFERENCE OUTPUT					
Internal reference start-up time	From 95% (+VA), with 1-μF capacitor on REFOUT			25	ms
Reference voltage range, V_{ref}	$I_O = 0$, $T_A = 25^{\circ}\text{C}$	4.088	4.096	4.104	V
Source current	Static load			10	μA
Line regulation	$+VA = 4.75\text{ V}$ to 5.25 V		±1		mV
Drift	$I_O = 0$		±6		PPM/°C
ANALOG COMMON-MODE, PIN 3					
Output voltage range	$I_O = 0$	$V_{\text{REF}}/2 - 0.016$	$V_{\text{REF}}/2$	$V_{\text{REF}}/2 + 0.016$	V
Source current	Static load		200		μA

(1) Calculated on the first nine harmonics of the input frequency.

(2) ADC Sampling circuit is optimized to accept inputs until Nyquist frequency. Dynamic performance may degrade rapidly above $f_{i(\text{max})}$.

SPECIFICATIONS (Continued)

$T_A = -40^\circ\text{C}$ to 85°C , +VA = 5 V, +VAREG = 5 V to 3 V, +VBD = 5 V to 2.7 V, $f_{\text{SAMPLE}} = 4$ MSPS, $V_{\text{ref}} = 4.096$ V (measured with internal reference buffer) (unless otherwise noted)

PARAMETER		TEST CONDITIONS	MIN	TYP	MAX	UNIT	
DIGITAL INPUT/OUTPUT							
Logic family – CMOS							
Logic level	V_{IH}	$I_{\text{IH}} = 5 \mu\text{A}$	$0.75 \times (+\text{VBD})$		$+\text{VBD} + 0.3$	V	
	V_{IL}	$I_{\text{IL}} = 5 \mu\text{A}$	-0.3		0.8		
	V_{OH}	$I_{\text{OH}} = 2$ TTL loads	$+\text{VBD} - 0.6$				
	V_{OL}	$I_{\text{OL}} = 2$ TTL loads			0.4		
Data format – Twos complement							
POWER SUPPLY REQUIREMENTS							
Power supply voltage	+VA		4.75	5	5.25	V	
	+VAREG		2.85	3.0	5.25		
	+VBD		2.7	3.0	5.25		
Supply current	+VA	+VA = 5 V, $\overline{\text{PD1}} = 1$, $\overline{\text{PD2}} = 1$		24	27	mA	
	+VAREG	+VAREG = 5 V, $\overline{\text{PD1}} = 1$, $\overline{\text{PD2}} = 1$		12	14	mA	
		+VAREG = 3 V, $\overline{\text{PD1}} = 1$, $\overline{\text{PD2}} = 1$		12	14		
	+VBD ⁽¹⁾	+VBD = 3 V, 10 pF/pin			0.55	mA	
+VBD = 5 V, 20 pF/pin				1.8			
POWER DOWN⁽²⁾							
Supply current	+VA	$\overline{\text{PD1}} = 0$, $\overline{\text{PD2}} = 1$, +VA = 5 V		2.5	3.4	mA	
	+VAREG			5		μA	
Power						17	mW
Power-up time		$(\overline{\text{PD1}}, \overline{\text{PD2}}) : (0,1) \rightarrow (1,1)$			5	μs	
Supply current	+VA	$\overline{\text{PD1}} = 0$, $\overline{\text{PD2}} = 0$		5		μA	
	+VAREG			5			
Power						40	μW
Power-up time		$(\overline{\text{PD1}}, \overline{\text{PD2}}) : (0,0) \rightarrow (1,1)$, 1- μF Storage capacitor from REFOUT to AGND			25	ms	
TEMPERATURE RANGE							
Operating free-air			-40		85	$^\circ\text{C}$	

- (1) This includes the current required for charging the external load capacitance on the digital outputs and is measured with four digital outputs toggling at the same time.
- (2) $(\overline{\text{PD1}}, \overline{\text{PD2}}) = (1,0)$ is reserved. Do not use this power-down pins combination.

TIMING CHARACTERISTICS FROM DIGITAL INPUTS

All specifications typical at –40°C to 85°C, +VBD = 2.7 V to 5.25 V ⁽¹⁾⁽²⁾

PARAMETER		MIN	TYP	MAX	UNIT
CONVERSION AND ACQUISITION					
$t_{(ACQ)}$	Acquisition time, internal to device, not externally visible	70			ns
t_{w1}	Pulse duration, \overline{CONVST} low	20			ns
t_{w2}	Pulse duration, \overline{CONVST} high	100			ns
t_{p1}	Period, \overline{CONVST}	250			ns
t_{q1}	Quiet time, last toggle of interface input signals during acquisition before \overline{CONVST} falling ⁽³⁾	30			ns
t_{q2}	Quiet time, \overline{CONVST} falling to first toggle of interface input signals ⁽³⁾	10			ns
POWER DOWN					
t_{w3}	Pulse duration	$\overline{PD1}$ low for only ADC reset (no powerdown)	20	500	ns
		$\overline{PD1}$ low for ADC reset and also ADC powerdown	1500		
		$\overline{PD2}$ low pulse duration for REFOUT and COMMOUT buffers powerdown	1500		
	Pulse duration, all others unspecified	10			ns

- (1) All input signals are specified with $t_r = t_f = 5$ ns (10% to 90% of V_{DD}) and timed from after 90% of transition.
- (2) All digital output signals loaded with 10-pF capacitors at +VBD = 2.7 V and 20-pF capacitor at +VBD = 5.25 V and timed to reaching 90% of transition.
- (3) Quiet time zones are for meeting performance and not functionality.

TIMING CHARACTERISTICS OF DIGITAL OUTPUTS

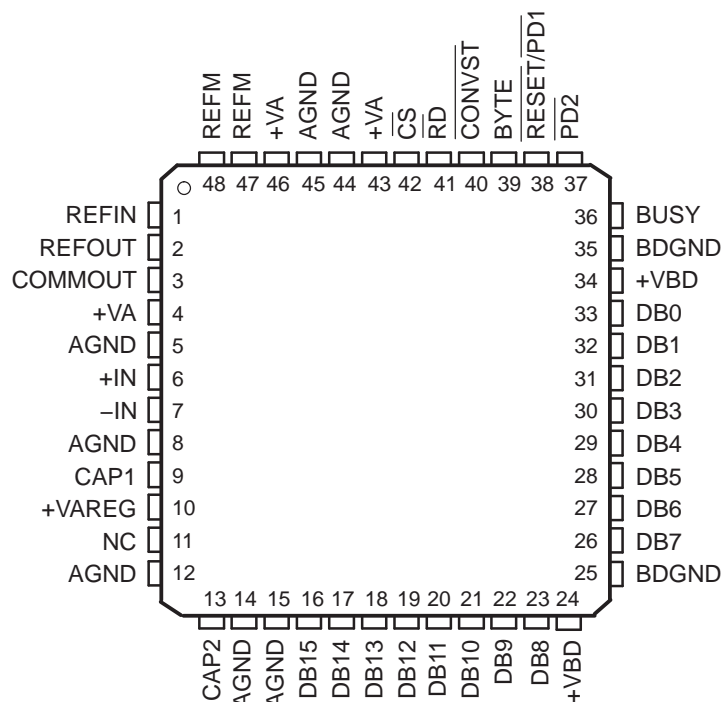
All specifications typical at –40°C to 85°C, +VBD = 2.7 V to 5.25 V ⁽¹⁾⁽²⁾

PARAMETER		MIN	TYP	MAX	UNIT
CONVERSION AND ACQUISITION					
$t_{(CONV)}$	Conversion time, internal to device, not externally visible			180	ns
t_{d1}	Delay time, \overline{CONVST} fall to conversion start (aperture delay)		3		ns
DATA READ OPERATION					
t_{d2}	Delay time, \overline{CONVST} low to data valid if $\overline{CS} = \overline{RD} = 0$			225	ns
t_{d3}	Delay time, data valid to BUSY low if $\overline{CS} = \overline{RD} = 0$	5			ns
t_{d4}	Delay time, \overline{RD} (or \overline{CS}) low to data valid			17	ns
t_{d5}	Delay time, BYTE toggle to data valid			20	ns
t_{d6}	Delay time, data three-state after \overline{RD} (or \overline{CS}) high			12	ns
POWER DOWN					
t_{d7}	Delay time, $\overline{PD1}$ low to BUSY rising			20	ns
t_{d8}	Delay time, $\overline{PD1}$ high to device operational (with $\overline{PD2}$ held high)			5	μ s
	Delay time, $\overline{PD2}$ high to REFOUT/COMMOUT valid			25	ms
	Delay time, power up (after $AV_{DD} = 4.75$ V)			25	ms
t_{d9}	Delay time, data three-state after $\overline{PD1}$ low			1.5	μ s

- (1) All input signals are specified with $t_r = t_f = 5$ ns (10% to 90% of V_{DD}) and timed from after 90% of transition.
- (2) All digital output signals loaded with 10-pF capacitors at +VBD = 2.7 V and 20-pF capacitor at +VBD = 5.25 V and timed to reaching 90% of transition.

PIN ASSIGNMENTS

PFB Package (Top View)



- A. NC - No connection
- B. Pins 9 and 13 are internally regulated 3-V outputs and are externally to be connected to decoupling capacitors only.
- C. +VAREG can be connected to a 3-V to 5-V supply.
- D. Pin 3 outputs REFIN/2
- E. Pin 38 can be used for ADC powerdown and pin 37 for analog output powerdown.

TERMINAL FUNCTIONS

NAME	NO	I/O	DESCRIPTION		
AGND	5, 8, 12, 14, 15, 44, 45	–	Analog ground		
BDGND	25, 35	–	Digital ground for bus interface digital supply		
BUSY	36	O	Status output. High when a conversion is in progress.		
BYTE	39	I	Byte select input. Used for 8-bit bus reading. 0: No fold back 1: Low byte D[7:0] of the 16 most significant bits is folded back to high byte of the 16 most significant pins DB[15:8].		
COMMOUT	3	O	This pin outputs REFIN/2 and can be used to set the common-mode voltage of the differential analog input, (+IN + –IN)/2.		
CONVST	40	I	Convert start. This input is low true and can act independent of the CS input.		
CS	42	I	Chip select.		
CAP1, CAP2	9, 13	O	Decoupling of internally generated 3-V supply. Add 1-μF capacitor from these pins to AGND.		
Data Bus			8-BIT BUS		16-BIT BUS
			BYTE = 0	BYTE = 1	BYTE = 0
DB15	16	O	D15 (MSB)	D7	D15 (MSB)
DB14	17	O	D14	D6	D14
DB13	18	O	D13	D5	D13
DB12	19	O	D12	D4	D12
DB11	20	O	D11	D3	D11
DB10	21	O	D10	D2	D10

TERMINAL FUNCTIONS (continued)

NAME	NO	I/O	DESCRIPTION		
DB9	22	O	D9	D1	D9
DB8	23	O	D8	D0 (LSB)	D8
DB7	26	O	D7	All ones	D7
DB6	27	O	D6	All ones	D6
DB5	28	O	D5	All ones	D5
DB4	29	O	D4	All ones	D4
DB3	30	O	D3	All ones	D3
DB2	31	O	D2	All ones	D2
DB1	32	O	D1	All ones	D1
DB0	33	O	D0 (LSB)	All ones	D0 (LSB)
–IN	7	I	Inverting input channel		
+IN	6	I	Noninverting input channel		
NC	11	–	No connection		
$\overline{\text{PD2}}$	37	I	Low true signal. A logic low longer than 1.5 μs applied to this pin powers down only the analog outputs that include REFOUT and COMMOUT. (NOTE: The combination $\overline{\text{PD1}} = 1$, $\overline{\text{PD2}} = 0$ is reserved. Do not use this combination.)		
REFIN	1	I	Reference input. Add 0.1- μF decoupling capacitor between REFIN and REFM.		
REFOUT	2	O	Reference output. Add 1- μF capacitor between the REFOUT pin and REFM pin when internal reference is used.		
REFM	47, 48	I	Reference ground		
$\overline{\text{RESET/PD1}}$	38	I	Low true signal. A low pulse applied to this pin resets the ADC; the ongoing conversion is aborted. A low pulse shorter than 0.5 μs only resets, and one longer than 1.5 μs resets and also powers down the ADC. Note that analog outputs REFOUT and COMMOUT can be powered down by $\overline{\text{PD2}}$, if necessary.		
$\overline{\text{RD}}$	41	I	Synchronization pulse for the parallel output.		
+VA	4, 46	–	Analog power supplies, 4.75 V to 5.25 VDC		
+VAREG	10	–	Regulator supply, 2.85 V to 5.25 VDC		
+VBD	24, 34	–	Digital power supply for bus		

TYPICAL CHARACTERISTICS

HISTOGRAM OF 262144 CONVERSIONS OF DC INPUT AT CENTER CODE (Internal Reference)

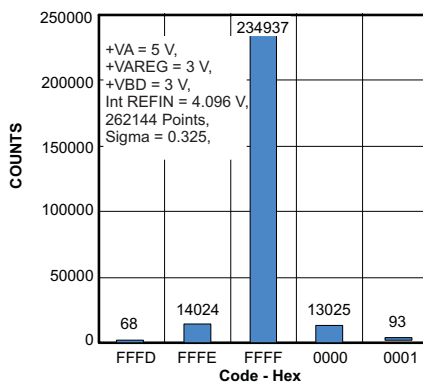


Figure 1.

HISTOGRAM OF 262144 CONVERSIONS OF DC INPUT AT CENTER CODE (External Reference)

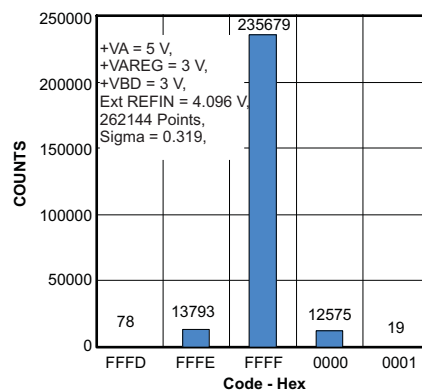


Figure 2.

INTERNAL REFERENCE VOLTAGE vs FREE-AIR TEMPERATURE (Three Devices Shown)

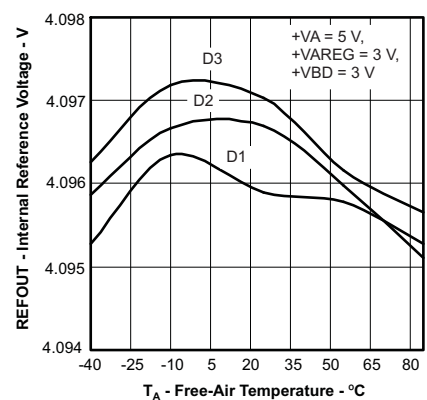


Figure 3.

TYPICAL CHARACTERISTICS (continued)

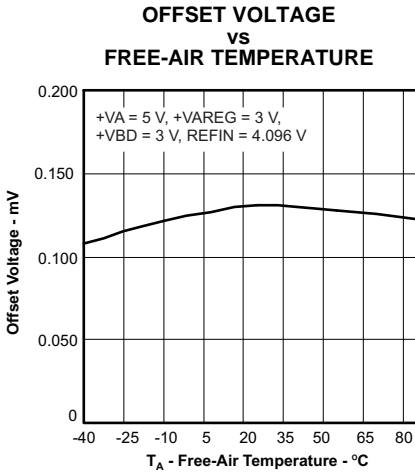


Figure 4.

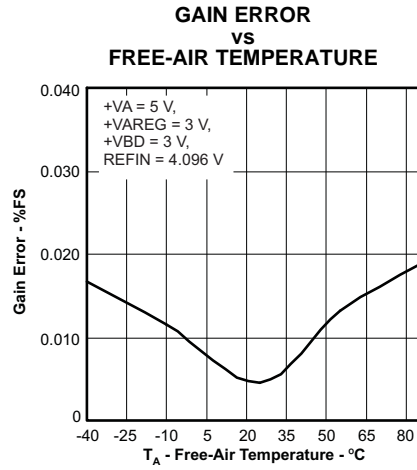


Figure 5.

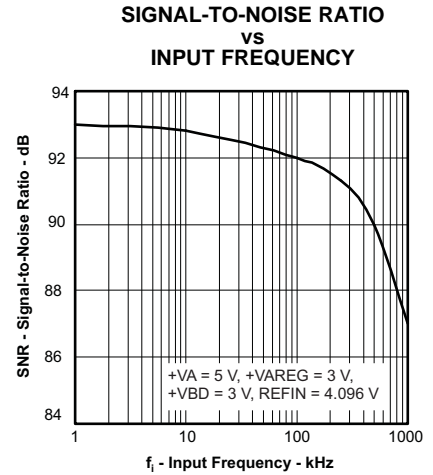


Figure 6.

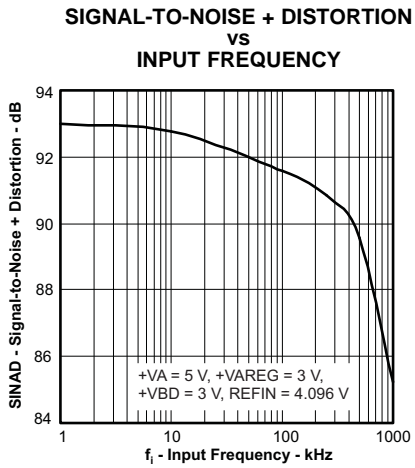


Figure 7.

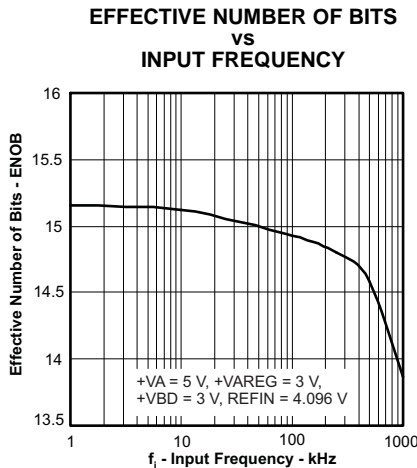


Figure 8.

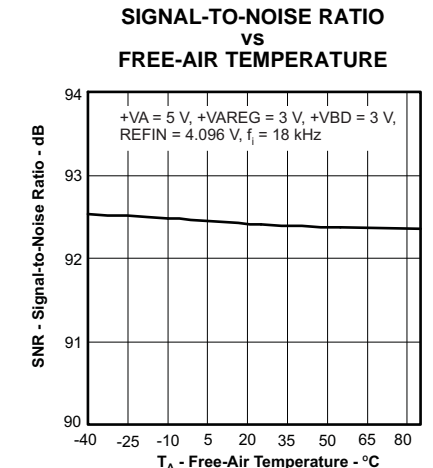


Figure 9.

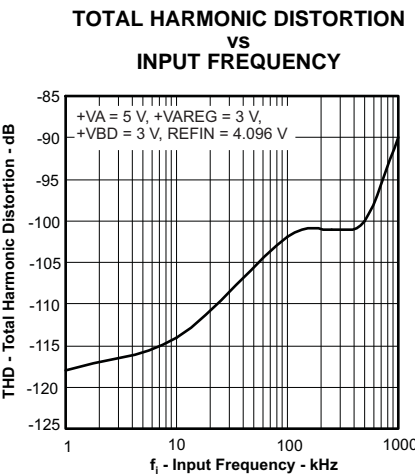


Figure 10.

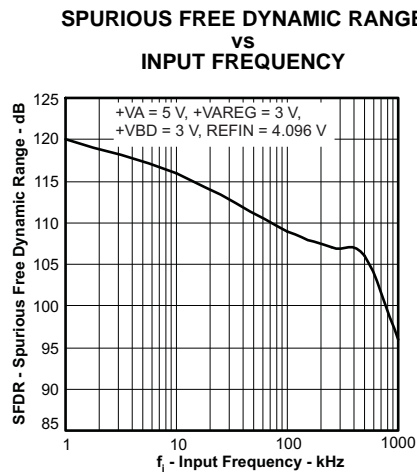


Figure 11.

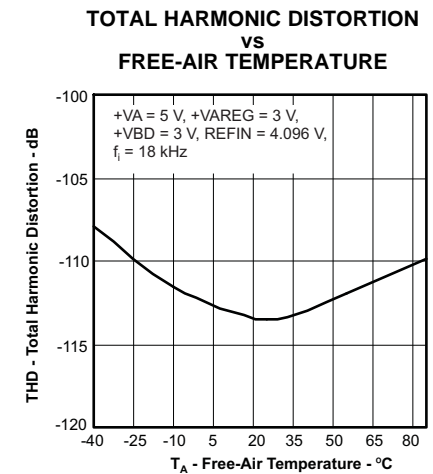


Figure 12.

TYPICAL CHARACTERISTICS (continued)

**POWER DISSIPATION
VS
THROUGHPUT**

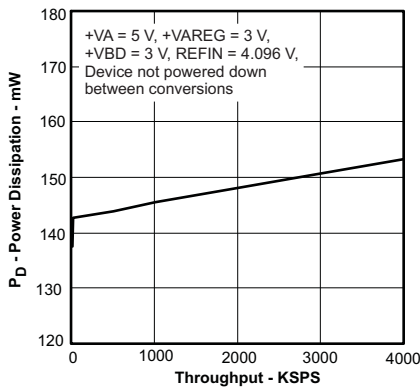


Figure 13.

**+VAREG CURRENT
VS
THROUGHPUT**

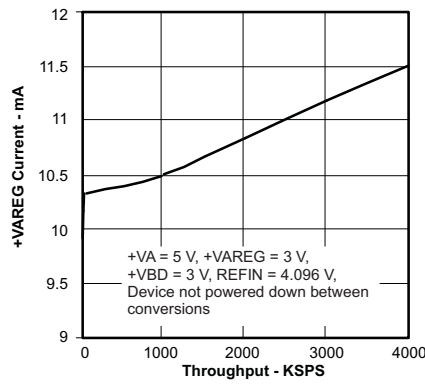


Figure 14.

**+VA CURRENT
VS
THROUGHPUT**

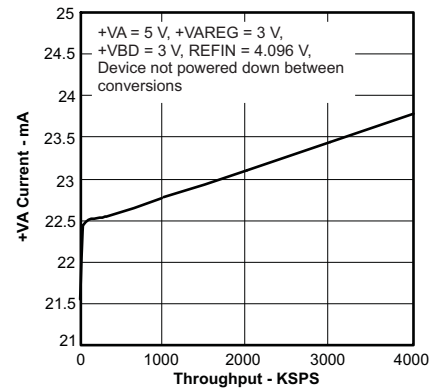


Figure 15.

**DIFFERENTIAL NONLINEARITY
VS
FREE-AIR TEMPERATURE**

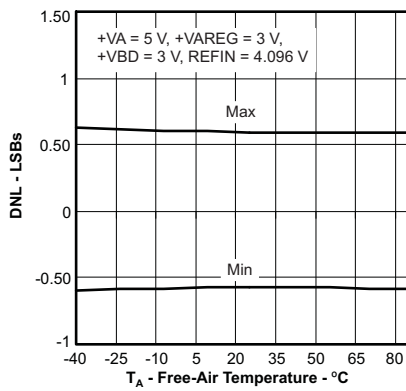


Figure 16.

**INTEGRAL NONLINEARITY
VS
FREE-AIR TEMPERATURE**

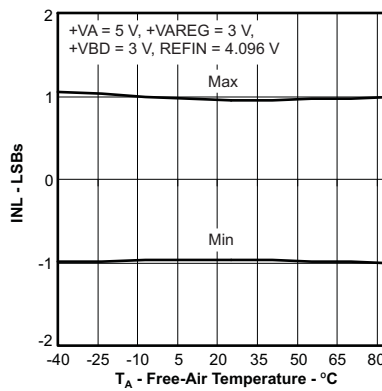


Figure 17.

**COMMON-MODE REJECTION RATIO
VS
FREQUENCY**

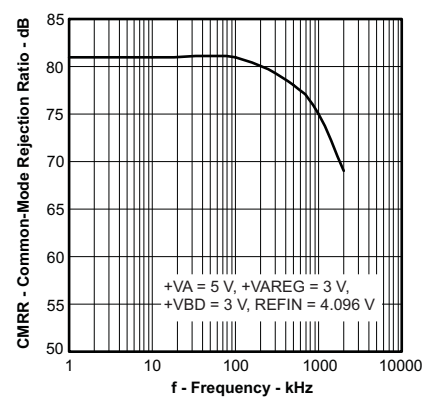


Figure 18.

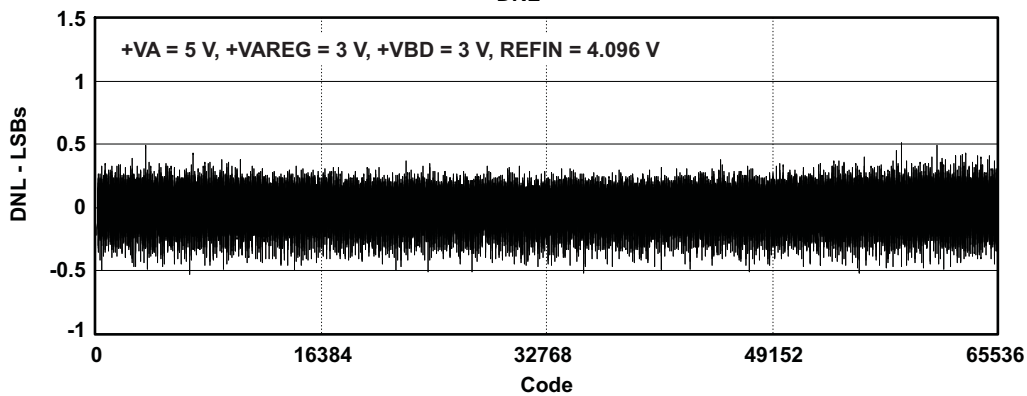
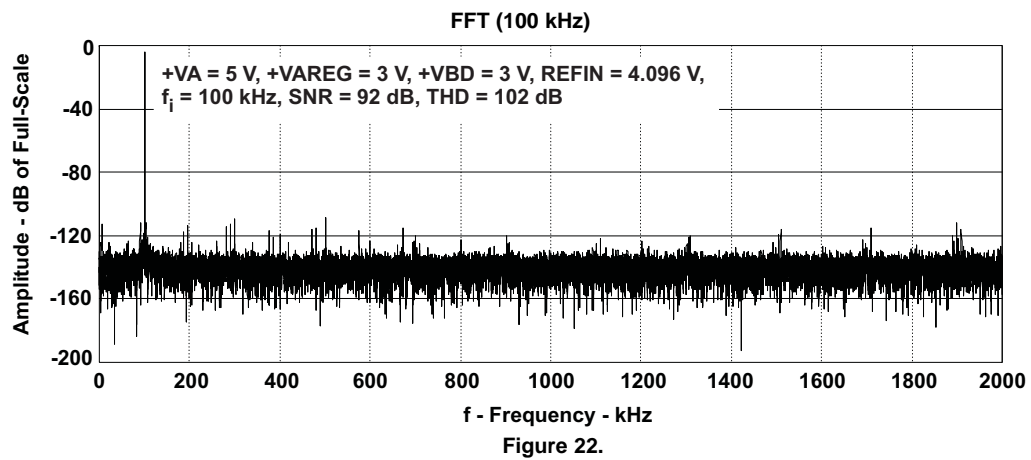
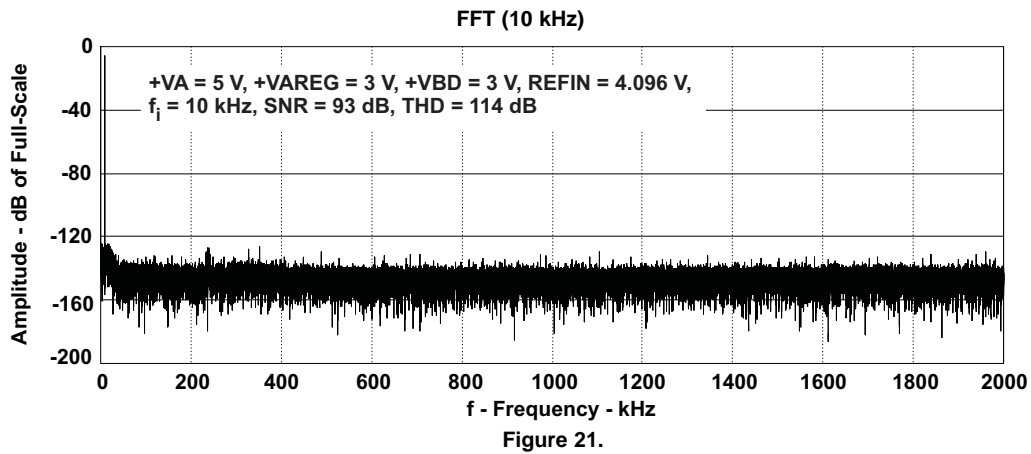
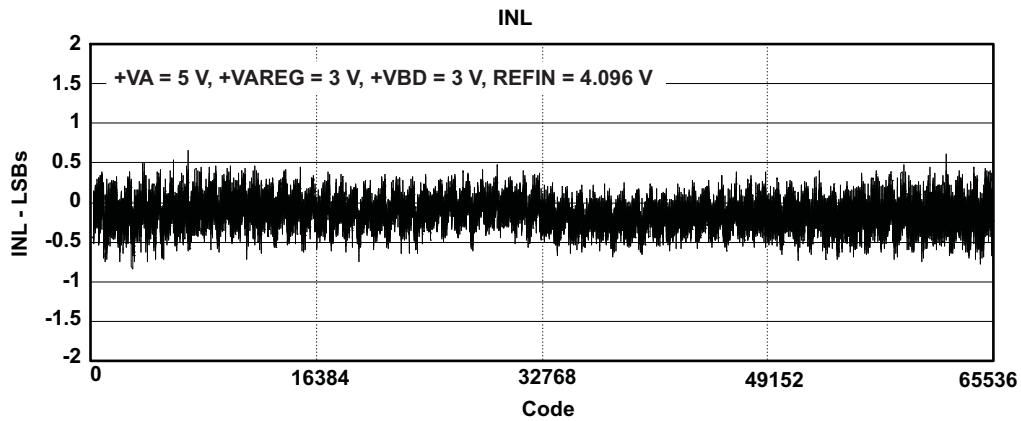
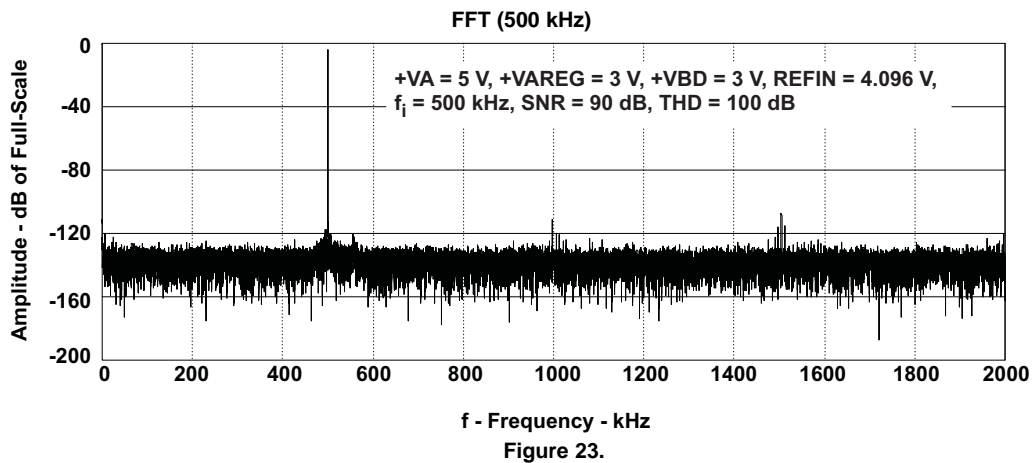


Figure 19.

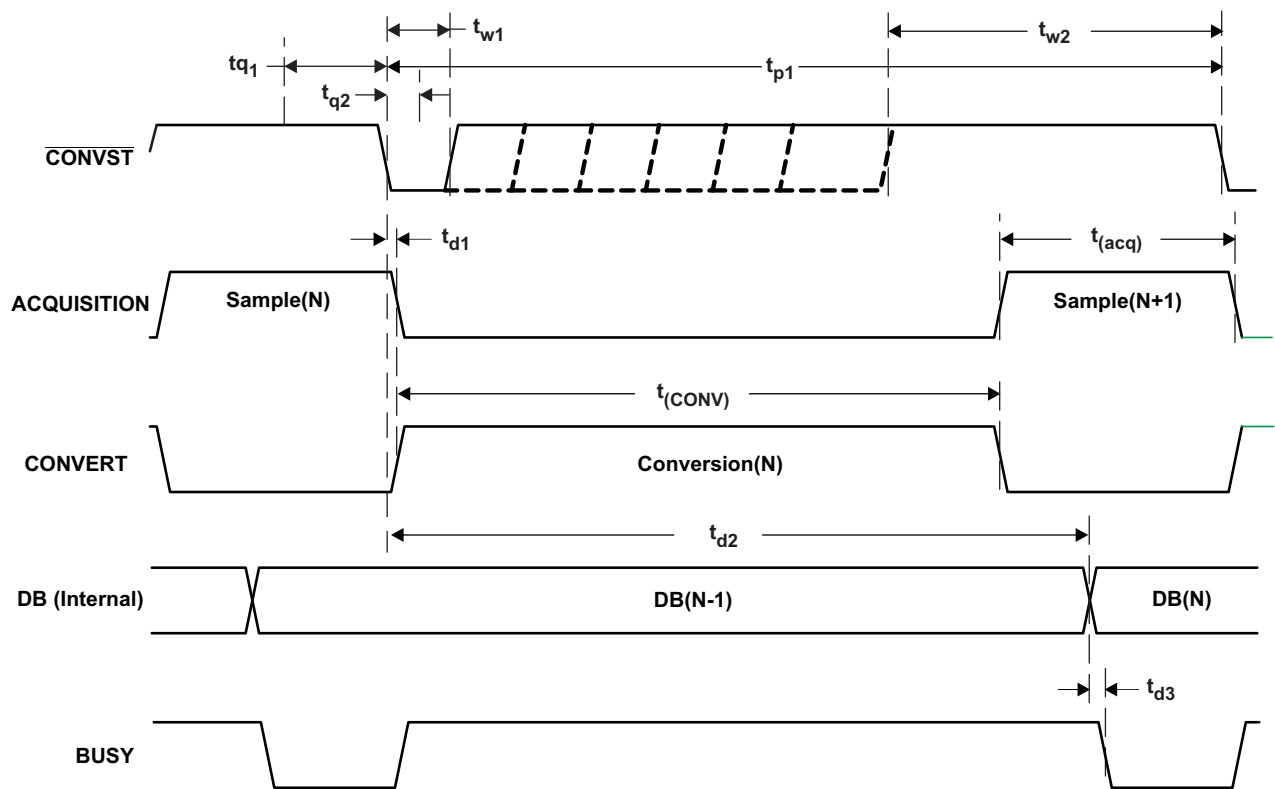
TYPICAL CHARACTERISTICS (continued)



TYPICAL CHARACTERISTICS (continued)

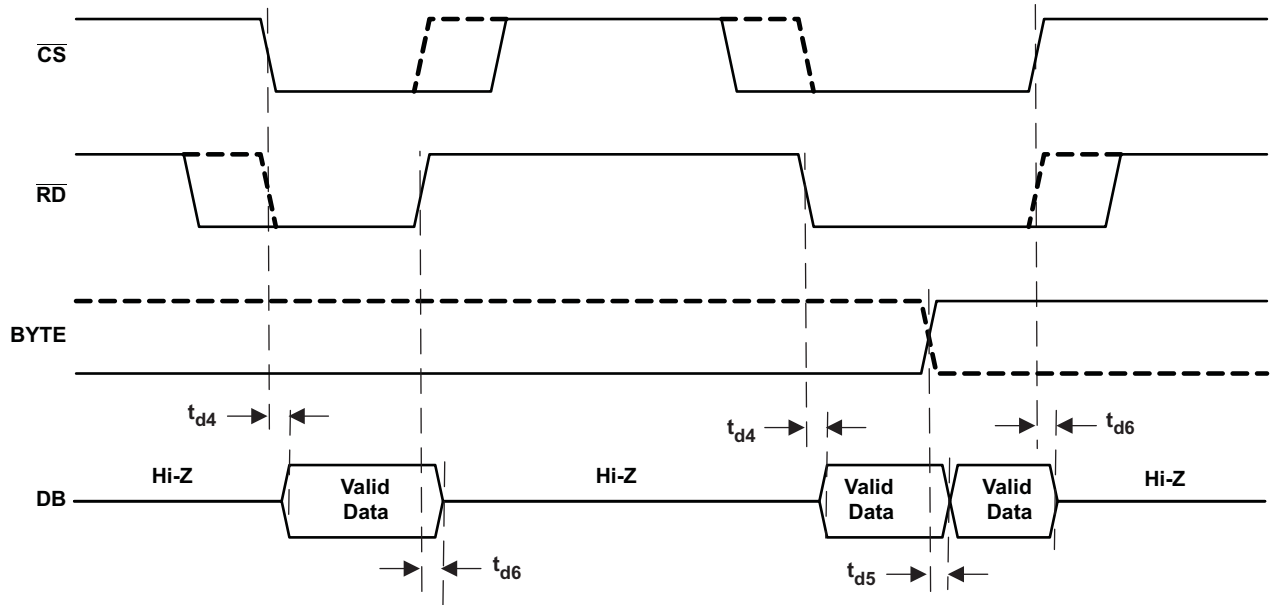


TIMING DIAGRAMS



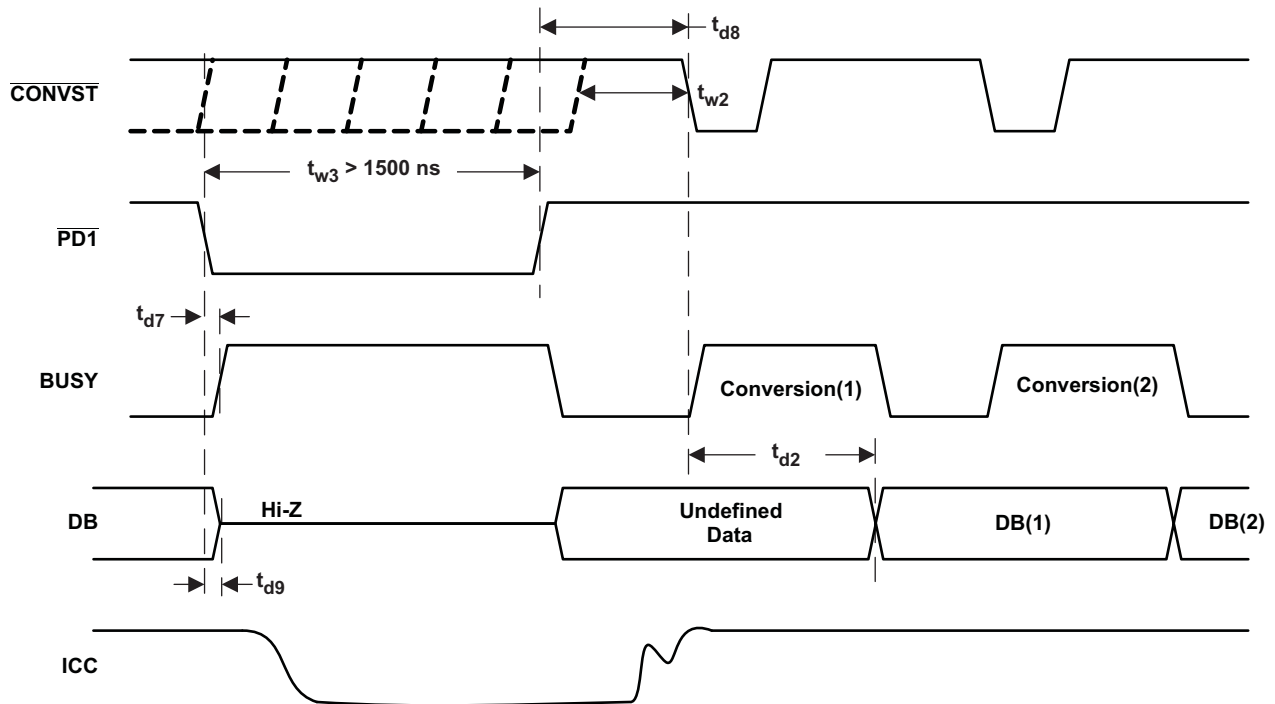
Note: The DB shown here is internal to the device and output on the pins only if and when \overline{CS} and \overline{RD} are both low (after t_{d4} ns). This is shown in [Figure 25](#).

Figure 24. Conversion Control Timing



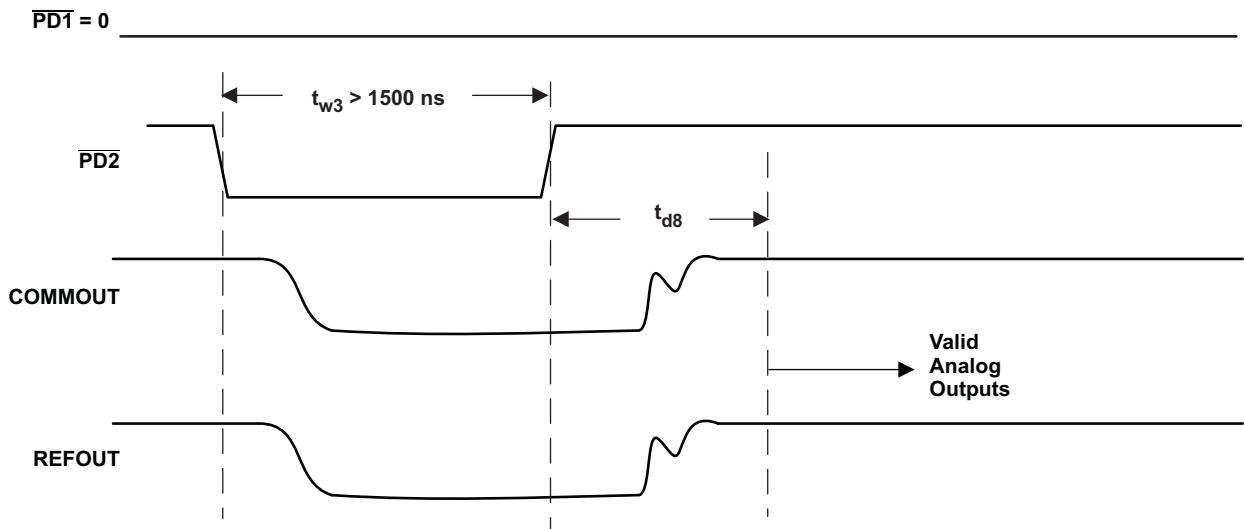
Note: Data is output on the pins only if \overline{CS} and \overline{RD} are both low, t_{d4} ns after this condition is satisfied.

Figure 25. Data Read Timing



Note: Data is valid from the first conversion initiated 5 μ s after $\overline{PD1}$ is pulled high.

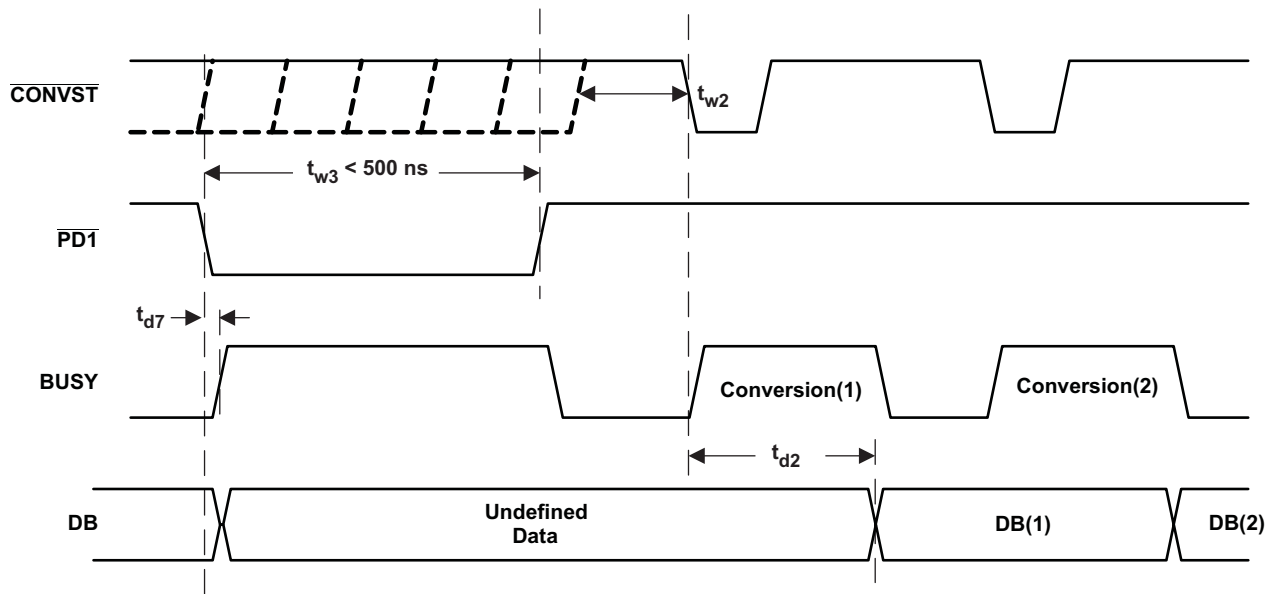
Figure 26. ADC Power-Down Timing



Note: Analog outputs are valid 25 ms after $\overline{PD2}$ is pulled high.

Figure 27. Analog Output Power-Down Timing

RESET TIMING



Note: Data valid from first conversion initiated 100 ns after $\overline{PD1}$ is pulled high.

Figure 28. ADC Reset

PRINCIPLES OF OPERATION

The ADS8422 is a member of a family of high-speed multi-bit successive approximation register (SAR) analog-to-digital converters (ADC). The architecture is based on charge redistribution, which inherently includes a sample/hold function. See [Figure 34](#) for the application circuit for the ADS8422.

The conversion clock is generated internally. The conversion time is a maximum of 180 ns that is capable of sustaining a 4-MHz throughput.

The analog input is provided to two input pins: +IN and -IN. When a conversion is initiated, the differential input on these pins is sampled on the internal capacitor array. While a conversion is in progress, both inputs are disconnected from any internal function.

REFERENCE

The ADS8422 has a built-in 4.096-V reference but can operate with an external 4.096-V reference. When internal reference is used, pin 2 (REFOUT) should be connected to pin 1 (REFIN) with a 0.1- μ F decoupling capacitor and a 1- μ F storage capacitor between pin 2 (REFOUT) and pins 47 and 48 (REFM). The internal reference of the converter is double buffered. If an external reference is used, the second buffer provides isolation between the external reference and the CDAC. This buffer is also used to recharge all of the capacitors of the CDAC during conversion. Pin 2 (REFOUT) can be left unconnected (floating) if an external reference is used.

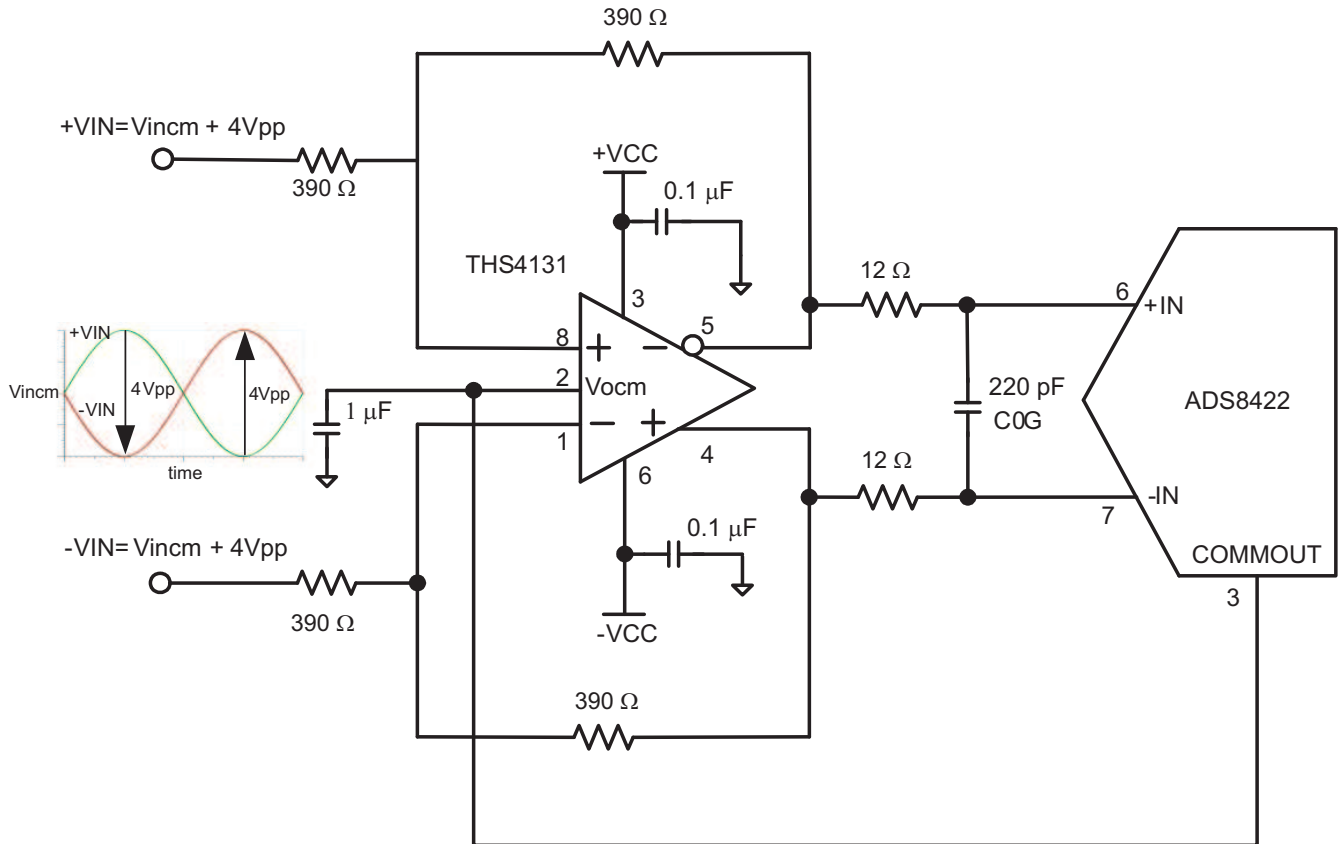
ANALOG INPUT

The ADS8422 has a pseudo-bipolar, fully differential input. When the input is differential, the amplitude of the input equals the difference between +IN and -IN. The peak-to-peak amplitude of each input is V_{REF} . However since the two inputs are 180° out of phase, the peak-to-peak amplitude of the difference voltage [+IN – (-IN)] is equal to $2V_{REF}$. The common-mode input range is from $V_{REF}/2 - 0.2$ V to $V_{REF}/2 + 0.2$ V.

In order to avoid additional external circuitry on the board, the ADS8422 outputs reference input on REFIN divided by 2 on pin 3 (COMMOOUT). This voltage can be used to set the common-mode of the output from the input driver.

[Figure 29](#), [Figure 30](#), [Figure 31](#), [Figure 32](#), and [Figure 33](#) show the recommended circuits to interface an analog input signal to the ADS8422.

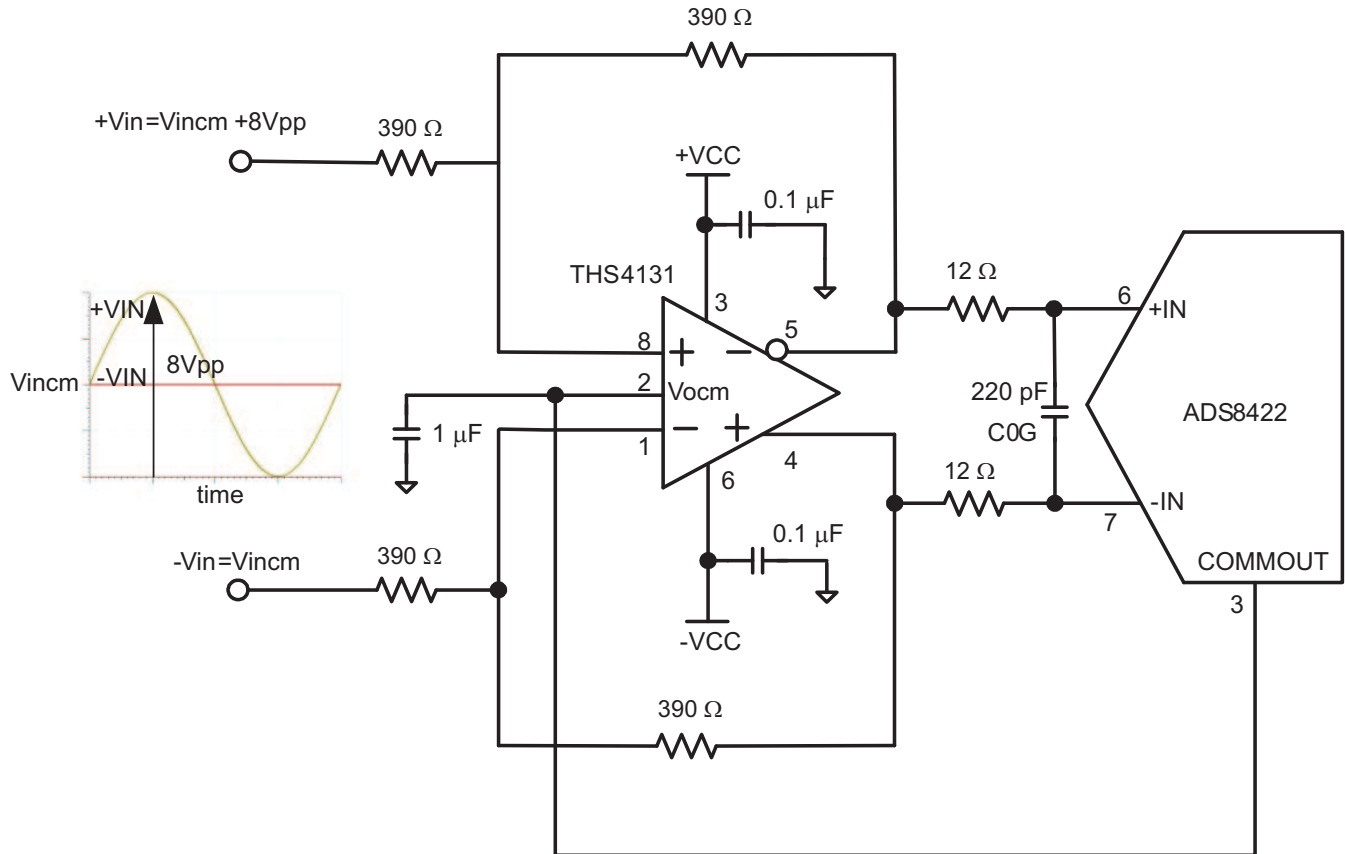
PRINCIPLES OF OPERATION (continued)



- A. Input common-mode voltage (V_{incm}) range is restricted by the amplifier. Refer to the amplifier data sheet for more information. Output common mode of the THS4131 is set by the voltage at pin 2. The COMMOUT pin of the ADS8422 is designed to source pin 2 of the THS4131. However to use this feature both the positive supply and negative supply rails must equal ($|-VCC| = |+VCC|$), absolutely.

Figure 29. Fully Differential Input Driver Circuit for Unipolar or Bipolar Signals

PRINCIPLES OF OPERATION (continued)



- A. Input common-mode voltage ($V_{in_{cm}}$) range is restricted by the amplifier. Refer to the amplifier data sheet for more information. Output common mode of the THS4131 is set by the voltage at pin 2. The COMMOUT pin of the ADS8422 is designed to source pin 2 of the THS4131. However to use this feature both the positive supply and negative supply rails must equal ($|-VCC| = |+VCC|$), absolutely.

Figure 30. Single-Ended Input Driving Circuit for When Input is Unipolar or Bipolar

PRINCIPLES OF OPERATION (continued)

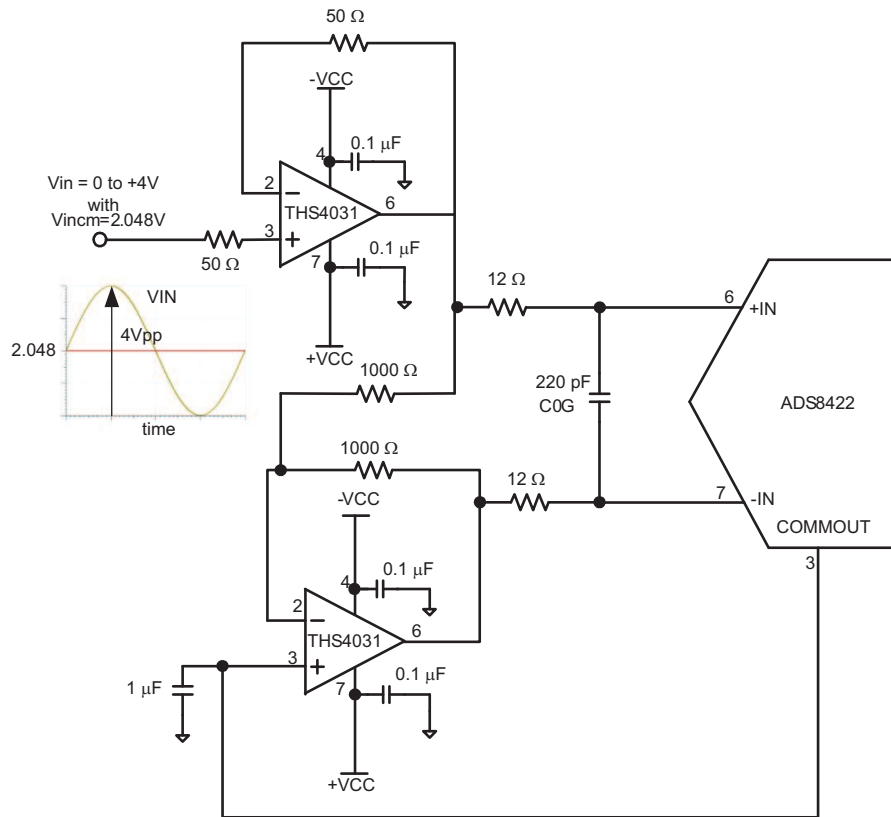
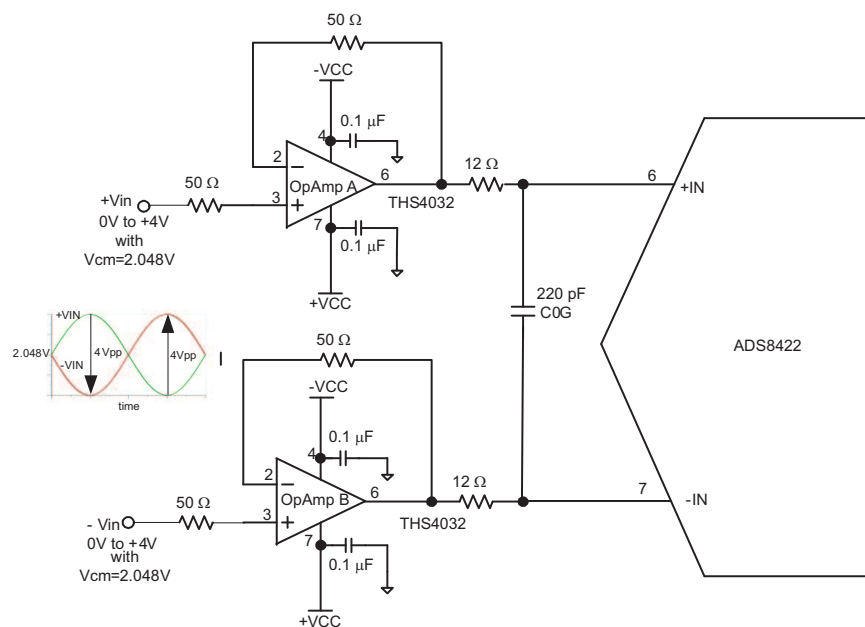


Figure 31. Single-Ended Driving Circuit for When Input is Single-Ended Unipolar and has Common-Mode of 2.048 V



A. This circuit is used to specify ADS8422 performance parameters listed in the data sheet.

Figure 32. Driver Circuit for When Input is Fully Differential Riding on Common-Mode of 2.048 V

PRINCIPLES OF OPERATION (continued)

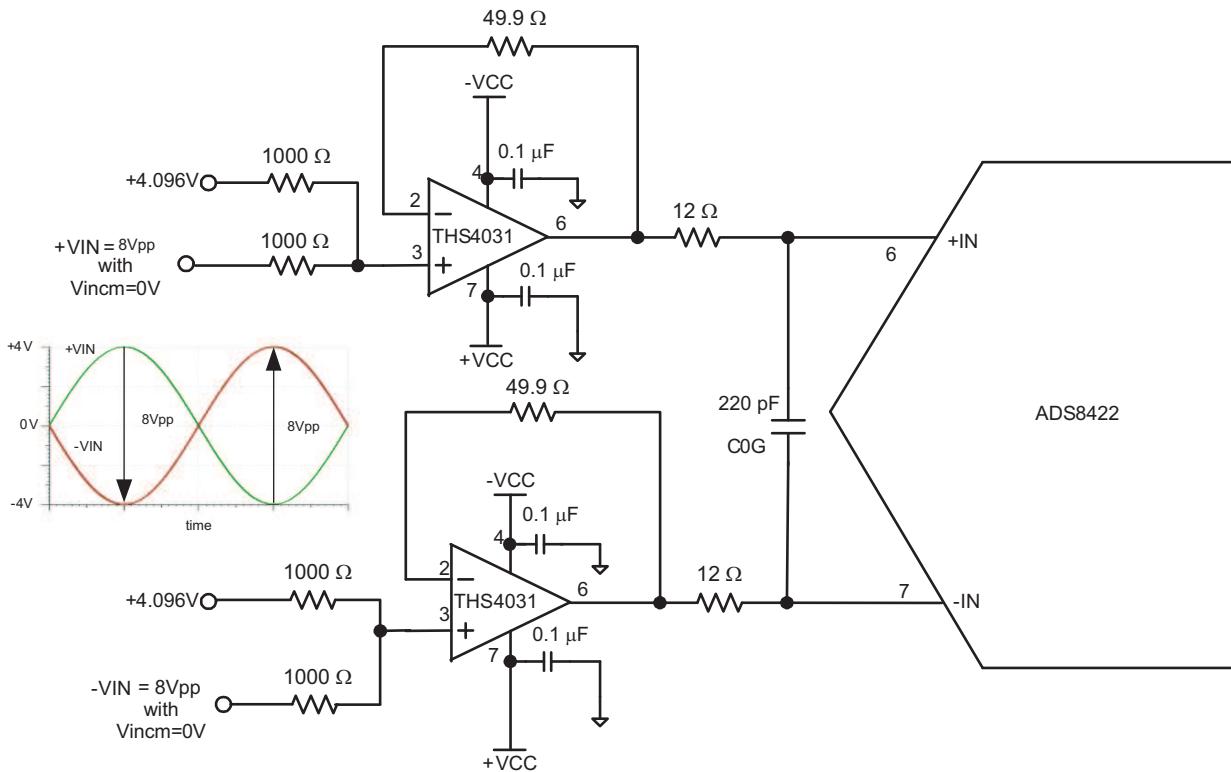


Figure 33. Driver Circuit for Bipolar Fully Differential Input Signals with 0-V Common-Mode

The input current on the analog inputs depends upon a number of factors: sample rate, input voltage, and source impedance. Essentially, the current into the ADS8422 charges the internal capacitor array during the sample period. After this capacitance has been fully charged, there is no further input current. The source of the analog input voltage must be able to charge the input capacitance (30 pF) to a 16-bit settling level within the 70 ns acquisition time of the device. When the converter goes into hold mode, the input impedance is greater than 1 GΩ.

Care must be taken regarding the absolute analog input voltage. To maintain the linearity of the converter, both -IN and +IN inputs should be within the limits specified. Outside of these ranges, the converter linearity may not meet specifications. To minimize noise, low bandwidth input signals with low pass filters should be used.

Care should be taken to ensure that the output impedances of the sources driving the +IN and -IN inputs are matched. If this is not observed, the two inputs could have different settling times. This may result in offset error, gain error, and linearity error which change with temperature and input voltage.

When the converter enters hold mode, the voltage difference between the +IN and -IN inputs is captured on the internal capacitor array.

DIGITAL INTERFACE

Timing and Control

See the timing diagrams for detailed information on timing signals and their requirements.

The ADS8422 uses an internal oscillator generated clock which controls the conversion rate and in turn the throughput of the converter. No external clock input is required.

PRINCIPLES OF OPERATION (continued)

Conversions are initiated by bringing the $\overline{\text{CONVST}}$ pin low for a minimum of 20 ns (after the 20 ns minimum requirement has been met, the $\overline{\text{CONVST}}$ pin can be brought high). The converter switches from sample to hold mode on the falling edge of the $\overline{\text{CONVST}}$ command. A clean and low jitter falling edge of this signal is important to the performance of the converter. The $\overline{\text{BUSY}}$ pin is brought high immediately following $\overline{\text{CONVST}}$ going low. $\overline{\text{BUSY}}$ stays high through the conversion process and returns low when the conversion has ended and data is available on the DB pins. Once the conversion is started, it cannot be stopped except with an asynchronous $\overline{\text{RESET}}$ (or a logical $\overline{\text{PD1}}$).

If $\overline{\text{CONVST}}$ is detected high at the end of conversion, the device immediately enters sampling mode and the analog input is connected to the CDAC. Otherwise, the CDAC is connected to the analog input only when $\overline{\text{CONVST}}$ goes high. The high duration of $\overline{\text{CONVST}}$ should be at least 100 ns. There is no maximum high pulse duration specification for $\overline{\text{CONVST}}$.

Reading Data

The ADS8422 outputs full parallel data in 2's complement format as shown in Table 1. The parallel output is active when $\overline{\text{CS}}$ and $\overline{\text{RD}}$ are both low. There is a minimal quiet zone requirement around the falling edge of $\overline{\text{CONVST}}$. This is 30 ns prior to the falling edge of $\overline{\text{CONVST}}$ and 10 ns after the falling edge. No data read should be attempted within this zone. Any other combination of $\overline{\text{CS}}$ and $\overline{\text{RD}}$ three-states the parallel output. $\overline{\text{BYTE}}$ is used for multi-word read operation. $\overline{\text{BYTE}}$ is used whenever lower bits on the bus are output on the higher byte of the bus. Refer to Table 1 for ideal output codes.

Table 1. Ideal Input Voltages and Output Codes

DESCRIPTION	ANALOG VALUE	DIGITAL OUTPUT 2'S COMPLIMENT	
		BINARY CODE	HEX CODE
Full scale range	$2V_{\text{ref}}$		
Least significant bit (LSB)	$2V_{\text{ref}}/65536$		
+Full scale	$(+V_{\text{ref}}) -$	0111 1111 1111 1111	7FFF
Midscale	0 V	0000 0000 0000 0000	0000
Midscale – 1 LSB	0 V –	1111 1111 1111 1111	FFFF
-Full scale	$-V_{\text{ref}}+$	1000 0000 0000 0000	8000

The output data can be read as a full 16-bit word on pins DB15 – DB0 (MSB-LSB) if $\overline{\text{BYTE}}$ is low.

The result may also be read on an 8-bit bus for convenience. This is done by using only pins DB15-DB8. In this case two reads are necessary: the first as before, leaving $\overline{\text{BYTE}}$ low and reading the 8 most significant bits on pins DB15-DB8, then bringing $\overline{\text{BYTE}}$ high. When $\overline{\text{BYTE}}$ is high, the low bits (D7-D0) appear on pins DB15-DB8.

These multi-word read operations can be performed with a multiple active (toggling) $\overline{\text{RD}}$ signal or with the $\overline{\text{RD}}$ signal tied low for simplicity.

Table 2. Conversion Data Read Out

BYTE	DATA READ OUT	
	PINS DB15–DB8	PINS DB7–DB0
High	D7 - D0	All One's
Low	D15 - D8	D7 - D0

RESET

$\overline{\text{RESET/PD1}}$ is an asynchronous active low input signal. Maximum $\overline{\text{RESET/PD1}}$ low time is 0.5 μs to avoid ADC powerdown. Current conversion is aborted no later than 20 ns after the converter is in reset mode. The converter returns to normal operation mode no later than 20 ns after the $\overline{\text{RESET/PD1}}$ input is brought high (see Figure 28).

The converter provides two power saving options: ADC powerdown (using pin 38, $\overline{\text{PD1}}$) and analog output powerdown ($\overline{\text{PD2}}$).

ADC powerdown is activated by asserting $\overline{\text{PD1}}$ to 0 for longer than 1.5 μs . If the signal $\overline{\text{PD1}}$ is asserted 0 for less than 0.5 μs , the ADC is only reset and any ongoing conversion aborted. See [Figure 26](#). ADC operation can be resumed from ADC powerdown by de-asserting the $\overline{\text{PD1}}$ pin. In ADC power-down mode, the analog outputs from the ADC (COMMOUT, REFOUT) are not powered down thereby reducing the power-on time.

Full chip power-down is activated by turning off the power supply or by asserting both, $\overline{\text{PD1}} = 0$ and $\overline{\text{PD2}} = 0$ for longer than 1.5 μs (see [Figure 27](#)). In this mode, even the analog outputs of the ADC (COMMOUT, REFOUT) are powered down thereby giving maximum power saving. Device operation can be resumed from full chip power-down by turning on the power supply or by deasserting both, $\overline{\text{PD1}} = 1$ and $\overline{\text{PD2}} = 1$.

Table 3. Effects of $\overline{\text{RESET}}$, $\overline{\text{PD1}}$, and $\overline{\text{PD2}}$

COMMAND	APPLICATION TIME	POWER WHEN APPLIED	RESUME TIME
$\overline{\text{RESET}}/\overline{\text{PD1}} = 0$	20 ns	No change	20 ns
$\overline{\text{PD1}} = 0, \overline{\text{PD2}} = 1$	1.5 μs	17mW	5 μs
$\overline{\text{PD1}} = \overline{\text{PD2}} = 0$	1.5 μs	40 μW	25 ms
$\overline{\text{PD1}} = 1, \overline{\text{PD2}} = 0$	Reserved – Do not use this combination		

LAYOUT

For optimum performance, care should be taken with the physical layout of the ADS8422 circuitry.

As the ADS8422 offers single-supply operation, it is often used in close proximity with digital logic, microcontrollers, microprocessors, and digital signal processors. The more digital logic present in the design and the higher the switching speed, the more difficult it is to achieve good performance from the converter.

The basic SAR architecture is sensitive to glitches or sudden changes on the power supply, reference, ground connections, and digital inputs that occur just prior to latching the output of the analog comparator. Thus, driving any single conversion for an n-clock SAR converter, there are n *windows* in which large external transient voltages can affect the conversion result. Such glitches might originate from switching power supplies, nearby digital logic, or high power devices. The 50 ns period before BUSY falls should be kept free of supply glitches.

The degree of error in the digital output depends on the reference voltage, layout, and the exact timing of the external event.

On average, the ADS8422 draws very little current from an external reference as the reference voltage is internally buffered. If the reference voltage is external and originates from an op amp, make sure that it can drive the bypass capacitor or capacitors without oscillation. A 0.1- μF bypass capacitor is recommended from pin 1 directly to REFM (pin 48). REFM and AGND should be shorted on the same ground plane underneath the device.

The AGND, BDGND, and AGND pins should be connected to a clean ground point. In all cases, this should be the *analog* ground. Avoid connections which are too close to the grounding point of a microcontroller or digital signal processor. If required, run a ground trace directly from the converter to the power supply entry point. The ideal layout consists of an analog ground plane dedicated to the converter and associated analog circuitry.

As with the AGND connections, +VA and +VAREG should be connected to their respective power supply planes or traces that are separate from the connection for digital logic, until they are connected at the power entry point. Power to the ADS8422 should be clean and well bypassed. A 0.1- μF ceramic bypass capacitor should be placed as close to the device as possible. See [Table 4](#) for capacitor placement. In addition, a 1- μF to 10- μF capacitor is recommended. In some situations, additional bypassing may be required, such as a 100- μF electrolytic capacitor or even a *Pi* filter made up of inductors and capacitors — all designed to essentially low-pass filter the +5-V supply, thus removing the high frequency noise.

Table 4. Power Supply Decoupling Capacitor Placement

POWER SUPPLY PLANE	CONVERTER ANALOG SIDE	CONVERTER DIGITAL SIDE
SUPPLY PINS		
Pin pairs that require shortest path to decoupling capacitors	(4,5), (9,8), (10,12), (13,15), (43,44), (46,45)	(24,25), (34,35)

PACKAGING INFORMATION

Orderable Device	Status ⁽¹⁾	Package Type	Package Drawing	Pins	Package Qty	Eco Plan ⁽²⁾	Lead/Ball Finish	MSL Peak Temp ⁽³⁾
ADS8422IBPFBR	ACTIVE	TQFP	PFB	48	1000	Green (RoHS & no Sb/Br)	CU NIPDAU	Level-2-260C-1 YEAR
ADS8422IBPFBRG4	ACTIVE	TQFP	PFB	48	1000	Green (RoHS & no Sb/Br)	CU NIPDAU	Level-2-260C-1 YEAR
ADS8422IBPFBT	ACTIVE	TQFP	PFB	48	250	Green (RoHS & no Sb/Br)	CU NIPDAU	Level-2-260C-1 YEAR
ADS8422IBPFBTG4	ACTIVE	TQFP	PFB	48	250	Green (RoHS & no Sb/Br)	CU NIPDAU	Level-2-260C-1 YEAR
ADS8422IPFBR	ACTIVE	TQFP	PFB	48	1000	Green (RoHS & no Sb/Br)	CU NIPDAU	Level-2-260C-1 YEAR
ADS8422IPFBRG4	ACTIVE	TQFP	PFB	48	1000	Green (RoHS & no Sb/Br)	CU NIPDAU	Level-2-260C-1 YEAR
ADS8422IPFBT	ACTIVE	TQFP	PFB	48	250	Green (RoHS & no Sb/Br)	CU NIPDAU	Level-2-260C-1 YEAR
ADS8422IPFBTG4	ACTIVE	TQFP	PFB	48	250	Green (RoHS & no Sb/Br)	CU NIPDAU	Level-2-260C-1 YEAR

⁽¹⁾ The marketing status values are defined as follows:

ACTIVE: Product device recommended for new designs.

LIFEBUY: TI has announced that the device will be discontinued, and a lifetime-buy period is in effect.

NRND: Not recommended for new designs. Device is in production to support existing customers, but TI does not recommend using this part in a new design.

PREVIEW: Device has been announced but is not in production. Samples may or may not be available.

OBSOLETE: TI has discontinued the production of the device.

⁽²⁾ Eco Plan - The planned eco-friendly classification: Pb-Free (RoHS), Pb-Free (RoHS Exempt), or Green (RoHS & no Sb/Br) - please check <http://www.ti.com/productcontent> for the latest availability information and additional product content details.

TBD: The Pb-Free/Green conversion plan has not been defined.

Pb-Free (RoHS): TI's terms "Lead-Free" or "Pb-Free" mean semiconductor products that are compatible with the current RoHS requirements for all 6 substances, including the requirement that lead not exceed 0.1% by weight in homogeneous materials. Where designed to be soldered at high temperatures, TI Pb-Free products are suitable for use in specified lead-free processes.

Pb-Free (RoHS Exempt): This component has a RoHS exemption for either 1) lead-based flip-chip solder bumps used between the die and package, or 2) lead-based die adhesive used between the die and leadframe. The component is otherwise considered Pb-Free (RoHS compatible) as defined above.

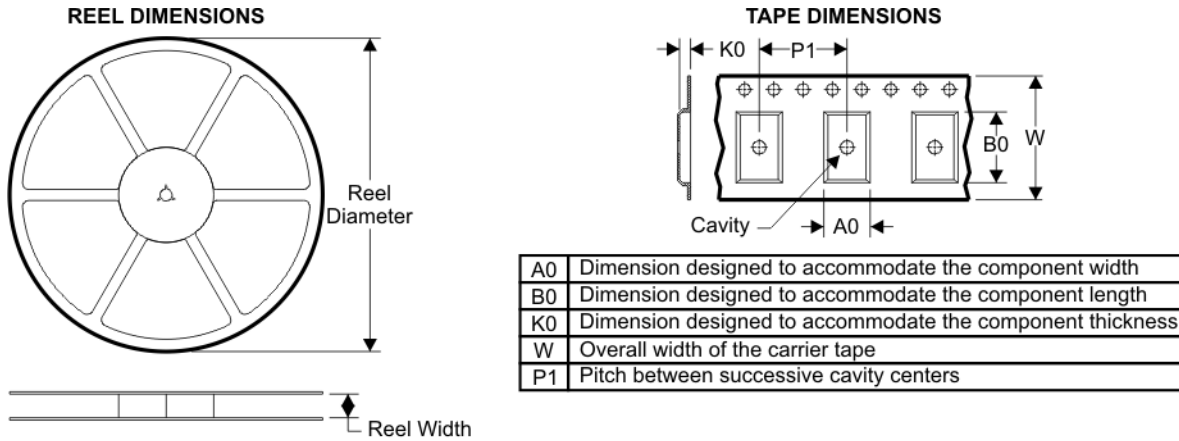
Green (RoHS & no Sb/Br): TI defines "Green" to mean Pb-Free (RoHS compatible), and free of Bromine (Br) and Antimony (Sb) based flame retardants (Br or Sb do not exceed 0.1% by weight in homogeneous material)

⁽³⁾ MSL, Peak Temp. -- The Moisture Sensitivity Level rating according to the JEDEC industry standard classifications, and peak solder temperature.

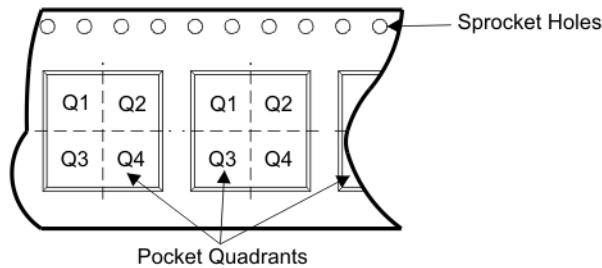
Important Information and Disclaimer:The information provided on this page represents TI's knowledge and belief as of the date that it is provided. TI bases its knowledge and belief on information provided by third parties, and makes no representation or warranty as to the accuracy of such information. Efforts are underway to better integrate information from third parties. TI has taken and continues to take reasonable steps to provide representative and accurate information but may not have conducted destructive testing or chemical analysis on incoming materials and chemicals. TI and TI suppliers consider certain information to be proprietary, and thus CAS numbers and other limited information may not be available for release.

In no event shall TI's liability arising out of such information exceed the total purchase price of the TI part(s) at issue in this document sold by TI to Customer on an annual basis.

TAPE AND REEL BOX INFORMATION

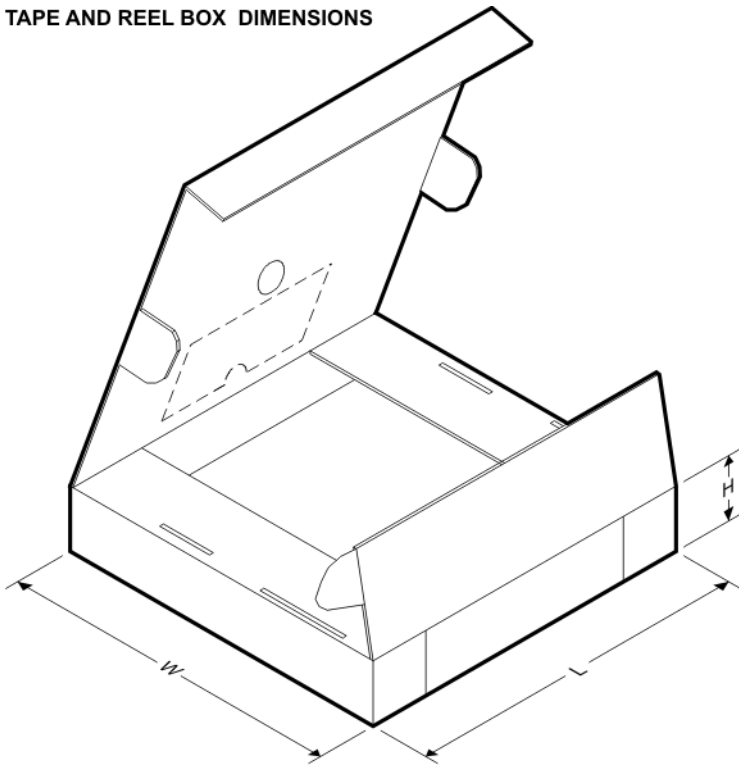


QUADRANT ASSIGNMENTS FOR PIN 1 ORIENTATION IN TAPE



Device	Package	Pins	Site	Reel Diameter (mm)	Reel Width (mm)	A0 (mm)	B0 (mm)	K0 (mm)	P1 (mm)	W (mm)	Pin1 Quadrant
ADS8422IBPFBR	PFB	48	SITE 60	330	16	9.6	9.6	1.5	12	16	Q2
ADS8422IBPFBT	PFB	48	SITE 60	330	16	9.6	9.6	1.5	12	16	Q2
ADS8422IPFBR	PFB	48	SITE 60	330	16	9.6	9.6	1.5	12	16	Q2
ADS8422IPFBT	PFB	48	SITE 60	330	16	9.6	9.6	1.5	12	16	Q2

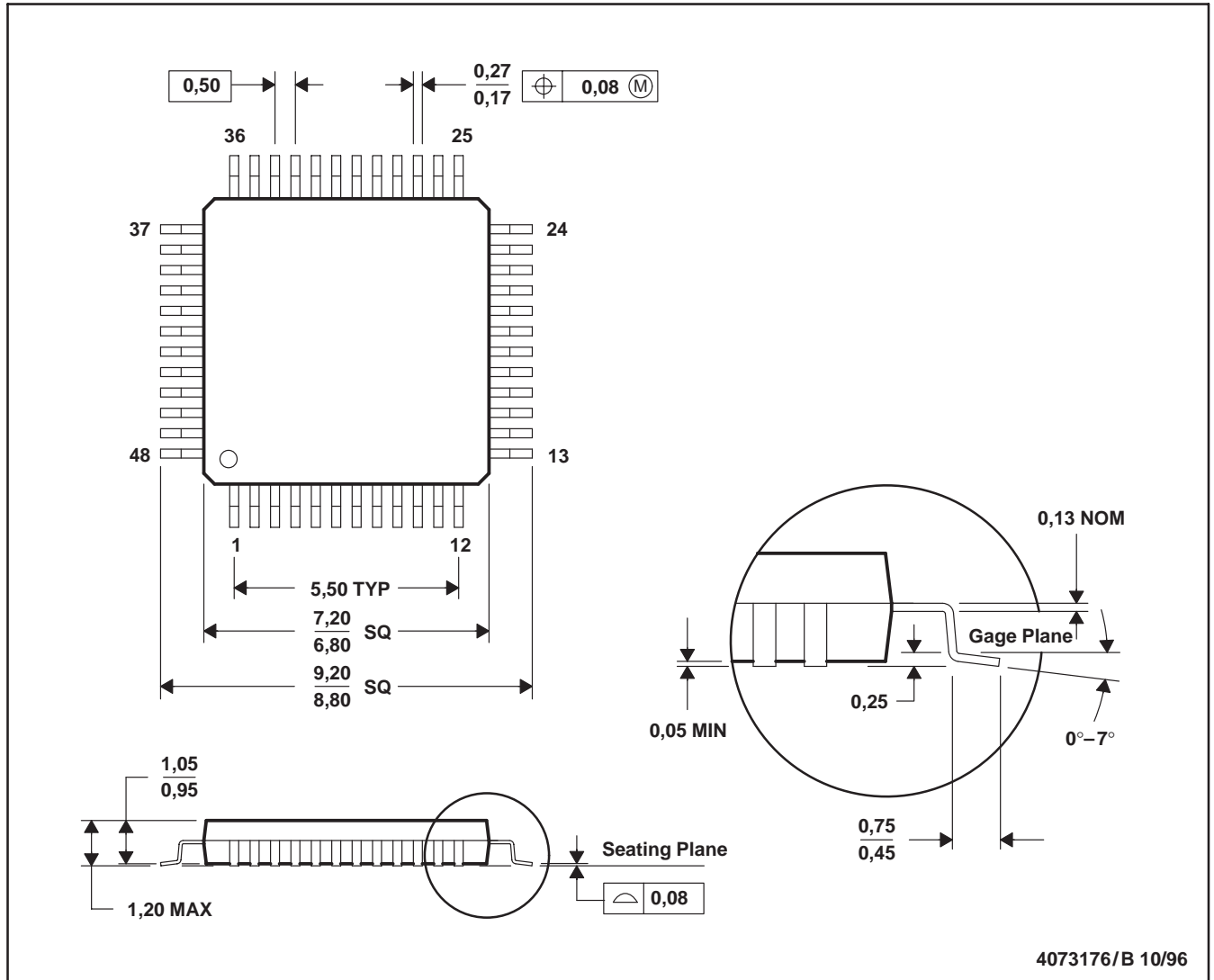
TAPE AND REEL BOX DIMENSIONS



Device	Package	Pins	Site	Length (mm)	Width (mm)	Height (mm)
ADS8422IBPFBR	PFB	48	SITE 60	346.0	346.0	33.0
ADS8422IBPFBT	PFB	48	SITE 60	346.0	346.0	33.0
ADS8422IPFBR	PFB	48	SITE 60	346.0	346.0	33.0
ADS8422IPFBT	PFB	48	SITE 60	346.0	346.0	33.0

PFB (S-PQFP-G48)

PLASTIC QUAD FLATPACK



- NOTES: A. All linear dimensions are in millimeters.
 B. This drawing is subject to change without notice.
 C. Falls within JEDEC MS-026

IMPORTANT NOTICE

Texas Instruments Incorporated and its subsidiaries (TI) reserve the right to make corrections, modifications, enhancements, improvements, and other changes to its products and services at any time and to discontinue any product or service without notice. Customers should obtain the latest relevant information before placing orders and should verify that such information is current and complete. All products are sold subject to TI's terms and conditions of sale supplied at the time of order acknowledgment.

TI warrants performance of its hardware products to the specifications applicable at the time of sale in accordance with TI's standard warranty. Testing and other quality control techniques are used to the extent TI deems necessary to support this warranty. Except where mandated by government requirements, testing of all parameters of each product is not necessarily performed.

TI assumes no liability for applications assistance or customer product design. Customers are responsible for their products and applications using TI components. To minimize the risks associated with customer products and applications, customers should provide adequate design and operating safeguards.

TI does not warrant or represent that any license, either express or implied, is granted under any TI patent right, copyright, mask work right, or other TI intellectual property right relating to any combination, machine, or process in which TI products or services are used. Information published by TI regarding third-party products or services does not constitute a license from TI to use such products or services or a warranty or endorsement thereof. Use of such information may require a license from a third party under the patents or other intellectual property of the third party, or a license from TI under the patents or other intellectual property of TI.

Reproduction of TI information in TI data books or data sheets is permissible only if reproduction is without alteration and is accompanied by all associated warranties, conditions, limitations, and notices. Reproduction of this information with alteration is an unfair and deceptive business practice. TI is not responsible or liable for such altered documentation. Information of third parties may be subject to additional restrictions.

Resale of TI products or services with statements different from or beyond the parameters stated by TI for that product or service voids all express and any implied warranties for the associated TI product or service and is an unfair and deceptive business practice. TI is not responsible or liable for any such statements.

TI products are not authorized for use in safety-critical applications (such as life support) where a failure of the TI product would reasonably be expected to cause severe personal injury or death, unless officers of the parties have executed an agreement specifically governing such use. Buyers represent that they have all necessary expertise in the safety and regulatory ramifications of their applications, and acknowledge and agree that they are solely responsible for all legal, regulatory and safety-related requirements concerning their products and any use of TI products in such safety-critical applications, notwithstanding any applications-related information or support that may be provided by TI. Further, Buyers must fully indemnify TI and its representatives against any damages arising out of the use of TI products in such safety-critical applications.

TI products are neither designed nor intended for use in military/aerospace applications or environments unless the TI products are specifically designated by TI as military-grade or "enhanced plastic." Only products designated by TI as military-grade meet military specifications. Buyers acknowledge and agree that any such use of TI products which TI has not designated as military-grade is solely at the Buyer's risk, and that they are solely responsible for compliance with all legal and regulatory requirements in connection with such use.

TI products are neither designed nor intended for use in automotive applications or environments unless the specific TI products are designated by TI as compliant with ISO/TS 16949 requirements. Buyers acknowledge and agree that, if they use any non-designated products in automotive applications, TI will not be responsible for any failure to meet such requirements.

Following are URLs where you can obtain information on other Texas Instruments products and application solutions:

Products		Applications	
Amplifiers	amplifier.ti.com	Audio	www.ti.com/audio
Data Converters	dataconverter.ti.com	Automotive	www.ti.com/automotive
DSP	dsp.ti.com	Broadband	www.ti.com/broadband
Interface	interface.ti.com	Digital Control	www.ti.com/digitalcontrol
Logic	logic.ti.com	Military	www.ti.com/military
Power Mgmt	power.ti.com	Optical Networking	www.ti.com/opticalnetwork
Microcontrollers	microcontroller.ti.com	Security	www.ti.com/security
RFID	www.ti-rfid.com	Telephony	www.ti.com/telephony
Low Power Wireless	www.ti.com/lpw	Video & Imaging	www.ti.com/video
		Wireless	www.ti.com/wireless

Mailing Address: Texas Instruments, Post Office Box 655303, Dallas, Texas 75265
Copyright © 2007, Texas Instruments Incorporated