

**Switches/Multiplexers**

[Analog Crosspoint Switches](#)

**[Analog Switches](#)**

[Digital Crosspoint Switches](#)

[Digital Switches](#)

[Multiplexers \(Muxes\)](#)

[RF Switches](#)

[All Product Categories](#)

[Design Center](#)

[Buy Online](#)

**AD7510 - DI CMOS Protected Analog Switches**

**Data Sheets**

- [Rev A](#), 04/2001 (pdf, 2561K)
- [Lead\(Pb\) - Free Data](#)

[Email PDF](#)  
([Data Sheet Help](#))

**Application Notes**

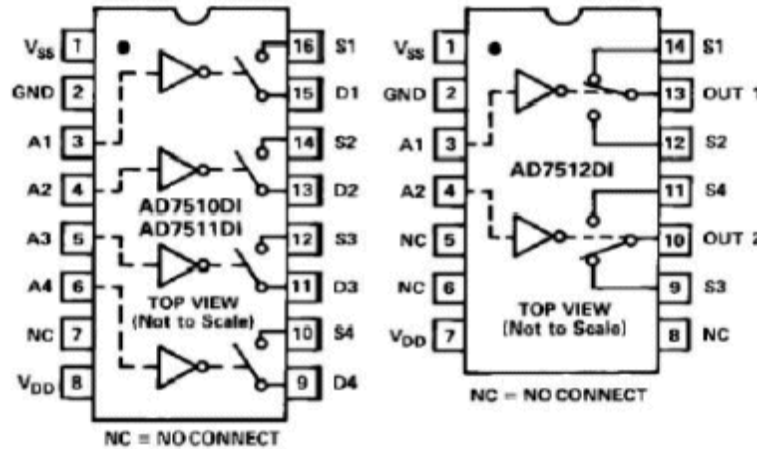
**Evaluation Boards**

**Product Description**

The AD7510DI, AD7511DI and AD7512DI are a family of latch proof dielectrically isolated CMOS switches featuring over-voltage protection up to  $\pm 25V$  above the power supplies. these benefits are...[More](#)

Specifications	
Switch Type	SPST
# Channels	4
Ron	75Ohms
Id, Is (ON)	10nA
Bandwidth	n/a
t ON	180ns
t OFF	350ns
Supply Voltage	Dual ( $\pm 15V$ )
Power Dissipation (Max)	24mW
<a href="#">Find Similar Products</a>	

**Functional Block Diagram**



[Symbols and Footprints](#)

**Features**

**New Analog Switches**

[ADG1312](#) -  $\pm 15 V / 12 V$  Quad SPST NC Switch

[ADG1313](#) -  $\pm 15 V / 12 V$  Quad SPST Switch

[ADG888](#) -  $0.5 \Omega$  1.8V to 5.5V CMOS Dual DPDT in WLCSP/ LFCSP Package

[ADG859](#) -  $1.3 \Omega$  CMOS, 1.8 V to 5.5 V Single SPDT Switch/2:1 MUX IN SOT-66 Package

[More...](#)

**Design Tools**

[Utilities and Conversions](#)

**Design Tools**

[Design Tools](#)

**Resources**

[Selection Tables](#)

[Solutions Bulletins](#)

[Learn More](#)

**Signal Chains**

[Interactive Signal Chains](#)

## AD7510 Model Options

<a href="#">Model</a>	<a href="#">Status</a>	<a href="#">Package</a>	<a href="#">Pins</a>	<a href="#">Temp Range</a>	<a href="#">Available</a>	<a href="#">RoHS Compliant</a>	<a href="#">Samples Cart</a>	<a href="#">Purchase Cart</a>
AD7510DIJCHIPS	Prodn	CHIPS OR DIE	-	Comm	10/28/2005		-	<a href="#">Add to Cart</a>
AD7510DIJN	Prodn	<a href="#">16 Id PDIP</a>	16	TBD	10/28/2005	N	-	<a href="#">Add to Cart</a>
AD7510DIJN/+	Obs	<a href="#">16 Id PDIP</a>	16	Comm	-	N	-	<a href="#">Contact ADI</a>
AD7510DIJNZ	Prodn	<a href="#">16 Id PDIP</a>	16	TBD	-	Y	-	<a href="#">Add to Cart</a>
AD7510DIJP	<a href="#">Contact ADI</a>	<a href="#">20 Id PLCC</a>	20	Comm	-	N	-	<a href="#">Contact ADI</a>
AD7510DIJQ	Prodn	<a href="#">16 Id CerDIP</a>	16	TBD	10/28/2005	N	-	<a href="#">Add to Cart</a>
AD7510DIJQ/+	Obs	<a href="#">16 Id CerDIP</a>	16	Comm	-	N	-	<a href="#">Contact ADI</a>
AD7510DIKN	Prodn	<a href="#">16 Id PDIP</a>	16	Comm	10/28/2005	N	-	<a href="#">Add to Cart</a>
AD7510DIKN/+	Obs	<a href="#">16 Id PDIP</a>	16	Comm	-	N	-	<a href="#">Contact ADI</a>
AD7510DIKNZ	Prodn	<a href="#">16 Id PDIP</a>	16		-	Y	-	<a href="#">Add to Cart</a>
AD7510DIKP	Prodn	<a href="#">20 Id PLCC</a>	20	Comm	10/28/2005	N	-	<a href="#">Add to Cart</a>
AD7510DIKP-REEL	Pre-Release	<a href="#">20 Id PLCC</a>	20		-	N	-	<a href="#">Contact ADI</a>
AD7510DIKPZ	Prodn	<a href="#">20 Id PLCC</a>	20		-	Y	-	<a href="#">Add to Cart</a>
AD7510DIKQ	Prodn	<a href="#">16 Id CerDIP</a>	16	Comm	10/28/2005	N	-	<a href="#">Add to Cart</a>
AD7510DIKQ/+	Obs	<a href="#">16 Id CerDIP</a>	16	Comm	-	N	-	<a href="#">Contact ADI</a>
AD7510DISCHIPS	Prodn	CHIPS OR DIE	-	Comm	-		-	<a href="#">Add to Cart</a>
AD7510DISE/883B	Prodn	<a href="#">20 Id LCC</a>	20		10/28/2005	N	-	<a href="#">Add to Cart</a>
AD7510DISQ	Prodn	<a href="#">16 Id CerDIP</a>	16		4/21/2006	N	-	<a href="#">Add to Cart</a>
AD7510DISQ/883B	Prodn	<a href="#">16 Id CerDIP</a>	16		11/25/2005	N	-	<a href="#">Add to Cart</a>

The USA list pricing shown is for BUDGETARY USE ONLY, shown in United States dollars (FOB USA per unit for the stated volume), and is subject to change. International prices may differ due to local duties, taxes, fees and exchange rates. For volume-specific price or delivery quotes, please contact your local Analog Devices, Inc. sales office or authorized distributor. Pricing displayed for Evaluation Boards and Kits is based on 1-piece pricing.



[View Sales and Distribution Offices](#)