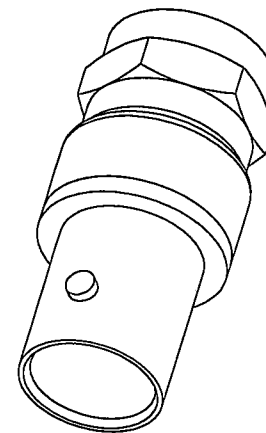
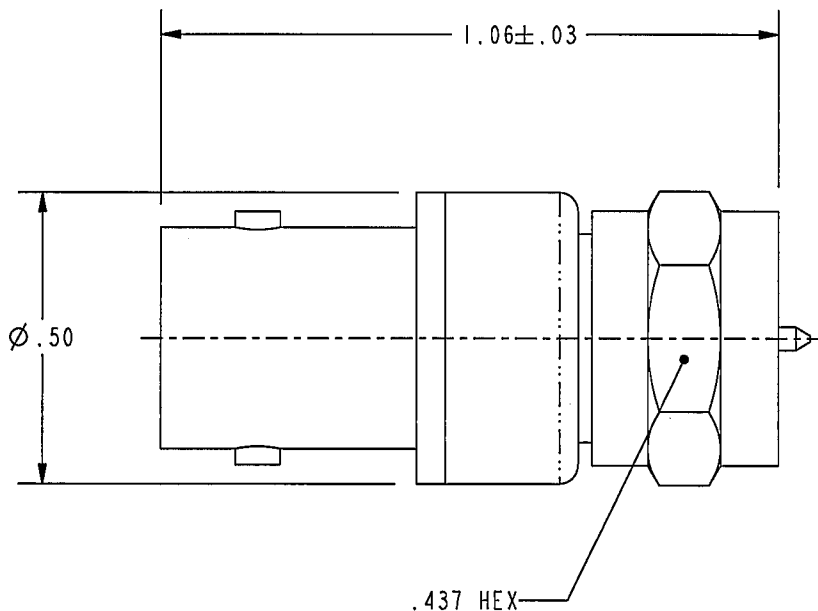
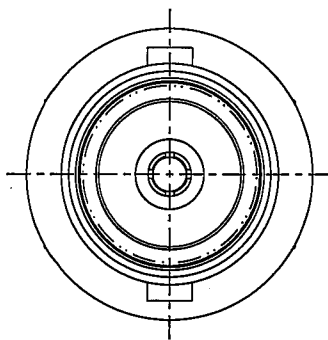


DATA CONTAINED IN THIS DOCUMENT IS PROPRIETARY TO TROMPETER ELECTRONICS INC. AND SHALL NOT BE DISCLOSED, COPIED OR USED FOR PROCUREMENT OR MANUFACTURE WITHOUT EXPRESS WRITTEN PERMISSION.

| REVISIONS | | | |
|-----------|-----------------------|--------|----------|
| REV | DESCRIPTIONS | DATE | APPROVED |
| B | REVISED PER ECO 14453 | 3-5-02 | MM |



SCALE 2/1

RED INDICATES ORIGINAL

OUTLINE DRAWING

2. FINISH
HOUSING: TFS-1A (NICKEL)
CONTACT: TFS-1B (GOLD)

1. BETWEEN SERIES 75Ω COAXIAL FEMALE BNC TO MALE 'F' ADAPTER

NOTES: UNLESS OTHERWISE SPECIFIED.

INTERPRET DRAWING PER MIL-STD-100. DIMENSIONS ARE IN INCHES AND INCLUDE FINISH THICKNESS UNLESS OTHERWISE SPECIFIED.

TOL: UNLESS SPECIFIED.
.XX ± .02
.XXX ± .010
ANGLE ± 1°



| | | | | |
|-----------|---------------|--------|------------------|--------------------|
| DRN | JCM | 3-1-02 | MATERIAL: | TITLE: |
| CHK | MM | 3-1-02 | FINISH: | BNC TO 'F' ADAPTER |
| QUALITY | JL | 3-5-02 | | |
| MANU | 30 | 3/5/02 | SEE NOTE 2 | SIZE |
| APPROVED | MM | 3/4/02 | | CAGE CODE |
| | | | | DRAWING NO. |
| | | | | REV. |
| NEXT ASSY | PROJ FILE NO. | 1-0612 | DO NOT SCALE DWG | SCALE |
| | | | | DATE |
| | | | | SHEET |

| | | | |
|-------|-----------|-------------|------|
| SIZE | CAGE CODE | DRAWING NO. | REV. |
| A | 14949 | AD1300 | B |
| SCALE | DATE | SHEET | OF |
| 3/1 | 11-6-01 | 1 | 1 |