

HIGH FREQUENCY CYLINDRICAL TYPE MICROPROCESSOR CRYSTAL

AB308

AB308



RoHS
Compliant

8.5 x Ø3.0mm

Moisture Sensitivity Level (MSL) – This product is Hermetically Sealed and not Moisture Sensitive - MSL = N/A: Not Applicable

FEATURES:

- High stability by tight vacuum sealing
- Excellent resistant to vibration and shock
- Miniature high frequency cylinder type crystal

APPLICATIONS:

- Suitable for wide range of application
- Clocks for microprocessor
- Consumer electronics
- Test equipment
- Computer peripherals

STANDARD SPECIFICATIONS:

Parameters	Minimum	Typical	Maximum	Units	Notes
Frequency Range	4.001	-----	26.999	MHz	Fundamental (std.)
	27.000	-----	70.000		3 rd Overtone (std.)
	27.000	-----	34.000		Fundamental (see options)
Operation Mode	Fundamental or 3 rd Overtone				
Operating Temperature	-10	-----	+60	°C	See options
Storage Temperature	-40	-----	+85	°C	
Frequency Tolerance @+25°C	-30	-----	+30	ppm	See options
Frequency Stability over the Operating Temperature (ref. to +25°C)	-50	-----	+50	ppm	See options
Equivalent series resistance (R1)	-----	-----	150	Ω	4.001 – 5.999MHz Fundamental
	-----	-----	100		6.000 – 9.999MHz Fundamental
	-----	-----	50		10.000 – 26.999MHz Fundamental
	-----	-----	50		27.000 – 34.000 MHz Fundamental
	-----	-----	100		27.000 – 36.000 MHz 3 rd OT
	-----	-----	80		36.001 – 70.000 MHz 3 rd OT
Shunt capacitance (C0)	-----	-----	5	pF	
Load capacitance (CL)	-----	16	-----	pF	16 and 18pF nominal CL (See options)
Drive Level	-----	-----	100	μW	
Aging@25°C±3°C	-5	-----	+5	ppm	First year
Insulation Resistance	500	-----	-----	M Ω	@ 100Vdc ± 15V



HIGH FREQUENCY CYLINDRICAL TYPE MICROPROCESSOR CRYSTAL

AB308

AB308



RoHS
Compliant

8.5 x Ø3.0mm

➤ OPTIONS AND PART IDENTIFICATION: (Left blank if standard)

AB308 - [] MHz - [] - [] - [] - [] - []

Frequency in MHz
Please specify the frequency in MHz.
e.g. 14.31818MHz

Mode
F: Fund. For
27MHz ~ 34MHz

Load Capacitance (pF)
Please specify CL in pF or S for series (10pF min.)
Please contact Abracon for values under 10pF

Freq. Stability
Blank: ± 50 ppm
Y**: ± 30 ppm

Custom ESR if other than STD
 R
: Specify a value in Ω (e.g.: R40)

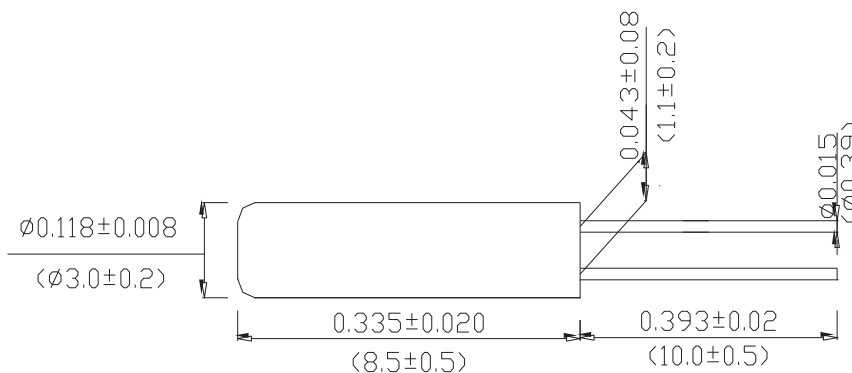
Operating Temp.
Blank: -10°C ~ +60°C
E: 0°C ~ +70°C
B*: -20°C ~ +70°C
D*: -40°C ~ +85°C

Freq. Tolerance
Blank: ± 30 ppm
5: ± 50 ppm

* Frequency stability: ± 50 ppm only

**Standard Temperature -10°C ~ +60°C, F ≥ 6MHz only

➤ OUTLINE DRAWING:



Dimensions: inches (mm)

ATTENTION: Abracon Corporation's products are COTS – Commercial-Off-The-Shelf products; suitable for Commercial, Industrial and, where designated, Automotive Applications. Abracon's products are not specifically designed for Military, Aviation, Aerospace, Life-dependant Medical applications or any application requiring high reliability where component failure could result in loss of life and/or property. For applications requiring high reliability and/or presenting an extreme operating environment, written consent and authorization from Abracon Corporation is required. Please contact Abracon Corporation for more information.

ABRACON IS
ISO 9001:2008
CERTIFIED



ABRACON
CORPORATION

Visit www.abracon.com for Terms & Conditions of Sale **Revised: 06.14.12**
30332 Esperanza, Rancho Santa Margarita, California 92688
tel 949-546-8000 | fax 949-546-8001 | www.abracon.com