

# SN54ALS109A, SN54AS109A, SN74ALS109A, SN74AS109A DUAL J-K POSITIVE-EDGE-TRIGGERED FLIP-FLOPS WITH CLEAR AND PRESET

SDAS198B – APRIL 1982 – REVISED AUGUST 1995

- Package Options Include Plastic Small-Outline (D) Packages, Ceramic Chip Carriers (FK), and Standard Plastic (N) and Ceramic (J) 300-mil DIPs

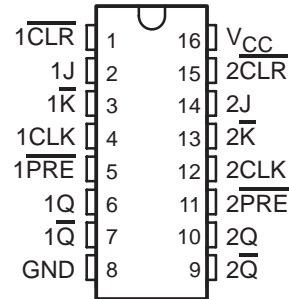
| TYPE     | TYPICAL MAXIMUM CLOCK FREQUENCY (MHz) | TYPICAL POWER DISSIPATION PER FLIP-FLOP (mW) |
|----------|---------------------------------------|--|
| 'ALS109A | 50                                    | 6  |
| 'AS109A  | 129                                   | 29   |

## description

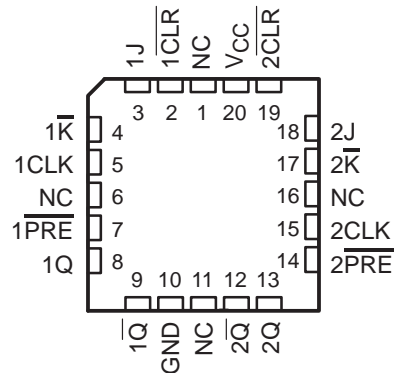
These devices contain two independent J-K positive-edge-triggered flip-flops. A low level at the preset ( $\overline{\text{PRE}}$ ) or clear ( $\overline{\text{CLR}}$ ) inputs sets or resets the outputs regardless of the levels of the other inputs. When  $\overline{\text{PRE}}$  and  $\overline{\text{CLR}}$  are inactive (high), data at the J and  $\overline{\text{K}}$  inputs meeting the setup-time requirements are transferred to the outputs on the positive-going edge of the clock (CLK) pulse. Clock triggering occurs at a voltage level and is not directly related to the rise time of the clock pulse. Following the hold-time interval, data at the J and  $\overline{\text{K}}$  inputs can be changed without affecting the levels at the outputs. These versatile flip-flops can perform as toggle flip-flops by grounding  $\overline{\text{K}}$  and tying J high. They also can perform as D-type flip-flops if J and  $\overline{\text{K}}$  are tied together.

The SN54ALS109A and SN54AS109A are characterized for operation over the full military temperature range of  $-55^{\circ}\text{C}$  to  $125^{\circ}\text{C}$ . The SN74ALS109A and SN74AS109A are characterized for operation from  $0^{\circ}\text{C}$  to  $70^{\circ}\text{C}$ .

SN54ALS109A, SN54AS109A . . . J PACKAGE  
SN74ALS109A, SN74AS109A . . . D OR N PACKAGE  
(TOP VIEW)



SN54ALS109A, SN54AS109A . . . FK PACKAGE  
(TOP VIEW)



NC – No internal connection

FUNCTION TABLE

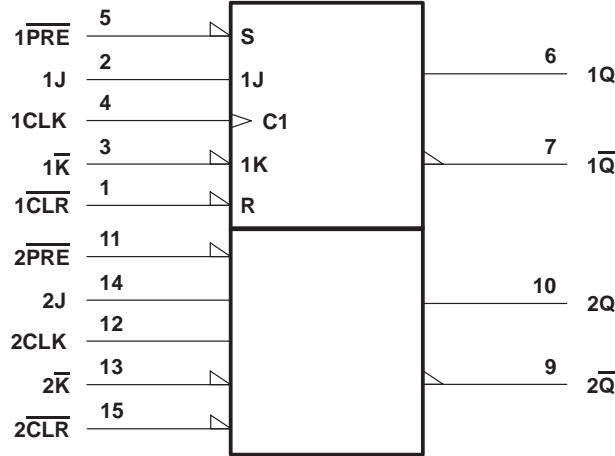
| INPUTS                  |                         |     |   |                       | OUTPUTS        |                         |
|-------------------------|-------------------------|-----|---|-----------------------|----------------|-------------------------|
| $\overline{\text{PRE}}$ | $\overline{\text{CLR}}$ | CLK | J | $\overline{\text{K}}$ | Q              | $\overline{\text{Q}}$   |
| L                       | H                       | X   | X | X                     | H              | L                       |
| H                       | L                       | X   | X | X                     | L              | H                       |
| L                       | L                       | X   | X | X                     | H <sup>†</sup> | H <sup>†</sup>          |
| H                       | H                       | ↑   | L | L                     | L              | H                       |
| H                       | H                       | ↑   | H | L                     | Toggle         |                         |
| H                       | H                       | ↑   | L | H                     | Q0             | $\overline{\text{Q}}_0$ |
| H                       | H                       | ↑   | H | H                     | H              | L                       |
| H                       | H                       | L   | X | X                     | Q0             | $\overline{\text{Q}}_0$ |

<sup>†</sup> The output levels in this configuration are not specified to meet the minimum levels for  $V_{OH}$  if the lows at  $\overline{\text{PRE}}$  and  $\overline{\text{CLR}}$  are near  $V_{IL}$  maximum. Furthermore, this configuration is nonstable; that is, it does not persist when either  $\overline{\text{PRE}}$  or  $\overline{\text{CLR}}$  returns to its inactive (high) level.

# SN54ALS109A, SN54AS109A, SN74ALS109A, SN74AS109A DUAL J-K POSITIVE-EDGE-TRIGGERED FLIP-FLOPS WITH CLEAR AND PRESET

SDAS198B – APRIL 1982 – REVISED AUGUST 1995

## logic symbol†



† This symbol is in accordance with ANSI/IEEE Std 91-1984 and IEC Publication 617-12.  
Pin numbers shown are for the D, J, and N packages.

## absolute maximum ratings over operating free-air temperature range (unless otherwise noted)‡

|   |                |
|---|----------------|
| Supply voltage, $V_{CC}$                                  | 7 V            |
| Input voltage, $V_I$                                      | 7 V            |
| Operating free-air temperature range, $T_A$ : SN54ALS109A | -55°C to 125°C |
| SN74ALS109A   | 0°C to 70°C    |
| Storage temperature range                                 | -65°C to 150°C |

‡ Stresses beyond those listed under “absolute maximum ratings” may cause permanent damage to the device. These are stress ratings only, and functional operation of the device at these or any other conditions beyond those indicated under “recommended operating conditions” is not implied. Exposure to absolute-maximum-rated conditions for extended periods may affect device reliability.

## recommended operating conditions

|             |                                | SN54ALS109A         |     |      | SN74ALS109A |      |      | UNIT |    |    |
|-------------|--------------------------------|---------------------|-----|------|-------------|------|------|------|----|----|
|             |                                | MIN                 | NOM | MAX  | MIN         | NOM  | MAX  |      |    |    |
| $V_{CC}$    | Supply voltage                 | 4.5                 | 5   | 5.5  | 4.5         | 5    | 5.5  | V    |    |    |
| $V_{IH}$    | High-level input voltage       | 2                   |     |      | 2           |      |      | V    |    |    |
| $V_{IL}$    | Low-level input voltage        |                     |     | 0.7  |             |      | 0.8  | V    |    |    |
| $I_{OH}$    | High-level output current      |                     |     | -0.4 |             |      | -0.4 | mA   |    |    |
| $I_{OL}$    | Low-level output current       |                     |     | 4    |             |      | 8    | mA   |    |    |
| $f_{clock}$ | Clock frequency                | 0                   |     | 30   | 0           |      | 34   | MHz  |    |    |
| $t_w$       | Pulse duration                 | PRE or CLR low      |     | 15   |             |      | 15   | ns   |    |    |
|             |                                | CLK high            |     | 16.5 |             | 14.5 |      |      |    |    |
|             |                                | CLK low             |     | 16.5 |             | 14.5 |      |      |    |    |
| $t_{su}$    | Setup time before CLK↑         | Data                |     | 15   |             | 15   | ns   |      |    |    |
|             |                                | PRE or CLR inactive |     | 10   |             | 10   |      |      |    |    |
| $t_h$       | Hold time after CLK↑           | Data                |     | 0    |             | 0    | ns   |      |    |    |
| $T_A$       | Operating free-air temperature |                     |     | -55  |             | 125  |      | 0    | 70 | °C |



# SN54ALS109A, SN54AS109A, SN74ALS109A, SN74AS109A DUAL J-K POSITIVE-EDGE-TRIGGERED FLIP-FLOPS WITH CLEAR AND PRESET

SDAS198B – APRIL 1982 – REVISED AUGUST 1995

electrical characteristics over recommended operating free-air temperature range (unless otherwise noted)

| PARAMETER       | TEST CONDITIONS   | SN54ALS109A                          |      | SN74ALS109A |            | UNIT |      |               |
|-----------------|---|--------------------------------------|------|-------------|------------|------|------|---------------|
|                 |   | MIN                                  | TYP† | MAX         | MIN        |      | TYP† | MAX           |
| $V_{IK}$        | $V_{CC} = 4.5\text{ V}$ ,<br>$I_I = -18\text{ mA}$                      |                                      |      | -1.5        |            | -1.5 | V    |               |
| $V_{OH}$        | $V_{CC} = 4.5\text{ V to } 5.5\text{ V}$ ,<br>$I_{OH} = -0.4\text{ mA}$ | $V_{CC}-2$                           |      |             | $V_{CC}-2$ |      | V    |               |
| $V_{OL}$        | $V_{CC} = 4.5\text{ V}$   |                                      |      | 0.25        | 0.4        | 0.25 | 0.4  | V             |
|                 |   |                                      |      |             |            | 0.35 | 0.5  |               |
| $I_I$           | $V_{CC} = 5.5\text{ V}$ ,<br>$V_I = 7\text{ V}$                         | CLK, J, or $\overline{K}$            |      |             |            | 0.1  | 0.1  | mA            |
|                 |   | $\overline{PRE}$ or $\overline{CLR}$ |      |             |            | 0.2  | 0.2  |               |
| $I_{IH}$        | $V_{CC} = 5.5\text{ V}$ ,<br>$V_I = 2.7\text{ V}$                       | CLK, J, or $\overline{K}$            |      |             |            | 20   | 20   | $\mu\text{A}$ |
|                 |   | $\overline{PRE}$ or $\overline{CLR}$ |      |             |            | 40   | 40   |               |
| $I_{IL}$        | $V_{CC} = 5.5\text{ V}$ ,<br>$V_I = 0.4\text{ V}$                       | CLK, J, or $\overline{K}$            |      |             |            | -0.2 | -0.2 | mA            |
|                 |   | $\overline{PRE}$ or $\overline{CLR}$ |      |             |            | -0.4 | -0.4 |               |
| $I_{O\ddagger}$ | $V_{CC} = 5.5\text{ V}$ ,<br>$V_O = 2.25\text{ V}$                      | -20                                  |      | -112        | -30        |      | -112 | mA            |
| $I_{CC}$        | $V_{CC} = 5.5\text{ V}$ ,<br>See Note 1                                 |                                      | 2.4  | 4           |            | 2.4  | 4    | mA            |

† All typical values are at  $V_{CC} = 5\text{ V}$ ,  $T_A = 25^\circ\text{C}$ .

‡ The output conditions have been chosen to produce a current that closely approximates one half of the true short-circuit output current,  $I_{OS}$ .

NOTE 1:  $I_{CC}$  is measured with J,  $\overline{K}$ , CLK, and  $\overline{PRE}$  grounded, then with J, K, CLK, and  $\overline{CLR}$  grounded.

## switching characteristics (see Figure 1)

| PARAMETER        | FROM (INPUT)                         | TO (OUTPUT)         | $V_{CC} = 4.5\text{ V to } 5.5\text{ V}$ ,<br>$C_L = 50\text{ pF}$ ,<br>$R_L = 500\ \Omega$ ,<br>$T_A = \text{MIN to MAX}\S$ |     |             |     | UNIT |
|------------------|--------------------------------------|---------------------|--|-----|-------------|-----|------|
|                  |                                      |                     | SN54ALS109A  |     | SN74ALS109A |     |      |
|                  |                                      |                     | MIN  | MAX | MIN         | MAX |      |
| $f_{\text{max}}$ |                                      |                     | 30   |     | 34          |     | MHz  |
| $t_{\text{PLH}}$ | $\overline{PRE}$ or $\overline{CLR}$ | Q or $\overline{Q}$ | 3  | 17  | 3           | 13  | ns   |
| $t_{\text{PHL}}$ |                                      |                     | 5  | 17  | 5           | 15  |      |
| $t_{\text{PLH}}$ | CLK                                  | Q or $\overline{Q}$ | 5  | 21  | 5           | 16  | ns   |
| $t_{\text{PHL}}$ |                                      |                     | 5  | 20  | 5           | 18  |      |

§ For conditions shown as MIN or MAX, use the appropriate value specified under recommended operating conditions.



# SN54ALS109A, SN54AS109A, SN74ALS109A, SN74AS109A DUAL J-K POSITIVE-EDGE-TRIGGERED FLIP-FLOPS WITH CLEAR AND PRESET

SDAS198B – APRIL 1982 – REVISED AUGUST 1995

## absolute maximum ratings over operating free-air temperature range (unless otherwise noted)†

|  |                |
|--|----------------|
| Supply voltage, $V_{CC}$                                 | 7 V            |
| Input voltage, $V_I$                                     | 7 V            |
| Operating free-air temperature range, $T_A$ : SN54AS109A | -55°C to 125°C |
| SN74AS109A   | 0°C to 70°C    |
| Storage temperature range                                | -65°C to 150°C |

† Stresses beyond those listed under “absolute maximum ratings” may cause permanent damage to the device. These are stress ratings only, and functional operation of the device at these or any other conditions beyond those indicated under “recommended operating conditions” is not implied. Exposure to absolute-maximum-rated conditions for extended periods may affect device reliability.

## recommended operating conditions

|                                      | SN54AS109A                                    |     |     | SN74AS109A |     |     | UNIT |
|--------------------------------------|---|-----|-----|------------|-----|-----|------|
|                                      | MIN   | NOM | MAX | MIN        | NOM | MAX |      |
| $V_{CC}$ Supply voltage              | 4.5   | 5   | 5.5 | 4.5        | 5   | 5.5 | V    |
| $V_{IH}$ High-level input voltage    | 2   |     |     | 2          |     |     | V    |
| $V_{IL}$ Low-level input voltage     |   |     | 0.8 |            |     | 0.8 | V    |
| $I_{OH}$ High-level output current   |   |     | -2  |            |     | -2  | mA   |
| $I_{OL}$ Low-level output current    |   |     | 20  |            |     | 20  | mA   |
| $f_{clock}^*$ Clock frequency        | 0   |     | 90  | 0          |     | 105 | MHz  |
| $t_w^*$ Pulse duration               | $\overline{PRE}$ or $\overline{CLR}$ low      |     | 4   | 4          |     | ns  |      |
|                                      | CLK high                                      |     | 4   | 4          |     |     |      |
|                                      | CLK low                                       |     | 5.5 | 5.5        |     |     |      |
| $t_{su}^*$ Setup time before CLK↑    | Data  |     | 5.5 | 5.5        |     | ns  |      |
|                                      | $\overline{PRE}$ or $\overline{CLR}$ inactive |     | 2   | 2          |     |     |      |
| $t_h^*$ Hold time after CLK↑         | Data  |     | 0   | 0          |     | ns  |      |
| $T_A$ Operating free-air temperature | -55   |     | 125 | 0          |     | 70  | °C   |

\* On products compliant to MIL-STD-883, Class B, this parameter is based on characterization data but is not production tested.

## electrical characteristics over recommended operating free-air temperature range (unless otherwise noted)

| PARAMETER    | TEST CONDITIONS                                   | SN54AS109A                          |      |      | SN74AS109A |      |      | UNIT    |
|--------------|---|-------------------------------------|------|------|------------|------|------|---------|
|              |   | MIN                                 | TYP‡ | MAX  | MIN        | TYP‡ | MAX  |         |
| $V_{IK}$     | $V_{CC} = 4.5 V$ ,<br>$I_I = -18 mA$              |                                     |      | -1.2 |            |      | -1.2 | V       |
| $V_{OH}$     | $V_{CC} = 4.5 V$ to $5.5 V$ ,<br>$I_{OH} = -2 mA$ | $V_{CC}-2$                          |      |      | $V_{CC}-2$ |      |      | V       |
| $V_{OL}$     | $V_{CC} = 4.5 V$ ,<br>$I_{OL} = 20 mA$            |                                     | 0.25 | 0.5  |            | 0.25 | 0.5  | V       |
| $I_I$        | $V_{CC} = 5.5 V$ ,<br>$V_I = 7 V$                 |                                     |      | 0.1  |            |      | 0.1  | mA      |
| $I_{IH}$     | CLK, J, or $\overline{K}$                         |                                     |      | 20   |            |      | 20   | $\mu A$ |
|              | $\overline{PRE}$ or $\overline{CLR}$              | $V_{CC} = 5.5 V$ ,<br>$V_I = 2.7 V$ |      | 40   |            |      | 40   |         |
| $I_{IL}$     | CLK, J, or $\overline{K}$                         |                                     |      | -0.5 |            |      | -0.5 | mA      |
|              | $\overline{PRE}$ or $\overline{CLR}$              | $V_{CC} = 5.5 V$ ,<br>$V_I = 0.4 V$ |      | -1.8 |            |      | -1.8 |         |
| $I_{O}^{\S}$ | $V_{CC} = 5.5 V$ ,<br>$V_O = 2.25 V$              | -30                                 |      | -112 | -30        |      | -112 | mA      |
| $I_{CC}$     | $V_{CC} = 5.5 V$ ,<br>See Note 1                  |                                     | 11.5 | 17   |            | 11.5 | 17   | mA      |

‡ All typical values are at  $V_{CC} = 5 V$ ,  $T_A = 25^\circ C$ .

§ The output conditions have been chosen to produce a current that closely approximates one half of the true short-circuit output current,  $I_{OS}$ .

NOTE 1:  $I_{CC}$  is measured with J, K, CLK, and PRE grounded, then with J, K, CLK, and CLR grounded.



**SN54ALS109A, SN54AS109A, SN74ALS109A, SN74AS109A**  
**DUAL J-K POSITIVE-EDGE-TRIGGERED FLIP-FLOPS**  
**WITH CLEAR AND PRESET**

SDAS198B – APRIL 1982 – REVISED AUGUST 1995

**switching characteristics (see Figure 1)**

| PARAMETER          | FROM<br>(INPUT)                                    | TO<br>(OUTPUT)             | V <sub>CC</sub> = 4.5 V to 5.5 V,<br>C <sub>L</sub> = 50 pF,<br>R <sub>L</sub> = 500 Ω,<br>T <sub>A</sub> = MIN to MAX† |      |            |      | UNIT |
|--------------------|--|----------------------------|---|------|------------|------|------|
|                    |  |                            | SN54AS109A  |      | SN74AS109A |      |      |
|                    |  |                            | MIN   | MAX  | MIN        | MAX  |      |
| f <sub>max</sub> * |  |                            | 90  |      | 105        |      | MHz  |
| t <sub>PLH</sub>   | $\overline{\text{PRE}}$ or $\overline{\text{CLR}}$ | Q or $\overline{\text{Q}}$ | 2   | 9    | 2          | 8    | ns   |
| t <sub>PHL</sub>   |  |                            | 3.5   | 11.5 | 3.5        | 10.5 |      |
| t <sub>PLH</sub>   | CLK  | Q or $\overline{\text{Q}}$ | 2.5   | 10   | 2.5        | 9    | ns   |
| t <sub>PHL</sub>   |  |                            | 3.5   | 10.5 | 3.5        | 9    |      |

\* On products compliant to MIL-STD-883, Class B, this parameter is based on characterization data but is not production tested.

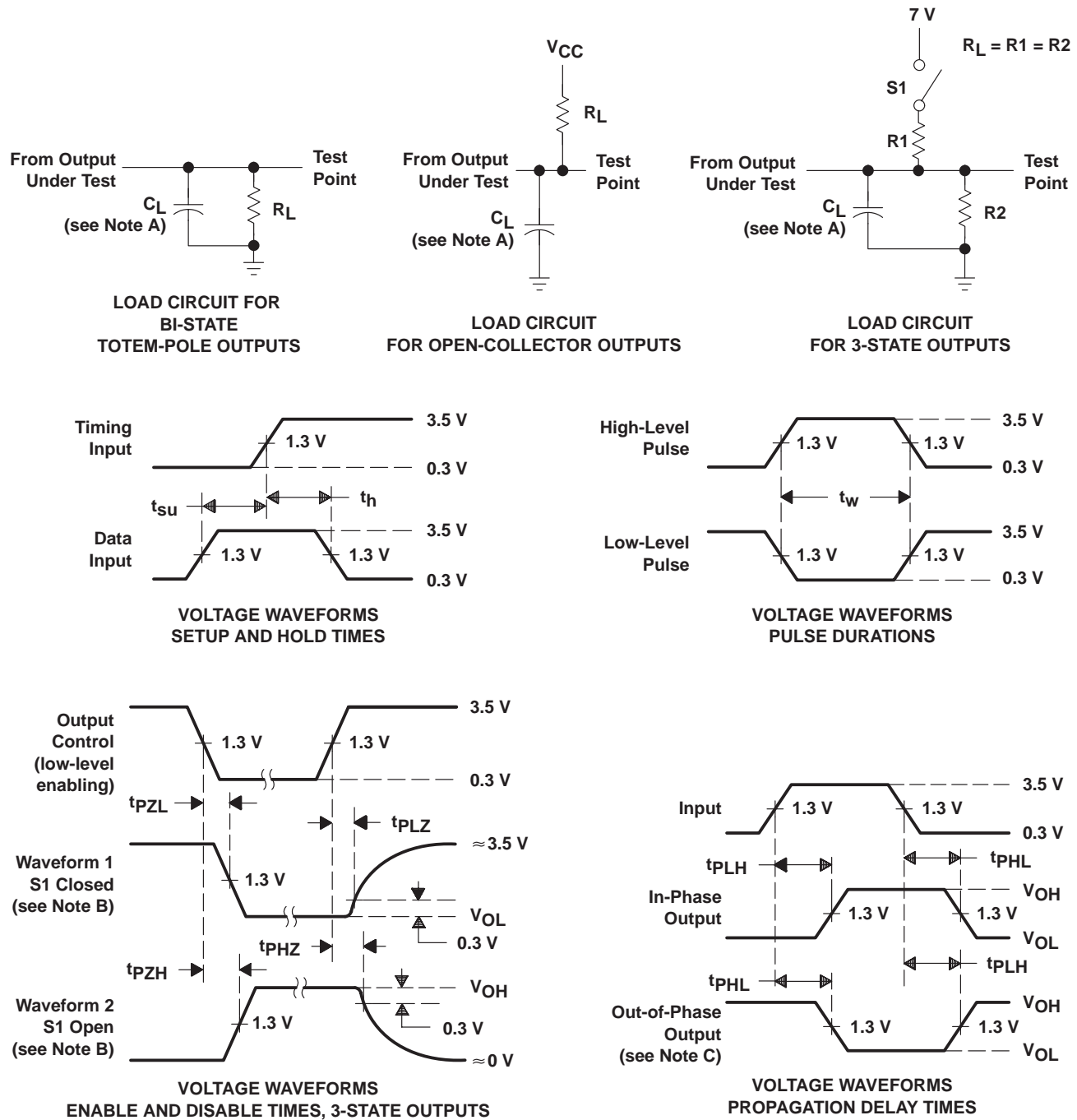
† For conditions shown as MIN or MAX, use the appropriate value specified under recommended operating conditions.



# SN54ALS109A, SN54AS109A, SN74ALS109A, SN74AS109A DUAL J-K POSITIVE-EDGE-TRIGGERED FLIP-FLOPS WITH CLEAR AND PRESET

SDAS198B – APRIL 1982 – REVISED AUGUST 1995

## PARAMETER MEASUREMENT INFORMATION SERIES 54ALS/74ALS AND 54AS/74AS DEVICES



- NOTES: A.  $C_L$  includes probe and jig capacitance.  
 B. Waveform 1 is for an output with internal conditions such that the output is low except when disabled by the output control. Waveform 2 is for an output with internal conditions such that the output is high except when disabled by the output control.  
 C. When measuring propagation delay items of 3-state outputs, switch S1 is open.  
 D. All input pulses have the following characteristics:  $PRR \leq 1$  MHz,  $t_r = t_f = 2$  ns, duty cycle = 50%.  
 E. The outputs are measured one at a time with one transition per measurement.

Figure 1. Load Circuits and Voltage Waveforms



**PACKAGING INFORMATION**

| Orderable Device | Status <sup>(1)</sup> | Package Type | Package Drawing | Pins | Package Qty | Eco Plan <sup>(2)</sup>    | Lead/<br>Ball Finish | MSL Peak Temp <sup>(3)</sup> | Samples<br>(Requires Login)      |
|------------------|-----------------------|--------------|-----------------|------|-------------|----------------------------|----------------------|------------------------------|----------------------------------|
| 84000012A        | ACTIVE                | LCCC         | FK              | 20   | 1           | TBD                        | POST-PLATE           | N / A for Pkg Type           | <a href="#">Purchase Samples</a> |
| 8400001EA        | ACTIVE                | CDIP         | J               | 16   | 1           | TBD                        | A42                  | N / A for Pkg Type           | <a href="#">Purchase Samples</a> |
| 8400001FA        | OBSOLETE              | CFP          | W               | 16   |             | TBD                        | Call TI              | Call TI                      | Samples Not Available            |
| JM38510/37102B2A | ACTIVE                | LCCC         | FK              | 20   | 1           | TBD                        | POST-PLATE           | N / A for Pkg Type           | <a href="#">Purchase Samples</a> |
| JM38510/37102BEA | ACTIVE                | CDIP         | J               | 16   | 1           | TBD                        | A42                  | N / A for Pkg Type           | <a href="#">Purchase Samples</a> |
| SN54ALS109AJ     | ACTIVE                | CDIP         | J               | 16   | 1           | TBD                        | A42                  | N / A for Pkg Type           | <a href="#">Purchase Samples</a> |
| SN74ALS109AD     | ACTIVE                | SOIC         | D               | 16   | 40          | Green (RoHS<br>& no Sb/Br) | CU NIPDAU            | Level-1-260C-UNLIM           | <a href="#">Purchase Samples</a> |
| SN74ALS109ADE4   | ACTIVE                | SOIC         | D               | 16   | 40          | Green (RoHS<br>& no Sb/Br) | CU NIPDAU            | Level-1-260C-UNLIM           | <a href="#">Purchase Samples</a> |
| SN74ALS109ADG4   | ACTIVE                | SOIC         | D               | 16   | 40          | Green (RoHS<br>& no Sb/Br) | CU NIPDAU            | Level-1-260C-UNLIM           | <a href="#">Purchase Samples</a> |
| SN74ALS109ADR    | ACTIVE                | SOIC         | D               | 16   | 2500        | Green (RoHS<br>& no Sb/Br) | CU NIPDAU            | Level-1-260C-UNLIM           | <a href="#">Purchase Samples</a> |
| SN74ALS109ADRE4  | ACTIVE                | SOIC         | D               | 16   | 2500        | Green (RoHS<br>& no Sb/Br) | CU NIPDAU            | Level-1-260C-UNLIM           | <a href="#">Purchase Samples</a> |
| SN74ALS109ADRG4  | ACTIVE                | SOIC         | D               | 16   | 2500        | Green (RoHS<br>& no Sb/Br) | CU NIPDAU            | Level-1-260C-UNLIM           | <a href="#">Purchase Samples</a> |
| SN74ALS109AN     | ACTIVE                | PDIP         | N               | 16   | 25          | Pb-Free (RoHS)             | CU NIPDAU            | N / A for Pkg Type           | <a href="#">Purchase Samples</a> |
| SN74ALS109AN3    | OBSOLETE              | PDIP         | N               | 16   |             | TBD                        | Call TI              | Call TI                      | Samples Not Available            |
| SN74ALS109ANE4   | ACTIVE                | PDIP         | N               | 16   | 25          | Pb-Free (RoHS)             | CU NIPDAU            | N / A for Pkg Type           | <a href="#">Purchase Samples</a> |
| SN74ALS109ANSR   | ACTIVE                | SO           | NS              | 16   | 2000        | Green (RoHS<br>& no Sb/Br) | CU NIPDAU            | Level-1-260C-UNLIM           | <a href="#">Purchase Samples</a> |
| SN74ALS109ANSRE4 | ACTIVE                | SO           | NS              | 16   | 2000        | Green (RoHS<br>& no Sb/Br) | CU NIPDAU            | Level-1-260C-UNLIM           | <a href="#">Purchase Samples</a> |
| SN74ALS109ANSRG4 | ACTIVE                | SO           | NS              | 16   | 2000        | Green (RoHS<br>& no Sb/Br) | CU NIPDAU            | Level-1-260C-UNLIM           | <a href="#">Purchase Samples</a> |
| SN74AS109AD      | ACTIVE                | SOIC         | D               | 16   | 40          | Green (RoHS<br>& no Sb/Br) | CU NIPDAU            | Level-1-260C-UNLIM           | <a href="#">Purchase Samples</a> |
| SN74AS109ADE4    | ACTIVE                | SOIC         | D               | 16   | 40          | Green (RoHS<br>& no Sb/Br) | CU NIPDAU            | Level-1-260C-UNLIM           | <a href="#">Purchase Samples</a> |
| SN74AS109ADG4    | ACTIVE                | SOIC         | D               | 16   | 40          | Green (RoHS<br>& no Sb/Br) | CU NIPDAU            | Level-1-260C-UNLIM           | <a href="#">Purchase Samples</a> |

| Orderable Device | Status <sup>(1)</sup> | Package Type | Package Drawing | Pins | Package Qty | Eco Plan <sup>(2)</sup> | Lead/<br>Ball Finish | MSL Peak Temp <sup>(3)</sup> | Samples<br>(Requires Login)      |
|------------------|-----------------------|--------------|-----------------|------|-------------|-------------------------|----------------------|------------------------------|----------------------------------|
| SN74AS109AN      | ACTIVE                | PDIP         | N               | 16   | 25          | Pb-Free (RoHS)          | CU NIPDAU            | N / A for Pkg Type           | <a href="#">Purchase Samples</a> |
| SN74AS109ANE4    | ACTIVE                | PDIP         | N               | 16   | 25          | Pb-Free (RoHS)          | CU NIPDAU            | N / A for Pkg Type           | <a href="#">Purchase Samples</a> |
| SN74AS109ANSR    | ACTIVE                | SO           | NS              | 16   | 2000        | Green (RoHS & no Sb/Br) | CU NIPDAU            | Level-1-260C-UNLIM           | <a href="#">Purchase Samples</a> |
| SN74AS109ANSRE4  | ACTIVE                | SO           | NS              | 16   | 2000        | Green (RoHS & no Sb/Br) | CU NIPDAU            | Level-1-260C-UNLIM           | <a href="#">Purchase Samples</a> |
| SN74AS109ANSRG4  | ACTIVE                | SO           | NS              | 16   | 2000        | Green (RoHS & no Sb/Br) | CU NIPDAU            | Level-1-260C-UNLIM           | <a href="#">Purchase Samples</a> |
| SNJ54ALS109AFK   | ACTIVE                | LCCC         | FK              | 20   | 1           | TBD                     | POST-PLATE           | N / A for Pkg Type           | <a href="#">Purchase Samples</a> |
| SNJ54ALS109AJ    | ACTIVE                | CDIP         | J               | 16   | 1           | TBD                     | A42                  | N / A for Pkg Type           | <a href="#">Purchase Samples</a> |
| SNJ54AS109AFK    | ACTIVE                | LCCC         | FK              | 20   | 1           | TBD                     | POST-PLATE           | N / A for Pkg Type           | <a href="#">Purchase Samples</a> |
| SNJ54AS109AJ     | ACTIVE                | CDIP         | J               | 16   | 1           | TBD                     | A42                  | N / A for Pkg Type           | <a href="#">Purchase Samples</a> |

<sup>(1)</sup> The marketing status values are defined as follows:

**ACTIVE:** Product device recommended for new designs.

**LIFEBUY:** TI has announced that the device will be discontinued, and a lifetime-buy period is in effect.

**NRND:** Not recommended for new designs. Device is in production to support existing customers, but TI does not recommend using this part in a new design.

**PREVIEW:** Device has been announced but is not in production. Samples may or may not be available.

**OBSOLETE:** TI has discontinued the production of the device.

<sup>(2)</sup> Eco Plan - The planned eco-friendly classification: Pb-Free (RoHS), Pb-Free (RoHS Exempt), or Green (RoHS & no Sb/Br) - please check <http://www.ti.com/productcontent> for the latest availability information and additional product content details.

**TBD:** The Pb-Free/Green conversion plan has not been defined.

**Pb-Free (RoHS):** TI's terms "Lead-Free" or "Pb-Free" mean semiconductor products that are compatible with the current RoHS requirements for all 6 substances, including the requirement that lead not exceed 0.1% by weight in homogeneous materials. Where designed to be soldered at high temperatures, TI Pb-Free products are suitable for use in specified lead-free processes.

**Pb-Free (RoHS Exempt):** This component has a RoHS exemption for either 1) lead-based flip-chip solder bumps used between the die and package, or 2) lead-based die adhesive used between the die and leadframe. The component is otherwise considered Pb-Free (RoHS compatible) as defined above.

**Green (RoHS & no Sb/Br):** TI defines "Green" to mean Pb-Free (RoHS compatible), and free of Bromine (Br) and Antimony (Sb) based flame retardants (Br or Sb do not exceed 0.1% by weight in homogeneous material)

<sup>(3)</sup> MSL, Peak Temp. -- The Moisture Sensitivity Level rating according to the JEDEC industry standard classifications, and peak solder temperature.

**Important Information and Disclaimer:** The information provided on this page represents TI's knowledge and belief as of the date that it is provided. TI bases its knowledge and belief on information provided by third parties, and makes no representation or warranty as to the accuracy of such information. Efforts are underway to better integrate information from third parties. TI has taken and continues to take reasonable steps to provide representative and accurate information but may not have conducted destructive testing or chemical analysis on incoming materials and chemicals. TI and TI suppliers consider certain information to be proprietary, and thus CAS numbers and other limited information may not be available for release.

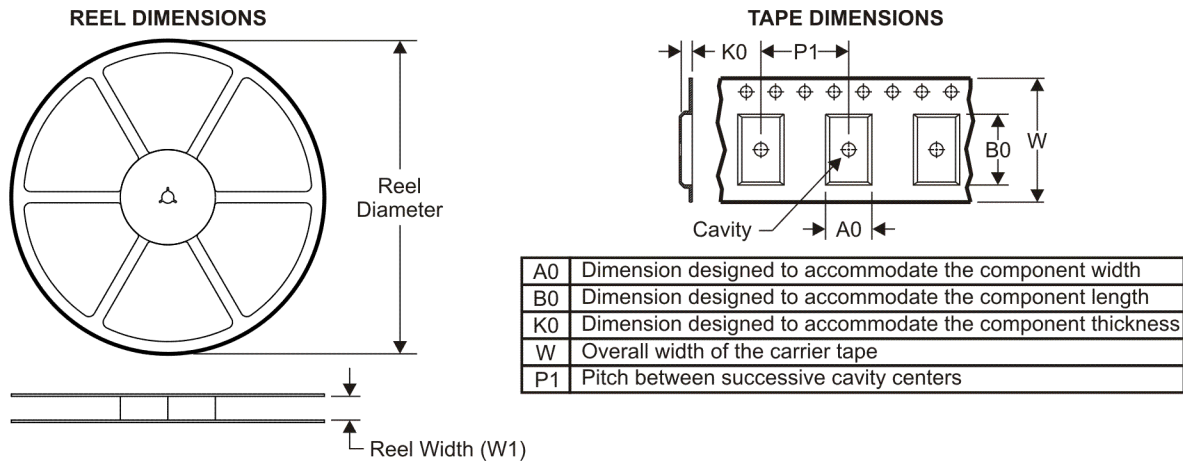
In no event shall TI's liability arising out of such information exceed the total purchase price of the TI part(s) at issue in this document sold by TI to Customer on an annual basis.

**OTHER QUALIFIED VERSIONS OF SN54ALS109A, SN54AS109A, SN74ALS109A, SN74AS109A :**

- Catalog: [SN74ALS109A](#), [SN74AS109A](#)
- Military: [SN54ALS109A](#), [SN54AS109A](#)

NOTE: Qualified Version Definitions:

- Catalog - TI's standard catalog product
- Military - QML certified for Military and Defense Applications

**TAPE AND REEL INFORMATION**

**QUADRANT ASSIGNMENTS FOR PIN 1 ORIENTATION IN TAPE**


\*All dimensions are nominal

| Device         | Package Type | Package Drawing | Pins | SPQ  | Reel Diameter (mm) | Reel Width W1 (mm) | A0 (mm) | B0 (mm) | K0 (mm) | P1 (mm) | W (mm) | Pin1 Quadrant |
|----------------|--------------|-----------------|------|------|--------------------|--------------------|---------|---------|---------|---------|--------|---------------|
| SN74ALS109ADR  | SOIC         | D               | 16   | 2500 | 330.0              | 16.4               | 6.5     | 10.3    | 2.1     | 8.0     | 16.0   | Q1            |
| SN74ALS109ANSR | SO           | NS              | 16   | 2000 | 330.0              | 16.4               | 8.2     | 10.5    | 2.5     | 12.0    | 16.0   | Q1            |
| SN74AS109ANSR  | SO           | NS              | 16   | 2000 | 330.0              | 16.4               | 8.2     | 10.5    | 2.5     | 12.0    | 16.0   | Q1            |

**TAPE AND REEL BOX DIMENSIONS**


\*All dimensions are nominal

| Device         | Package Type | Package Drawing | Pins | SPQ  | Length (mm) | Width (mm) | Height (mm) |
|----------------|--------------|-----------------|------|------|-------------|------------|-------------|
| SN74ALS109ADR  | SOIC         | D               | 16   | 2500 | 333.2       | 345.9      | 28.6        |
| SN74ALS109ANSR | SO           | NS              | 16   | 2000 | 346.0       | 346.0      | 33.0        |
| SN74AS109ANSR  | SO           | NS              | 16   | 2000 | 346.0       | 346.0      | 33.0        |

J (R-GDIP-T\*\*)

14 LEADS SHOWN

CERAMIC DUAL IN-LINE PACKAGE



| DIM \ PINS ** | 14                     | 16                     | 18                     | 20                     |
|---------------|------------------------|------------------------|------------------------|------------------------|
| A             | 0.300<br>(7,62)<br>BSC | 0.300<br>(7,62)<br>BSC | 0.300<br>(7,62)<br>BSC | 0.300<br>(7,62)<br>BSC |
| B MAX         | 0.785<br>(19,94)       | .840<br>(21,34)        | 0.960<br>(24,38)       | 1.060<br>(26,92)       |
| B MIN         | —                      | —                      | —                      | —                      |
| C MAX         | 0.300<br>(7,62)        | 0.300<br>(7,62)        | 0.310<br>(7,87)        | 0.300<br>(7,62)        |
| C MIN         | 0.245<br>(6,22)        | 0.245<br>(6,22)        | 0.220<br>(5,59)        | 0.245<br>(6,22)        |



4040083/F 03/03

- NOTES:
- All linear dimensions are in inches (millimeters).
  - This drawing is subject to change without notice.
  - This package is hermetically sealed with a ceramic lid using glass frit.
  - Index point is provided on cap for terminal identification only on press ceramic glass frit seal only.
  - Falls within MIL STD 1835 GDIP1-T14, GDIP1-T16, GDIP1-T18 and GDIP1-T20.

W (R-GDFP-F16)

CERAMIC DUAL FLATPACK



4040180-3/D 07/03

- NOTES:
- A. All linear dimensions are in inches (millimeters).
  - B. This drawing is subject to change without notice.
  - C. This package can be hermetically sealed with a ceramic lid using glass frit.
  - D. Index point is provided on cap for terminal identification only.
  - E. Falls within MIL STD 1835 GDFP1-F16 and JEDEC MO-092AC

FK (S-CQCC-N\*\*)

LEADLESS CERAMIC CHIP CARRIER

28 TERMINAL SHOWN



| NO. OF TERMINALS ** | A                |                  | B                |                  |
|---------------------|------------------|------------------|------------------|------------------|
|                     | MIN              | MAX              | MIN              | MAX              |
| 20                  | 0.342<br>(8,69)  | 0.358<br>(9,09)  | 0.307<br>(7,80)  | 0.358<br>(9,09)  |
| 28                  | 0.442<br>(11,23) | 0.458<br>(11,63) | 0.406<br>(10,31) | 0.458<br>(11,63) |
| 44                  | 0.640<br>(16,26) | 0.660<br>(16,76) | 0.495<br>(12,58) | 0.560<br>(14,22) |
| 52                  | 0.740<br>(18,78) | 0.761<br>(19,32) | 0.495<br>(12,58) | 0.560<br>(14,22) |
| 68                  | 0.938<br>(23,83) | 0.962<br>(24,43) | 0.850<br>(21,6)  | 0.858<br>(21,8)  |
| 84                  | 1.141<br>(28,99) | 1.165<br>(29,59) | 1.047<br>(26,6)  | 1.063<br>(27,0)  |



4040140/D 01/11

- NOTES:
- All linear dimensions are in inches (millimeters).
  - This drawing is subject to change without notice.
  - This package can be hermetically sealed with a metal lid.
  - Falls within JEDEC MS-004

N (R-PDIP-T\*\*)

PLASTIC DUAL-IN-LINE PACKAGE

16 PINS SHOWN



4040049/E 12/2002

- NOTES:
- A. All linear dimensions are in inches (millimeters).
  - B. This drawing is subject to change without notice.
  - $\triangle C$  Falls within JEDEC MS-001, except 18 and 20 pin minimum body length (Dim A).
  - $\triangle D$  The 20 pin end lead shoulder width is a vendor option, either half or full width.

D (R-PDSO-G16)

PLASTIC SMALL OUTLINE



4040047-6/M 06/11

- NOTES:
- A. All linear dimensions are in inches (millimeters).
  - B. This drawing is subject to change without notice.
  -  C. Body length does not include mold flash, protrusions, or gate burrs. Mold flash, protrusions, or gate burrs shall not exceed 0.006 (0,15) each side.
  -  D. Body width does not include interlead flash. Interlead flash shall not exceed 0.017 (0,43) each side.
  - E. Reference JEDEC MS-012 variation AC.

# MECHANICAL DATA

NS (R-PDSO-G\*\*)

PLASTIC SMALL-OUTLINE PACKAGE

14-PINS SHOWN



- NOTES:
- A. All linear dimensions are in millimeters.
  - B. This drawing is subject to change without notice.
  - C. Body dimensions do not include mold flash or protrusion, not to exceed 0,15.

## IMPORTANT NOTICE

Texas Instruments Incorporated and its subsidiaries (TI) reserve the right to make corrections, modifications, enhancements, improvements, and other changes to its products and services at any time and to discontinue any product or service without notice. Customers should obtain the latest relevant information before placing orders and should verify that such information is current and complete. All products are sold subject to TI's terms and conditions of sale supplied at the time of order acknowledgment.

TI warrants performance of its hardware products to the specifications applicable at the time of sale in accordance with TI's standard warranty. Testing and other quality control techniques are used to the extent TI deems necessary to support this warranty. Except where mandated by government requirements, testing of all parameters of each product is not necessarily performed.

TI assumes no liability for applications assistance or customer product design. Customers are responsible for their products and applications using TI components. To minimize the risks associated with customer products and applications, customers should provide adequate design and operating safeguards.

TI does not warrant or represent that any license, either express or implied, is granted under any TI patent right, copyright, mask work right, or other TI intellectual property right relating to any combination, machine, or process in which TI products or services are used. Information published by TI regarding third-party products or services does not constitute a license from TI to use such products or services or a warranty or endorsement thereof. Use of such information may require a license from a third party under the patents or other intellectual property of the third party, or a license from TI under the patents or other intellectual property of TI.

Reproduction of TI information in TI data books or data sheets is permissible only if reproduction is without alteration and is accompanied by all associated warranties, conditions, limitations, and notices. Reproduction of this information with alteration is an unfair and deceptive business practice. TI is not responsible or liable for such altered documentation. Information of third parties may be subject to additional restrictions.

Resale of TI products or services with statements different from or beyond the parameters stated by TI for that product or service voids all express and any implied warranties for the associated TI product or service and is an unfair and deceptive business practice. TI is not responsible or liable for any such statements.

TI products are not authorized for use in safety-critical applications (such as life support) where a failure of the TI product would reasonably be expected to cause severe personal injury or death, unless officers of the parties have executed an agreement specifically governing such use. Buyers represent that they have all necessary expertise in the safety and regulatory ramifications of their applications, and acknowledge and agree that they are solely responsible for all legal, regulatory and safety-related requirements concerning their products and any use of TI products in such safety-critical applications, notwithstanding any applications-related information or support that may be provided by TI. Further, Buyers must fully indemnify TI and its representatives against any damages arising out of the use of TI products in such safety-critical applications.

TI products are neither designed nor intended for use in military/aerospace applications or environments unless the TI products are specifically designated by TI as military-grade or "enhanced plastic." Only products designated by TI as military-grade meet military specifications. Buyers acknowledge and agree that any such use of TI products which TI has not designated as military-grade is solely at the Buyer's risk, and that they are solely responsible for compliance with all legal and regulatory requirements in connection with such use.

TI products are neither designed nor intended for use in automotive applications or environments unless the specific TI products are designated by TI as compliant with ISO/TS 16949 requirements. Buyers acknowledge and agree that, if they use any non-designated products in automotive applications, TI will not be responsible for any failure to meet such requirements.

Following are URLs where you can obtain information on other Texas Instruments products and application solutions:

### Products

|                             |  |
|-----------------------------|--|
| Audio                       | <a href="http://www.ti.com/audio">www.ti.com/audio</a>             |
| Amplifiers                  | <a href="http://amplifier.ti.com">amplifier.ti.com</a>             |
| Data Converters             | <a href="http://dataconverter.ti.com">dataconverter.ti.com</a>     |
| DLP® Products               | <a href="http://www.dlp.com">www.dlp.com</a>                       |
| DSP                         | <a href="http://dsp.ti.com">dsp.ti.com</a>                         |
| Clocks and Timers           | <a href="http://www.ti.com/clocks">www.ti.com/clocks</a>           |
| Interface                   | <a href="http://interface.ti.com">interface.ti.com</a>             |
| Logic                       | <a href="http://logic.ti.com">logic.ti.com</a>                     |
| Power Mgmt                  | <a href="http://power.ti.com">power.ti.com</a>                     |
| Microcontrollers            | <a href="http://microcontroller.ti.com">microcontroller.ti.com</a> |
| RFID                        | <a href="http://www.ti-rfid.com">www.ti-rfid.com</a>               |
| RF/IF and ZigBee® Solutions | <a href="http://www.ti.com/lprf">www.ti.com/lprf</a>               |

### Applications

|                               |  |
|-------------------------------|--|
| Communications and Telecom    | <a href="http://www.ti.com/communications">www.ti.com/communications</a>                 |
| Computers and Peripherals     | <a href="http://www.ti.com/computers">www.ti.com/computers</a>                           |
| Consumer Electronics          | <a href="http://www.ti.com/consumer-apps">www.ti.com/consumer-apps</a>                   |
| Energy and Lighting           | <a href="http://www.ti.com/energy">www.ti.com/energy</a>                                 |
| Industrial                    | <a href="http://www.ti.com/industrial">www.ti.com/industrial</a>                         |
| Medical                       | <a href="http://www.ti.com/medical">www.ti.com/medical</a>                               |
| Security                      | <a href="http://www.ti.com/security">www.ti.com/security</a>                             |
| Space, Avionics and Defense   | <a href="http://www.ti.com/space-avionics-defense">www.ti.com/space-avionics-defense</a> |
| Transportation and Automotive | <a href="http://www.ti.com/automotive">www.ti.com/automotive</a>                         |
| Video and Imaging             | <a href="http://www.ti.com/video">www.ti.com/video</a>                                   |
| Wireless                      | <a href="http://www.ti.com/wireless-apps">www.ti.com/wireless-apps</a>                   |

TI E2E Community Home Page

[e2e.ti.com](http://e2e.ti.com)

Mailing Address: Texas Instruments, Post Office Box 655303, Dallas, Texas 75265  
Copyright © 2011, Texas Instruments Incorporated